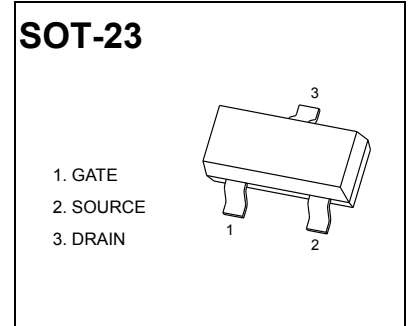


SOT-23 Plastic-Encapsulate MOSFETS

30V N-Channel Enhancement Mode Field Effect Transistor

$V_{(BR)DSS}$	$R_{DS(on)}$ Typ	I_D
30V	24mΩ @ 10V	5.0A
	28mΩ @ 4.5V	



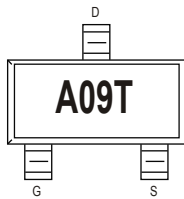
FEATURE

High dense cell design for extremely low RDS(ON)
Exceptional on-resistance and maximum DC current capability

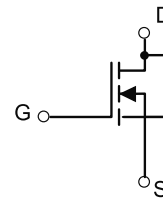
APPLICATION

- Load Switch for Portable Devices
- DC/DC Converter

MARKING



Equivalent circuit



PACKAGE SPECIFICATIONS

Package	Reel Size	Reel DIA. (mm)	Q'TY/Reel (pcs)	Box Size (mm)	QTY/Box (pcs)	Carton Size (mm)	Q'TY/Carton (pcs)
SOT-23	7'	330	3000	203×203×195	45000	438×438×220	180000

MAXIMUM RATINGS ($T_a=25^\circ\text{C}$ unless otherwise noted)

Parameter	Symbol	Limit	Unit	
Drain-Source Breakdown Voltage	$V_{(BR)DSS}$	30	V	
Gate-Source Voltage	V_{GS}	±12		
Continuous Drain Current	I_D	$T_A=25^\circ\text{C}$	5.0	A
		$T_A=70^\circ\text{C}$	4.1	
Maximum Power Dissipation ²⁾	P_D	$T_A=25^\circ\text{C}$	1.5	W
		$T_A=70^\circ\text{C}$	0.9	
Pulsed Drain Current ¹⁾	I_{DM}	20	A	
Operating Junction and Storage Temperature Range	T_J	150	°C	
Storage Temperature Range	T_{stg}	-50 to 150	°C	
Thermal Resistance Junction-Ambient	$R_{\theta JA}$	100	°C/W	

Notes

- 1) Pulse width limited by maximum junction temperature.
- 2) Surface Mounted on FR4 Board, $t \leq 5$ sec.
- 3) The above data are for reference only.



MOSFET ELECTRICAL CHARACTERISTICS

T_a=25 °C unless otherwise specified

Parameter	Symbol	Test Condition	Min	Typ	Max	Units
Off Characteristics						
Drain-source breakdown voltage	V _{(BR)DSS}	V _{GS} = 0V, I _D =250uA	30			V
Zero gate voltage drain current	I _{DSS}	V _{DS} =30V, V _{GS} = 0V			1	uA
	I _{DSS}	V _{DS} =24V, V _{GS} = 0V			100	uA
Gate-source leakage current	I _{GSS}	V _{GS} =±12V, V _{DS} = 0V			±100	nA
On characteristics						
Drain-source on-resistance (note 3)	R _{DS(on)}	V _{GS} =10V, I _D =5A		24	30	m
		V _{GS} =4.5V, I _D =4A		28	35	m
		V _{GS} =3.3V, I _D =2A		33	45	m
Forward tranconductance	g _{FS}	V _{DS} =5V, I _D =5A	8			S
Gate threshold voltage	V _{GS(th)}	V _{DS} =V _{GS} , I _D =250uA	0.5	0.8	1.2	V
Dynamic Characteristics (note 4)						
Input capacitance	C _{iss}	V _{DS} =15V, V _{GS} =0V, f =1MHz		490		pF
Output capacitance	C _{oss}			51		pF
Reverse transfer capacitance	C _{rss}			43		pF
Total Gate Charge	Q _g	V _{DS} =15V I _D =5A, V _{GS} =4.5V		6.2		nC
Gate Source Charge	Q _{gs}			0.9		nC
Gate Drain Charge	Q _{gd}			2		nC
Switching Characteristics (note 4)						
Turn-on delay time	t _{d(on)}	V _{DD} =15V, I _D =5A, R _G =3.3Ω, V _{GS} =4.5V		6.5		ns
Turn-on rise time	t _r			15		ns
Turn-off delay time	t _{d(off)}			32		ns
Turn-off fall time	t _f			4		ns
Drain-source diode characteristics and maximum ratings						
Source drain current(Body Diode)	I _{SD}	T _A =25 °C			1.5	A
Diode forward voltage (note 3)	V _{SD}	I _S =4A, V _{GS} =0V		0.81	1.2	V

Note :

1. Repetitive Rating : Pulse width limited by maximum junction temperature.
2. Surface Mounted on FR4 Board, t ≤ 5 sec.
3. Pulse Test : Pulse Width≤300μs, Duty Cycle ≤ 2%.
4. Guaranteed by design, not subject to production testing.

Typical Characteristics

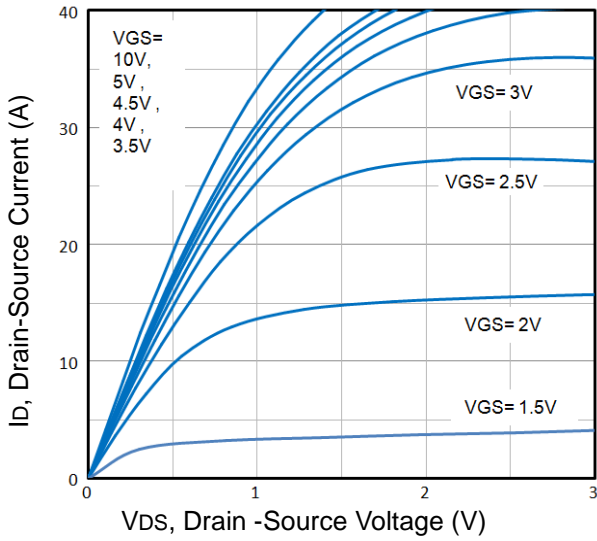


Fig1. Typical Output Characteristics

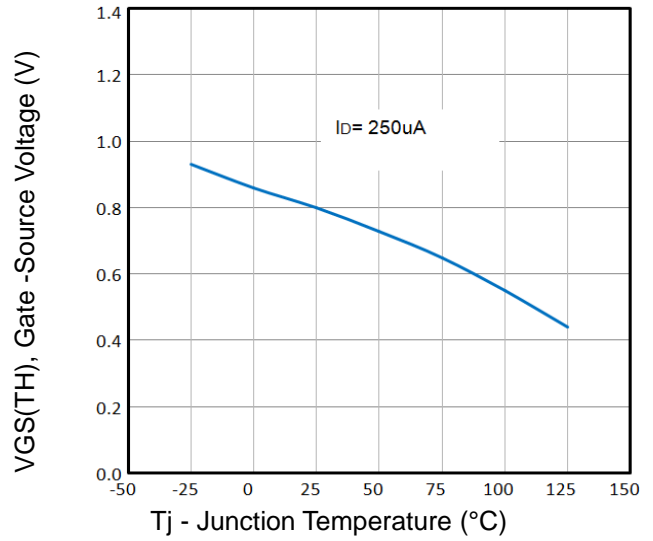


Fig2. Normalized Threshold Voltage Vs. Temperature

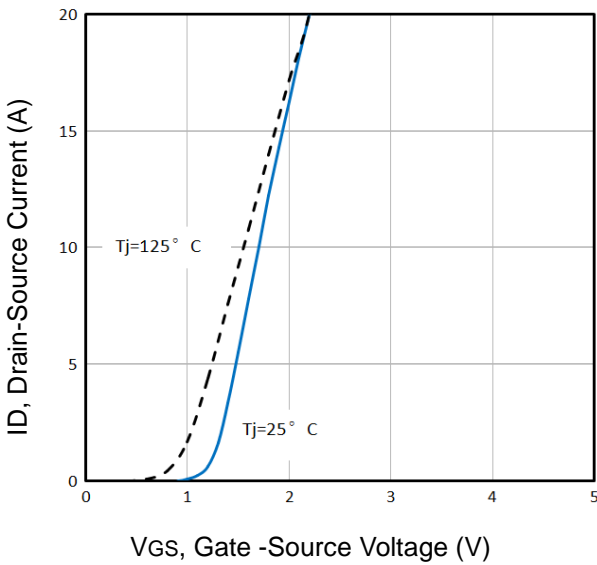


Fig3. Typical Transfer Characteristics

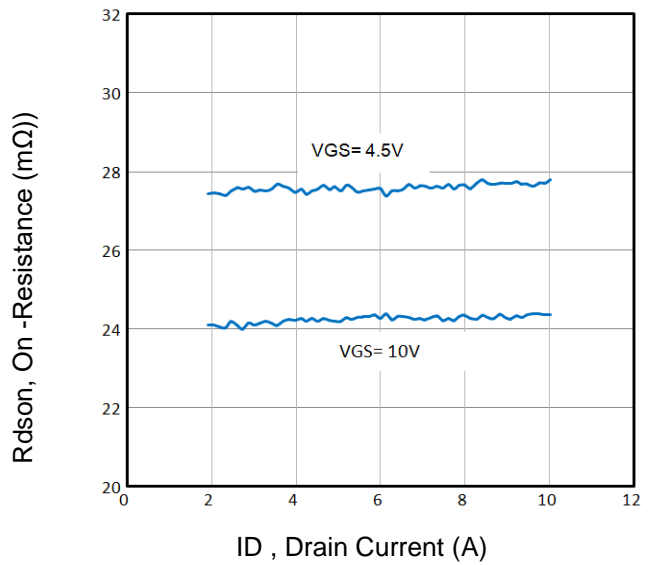


Fig4. On-Resistance vs. Drain Current and VGS

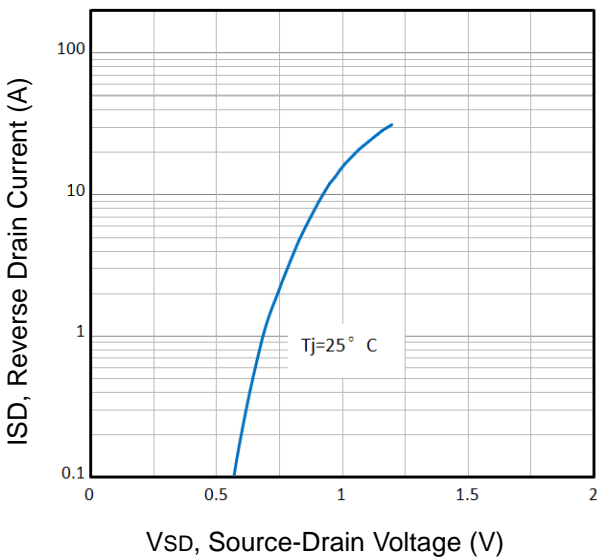


Fig5. Typical Source-Drain Diode Forward Voltage

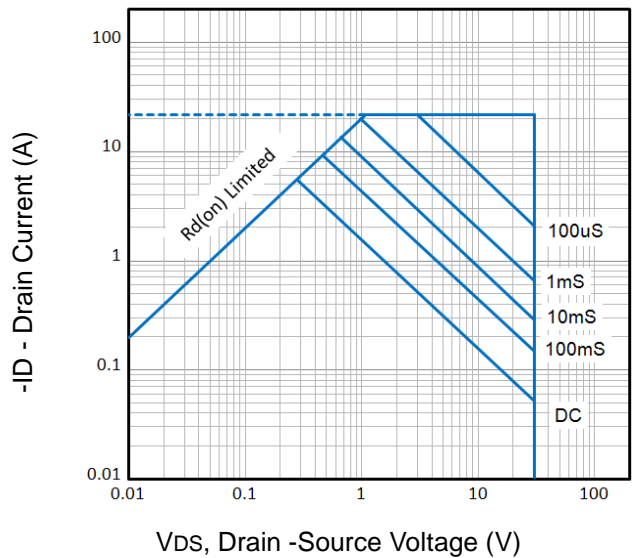


Fig6. Maximum Safe Operating Area

The curve above is for reference only.

Typical Characteristics

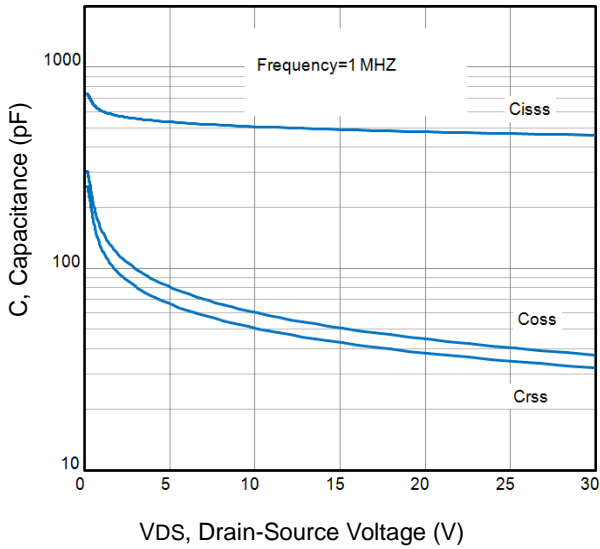


Fig7. Typical Capacitance Vs. Drain-Source Voltage

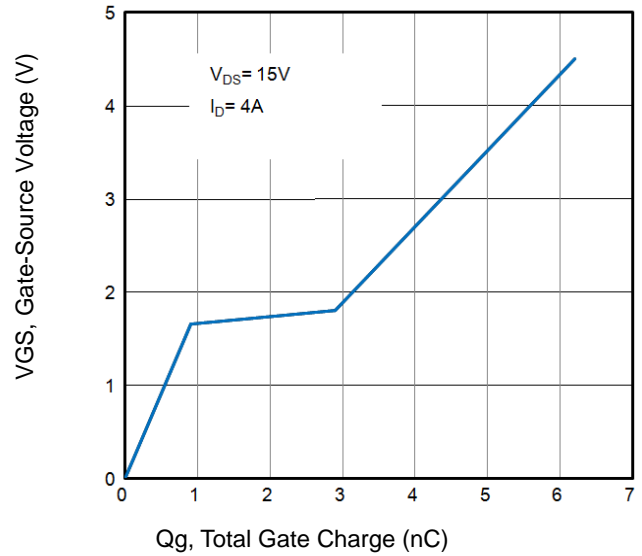


Fig8. Typical Gate Charge Vs. Gate-Source Voltage

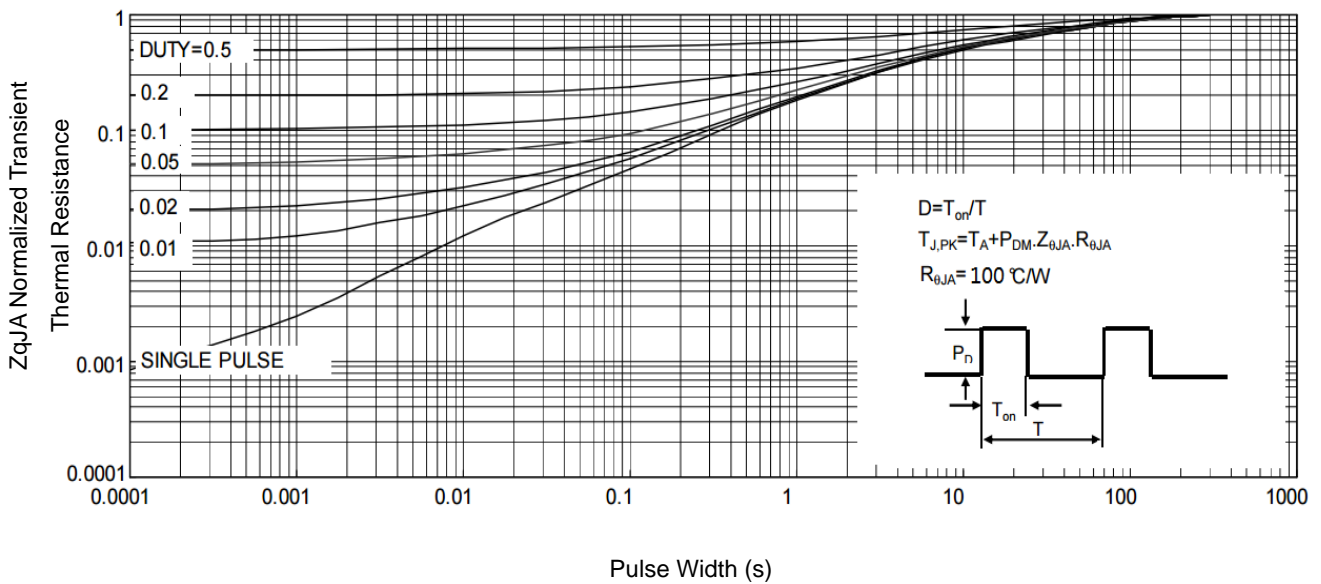


Fig9. Normalized Maximum Transient Thermal Impedance

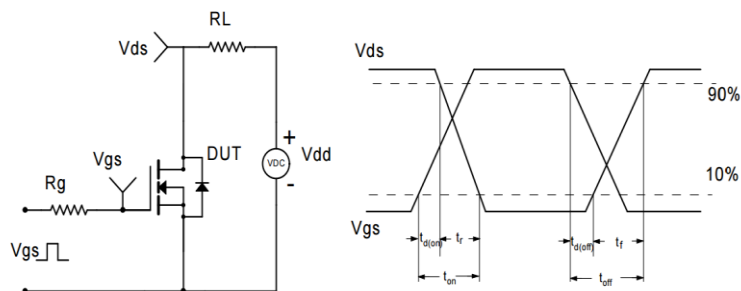
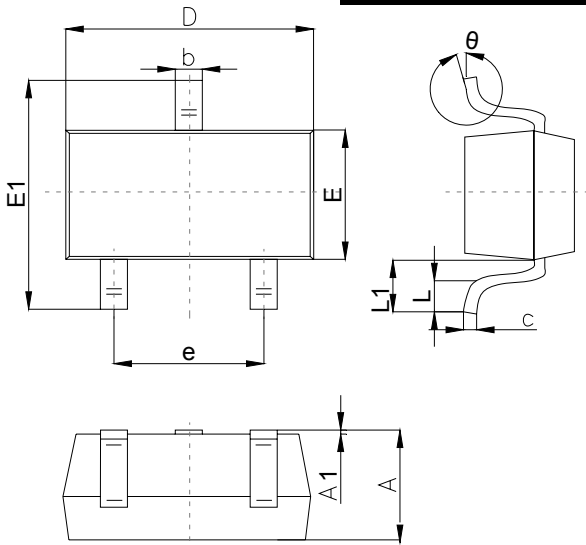
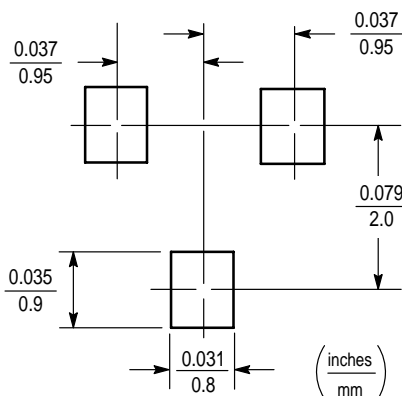


Fig10. Switching Time Test Circuit and waveforms

The curve above is for reference only.

Outline Drawing
SOT-23 Package Outline Dimensions


Symbol	Dimensions In Millimeters		
	Min	Typ	Max
A	1.00		1.40
A1			0.10
b	0.35		0.50
c	0.10		0.20
D	2.70	2.90	3.10
E	1.40		1.60
E1	2.4		2.80
e		1.90	
L	0.10		0.30
L1	0.4		
θ	0°		10°

Suggested Pad Layout

Note:

1. Controlling dimension: in/millimeters.
2. General tolerance: $\pm 0.05\text{mm}$.
3. The pad layout is for reference purposes only.

Important Notice and Disclaimer

Microdiode Electronics (Jiangsu) reserves the right to make changes to this document and its products and specifications at any time without notice. Customers should obtain and confirm the latest product information and specifications before final design, purchase or use.

Microdiode Electronics (Jiangsu) makes no warranty, representation or guarantee regarding the suitability of its products for any particular purpose, nor does Microdiode Electronics (Jiangsu) assume any liability for application assistance or customer product design. Microdiode Electronics (Jiangsu) does not warrant or accept any liability with products which are purchased or used for any unintended or unauthorized application.

No license is granted by implication or otherwise under any intellectual property rights of Microdiode Electronics (Jiangsu).

Microdiode Electronics (Jiangsu) products are not authorized for use as critical components in life support devices or systems without express written approval of Microdiode Electronics (Jiangsu).

X-ON Electronics

Largest Supplier of Electrical and Electronic Components

Click to view similar products for [MOSFET](#) category:

Click to view products by [Microdiode Electronics](#) manufacturer:

Other Similar products are found below :

[614233C](#) [648584F](#) [IRFD120](#) [IRFF430](#) [JANTX2N5237](#) [2N7000](#) [FCA20N60_F109](#) [FDZ595PZ](#) [AOD464](#) [2SK2267\(Q\)](#) [2SK2545\(Q,T\)](#)
[405094E](#) [423220D](#) [MIC4420CM-TR](#) [VN1206L](#) [614234A](#) [715780A](#) [SSM6J414TU,LF\(T](#) [751625C](#) [PSMN4R2-30MLD](#)
[TK31J60W5,S1VQ\(O](#) [2SK2614\(TE16L1,Q\)](#) [DMN1017UCP3-7](#) [EFC2J004NUZTDG](#) [FCAB21350L1](#) [P85W28HP2F-7071](#) [DMN1053UCP4-7](#)
[NTE2384](#) [NTE2969](#) [NTE6400A](#) [DMN2080UCB4-7](#) [DMN61D9UWQ-13](#) [US6M2GTR](#) [DMN31D5UDJ-7](#) [SSM6P54TU,LF](#) [DMP22D4UFO-](#)
[7B](#) [IPS60R3K4CEAKMA1](#) [DMN1006UCA6-7](#) [DMN16M9UCA6-7](#) [STF5N65M6](#) [STU5N65M6](#) [C3M0021120D](#) [DMN13M9UCA6-7](#)
[BSS340NWH6327XTSA1](#) [MCM3400A-TP](#) [DMTH10H4M6SPS-13](#) [IRF40SC240ARMA1](#) [IPS60R1K0PFD7SAKMA1](#)
[IPS60R360PFD7SAKMA1](#) [IPS60R600PFD7SAKMA1](#)