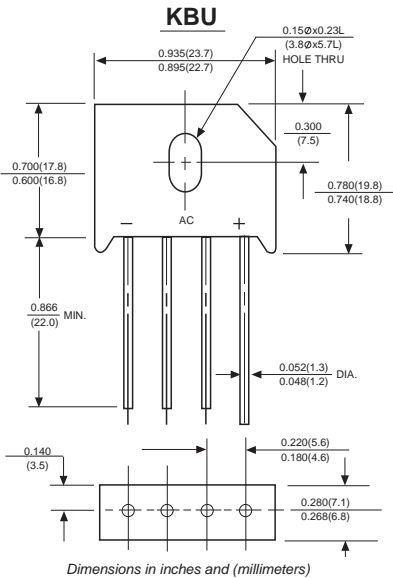




# KBU15005 THRU KBU1510

## SILICON BRIDGE RECTIFIERS

Reverse Voltage - 50 to 1000 Volts Forward Current -15.0 Amperes



### FEATURES

- ◆ The plastic package carries Underwriters Laboratory Flammability Classification 94V-0
- ◆ Ideal for printed circuit boards
- ◆ Low reverse leakage
- ◆ High forward surge current capability
- ◆ High temperature soldering guaranteed:  
260°C/10 seconds, 0.375" (9.5mm) lead length, 5 lbs. (2.3kg) tension

### MECHANICAL DATA

**Case:** Molded plastic body

**Terminals:** Plated leads solderable per MIL-STD-750, Method 2026

**Polarity:** Polarity symbols marked on case

**Mounting:** Thru hole for #6 serew, 5in.-lbs. torque max.

**Weight:** 0.27 ounce, 7.59 grams

### MAXIMUM RATINGS AND ELECTRICAL CHARACTERISTICS

Ratings at 25°C ambient temperature unless otherwise specified.

Single phase half-wave 60Hz, resistive or inductive load, for capacitive load current derate by 20%.

| MDD Catalog Number  | SYMBOLS    | KBU 15005               | KBU 1501 | KBU 1502 | KBU 1504 | KBU 1506 | KBU 1508 | KBU 1510 | UNITS            |
|---|------------|-------------------------|----------|----------|----------|----------|----------|----------|------------------|
| Maximum repetitive peak reverse voltage   | $V_{RRM}$  | 50                      | 100      | 200      | 400      | 600      | 800      | 1000     | VOLTS            |
| Maximum RMS voltage   | $V_{RMS}$  | 35                      | 70       | 140      | 280      | 420      | 560      | 700      | VOLTS            |
| Maximum DC blocking voltage   | $V_{DC}$   | 50                      | 100      | 200      | 400      | 600      | 800      | 1000     | VOLTS            |
| Maximum Average Forward (with heatsink Note 1) Rectified Current @ $T_c=100^\circ\text{C}$ (without heatsink) | $I_{(AV)}$ | 15.0                    |          |          |          |          |          |          | Amps             |
| Peak forward surge current<br>8.3ms single half sine-wave superimposed on rated load (JEDEC Method)           | $I_{FSM}$  | 300.0                   |          |          |          |          |          |          | Amps             |
| Maximum instantaneous forward voltage drop per bridge element at 7.5A   | $V_F$      | 1.0                     |          |          |          |          |          |          | Volts            |
| Maximum DC reverse current<br>at rated DC blocking voltage  | $I_R$      | $T_A=25^\circ\text{C}$  |          |          |          |          |          |          | $\mu\text{A}$    |
|   |            | $T_A=125^\circ\text{C}$ |          |          |          |          |          |          | mA               |
| Operating junction temperature range  | $T_J$      | -55 to +150             |          |          |          |          |          |          | $^\circ\text{C}$ |
| storage temperature range   | $T_{STG}$  | -55 to +150             |          |          |          |          |          |          | $^\circ\text{C}$ |

#### NOTES:

1. Device mounted on 100mm\*100mm\*1.6mm Cu plate heatsink



# RATINGS AND CHARACTERISTIC CURVES KBU15005 THRU KBU1510

FIG.1-MAXIMUM FORWARD SURGE CURRENT

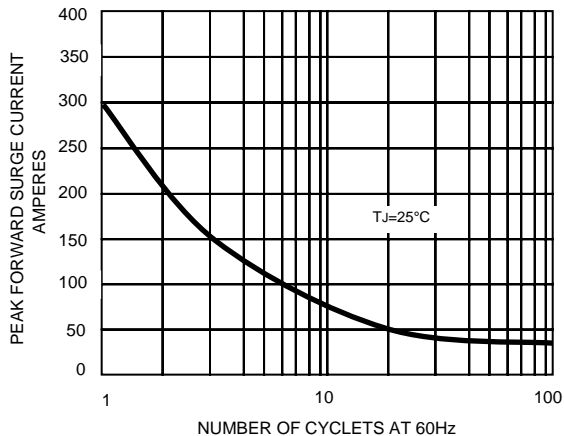


FIG. 2 – DERATING CURVE OUTPUT RECTIFIED CURRENT

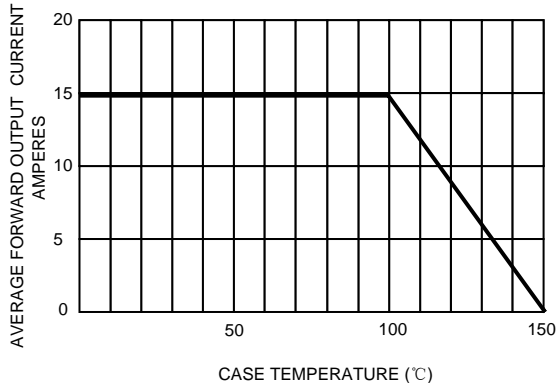


FIG.3- TYPICAL FORWARD CHARACTERISTICS

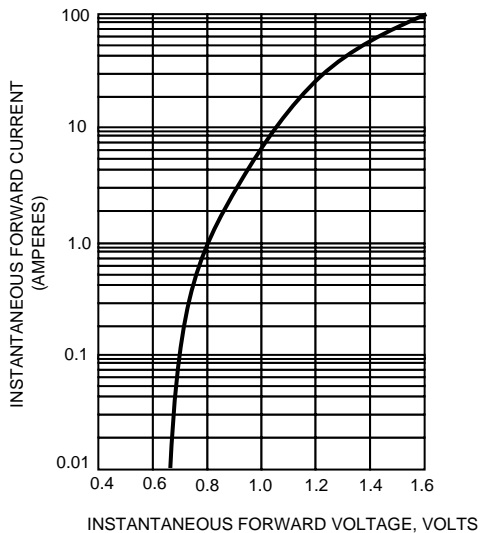
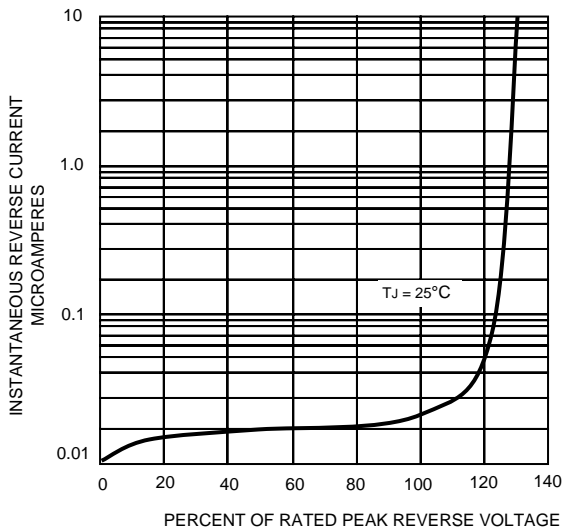


FIG.4- TYPICAL REVERSE CHARACTERISTICS



The cruve graph is for reference only, can't be the basis for judgment(曲线图仅供参考)!



www.microlead.com

## X-ON Electronics

Largest Supplier of Electrical and Electronic Components

*Click to view similar products for [Bridge Rectifiers](#) category:*

*Click to view products by [Microdiode Electronics](#) manufacturer:*

Other Similar products are found below :

[MB252](#) [MB356G](#) [MB358G](#) [MP358-BP](#) [90MT160KPBF](#) [GBJ1504-BP](#) [GBU10B-BP](#) [GBU15J-BP](#) [GBU15K-BP](#) [GBU4A-BP](#) [GBU4D-BP](#)  
[GSIB680-E3/45](#) [DB101-BP](#) [DBA150G](#) [DBA250G](#) [DBD10G-TM-E](#) [DBF10G](#) [DBG150G](#) [DBG250G](#) [DF01](#) [DF10SA-E345](#) [BU1508-E3/45](#)  
[BU1510-E3/45](#) [KBPC50-10S](#) [RS405GL-BP](#) [26MT120](#) [G5SBA60-E3/51](#) [GBJ1502-BP](#) [GBU10J-BP](#) [GBU4J-BP](#) [GBU6M](#) [GBU8D-BP](#)  
[GBU8J-BP](#) [GSIB1520-E3/45](#) [TB102M](#) [MB1510](#) [MB6M-G](#) [MB86](#) [TL401G](#) [MDA920A2](#) [TU602](#) [TU810](#) [MP501W-BP](#) [MP502-BP](#)  
[BR1005-BP](#) [BR101-BP](#) [BR84DTP204](#) [BU1010A-E3/51](#) [BU1508-E3/51](#) [BU2006-E3/45](#)