



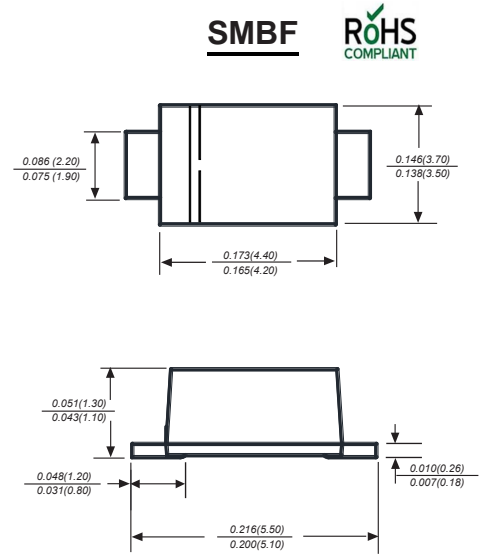
RS3ABF THRU RS3MBF

Reverse Voltage - 50 to 1000 Volts Forward Current - 3.0 Ampere

SURFACE MOUNT FAST RECOVERY RECTIFIER

Features

- ◆ The plastic package carries Underwriters Laboratory Flammability Classification 94V-0
- ◆ For surface mounted applications
- ◆ Fast switching for high efficiency
- ◆ Low reverse leakage
- ◆ Built-in strain relief, ideal for automated placement
- ◆ High forward surge current capability
- ◆ High temperature soldering guaranteed:
260°C/10 seconds at terminals
Glass passivated chip junction



Dimensions in inches and (millimeters)

Mechanical Data

Case : JEDEC SMBF Molded plastic body

Terminals : Solder plated, solderable per MIL-STD-750, Method 2026

Polarity : Polarity symbol marking on body

Mounting Position : Any

Weight : 0.002ounce, 0.057 grams

Maximum Ratings And Electrical Characteristics

Ratings at 25°C ambient temperature unless otherwise specified.

Single phase half-wave 60Hz, resistive or inductive load, for capacitive load current derate by 20%.

| Parameter | SYMBOLS | RS3ABF | RS3BBF | RS3DBF | RS3GBF | RS3JBF | RS3KBF | RS3MBF | UNITS |
|---|-----------------|-------------|-------------|-------------|-------------|-------------|-------------|-------------|---------------------------|
| | | MDD R3AB | MDD R3BB | MDD R3DB | MDD R3GB | MDD R3JB | MDD R3KB | MDD R3MB | |
| Maximum repetitive peak reverse voltage | V_{RRM} | 50 | 100 | 200 | 400 | 600 | 800 | 1000 | V |
| Maximum RMS voltage | V_{RMS} | 35 | 70 | 140 | 280 | 420 | 560 | 700 | V |
| Maximum DC blocking voltage | V_{DC} | 50 | 100 | 200 | 400 | 600 | 800 | 1000 | V |
| Maximum average forward rectified current at $T_L=125^\circ\text{C}$ | $I_{(AV)}$ | 3.0 | | | | | | | A |
| Peak forward surge current 8.3ms single half sine-wave superimposed on rated load (JEDEC Method) | I_{FSM} | 80 | | | | | | | A |
| Maximum instantaneous forward voltage at 3.0A | V_F | 1.30 | | | | | | | V |
| Maximum DC reverse current $T_A=25^\circ\text{C}$ at rated DC blocking voltage $T_A=125^\circ\text{C}$ | I_R | 5.0 100 | | | | | | | μA |
| Maximum reverse recovery time (NOTE 1) | t_{rr} | 150 | | | 250 | | 500 | | ns |
| Typical junction capacitance (NOTE 2) | C_J | 40 | | | | | | | pF |
| Typical thermal resistance (NOTE 3) | $R_{\theta JA}$ | 45 | | | | | | | $^\circ\text{C}/\text{W}$ |
| | $R_{\theta JC}$ | 15 | | | | | | | |
| Operating junction and storage temperature range | T_J, T_{STG} | -55 to +150 | | | | | | | $^\circ\text{C}$ |

Note: 1. Reverse recovery condition $I_F=0.5\text{A}, I_R=1.0\text{A}, t_{rr}=0.25\text{A}$
2. Measured at 1MHz and applied reverse voltage of 4.0V D.C.
3. P.C.B. mounted with 2.0"x2.0" (5.0x5.0cm) copper pad areas



Ratings And Characteristic Curves

Fig.1 Maximum Average Forward Current Rating

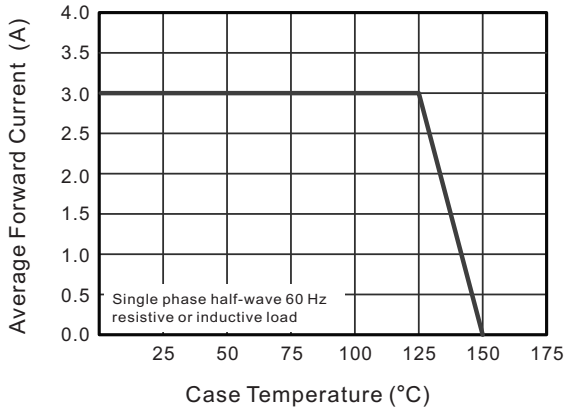


Fig.2 Typical Reverse Characteristics

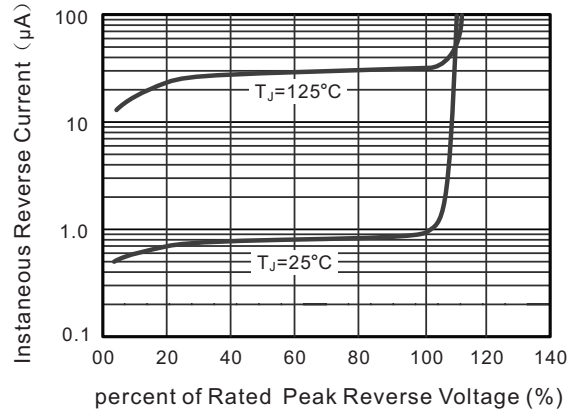


Fig.3 Typical Instantaneous Forward Characteristics

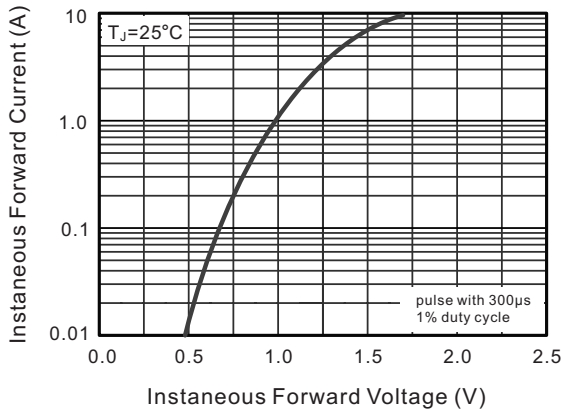


Fig.4 Typical Junction Capacitance

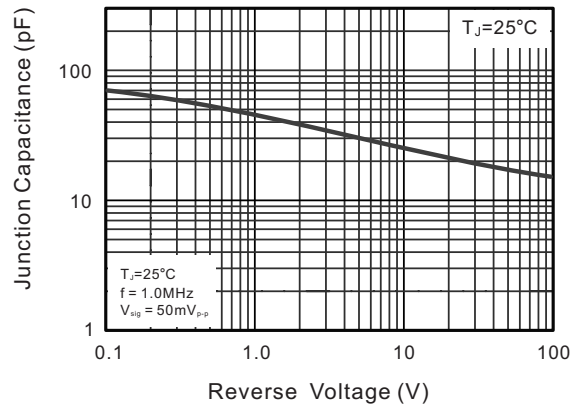
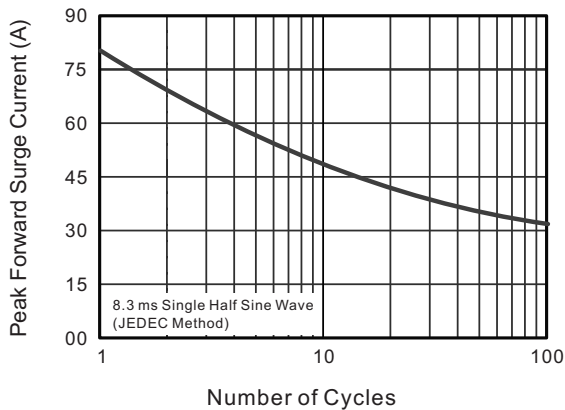


Fig.5 Maximum Non-Repetitive Peak Forward Surge Current



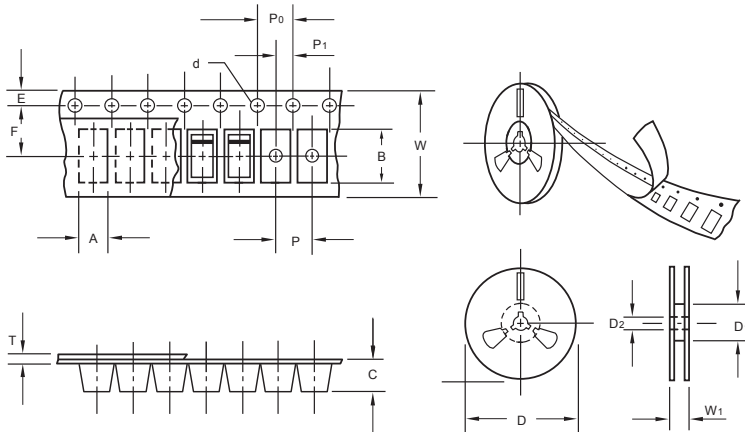
The curve above is for reference only.



RS3ABF THRU RS3MBF

Reverse Voltage - 50 to 1000 Volts Forward Current - 3.0 Ampere

Packing information



unit:mm

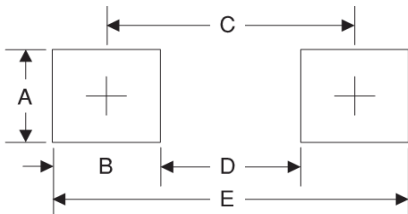
| Item | Symbol | Tolerance | SMBF |
|---------------------------|--------|-----------|--------|
| Carrier width | A | 0.1 | 3.81 |
| Carrier length | B | 0.1 | 5.61 |
| Carrier depth | C | 0.1 | 1.60 |
| Sprocket hole | d | 0.05 | 1.50 |
| 13" Reel outside diameter | D | 2.0 | 330.00 |
| 13" Reel inner diameter | D1 | min | 50.00 |
| Feed hole diameter | D2 | 0.5 | 13.00 |
| Sprocket hole position | E | 0.1 | 1.75 |
| Punch hole position | F | 0.1 | 5.50 |
| Punch hole pitch | P | 0.1 | 4.00 |
| Sprocket hole pitch | P0 | 0.1 | 4.00 |
| Embossment center | P1 | 0.1 | 2.00 |
| Overall tape thickness | T | 0.1 | 0.30 |
| Tape width | W | 0.3 | 12.00 |
| Reel width | W1 | 1.0 | 12.30 |

Note: Devices are packed in accordance with EIA standard RS-481-A and specifications listed above.

Reel packing

| PACKAGE | REEL SIZE | REEL (pcs) | COMPONENT SPACING (mm) | BOX (pcs) | INNER BOX (mm) | REEL DIA, (mm) | CARTON SIZE (mm) | CARTON (pcs) | APPROX. GROSS WEIGHT (kg) |
|---------|-----------|------------|------------------------|-----------|----------------|----------------|------------------|--------------|---------------------------|
| SMBF | 13" | 5,000 | 4.0 | 10,000 | 190*190*41 | 330 | 365*365*360 | 80,000 | 14.0 |

Suggested Pad Layout



| Symbol | Unit (mm) | Unit (inch) |
|--------|-----------|-------------|
| A | 2.54 | 0.100 |
| B | 1.8 | 0.071 |
| C | 4.8 | 0.189 |
| D | 3.0 | 0.118 |
| E | 6.6 | 0.260 |

X-ON Electronics

Largest Supplier of Electrical and Electronic Components

Click to view similar products for [Rectifiers](#) category:

Click to view products by [Microdiode Electronics](#) manufacturer:

Other Similar products are found below :

[70HFR40](#) [FR105 R0](#) [RL252-TP](#) [1N5397](#) [1N4005-TR](#) [1N4007-BP](#) [UFS120Je3/TR13](#) [20ETS12S](#) [RRE02VS6SGTR](#) [MS306](#) [A1N5404G-G](#)
[CRF02\(T5L,TEMQ\)](#) [ACGRB207-HF](#) [CLH07\(TE16L,Q\)](#) [CLH03\(TE16L,Q\)](#) [1N5395-TP](#) [UES1302](#) [ACGRC307-HF](#) [ACEFC304-HF](#) [DZ-](#)
[1380](#) [85HFR60](#) [40HFR60](#) [70HF120](#) [85HFR80](#) [SCF7500](#) [SM100](#) [ACGRA4001-HF](#) [SKN70/08](#) [NTE5819](#) [NTE5827](#) [NTE5828](#) [NTE5911](#)
[NTE5915](#) [NTE6104](#) [NTE6163](#) [NTE6164](#) [NTE6165](#) [NTE6364](#) [TSD3G](#) [SET130312](#) [NRVUS110VT3G](#) [UES1106](#) [UES1306](#)
[NRVUS240VT3G](#) [D5FE60-5063](#) [R4000GPS-TP](#) [D4015L56TP](#) [UES1306HR2](#) [FX20K120](#) [D20XB60-7101](#)