

# Micron StrataFlash Embedded Memory

**MT28GU256AAA1EGC-0SIT, MT28GU256AAA2EGC-0SIT**

**MT28GU512AAA1EGC-0SIT, MT28GU512AAA2EGC-0SIT,**

**MT28GU01GAAA1EGC-0SIT, MT28GU01GAAA2EGC-0SIT**

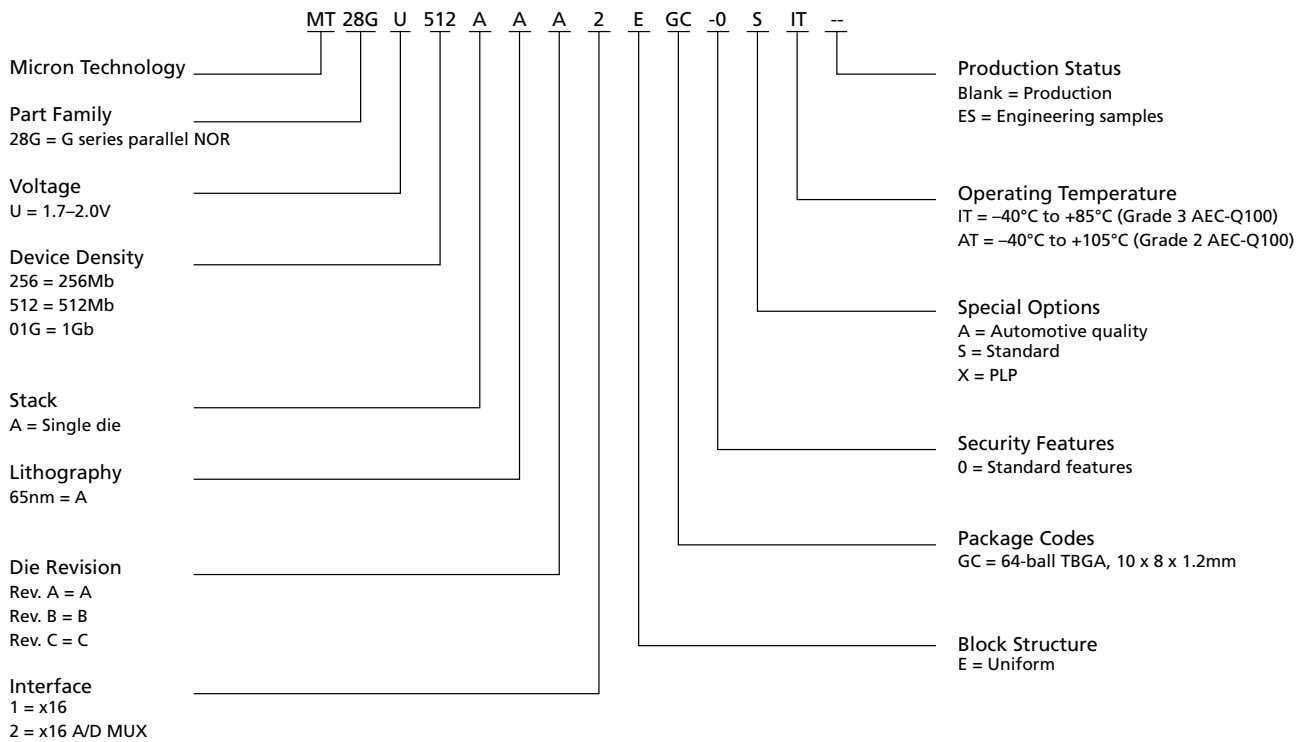
## Features

- High-performance read, program, and erase
  - 96ns initial read access
  - 108 MHz with zero wait-state synchronous burst reads: 7ns clock-to-data output
  - 133 MHz with zero wait-state synchronous burst reads: 5.5ns clock-to-data output
  - 8-, 16-, and continuous-word synchronous-burst reads
  - Programmable WAIT configuration
  - Customer-configurable output driver impedance
  - Buffered Programming: 2.0  $\mu$ s/Word (TYP), 512Mb, 65nm
  - Block erase: 0.9s per block (TYP)
  - 20 $\mu$ s (TYP) program/erase suspend
- Architecture
  - 16-bit wide data bus
  - Multilevel cell technology
  - Symmetrically-blocked array architecture
  - 256KB erase blocks
  - 1Gb device: Eight 128Mb partitions
  - 512Mb device: Eight 64Mb partitions
  - 256Mb device: Eight 32Mb partitions
  - READ-While-PROGRAM and READ-While-ERASE commands
  - Status register for partition/device status
  - Blank check feature
- Temperature Range
  - Expanded temperature: -40°C to +85°C
- JESD47H-compliant
  - Minimum 100,000 ERASE cycles per block
  - Data retention: 20 years (TYP)
- Power
  - Core voltage: 1.7– 2.0V
  - I/O voltage: 1.7–2.0V
  - Standby current: 60 $\mu$ A (TYP) for 512Mb, 65nm
  - Automatic power savings mode
  - 16-word synchronous-burst read current: 23mA (TYP) @ 108 MHz; 24mA (TYP) @ 133 MHz
- Software
  - Micron<sup>®</sup> Flash data integrator (FDI) optimized
  - Basic command set (BCS) and extended command set (ECS) compatible
  - Common Flash interface (CFI) capable
- Security
  - One-time programmable (OTP) space
  - 64 unique factory device identifier bits
  - 2112 user-programmable OTP bits
  - Absolute write protection:  $V_{PP} = GND$
  - Power-transition erase/program lockout
  - Individual zero latency block locking
  - Individual block lock-down
- Density and packaging
  - 256Mb, 512Mb, and 1Gb
  - Address-data multiplexed and non-multiplexed interfaces
  - 64-Ball Easy BGA

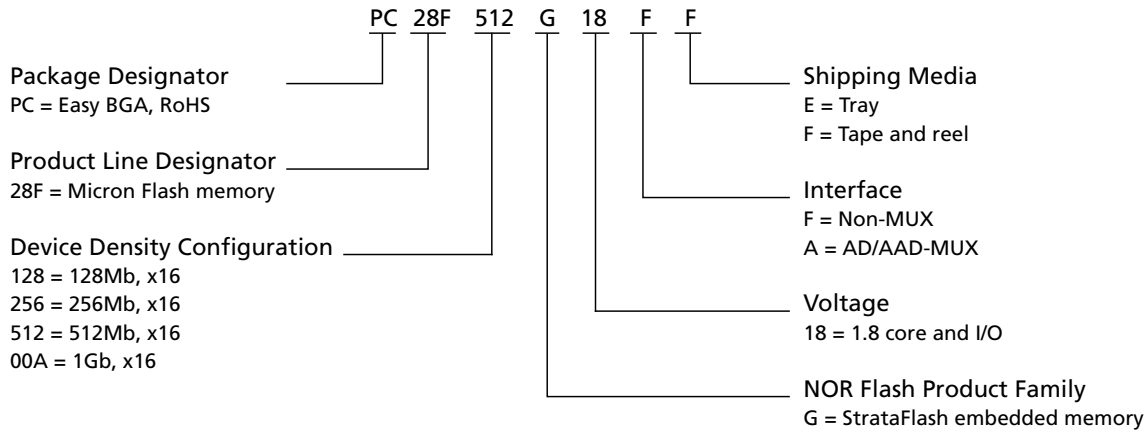
## Part Numbering Information

Available with extended memory block prelocked by Micron. Devices are shipped from the factory with memory content bits erased to 1. For available options, such as packages or high/low protection, or for further information, contact your Micron sales representative. Part numbers can be verified at [www.micron.com](http://www.micron.com). Feature and specification comparison by device type is available at [www.micron.com/products](http://www.micron.com/products). Contact the factory for devices not found.

**Figure 1: Current Part Number Decoder**



**Figure 2: Legacy Part Number Decoder**



**Table 1: Part Number Information**

Note 1 and 2 apply to entire table

Micron Part Number	Legacy Part Number	Density	Interface	Shipping Media
MT28GU256AAA1EGC-0SIT	PC28F256G18FE	256Mb	Non-MUX	Tray
	PC28F256G18FF	256Mb	Non-MUX	Tape and Reel
MT28GU256AAA2EGC-0SIT	PC28F256G18AE	256Mb	AD/AAD-MUX	Tray
	PC28F256G18AF	256Mb	AD/AAD-MUX	Tape and Reel
MT28GU512AAA1EGC-0SIT	PC28F512G18FE	512Mb	Non-MUX	Tray
	PC28F512G18FF	512Mb	Non-MUX	Tape and Reel
MT28GU512AAA2EGC-0SIT	PC28F512G18AE	512Mb	AD/AAD-MUX	Tray
	PC28F512G18AF	512Mb	AD/AAD-MUX	Tape and Reel
MT28GU01GAAA1EGC-0SIT	PC28F00AG18FE	1Gb	Non-MUX	Tray
	PC28F00AG18FF	1Gb	Non-MUX	Tape and Reel
MT28GU01GAAA2EGC-0SIT	PC28F00AG18AE	1Gb	AD/AAD-MUX	Tray
	PC28F00AG18AF	1Gb	AD/AAD-MUX	Tape and Reel

- Notes:
1. New Micron part numbers must be used for all new samples/designs. Legacy part numbers are being discontinued.
  2. Shipping media must be specified at time of order entry for new Micron part numbers.

## Contents

General Description .....	10
Functional Overview .....	10
Configuration and Memory Map .....	11
Device ID .....	14
Package Dimensions .....	15
Signal Assignments .....	16
Signal Descriptions .....	17
Bus Interface .....	19
Reset .....	19
Standby .....	19
Output Disable .....	20
Asynchronous Read .....	20
Synchronous Read .....	20
Burst Wrapping .....	20
End-of-Wordline Delay .....	21
Write .....	22
Command Definitions .....	23
Status Register .....	26
Clear Status Register .....	27
Read Configuration Register .....	28
Programming the Read Configuration Register .....	29
Latency Count Code and Clock Frequency .....	30
Extended Configuration Register .....	31
Output Driver Control .....	31
Programming the Extended Configuration Register .....	32
Read Operations .....	33
Read Array .....	33
Read ID .....	33
Read CFI .....	34
Read Status Register .....	34
WAIT Operation .....	35
Programming Modes .....	36
Control Mode .....	36
Object Mode .....	37
Program Operations .....	41
Single-Word Programming .....	41
Buffered Programming .....	42
Buffered Enhanced Factory Programming .....	42
Erase Operations .....	45
BLOCK ERASE .....	45
SUSPEND and RESUME Operations .....	46
SUSPEND Operation .....	46
RESUME Operation .....	47
BLANK CHECK Operation .....	48
Block Lock .....	49
One-Time Programmable Operations .....	51
Programming OTP Area .....	53
Reading OTP Area .....	53
Global Main-Array Protection .....	54
Dual Operation .....	55



Power and Reset Specifications .....	56
Initialization .....	56
Power-Up and Down .....	56
Reset .....	56
Automatic Power Saving .....	58
Deep Power-Down .....	58
Power Supply Decoupling .....	59
Electrical Specifications .....	60
Electrical Specifications – DC Current and Voltage Characteristics and Operating Conditions .....	61
Electrical Specifications – AC Characteristics and Operating Conditions .....	64
AC Test Conditions .....	64
AC Read Specifications .....	66
AC Read Timing .....	67
AC Write Specifications .....	76
Electrical Specifications – Program/Erase Characteristics .....	84
Common Flash Interface .....	85
READ CFI Structure Output .....	85
CFI ID String .....	86
System Interface Information .....	86
Device Geometry Definition .....	87
Primary Micron-Specific Extended Query .....	89
Flowcharts .....	95
AADM Mode .....	112
AADM Feature Overview .....	112
AADM Mode Enable (RCR[4] = 1) .....	112
Bus Cycles and Address Capture .....	112
WAIT Behavior .....	112
Asynchronous READ and WRITE Cycles .....	113
Asynchronous READ Cycles .....	113
Asynchronous WRITE Cycles .....	115
Synchronous READ and WRITE Cycles .....	116
Synchronous READ Cycles .....	116
Synchronous WRITE Cycles .....	119
System Boot .....	119
Revision History .....	120
Rev. I – 03/15 .....	120
Rev. H – 10/14 .....	120
Rev. G – 9/13 .....	120
Rev. F – 8/11 .....	120
Rev. E – 8/11 .....	120
Rev. D – 5/11 .....	121
Rev. C – 2/11 .....	121
Rev. B – 12/10 .....	121
Rev. A – 12/10 .....	121

## List of Figures

Figure 1: Current Part Number Decoder .....	2
Figure 2: Legacy Part Number Decoder .....	3
Figure 3: 64-Ball TBGA (10mm x 8mm x 1.2mm) – Package Code: GC .....	15
Figure 4: 64-Ball Easy BGA (Top View, Balls Down) .....	16
Figure 5: Main Array Word Lines .....	21
Figure 6: Wrap/No-Wrap Example .....	21
Figure 7: End-of-Wordline Delay .....	21
Figure 8: Two-Cycle Command Sequence .....	23
Figure 9: Single-Cycle Command Sequence .....	23
Figure 10: READ Cycle Between WRITE Cycles .....	23
Figure 11: Illegal Command Sequence .....	24
Figure 12: Configurable Programming Regions: Control Mode and Object Mode .....	37
Figure 13: Configurable Programming Regions: Control Mode and Object Mode Segments .....	39
Figure 14: BLOCK LOCK Operations .....	50
Figure 15: OTP Area Map .....	52
Figure 16: V <sub>pp</sub> Supply Connection Example .....	54
Figure 17: RESET Operation Waveforms .....	57
Figure 18: Deep Power-Down Operation Timing .....	59
Figure 19: Reset During Deep Power-Down Operation Timing .....	59
Figure 20: AC Input/Output Reference Waveform .....	64
Figure 21: Transient Equivalent Testing Load Circuit .....	64
Figure 22: Clock Input AC Waveform .....	65
Figure 23: Asynchronous Page-Mode Read (Non-MUX) .....	68
Figure 24: Synchronous 8- or 16-Word Burst Read (Non-MUX) .....	69
Figure 25: Synchronous Continuous Misaligned Burst Read (Non-MUX) .....	70
Figure 26: Synchronous Burst with Burst Interrupt Read (Non-MUX) .....	71
Figure 27: Asynchronous Single-Word Read .....	72
Figure 28: Synchronous 8- or 16-Word Burst Read (A/D MUX) .....	73
Figure 29: Synchronous Continuous Misaligned Burst Read (A/D MUX) .....	74
Figure 30: Synchronous Burst with Burst-Interrupt (AD-MUX) .....	74
Figure 31: Write Timing .....	77
Figure 32: Write to Write (Non-MUX) .....	78
Figure 33: Async Read to Write (Non-MUX) .....	78
Figure 34: Write to Async Read (Non-MUX) .....	79
Figure 35: Sync Read to Write (Non-MUX) .....	79
Figure 36: Write to Sync Read (Non-MUX) .....	80
Figure 37: Write to Write (A/D-MUX) .....	80
Figure 38: Async Read to Write (A/D-MUX) .....	81
Figure 39: Write to Async Read (A/D-MUX) .....	81
Figure 40: Sync Read to Write (A/D-MUX) .....	82
Figure 41: Write to Sync Read (A/D-MUX) .....	83
Figure 42: Word Program Procedure .....	95
Figure 43: Word Program Full Status Check Procedure .....	96
Figure 44: Program Suspend/Resume Procedure .....	97
Figure 45: Buffer Programming Procedure .....	99
Figure 46: Buffered Enhanced Factory Programming (BEFP) Procedure .....	101
Figure 47: Block Erase Procedure .....	103
Figure 48: Block Erase Full Status Check Procedure .....	104
Figure 49: Erase Suspend/Resume Procedure .....	105
Figure 50: Block Lock Operations Procedure .....	107

---

Figure 51: Protection Register Programming Procedure .....	108
Figure 52: Protection Register Programming Full Status Check Procedure .....	109
Figure 53: Blank Check Procedure .....	110
Figure 54: Blank Check Full Status Check Procedure .....	111
Figure 55: AADM Asynchronous READ Cycle (Latching A[MAX:0]) .....	114
Figure 56: AADM Asynchronous READ Cycle (Latching A[15:0] only) .....	114
Figure 57: AADM Asynchronous WRITE Cycle (Latching A[MAX:0]) .....	115
Figure 58: AADM Asynchronous WRITE Cycle (Latching A[15:0] only) .....	116
Figure 59: AADM Synchronous Burst READ Cycle (ADV# De-asserted Between Address Cycles) .....	118
Figure 60: AADM Synchronous Burst READ Cycle (ADV# Not De-asserted Between Address Cycles) .....	118
Figure 61: AADM Synchronous Burst READ Cycle (Latching A[15:0] only) .....	119

## List of Tables

Table 1: Part Number Information .....	3
Table 2: Main Array Memory Map – 256Mb .....	11
Table 3: Main Array Memory Map – 512Mb, 1Gb .....	12
Table 4: Device ID Codes .....	14
Table 5: Signal Descriptions .....	17
Table 6: Address Mapping for Address/Data MUX Interface .....	18
Table 7: Bus Control Signals .....	19
Table 8: Command Set .....	24
Table 9: Status Register Bit Definitions (Default Value = 0080h) .....	26
Table 10: CLEAR STATUS REGISTER Command Bus Cycles .....	27
Table 11: Read Configuration Register Bit Definitions .....	28
Table 12: PROGRAM READ CONFIGURATION REGISTER Bus Cycles .....	29
Table 13: Supported Latency and Clock Frequency .....	30
Table 14: Extended Configuration Register Bit Definitions (Default Value = 0004h) .....	31
Table 15: Output Driver Control Characteristics .....	31
Table 16: Program Extended Configuration Register Command Bus Cycles .....	32
Table 17: READ MODE Command Bus Cycles .....	33
Table 18: Device Information .....	34
Table 19: WAIT Behavior Summary – Non-MUX .....	35
Table 20: WAIT Behavior Summary – A/D MUX .....	35
Table 21: Programming Region Next State .....	40
Table 22: PROGRAM Command Bus Cycles .....	41
Table 23: BEFP Requirements and Considerations .....	43
Table 24: ERASE Command Bus Cycle .....	45
Table 25: Valid Commands During Suspend .....	46
Table 26: SUSPEND and RESUME Command Bus Cycles .....	47
Table 27: BLANK CHECK Command Bus Cycles .....	48
Table 28: BLOCK LOCK Command Bus Cycles .....	49
Table 29: Block Lock Configuration .....	50
Table 30: Program OTP Area Command Bus Cycles .....	51
Table 31: Dual Operation Restrictions .....	55
Table 32: Power Sequencing .....	56
Table 33: Reset Specifications .....	57
Table 34: Deep Power-Down Specifications .....	58
Table 35: Absolute Maximum Ratings .....	60
Table 36: Operating Conditions .....	60
Table 37: DC Current Characteristics and Operating Conditions .....	61
Table 38: DC Voltage Characteristics and Operating Conditions .....	63
Table 39: AC Input Requirements .....	64
Table 40: Test Configuration Load Capacitor Values for Worst Case Speed Conditions .....	64
Table 41: Capacitance .....	65
Table 42: AC Read Specifications (CLK-Latching, 133 MHz), $V_{CCQ} = 1.7V$ to $2.0V$ .....	66
Table 43: AC Write Specifications .....	76
Table 44: Program/Erase Characteristics .....	84
Table 45: Example of CFI Output (x16 Device) as a Function of Device and Mode .....	85
Table 46: CFI Database: Addresses and Sections .....	85
Table 47: CFI ID String .....	86
Table 48: System Interface Information .....	86
Table 49: Device Geometry .....	87
Table 50: Block Region Map Information .....	88





Table 51: Primary Micron-Specific Extended Query .....	89
Table 52: One Time Programmable (OTP) Space Information .....	90
Table 53: Burst Read Informaton .....	91
Table 54: Partition and Block Erase Region Information .....	92
Table 55: Partition Region 1 Information: Top and Bottom Offset/Address .....	92
Table 56: Partition and Erase Block Map Information .....	94
Table 57: AADM Asynchronous and Latching Timings .....	113
Table 58: AADM Asynchronous Write Timings .....	115
Table 59: AADM Synchronous Timings .....	116

## General Description

Micron's 65nm device is the latest generation of StrataFlash® memory featuring flexible, multiple-partition, dual-operation architecture. The device provides high-performance, asynchronous read mode and synchronous-burst read mode using 1.8V low-voltage, multilevel cell (MLC) technology.

The multiple-partition architecture enables background programming or erasing to occur in one partition while code execution or data reads take place in another partition. This dual-operation architecture also allows two processors to interleave code operations while PROGRAM and ERASE operations take place in the background. The multiple partitions allow flexibility for system designers to choose the size of the code and data segments.

The device is manufactured using 65nm process technologies and is available in industry-standard chip scale packaging.

## Functional Overview

This device provides high read and write performance at low voltage on a 16-bit data bus. The multi-partition architecture provides read-while-write and read-while-erase capability, with individually erasable memory blocks sized for optimum code and data storage.

The device supports synchronous burst reads up to 133 MHz using CLK latching.

Upon initial power-up or return from reset, the device defaults to asynchronous read mode. Configuring the read configuration register enables synchronous burst mode reads. In synchronous burst mode, output data is synchronized with a user-supplied clock signal. In continuous-burst mode, a data read can traverse partition boundaries. A WAIT signal simplifies synchronizing the CPU to the memory.

Designed for low-voltage applications, the device supports READ operations with  $V_{CC}$  at 1.8V, and ERASE and PROGRAM operations with  $V_{PP}$  at 1.8V or 9.0V.  $V_{CC}$  and  $V_{PP}$  can be tied together for a simple, ultra low-power design. In addition to voltage flexibility, a dedicated  $V_{PP}$  connection provides complete data protection when  $V_{PP}$  is less than  $V_{PPLK}$ .

A status register provides status and error conditions of ERASE and PROGRAM operations.

One-time programmable (OTP) area enables unique identification that can be used to increase security. Additionally, the individual block lock feature provides zero-latency block locking and unlocking to protect against unwanted program or erase of the array.

The device offers power-savings features, including automatic power savings mode and standby mode. For power savings, the device automatically enters APS following a READ cycle. Standby is initiated when the system deselects the device by de-asserting CE#.



## Configuration and Memory Map

The device features a symmetrical block architecture.

The main array of the 256Mb device is divided into eight 32Mb partitions. Each partition is divided into sixteen 256KB blocks (8 x 16 = 128 blocks).

The main array of the 512Mb device is divided into eight 64Mb partitions. Each partition is divided into thirty-two 256KB blocks (8 x 32 = 256 blocks).

The main array of the 1Gb device is divided into eight 128Mb partitions. Each partition is divided into sixty-four 256KB blocks (8 x 64 = 512 blocks).

Each block is divided into as many as 256 1KB programming regions. Each region is divided into as many as thirty-two 32-byte segments

**Table 2: Main Array Memory Map – 256Mb**

Partition	Size (Mb)	Block #	Address Range
7	32	127	FF0000-FFFFFF
		.	.
		.	.
6	32	112	FD0000-FDFFFF
		.	.
		.	.
5	32	96	0C00000-0C1FFFF
		.	.
		.	.
4	32	80	0A00000-0A1FFFF
		.	.
		.	.
3	32	79	09E0000-09FFFFFF
		.	.
		.	.
		64	0800000-081FFFF
		.	.
		.	.
		63	07E0000-07FFFFFF
		.	.
		.	.
		48	0600000-061FFFF
		.	.
		.	.



**Table 2: Main Array Memory Map – 256Mb (Continued)**

Partition	Size (Mb)	Block #	Address Range
2	32	47	05E0000-05FFFFFF
		.	.
		.	.
1	32	32	0400000-041FFFF
		.	.
		.	.
0	32	31	03E0000-03FFFFFF
		.	.
		.	.
0	32	16	0200000-021FFFF
		.	.
		.	.
0	32	15	01E0000-01FFFFFF
		.	.
		.	.
0	32	0	0000000-001FFFF
		.	.
		.	.

**Table 3: Main Array Memory Map – 512Mb, 1Gb**

512Mb				1Gb		
Partition	Size (Mb)	Block #	Address Range	Size (Mb)	Block #	Address Range
7	64	255	1FE0000-1FFFFFF	128	511	3FE0000-3FFFFFF
		.	.		.	.
		.	.		.	.
6	64	224	1C00000-1C1FFFF	128	448	3800000-381FFFF
		.	.		.	.
		.	.		.	.
5	64	192	1800000-181FFFF	128	384	3000000-301FFFF
		.	.		.	.
		.	.		.	.
4	64	160	1400000-141FFFF	128	320	2800000-281FFFF
		.	.		.	.
		.	.		.	.
4	64	159	13E0000-13FFFFFF	128	319	27E0000-27FFFFFF
		.	.		.	.
		.	.		.	.
4	64	128	1000000-101FFFF	128	256	2000000-201FFFF
		.	.		.	.
		.	.		.	.



Table 3: Main Array Memory Map – 512Mb, 1Gb (Continued)

512Mb				1Gb		
Partition	Size (Mb)	Block #	Address Range	Size (Mb)	Block #	Address Range
3	64	127	0FE0000-0FFFFFFF	128	255	1FE0000-1FFFFFFF
		.	.		.	.
		96	0300000-031FFFFF		192	1800000-181FFFFF
2	64	95	0BE0000-0BFFFFFFF	128	191	17E0000-17FFFFFFF
		.	.		.	.
		64	0800000-081FFFFF		128	1000000-101FFFFF
1	64	63	07E0000-07FFFFFFF	128	127	0FE0000-0FFFFFFF
		.	.		.	.
		32	0400000-041FFFFF		64	0800000-081FFFFF
0	64	31	03E0000-03FFFFFFF	128	63	07E0000-07FFFFFFF
		.	.		.	.
		0	0000000-001FFFFF		0	0000000-001FFFFF



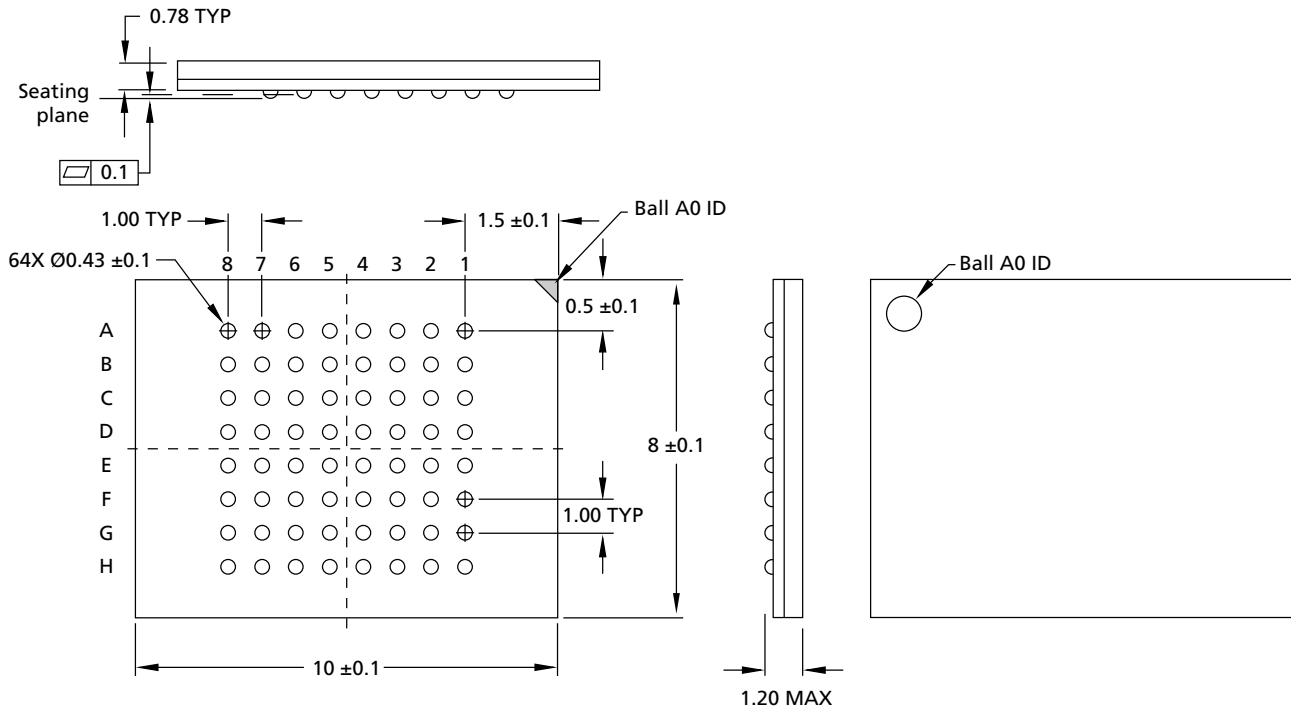
## Device ID

Table 4: Device ID Codes

Density	Product	Device Identifier Code (Hex)
256Mb	Non-MUX	8901
	A/D MUX	8904
512Mb	Non-MUX	887E
	A/D MUX	8881
1024Mb	Non-MUX	88B0
	A/D MUX	88B1

## Package Dimensions

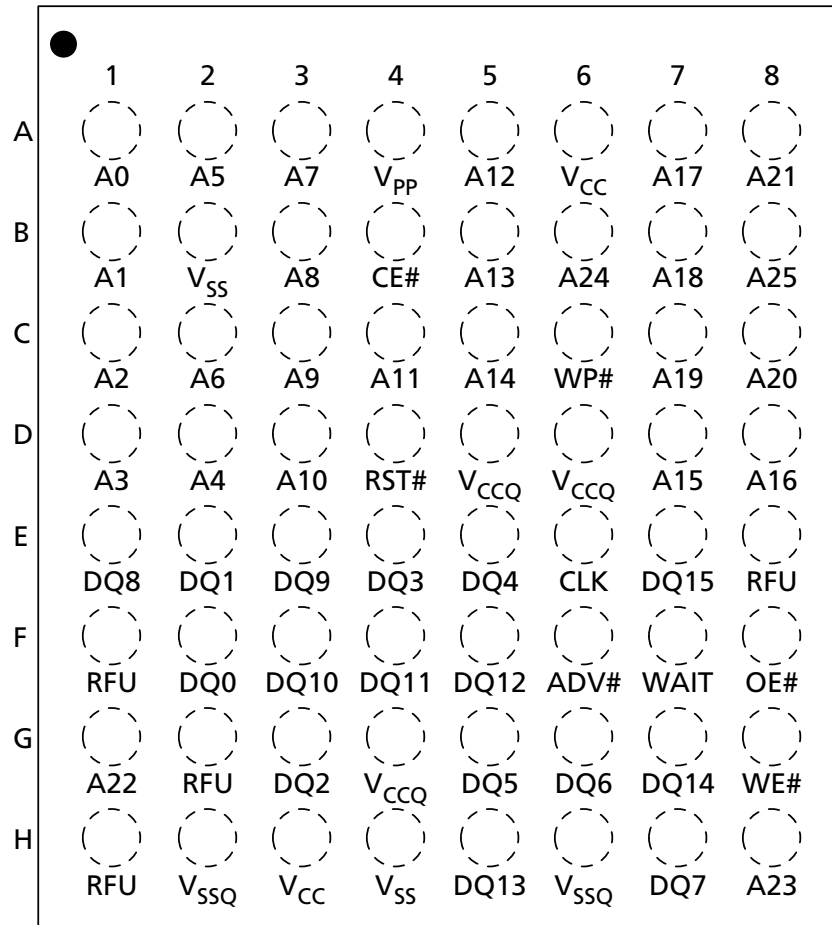
Figure 3: 64-Ball TBGA (10mm x 8mm x 1.2mm) – Package Code: GC



Note: 1. All dimensions are in millimeters.

## Signal Assignments

Figure 4: 64-Ball Easy BGA (Top View, Balls Down)



- Notes:
1. A0 is the least significant address bit.
  2. H8 is A23 for 256Mb density and above; otherwise, it is a no connect (NC).
  3. B6 is A24 for 512Mb densities and above; otherwise, it is a no connect (NC).
  4. B8 is A25 for 1Gb density; otherwise, it is a no connect (NC).
  5. For AA/D MUX configuration, the upper addresses A[MAX;16] must be connected to V<sub>SS</sub>.



## Signal Descriptions

**Table 5: Signal Descriptions**

Symbol	Type	Description
<b>Non-MUX</b>		
A[MAX:0]	Input	<b>Address inputs:</b> Address inputs for all READ/WRITE cycles.
DQ[15:0]	Input/Output	<b>Data:</b> Data or command inputs during WRITE cycles; data, status, or device information outputs during READ cycles.
<b>A/D MUX</b>		
A[MAX:16]	Input	<b>Address inputs:</b> Upper address inputs for all READ/WRITE cycles.
A/DQ[15:0]	Input/Output	<b>Address inputs or data:</b> Lower address inputs during the address phase for all READ/WRITE cycles; data or command inputs during WRITE cycles; data, status, or device information outputs during READ cycles.
<b>Control Signals</b>		
CE#	Input	<b>Chip enable:</b> LOW true input. When LOW, CE# selects the die; when HIGH, CE# deselects the die and places it in standby.
OE#	Input	<b>Output enable:</b> LOW true input. Must be LOW for READs and HIGH for WRITEs.
WE#	Input	<b>Write enable:</b> LOW true input. Must be LOW for WRITEs and HIGH for READs.
CLK	Input	<b>Clock:</b> Synchronizes burst READ operations with the host controller.
ADV#	Input	<b>Address valid:</b> LOW true input. When LOW, ADV# enables address inputs. For synchronous burst READs, address inputs are latched on the rising edge.
WP#	Input	<b>Write protect:</b> LOW true input. When LOW, WP# enables block lock down; when HIGH, WP# disables block lock down.
RST#	Input	<b>Reset:</b> LOW true input. When LOW, RST# inhibits all operations; must be HIGH for normal operations.
V <sub>PP</sub>	Input	<b>Erase/program voltage:</b> Enables voltage for PROGRAM and ERASE operations. Array contents cannot be altered when V <sub>PP</sub> is at or below V <sub>PPLK</sub> .
WAIT	Output	<b>WAIT:</b> Configurable HIGH or LOW true output. When asserted, WAIT indicates DQ[15:0] is invalid; when de-asserted, WAIT indicates DQ[15:0] is valid.
V <sub>CC</sub>	Power	<b>Core power:</b> Supply voltage for core circuits. All operations are inhibited when V <sub>CC</sub> is at or below V <sub>LKO</sub> .
V <sub>CCQ</sub>	Power	<b>I/O power:</b> Supply voltage for all I/O drivers. All operations are inhibited when V <sub>CCQ</sub> is at or below V <sub>LKOQ</sub> .
V <sub>SS</sub>	Power	<b>Logic ground:</b> Core logic ground return. Connect all V <sub>SS</sub> balls to system ground; do not float any V <sub>SS</sub> balls.
V <sub>SSQ</sub>	Power	<b>I/O ground:</b> I/O driver ground return. Connect all V <sub>SSQ</sub> balls to system ground; do not float any V <sub>SSQ</sub> balls.
RFU	Reserved	<b>Reserved:</b> Reserved for future use and should not be connected.

**Table 6: Address Mapping for Address/Data MUX Interface**

Address Bit	A/D MUX Configuration (RCR Bit 4 = 0) and OE# = 1	AADM Mode (RCR Bit 4 = 1) and OE# = 1	AADM Mode (RCR Bit 4 = 1) and OE# = 0
A0	DQ0	A0	A16
A1	DQ1	A1	A17
A2	DQ2	A2	A18
A3	DQ3	A3	A19
A4	DQ4	A4	A20
A5	DQ5	A5	A21
A6	DQ6	A6	A22
A7	DQ7	A7	A23
A8	DQ8	A8	A24
A9	DQ9	A9	A25
A10	DQ10	A10	–
A11	DQ11	A11	–
A12	DQ12	A12	–
A13	DQ13	A13	–
A14	DQ14	A14	–
A15	DQ15	A15	–
A16	A16	–	–
A17	A17	–	–
A18	A18	–	–
A19	A19	–	–
A20	A20	–	–
A21	A21	–	–
A22	A22	–	–
A23	A23	–	–
A24	A24	–	–
A25	A25	–	–

## Bus Interface

The bus interface uses CMOS-compatible address, data, and bus control signals for all bus WRITE and bus READ operations. The address signals are input only, the data signals are input/output (I/O), and the bus control signals are input only. The address inputs are used to specify the internal device location during bus READ and bus WRITE operations. The data I/Os carry commands, data, or status to and from the device. The control signals are used to select and deselect the device, indicate a bus READ or bus WRITE operation, synchronize operations, and reset the device.

Do not float any inputs. All inputs must be driven or terminated for proper device operation. Some features may use additional signals. See Signal Descriptions for descriptions of these signals.

The following table shows the logic levels that must be applied to the bus control signal inputs for the bus operations listed.

**Table 7: Bus Control Signals**

X = Don't Care; High =  $V_{IH}$ ; Low =  $V_{IL}$

Bus Operations	RST#	CE#	CLK	ADV#	OE#	WE#	Address	Data I/O
RESET	LOW	X	X	X	X	X	X	High-Z
STANDBY	HIGH	HIGH	X	X	X	X	X	High-Z
OUTPUT DISABLE	HIGH	X	X	X	HIGH	X	X	High-Z
Asynchronous READ	HIGH	LOW	X	LOW	LOW	HIGH	Valid	Output
Synchronous READ	HIGH	LOW	Running	Toggle	LOW	HIGH	Valid	Output
WRITE	HIGH	LOW	X	X	HIGH	LOW	Valid	Input

## Reset

RST# LOW places the device in reset, where device operations are disabled; inputs are ignored, and outputs are placed in High-Z.

Any ongoing ERASE or PROGRAM operation will be aborted and data at that location will be indeterminate.

RST# HIGH enables normal device operations. A minimum delay is required before the device is able to perform a bus READ or bus WRITE operation. See AC specifications.

## Standby

RST# HIGH and CE# HIGH place the device in standby, where all other inputs are ignored, outputs are placed in High-Z (independent of the level placed on OE#), and power consumption is substantially reduced.

Any ongoing ERASE or PROGRAM operation continues in the background and the device draws active current until the operation has finished.

## Output Disable

When OE# is de-asserted with CE# asserted, the device outputs are disabled. Output pins are placed in High-Z. WAIT is de-asserted in A/D-MUX devices and driven to High-Z in non-MUX devices.

## Asynchronous Read

For RCR15 = 1 (default), CE# LOW and OE# LOW place the device in asynchronous bus read mode:

- RST# and WE# must be held HIGH; CLK must be tied either HIGH or LOW.
- Address inputs must be held stable throughout the access, or latched with ADV#.
- ADV# must be held LOW or can be toggled to latch the address.
- Valid data is output on the data I/Os after <sup>t</sup>AVQV, <sup>t</sup>ELQV, <sup>t</sup>VLQV, or <sup>t</sup>GLQV, whichever is satisfied last.

Asynchronous READ operations are independent of the voltage level on V<sub>pp</sub>.

For asynchronous page reads, subsequent data words are output <sup>t</sup>APA after the least significant address bit(s) are toggled: 16-word page buffer, A[3:0].

## Synchronous Read

For RCR15 = 0, CE# LOW, OE# LOW, and ADV# LOW place the device in synchronous bus read mode:

- RST# and WE# must be held HIGH.
- CLK must be running.
- The first data word is output <sup>t</sup>CHQV after the latency count has been satisfied.
- For array reads, the next address data is output <sup>t</sup>CHQV after valid CLK edges until the burst length is satisfied.
- For nonarray reads, the same address data is output <sup>t</sup>CHQV after valid CLK edges until the burst length is satisfied.

The address for synchronous read operations is latched on the ADV# rising edge or the first rising CLK edge after ADV# LOW, whichever occurs first for devices that support up to 108 MHz. For devices that support up to 133 MHz, the address is latched on the last CLK edge when ADV# is LOW.

## Burst Wrapping

Data stored within the memory array is arranged in rows or word lines. During synchronous burst reads, data words are sensed in groups from the array. The starting address of a synchronous burst read determines which word within the wordgroup is output first, and subsequent words are output in sequence until the burst length is satisfied.

The setting of the burst wrap bit (RCR3) determines whether synchronous burst reads will wrap within the wordgroup or continue on to the next wordgroup.

Figure 5: Main Array Word Lines

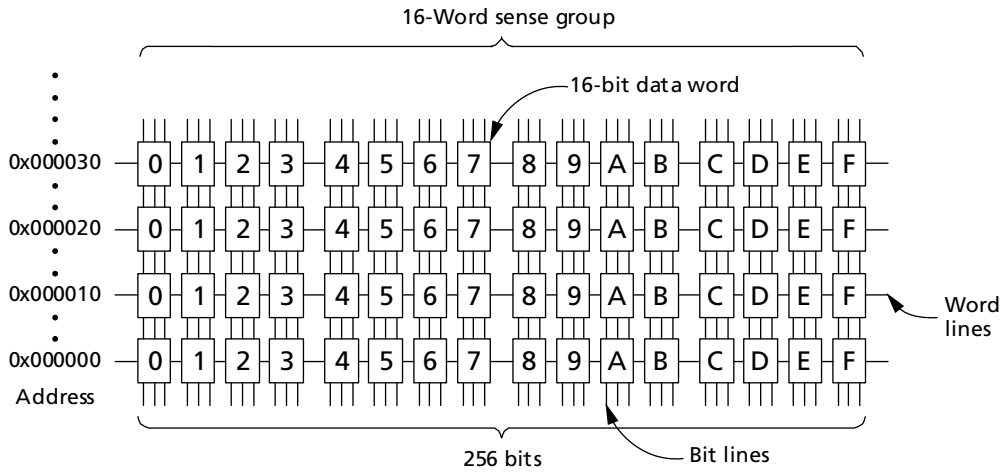
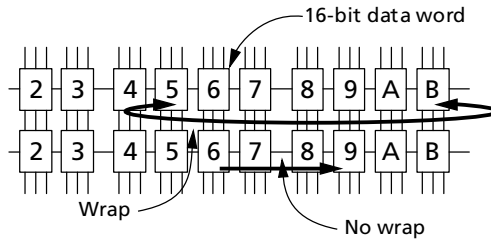


Figure 6: Wrap/No-Wrap Example

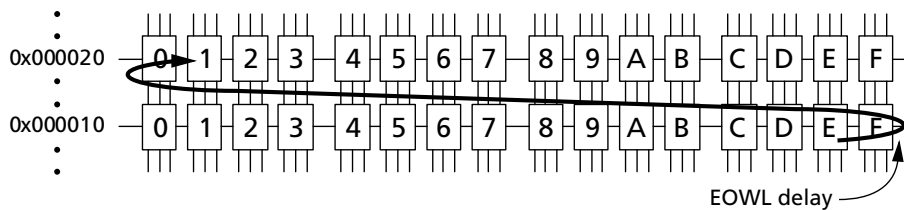


### End-of-Wordline Delay

Output delays may occur when the burst sequence crosses the first end-of-wordline boundary onto the start of the next wordline.

No delays occur if the starting address is sense-group aligned or if the burst sequence never crosses a wordline boundary. However, if the starting address is not sense-group aligned, the worst-case end-of-wordline delay is one clock cycle less than the initial access latency count used. This delay occurs only once during the burst access. WAIT informs the system of this delay when it occurs.

Figure 7: End-of-Wordline Delay



## Write

CE# LOW and WE# LOW place the device in bus write mode, where RST# and OE# must be HIGH, CLK and ADV# are ignored, input data and address are sampled on the rising edge of WE# or CE#, whichever occurs first.

During a WRITE operation in MUX devices, address is latched during the rising edge of ADV# OR CE# whichever occurs first and data is latched during the rising edge of WE# OR CE# whichever occurs first.

Bus WRITE cycles are asynchronous only.

The following conditions apply when a bus WRITE cycle occurs immediately before, or immediately after, a bus READ cycle:

- When transitioning from a bus READ cycle to a bus WRITE cycle, CE# or ADV# must toggle after OE# goes HIGH.
- When in synchronous read mode (RCR15 = 0; burst clock running), bus WRITE cycle timings <sup>t</sup>VHWL (ADV# HIGH to WE# LOW), <sup>t</sup>CHWL (CLK HIGH to WE# LOW), and <sup>t</sup>WHCH (WE# HIGH to CLK HIGH) must be met.
- When transitioning from a bus WRITE cycle to a bus READ cycle, CE# or ADV# must toggle after WE# goes HIGH.

## Command Definitions

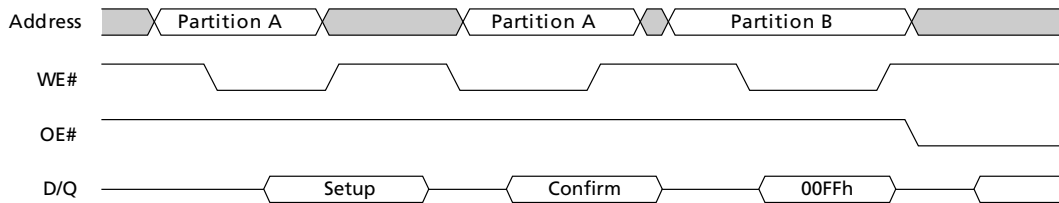
Commands are written to the device to control all operations. Some commands are two-cycle commands that use a SETUP and a CONFIRM command; other commands are single-cycle commands that use only a SETUP command followed by a data READ cycle or data WRITE cycle. Valid commands and their associated command codes are shown in the table below.

The device supports READ-While-WRITE and READ-While-ERASE operations with bus cycle granularity, not command granularity. That is, both bus WRITE cycles of a two-cycle command do not need to occur as back-to-back bus WRITE cycles to the device; READ cycles may occur between the two WRITE cycles of a two-cycle command.

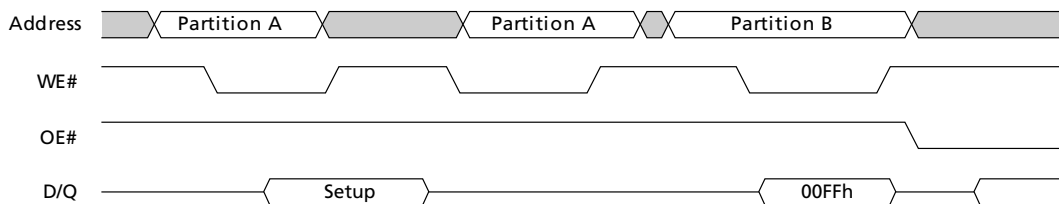
However, a WRITE operation must not occur between the two bus WRITE cycles of a two-cycle command; this will cause a command sequence error (SR[7,5,4] = 1).

Due to the large buffer size of devices, the system interrupt latency may be impacted during the buffer fill phase of a buffered programming operation. Refer to the relevant technical note to implement a software solution.

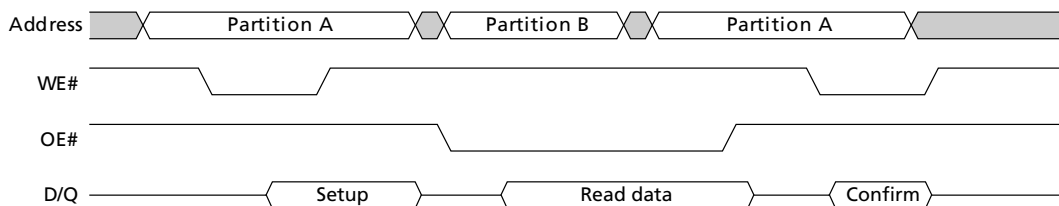
**Figure 8: Two-Cycle Command Sequence**



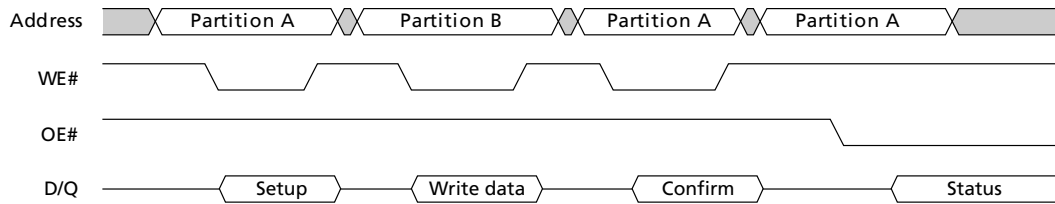
**Figure 9: Single-Cycle Command Sequence**



**Figure 10: READ Cycle Between WRITE Cycles**



**Figure 11: Illegal Command Sequence**



**Table 8: Command Set**

Command	Code (Setup/Confirm)	Description
<b>Register Operations</b>		
PROGRAM READ CONFIGURATION REGISTER	0060h/0003h	Programs the read configuration register. The desired read configuration register value is placed on the address bus, and written to the read configuration register when the CONFIRM command is issued.
PROGRAM EXTENDED CONFIGURATION REGISTER	0060h/0004h	Programs the extended configuration register. The desired extended configuration register value is placed on the address bus, and written to the read configuration register when the CONFIRM command is issued.
PROGRAM OTP AREA	00C0h	Programs OTP area and OTP lock registers. The desired register data is written to the addressed register on the next WRITE cycle.
CLEAR STATUS REGISTER	0050h	Clears all error bits in the status register.
<b>Read Mode Operations</b>		
READ ARRAY	00FFh	Places the addressed partition in read array mode. Subsequent reads outputs array data.
READ STATUS REGISTER	0070h	Places the addressed partition in read status mode. Subsequent reads outputs status register data.
READ ID	0090h	Places the addressed partition in read ID mode. Subsequent reads from specified address offsets output unique device information.
READ CFI	0098h	Places the addressed partition in read CFI mode. Subsequent reads from specified address offsets output CFI data.
<b>Array Programming Operations</b>		
SINGLE-WORD PROGRAM	0041h	Programs a single word into the array. Data is written to the array on the next WRITE cycle. The addressed partition automatically switches to read status register mode.
BUFFERED PROGRAM	00E9h/00D0h	Initiates and executes a BUFFERED PROGRAM operation. Additional bus READ/WRITE cycles are required between the and confirm commands to properly perform this operation. The addressed partition automatically switches to read status register mode.



**Table 8: Command Set (Continued)**

<b>Command</b>	<b>Code (Setup/Confirm)</b>	<b>Description</b>
BUFFERED ENHANCED FACTORY PROGRAM	0080h/00D0h	Initiates and executes a BUFFERED ENHANCED FACTORY PROGRAM operation. Additional bus READ/WRITE cycles are required after the CONFIRM command to properly perform this operation. The addressed partition automatically switches to read status register mode.
<b>Block Erase Operations</b>		
BLOCK ERASE	0020h/00D0h	Erases a single, addressed block. The ERASE operation commences when the CONFIRM command is issued. The addressed partition automatically switches to read status register mode.
<b>Security Operations</b>		
Lock Block	0060h/0001h	Sets the lock bit of the addressed block.
Unlock Block	0060h/00D0h	Clears the lock bit of the addressed block.
Lock-Down Block	0060h/002Fh	Sets the lock-down bit of the addressed block.
<b>Other Operations</b>		
SUSPEND	00B0h	Initiates a suspend of a PROGRAM or BLOCK ERASE operation already in progress when issued to any device address SR[6] = 1 indicates erase suspend SR[2] = 1 indicates program suspend
RESUME	00D0h	Resumes a suspended PROGRAM or BLOCK ERASE operation when issued to any device address. A program suspend nested within an erase suspend is resumed first.
BLANK CHECK	00BCh/00D0h	Performs a blank check of an addressed block. The addressed partition automatically switches to read status register mode.

## Status Register

The status register is a 16-bit, read-only register that indicates device status, region status, and operating errors. Upon power-up or exit from reset, the status register defaults to 0080h (device ready, no errors).

The status register has status bits and error bits. Status bits are set and cleared by the device; error bits are only set by the device. Error bits are cleared using the CLEAR STATUS REGISTER command or by resetting the device.

To read from the status register, first issue the READ STATUS REGISTER command and then read from the device. Note that some commands automatically switch from read mode to read status register mode.

**Table 9: Status Register Bit Definitions (Default Value = 0080h)**

Bit	Name	Description
15:10	Reserved	Reserved for future use; these bits will always be set to zero
9:8	Partition program error	SR[9]/SR[8] 0 0 = Region program successful 1 0 = Region program error: Attempted write with object data to control mode region 0 1 = Region-program error: Attempted rewrite to object mode region 1 1 = Region-program error: Attempted write using illegal command (SR[4] will also be set along with SR[8,9] for the above error conditions)
7	Device status	0 = Device is busy; SR[9,8,6:1] are invalid, SR[0] is valid 1 = Device is ready; SR[9:8], SR[6:1] are valid
6	Erase suspend	0 = Erase suspend not in effect 1 = Erase suspend in effect
5:4	Erase error/blank check error program error (command sequence error)	SR[5]/SR[4] 0 0 = PROGRAM or ERASE operation successful 0 1 = Program error: operation aborted 1 0 = Erase error: Operation aborted; Blank check error: Operation failed 1 1 = Command sequence error: Command aborted
3	V <sub>PP</sub> error	0 = V <sub>PP</sub> within acceptable limits during program or erase 1 = V <sub>PP</sub> < V <sub>PPLK</sub> during program or erase; operation aborted
2	Program suspend	0 = Program suspend not in effect 1 = Program suspend in effect
1	Block lock error	0 = Block not locked during program or erase; operation successful 1 = Block locked during program or erase; operation aborted
0	Partition status	SR[7]/SR[0] 0 0 = Active PROGRAM or ERASE operation in addressed partition BEFP: Program or verify complete, or ready for data 0 1 = Active PROGRAM or ERASE operation in other partition BEFP: Program or Verify in progress 1 0 = No active PROGRAM or ERASE operation in any partition BEFP: Operation complete 1 1 = Reserved

## Clear Status Register

The status register has status bits and error bits. Status bits are set and cleared by the device; error bits are only set by the device. Error bits are cleared using the CLEAR STATUS REGISTER command or by resetting the device.

**Note:** Care should be taken to avoid status register ambiguity. If a command sequence error occurs while in erase suspend, SR[5:4] will be set, indicating a command sequence error. When the ERASE operation is resumed (and finishes), any errors that may have occurred during the ERASE operation will be masked by the command sequence error. To avoid this situation, clear the status register prior to resuming any suspended ERASE operation.

The CLEAR STATUS REGISTER command functions independent of the voltage level on  $V_{pp}$ . Issuing the CLEAR STATUS REGISTER command places the addressed partition in read status register mode. Other partitions are not affected.

**Table 10: CLEAR STATUS REGISTER Command Bus Cycles**

Command	Setup WRITE Cycle Address Bus	Setup WRITE Cycle Data Bus	Confirm WRITE Cycle Address Bus	Confirm WRITE Cycle Data Bus
CLEAR STATUS REGISTER	Device address	0050h	–	–

## Read Configuration Register

The read configuration register is a volatile, 16-bit read/write register used to select bus read modes and to configure synchronous burst read behavior of the device.

The read configuration register is programmed using the PROGRAM READ CONFIGURATION REGISTER command. To read the read configuration register, issue the READ ID command and then read from offset 0005h.

Upon power-up or exit from reset, the read configuration register defaults to asynchronous mode (RCR15 = 1; all other bits are ignored).

**Table 11: Read Configuration Register Bit Definitions**

Bit	Name	Description
15	Read mode	0 = Synchronous burst mode 1 = Asynchronous mode (default)
14:11	Latency count	0 0 1 1 = Code 3 0 1 0 0 = Code 4 0 1 0 1 = Code 5 0 1 1 0 = Code 6 0 1 1 1 = Code 7 1 0 0 0 = Code 8 1 0 0 1 = Code 9 1 0 1 0 = Code 10 1 0 1 1 = Code 11 1 1 0 0 = Code 12 1 1 0 1 = Code 13 1 1 1 0 = Code 14 Other bit settings are reserved; see the table below for supported clock frequencies
10	WAIT polarity	0 = WAIT signal is LOW-true 1 = WAIT signal is HIGH-true
9	Reserved	Write 0 to reserved bits
8	WAIT delay	0 = WAIT de-asserted with valid data 1 = WAIT de-asserted one clock cycle before valid data
7:5	Reserved	Write 0 to reserved bits
4	Bus interface	0 = Non-MUX or A/D MUX (default) 1 = AA/D MUX
3	Reserved	Write 0 to reserved bits
2:0	Burst length	0 1 0 = 8-word burst, wrap only 0 1 1 = 16-word burst, wrap only 1 1 1 = Continuous-burst: linear, no-wrap only Other bit settings are reserved

## Programming the Read Configuration Register

The read configuration register is programmed by issuing the PROGRAM READ CONFIGURATION REGISTER command. The desired RCR[15:0] settings are placed on A[15:0], while the PROGRAM READ CONFIGURATION REGISTER SETUP command is placed on the data bus. Upon issuing the SETUP command, the read mode of the addressed partition is automatically changed to read status register mode.

Next, the CONFIRM command is placed on the data bus while the desired settings for RCR[15:0] are again placed on A[15:0]. Upon issuing the CONFIRM command, the read mode of the addressed partition is automatically switched to read array mode.

Because the desired read configuration register value is placed on the address bus, any hardware-connection offsets between the host's address outputs and the device's address inputs must be taken into account. For example, if the host's address outputs are aligned to the device's address inputs such that host address bit A1 is connected to address bit A0, the desired register value must be left-shifted by one (for example, 2532h << 4A64h) before programming the read configuration register

Synchronous read accesses cannot occur until both the device and the host are in synchronous read mode. Therefore, the software instructions used to perform read configuration register programming and host chip select configuration must be guaranteed not to fetch from the device (instructions must be in system RAM or locked in cache). This also applies when switching back to asynchronous read mode from synchronous read mode.

**Table 12: PROGRAM READ CONFIGURATION REGISTER Bus Cycles**

Command	Setup WRITE Cycle Address Bus	Setup WRITE Cycle Data Bus	Confirm WRITE Cycle Address Bus	Confirm WRITE Cycle Data Bus
PROGRAM READ CONFIGURATION REGISTER	RCR settings	0060h	RCR settings	0003h

## Latency Count Code and Clock Frequency

**Table 13: Supported Latency and Clock Frequency**

Latency Count Code	Clock Frequency $V_{CCQ} = 1.7V \text{ to } 2.0V$
3	$\leq 32.6 \text{ MHz}$
4	$\leq 43.5 \text{ MHz}$
5	$\leq 54.3 \text{ MHz}$
6	$\leq 65.2 \text{ MHz}$
7	$\leq 76.1 \text{ MHz}$
8	$\leq 87.0 \text{ MHz}$
9	$\leq 97.8 \text{ MHz}$
10	$\leq 108.7 \text{ MHz}$
11	$\leq 119.6 \text{ MHz}$
12	$\leq 130.4 \text{ MHz}$
13	$\leq 133.3 \text{ MHz}$

## Extended Configuration Register

The extended configuration register is a volatile 16-bit, read/write register used to select output-driver strength of the device.

Upon power-up or exit from reset, the extended configuration register defaults to 0004h.

The extended configuration register is programmed using the PROGRAM EXTENDED CONFIGURATION REGISTER command. To read the extended configuration register, issue the READ ID command to a partition, and read from <partition base address> + 06h.

**Table 14: Extended Configuration Register Bit Definitions (Default Value = 0004h)**

Bit	Name	Description
15:3	Reserved	Write 0 to reserved bits
2:0	Output driver control	0 0 1 = Code 1 0 1 0 = Code 2 0 1 1 = Code 3 1 0 0 = Code 4 (default) 1 0 1 = Code 5 1 1 0 = Code 6 Other bit settings are reserved

## Output Driver Control

The output driver control bits of the extended configuration register enable adjustment of the device's output-driver strength for DQ[15:0] and WAIT. Upon power-up or reset, ECR[2:0] defaults to 100b for to an output impedance setting of 30 Ohms. To change the output-driver strength, program ECR[2:0] to the desired setting.

**Table 15: Output Driver Control Characteristics**

ECR[2:0]	Driver Impedance (at $V_{CCQ}/2$ )	Driver Multiplier	Load (Same Speed)
0 0 1	90 Ohms	1/3	10pF
0 1 0	60 Ohms	1/2	15pF
0 1 1	45 Ohms	2/3	20pF
1 0 0	30 Ohms	1	30pF
1 0 1	20 Ohms	1–1/2	35pF
1 1 0	15 Ohms	2	40pF

## Programming the Extended Configuration Register

The extended configuration register is programmed by issuing the PROGRAM EXTENDED CONFIGURATION REGISTER command. The desired ECR[15:0] settings are placed on A[15:0], while the PROGRAM EXTENDED CONFIGURATION REGISTER SETUP command is placed on the data bus. Upon issuing the SETUP command, the read mode of the addressed partition is automatically changed to read status register mode.

Next, the CONFIRM command is placed on the data bus while the desired settings for ECR[15:0] are again placed on A[15:0]. Upon issuing the CONFIRM command, the read mode of the addressed partition is automatically switched to read array mode.

Because the desired ECR value is placed on the address bus, any hardware-connection offsets between the host's address outputs and the device's address inputs must be taken into account.

For example, if the host's address outputs are aligned to the device's address inputs such that host address bit A1 is connected to address bit A0, the desired register value must be left-shifted by one (for example, 2532h << 4A64h) before programming the ECR.

Programming the ECR functions independently of the voltage on V<sub>PP</sub>.

**Table 16: Program Extended Configuration Register Command Bus Cycles**

Command	Setup WRITE Cycle Address Bus	Setup WRITE Cycle Data Bus	Confirm WRITE Cycle Address Bus	Confirm WRITE Cycle Data Bus
PROGRAM EXTENDED CONFIGURATION REGISTER	Register Data	0060h	Register Data	0004h



## Read Operations

The following types of data can be read from the device: array data (read array), device information (read ID), CFI data (read CFI), and device status (read status register).

Upon power-up or return from reset, the device defaults to read array mode. To change the read mode, the appropriate command must be issued to the device.

The table below shows the command codes used to configure the device for the desired read mode.

**Table 17: READ MODE Command Bus Cycles**

Command	Setup WRITE Cycle Address Bus	Setup WRITE Cycle Data Bus	Confirm WRITE Cycle Address Bus	Confirm WRITE Cycle Data Bus
READ ARRAY	Partition address	00FFh	–	–
READ STATUS REGISTER	Partition address	0070h	–	–
READ ID	Partition address	0090h	–	–
READ CFI	Partition address	0098h	–	–

### Read Array

Upon power-up or exit from reset, the device defaults to read array mode. Issuing the READ ARRAY command places the addressed partition in read array mode and can be issued only to a partition that is not actively programming or erasing. Subsequent READ operations output array data from that partition.

The addressed partition remains in read array mode until a different READ command is issued, a PROGRAM or ERASE operation is performed, or a BLOCK LOCK SETUP command is issued in that partition, in which case the read mode automatically changes to read status.

To change a partition that is actively programming or erasing to read array mode, first issue the SUSPEND command. After the operation has been suspended, issue the READ ARRAY command to the partition. When the PROGRAM or ERASE operation is subsequently resumed, the partition will automatically revert back to read status mode.

The READ ARRAY command functions independently of the voltage level on  $V_{pp}$ .

Issuing the READ ARRAY command to a partition that is actively programming or erasing causes subsequent reads from that partition to output invalid data. Valid array data is output only after the PROGRAM or ERASE operation has completed.

### Read ID

Issuing the READ ID command places the addressed partition in read ID mode. Subsequent reads output device information such as manufacturer code, device identifier code, block lock status, OTP data, or read configuration register data.

The addressed partition remains in read ID mode until a different READ command is issued, or a PROGRAM or ERASE operation is performed in that partition, in which case the read mode automatically changes to read status.

The READ ID command functions independently of the voltage level on  $V_{pp}$ .

Issuing the READ ID command to a partition that is actively programming or erasing changes that partition's read mode to read ID mode. Subsequent reads from that partition will not output device information until the PROGRAM or ERASE operation has completed.

**Table 18: Device Information**

Device Information	Address Bus	Data Bus
Device manufacturer code	Partition base address + 00h	0089h
Device ID code	Partition base address + 01h	Device ID
Block lock status	Block base address + 02h	D0 = Lock status D1 = Lock-down status
Read configuration register	Partition base address + 05h	Configuration register data
Extended configuration register	Partition base address + 06h	Extended configuration register data
OTP lock register 0	Partition base address + 80h	Lock register 0 data
OTP block 0 – factory segment	Partition base address + 81h to 84h	Factory-programmed data
OTP block 1 – user-programmable segment	Partition base address + 85h to 88h	User data
OTP lock register 1	Partition base address + 89h	Lock register 1 data
OTP blocks 2–17	Partition base address + 8Ah to 109h	User data

### Read CFI

Issuing the READ CFI command places the addressed partition in read CFI mode. Subsequent reads from that partition output CFI information.

The addressed partition remains in read CFI mode until a different READ command is issued, or a PROGRAM or ERASE operation is performed, or a BLOCK LOCK SETUP command is issued, which changes the read mode to read status register mode.

The READ CFI command functions independently of the voltage level on  $V_{pp}$ .

Issuing the READ CFI command to a partition that is actively programming or erasing changes that partition's read mode to read CFI mode. Subsequent reads from that partition will return invalid data until the PROGRAM or ERASE operation has completed.

After issuing a READ ID (0x90) or READ CFI (0x98) command to a partition, a READ ARRAY (0xFF) command must be issued to any partition address before reading the main array.

**Note:** After issuing a READ DEVICE INFORMATION (0x90) or CFI QUERY (0x98) command in any one of the partitions, a READ ARRAY (0xFF) command must be first be issued to any partition address before reading any portion of the main array.

### Read Status Register

Issuing the READ STATUS REGISTER command places the addressed partition in read status register mode; other partitions are not affected. Subsequent reads from that partition output status register information.

**Note:** CE# or OE# must be toggled to update the status register data.

The addressed partition remains in read status register mode until a different READ MODE command is issued to that partition. Performing a PROGRAM, ERASE, or BLOCK LOCK operation also changes the partition's read mode to read status register mode.

The READ STATUS REGISTER command functions independently of the voltage level on  $V_{PP}$ .

Status register contents are valid only when  $SR[7]=1$ .

### WAIT Operation

WAIT indicates the validity of output data during synchronous READ operations. It is asserted when output data is invalid and de-asserted when output data is valid. WAIT changes state only on valid clock edges. Upon power-up or exit from reset, WAIT defaults to LOW true ( $RCR[10] = 0$ ).

WAIT is de-asserted during asynchronous reads. During WRITE operations, WAIT is High-Z on non-MUX devices, and de-asserted on A/D-MUX devices.

**Table 19: WAIT Behavior Summary – Non-MUX**

Device Operation	CE#	OE#	WE#	WAIT
STANDBY (Device not selected)	HIGH	X	X	High-Z
OUTPUT DISABLE	LOW	HIGH	HIGH	High-Z
Synchronous READ	LOW	LOW	HIGH	Active WAIT asserted = invalid data WAIT de-asserted = valid data
Asynchronous READ	LOW	LOW	HIGH	De-asserted
WRITE	LOW	HIGH	LOW	High-Z

Note: 1. This table does not apply to AADM devices. See AADM Mode for WAIT behavior in AADM mode.

**Table 20: WAIT Behavior Summary – A/D MUX**

Device Operation	CE#	OE#	WE#	WAIT
STANDBY (Device not selected)	HIGH	X	X	High-Z
OUTPUT DISABLE	LOW	HIGH	HIGH	De-asserted
Synchronous READ	LOW	LOW	HIGH	Active WAIT asserted = invalid data WAIT de-asserted = valid data
Asynchronous READ	LOW	LOW	HIGH	De-asserted
WRITE	LOW	HIGH	LOW	De-asserted

Note: 1. This table does not apply to AADM devices. See AADM Mode for WAIT behavior in AADM mode.

## Programming Modes

Each programming region in a block can be configured for either control mode or object mode.

The programming mode is automatically set based on the data pattern when a region is first programmed. Selecting either control mode or object mode is done according to the specific needs of the system. In control mode, code or data is frequently changed (such as the flash file system or header information). In object mode, large code or data (such as objects or payloads) is infrequently changed. By implementing the appropriate programming mode, software can efficiently organize how information is stored in the memory array.

Control mode programming regions and object mode programming regions can be intermingled within the same erase block. However, the programming mode of any region within a block can be changed only after erasing the entire block.

### Control Mode

Control mode programming is invoked when only the A-half ( $A3 = 0$ ) of the programming region is programmed to 0s. The B-half ( $A3 = 1$ ) remains erased. Control mode allows up to 512 bytes of data to be programmed in the region. The information can be programmed in bits, bytes, or words.

Control mode supports the following programming methods:

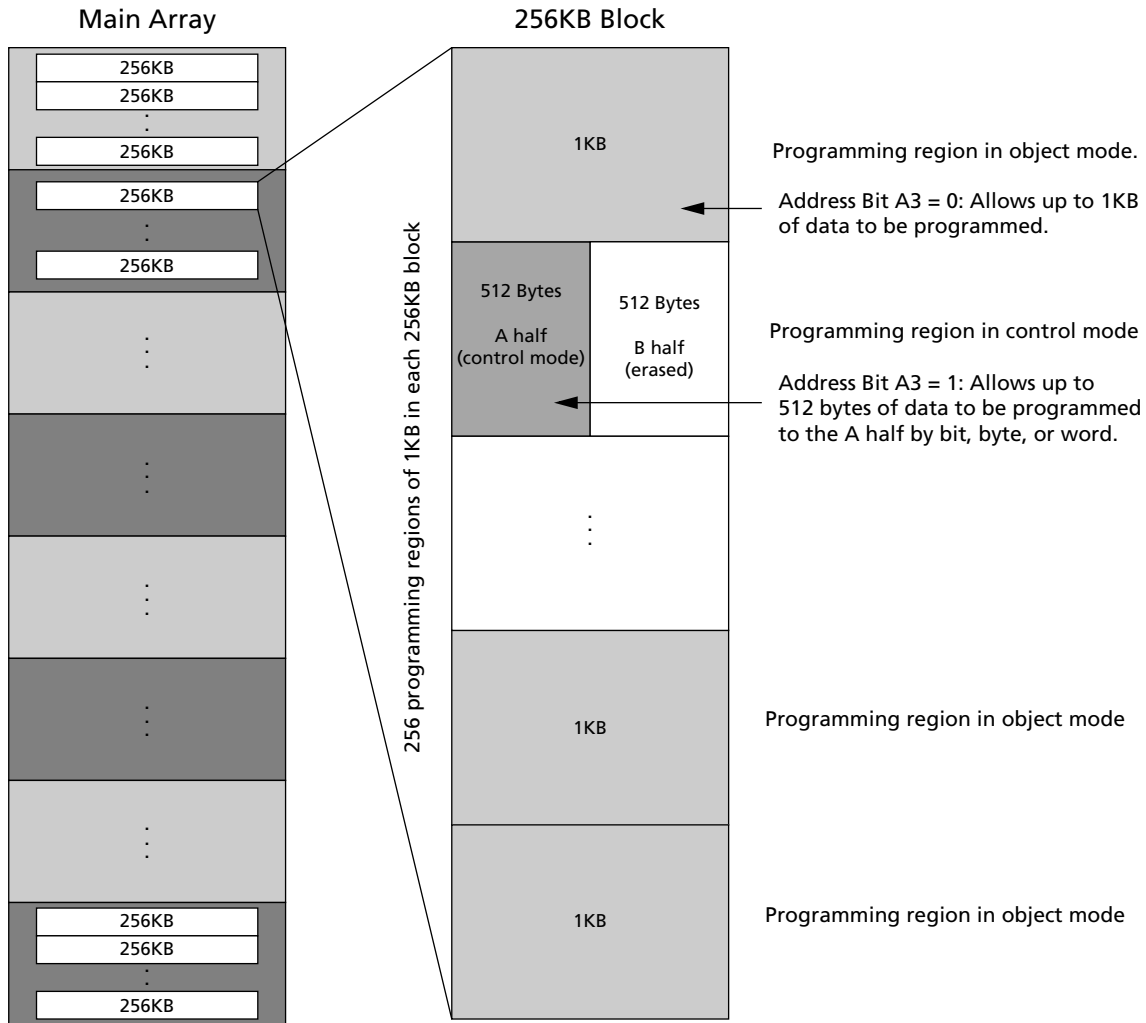
- Single-word programming (0041h)
- Buffered programming (00E9h/00D0h)
- Buffered enhanced factory programming (0080h/00D0h)

When buffered programming is used in control mode, all addresses must be in the A-half of the buffer ( $A3 = 0$ ). During buffer fill, the B-half ( $A3 = 1$ ) addresses do not need to be filled with 0xFFFF.

Control mode programming is useful for storing dynamic information, such as flash file system headers, file Info, and so on. Typically, control mode programming does not require the entire 512 bytes of data to be programmed at once. It may also contain data that is changed after initial programming using a technique known as “bit twiddling”. Header information can be augmented later with additional new information within a control-mode-programmed region. This allows implementation of legacy file systems, as well as transaction-based power-loss recovery.

In a control mode region, PROGRAM operations can be performed multiple times. However, care must be taken to avoid programming any zeros in the B-half ( $A3 = 1$ ) of the region. Violation of this usage will cause SR[4] and SR[9] to be set, and the PROGRAM operation will be aborted.

Figure 12: Configurable Programming Regions: Control Mode and Object Mode



## Object Mode

Object mode programming is invoked when one or more bits are programmed to zero in the B-half of the programming region (A3 = 1).

Object mode allows up to 1KB to be stored in a programming region. Multiple regions are used to store more than 1KB of information. If the object is less than 1KB, the unused content will remain as 0xFFFF (erased).

Object mode supports the following programming methods:

- Buffered programming (00E9h/00D0h)
- Buffered enhanced factory programming (0080h/00D0h)

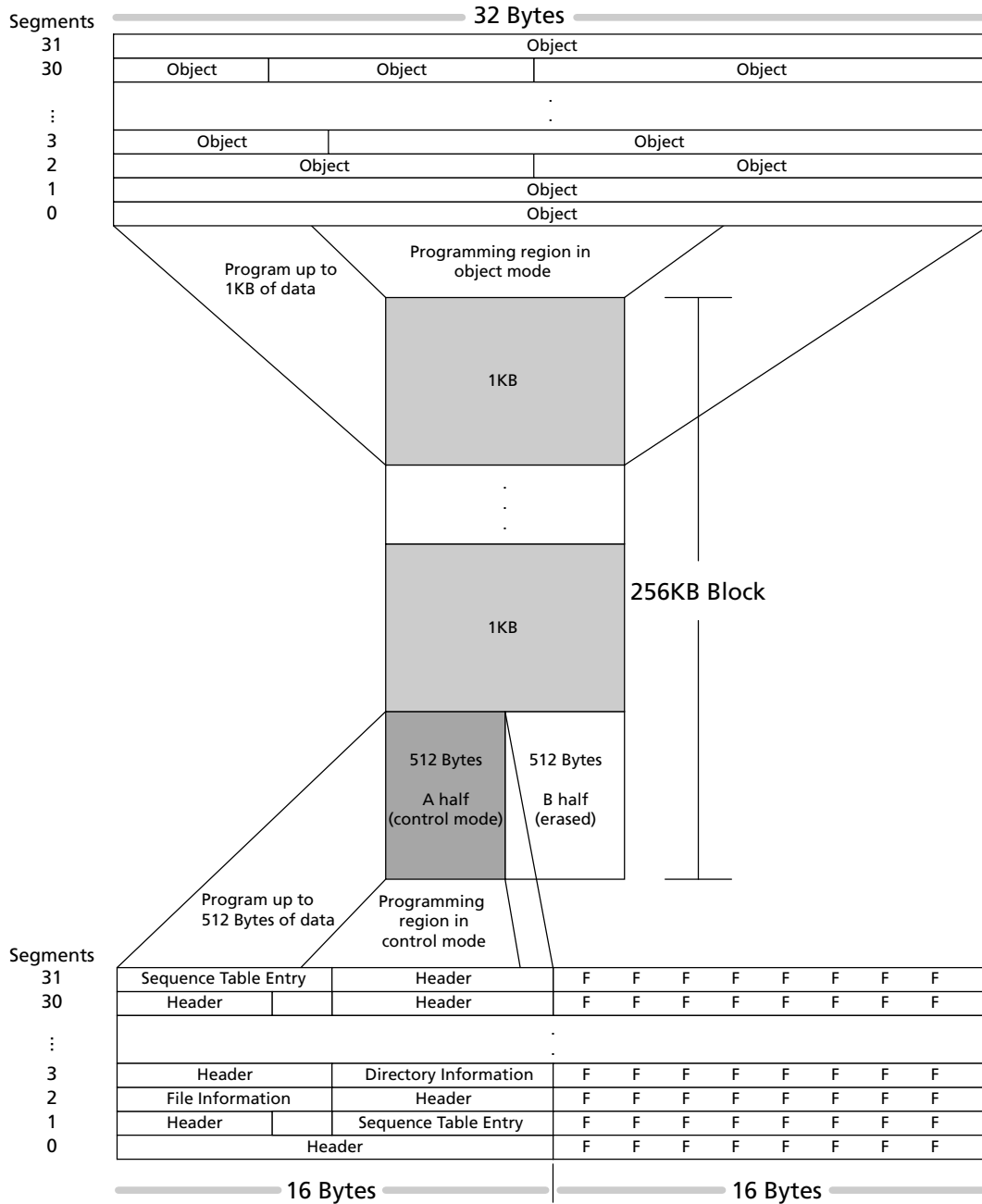
Single-word programming (0041h) is not supported in object mode. To perform multiple PROGRAM operations within a programming region, control mode must be used.

(Object mode is useful for storing static information, such as objects or payloads, that rarely change.)

Once the programming region is configured in object mode, it cannot be augmented or overwritten without first erasing the entire block containing the region. Subsequent PROGRAM operations to a programming region configured in object mode will cause SR[4] and SR[8] to be set and the PROGRAM operation to be aborted.

Issuing the 41h command to the B-half of an erased region will set error bits SR[8] and SR[9], and the PROGRAM operation will not proceed.

Figure 13: Configurable Programming Regions: Control Mode and Object Mode Segments



**Table 21: Programming Region Next State**

Command Issued	Current State of Programming Region		
	Erased	Control Mode	Object Mode
0041h to B-half (A3 = 1)	Program fail; Illegal command SR[4,8,9] = 1	Program fail; Illegal command SR[4,8,9] = 1	Program fail; Illegal command SR[4,8,9] = 1
0041h to A-half (A3 = 0)	Program successful SR[4,8,9] = 0 Region configured to control mode	Program successful SR[4,8,9] = 0	Program fail; Rewrite to object mode region SR[4,8] = 1 SR[9] = 0
00E9h to B-half (A3 = 1)	Program successful SR[4,8,9] = 0 Region configured to object mode	Program fail; Object data to control mode region SR[4,9] = 1 SR[8] = 0	Program fail; Rewrite to object mode region SR[4,8] = 1 SR[9] = 0
00E9h to A-half (A3 = 0)	Program successful SR[4,8,9] = 0 Region configured to control mode	Program successful SR[4,8,9] = 0	Program fail; Rewrite to object mode region SR[4,8] = 1 SR[9] = 0



## Program Operations

Programming the array changes 1s to 0s. To change 0s to 1s, an ERASE operation must be performed. Only one PROGRAM operation can occur at a time. Programming is permitted during erase suspend.

Information is programmed into the array by issuing the appropriate command.

All PROGRAM operations require the addressed block to be unlocked and a valid  $V_{PP}$  voltage applied throughout the PROGRAM operation. Otherwise, the PROGRAM operation will abort, setting the appropriate status register error bit(s).

If the device is deselected during a PROGRAM or ERASE operation, the device continues to consume active power until the PROGRAM or ERASE operation has completed.

**Table 22: PROGRAM Command Bus Cycles**

Command	Setup WRITE Cycle Address Bus	Setup WRITE Cycle Data Bus	Confirm WRITE Cycle Address Bus	Confirm WRITE Cycle Data Bus
SINGLE-WORD PROGRAM	Device address	0041h	Device address	Array data
BUFFERED PROGRAM	Device address	00E9h	Device address	00D0h
BUFFERED ENHANCED FACTORY PROGRAM	Device address	0080h	Device address	00D0h

### Single-Word Programming

Single-word programming is performed by issuing the SINGLE-WORD PROGRAM command. This is followed by writing the desired data at the desired address. The read mode of the addressed partition is automatically changed to read status register mode, which remains in effect until another READ MODE command is issued.

Issuing the READ STATUS REGISTER command to another partition switches that partition's read mode to read status register mode, thereby enabling programming progress to be monitored from that partition's address.

Single-word programming is supported in control mode only. The array address specified must be in the A-half of the programming region.

During programming, the status register indicates a busy status ( $SR[7] = 0$ ). Upon completion, the status register indicates a ready status ( $SR[7] = 1$ ). The status register should be checked for any errors, then cleared.

The only valid commands during programming are READ ARRAY, READ ID, READ CFI, and PROGRAM SUSPEND. After programming completes, any valid command can be issued.

Issuing the READ ARRAY, READ ID, or READ CFI command to a partition that is actively programming causes subsequent reads from that partition to output invalid data. Valid data is output only after the PROGRAM operation is complete.

Standby power levels are not realized until the PROGRAM operation has completed. Asserting RST# immediately aborts the PROGRAM operation, and array contents at the addressed location are indeterminate. The addressed block should be erased and the data reprogrammed.

## Buffered Programming

Buffered programming programs multiple words simultaneously into the memory array. Data is first written to a programming buffer and then programmed into the array in buffer-sized increments, significantly reducing the effective word programming time.

Optimal performance and power consumption is realized only by aligning the starting address to buffer-sized boundaries within the array. Crossing a buffer-sized boundary can cause the buffered programming time to double.

The BUFFERED PROGRAM operation consists of the following fixed, predefined sequence of bus WRITE cycles: 1) Issue the SETUP command; 2) Issue a word count; 3) Fill the buffer with user data; and 4) Issue the CONFIRM command. Once the SETUP command has been issued to an address, subsequent bus WRITE cycles must use addresses within the same block throughout the operation; otherwise, the operation will abort. Bus READ cycles are allowed at any time and at any address.

**Note:**  $V_{PP}$  must be at  $V_{PPL}$  or  $V_{PPH}$  throughout the BUFFERED PROGRAM operation.

Upon programming completion, the status register indicates ready ( $SR7 = 1$ ), and any valid command may be issued. A full status register check should be performed to check for any programming errors. If any error bits are set, the status register should be cleared using the CLEAR STATUS REGISTER command.

A subsequent BUFFERED PROGRAM operation can be initiated by issuing another SETUP command and repeating the buffered programming sequence. Any errors in the status register caused by a previous operation should first be cleared to prevent masking of errors that may occur during a subsequent BUFFERED PROGRAM operation.

Valid commands issued to the busy partition during array programming are READ ARRAY, READ ID, READ CFI, READ STATUS, and PROGRAM SUSPEND.

Issuing the READ ARRAY, READ ID, or READ CFI command to a partition that is actively programming causes subsequent reads from that partition to output invalid data. Valid data is output only after the PROGRAM operation has completed.

## Buffered Enhanced Factory Programming

Buffered enhanced factory programming (BEFP) improves programming performance through the use of the write buffer, elevated programming voltage ( $V_{PPH}$ ), and enhanced programming algorithm. User data is written into the write buffer, and then the buffer contents are automatically written into the array in buffer-sized increments.

Internal verification during programming (inherent to MLC technology) and status register error checking are used to determine proper completion of the PROGRAM operation. This eliminates delays incurred when switching between SINGLE-WORD PROGRAM and VERIFY operations.

BEFP consists of the following three distinct phases:

1. Setup phase:  $V_{PPH}$  and block lock checks
2. Program/verify phase: buffered programming and verification
3. Exit phase: block error check

BEFP is supported in both control mode and object mode. The programming mode selection for the entire array block is driven by the specific type of information, such as header or object data. Header/object data is aligned on a 1KB programming region boundary in the main array block.

**Table 23: BEFP Requirements and Considerations**

<b>BEFP Requirements</b>	Temperature ( $T_{AMBIENT}$ ) must be 25 °C, $\pm$ 5 °C
	Voltage on $V_{CC}$ must be within the allowable operating range
	Voltage on $V_{PP}$ must be within the allowable operating range
	Block being programmed must be erased and unlocked
<b>BEFP Considerations</b>	Block cycling below 100 ERASE cycles
	Reading from another partition during BEFP (RWW) is not allowed
	BEFP programs within one block at a time
	BEFP cannot be suspended

### BEFP Setup Phase

Issuing the BEFP SETUP and CONFIRM command sequence starts the BEFP algorithm. The read mode of the addressed partition is automatically changed to read status register mode.

The address used when issuing the SETUP and CONFIRM commands must be buffer-size aligned within the block being programmed; buffer contents cannot cross block boundaries.

**Note:** The READ STATUS REGISTER command must not be issued; it will be interpreted as data to be written to the write buffer.

A setup delay ( $t_{BEFP/setup}$ ) occurs while the internal algorithm checks  $V_{PP}$  and block lock status. If errors are detected, the appropriate status register error bits are set and the operation aborts.

The status register should be polled for successful BEFP setup, indicated by  $SR[7:0] = 0$  (device busy, buffer ready for data).

### BEFP Program/Verify Phase

Data is first written into the write buffer, then programmed into the array. During the buffer fill sequence, the address used must be buffer-size aligned. Use of any other address will cause the operation to abort with a program fail error, and any data previously loaded in the buffer will not be programmed into the array.

The buffer fill data is stored in sequential buffer locations starting at address 00h. A word count equal to the maximum buffer size is used; therefore, the buffer must be completely filled. If the amount of data is less than the maximum buffer size, the remaining buffer locations must be padded with FFFFh to completely fill the buffer.

Array programming starts as soon as the write buffer is full. Data words from the write buffer are programmed into sequential array locations.  $SR0 = 1$  indicates the write buffer is not available while the BEFP algorithm programs the array.

The status register should be polled for  $SR0 = 0$  (buffer ready for data) to determine when the array programming has completed and the write buffer is again available for loading. The internal address is automatically incremented to enable subsequent array programming to continue from where the previous buffer-fill/array program sequence ended within the block. This cycle can be repeated to program the entire block.

### BEFP Exit Phase

To exit the program/verify phase, write FFFFh to an address outside of the block.

The status register should be polled for SR7 = 1 (device ready), indicating the BEFP algorithm has finished running and the device has returned to normal operation.

A full status register error check should be performed to ensure the block was programmed successfully.

## Erase Operations

### BLOCK ERASE

Erasing a block changes 0s to 1s. To change 1s to 0s, a PROGRAM operation must be performed. Erasing is performed on a block basis; an entire block is erased each time an erase command sequence is issued. Once a block is fully erased, all addressable locations within that block read as logical 1s (FFFFh).

Only one BLOCK ERASE operation can occur at a time. A BLOCK ERASE operation is not permitted during program suspend. All BLOCK ERASE operations require the addressed block to be unlocked, and  $V_{PP}$  must be at  $V_{PPL}$  or  $V_{PPH}$  throughout the BLOCK ERASE operation. Otherwise, the operation aborts, setting the appropriate status register error bit(s).

To perform a BLOCK ERASE operation, issue the BLOCK ERASE SETUP command at the desired block address. The read mode of the addressed partition automatically changes to read status register mode and remains in effect until another READ MODE command is issued.

The ERASE CONFIRM command latches the address of the block to be erased. The addressed block is preconditioned (programmed to all 0s), erased, and then verified.

Issuing the READ STATUS REGISTER command to another partition switches that partition's read mode to the read status register, thereby allowing block erase progress to be monitored from that partition's address. SR0 indicates whether the addressed partition or the other partition is erasing.

During a BLOCK ERASE operation, the status register indicates a busy status ( $SR[7] = 0$ ).

Issuing the READ ARRAY command to a partition that is actively erasing a main block causes subsequent reads from that partition to output invalid data. Valid array data is output only after the BLOCK ERASE operation has finished.

Upon completion, the status register indicates a ready status ( $SR[7] = 1$ ). The status register should be checked for any errors, and then cleared.

If the device is deselected during an ERASE operation, the device continues to consume active power until the ERASE operation is completed.

Asserting RST# immediately aborts the BLOCK ERASE operation, and array contents at the addressed location are indeterminate. The addressed block should be erased again.

The only valid commands during a BLOCK ERASE operation are READ ARRAY, READ ID, READ CFI, and ERASE SUSPEND. After the BLOCK ERASE operation has completed, any valid command can be issued.

**Table 24: ERASE Command Bus Cycle**

Command	Setup WRITE Cycle Address Bus	Setup WRITE Cycle Data Bus	Confirm WRITE Cycle Address Bus	Confirm WRITE Cycle Data Bus
BLOCK ERASE	Device address	0020h	Block address	00D0h

## SUSPEND and RESUME Operations

PROGRAM and ERASE operations of the main array can be suspended to perform other device operations, and then subsequently resumed. OTP area programming operations cannot be suspended. During erase suspend or program suspend, the addressed block must remain unlocked,  $V_{PP}$  must be at  $V_{PPL}$  or  $V_{PPH}$ , and  $WP\#$  must remain unchanged. Otherwise, the ERASE or PROGRAM operation will abort, setting the appropriate status register error bit(s).

### SUSPEND Operation

To suspend an ongoing ERASE or PROGRAM operation, issue the SUSPEND command to any device address. Issuing the SUSPEND command does not change the read mode.

Upon issuing a SUSPEND command, the ongoing ERASE or PROGRAM operation suspends after a delay of  $t_{SUSP}$ . The operation is suspended only when  $SR[7:6] = 1$  (erase suspend) or  $SR[7:2] = 1$  (program suspend).

While suspended, reading from a block that was being erased or programmed is not allowed. Also, programming within an erase suspended block is not allowed, and if attempted, will result in a programming error ( $SR[4] = 1$ ). Erasing under program suspend is not allowed. However, array programming under erase suspend is allowed, and can also be suspended. This results in a simultaneous erase suspend and program suspend condition, indicated by  $SR[7:6,2] = 1$ . Additional valid commands while suspended are READ ARRAY, READ STATUS REGISTER, READ ID, READ CFI, CLEAR STATUS REGISTER, and RESUME. No other commands are allowed.

During suspend,  $CE\#$  may be de-asserted, placing the device in standby and reducing active current to standby levels.  $V_{PP}$  must remain at  $V_{PPL}$  or  $V_{PPH}$ , and  $WP\#$  must remain unchanged.

Asserting  $RST\#$  aborts any suspended BLOCK ERASE and PROGRAM operations; array contents at the addressed locations will be indeterminate.

During suspend,  $CE\#$  may be de-asserted. The device is placed in standby, reducing active current.  $V_{PP}$  must remain at  $V_{PPL}$  or  $V_{PPH}$ , and  $WP\#$  must remain unchanged.

Asserting  $RST\#$  aborts suspended BLOCK ERASE and PROGRAM operations; array contents at the addressed locations are indeterminate.

A BUFFERED PROGRAM command sequence can be terminated during a the BUFFER FILL operation while in an erase suspend by issuing any non-00D0h command (non-confirm command) to the same block address to which the BUFFERED PROGRAM command was written.

**Table 25: Valid Commands During Suspend**

Device Command	Program Suspend	Erase Suspend
READ ARRAY	Allowed	Allowed
READ STATUS REGISTER	Allowed	Allowed
CLEAR STATUS REGISTER	Allowed	Allowed
READ DEVICE INFORMATION	Allowed	Allowed
CFI QUERY	Allowed	Allowed
WORD PROGRAM	Not Allowed	Allowed

**Table 25: Valid Commands During Suspend (Continued)**

Device Command	Program Suspend	Erase Suspend
BUFFERED PROGRAM	Not Allowed	Allowed
BUFFERED ENHANCED FACTORY PROGRAM	Not Allowed	Not Allowed
BLOCK ERASE	Not Allowed	Not Allowed
PROGRAM/ERASE SUSPEND	Not Allowed	Not Allowed
PROGRAM/ERASE RESUME	Allowed	Allowed

## RESUME Operation

To resume a suspended ERASE or PROGRAM operation, issue the RESUME command to any device address. The ERASE or PROGRAM operation continues where it left off, and the respective status register suspend bit is cleared. Issuing the RESUME command does not change the read mode.

When the RESUME command is issued during a simultaneous erase suspend or program suspend condition, the PROGRAM operation is resumed first. Upon completion of the PROGRAM operation, the status register should be checked for any errors, and cleared if needed. The RESUME command must be issued again to complete the ERASE operation. Upon completion of the ERASE operation, the status register should be checked for any errors, and cleared if needed.

**Table 26: SUSPEND and RESUME Command Bus Cycles**

Command	Setup WRITE Cycle Address Bus	Setup WRITE Cycle Data Bus	Confirm WRITE Cycle Address Bus	Confirm WRITE Cycle Data Bus
SUSPEND	Device address	00B0h	–	–
RESUME	Device address	00D0h	–	–

## BLANK CHECK Operation

Blank check verifies whether a main-array block is completely erased. A BLANK CHECK operation is performed one block at a time, and cannot be used during program suspend or erase suspend.

To use blank check, first issue the BLANK CHECK SETUP command followed by the CONFIRM command. The read mode of the addressed partition is automatically changed to read status register mode, which remains in effect until another read mode is issued.

During a BLANK CHECK operation, the status register indicates a busy status (SR[7] = 0). Upon completion, the status register indicates a ready status (SR[7] = 1). Issuing the READ STATUS REGISTER command to another partition switches that partition's read mode to read status register mode, thereby allowing the BLANK CHECK operation to be monitored from that partition's address.

The status register should be checked for any errors, and then cleared. If the BLANK CHECK operation fails (the block is not completely erased), then the status register will indicate a blank check error (SR[7:5] = 1).

The only valid command during a BLANK CHECK operation is read status. Blank check cannot be suspended. After the BLANK CHECK operation has completed, any valid command can be issued.

**Table 27: BLANK CHECK Command Bus Cycles**

Command	Setup WRITE Cycle Address Bus	Setup WRITE Cycle Data Bus	Confirm WRITE Cycle Address Bus	Confirm WRITE Cycle Data Bus
BLANK CHECK	Block address	00BCh	Block address	00D0h



## Block Lock

Two methods of block lock control are available: software and hardware. Software control uses the BLOCK LOCK and BLOCK UNLOCK commands. Hardware control uses the BLOCK LOCK-DOWN command along with asserting WP#.

Upon power-up or exit from reset, all main array blocks are locked, but not locked down. Locked blocks cannot be erased or programmed. BLOCK LOCK and UNLOCK operations are independent of the voltage level on V<sub>pp</sub>.

To lock, unlock, or lock-down a block, first issue the SETUP command to any address within the desired block. The read mode of the addressed partition is automatically changed to read status register mode. Next, issue the desired CONFIRM command to the block's address. Note that the CONFIRM command determines the operation performed. The status register should be checked for any errors, and then cleared.

The lock status of a block can be determined by issuing the READ ID command, and then reading from the block's base address + 02h. See the table below table for the lock-bit settings.

Blocks cannot be locked or unlocked while being actively programmed or erased. Blocks can be locked or unlocked during erase suspend, but not during program suspend. If a BLOCK ERASE operation is suspended, and then the block is locked or locked down, the lock status of the block will be changed immediately. When resumed, the ERASE operation will still complete.

Block lock-down protection is dependent on WP#. A locked-down block can only be unlocked by issuing the BLOCK UNLOCK command with WP# de-asserted. To return an unlocked block to the locked-down state, a BLOCK LOCK-DOWN command must be issued prior to asserting WP#.

When WP# = V<sub>IL</sub>, blocks locked down are locked, and cannot be unlocked using the BLOCK UNLOCK command.

When WP# = V<sub>IH</sub>, block lock-down protection is disabled; locked-down blocks can be individually unlocked using the BLOCK UNLOCK command.

Subsequently, when WP# = V<sub>IL</sub>, previously locked-down blocks are once again locked and locked-down, including locked-down blocks that may have been unlocked while WP# was de-asserted.

Issuing the BLOCK LOCK-DOWN command to an unlocked block does not lock the block. However, asserting WP# after issuing the BLOCK LOCK-DOWN command locks (and locks down) the block. Lock-down for all blocks is only cleared upon power-up or exit from reset.

**Table 28: BLOCK LOCK Command Bus Cycles**

Command	Setup WRITE Cycle Address Bus	Setup WRITE Cycle Data Bus	Confirm WRITE Cycle Address Bus	Confirm WRITE Cycle Data Bus
BLOCK LOCK	Block address	0060h	Block address	0001h
BLOCK UNLOCK	Block address	0060h	Block address	00D0h

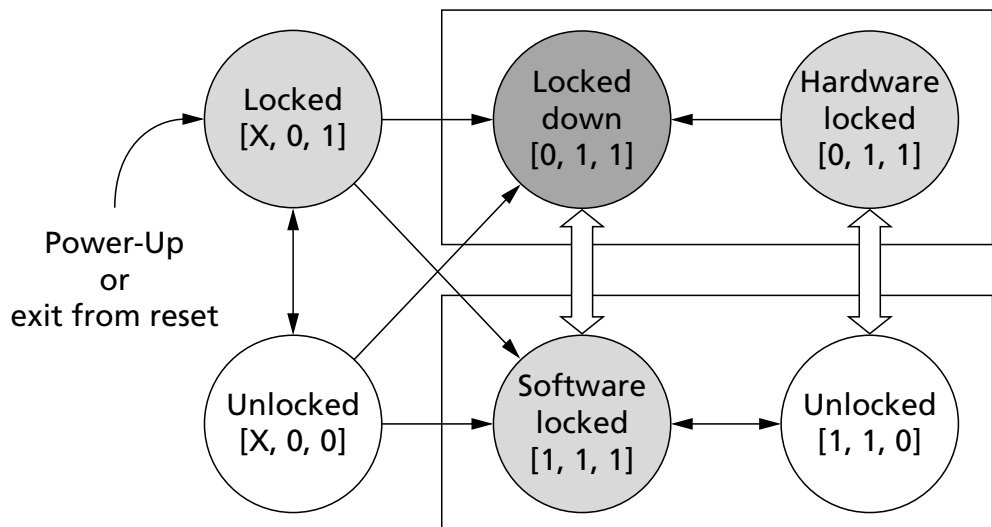
**Table 28: BLOCK LOCK Command Bus Cycles (Continued)**

Command	Setup WRITE Cycle Address Bus	Setup WRITE Cycle Data Bus	Confirm WRITE Cycle Address Bus	Confirm WRITE Cycle Data Bus
BLOCK LOCK-DOWN	Block address	0060h	Block address	002Fh

**Table 29: Block Lock Configuration**

Block Lock Configuration	Block Base Address	Bit
Block is unlocked	Block base address = 0x02	DQ0 = 0b0
Block is locked	Block base address = 0x02	DQ0 = 0b1
Block is not locked down	Block base address = 0x02	DQ1 = 0b0
Block is locked down	Block base address = 0x02	DQ1 = 0b1

**Figure 14: BLOCK LOCK Operations**



↔ Software control (LOCK, UNLOCK, LOCK-DOWN command)

⇔ Hardware control (WP#)

- Notes:
1. The [n,n,n] denotes logical state of WP#, DQ1, and DQ0, respectively; X = "Don't Care."
  2. The [0,1,1] states should be tracked by system software to differentiate between the hardware-locked state and the lock-down state.

## One-Time Programmable Operations

The device contains sixteen 128-bit one-time programmable (OTP) blocks, two 64-bit OTP blocks, and two 16-bit OTP lock registers. OTP lock register 0 is used for locking OTP blocks 0 and 1 (two 64-bit blocks), and OTP lock register 1 is used for locking OTP blocks 2 through 17 (sixteen 128-bit blocks).

Each block contains OTP bits that are factory set to 1 and can only be programmed from 1 to 0; OTP block bits cannot be erased from 0 back to 1. This feature makes the OTP blocks particularly useful for implementing system-level security schemes, permanently storing data, or storing fixed system parameters.

OTP block 0 is pre-programmed with a unique 64-bit value and locked at the factory. OTP block 1 contains all 1s and is user-programmable. OTP blocks 1 through 16 contain all 1s and are user-programmable.

Each OTP block can be accessed multiple times to program individual bits, as long as the block remains unlocked. When a lock register bit is programmed, the associated OTP block can only be read—it can no longer be programmed.

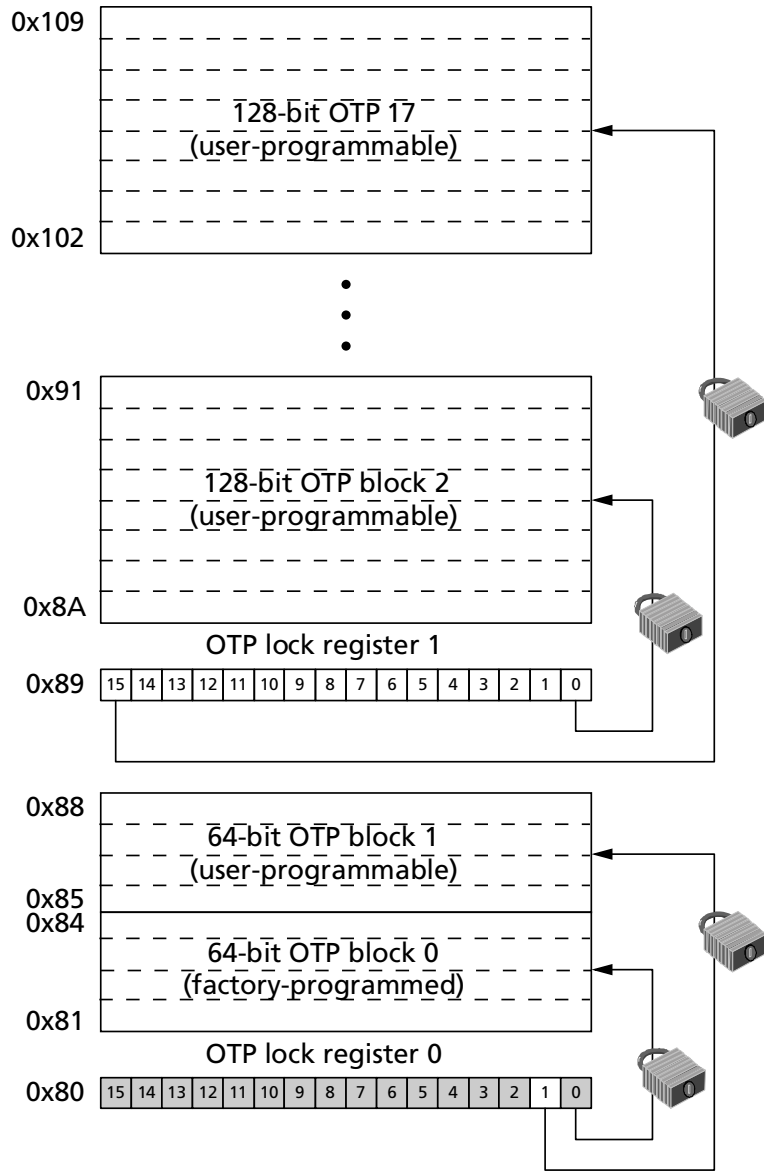
OTP lock register bits lock out subsequent programming of the corresponding OTP block. Each OTP block can be locked by programming its corresponding lock bit to 0. As long as an OTP block remains unlocked (that is, its lock bit = 1), any of its remaining 1 bits can be programmed to 0.

**Note:** Once an OTP block is locked, it cannot be unlocked. Attempts to program a locked OTP block will fail with error bits set. Additionally, because the lock register bits themselves are OTP, when programmed, lock register bits cannot be erased. Therefore, when an OTP block is locked, it cannot be unlocked.

**Table 30: Program OTP Area Command Bus Cycles**

Command	Setup WRITE Cycle Address Bus	Setup WRITE Cycle Data Bus	Confirm WRITE Cycle Address Bus	Confirm WRITE Cycle Data Bus
PROGRAM OTP AREA	Device address	00C0h	OTP register address	Register data

Figure 15: OTP Area Map



## Programming OTP Area

OTP area programming is performed 16 bits at a time; only zeros within the data word affect any change to the OTP bits.

To program any OTP blocks or lock registers, first issue the PROGRAM OTP AREA SETUP command at any device address. The read state of that partition changes to read status. Next, write the desired OTP data at the desired OTP address.

Attempting to program outside of the OTP area causes a program error (SR[4] = 1).

Attempting to program a locked OTP block causes a program error and a lock error (SR[4] = 1, SR[1] = 1).

OTP area programming cannot be suspended. Dual operations between the parameter partition and the OTP area are not allowed.

## Reading OTP Area

The OTP area is read from within the address space of any partition. To read from the OTP area, the following must be done:

1. Issue the READ ID command at the address of any partition to place that partition in the read ID state.
2. Perform a READ operation at the base address of that partition, plus the address offset corresponding to the OTP word to be read. Data is read 16 bits at a time.

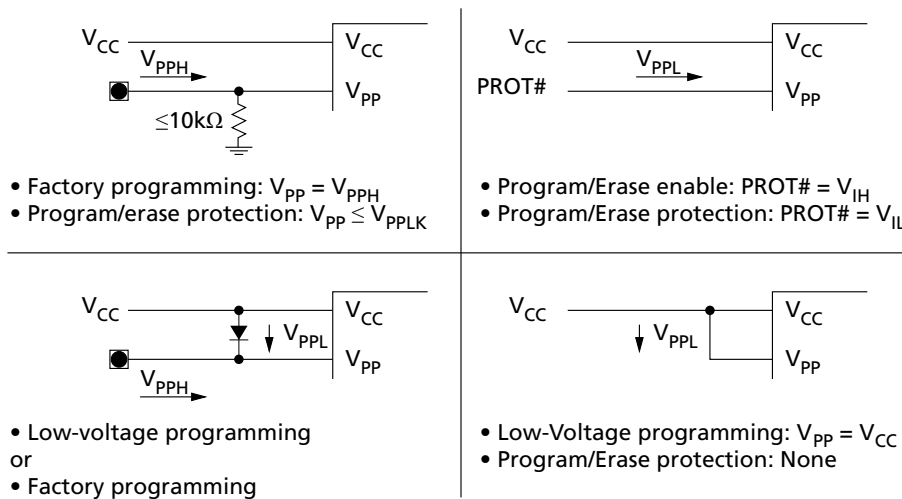
If a PROGRAM or ERASE operation occurs within the device while it is reading from the OTP area, certain restrictions may apply.

## Global Main-Array Protection

Global main-array protection can be implemented by controlling  $V_{pp}$ . When programming or erasing main-array blocks,  $V_{pp}$  must be equal to or greater than  $V_{PPL, min}$ . When  $V_{pp}$  is below  $V_{PPLK}$ , PROGRAM or ERASE operations are inhibited, thus providing absolute protection of the main array.

Various methods exist for controlling  $V_{pp}$ , ranging from simple logic control to off-board voltage control. The following figure shows example  $V_{pp}$  supply connections that can be used to support PROGRAM or ERASE operations and main-array protection.

**Figure 16:  $V_{pp}$  Supply Connection Example**



## Dual Operation

Multipartition architecture of the device enables reading from one partition while a PROGRAM or ERASE operation is occurring in another partition. This is called read-while-program and read-while-erase, respectively.

Only status reads are allowed from a partition that is busy programming or erasing. If non-status reads are required from a partition that is busy programming or erasing, the PROGRAM or ERASE operation must be suspended first.

**Table 31: Dual Operation Restrictions**

The following table shows the allowed dual operations between array operations and non-array operations

Read	Program or Erase Main Partition	Program OTP Area
Main Partition	Yes (except busy partition)	Yes (except busy partition)
Status	Yes	Yes
ID, OTP, or CFI	Yes (except busy partition)	No

## Power and Reset Specifications

### Initialization

Proper device initialization and operation is dependent on the power-up/down sequence, reset procedure, and adequate power-supply decoupling.

### Power-Up and Down

To avoid conditions that may result in spurious PROGRAM or ERASE operations, the power sequences shown below are recommended. Note that each power supply must be at its minimum voltage range before applying or removing the next supply voltage in the sequence. Also, device inputs must not be driven until all supply voltages have attained their minimum range, and RST# should be LOW during all power transitions.

When powering down the device, voltages should reach 0V before power is reapplied to ensure proper device initialization. Otherwise, indeterminate operation could result.

When  $V_{CCQ}$  goes below  $V_{LKOQ}$ , the device is reset.

**Table 32: Power Sequencing**

Power Supply	Power-Up Sequence				Power-Down Sequence			
$V_{CC,min}$	First	First	First <sup>1</sup>	First <sup>1</sup>	Third	Second	Second <sup>1</sup>	Second <sup>1</sup>
$V_{CCQ,min}$	Second	Second <sup>1</sup>	First <sup>1</sup>	Second	Second	First <sup>1</sup>	Second <sup>1</sup>	First
$V_{PP,min}$	Third	Second <sup>1</sup>	Second	First <sup>1</sup>	First	First <sup>1</sup>	First	Second <sup>1</sup>

Note: 1. Connected/sequenced together.

### Reset

During power-up and power-down, RST# should be asserted to prevent spurious PROGRAM or ERASE operations. While RST# is LOW, device operations are disabled, all inputs such as address and control are ignored, and all outputs such as data and WAIT are placed in High-Z. Invalid bus conditions are effectively masked out.

Upon power-up, RST# can be de-asserted after  $t_{VCCPH}$ , allowing the device to exit from reset. Upon exiting from reset, the device defaults to asynchronous read array mode, and the status register defaults to 0080h. Array data is available after  $t_{PHQV}$ , or a bus WRITE cycle can begin after  $t_{PHWL}$ . If RST# is asserted during a PROGRAM or ERASE operation, the operation will abort and array contents at that location will be invalid.

For proper system initialization, connect RST# to the LOW true reset signal that asserts whenever the processor is reset. This will ensure the device is in the expected read mode (read array) upon startup.



Figure 17: RESET Operation Waveforms

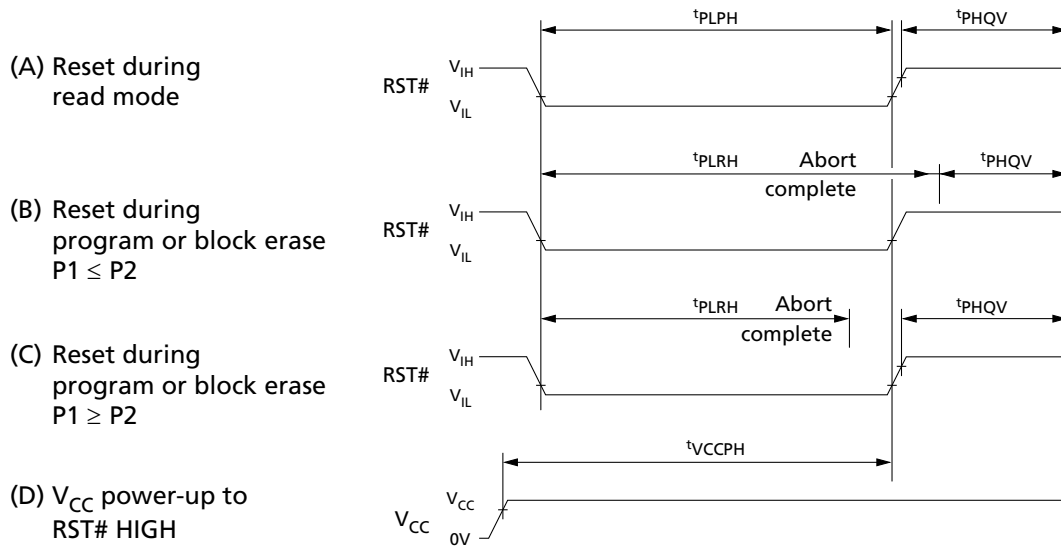


Table 33: Reset Specifications

Note 1 applies to all

Parameter	Symbol	Min	Max	Unit	Notes
RST# pulse width LOW	$t_{PLPH}$	100	–	ns	2, 3, 6
RST# LOW to device reset during erase	$t_{PLRH}$	–	25	$\mu$ s	3, 6
RST# LOW to device reset during program		–	25		3, 6
$V_{CC}$ power valid to RST# de-assertion (HIGH)	$t_{VCCPH}$	300	–		4, 5

- Notes:
1. These specifications are valid for all packages and speeds, and are sampled, not 100% tested.
  2. The device might reset if  $t_{PLPH}$  is  $< t_{PLPH}$  MIN, but this is not guaranteed.
  3. Not applicable if RST# is tied to  $V_{CCQ}$ .
  4. If RST# is tied to the  $V_{CC}$  supply, the device is not ready until  $t_{VCCPH}$  after  $V_{CC} \geq V_{CC,min}$ .
  5. If RST# is tied to any supply/signal with  $V_{CCQ}$  voltage levels, the RST# input voltage must not exceed  $V_{CC}$  until  $V_{CC} \geq V_{CC,min}$ .
  6. Reset completes within  $t_{PLPH}$  if RST# is asserted while no ERASE or PROGRAM operation is executing.

## Automatic Power Saving

Automatic power saving provides low-power operation following reads during active mode. After data is read from the memory array and the address lines are quiescent, automatic power savings automatically places the device into standby. In automatic power savings, device current is reduced to  $I_{CCAPS}$ .

## Deep Power-Down

The lowest power state of the memory device is deep power-down (DPD). To enter DPD mode, the following three conditions must be met (in any order):

- Extended configuration register bit 15 must be set to 1
- RST# and CE# must be de-asserted
- The DPD input pin must be asserted

If the device is placed in DPD mode during a PROGRAM or ERASE operation, the operation is aborted. The memory contents at the aborted address or block will no longer be valid. If the device is placed in DPD mode while suspended, the operation cannot be resumed.

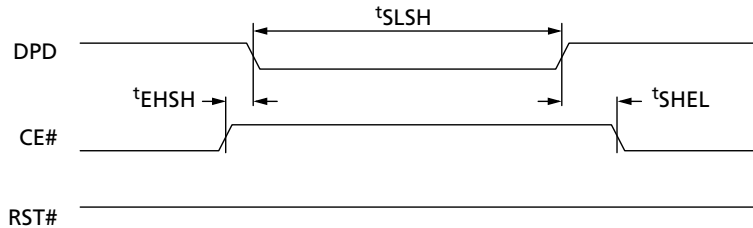
While in DPD state, all inputs are ignored except for DPD and RST#. Partition read modes, configuration register contents, and block lock bit settings are preserved. The status register will be reset to 0080h, and the error bits are cleared.

To exit DPD mode, the DPD input pin must be de-asserted. An exit delay occurs before the device returns to standby, and before any operations can be performed (see AC Specifications).

**Table 34: Deep Power-Down Specifications**

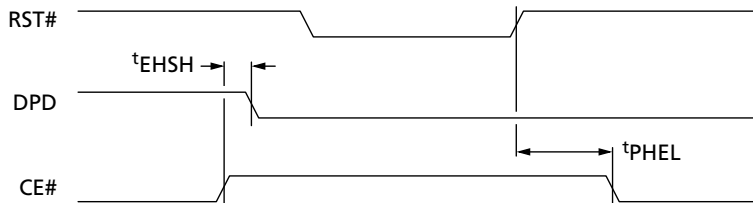
Parameter	Symbol	Min	Max	Unit
DPD asserted pulse width; DPD must remain asserted for the duration of the mode; DPD current levels are achieved 40 $\mu$ s after entering the DPD mode	$t^{SLSH}$ ( $t^{SHSL}$ )	100	–	ns
CE# HIGH to DPD asserted	$t^{EHS}$ ( $t^{EHS}$ )	0	–	$\mu$ s
DPD de-asserted to CE# LOW	$t^{SHEL}$ ( $t^{SLEL}$ )	75	–	$\mu$ s
RST# HIGH during DPD state to CE# LOW (DPD de-asserted to CE# LOW)	$t^{PHEL}$	75	–	$\mu$ s

**Figure 18: Deep Power-Down Operation Timing**



Note: 1. DPD pin is LOW-true (ECR[14] = 0).

**Figure 19: Reset During Deep Power-Down Operation Timing**



Note: 1. DPD pin is LOW-true (ECR[14] = 0).

## Power Supply Decoupling

Flash memory devices require careful power supply decoupling to prevent external transient noise from affecting device operations, and to prevent internally generated transient noise from affecting other devices in the system.

Ceramic chip capacitors of 0.01 $\mu$ F to 0.1 $\mu$ F should be used between all  $V_{CC}$ ,  $V_{CCQ}$ , and  $V_{PP}$  supply connections and system ground. These high-frequency, inherently low-inductance capacitors should be placed as close as possible to the device package, or on the opposite side of the printed circuit board close to the center of the device package footprint.

Larger (4.7 $\mu$ F to 33.0 $\mu$ F) electrolytic or tantalum bulk capacitors should also be distributed as needed throughout the system to compensate for voltage sags and surges caused by circuit trace inductance.

Transient current magnitudes depend on the capacitive and inductive loading on the device's outputs. For best signal integrity and device performance, high-speed design rules should be used when designing the printed-circuit board. Circuit-trace impedances should match output-driver impedance with adequate ground-return paths. This will help minimize signal reflections (overshoot/undershoot) and noise caused by high-speed signal edge rates.

## Electrical Specifications

Stresses greater than those listed may cause permanent damage to the device. This is a stress rating only. Exposure to absolute maximum rating and operating conditions for extended periods may adversely affect reliability. Stressing the device beyond the absolute maximum ratings may cause permanent damage. These are stress ratings only.

**Table 35: Absolute Maximum Ratings**

Parameter	Min	Max	Units	Notes
Temperature under bias ( $T_A$ )	-40	85	°C	5
Storage temperature ( $T_A$ )	-65	125	°C	5
$V_{PP}$ voltage	-2.0	11.5	V	1, 2, 3
$V_{CC}$ voltage	-2.0	$V_{CCQ} + 2.0$	V	1
Voltage on any input/output signal (except $V_{CC}$ , $V_{CCQ}$ , and $V_{PP}$ )	-2.0	$V_{CCQ} + 2.0$	V	2
$V_{CCQ}$ voltage	-0.2	$V_{CCQ} + 2.0$	V	1
$V_{PPH}$ time	-	80	hours	3
Output short circuit current	-	100	mA	4
Block PROGRAM/ERASE cycles: Main blocks	100,000	-	Cycles	3

- Notes:
1. Voltages shown are specified with respect to  $V_{SS}$ . During transitions, the voltage potential between  $V_{SS}$  and input/output and supply pins may undershoot to -1.0V for periods less than 20ns and may overshoot to  $V_{CCQ}(MAX) + 1.0V$  for periods less than 20ns.
  2. Voltages shown are specified with respect to  $V_{SS}$ . During transitions, the voltage potential between  $V_{SS}$  and supply pins may undershoot to -2.0V for periods less than 20ns and may overshoot to  $V_{CC}(MAX) + 2.0V$  for periods less than 20ns.
  3. Operation beyond this limit may degrade performance.
  4. Output shorted for no more than one second; no more than one output shorted at a time.
  5. Temperature specified is ambient ( $T_A$ ), not case ( $T_C$ ).

**Table 36: Operating Conditions**

Symbol	Parameter	Min	Max	Units	Notes
$T_A$	Operating temperature	-40	85	°C	1
$V_{CC}$	$V_{CC}$ supply voltage	1.7	2.0	V	
$V_{CCQ}$	I/O supply voltage	1.7	2.0	V	
$V_{PPL}$	$V_{PP}$ voltage supply (logic level)	0.9	2.0	V	
$V_{PPH}$	Factory programming $V_{PP}$	8.5	9.5	V	

Note: 1.  $T_A$  = Temperature specified is ambient ( $T_A$ ), not case ( $T_C$ ).



## Electrical Specifications – DC Current and Voltage Characteristics and Operating Conditions

**Table 37: DC Current Characteristics and Operating Conditions**

Parameter	Symbol	Conditions	Density (Mb)	1.7 V - 2.0 V		Unit	Notes
				Typ	Max		
<b>Input Load, Output Leakage, Standby</b>							
Input load current	$I_{LI}$	$V_{CC} = V_{CC,max}; V_{CCQ} = V_{CCQ,max}; V_{IN} = V_{CCQ}$ or $V_{SS}$	–	–	±1	µA	1
Output leakage current	$I_{LO}$	$V_{CC} = V_{CC,max}; V_{CCQ} = V_{CCQ,max}; V_{IN} = V_{CCQ}$ or $V_{SS}$	–	–	±1	µA	1
$V_{CC}$ standby	$I_{CCS}, I_{CCD}$	$V_{CC} = V_{CC,max}; V_{CCQ} = V_{CCQ,max}; CE\# = V_{CCQ}; RST\# = V_{CCQ}$ or GND (for $I_{CCS}$ ); $WP\# = V_{IH}$	256 512 1024	50 60 70	130 160 185	µA	1, 2
<b>Average <math>V_{CC}</math> Read</b>							
Average $V_{CC}$ read current; Asynchronous single-word read; $f = 5$ MHz; 1 CLK	$I_{CCR}$	$V_{CC} = V_{CC,max}; CE\# = V_{IL}; OE\# = V_{IH};$ Inputs: $V_{IL}$ or $V_{IH}$	–	25	30	mA	1, 3, 4
Average $V_{CC}$ read current; Page mode read; $f = 13$ MHz; 17 CLK; Burst = 16-word	$I_{CCR}$	$V_{CC} = V_{CC,max}; CE\# = V_{IL}; OE\# = V_{IH};$ Inputs: $V_{IL}$ or $V_{IH}$	–	11	15	mA	1, 3, 4
Average $V_{CC}$ read current; Synchronous burst read; $f = 66$ MHz; LC = 7; Burst = 8-word; Burst = 16-word; Burst = Continuous	$I_{CCR}$	$V_{CC} = V_{CC,max}; CE\# = V_{IL}; OE\# = V_{IH};$ Inputs: $V_{IL}$ or $V_{IH}$	–	22 19 25	32 26 34	mA	1, 3, 4
Average $V_{CC}$ read current; Synchronous burst read; $f = 108$ MHz; LC = 10; Burst = 8-word; Burst = 16-word; Burst = Continuous	$I_{CCR}$	$V_{CC} = V_{CC,max}; CE\# = V_{IL}; OE\# = V_{IH};$ Inputs: $V_{IL}$ or $V_{IH}$	–	26 23 30	36 30 42	mA	1, 3, 4
Average $V_{CC}$ read current; Synchronous burst read; $f = 133$ MHz; LC = 13; Burst = 8-word; Burst = 16-word; Burst = Continuous	$I_{CCR}$	$V_{CC} = V_{CC,max}; CE\# = V_{IL}; OE\# = V_{IH};$ Inputs: $V_{IL}$ or $V_{IH}$	–	26 24 40	35 33 46	mA	1, 3, 4
<b><math>V_{CC}</math> Program, Erase, Blank Check</b>							

**Table 37: DC Current Characteristics and Operating Conditions (Continued)**

Parameter	Symbol	Conditions	Density (Mb)	1.7 V - 2.0 V		Unit	Notes
				Typ	Max		
V <sub>CC</sub> Program V <sub>CC</sub> Erase V <sub>CC</sub> Blank Check	I <sub>CCW</sub> , I <sub>CCE</sub> , I <sub>CCBC</sub>	V <sub>PP</sub> = V <sub>PPL</sub> or V <sub>PP</sub> = V <sub>PPH</sub> ; Program/erase in progress	–	45 35 40	55	mA	1, 3, 4, 5
V <sub>CC</sub> Program suspend V <sub>CC</sub> Erase suspend	I <sub>CCWS</sub> , I <sub>CCES</sub>	CE# = V <sub>CCQ</sub> ; Suspend in progress	256 512 1024	50 60 70	130 160 185	μA	1, 3, 6
<b>V<sub>PP</sub> Program, Read, Erase, Blank Check, Standby</b>							
V <sub>PP</sub> standby current; V <sub>PP</sub> program suspend current; V <sub>PP</sub> erase suspend current	I <sub>PPS</sub> , I <sub>PPWS</sub> , I <sub>PPES</sub>	V <sub>PP</sub> = V <sub>PPL</sub> ; Suspend in progress	–	0.2	5	μA	3
V <sub>PP</sub> read	I <sub>PPR</sub>	V <sub>PP</sub> ≤ V <sub>CC</sub>	–	2	15	μA	3
V <sub>PP</sub> program current	I <sub>PPW</sub>	V <sub>PP</sub> = V <sub>PPL</sub> = V <sub>PPH</sub> ; Program in progress	–	0.05	0.10	mA	3
V <sub>PP</sub> erase current	I <sub>PPE</sub>	V <sub>PP</sub> = V <sub>PPL</sub> = V <sub>PPH</sub> ; Erase in progress	–	0.05	0.10	mA	3
V <sub>PP</sub> blank check current	I <sub>PPBC</sub>	V <sub>PP</sub> = V <sub>PPL</sub> = V <sub>PPH</sub> ; Blank check in progress	–	0.05	0.10	mA	3
<b>Automatic Power Savings</b>							
Automatic power savings	I <sub>CCAPS</sub>	V <sub>CC</sub> = V <sub>CC,max</sub> ; V <sub>CCQ</sub> = V <sub>CCQ,max</sub> ; CE# = V <sub>SSQ</sub> ; RST# = V <sub>CCQ</sub> ; All inputs are at rail-to-rail (V <sub>CCQ</sub> or V <sub>SSQ</sub> )	256 512 1024	50 60 70	130 165 185	μA	–

- Notes:
1. All currents are RMS unless noted. Typical values at typical V<sub>CCQ</sub>, T<sub>A</sub> = +25°C.
  2. I<sub>CCS</sub> is the average current measured over any 5ms time interval 5μs after CE# is de-asserted.
  3. Sampled, not 100% tested.
  4. V<sub>CC</sub> read + program current is the sum of V<sub>CC</sub> read and V<sub>CC</sub> program currents. V<sub>CC</sub> read + erase current is the sum of V<sub>CC</sub> read and V<sub>CC</sub> erase currents.
  5. I<sub>CCW</sub>, I<sub>CCE</sub> is measured over typical or max times specified in Program and Erase Characteristics.
  6. I<sub>CCES</sub> is specified with the device deselected. If the device is read while in erase suspend, current is I<sub>CCES</sub> + I<sub>CCR</sub>.



**Table 38: DC Voltage Characteristics and Operating Conditions**

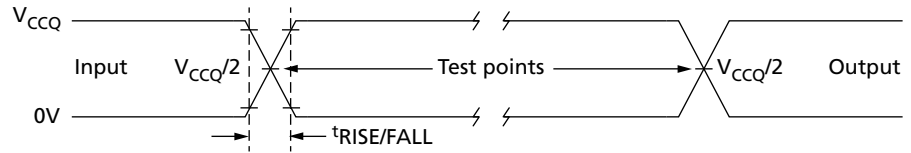
Parameter	Symbol	Conditions	V <sub>CCQ</sub> = 1.7V - 2.0V		Unit	Notes
			Min	Max		
Input low voltage	V <sub>IL</sub>	–	0	0.45	V	1
Input high voltage	V <sub>IH</sub>	–	V <sub>CCQ</sub> - 0.45	V <sub>CCQ</sub>	V	1
Output low voltage	V <sub>OL</sub>	V <sub>CC</sub> = V <sub>CC,min</sub> ; V <sub>CCQ</sub> = V <sub>CCQ,min</sub> ; I <sub>OL</sub> = 100μA	–	0.1	V	
Output high voltage	V <sub>OH</sub>	V <sub>CC</sub> = V <sub>CC,min</sub> ; V <sub>CCQ</sub> = V <sub>CCQ,min</sub> ; I <sub>OL</sub> = 100μA	V <sub>CCQ</sub> - 0.1	–	V	
V <sub>PP</sub> lockout voltage	V <sub>PPLK</sub>	–	–	0.4	V	2
V <sub>CC</sub> lock voltage	V <sub>LKO</sub>	–	1.0	–	V	
V <sub>CCQ</sub> lock voltage	V <sub>LKOQ</sub>	–	0.8	–	V	

- Notes:
1. Input voltages can undershoot to –1.0V and overshoot to V<sub>CCQ</sub> + 1V for durations of 2ns or less.
  2. V<sub>PP</sub> < V<sub>PPLK</sub> inhibits ERASE and PROGRAM operations. Do not use V<sub>PP</sub>L and V<sub>PP</sub>H outside of their valid ranges.

## Electrical Specifications – AC Characteristics and Operating Conditions

### AC Test Conditions

Figure 20: AC Input/Output Reference Waveform



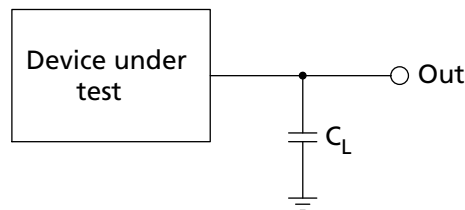
Note: 1. AC test inputs are driven at  $V_{CCQ}$  for Logic 1, and 0.0V for Logic 0. Input/output timing begins/ends at  $V_{CCQ}/2$ . Input rise and fall times (10% to 90%) <5ns. Worst-case speed occurs at  $V_{CC} = V_{CC,min}$ .

Table 39: AC Input Requirements

Parameter	Symbol	Frequency	Min	Max	Unit	Condition	Notes
Inputs rise/fall time (Address, CLK, CE#, OE#, ADV#, WE#, WP#)	$t_{RISE/FALL}$	@133 MHz, 108 MHz	0.3	1.2	ns	$V_{IL}$ to $V_{IH}$ or $V_{IH}$ to $V_{IL}$	–
		@66 MHz	0	3			
Address-address skew	$t_{ASKW}$		0	3	ns	@ $V_{CCQ}/2$	1

Note: 1. For an address to be latched the skew is defined as the time when the first address bit is valid to the last address bit going valid.

Figure 21: Transient Equivalent Testing Load Circuit



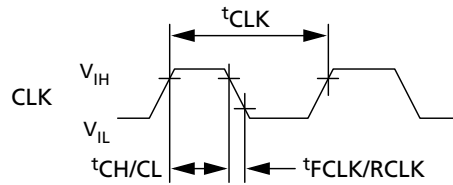
Notes: 1. See Test Configuration Load Capacitor Values for Worst Case Speed Conditions table for component values for the test configurations.  
2.  $C_L$  includes jig capacitance.

Table 40: Test Configuration Load Capacitor Values for Worst Case Speed Conditions

Test Configuration	$C_L$ (pF)
1.7V Standard test	30
2.0V Standard test	30



**Figure 22: Clock Input AC Waveform**



**Table 41: Capacitance**

Notes apply to all parameters.

Parameter	Symbol	Signals	Min	Typ	Max	Unit	Test Condition
Input capacitance	C <sub>IN</sub>	Address, CLK, CE#, OE#, ADV#, WE#, WP#, and RST#	2	4	6	pF	V <sub>IN</sub> = 0–2.0V
Output capacitance	C <sub>OUT</sub>	Data, WAIT	2	5	6	pF	V <sub>OUT</sub> = 0–2.0V

- Notes:
1. T<sub>A</sub> = +25°C, f = 1 MHz.
  2. Sampled, not 100% tested.
  3. Silicon die capacitance only. For discrete packages, add 1pF. For stacked packages, total capacitance = 2pF + sum of silicon die capacitances.

## AC Read Specifications

**Table 42: AC Read Specifications (CLK-Latching, 133 MHz),  $V_{CCQ} = 1.7V$  to  $2.0V$** 

Note 1 applies to all parameters

Parameter	Symbol	96ns		Unit	Notes
		Min	Max		
<b>Asynchronous Specifications</b>					
READ cycle time	$t_{AVAV}$	96	–	ns	
Address to output valid	$t_{AVQV}$	–	96	ns	
CE# LOW to output valid	$t_{ELQV}$	–	96	ns	
OE# LOW to output valid	$t_{GLQV}$	–	7	ns	2
RST# HIGH to output valid	$t_{PHQV}$	–	150	ns	
CE# LOW to output in Low-Z	$t_{ELQX}$	0	–	ns	3
OE# LOW to output in Low-Z	$t_{GLQX}$	0	–	ns	2, 3
CE# HIGH to output in High-Z	$t_{EHQZ}$	–	7	ns	3
OE# HIGH to output in High-Z	$t_{GHQZ}$	–	7	ns	3
Output hold from first occurring address, CE#, or OE# change	$t_{OH}$	0	–	ns	3
CE# pulse width HIGH	$t_{EHEL}$	7	–	ns	
CE# LOW to WAIT valid	$t_{ELTV}$	–	8	ns	
CE# HIGH to WAIT High-Z	$t_{EHTZ}$	–	7	ns	3
OE# HIGH to WAIT valid (A/D MUX only)	$t_{GHTV}$	–	5.5	ns	
OE# LOW to WAIT valid	$t_{GLTV}$	–	5.5	ns	
OE# LOW to WAIT in Low-Z	$t_{GLTX}$	0	–	ns	3
OE# HIGH to WAIT in High-Z (non-MUX only)	$t_{GHTZ}$	0	7	ns	3
<b>Latching Specifications</b>					
Address setup to ADV# HIGH	$t_{AVVH}$	5	–	ns	
CE# LOW to ADV# HIGH	$t_{ELVH}$	7	–	ns	
ADV# LOW to output valid	$t_{VLQV}$	–	96	ns	
ADV# pulse width LOW	$t_{VLVH}$	7	–	ns	
ADV# pulse width HIGH	$t_{VHVL}$	7	–	ns	
Address hold from ADV# HIGH	$t_{VHAX}$	5	–	ns	
ADV# HIGH to OE# LOW (A/D MUX only)	$t_{VHGL}$	2	–	ns	
Page address access (non-MUX only)	$t_{APA}$	–	15	ns	
RST# HIGH to ADV# HIGH	$t_{PHVH}$	30	–	ns	
<b>Clock Specifications</b>					
CLK frequency	$f_{CLK}$	–	133	MHz	
CLK period	$t_{CLK}$	7.5	–	ns	
CLK HIGH/LOW time	$t_{CH/CL}$	0.45	0.55	CLK period	
CLK fall/rise time	$t_{FCLK/RCLK}$	0.3	1.2	ns	

**Table 42: AC Read Specifications (CLK-Latching, 133 MHz),  $V_{CCQ} = 1.7V$  to  $2.0V$  (Continued)**

Note 1 applies to all parameters

Parameter	Symbol	96ns		Unit	Notes
		Min	Max		
<b>Synchronous Specifications</b>					
Address setup to CLK HIGH	$t_{AVCH}$	2	–	ns	
ADV# LOW setup to CLK HIGH	$t_{VLCH}$	2	–	ns	
CE# LOW setup to CLK HIGH	$t_{ELCH}$	2.5	–	ns	
CLK to output valid	$t_{CHQV}$	–	5.5	ns	
Output hold from CLK HIGH	$t_{CHQX}$	2	–	ns	
Address hold from CLK HIGH	$t_{CHAX}$	1.5	–	ns	
CLK HIGH to WAIT valid	$t_{CHTV}$	–	5.5	ns	
ADV# HIGH hold from CLK	$t_{CHVL}$	2	–	ns	
WAIT hold from CLK	$t_{CHTX}$	1.5	–	ns	
ADV# hold from CLK HIGH	$t_{CHVH}$	2	–	ns	
CLK to OE# LOW (A/D MUX only)	$t_{CHGL}$	2	–	ns	
Read access time from address latching clock	$t_{ACC}$	96	–	ns	
ADV# pulse width LOW for sync reads	$t_{VLVH}$	1	2	clocks	
ADV# HIGH to CLK HIGH	$t_{VHCH}$	2	–	ns	

- Notes:
1. See Electrical Specifications – AC Characteristics and Operating Conditions for timing measurements and MAX allowable input slew rate.
  2. OE# can be delayed by up to  $t_{ELQV} - t_{GLQV}$  after the CE# falling edge without impact to  $t_{ELQV}$ .
  3. Sampled, not 100% tested.

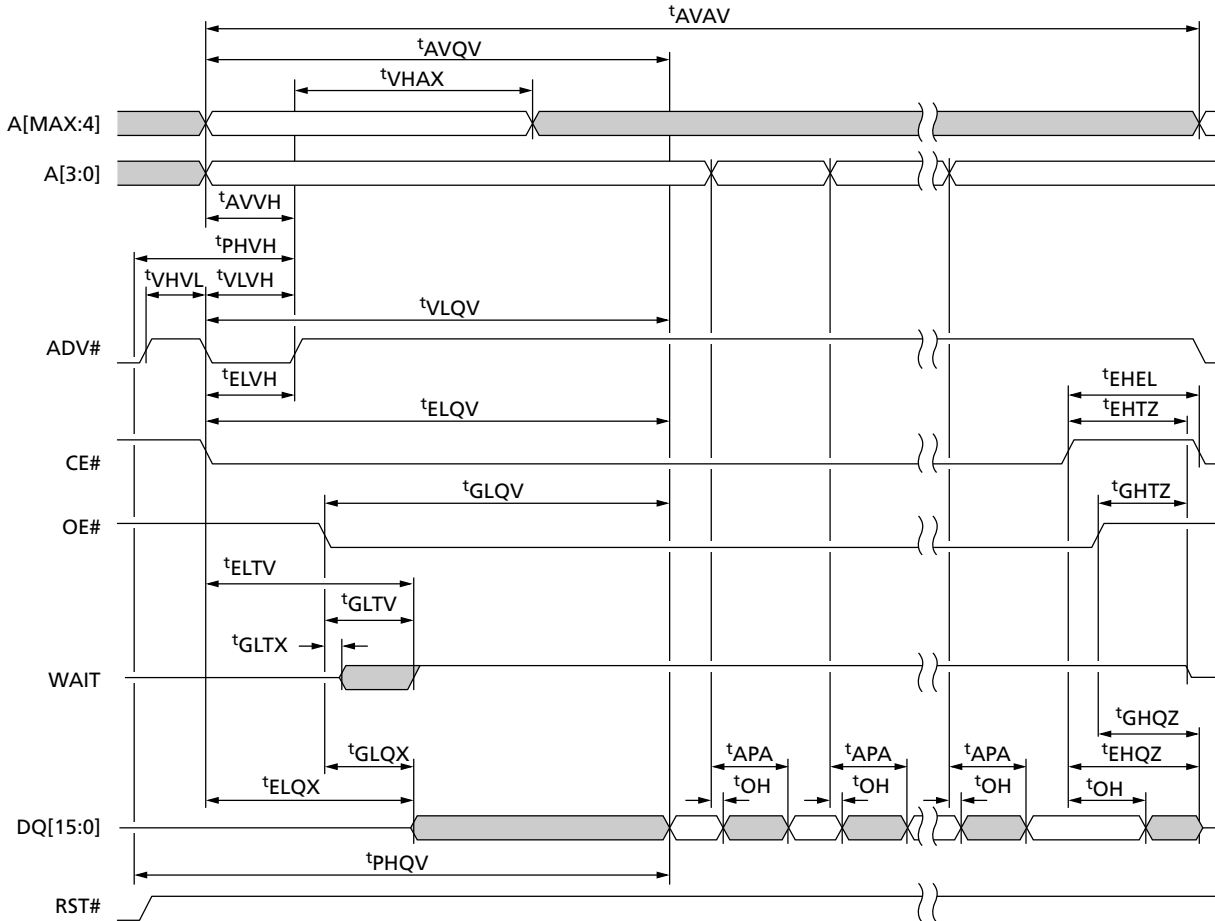
## AC Read Timing

The synchronous read timing waveforms apply to both 108 and 133 MHz devices. However, devices that only support up to 108 MHz do not need to meet the following timing specifications:

- $t_{CHVH}$
- $t_{CHGL}$
- $t_{ACC}$
- $t_{VLVH}$
- $t_{VHCH}$

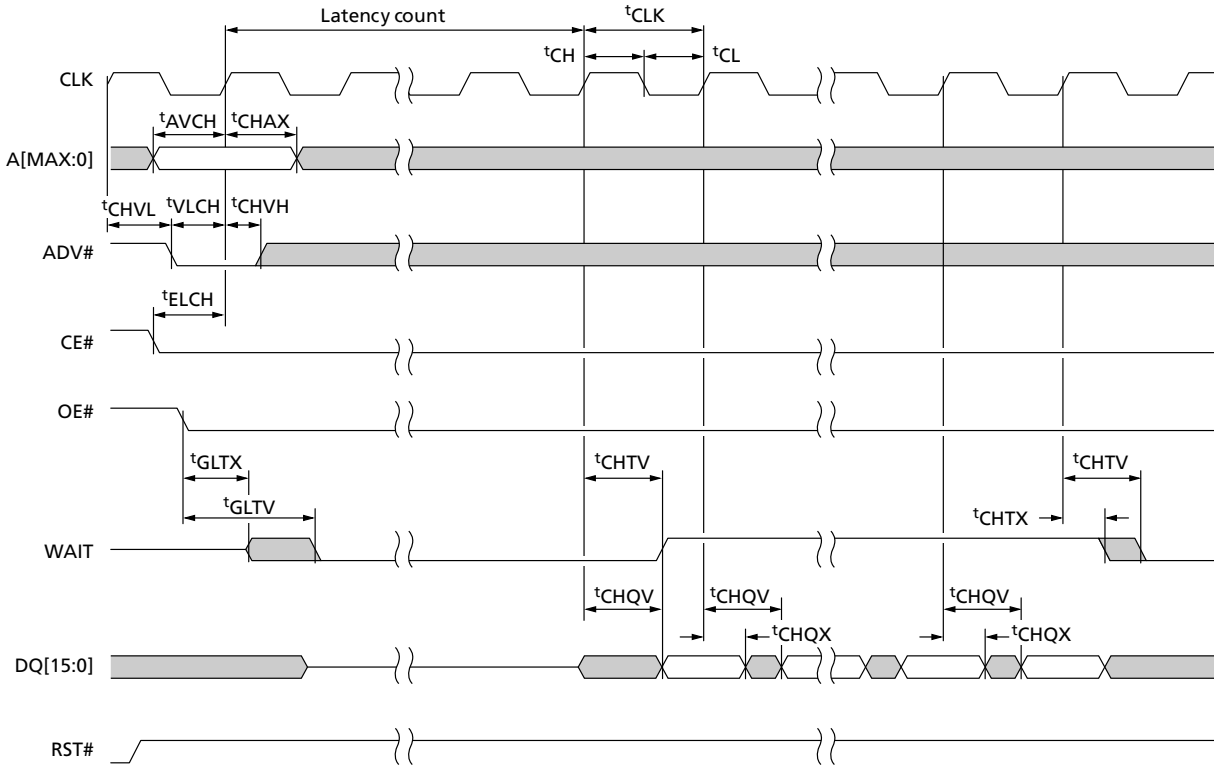
**Note:** The WAIT signal polarity in all the timing waveforms is low-true ( $RCR10 = 0$ ). WAIT is shown as de-asserted with valid data ( $RCR8 = 0$ ). WAIT is de-asserted during asynchronous reads.

Figure 23: Asynchronous Page-Mode Read (Non-MUX)



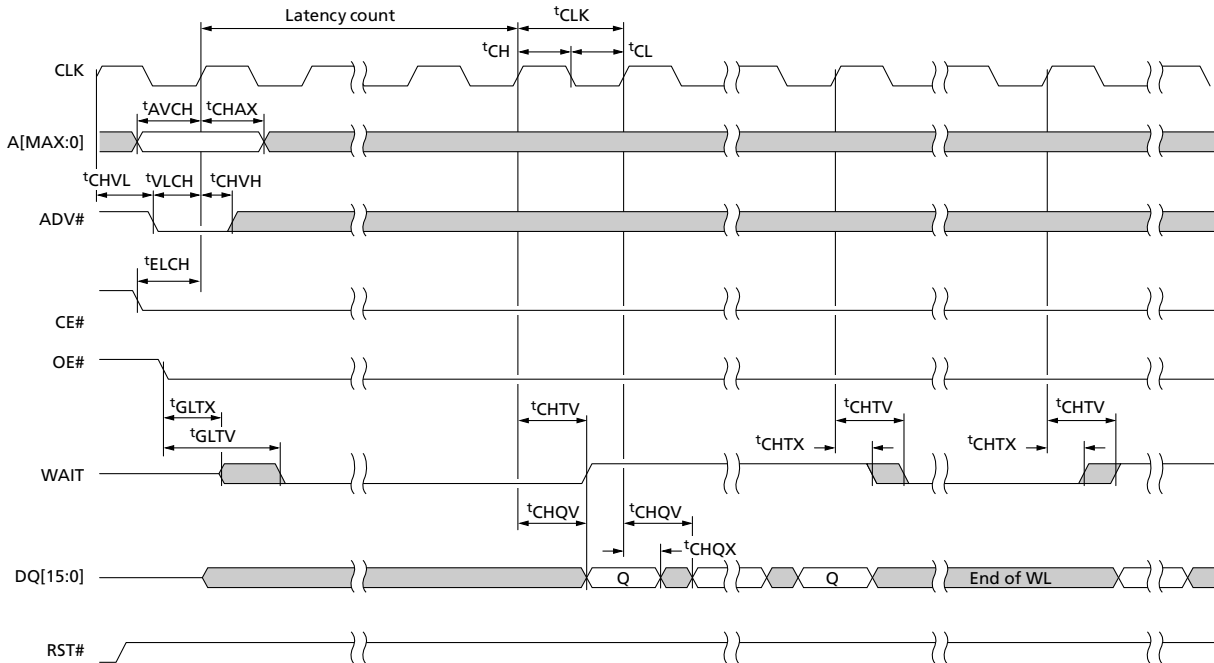
Note: 1. WAIT shown active LOW (RCR[10] = 0).

Figure 24: Synchronous 8- or 16-Word Burst Read (Non-MUX)



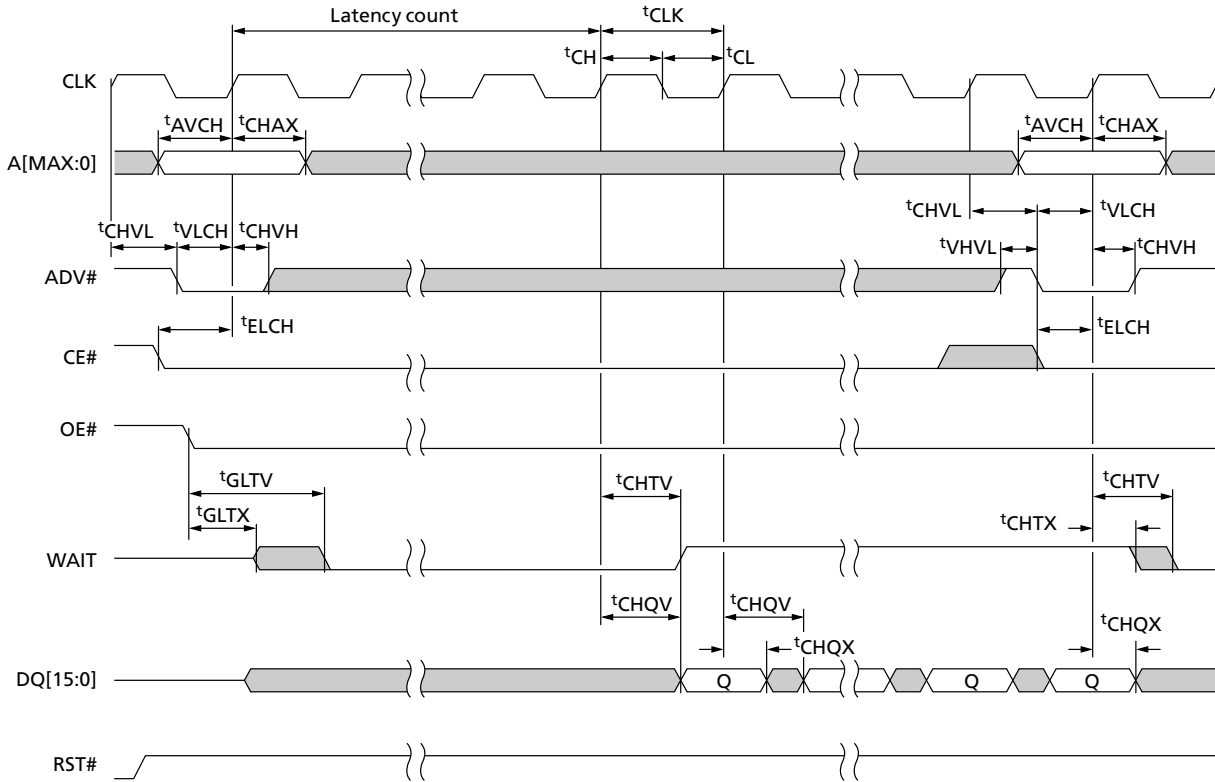
- Notes:
1. 8-word and 16-word burst are always wrap-only.
  2. WAIT shown as active LOW (RCR[10] = 0) and asserted with data (RCR[8] = 0).
  3. ADV# may be held LOW throughout the synchronous READ operation.
  4.  $t_{AVQV}$ ,  $t_{ELQV}$ , and  $t_{VLQV}$  apply to legacy-latching only.
  5.  $t_{ACC}$  and  $t_{VLVH}$  apply to clock-latching only.

Figure 25: Synchronous Continuous Misaligned Burst Read (Non-MUX)



- Notes:
1. WAIT shown as active LOW (RCR[10] = 0) and asserted with data (RCR[8] = 0).
  2. ADV# may be held LOW throughout the synchronous READ operation.
  3.  $t_{AVQV}$ ,  $t_{ELQV}$ , and  $t_{VLQV}$  apply to legacy-latching only.
  4.  $t_{ACC}$  and  $t_{VLVH}$  apply to clock-latching only.

Figure 26: Synchronous Burst with Burst Interrupt Read (Non-MUX)

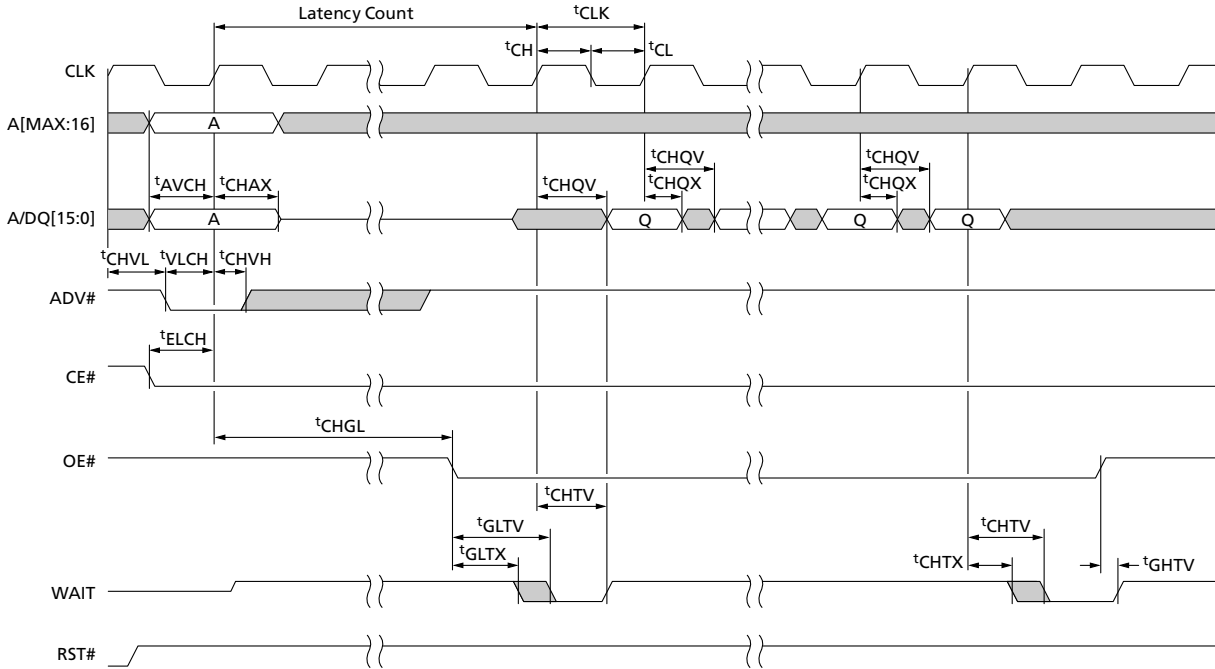


- Notes:
1. WAIT shown as active LOW (RCR[10] = 0) and asserted with data (RCR[8] = 0).
  2. A burst can be interrupted by toggling CE# or ADV#.
  3. For no-wrap bursts, end-of-wordline WAIT states could occur (not shown in this figure).
  4.  $t_{AVQV}$ ,  $t_{ELQV}$ , and  $t_{VLQV}$  apply to legacy-latching only.
  5.  $t_{ACC}$  and  $t_{VLVH}$  apply to clock-latching only.



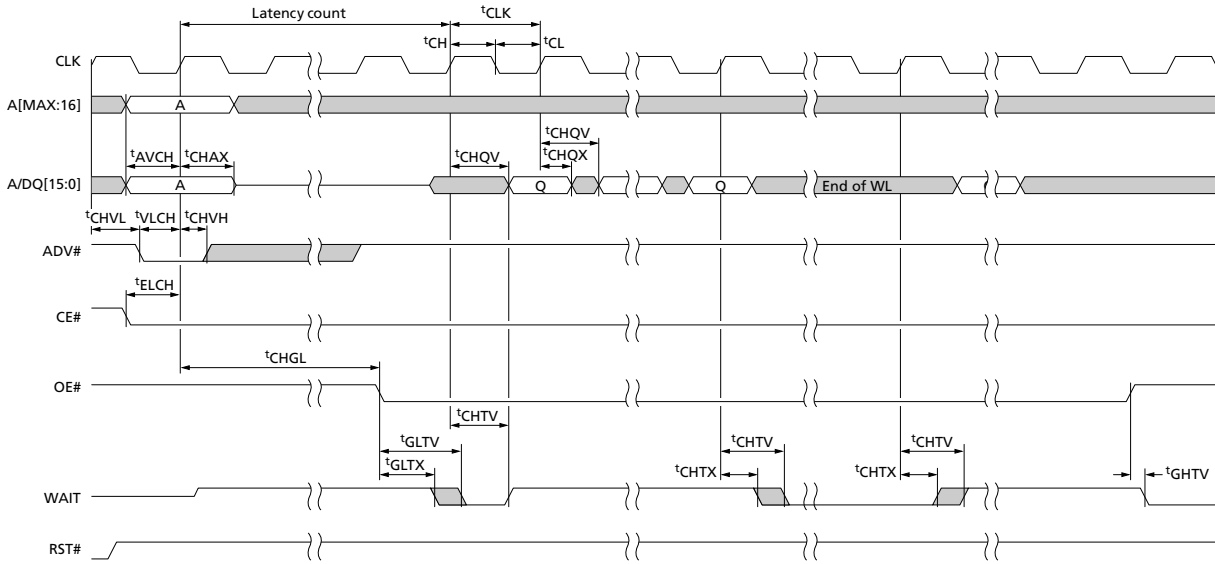


Figure 28: Synchronous 8- or 16-Word Burst Read (A/D MUX)



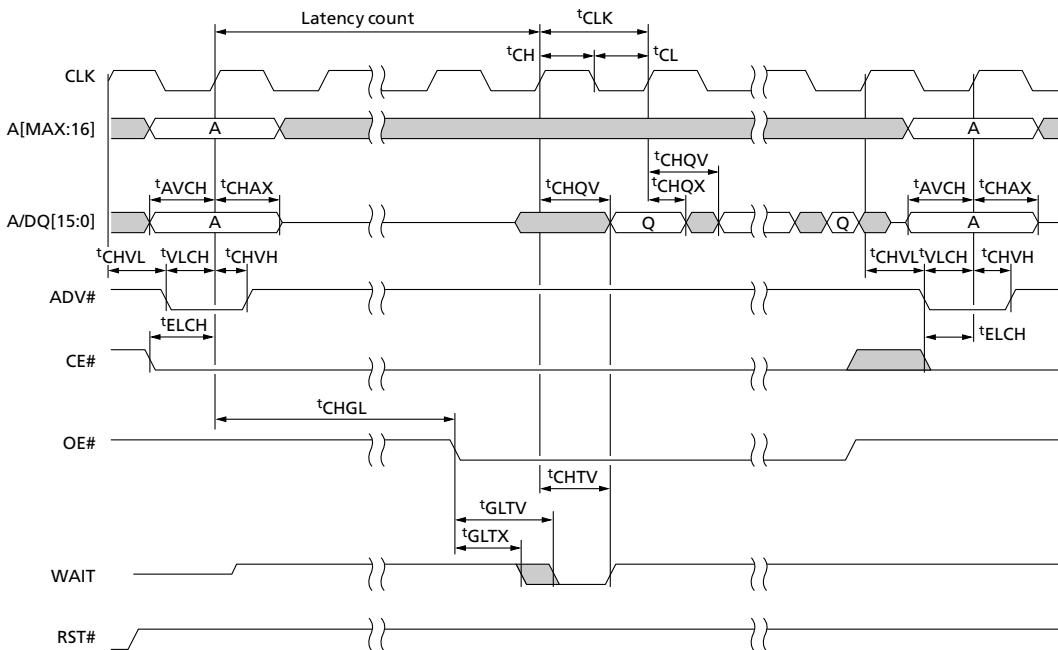
- Notes:
1. 8-word and 16-word burst are always wrap-only.
  2. WAIT shown as active LOW (RCR[10] = 0) and asserted with data (RCR[8] = 0).
  3.  $t_{AVQV}$ ,  $t_{ELQV}$ , and  $t_{VLQV}$  apply to legacy-latching only.
  4.  $t_{ACC}$  and  $t_{VLVH}$  apply to clock-latching only.

Figure 29: Synchronous Continuous Misaligned Burst Read (A/D MUX)



- Notes:
1. 8-word and 16-word burst are always wrap-only.
  2. WAIT shown as active LOW (RCR[10] = 0) and asserted with data (RCR[8] = 0).
  3.  $t_{AVQV}$ ,  $t_{ELQV}$ , and  $t_{VLQV}$  apply to legacy-latching only.
  4.  $t_{ACC}$  and  $t_{VLVH}$  apply to clock-latching only.

Figure 30: Synchronous Burst with Burst-Interrupt (AD-MUX)



- Notes:
1.  $t_{AVQV}$ ,  $t_{ELQV}$ , and  $t_{VLQV}$  apply to legacy-latching only.
  2.  $t_{ACC}$  and  $t_{VLVH}$  apply to clock-latching only.
  3. A burst can be interrupted by toggling CE# or ADV#.

## AC Write Specifications

**Table 43: AC Write Specifications**

Notes 1 and 2 apply to all

Parameter	Symbol	Min	Max	Unit	Notes
RST# HIGH recovery to WE# LOW	<sup>t</sup> PHWL	150	–	ns	3
CE# setup to WE# LOW	<sup>t</sup> ELWL	0	–	ns	10
WE# write pulse width LOW	<sup>t</sup> WLWH	40	–	ns	4
Data setup to WE# HIGH	<sup>t</sup> DVWH	40	–	ns	
Address setup to WE# HIGH	<sup>t</sup> AVWH	40	–	ns	
CE# hold from WE# HIGH	<sup>t</sup> WHEH	0	–	ns	
Data hold from WE# HIGH	<sup>t</sup> WHDX	0	–	ns	
Address hold from WE# HIGH	<sup>t</sup> WHAX	0	–	ns	
WE# pulse width HIGH	<sup>t</sup> WHWL	20	–	ns	5
V <sub>pp</sub> setup to WE# HIGH	<sup>t</sup> VPWH	200	–	ns	3, 7
V <sub>pp</sub> hold from status read	<sup>t</sup> QVVL	0	–	ns	3, 7
WP# hold from status read	<sup>t</sup> QVBL	0	–	ns	3, 7
WP# setup to WE# HIGH	<sup>t</sup> BHWH	200	–	ns	3, 7
WE# HIGH to OE# LOW	<sup>t</sup> WHGL	0	–	ns	8
ADV# LOW to WE# HIGH	<sup>t</sup> VLWH	55	–	ns	
WE# HIGH to read valid	<sup>t</sup> WHQV	<sup>t</sup> AVQV + 30	–	ns	3, 6, 9
<b>WRITE Operation to Asynchronous Read Transition</b>					
WE# HIGH to address valid	<sup>t</sup> WHAV				
<b>Write to Synchronous Read Specification</b>					
WE# HIGH to CLK HIGH @ 110 MHz	<sup>t</sup> WHCH	15	–	ns	3, 6, 11
WE# HIGH to CE# LOW	<sup>t</sup> WHEL	9	–	ns	3, 6, 11
WE# HIGH to ADV# LOW	<sup>t</sup> WHVL	7	–	ns	3, 6, 11
<b>Write Specifications with Clock Active</b>					
ADV# HIGH to WE# LOW	<sup>t</sup> VHWL	–	30	ns	11
CLK HIGH to WE# LOW	<sup>t</sup> CHWL	–	30	ns	11

- Notes:
1. Write timing characteristics during erase suspend are the same as WRITE-only operations.
  2. A WRITE operation can be terminated with either CE# or WE#.
  3. Sampled, not 100% tested.
  4. Write pulse width LOW (<sup>t</sup>WLWH or <sup>t</sup>ELEH) is defined from CE# or WE# LOW (whichever occurs last) to CE# or WE# HIGH (whichever occurs first). Hence, <sup>t</sup>WLWH = <sup>t</sup>ELEH = <sup>t</sup>WLEH = <sup>t</sup>ELWH.
  5. Write pulse width HIGH (<sup>t</sup>WHWL or <sup>t</sup>EHEL) is defined from CE# or WE# HIGH (whichever occurs first) to CE# or WE# LOW (whichever occurs last). Hence, <sup>t</sup>WHWL = <sup>t</sup>EHEL = <sup>t</sup>WHEL = <sup>t</sup>EHW.
  6. <sup>t</sup>WHCH must be met when transitioning from a WRITE cycle to a synchronous burst read. In addition CE# or ADV# must toggle when WE# goes HIGH.
  7. V<sub>pp</sub> and WP# must be at a valid level until erase or program success is determined.

8. When performing a READ STATUS operation following any command that alters the status register,  $t_{WHGL}$  is 20ns.
9. Add 10ns if the WRITE operation results in an RCR or block lock status change for the subsequent READ operation to reflect this change.
10. Either  $t_{VHWL}$  or  $t_{CHWL}$  is required to meet the specification depending on the address latching mechanism; both of these specifications can be ignored if the clock is not toggling during the WRITE cycle.
11. If  $ADV\#$  remains LOW after the WRITE cycle completes, a new READ cycle will start.

**Figure 31: Write Timing**

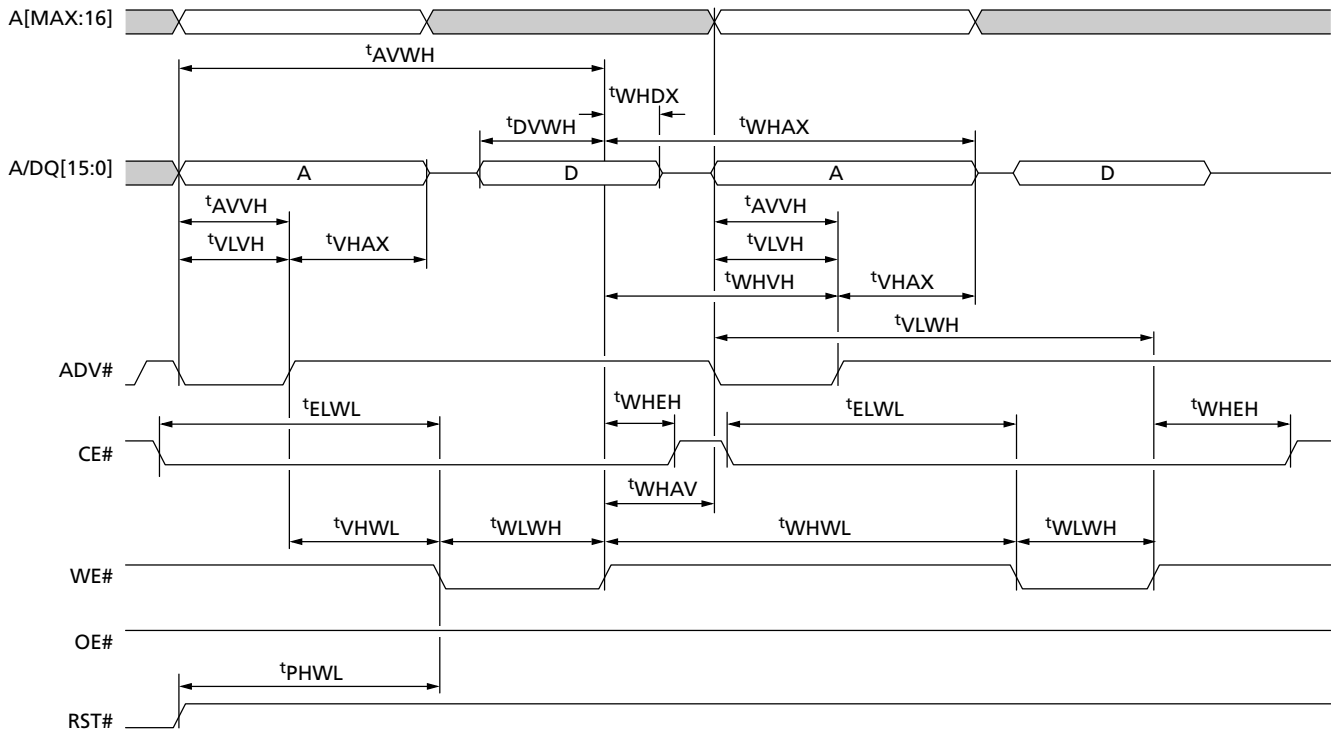


Figure 32: Write to Write (Non-MUX)

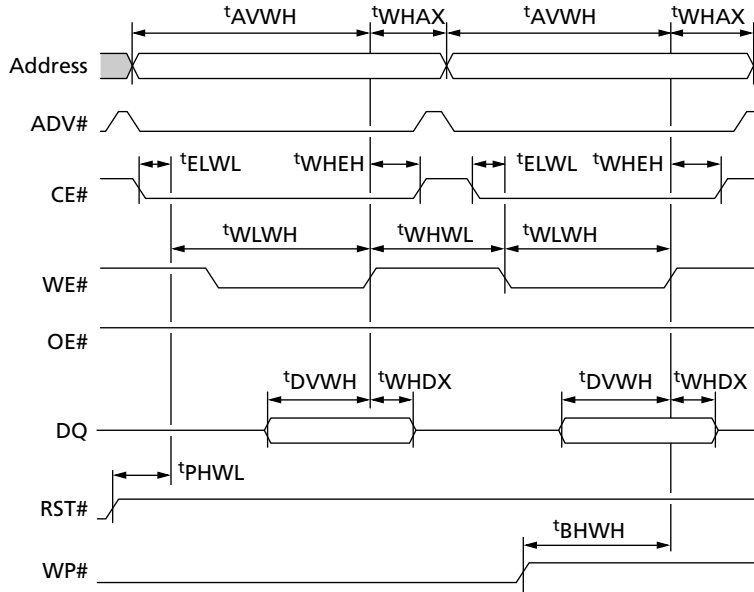


Figure 33: Async Read to Write (Non-MUX)

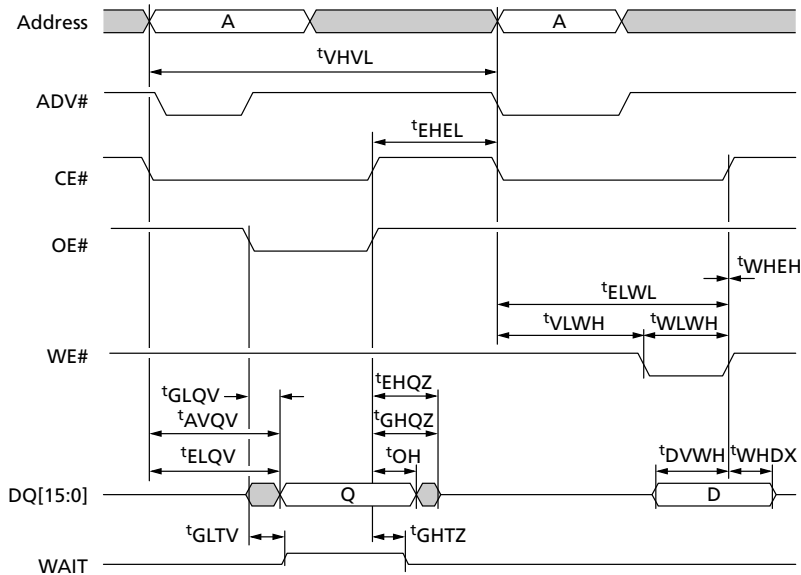




Figure 36: Write to Sync Read (Non-MUX)

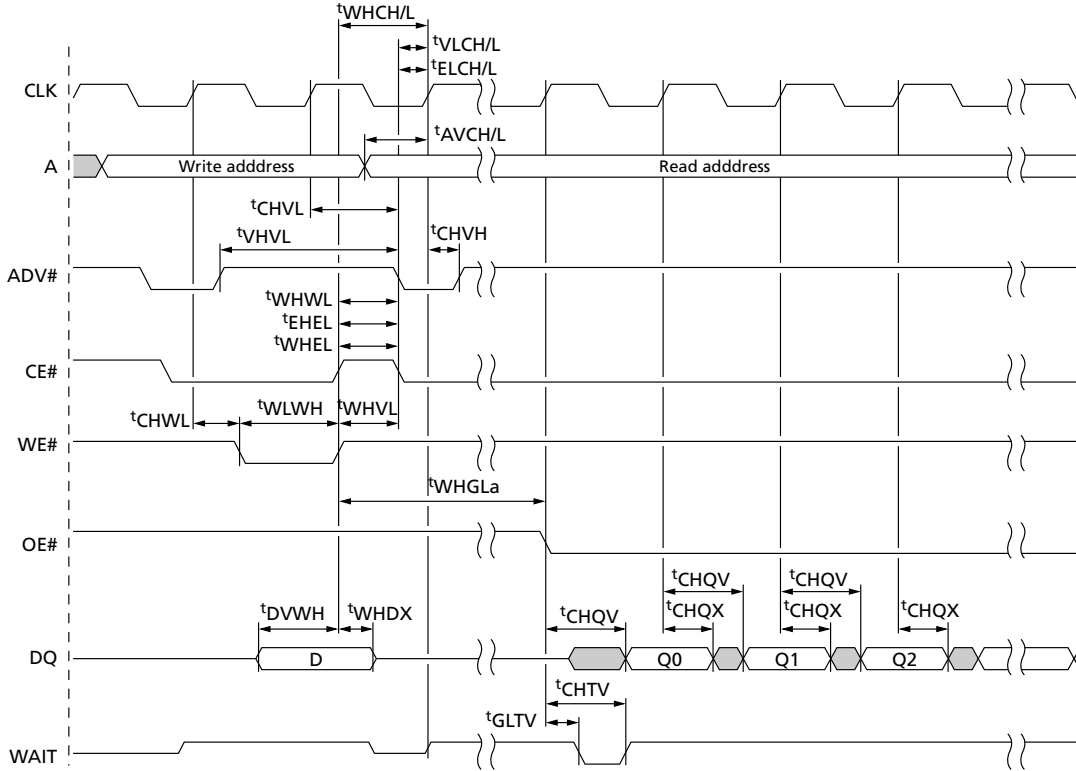


Figure 37: Write to Write (A/D-MUX)

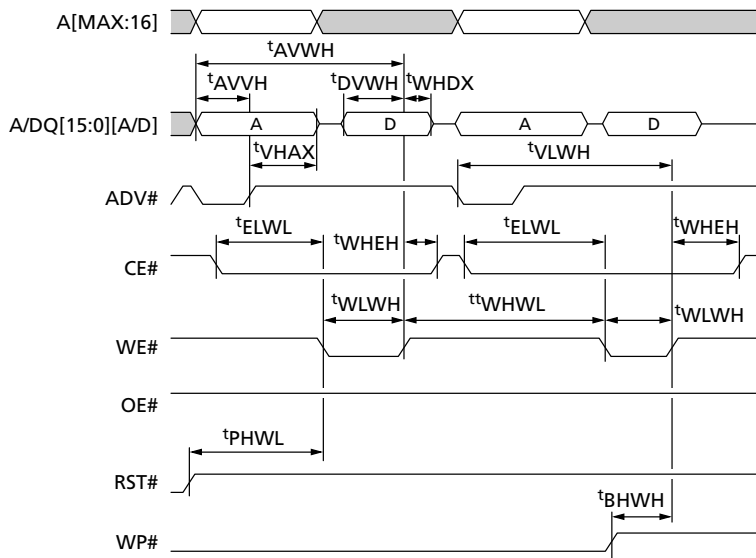




Figure 38: Async Read to Write (A/D-MUX)

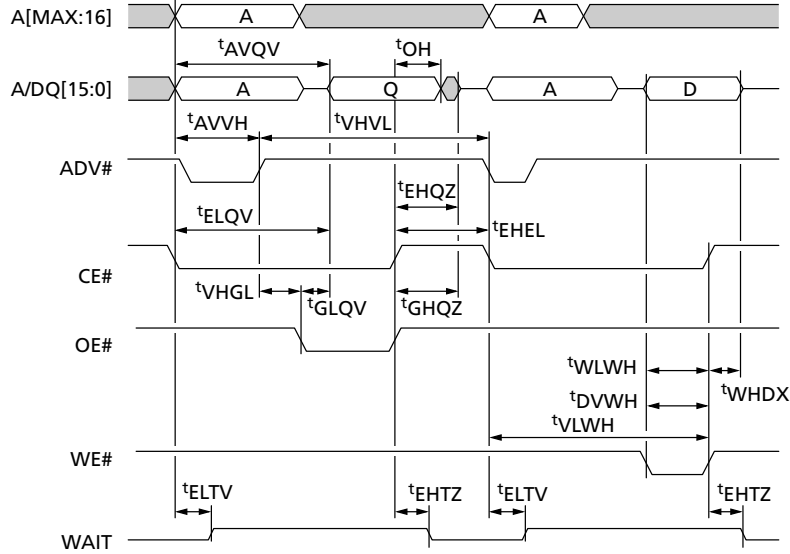


Figure 39: Write to Async Read (A/D-MUX)

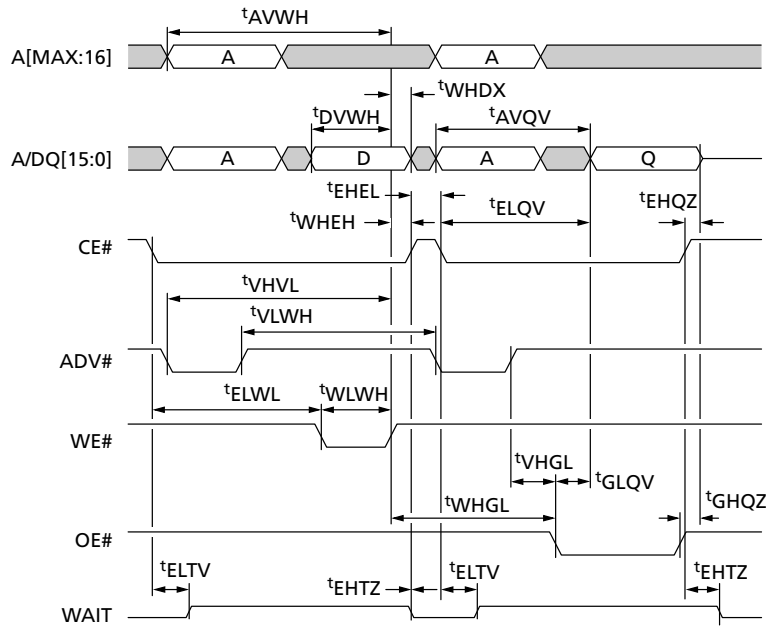


Figure 40: Sync Read to Write (A/D-MUX)

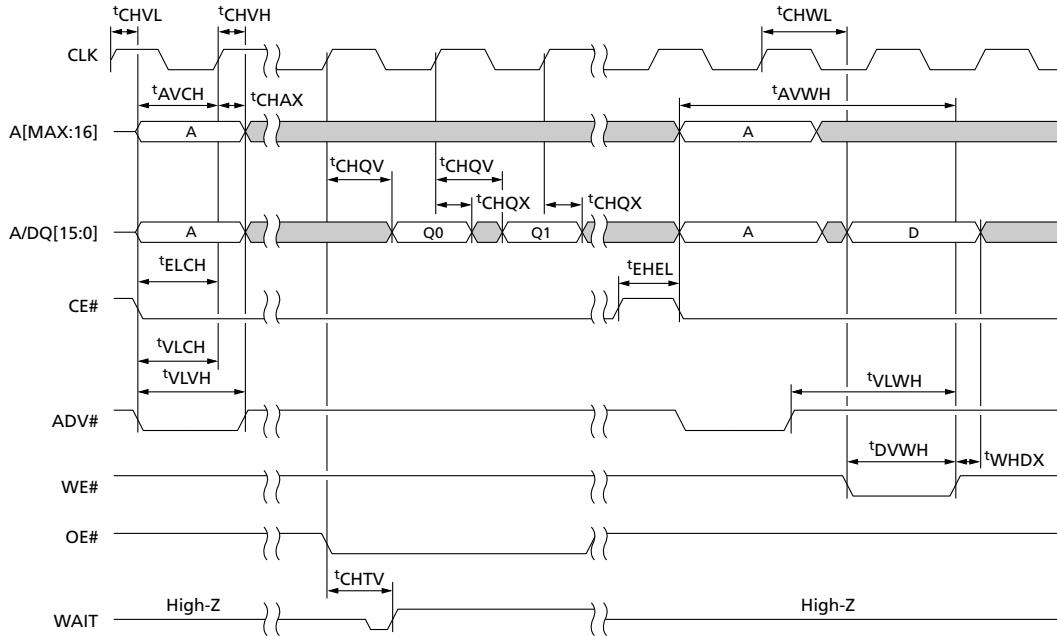
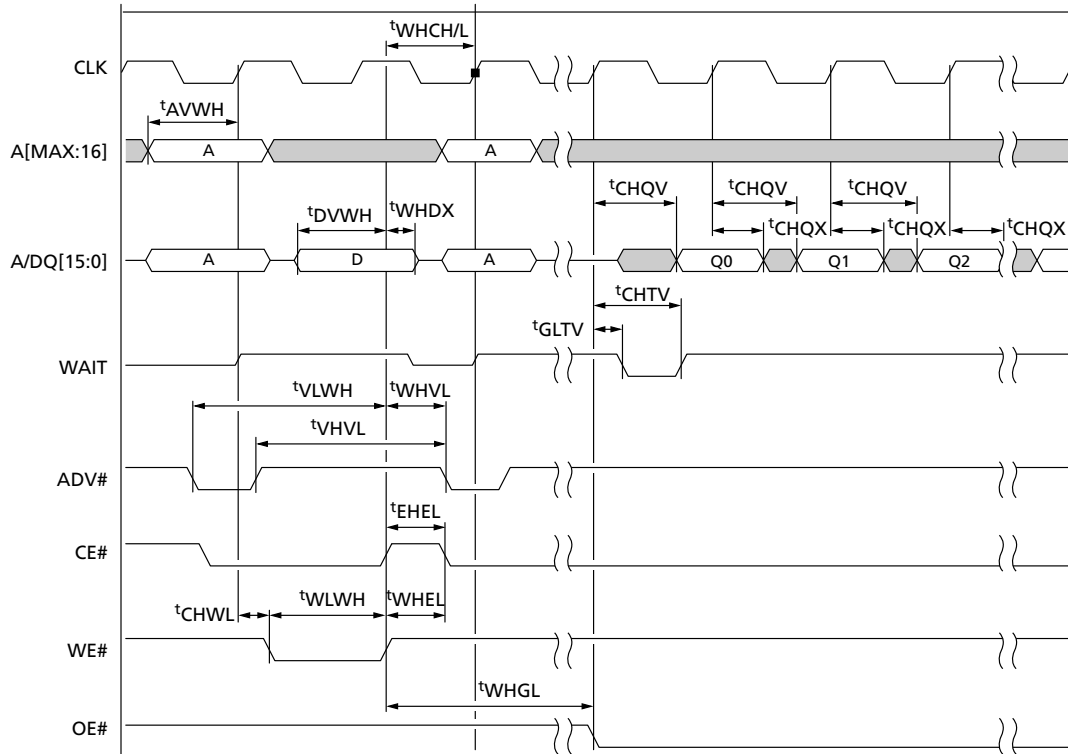


Figure 41: Write to Sync Read (A/D-MUX)



## Electrical Specifications – Program/Erase Characteristics

**Table 44: Program/Erase Characteristics**

Note 1 applies to all

Parameter	Symbol	V <sub>PPL</sub> or V <sub>PPH</sub>			Units	Notes	
		Min	Typ	Max			
<b>Word Programming</b>							
Program time	Single word (first word)	<sup>t</sup> PROG/W	–	115	230	μs	2
	Single word (subsequent word)			65	230		
<b>Buffered Programming</b>							
Program time	Single word	<sup>t</sup> PROG/W	–	250	500	μs	
	One buffer (512 words)	<sup>t</sup> PROG/PB		1.02	2.05	ms	
<b>Buffer Enhanced Factory Programming (BEFP)</b>							
Program	Single word	<sup>t</sup> BEFP/W		2.0		μs	3
	BEFP setup	<sup>t</sup> BEFP/ SETUP	5	–	–	μs	3
<b>Erasing and Suspending</b>							
Erase time	128K-word parameter	<sup>t</sup> ERS/MAB	–	0.9	4	s	
Suspend latency	Program suspend	<sup>t</sup> SUSP/P	–	20	30	μs	
	Erase suspend	<sup>t</sup> SUSP/E	–	20	30	μs	
<b>Blank Check</b>							
Main array block	Main array block	<sup>t</sup> BC/MB	–	3.2	–	ms	

- Notes:
1. Typical values measured at T<sub>A</sub> = 25°C and nominal voltages. Performance numbers are valid for all speed versions. Excludes overhead. Sampled, but not 100% tested.
  2. Conventional word programming: First and subsequent words refer to first word and subsequent words in control mode programming region.
  3. Averaged over the entire device. BEFP is not validated at V<sub>PPL</sub>.

## Common Flash Interface

The common Flash interface (CFI) is part of an overall specification for multiple command set and control interface descriptions. System software can parse the CFI database structure to obtain information about the device, such as block size, density, bus width, and electrical specifications. The system software determines which command set to use to properly perform a WRITE, BLOCK ERASE, or READ command, and to otherwise control the device. Information in the CFI database can be viewed by issuing the READ CFI command.

### READ CFI Structure Output

The READ CFI command obtains CFI database structure information and always outputs it on the lower byte, DQ[7:0], for a word-wide (x16) Flash device. This CFI-compliant device always outputs 00h data on the upper byte (DQ[15:8]).

The numerical offset value is the address relative to the maximum bus width that the device supports, with a starting address of 010h, which is a word address for x16 devices. For example, at a starting address of 10h, a READ CFI command outputs an ASCII Q in the lower byte and 00h in the higher byte.

In the following tables, address and data are represented in hexadecimal notation. In addition, because the upper byte of word-wide devices is always 00h, the leading 00 has been dropped and only the lower byte value is shown.

**Table 45: Example of CFI Output (x16 Device) as a Function of Device and Mode**

Device	Hex Offset	Hex Code	ASCII Value (DQ[15:8])	ASCII Value (DQ[7:0])
Address	00010:	51	00	Q
	00011:	52	00	R
	00012:	59	00	Y
	00013:	P_ID <sub>LO</sub>	00	Primary vendor ID
	00014:	P_ID <sub>HI</sub>	00	
	00015:	P <sub>LO</sub>	00	Primary vendor table address
	00016:	P <sub>HI</sub>	00	
	00017:	A_ID <sub>LO</sub>	00	Alternate vendor ID
	00018:	A_ID <sub>HI</sub>	00	
		:	:	:
	:	:	:	:

**Table 46: CFI Database: Addresses and Sections**

Address	Section Name	Description
00001:Fh	Reserved	Reserved for vendor-specific information
00010h	CFI ID string	Command set ID (identification) and vendor data offset
0001Bh	System interface information	Timing and voltage
00027h	Device geometry definition	Layout

**Table 46: CFI Database: Addresses and Sections (Continued)**

Address	Section Name	Description
P	Primary Micron-specific extended query	Vendor-defined informaton specific to the primary vendor algorithm (offset 15 defines <i>P</i> which points to the primary Micron-specific extended query table)

## CFI ID String

The CFI ID string provides verification that the device supports the CFI specification. It also indicates the specification version and supported vendor-specific command sets.

**Table 47: CFI ID String**

Hex Offset	Length	Description	Address	Hex Code	ASCII Value (DQ[7:0])
10h	3	Query unique ASCII string "QRY"	10:	- -51	Q
			11:	- -52	R
			12:	- -59	Y
13h	2	Primary vendor command set and control interface ID code;16-bit ID code for vendor-specified algorithms	13:	- -00	Primary vendor ID number
			14:	- -02	
15h	2	Extended query table primary algorithm address	15:	- -0A	Primary vendor table address, primary algorithm
			16:	- -01	
17h	2	Alternate vendor command set and control interface ID code; 0000h indicates no second vendor-specified algorithm exists	17:	- -00	Alternate vendor ID number
			18:	- -00	
19h	2	Secondary algorithm extended query table address; 0000h indicates none exists	19:	- -00	Primary vendor table address, secondary algorithm
			1A:	- -00	

## System Interface Information

**Table 48: System Interface Information**

Hex Offset	Length	Description	Address	Hex Code	ASCII Value (DQ[7:0])
1Bh	1	V <sub>CC</sub> logic supply minimum program/erase voltage bits 0–3 BCD 100mV bits 4–7 BCD volts	1Bh	- -17	1.7V
1Ch	1	V <sub>CC</sub> logic supply maximum program/erase voltage bits 0–3 BCD 100mV bits 4– 7 BCD volts	1Ch	- -20	2.0V
1Dh	1	V <sub>PP</sub> [programming] supply minimum program/erase voltage bits 0–3 BCD 100mV bits 4–7 hex volts	1Dh	- -85	8.5V

**Table 48: System Interface Information (Continued)**

Hex Offset	Length	Description	Address	Hex Code	ASCII Value (DQ[7:0])
1Eh	1	V <sub>PP</sub> [programming] supply maximum program/erase voltage bits 0–3 BCD 100mV bits 4–7 hex volts	1Eh	- -95	9.5V
1Fh	1	$n$ such that typical single word program timeout = $2^n\mu\text{s}$	1Fh	- -06	64 $\mu\text{s}$
20h	1	$n$ such that typical full buffer write timeout = $2^n\mu\text{s}$	20h	- -0B (1024Mb) - -0A (256Mb, 512Mb)	2048 $\mu\text{s}$ (1024Mb) 1023 $\mu\text{s}$ (256Mb, 512Mb)
21h	1	$n$ such that typical block erase timeout = $2^n\text{ms}$	21h	- -0A	1s
22h	1	$n$ such that typical full chip erase timeout = $2^n\text{ms}$	22h	- -00	NA
23h	1	$n$ such that maximum word program timeout = $2^n$ times typical	23h	- -02	256 $\mu\text{s}$
24h	1	$n$ such that maximum buffer write timeout = $2^n$ times typical	24h	- -02 (256Mb, 512Mb) - -01 (1024Mb)	8192 $\mu\text{s}$ (256Mb, 512Mb) 4096 $\mu\text{s}$ (1024Mb)
25h	1	$n$ such that maximum block erase timeout = $2^n$ times typical	25h	- -02	4s
26h	1	$n$ such that maximum chip erase timeout = $2^n$ times typical	26h	- -00	NA

## Device Geometry Definition

**Table 49: Device Geometry**

Hex Offset	Length	Description	Address	Hex Code	ASCII Value (DQ[7:0])
27h	1	$n$ such that device size in bytes = $2^n$ .	27:		See table below
28h	2	Flash device interface code assignment: $n$ such that $n + 1$ specifies the bit field that represents the device width capabilities as described here: bit 0: x8 bit 1: x16 bit 2: x32 bit 3: x64 bits 4–7: – bits 8–15: –	28:	- -01	x16
			29:	- -00	

**Table 49: Device Geometry (Continued)**

Hex Offset	Length	Description	Address	Hex Code	ASCII Value (DQ[7:0])
2Ah	2	$n$ such that maximum number of bytes in write buffer = $2^n$	2Ah	- -0A	1024
			2Bh	- -00	
2Ch	1	Number of erase block regions (x) within the device: x = 0 indicates no erase blocking; the device erases in bulk x specifies the number of device regions with one or more contiguous, same-size erase blocks Symmetrically blocked partitions have one blocking region	2Ch		See table below
2Dh	4	Erase block region 1 information: bits 0–15 = y, y + 1 = number of identical-size erase blocks bits 16–31 = z, region erase block(s) size are z x 256 bytes	2D: 30:		See table below

Note: 1. See the bit field table.

**Table 50: Block Region Map Information**

Address	256Mb		512Mb		1Gb	
	Bottom	Top	Bottom	Top	Bottom	Top
27:	- -19	--	- -1A	--	- -1B	--
28:	- -01	--	- -01	--	- -01	--
29:	- -00	--	- -00	--	- -00	--
2A:	- -0A	--	- -0A	--	- -0A	--
2B:	- -00	--	- -00	--	- -00	--
2C:	- -01	--	- -01	--	- -01	--
2D:	- -7F	--	- -FF	--	- -FF	--
2E:	- -00	--	- -00	--	- -01	--
2F:	- -00	--	- -00	--	- -00	--
30:	- -04	--	- -04	--	- -04	--



## Primary Micron-Specific Extended Query

**Table 51: Primary Micron-Specific Extended Query**

Hex Offset P = 10Ah	Length	Description	Address	Hex Code	ASCII Value (DQ[7:0])	
(P+0)h (P+1)h (P+2)h	3	Primary extended query table, unique ASCII string: PRI	10A:	--50	P	
			10B:	--52	R	
			10C:	--49	I	
(P+3)h	1	Major version number, ASCII	10D:	--31	1	
(P+4)h	1	Minor version number, ASCII	10E:	--34	4	
(P+5)h (P+6)h (P+7)h (P+8)h	4	Optional feature and command support (1 = yes; 0 = no) Bits 10–31 are reserved; undefined bits are 0 If bit 31 = 1, then another 31-bit field of optional features follows at the end of the bit 30 field	10F:	--E6 (Non-MUX) --66 (A/D MUX)	–	
			110:	--07	–	
			111:	--00	–	
			112:	--00	–	
		Bit 0: Chip erase supported		Bit 0 = 0		No
		Bit 1: Suspend erase supported		Bit 1 = 1		Yes
		Bit 2: Suspend program supported		Bit 2 = 1		Yes
		Bit 3: Legacy lock/unlock supported		Bit 3 = 0		No
		Bit 4: Queued erase supported		Bit 4 = 0		No
		Bit 5: Instant individual block locking supported		Bit 5 = 1		Yes
		Bit 6: OTP bits supported		Bit 6 = 1		Yes
		Bit 7: Page mode read supported		Bit 7 = 0 Bit 7 = 1		No: A/D MUX Yes: Non-MUX
		Bit 8: Synchronous read supported		Bit 8 = 1		Yes
		Bit 9: Simultaneous operations supported		Bit 9 = 1		Yes
		Bit 10: Reserved		Bit 10 = 0		No
		Bit 30: CFI links to follow		Bit 30 = 0		No
Bit 31: another optional features field to follow.		Bit 31 = 0		No		
(P+9)h	1	Supported functions after suspend: read array, status, query Other supported options: Bits 1–7 reserved; undefined bits are 0	113:	--01	–	
		Bit 0: Program supported after erase suspend	Bit 0 = 1		Yes	
(P+A)h (P+B)h	2	Block status register mask: Bits 2 – 3 and 6 - 15 are reserved; undefined bits are 0	114:	--33	–	
			115:	–		
		Bit 0: Block lock bit status register active	Bit 0 = 1		Yes	
		Bit 1: Block lock-down bit status active	Bit 1 = 1		Yes	

**Table 51: Primary Micron-Specific Extended Query (Continued)**

Hex Offset P = 10Ah	Length	Description	Address	Hex Code	ASCII Value (DQ[7:0])
(P+C)h	1	V <sub>CC</sub> logic supply highest performance program/erase voltage bits 0–3 BCD 100mV Bits 4–7 BCD value in volts	116:	--18	1.8V
(P+D)h	1	V <sub>PP</sub> optimum program/erase voltage Bits 0–3 BCD 100mV Bits 4–7 hex value in volts	117:	--90	9.0V

**Table 52: One Time Programmable (OTP) Space Information**

Hex Offset P = 10Ah	Length	Description	Address	Hex Code	ASCII Value (DQ[7:0])
(P+E)h	1	Number of OTP block fields in JEDEC ID space. 00h indicates that 256 OTP fields are available	118:	--02	2
(P+F)h (P+10)h (P+11)h (P+12)h	4	OTP Field 1: This field describes user-available OTP bytes. Some are preprogrammed with device-unique serial numbers. Others are user-programmable. Bits 0–15 point to the OTP lock byte (the first byte). The following bytes are factory preprogrammed and user-programmable: Bits 0–7 = lock/bytes JEDEC plane physical low address. Bits 8–15 = lock/bytes JEDEC plane physical high address. Bits 16–23 = $n$ where $2^n$ equals factory-preprogrammed bytes. Bits 24–31 = $n$ where $2^n$ equals user-programmable bytes.	119:	--80	80h
			11A:	--00	00h
			1B:	--03	8 byte
			11C:	--03	8 byte
(P+13)h (P+14)h (P+15)h (P+16)h	4	Protection Field 2: Bits 0–31 point to the protection register physical lock word address in the JEDEC plane. The bytes that follow are factory or user-programmable.	11D:	--89	89h
			11E:	--00	00h
			11F:	--00	00h
			120:	--00	00h
(P+17)h (P+18)h (P+19)h	3	Bits 32–39 = $n$ where $n$ equals factory-programmed groups (low byte). Bits 40–47 = $n$ where $n$ equals factory programmed groups (high byte). Bits 48–55 = $n$ where $2n$ equals factory-programmed bytes/groups.	121:	--00	0
			122:	--00	0
			123:	--00	0

**Table 52: One Time Programmable (OTP) Space Information (Continued)**

Hex Offset P = 10Ah	Length	Description	Address	Hex Code	ASCII Value (DQ[7:0])
(P+1A)h	3	Bits 56–63 = $n$ where $n$ equals user-programmed groups (low byte). Bits 64–71 = $n$ where $n$ equals user-programmed groups (high byte). Bits 72–79 = $n$ where $n$ equals user programmable bytes/groups.	124:	--10	16
(P+1B)h			125:	--00	0
(P+1C)h			126:	--04	16

**Table 53: Burst Read Informaton**

Hex Offset P = 10Ah	Length	Description	Address	Hex Code	ASCII Value (DQ[7:0])
(P+1D)h	1	Page mode read capability: Bits 7–0 = $n$ where $2^n$ hex value represents the number of read page bytes. See offset 28h for device word width to determine page mode data output width. 00h indicates no read page buffer.	127:	--05 (Non-MUX) --00 (A/D MUX)	32 byte (Non-MUX) 0 (A/D MUX)
(P+1E)h	1	Number of synchronous mode read configuration fields that follow. 00h indicates no burst capability.	128:	--03	3
(P+1F)h	1	Synchronous mode read capability configuration 1: Bits 3–7 = reserved. Bits 0–2 = $n$ where $2^{n+1}$ hex value represents the maximum number of continuous synchronous reads when the device is configured for its maximum word width. A value of 07h indicates that the device is capable of continuous linear bursts that will output data until the internal burst counter reaches the end of the device's burstable address space. This fields's 3-bit value can be written directly to the RCR bits 0–2 if the device is configured for its maximum word width. See offset 28h for word width to determine the burst data output width.	129:	--02	8
(P+20)h	1	Synchronous mode read capability configuration 2.	12A:	--03	16
(P+21)h	1	Synchronous mode read capability configuration 3.	12B:	--07	Cont

**Table 54: Partition and Block Erase Region Information**

Hex Offset P = 10Ah		Description Optional Features and Commands	Length	Address	
Bottom	Top			Bottom	Top
(P+22)h	(P+22)h	Number of device hardware partition regions within the device: x = 0: A single hardware partition device (no fields follow). x specifies the number of device partition regions containing one or more contiguous erase block regions	1	12C:	12C:

**Table 55: Partition Region 1 Information: Top and Bottom Offset/Address**

Hex Offset P = 10Ah		Description Optional Features and Commands	Length	Address	
Bottom	Top			Bottom	Top
(P+23)h	(P+23)h	Data size of this Partition Region information field: (number of addressable locations, including this field).	2	12D:	12D:
(P+24)h	(P+24)h			12E:	12E:
(P+25)h (P+26)h	(P+25)h (P+26)h	Number of identical partitions within the partition region.	2	12F: 130:	12F: 130:
(P+27)h	(P+27)h	Number of PROGRAM or ERASE operations allowed in a partition: Bits 0–3 = number of simultaneous PROGRAM operations. Bits 4–7 = number of simultaneous ERASE operations.	1	131:	131:
(P+28)h	(P+28)h	Simultaneous PROGRAM or ERASE operations allowed in other partitions while a partition in this region is in program mode: Bits 0–3 = number of simultaneous program operations. Bits 4–7 = number of simultaneous ERASE operations.	1	132:	132:
(P+29)h	(P+29)h	Simultaneous PROGRAM or ERASE operations allowed in other partitions while a partition in this region is in erase mode: Bits 0–3 = number of simultaneous PROGRAM operations. Bits 4–7 = number of simultaneous ERASE operations.	1	133:	133:

**Table 55: Partition Region 1 Information: Top and Bottom Offset/Address (Continued)**

Hex Offset P = 10Ah		Description Optional Features and Commands	Length	Address	
Bottom	Top			Bottom	Top
(P+2A)h	(P+2A)h	Types of erase block regions in this partition region: x = 0: no erase blocking; the partition region erases in bulk. x = number of erase block regions with contiguous, same-size erase blocks. Symmetrically blocked partitions have one blocking region. Partition size = (type 1 blocks) x (type 1 block sizes) + (type 2 blocks) x (type 2 block sizes) +...+ (type n blocks) x (type n block sizes).	1	134:	134:
(P+2B)h (P+2C)h (P+2D)h (P+2E)h	(P+2B)h (P+2C)h (P+2D)h (P+2E)h	Partition region 1 (erase block type 1) information: Bits 0–15 = y, y+1 = number of identical-sized erase blocks in a partition. Bits 16–31 = z, where region erase block(s) size is z x 256 bytes.	4	135: 136: 137: 138:	135: 136: 137: 138:
(P+2F)h (P+30)h	(P+2F)h (P+30)h	Partition 1 (erase block type 1): Minimum block erase cycles x 1000	2	139: 13A:	139: 13A:
(P+31)h	(P+31)h	Partition 1 (erase block type 1) bits per cell; internal EDAC: Bits 0–3 = bits per cell in erase region Bit 4 = internal EDAC used (1 = yes, 0 = no) Bits 5–7 = reserved for future use	1	13B:	13B:
(P+32)h	(P+32)h	Partition 1 (erase block type 1) page mode and synchronous mode capabilities: Bits 0 = page mode host reads permitted (1 = yes, 0 = no) Bit 1 = synchronous host reads permitted (1 = yes, 0 = no) Bit 2 = synchronous host writes permitted (1 = yes, 0 = no) Bits 3–7 = reserved for future use	1	13C:	13C:
(P+33)h (P+34)h (P+35)h (P+36)h (P+37)h (P+38)h	(P+33)h (P+34)h (P+35)h (P+36)h (P+37)h (P+38)h	Partition 1 (Erase Block Type 1) programming region information: Bits 0 - 7 = x, 2 <sup>x</sup> : programming region aligned size (bytes) Bits 8 - 14 = reserved for future use Bit 15 = legacy flash operation; ignore 0:7 Bit 16 - 23 = y: control mode valid size (bytes) Bit 24 - 31 = reserved for future use Bit 32 - 39 = z: control mode invalid size (bytes) Bit 40 - 46 = reserved for future use Bit 47 = legacy flash operation (ignore 23:16 and 39:32)	6	13D: 13E: 13F: 140: 141: 142:	13D: 13E: 13F: 140: 141: 142:

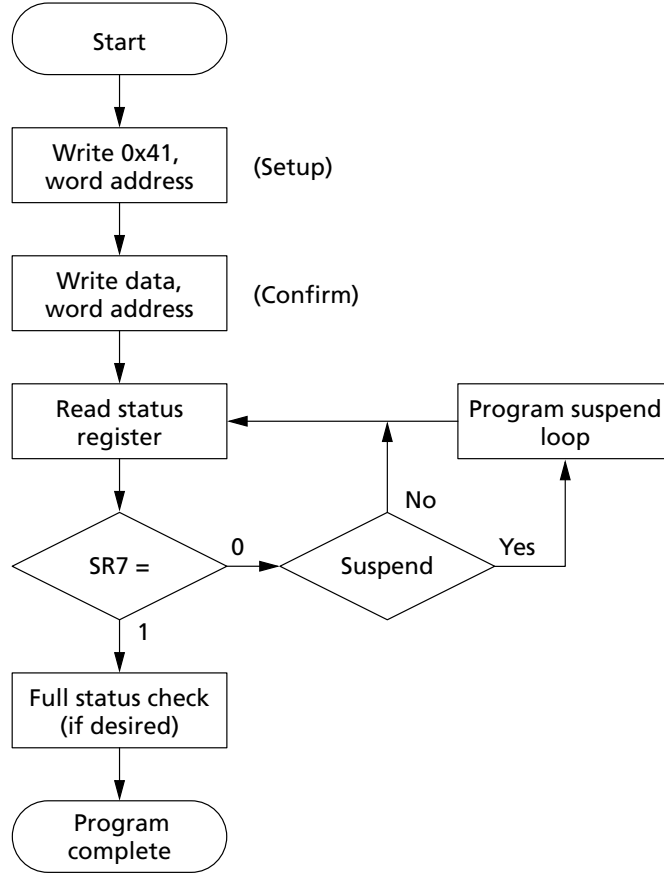


**Table 56: Partition and Erase Block Map Information**

Address	256Mb		512Mb		1Gb	
	Bottom	Top	Bottom	Top	Bottom	Top
12C:	--01	--	--01	--	--01	--
12D:	--16	--	--16	--	--16	--
12E:	--00	--	--00	--	--00	--
12F:	--08	--	--08	--	--08	--
130:	--00	--	--00	--	--00	--
131:	--11	--	--11	--	--11	--
132:	--00	--	--00	--	--00	--
133:	--00	--	--00	--	--00	--
134:	--01	--	--01	--	--01	--
135:	--0F	--	--1F	--	--3F	--
136:	--00	--	--00	--	--00	--
137:	--00	--	--00	--	--00	--
138:	--04	--	--04	--	--04	--
139:	--64	--	--64	--	--64	--
13A:	--00	--	--00	--	--00	--
13B:	--12	--	--12	--	--12	--
13C:	--02 MUX --03 Non-MUX	--	--02 MUX --03 Non-MUX	--	--02 MUX --03 Non-MUX	--
13D:	--0A	--	--0A	--	--0A	--
13E:	--00	--	--00	--	--00	--
13F:	--10	--	--10	--	--10	--
140:	--00	--	--00	--	--00	--
141:	--10	--	--10	--	--10	--
142:	--00	--	--00	--	--00	--

## Flowcharts

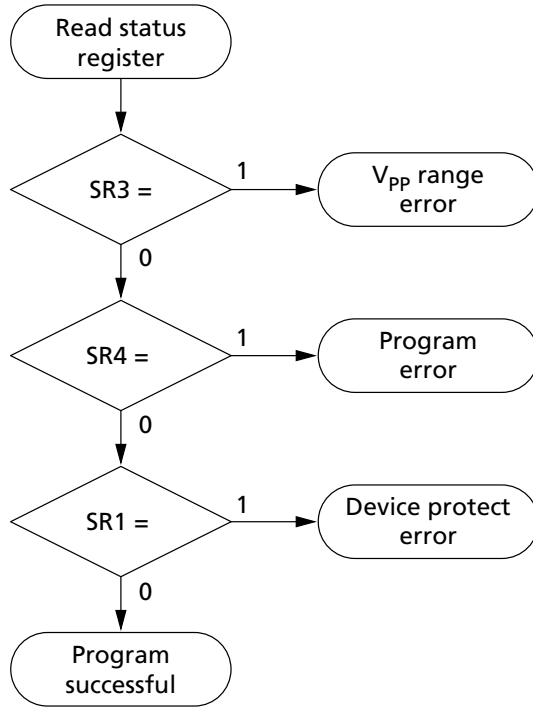
Figure 42: Word Program Procedure



Bus Operation	Command	Comments
WRITE	PROGRAM SETUP	Data = 0x41 Address = Location to program
WRITE	DATA	Data = Data to program Address = Location to program
READ	None	Status register data
Idle	None	Check SR7 1 = Write state machine ready 0 = Write state machine busy

- Notes:
1. Repeat for subsequent word PROGRAM operations.
  2. Full status register check can be done after each program or after a sequence of PROGRAM operations.
  3. Write 0xFF after the last operation to set to the read array state.

Figure 43: Word Program Full Status Check Procedure



**Note:**

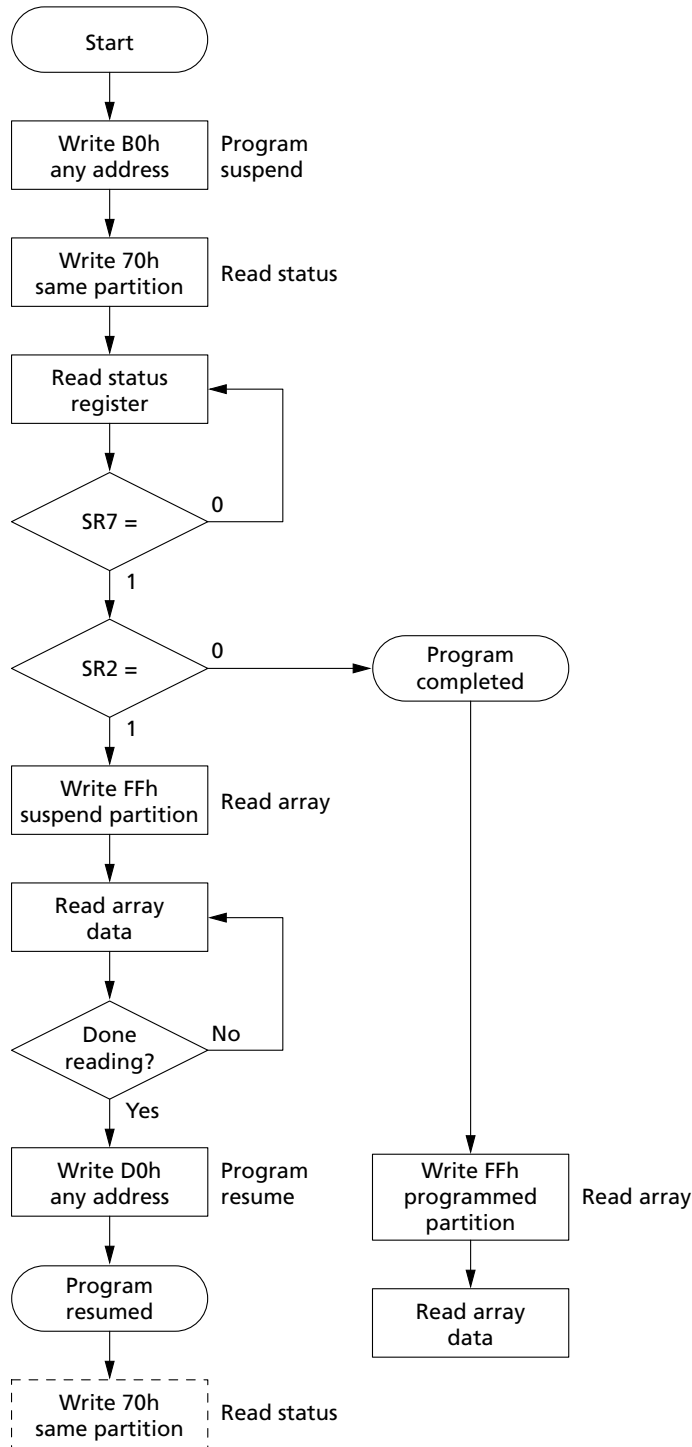
SR3 MUST be cleared before the write state machine will support further program attempts.

Bus Operation	Command	Comments
Idle	None	Check SR3 1 = V <sub>pp</sub> error
Idle	None	Check SR4 1 = Data program error
Idle	None	Check SR1 1 = Block locked; operation aborted

Note: 2. If an error is detected, clear the status register before continuing operations. Only the CLEAR STATUS REGISTER command clears the status register error bits.



Figure 44: Program Suspend/Resume Procedure

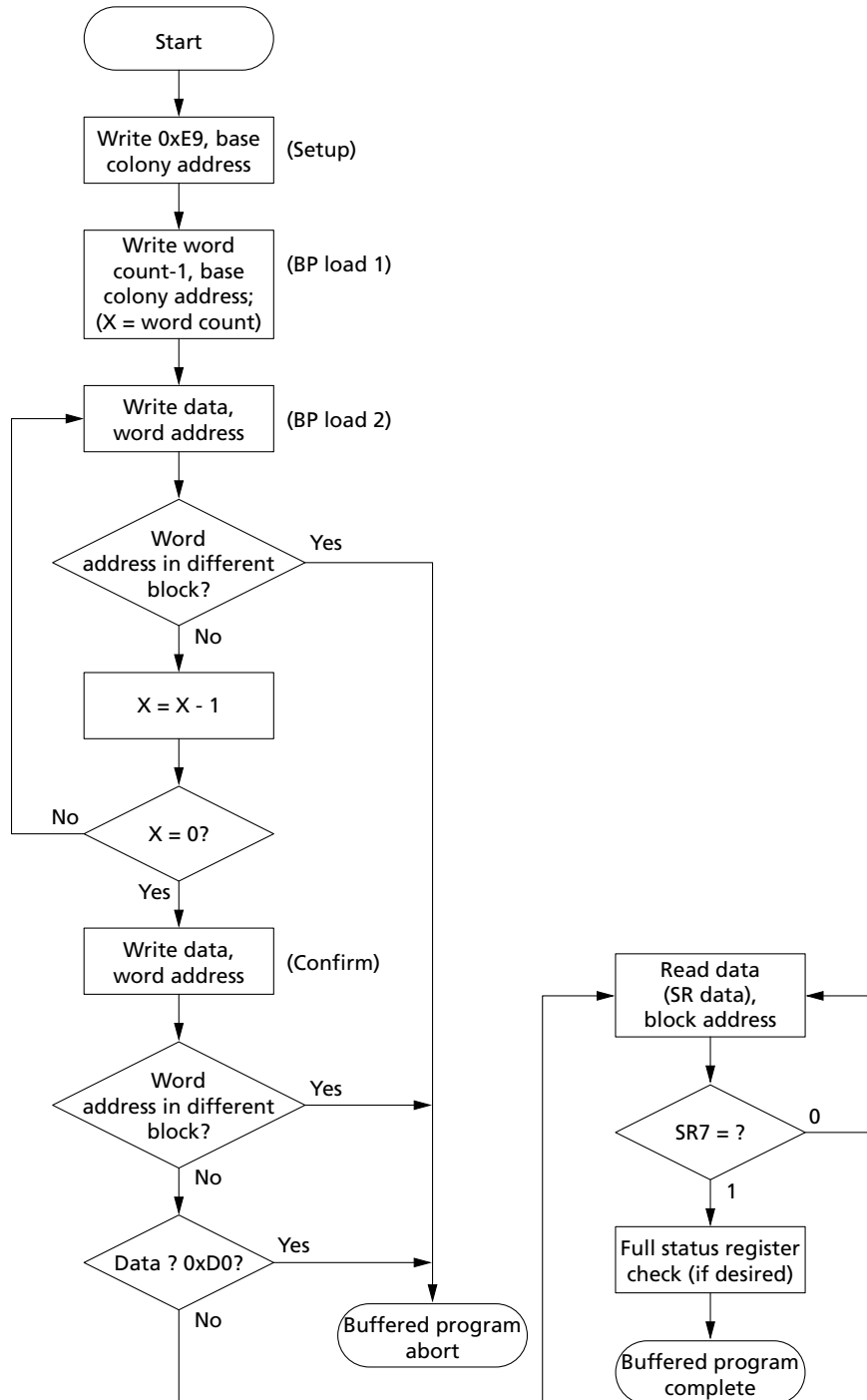


Bus Operation	Command	Comments
WRITE	PROGRAM SUSPEND	Data = B0h Address = Block to suspend
WRITE	READ STATUS	Data = 70h Address = Same partition
READ		Status register data Address = Suspended block
Standby		Check SR7 1 = Write state machine ready 0 = Write state machine busy
Standby		Check SR2 1 = Program suspended 0 = Program completed
WRITE	READ ARRAY	Data = FFh Address = Any address within the suspended partition
READ		Read array data from block other than the one being programmed
WRITE	PROGRAM RESUME	Data = D0h Address = Suspended block

If the suspended partition was placed in read array mode:

WRITE	READ STATUS	Return partition to status mode: Data = 70h Address = Same partition
-------	-------------	--

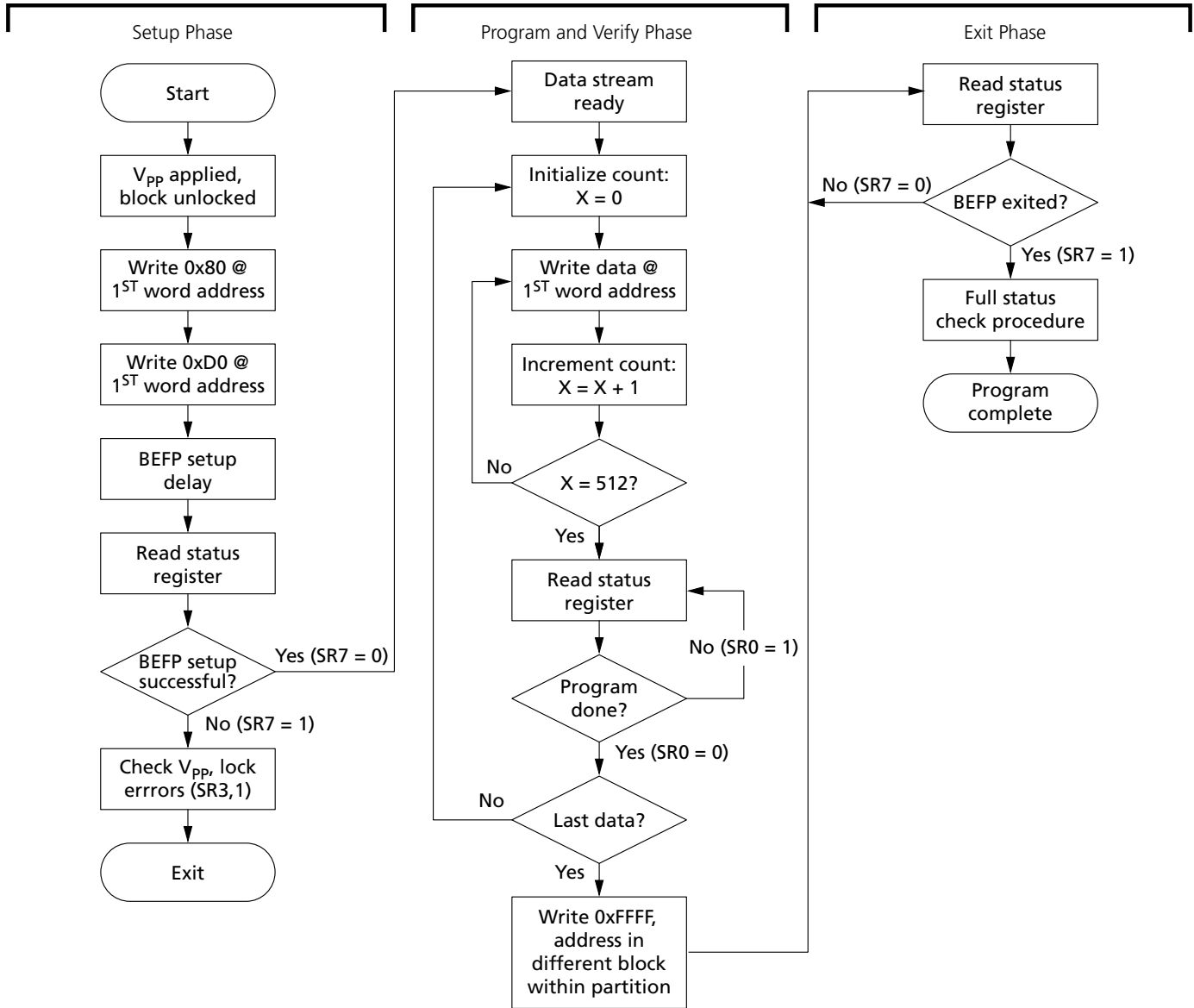
Figure 45: Buffer Programming Procedure



Bus Operation	Command	Comments
WRITE	BUFFERED PROGRAM SETUP	Data = 0xE9 Addr = Colony base address
WRITE	BUFFERED PROGRAM LOAD 1	Data = word count -1 <sup>1</sup> Address = Block address
WRITE <sup>2, 3</sup>	BUFFERED PROGRAM LOAD 2	Data = Data to be programmed Address = Word address
WRITE <sup>4, 5</sup>	BUFFERED PROGRAM CONFIRM	Data = 0xD0 Address = Address within block
READ	None	Status register Data Address = Block address

- Notes:
1. D[8:0] is loaded as word count-1.
  2. Repeat BUFFERED PROGRAM LOAD 2 until the word count is achieved. (Load up to 512 words.)
  3. The command sequence aborts if the address of the BUFFERED PROGRAM LOAD 2 cycle is in a different block from the address of the BUFFERED PROGRAM SETUP cycle.
  4. The command sequence aborts if the address of the BUFFERED PROGRAM CONFIRM cycle is in a different block from the address of the BUFFERED PROGRAM SETUP cycle. Also, an abort will occur if the data of the BUFFERED PROGRAM CONFIRM cycle data is not 0xD0.
  5. The read mode changes to status read on the BUFFERED PROGRAM CONFIRM command.

Figure 46: Buffered Enhanced Factory Programming (BEFP) Procedure

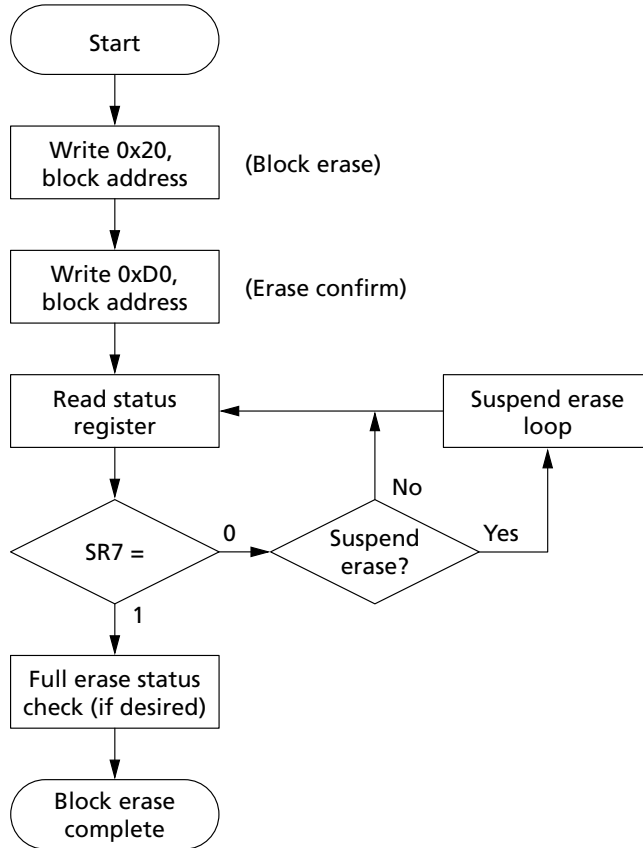


Bus Operation	Action	Comments
<b>Setup Phase</b>		
WRITE	Unlock block	V <sub>PPH</sub> applied to V <sub>PP</sub>
WRITE	BEFP setup	Data = 0x80 @ first word address <sup>1</sup>
WRITE	BEFP confirm	Data = 0xD0 @ first word address
READ	Status register	Data = Status register data Adress = First word address

Bus Operation	Action	Comments
Standby	BEFP setup done?	Check SR7: 0 = BEFP ready 1 = BEFP not ready
Standby	Error condition check	If SR7 is set, check: SR3 set = $V_{pp}$ error SR1 set = Locked block
<b>Program and Verify Phase</b>		
READ	Status register	Data = Status register data Address = First word address
Standby	Data stream ready?	Check SR0: 0 = Ready for data 1 = Not ready for data
Standby	Initialize count	X = 0
WRITE	Load buffer	Data = Data to program Address = First word address <sup>2</sup>
Standby	Increment count	X = X + 1
Standby	Buffer full?	X = 512? Yes = Read SR0 No = Load next data word
READ	Status register	Data = Status register data Address = First word address
Standby	Program done?	Check SR0: 0 = Program done 1 = Program in progress
Standby	Last data?	No = Fill buffer again Yes = Exit
WRITE	Exit program and verify phase	Data = 0xFFFF @ address not in current block
<b>Exit Phase</b>		
READ	Status register	Data = Status register data Address = First word address
Standby	Check exit status	Check SR7: 0 = Exit not completed 1 = Exit completed

- Notes:
1. Repeat for subsequent blocks.
  2. After BEFP exit, a full status register check can determine if any program error occurred.
  3. See the Word Program Full Status Register Check Procedure flowchart.
  4. Write 0xFF to enter read array state.

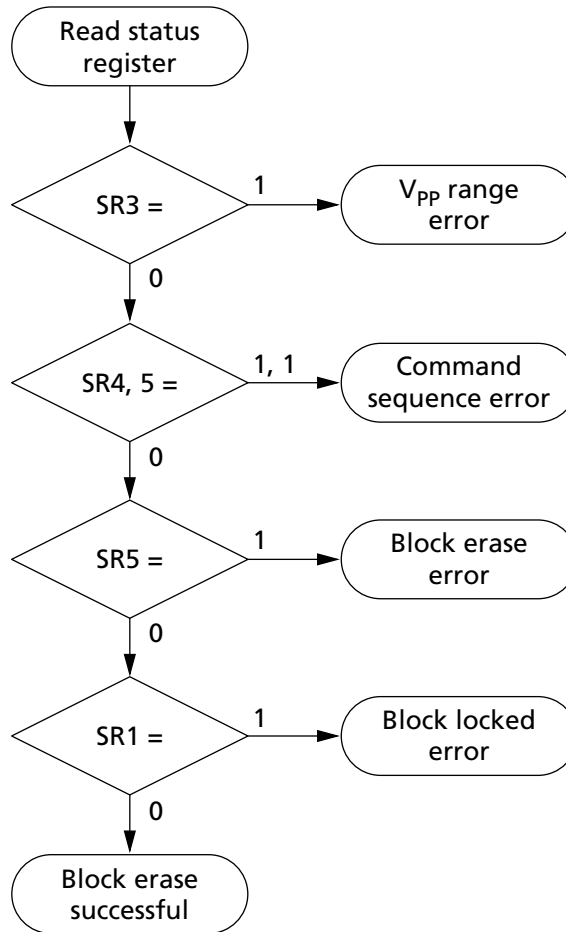
Figure 47: Block Erase Procedure



Bus Operation	Command	Comments
WRITE	BLOCK ERASE SETUP	Data = 0x20 Address = Block to be erased
WRITE	ERASE CONFIRM	Data = 0xD0 Address = Block to be erased
READ	None	Status register data
Idle	None	Check SR7 1 = Write state machine ready 0 = Write state machine busy

- Notes:
1. Repeat for subsequent block erasures.
  2. Full status register check can be done after each block erase or after a sequence of block erasures.
  3. Write 0xFF after the last operation to enter read array mode.

Figure 48: Block Erase Full Status Check Procedure

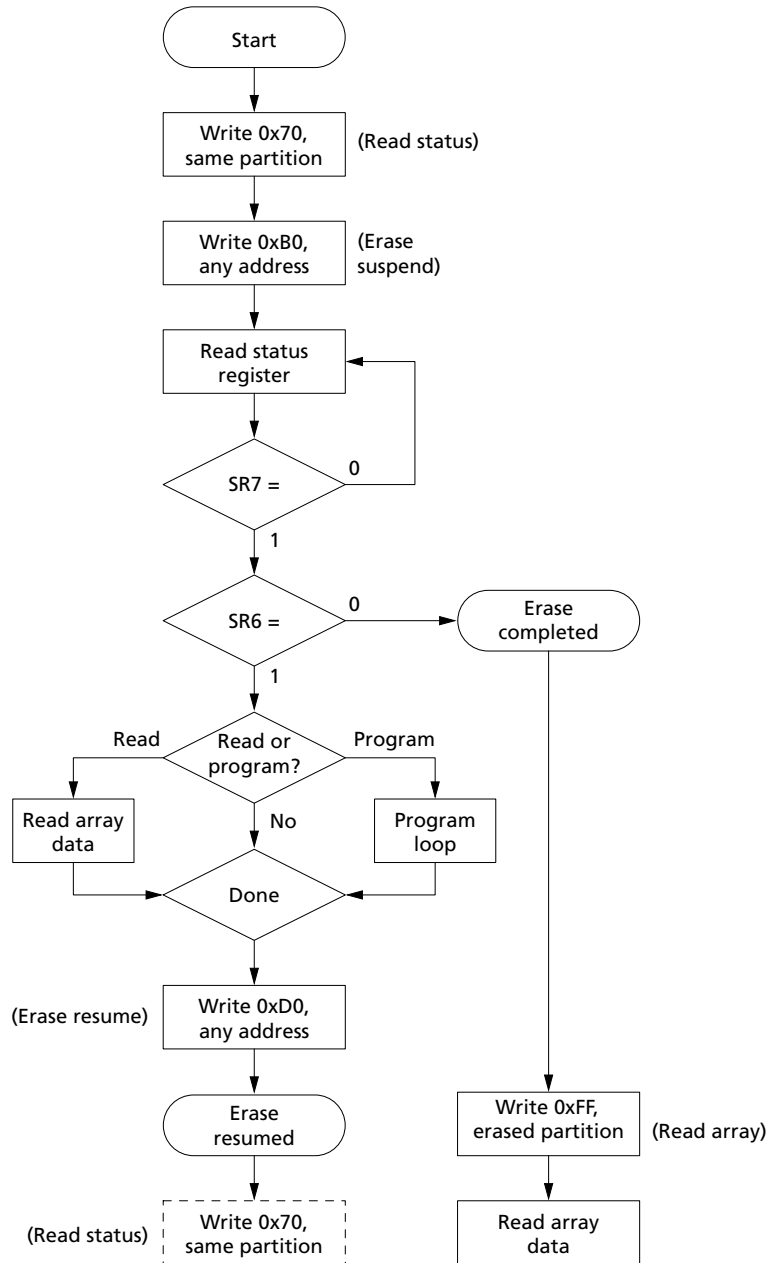


Bus Operation	Command	Comments
Idle	None	Check SR3 1 = V <sub>pp</sub> range error
Idle	None	Check SR[4, 5] Both 1 = Command sequence error
Idle	None	Check SR5 1 = Block erase error
Idle	None	Check SR1 1 = Attempted erase of locked block; erase aborted

- Notes:
1. Only the CLEAR STATUS REGISTER command clears the SR[1, 3, 4, 5].
  2. If an error is detected, clear the status register before attempting an erase retry or other error recovery.



Figure 49: Erase Suspend/Resume Procedure

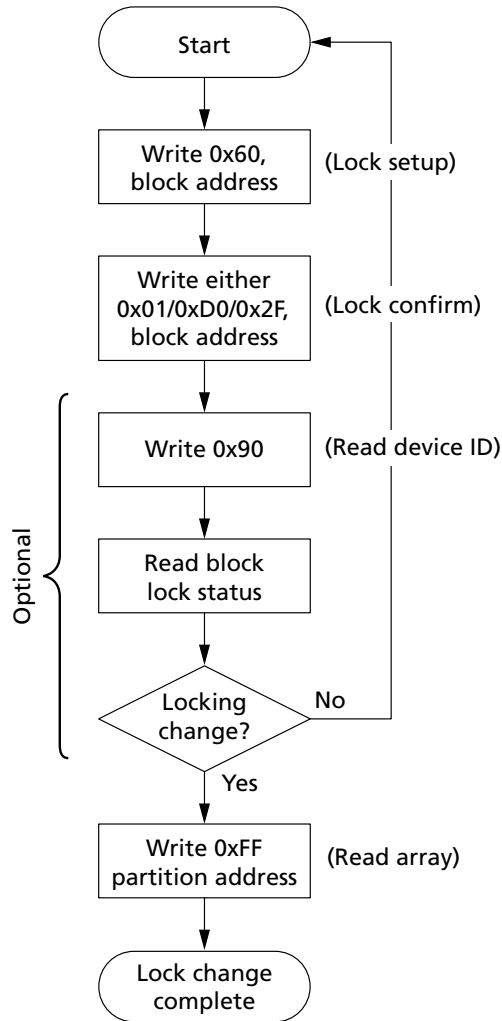


Bus Operation	Command	Comments
WRITE	READ STATUS	Data = 0x70 Address = Any partition address
WRITE	ERASE SUSP- PEND	Data = 0xB0 Address = Same partition address as above
READ	None	Status register data Address = Same partition
Idle	None	Check SR7 1 = Write state machine ready 0 = Write state machine busy
Idle	None	Check SR6 1 = Erase suspended 0 = Erase completed
WRITE	Any READ or PROGRAM	Data = Command for desired operation Address = Any address within the suspended partition
READ or WRITE	None	Read array or program data from/to block other than the one being erased
WRITE	PROGRAM RE- SUME	Data = 0xD0 Address = Any address

If the suspended partition was placed in read array mode or a program loop:

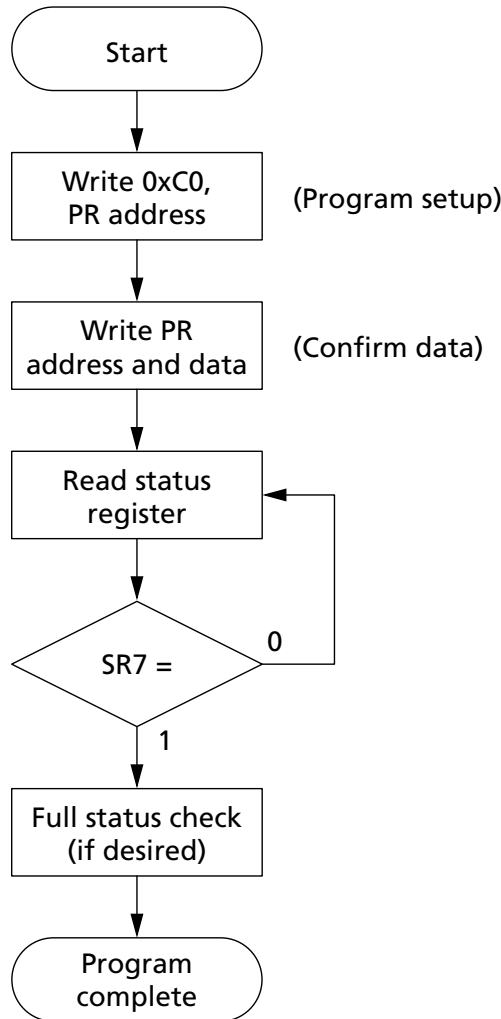
WRITE	READ STATUS REGISTER	Return partition to status mode: Data = 0x70 Address = Same partition
-------	-------------------------	---

Figure 50: Block Lock Operations Procedure



Bus Operation	Command	Comments
WRITE	LOCK SETUP	Data = 0x60 Address = Block to lock/unlock/lock-down
WRITE	LOCK, UNLOCK, or LOCK-DOWN CONFIRM	Data = 0x01 (BLOCK LOCK) Data = 0xD0 (BLOCK UNLOCK) Data = 0x2F (LOCK-DOWN BLOCK) Address = Block to lock/unlock/lock-down
WRITE (optional)	READ DEVICE ID	Data = 0x90 Address = Block address + offset 2
READ (optional)	BLOCK LOCK STATUS	Block lock status data Address = Block address + offset 2
Idle	None	Confirm locking change on D[1, 0]
WRITE	READ ARRAY	Data = 0xFF Address = Block address

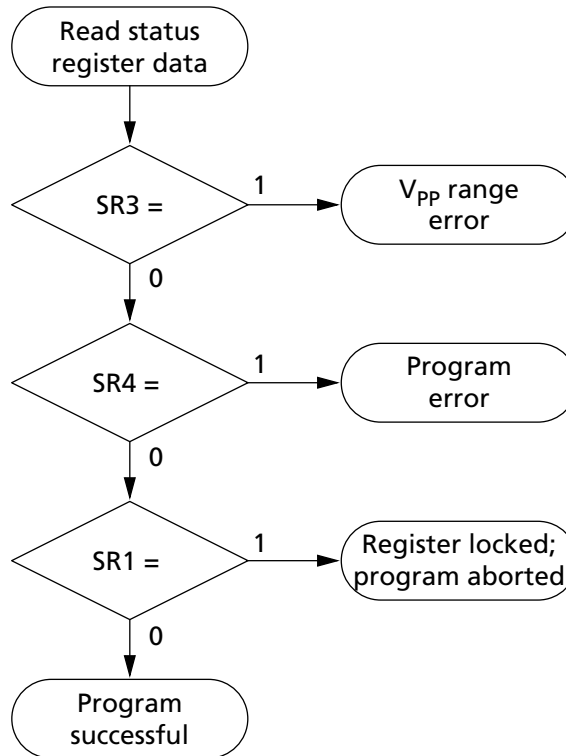
Figure 51: Protection Register Programming Procedure



Bus Operation	Command	Comments
WRITE	PROGRAM PR SETUP	Data = 0xC0 Address = First location to program
WRITE	PROTECTION PROGRAM	Data = Data to program Address = Location to program
READ	None	Status register data
Idle	None	Check SR7 1 = Write state machine ready 0 = Write state machine busy

- Notes:
1. PROGRAM PROTECTION REGISTER operation addresses must be within the protection register address space. Addresses outside this space will return an error.
  2. Repeat for subsequent PROGRAM operations.
  3. Full status register check can be done after each PROGRAM operation or after a sequence of PROGRAM operations.
  4. Write 0xFF after the last operation to set to the read array state.

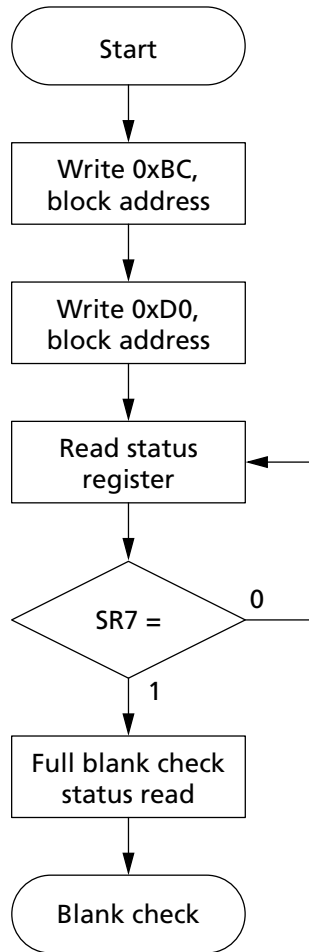
Figure 52: Protection Register Programming Full Status Check Procedure



Bus Operation	Command	Comments
Idle	None	Check SR3 1 = V <sub>pp</sub> error
Idle	None	Check SR4 1 = Programming error
Idle	None	Check SR1 1 = Register locked; operation aborted

- Notes:
1. Only the CLEAR STATUS REGISTER command clears SR[1, 3, 4].
  2. If an error is detected, clear the status register before attempting a program retry or other error recovery.

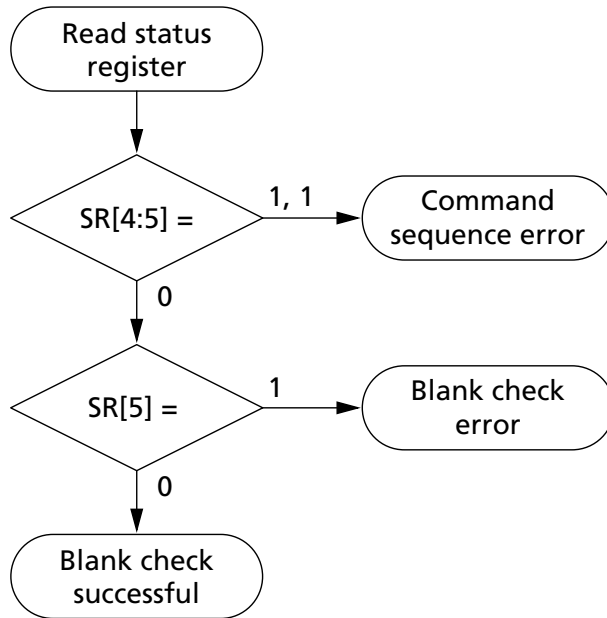
Figure 53: Blank Check Procedure



Bus Operation	Command	Comments
WRITE	BLANK CHECK SETUP	Data = 0xBC Address = Block to be read
WRITE	BLANK CHECK CONFIRM	Data = 0xD0 Address = Block to be read
READ	None	Status register data
Idle	None	Check SR7 1 = Write state machine ready 0 = Write state machine busy

- Notes:
1. Repeat for subsequent block blank check.
  2. Full status register check should be read after blank check has been performed on each block.

Figure 54: Blank Check Full Status Check Procedure



Bus Operation	Command	Comments
Idle	None	Check SR[4, 5] 1 = Command sequence error
Idle	None	Check SR5 1 = Blank check error

- Notes:
1. SR[1, 3] must be cleared before the write state machine will allow blank check to be performed.
  2. Only the CLEAR STATUS REGISTER command clears SR[1, 3, 4, 5].
  3. If an error is detected, clear the status register before attempting a blank check retry or other error recovery.

## AADM Mode

### AADM Feature Overview

The following is a list of general requirements for AADM mode.

**Feature availability.** AADM mode is available in devices that are configured as A/D MUX. With this configuration, AADM mode is enabled by setting a specific volatile bit in the read configuration register.

**High-address capture (A[**MAX:16**]).** When AADM mode is enabled, A[**MAX:16**] and A[15:0] are captured from the A/ DQ[15:0] balls. The selection of A[**MAX:16**] or A[15:0] is determined by the state of the OE# input, as A[**MAX:16**] is captured when OE# is at  $V_{IL}$ .

**READ and WRITE cycle support.** In AADM mode, both asynchronous and synchronous cycles are supported.

**Customer requirements.** For AADM operation, the customer is required to ground A[**MAX:16**].

**Other characteristics.** For AADM, all other device characteristics (program time, erase time,  $I_{CCS}$ , etc.) are the same as A/D MUX unless otherwise stated.

### AADM Mode Enable (RCR[4] = 1)

Setting RCR[4] to its non-default state (1b) enables AADM mode. The default device configuration upon reset or power-up is A/D MUX mode. Upon setting RCR[4] = 1, the upper addresses, A[**MAX:16**] are latched. All 0s are latched by default.

### Bus Cycles and Address Capture

+ AADM bus operations have one or two address cycles. For two address cycles, the upper address (A[**MAX:16**]) must be issued first, followed by the lower address (A[15:0]). For bus operations with only one address cycle, only the lower address is issued. The upper address that applies is the one that was most recently latched on a previous bus cycle. For all READ cycles, sensing begins when the lower address is latched, regardless of whether there are one or two address cycles.

In bus cycles, the external signal that distinguishes the upper address from the lower address is OE#. When OE# is at  $V_{IH}$ , a lower address is captured; when OE# is at  $V_{IL}$ , an upper address is captured.

When the bus cycle has only one address cycle, the timing waveform is similar to A/D MUX mode. The lower address is latched when OE# is at  $V_{IH}$ , and data is subsequently outputted after the falling edge of OE#.

When the device initially enters AADM mode, the upper address is internally latched as all 0s.

### WAIT Behavior

The WAIT behavior in AADM mode functions the same as the legacy non-MUX WAIT behavior (A/D MUX WAIT behavior is unique). In other words, WAIT will always be driven whenever DQ[15:0] is driven, and WAIT will tri-state whenever DQ[15:0] tri-state.



In asynchronous mode (RCR[15] = 1b), WAIT always indicates valid data when driven. In synchronous mode (RCR[15] = 0b), WAIT indicates valid data only after the latency count has lapsed and the data output data is truly valid.

## Asynchronous READ and WRITE Cycles

For asynchronous READ and WRITE cycles, ADV# must be toggled HIGH-LOW-HIGH a minimum of one time and a maximum of two times during a bus cycle. If ADV# is toggled LOW twice during a bus cycle, OE# must be held LOW for the first ADV# rising edge and OE# must be held HIGH for the second ADV# rising edge. The first ADV# rising edge (with OE# LOW) captures A[MAX:16]. The second ADV# rising edge (with OE# HIGH) captures A[15:0]. Each bus cycle must toggle ADV# HIGH-LOW-HIGH at least one time in order to capture A[15:0]. For asynchronous reads, sensing begins when the lower address is latched.

During asynchronous cycles, it is optional to capture A[MAX:16]. If these addresses are not captured, then the previously captured A[MAX:16] contents will be used.

## Asynchronous READ Cycles

For AADM, note that asynchronous read access is from the rising edge of ADV# rather than the falling edge (<sup>t</sup>VHQV rather than <sup>t</sup>VLQV).

**Table 57: AADM Asynchronous and Latching Timings**

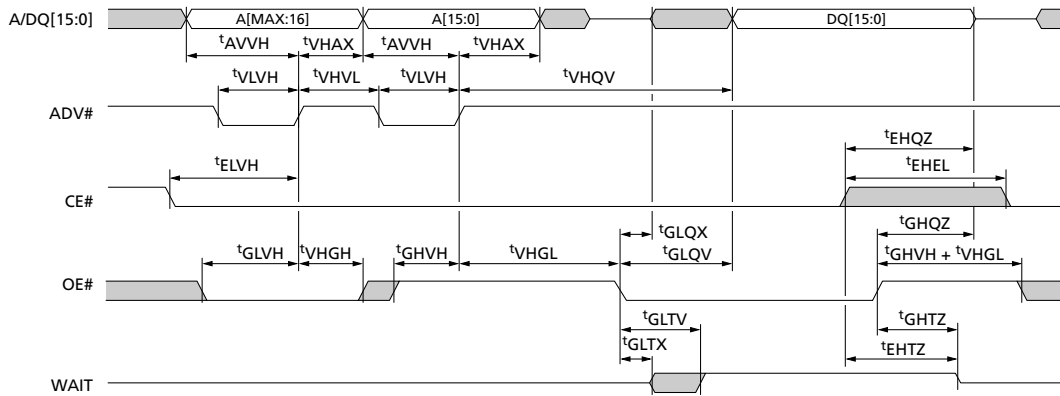
Symbol	MIN (ns)	MAX (ns)	Notes
<sup>t</sup> GLQV		20	
<sup>t</sup> PHQV		150	
<sup>t</sup> ELQX	0		
<sup>t</sup> GLQX	0		
<sup>t</sup> EHQZ		9	
<sup>t</sup> GHQZ		9	
<sup>t</sup> OH	0		
<sup>t</sup> EHEL	7		
<sup>t</sup> ELTV		11	
<sup>t</sup> EHTZ		9	
<sup>t</sup> GLTV		7	
<sup>t</sup> GLTX	0		
<sup>t</sup> GHTZ		9	
<sup>t</sup> AVVH	5		
<sup>t</sup> ELVH	9		
<sup>t</sup> VLVH	7		
<sup>t</sup> VHVL	7		
<sup>t</sup> VHAX	5		
<sup>t</sup> VHGL	3		
<sup>t</sup> VHQV		96	1, 2
<sup>t</sup> PHVH	30		

**Table 57: AADM Asynchronous and Latching Timings (Continued)**

Symbol	MIN (ns)	MAX (ns)	Notes
$t_{GHVH}$	3		
$t_{GLVH}$	3		
$t_{VHGH}$	3		

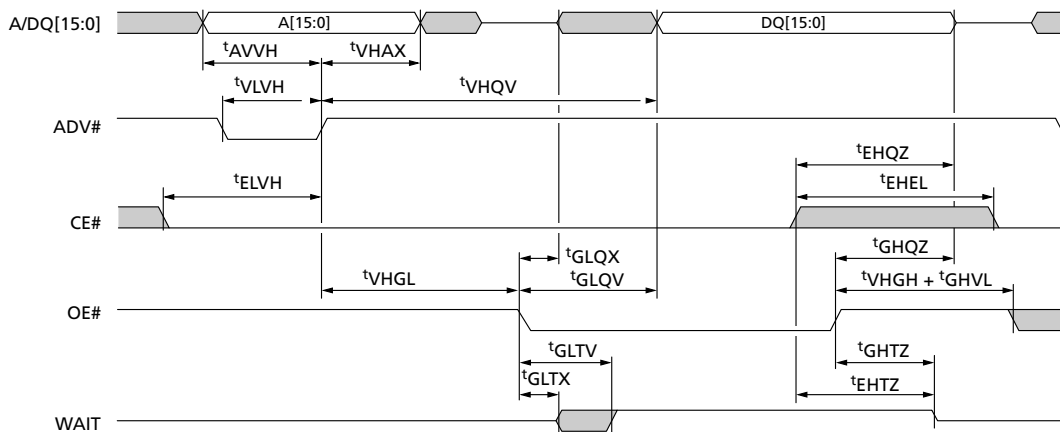
- Notes:
1. A READ cycle may be restarted prior to completing a pending READ operation, but this may occur only once before the sense operation is allowed to complete.
  2.  $t_{VHQV}$  applies to asynchronous read access time.

**Figure 55: AADM Asynchronous READ Cycle (Latching A[*MAX*:0])**



- Notes:
1. CE# need not be de-asserted at beginning of the cycle if OE# does not have output control.
  2. Diagram shows WAIT as active LOW (RCR[10] = 0).

**Figure 56: AADM Asynchronous READ Cycle (Latching A[15:0] only)**



- Notes:
1. Diagram shows WAIT as active LOW (RCR[10] = 0).

- Without latching A[MAX:16] in the asynchronous READ cycle, the previously latched A[MAX:16] applies.

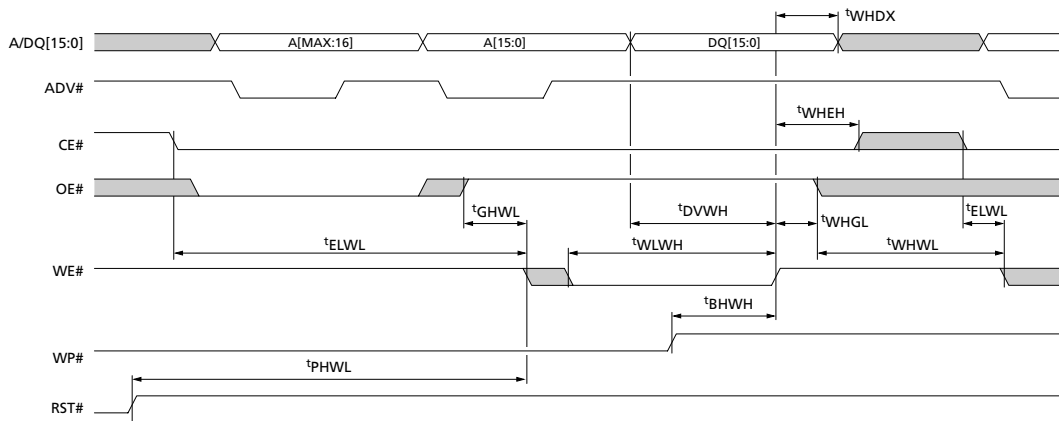
## Asynchronous WRITE Cycles

**Table 58: AADM Asynchronous Write Timings**

Symbol	MIN (ns)
$t_{PHWL}$	150
$t_{ELWL}$	0
$t_{WLWH}$	40
$t_{DVWH}$	40
$t_{WHEH}$	0
$t_{WHDX}$	0
$t_{WHWL}$	20
$t_{VPWH}$	200
$t_{WVVL}$	0
$t_{BHWH}$	200
$t_{WHGL}$	0
$t_{GHWL}$	0

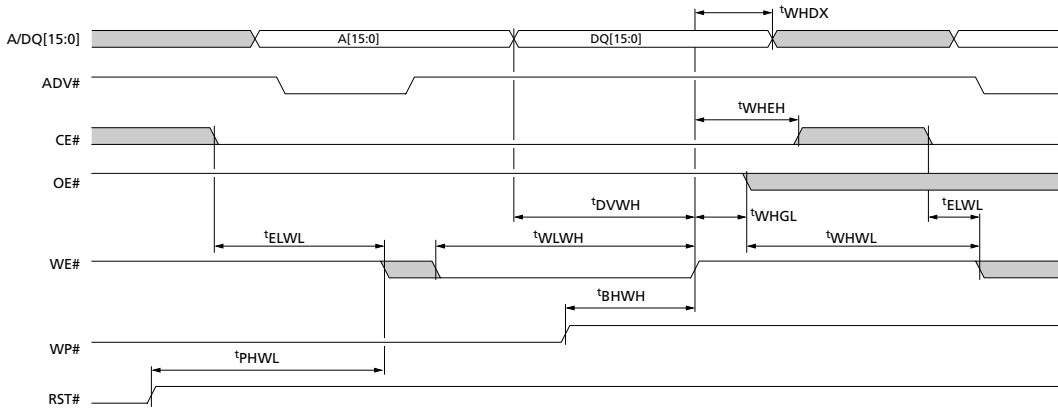
- Notes:
- A READ cycle may be restarted prior to completing a pending READ operation, but this may occur only once before the sense operation is allowed to complete.
  - $t_{VHQV}$  applies to asynchronous read access time.

**Figure 57: AADM Asynchronous WRITE Cycle (Latching A[MAX:0])**



- Note:
- CE# need not be de-asserted at beginning of cycle if OE# does not have output control.

**Figure 58: AADM Asynchronous WRITE Cycle (Latching A[15:0] only)**



Note: 1. Without latching A[MAX:16] in the WRITE cycle, the previously latched A[MAX:16] applies.

### Synchronous READ and WRITE Cycles

Just as asynchronous bus cycles, synchronous bus cycles (RCR[15] = 0b) can have one or two address cycles. If there are two address cycles, the upper address must be latched first with OE# at V<sub>IL</sub> followed by the lower address with OE# at V<sub>IH</sub>. If there is only one address cycle, only the lower address will be latched and the previously latched upper address applies. For reads, sensing begins when the lower address is latched, but for synchronous reads, addresses are latched on a rising clock CLK instead of a rising ADV# edge.

For synchronous bus cycles with two address cycles, it is not necessary to de-assert ADV# between the two address cycles. This allows both the upper and lower address to be latched in only two clock periods.

### Synchronous READ Cycles

For synchronous READ operation, the specifications in the AADM Asynchronous and Latching Timings Table also apply.

**Table 59: AADM Synchronous Timings**

Notes 1 and 2 apply to entire table

Symbol	Target (104 MHz) Min (ns)	Target (104 MHz) Max (ns)	Notes
t <sub>CLK</sub>	9.6		
t <sub>RISE/FALL</sub>		1.5	3
t <sub>AVCH</sub>	3		
t <sub>VLCH</sub>	3		
t <sub>ELCH</sub>	3.5		
t <sub>CHQV</sub>		7	
t <sub>CHQX</sub>	1		

**Table 59: AADM Synchronous Timings (Continued)**

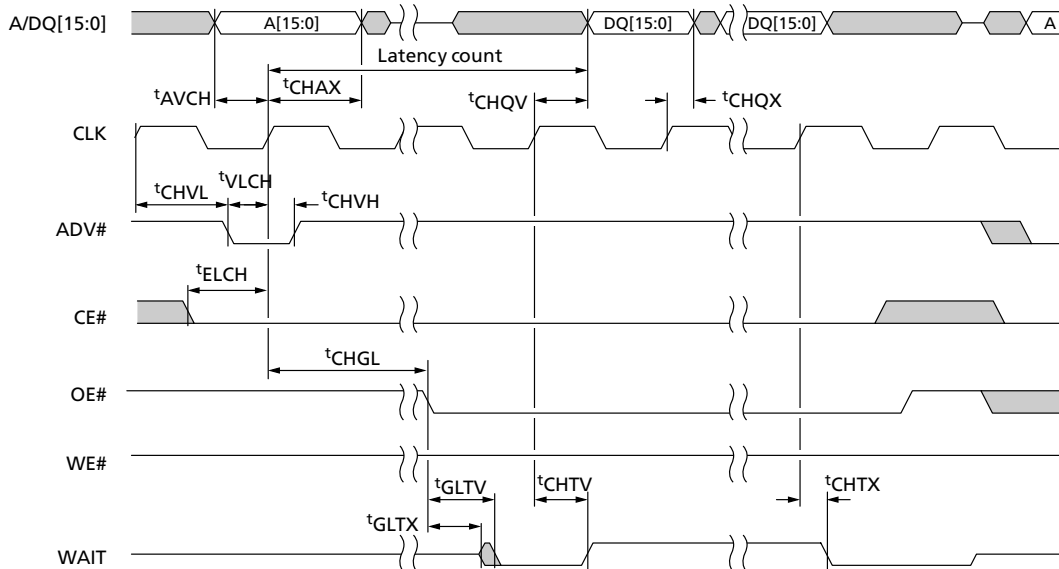
Notes 1 and 2 apply to entire table

Symbol	Target (104 MHz) Min (ns)	Target (104 MHz) Max (ns)	Notes
$t_{CHAX}$	5		4
$t_{CHTV}$		7	
$t_{CHVL}$	2.5		
$t_{CHTX}$	1		
$t_{CHVH}$	2		
$t_{CHGL}$	2.5		6, 4
$t_{VLVH}$	$t_{CLK}$	$2 \times t_{CLK}$	5, 6
$t_{VHCH}$	3		
$t_{CHGH}$	2		
$t_{GHCH}$	2		
$t_{GLCH}$	3		

- Notes:
1. In synchronous burst READ cycles, the asynchronous OE# to ADV# setup and hold times must also be met ( $t_{GHVH}$  and  $t_{VHGL}$ ) to signify that the address capture phase of the bus cycle is complete.
  2. A READ cycle may only be terminated (prior to the completion of sensing data) one time before a full bus cycle must be allowed to complete.
  3. Rise and fall time specified between  $V_{IL}$  and  $V_{IH}$ .
  4. To prevent A/D bus contention between the host and the memory device, OE# may only be asserted LOW after the host has satisfied the ADDR hold spec,  $t_{CHAX}$ .
  5. The device must operate down to 9.6 MHz in synchronous burst mode.
  6. During the address capture phase of a read burst bus cycle, OE# timings relative to CLK shall be identical to those of ADV# relative to CLK.



Figure 61: AADM Synchronous Burst READ Cycle (Latching A[15:0] only)



- Notes:
1. Diagram shows WAIT as active LOW (RCR[10] = 0) and asserted with data (RCR[8] = 0).
  2. For no-wrap bursts, end-of-wordline WAIT states could occur (not shown).
  3. Without latching A[MAX:16] in the synchronous READ cycle, the previously latched A[MAX:16] applies.

## Synchronous WRITE Cycles

For synchronous writes, only the address latching cycle(s) are synchronous. Synchronous address latching is depicted in the Synchronous READ Cycles.

The actual WRITE operation (rising WE# edge) is asynchronous and is independent of CLK. Asynchronous writes are depicted in Asynchronous WRITE Cycles.

## System Boot

Systems that use the AADM mode will boot from the bottom 128KB of device memory because A[MAX:16] are expected to be grounded in-system. The 128KB boot region is sufficient to perform required boot activities before setting RCR[4] to enable AADM mode.

## Revision History

### Rev. I – 03/15

- Changed  $V_{LKOQ}$  MIN value to 0.8V in the DC Voltage Characteristics and Operating Conditions table
- Changed  $T_C$  to  $T_A$ , including operating conditions and programming operations sections

### Rev. H – 10/14

- Updated features page to add JESD47H-compliant with 20 year data retention.
- Corrected Supported Latency and Clock Frequency table.
- Revised  $t_{CLK}$  from 9ns to 9.6ns in the AADM Synchronous Timings table.
- Minor format edit: moved Supported Latency and Clock Frequency table to the end of the read configuration register topic.

### Rev. G – 9/13

- Removed deep power down information.
- Changed lower temperature range from  $-30^{\circ}\text{C}$  to  $-40^{\circ}\text{C}$ .
- Corrected the package dimensions graphic, the signal assignments graphic and its corresponding address mapping table, and the address input rows in the Signal Descriptions table.
- Updated the Read Configuration Register Bit Definitions table.
- Updated the Read CFI operations.
- Updated density information in the programming regions graphics.
- Changed EFP to BEFP in the BEFP Requirements and Considerations table.
- Removed all except 65nm (lithography) .
- Changed A[15:0] to A/DQ[15:0] in the Synchronous Read to Write and Write to Synchronous Read AD Mux timings.
- Updated part numbers.

### Rev. F – 8/11

- Removed (45nm, 65nm, Litho) from the Device ID Codes table.
- Changed balls H2 and H6 from  $V_{SS}$  to  $V_{SSQ}$  in Figure 2.
- Corrected A/D MUX symbol from A[MAX:16] to A[MAX:17] in the Signal Descriptions table.
- Added the Address Mapping for Address/ Data Mux Mode table.
- Updated the Read Configuration Register Bit Definitions table.

### Rev. E – 8/11

- CFI ID string table, hex offset 13h: Changed address 13 hex code to 00; changed address 14 hex code to 02.
- Table: DC Voltage Characteristics and Operating Conditions: Changed  $V_{IL}$  Max to 0.45; changed  $V_{IH}$  Min to  $V_{CCQ} - 0.45$ .



**Rev. D – 5/11**

- Revised for reuse.

**Rev. C – 2/11**

- Added AAD-mux description.

**Rev. B – 12/10**

- Made miscellaneous text edits and formatting improvements.

**Rev. A – 12/10**

- Initial release.

8000 S. Federal Way, P.O. Box 6, Boise, ID 83707-0006, Tel: 208-368-4000  
[www.micron.com/products/support](http://www.micron.com/products/support) Sales inquiries: 800-932-4992  
Micron and the Micron logo are trademarks of Micron Technology, Inc.  
All other trademarks are the property of their respective owners.

This data sheet contains minimum and maximum limits specified over the power supply and temperature range set forth herein. Although considered final, these specifications are subject to change, as further product development and data characterization sometimes occur.

## X-ON Electronics

Largest Supplier of Electrical and Electronic Components

*Click to view similar products for [NOR Flash](#) category:*

*Click to view products by [Micron](#) manufacturer:*

Other Similar products are found below :

[AM29BL162CB-80RDPE1](#) [AM29F800BT-90DPE 2](#) [S29AL016J70BFI012](#) [S29AL016J70FFI022](#) [S29GL064N90BFI032](#)  
[S29GL064N90BFI042](#) [S29GL064N90FFI012](#) [S29GL128P10FFI022](#) [S29GL256P11FFIV12](#) [S29GL256P11FFIV22](#) [S29GL512S10GHI020](#)  
[S70FL01GSAGMFV011](#) [S99-50389 P](#) [AM29F016D-120DPI 1](#) [AT25DF011-SSH-N-T](#) [AT25DF011-XMHN-T](#) [AT25DF041B-MHN-Y](#)  
[AT25DN256-SSH-F-T](#) [AT25DN512C-MAHF-T](#) [AT45DB161E-CCUD-T](#) [S29AL008J55BFIR22](#) [S29GL032N90TFI033](#) [S29GL032N90TFI043](#)  
[S29GL256P11FFI012](#) [S29JL064J55TFI003](#) [S70FL01GSAGMFI013](#) [S99-50052](#) [S29AL008J55BFIR23](#) [M29W128GL70ZS3F](#)  
[PC28F128J3F75B](#) [S29GL128P10TFI013](#) [S29GL064N90FFI022](#) [S29GL032N11FFIS12](#) [S29AL016D90DGI027](#) [S29JL032J70TFI423](#)  
[S29GL128S10TFIV13](#) [S29AL016J70WEI029](#) [S25FL132K0XMFB043](#) [AT25DF041B-SSH-NHR-T](#) [S25FL116K0XNFB010](#)  
[S25FL132K0XBHA020](#) [AT25SL321-MBUE-T](#) [SST39VF800A-70-4I-MAQE](#) [LE25S40MB-AH](#) [S25FL116K0XNFA013](#) [SST39VF400A-70-](#)  
[4C-MAQE](#) [AT25DF512C-XMHN-T](#) [S25FL256LAGMFI001](#) [S26KL128SDABHN020](#) [520366231286](#)