



# NAND Flash with Mobile LPDDR4/LPDDR4X 149-Ball MCP

MT29GZ5A5BPGGA-53IT.87J, MT29GZ5A5BPGGA-046IT.87J

## Features

- Micron® NAND Flash and LPDDR4/LPDDR4X components
- RoHS-compliant, “green” package
- Separate NAND Flash and LPDDR4/LPDDR4X interfaces
- Space-saving multichip package (MCP)
- Low-voltage operation
- Industrial temperature range: -40°C to +85°C

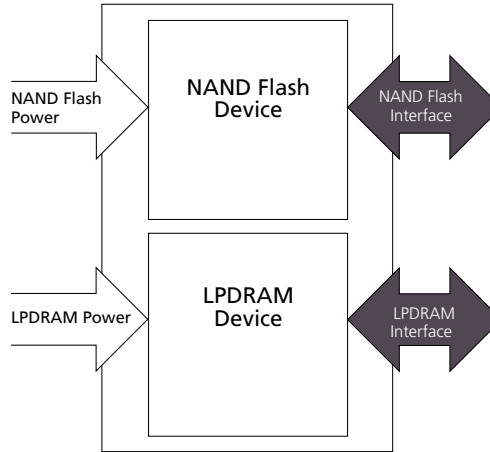
## NAND Flash-Specific Features

- Organization
  - Page size x8: 4352 bytes (4096 + 256 bytes)
  - Block size: 64 pages
  - Number of planes: 1
- $V_{CC} = 1.70\text{--}1.95\text{V}$ ; 1.80V nominal

## Mobile LPDDR4/LPDDR4X-Specific Features

- Ultra-low-voltage core and I/O power supply
  - $V_{DD1} = 1.70\text{--}1.95\text{V}$ ; 1.80V nominal
  - $V_{DD2} = 1.06\text{--}1.17\text{V}$ ; 1.1V nominal
  - $V_{DDQ} = 1.06\text{--}1.17\text{V}$ ; 1.10V nominal or Low  $V_{DDQ} = 0.57\text{--}0.65\text{V}$ ; 0.60V nominal
- Frequency range
  - 2133–10 MHz (data rate range: 4266–20 Mb/s/pin)
- 16n prefetch DDR architecture
- 8 internal banks per channel for concurrent operation
- Single-data-rate CMD/ADR entry
- Bidirectional/differential data strobe per byte lane

Figure 1: MCP Block Diagram



## Mobile LPDDR4/LPDDR4X-Specific Features (Continued)

- Programmable READ and WRITE latencies (RL/WL)
- Programmable and on-the-fly burst lengths (BL = 16, 32)
- Directed per-bank refresh for concurrent bank operation and ease of command scheduling
- On-chip temperature sensor to control self refresh rate
- Partial-array self refresh (PASR)
- Selectable output drive strength (DS)
- Programmable  $V_{SS}$  (ODT) termination

Note: 1. For physical part markings, see Part Numbering Information.

Table 1: Key Timing Parameters

Speed Grade	Clock Rate (MHz)	Data Rate (Mb/s/pin)	WRITE Latency		READ Latency	
			Set A	Set B	DBI Disabled	DBI Enabled
-53	1866	3733	16	30	32	36
-046	2133	4266	18	34	36	40



## 149-Ball NAND Flash with LPDDR4/LPDDR4X MCP Features

**Table 2: Configuration Addressing**

Architecture	256 Meg x 16
Die configuration	32 Meg x 16 x 8 banks
Row addressing	32K (A[14:0])
Column addressing	1K (A[9:0])
Number of die	1
Die per rank	1
Ranks per channel <sup>1</sup>	1

Note: 1. A channel is a complete LPDRAM interface, including command/address and data pins.

**Table 3: Part Number References**

MCP	NAND Discrete	NAND READ ID Parameter
MT29GZ5A5BPGGA-53IT.87J, MT29GZ5A5BPGGA-046IT.87J	MT29F4G08	MT29F4G08ABBFA 4Gb, x8, 1.8V

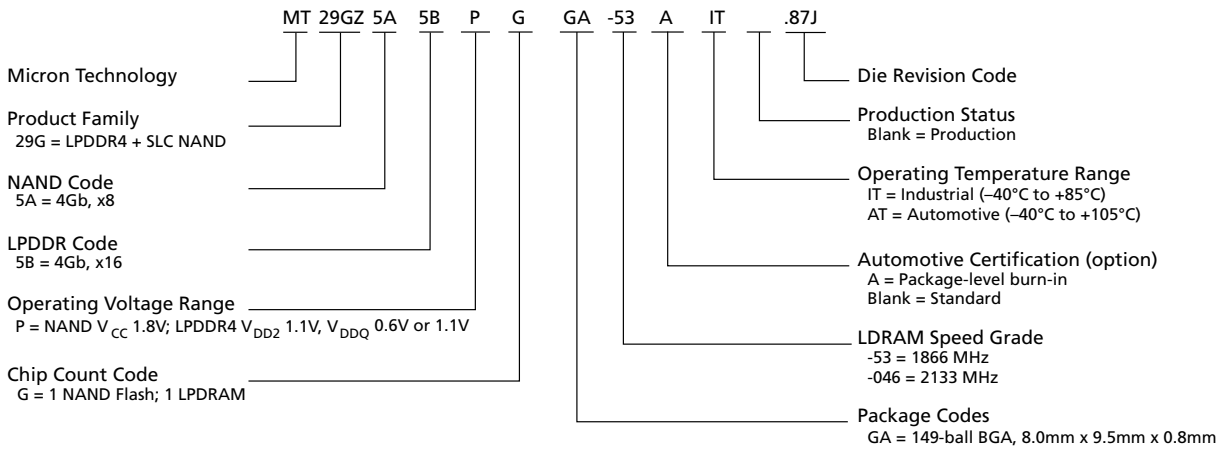


# 149-Ball NAND Flash with LPDDR4/LPDDR4X MCP Features

## Part Numbering Information

Micron NAND Flash and LPDRAM devices are available in different configurations and densities. The MCP/PoP part numbering guide is available at [www.micron.com/numbering](http://www.micron.com/numbering).

**Figure 2: Part Number Chart**



\*Z = a null character used as a placeholder.

## Device Marking

Due to the size of the package, the Micron-standard part number is not printed on the top of the device. Instead, an abbreviated device mark consisting of a 5-digit alphanumeric code is used. The abbreviated device marks are cross-referenced to the Micron part numbers at the FBGA Part Marking Decoder site: [www.micron.com/decoder](http://www.micron.com/decoder). To view the location of the abbreviated mark on the device, refer to customer service note CSN-11, "Product Mark/Label," at [www.micron.com/csn](http://www.micron.com/csn).



## Contents

Important Notes and Warnings .....	21
MCP General Description .....	22
Ball Assignments and Descriptions .....	23
Device Diagrams .....	26
Package Dimensions .....	27
4Gb: x8, x16 NAND Flash Memory .....	28
Features .....	28
General Description .....	29
Architecture .....	30
Device and Array Organization .....	31
Asynchronous Interface Bus Operation .....	34
Asynchronous Enable/Standby .....	34
Asynchronous Commands .....	34
Asynchronous Addresses .....	35
Asynchronous Data Input .....	36
Asynchronous Data Output .....	38
Write Protect# .....	39
Ready/Busy# .....	40
Device Initialization .....	43
Power Cycle Requirements .....	44
Command Definitions .....	45
Reset Operations .....	47
RESET (FFh) .....	47
Identification Operations .....	48
READ ID (90h) .....	48
READ ID Parameter Tables .....	49
READ PARAMETER PAGE (ECh) .....	51
Parameter Page Data Structure Table .....	52
READ UNIQUE ID (EDh) .....	54
Feature Operations .....	55
SET FEATURES (EFh) .....	56
GET FEATURES (EEh) .....	56
Status Operations .....	59
READ STATUS (70h) .....	60
READ STATUS ENHANCED (78h) .....	60
Column Address Operations .....	62
RANDOM DATA READ (05h-E0h) .....	62
RANDOM DATA INPUT (85h) .....	64
PROGRAM FOR INTERNAL DATA INPUT (85h) .....	65
Read Operations .....	66
READ MODE (00h) .....	67
READ PAGE (00h-30h) .....	67
READ PAGE CACHE SEQUENTIAL (31h) .....	68
READ PAGE CACHE RANDOM (00h-31h) .....	69
READ PAGE CACHE LAST (3Fh) .....	70
Program Operations .....	71
PROGRAM PAGE (80h-10h) .....	71
PROGRAM PAGE CACHE (80h-15h) .....	72
Erase Operations .....	74
ERASE BLOCK (60h-D0h) .....	74





## 149-Ball NAND Flash with LPDDR4/LPDDR4X MCP Features

Internal Data Move Operations .....	75
READ FOR INTERNAL DATA MOVE (00h-35h) .....	75
PROGRAM FOR INTERNAL DATA MOVE (85h-10h) .....	76
Block Lock Feature .....	78
WP# and Block Lock .....	78
UNLOCK (23h-24h) .....	78
LOCK (2Ah) .....	80
LOCK TIGHT (2Ch) .....	81
BLOCK LOCK READ STATUS (7Ah) .....	82
PROTECT Command .....	84
Protection Command Details .....	85
Permanent Block Lock Disable Mode .....	86
One-Time Programmable (OTP) Operations .....	87
Legacy OTP Commands .....	87
OTP DATA PROGRAM (80h-10h) .....	87
RANDOM DATA INPUT (85h) .....	88
OTP DATA PROTECT (80h-10) .....	89
OTP DATA READ (00h-30h) .....	90
ECC Protection .....	91
Error Management .....	95
Electrical Specifications .....	96
Electrical Specifications – DC Characteristics and Operating Conditions .....	98
Electrical Specifications – AC Characteristics and Operating Conditions .....	100
Electrical Specifications – Program/Erase Characteristics .....	103
Asynchronous Interface Timing Diagrams .....	104
4Gb: x16 Mobile LPDDR4/LPDDR4X SDRAM .....	114
Features .....	114
General Description .....	115
General Notes .....	115
MR0, MR[6:5], MR8, MR13, MR24 Definition .....	116
LPDDR4 I <sub>DD</sub> Parameters .....	117
LPDDR4X I <sub>DD</sub> Parameters .....	121
Functional Description .....	125
Monolithic Device Addressing .....	126
Simplified Bus Interface State Diagram .....	129
Power-Up and Initialization .....	130
Voltage Ramp .....	131
Reset Initialization with Stable Power .....	133
Power-Off Sequence .....	134
Controlled Power-Off .....	134
Uncontrolled Power-Off .....	134
Mode Registers .....	135
Mode Register Assignments and Definitions .....	135
Commands and Timing .....	161
Truth Tables .....	161
ACTIVATE Command .....	163
Read and Write Access Modes .....	165
Preamble and Postamble .....	165
Burst READ Operation .....	169
Read Timing .....	171
<sup>t</sup> LZ(DQS), <sup>t</sup> LZ(DQ), <sup>t</sup> HZ(DQS), <sup>t</sup> HZ(DQ) Calculation .....	171
<sup>t</sup> LZ(DQS) and <sup>t</sup> HZ(DQS) Calculation for ATE (Automatic Test Equipment) .....	172



## 149-Ball NAND Flash with LPDDR4/LPDDR4X MCP Features

<sup>t</sup> LZ(DQ) and <sup>t</sup> HZ(DQ) Calculation for ATE (Automatic Test Equipment) .....	173
Burst WRITE Operation .....	175
Write Timing .....	178
<sup>t</sup> WPRE Calculation for ATE (Automatic Test Equipment) .....	179
<sup>t</sup> WPST Calculation for ATE (Automatic Test Equipment) .....	179
MASK WRITE Operation .....	180
Mask Write Timing Constraints for BL16 .....	182
Data Mask and Data Bus Inversion (DBI [DC]) Function .....	184
WRITE and MASKED WRITE Operation DQS Control (WDQS Control) .....	188
WDQS Control Mode 1 – Read-Based Control .....	188
WDQS Control Mode 2 – WDQS_On/Off .....	188
Preamble and Postamble Behavior .....	192
Preamble, Postamble Behavior in READ-to-READ Operations .....	192
READ-to-READ Operations – Seamless .....	193
READ-to-READ Operations – Consecutive .....	194
WRITE-to-WRITE Operations – Seamless .....	201
WRITE-to-WRITE Operations – Consecutive .....	204
PRECHARGE Operation .....	208
Burst READ Operation Followed by Precharge .....	208
Burst WRITE Followed by Precharge .....	209
Auto Precharge .....	210
Burst READ With Auto Precharge .....	210
Burst WRITE With Auto Precharge .....	211
RAS Lock Function .....	215
Delay Time From WRITE-to-READ with Auto Precharge .....	216
REFRESH Command .....	217
Burst READ Operation Followed by Per Bank Refresh .....	223
Refresh Requirement .....	224
SELF REFRESH Operation .....	225
Self Refresh Entry and Exit .....	225
Power-Down Entry and Exit During Self Refresh .....	226
Command Input Timing After Power-Down Exit .....	227
Self Refresh Abort .....	228
MRR, MRW, MPC Commands During <sup>t</sup> XSR, <sup>t</sup> RFC .....	228
Power-Down Mode .....	231
Power-Down Entry and Exit .....	231
Input Clock Stop and Frequency Change .....	241
Clock Frequency Change – CKE LOW .....	241
Clock Stop – CKE LOW .....	241
Clock Frequency Change – CKE HIGH .....	241
Clock Stop – CKE HIGH .....	242
MODE REGISTER READ Operation .....	243
MRR After a READ and WRITE Command .....	244
MRR After Power-Down Exit .....	246
MODE REGISTER WRITE .....	247
Mode Register Write States .....	248
V <sub>REF</sub> Current Generator (VRCG) .....	249
V <sub>REF</sub> Training .....	251
V <sub>REF(CA)</sub> Training .....	251
V <sub>REF(DQ)</sub> Training .....	256
Command Bus Training .....	261
Command Bus Training Mode .....	261



## 149-Ball NAND Flash with LPDDR4/LPDDR4X MCP Features

Training Sequence for Single-Rank Systems .....	262
Training Sequence for Multiple-Rank Systems .....	263
Relation Between CA Input Pin and DQ Output Pin .....	264
Write Leveling .....	268
Mode Register Write-WR Leveling Mode .....	268
Write Leveling Procedure .....	268
Input Clock Frequency Stop and Change .....	269
MULTIPURPOSE Operation .....	272
Read DQ Calibration Training .....	277
Read DQ Calibration Training Procedure .....	277
Read DQ Calibration Training Example .....	279
MPC[READ DQ CALIBRATION] After Power-Down Exit .....	280
Write Training .....	280
Internal Interval Timer .....	286
DQS Interval Oscillator Matching Error .....	288
OSC Count Readout Time .....	289
Thermal Offset .....	291
Temperature Sensor .....	291
ZQ Calibration .....	292
ZQCAL Reset .....	293
Multichannel Considerations .....	294
ZQ External Resistor, Tolerance, and Capacitive Loading .....	294
Frequency Set Points .....	295
Frequency Set Point Update Timing .....	296
Pull-Up and Pull-Down Characteristics and Calibration .....	300
On-Die Termination for the Command/Address Bus .....	301
ODT Mode Register and ODT State Table .....	301
ODT Mode Register and ODT Characteristics .....	302
ODT for CA Update Time .....	303
DQ On-Die Termination .....	303
Output Driver and Termination Register Temperature and Voltage Sensitivity .....	305
ODT Mode Register .....	306
Asynchronous ODT .....	306
DQ ODT During Power-Down and Self Refresh Modes .....	308
ODT During Write Leveling Mode .....	308
Target Row Refresh Mode .....	309
TRR Mode Operation .....	309
Post-Package Repair .....	311
Failed Row Address Repair .....	311
Read Preamble Training .....	313
Electrical Specifications .....	314
Absolute Maximum Ratings .....	314
AC and DC Operating Conditions .....	314
AC and DC Input Measurement Levels .....	316
Input Levels for CKE .....	316
Input Levels for RESET_n .....	316
Differential Input Voltage for CK .....	316
Peak Voltage Calculation Method .....	317
Single-Ended Input Voltage for Clock .....	318
Differential Input Slew Rate Definition for Clock .....	319
Differential Input Cross-Point Voltage .....	320
Differential Input Voltage for DQS .....	321



## 149-Ball NAND Flash with LPDDR4/LPDDR4X MCP Features

Peak Voltage Calculation Method .....	321
Single-Ended Input Voltage for DQS .....	322
Differential Input Slew Rate Definition for DQS .....	323
Differential Input Cross-Point Voltage .....	324
Input Levels for ODT_CA .....	325
Output Slew Rate and Overshoot/Undershoot specifications .....	325
Single-Ended Output Slew Rate .....	325
Differential Output Slew Rate .....	326
Overshoot and Undershoot Specifications .....	327
Driver Output Timing Reference Load .....	327
LVSTL I/O System .....	328
Input/Output Capacitance .....	329
I <sub>DD</sub> Specification Parameters and Test Conditions .....	330
I <sub>DD</sub> Specifications .....	346
AC Timing .....	348
CA Rx Voltage and Timing .....	358
DQ Tx Voltage and Timing .....	361
DRAM Data Timing .....	361
DQ Rx Voltage and Timing .....	362
Clock Specification .....	365
<sup>t</sup> CK(abs), <sup>t</sup> CH(abs), and <sup>t</sup> CL(abs) .....	366
Clock Period Jitter .....	366
Clock Period Jitter Effects on Core Timing Parameters .....	366
Cycle Time Derating for Core Timing Parameters .....	367
Clock Cycle Derating for Core Timing Parameters .....	367
Clock Jitter Effects on Command/Address Timing Parameters .....	367
Clock Jitter Effects on READ Timing Parameters .....	367
Clock Jitter Effects on WRITE Timing Parameters .....	368
LPDDR4 1.10V <sub>DDQ</sub> .....	369
Power-Up and Initialization - LPDDR4 .....	369
Mode Register Definition - LPDDR4 .....	370
Burst READ Operation - LPDDR4 ATE Condition .....	379
<sup>t</sup> LZ(DQS), <sup>t</sup> LZ(DQ), <sup>t</sup> HZ(DQS), <sup>t</sup> HZ(DQ) Calculation .....	379
<sup>t</sup> LZ(DQS) and <sup>t</sup> HZ(DQS) Calculation for ATE (Automatic Test Equipment) .....	379
<sup>t</sup> LZ(DQ) and <sup>t</sup> HZ(DQ) Calculation for ATE (Automatic Test Equipment) .....	381
V <sub>REF</sub> Specifications - LPDDR4 .....	383
Internal V <sub>REF(CA)</sub> Specifications .....	383
Internal V <sub>REF(DQ)</sub> Specifications .....	384
Command Definitions and Timing Diagrams - LPDDR4 .....	386
Pull Up/Pull Down Driver Characteristics and Calibration .....	386
On-Die Termination for the Command/Address Bus .....	386
ODT Mode Register and ODT State Table .....	387
ODT Mode Register and ODT Characteristics .....	388
DQ On-Die Termination .....	389
Output Driver and Termination Register Temperature and Voltage Sensitivity .....	392
AC and DC Operating Conditions - LPDDR4 .....	393
Recommended DC Operating Conditions .....	393
Output Slew Rate and Overshoot/Undershoot specifications - LPDDR4 .....	393
Single-Ended Output Slew Rate .....	393
Differential Output Slew Rate .....	394
LVSTL I/O System - LPDDR4 .....	395
Revision History .....	397



## 149-Ball NAND Flash with LPDDR4/LPDDR4X MCP Features

---

Rev. F, Production – 3/2020 .....	397
Rev. E, Production – 4/19 .....	397
Rev. D, Production – 7/18 .....	397
Rev. C, Preliminary – 11/17 .....	397
Rev. B, Advanced – 6/17 .....	397
Rev. A, Advanced – 4/17 .....	397



## List of Figures

Figure 1: MCP Block Diagram .....	1
Figure 2: Part Number Chart .....	3
Figure 3: 149-Ball WFBGA (x16 LPDDR) Ball Assignments .....	23
Figure 4: 149-Ball Functional Block Diagram (LPDDR) .....	0
Figure 5: 149-Ball WFBGA .....	27
Figure 6: NAND Flash Die (LUN) Functional Block Diagram .....	30
Figure 7: Array Organization - MT29F4G08 .....	31
Figure 8: Array Organization - MT29F8G08 .....	32
Figure 9: Array Organization - MT29F4G16 .....	33
Figure 10: Asynchronous Command Latch Cycle .....	35
Figure 11: Asynchronous Address Latch Cycle .....	36
Figure 12: Asynchronous Data Input Cycles .....	37
Figure 13: Asynchronous Data Output Cycles .....	39
Figure 14: Asynchronous Data Output Cycles (EDO Mode) .....	39
Figure 15: READ/BUSY# Open Drain .....	41
Figure 16: $t_{\text{Fall}}$ and $t_{\text{Rise}}$ (3.3V $V_{\text{CC}}$ ) .....	41
Figure 17: $I_{\text{OL}}$ vs. $R_{\text{p}}$ ( $V_{\text{CC}} = 3.3V V_{\text{CC}}$ ) .....	42
Figure 18: $T_{\text{C}}$ vs. $R_{\text{p}}$ .....	42
Figure 19: R/B# Power-On Behavior .....	43
Figure 20: RESET (FFh) Operation .....	47
Figure 21: READ ID (90h) with 00h Address Operation .....	48
Figure 22: READ ID (90h) with 20h Address Operation .....	48
Figure 23: READ PARAMETER (ECh) Operation .....	51
Figure 24: READ UNIQUE ID (EDh) Operation .....	54
Figure 25: SET FEATURES (EFh) Operation .....	56
Figure 26: GET FEATURES (EEh) Operation .....	57
Figure 27: READ STATUS (70h) Operation .....	60
Figure 28: READ STATUS ENHANCED (78h) Operation .....	61
Figure 29: RANDOM DATA READ (05h-E0h) Operation .....	63
Figure 30: RANDOM DATA INPUT (85h) Operation .....	64
Figure 31: PROGRAM FOR INTERNAL DATA INPUT (85h) Operation .....	65
Figure 32: READ PAGE (00h-30h) Operation .....	67
Figure 33: READ PAGE (00h-30h) Operation with Internal ECC Enabled .....	68
Figure 34: READ PAGE CACHE SEQUENTIAL (31h) Operation .....	68
Figure 35: READ PAGE CACHE RANDOM (00h-31h) Operation .....	69
Figure 36: READ PAGE CACHE LAST (3Fh) Operation .....	70
Figure 37: PROGRAM PAGE (80h-10h) Operation .....	72
Figure 38: PROGRAM PAGE CACHE (80h-15h) Operation (Start) .....	73
Figure 39: PROGRAM PAGE CACHE (80h-15h) Operation (End) .....	73
Figure 40: ERASE BLOCK (60h-D0h) Operation .....	74
Figure 41: READ FOR INTERNAL DATA MOVE (00h-35h) Operation .....	75
Figure 42: READ FOR INTERNAL DATA MOVE (00h-35h) with RANDOM DATA READ (05h-E0h) .....	76
Figure 43: INTERNAL DATA MOVE (85h-10h) with Internal ECC Enabled .....	76
Figure 44: INTERNAL DATA MOVE (85h-10h) with RANDOM DATA INPUT with Internal ECC Enabled .....	76
Figure 45: PROGRAM FOR INTERNAL DATA MOVE (85h-10h) Operation .....	77
Figure 46: PROGRAM FOR INTERNAL DATA MOVE (85h-10h) with RANDOM DATA INPUT (85h) .....	77
Figure 47: Flash Array Protected: Invert Area Bit = 0 .....	79
Figure 48: Flash Array Protected: Invert Area Bit = 1 .....	79
Figure 49: UNLOCK Operation .....	80
Figure 50: LOCK Operation .....	81



## 149-Ball NAND Flash with LPDDR4/LPDDR4X MCP Features

Figure 51: LOCK TIGHT Operation .....	82
Figure 52: PROGRAM/ERASE Issued to Locked Block .....	82
Figure 53: BLOCK LOCK READ STATUS .....	83
Figure 54: BLOCK LOCK Flowchart .....	84
Figure 55: Address and Command Cycles .....	85
Figure 56: OTP DATA PROGRAM (After Entering OTP Operation Mode) .....	88
Figure 57: OTP DATA PROGRAM Operation with RANDOM DATA INPUT (After Entering OTP Operation Mode) .....	89
Figure 58: OTP DATA PROTECT Operation (After Entering OTP Protect Mode) .....	90
Figure 59: OTP DATA READ .....	91
Figure 60: OTP DATA READ with RANDOM DATA READ Operation .....	91
Figure 61: RESET Operation .....	104
Figure 62: READ STATUS Cycle .....	104
Figure 63: READ STATUS ENHANCED Cycle .....	105
Figure 64: READ PARAMETER PAGE .....	105
Figure 65: READ PAGE .....	106
Figure 66: READ PAGE Operation with CE# “Don’t Care” .....	107
Figure 67: RANDOM DATA READ .....	107
Figure 68: READ PAGE CACHE SEQUENTIAL .....	108
Figure 69: READ PAGE CACHE RANDOM .....	109
Figure 70: READ ID Operation .....	110
Figure 71: PROGRAM PAGE Operation .....	110
Figure 72: PROGRAM PAGE Operation with CE# “Don’t Care” .....	111
Figure 73: PROGRAM PAGE Operation with RANDOM DATA INPUT .....	111
Figure 74: PROGRAM PAGE CACHE .....	112
Figure 75: PROGRAM PAGE CACHE Ending on 15h .....	112
Figure 76: INTERNAL DATA MOVE .....	113
Figure 77: ERASE BLOCK Operation .....	113
Figure 78: Functional Block Diagram .....	126
Figure 79: Simplified State Diagram .....	129
Figure 80: Simplified State Diagram .....	130
Figure 81: Voltage Ramp and Initialization Sequence .....	132
Figure 82: ACTIVATE Command .....	164
Figure 83: <sup>t</sup> FAW Timing .....	165
Figure 84: DQS Read Preamble and Postamble – Toggling Preamble and 0.5nCK Postamble .....	166
Figure 85: DQS Read Preamble and Postamble – Static Preamble and 1.5nCK Postamble .....	166
Figure 86: DQS Write Preamble and Postamble – 0.5nCK Postamble .....	167
Figure 87: DQS Write Preamble and Postamble – 1.5nCK Postamble .....	168
Figure 88: Burst Read Timing .....	169
Figure 89: Burst Read Followed by Burst Write or Burst Mask Write .....	170
Figure 90: Seamless Burst Read .....	170
Figure 91: Read Timing .....	171
Figure 92: <sup>t</sup> LZ(DQS) Method for Calculating Transitions and Endpoint .....	172
Figure 93: <sup>t</sup> HZ(DQS) Method for Calculating Transitions and Endpoint .....	172
Figure 94: <sup>t</sup> LZ(DQ) Method for Calculating Transitions and Endpoint .....	173
Figure 95: <sup>t</sup> HZ(DQ) Method for Calculating Transitions and Endpoint .....	174
Figure 96: Burst WRITE Operation .....	176
Figure 97: Burst Write Followed by Burst Read .....	177
Figure 98: Write Timing .....	178
Figure 99: Method for Calculating <sup>t</sup> WPRE Transitions and Endpoints .....	179
Figure 100: Method for Calculating <sup>t</sup> WPST Transitions and Endpoints .....	179
Figure 101: MASK WRITE Command – Same Bank .....	180
Figure 102: MASK WRITE Command – Different Bank .....	181





## 149-Ball NAND Flash with LPDDR4/LPDDR4X MCP Features

Figure 103: MASKED WRITE Command with Write DBI Enabled; DM Enabled .....	186
Figure 104: WRITE Command with Write DBI Enabled; DM Disabled .....	187
Figure 105: WDQS Control Mode 1 .....	188
Figure 106: Burst WRITE Operation .....	190
Figure 107: Burst READ Followed by Burst WRITE or Burst MASKED WRITE (ODT Disable) .....	191
Figure 108: Burst READ Followed by Burst WRITE or Burst MASKED WRITE (ODT Enable) .....	192
Figure 109: READ Operations: $t_{\text{CCD}} = \text{MIN}$ , Preamble = Toggle, $1.5n\text{CK}$ Postamble .....	193
Figure 110: Seamless READ: $t_{\text{CCD}} = \text{MIN} + 1$ , Preamble = Toggle, $1.5n\text{CK}$ Postamble .....	194
Figure 111: Consecutive READ: $t_{\text{CCD}} = \text{MIN} + 1$ , Preamble = Toggle, $0.5n\text{CK}$ Postamble .....	194
Figure 112: Consecutive READ: $t_{\text{CCD}} = \text{MIN} + 1$ , Preamble = Static, $1.5n\text{CK}$ Postamble .....	195
Figure 113: Consecutive READ: $t_{\text{CCD}} = \text{MIN} + 1$ , Preamble = Static, $0.5n\text{CK}$ Postamble .....	195
Figure 114: Consecutive READ: $t_{\text{CCD}} = \text{MIN} + 2$ , Preamble = Toggle, $1.5n\text{CK}$ Postamble .....	196
Figure 115: Consecutive READ: $t_{\text{CCD}} = \text{MIN} + 2$ , Preamble = Toggle, $0.5n\text{CK}$ Postamble .....	197
Figure 116: Consecutive READ: $t_{\text{CCD}} = \text{MIN} + 2$ , Preamble = Static, $1.5n\text{CK}$ Postamble .....	197
Figure 117: Consecutive READ: $t_{\text{CCD}} = \text{MIN} + 2$ , Preamble = Static, $0.5n\text{CK}$ Postamble .....	198
Figure 118: Consecutive READ: $t_{\text{CCD}} = \text{MIN} + 3$ , Preamble = Toggle, $1.5n\text{CK}$ Postamble .....	199
Figure 119: Consecutive READ: $t_{\text{CCD}} = \text{MIN} + 3$ , Preamble = Toggle, $0.5n\text{CK}$ Postamble .....	199
Figure 120: Consecutive READ: $t_{\text{CCD}} = \text{MIN} + 3$ , Preamble = Static, $1.5n\text{CK}$ Postamble .....	200
Figure 121: Consecutive READ: $t_{\text{CCD}} = \text{MIN} + 3$ , Preamble = Static, $0.5n\text{CK}$ Postamble .....	200
Figure 122: Seamless WRITE: $t_{\text{CCD}} = \text{MIN}$ , $0.5n\text{CK}$ Postamble .....	201
Figure 123: Seamless WRITE: $t_{\text{CCD}} = \text{MIN}$ , $1.5n\text{CK}$ Postamble, $533 \text{ MHz} < \text{Clock Frequency} \leq 800 \text{ MHz}$ , ODT Worst Timing Case .....	202
Figure 124: Seamless WRITE: $t_{\text{CCD}} = \text{MIN}$ , $1.5n\text{CK}$ Postamble .....	203
Figure 125: Consecutive WRITE: $t_{\text{CCD}} = \text{MIN} + 1$ , $0.5n\text{CK}$ Postamble .....	204
Figure 126: Consecutive WRITE: $t_{\text{CCD}} = \text{MIN} + 1$ , $1.5n\text{CK}$ Postamble .....	204
Figure 127: Consecutive WRITE: $t_{\text{CCD}} = \text{MIN} + 2$ , $0.5n\text{CK}$ Postamble .....	205
Figure 128: Consecutive WRITE: $t_{\text{CCD}} = \text{MIN} + 2$ , $1.5n\text{CK}$ Postamble .....	205
Figure 129: Consecutive WRITE: $t_{\text{CCD}} = \text{MIN} + 3$ , $0.5n\text{CK}$ Postamble .....	206
Figure 130: Consecutive WRITE: $t_{\text{CCD}} = \text{MIN} + 3$ , $1.5n\text{CK}$ Postamble .....	207
Figure 131: Consecutive WRITE: $t_{\text{CCD}} = \text{MIN} + 4$ , $1.5n\text{CK}$ Postamble .....	207
Figure 132: Burst READ Followed by Precharge – BL16, Toggling Preamble, $0.5n\text{CK}$ Postamble .....	209
Figure 133: Burst READ Followed by Precharge – BL32, $2^t\text{CK}$ , $0.5n\text{CK}$ Postamble .....	209
Figure 134: Burst WRITE Followed by PRECHARGE – BL16, $2n\text{CK}$ Preamble, $0.5n\text{CK}$ Postamble .....	210
Figure 135: Burst READ With Auto Precharge – BL16, Non-Toggling Preamble, $0.5n\text{CK}$ Postamble .....	211
Figure 136: Burst READ With Auto Precharge – BL32, Toggling Preamble, $1.5n\text{CK}$ Postamble .....	211
Figure 137: Burst WRITE With Auto Precharge – BL16, $2n\text{CK}$ Preamble, $0.5n\text{CK}$ Postamble .....	212
Figure 138: Command Input Timing with RAS Lock .....	216
Figure 139: Delay Time From WRITE-to-READ with Auto Precharge .....	216
Figure 140: All-Bank REFRESH Operation .....	219
Figure 141: Per Bank REFRESH Operation .....	220
Figure 142: Postponing REFRESH Commands (Example) .....	222
Figure 143: Pulling in REFRESH Commands (Example) .....	222
Figure 144: Burst READ Operation Followed by Per Bank Refresh .....	223
Figure 145: Burst READ With AUTO PRECHARGE Operation Followed by Per Bank Refresh .....	224
Figure 146: Self Refresh Entry/Exit Timing .....	226
Figure 147: Self Refresh Entry/Exit Timing with Power-Down Entry/Exit .....	227
Figure 148: Command Input Timings after Power-Down Exit During Self Refresh .....	228
Figure 149: MRR, MRW, and MPC Commands Issuing Timing During $t_{\text{XSR}}$ .....	229
Figure 150: MRR, MRW, and MPC Commands Issuing Timing During $t_{\text{RFC}}$ .....	230
Figure 151: Basic Power-Down Entry and Exit Timing .....	232
Figure 152: Read and Read with Auto Precharge to Power-Down Entry .....	233
Figure 153: Write and Mask Write to Power-Down Entry .....	234





Figure 154: Write With Auto Precharge and Mask Write With Auto Precharge to Power-Down Entry .....	235
Figure 155: Refresh Entry to Power-Down Entry .....	236
Figure 156: ACTIVATE Command to Power-Down Entry .....	236
Figure 157: PRECHARGE Command to Power-Down Entry .....	237
Figure 158: Mode Register Read to Power-Down Entry .....	238
Figure 159: Mode Register Write to Power-Down Entry .....	239
Figure 160: MULTI PURPOSE Command for ZQCAL Start to Power-Down Entry .....	240
Figure 161: MODE REGISTER READ Operation .....	244
Figure 162: READ-to-MRR Timing .....	245
Figure 163: WRITE-to-MRR Timing .....	246
Figure 164: MRR Following Power-Down .....	247
Figure 165: MODE REGISTER WRITE Timing .....	247
Figure 166: VRCG Enable Timing .....	250
Figure 167: VRCG Disable Timing .....	250
Figure 168: $V_{REF}$ Operating Range ( $V_{REFmax}$ , $V_{REFmin}$ ) .....	251
Figure 169: $V_{REF}$ Set-Point Tolerance and Step Size .....	252
Figure 170: $t_{Vref}$ for Short, Middle, and Long Timing Diagram .....	253
Figure 171: $V_{REF(CA)}$ Single-Step Increment .....	253
Figure 172: $V_{REF(CA)}$ Single-Step Decrement .....	254
Figure 173: $V_{REF(CA)}$ Full Step from $V_{REFmin}$ to $V_{REFmax}$ .....	254
Figure 174: $V_{REF(CA)}$ Full Step from $V_{REFmax}$ to $V_{REFmin}$ .....	254
Figure 175: $V_{REF}$ Operating Range ( $V_{REFmax}$ , $V_{REFmin}$ ) .....	256
Figure 176: $V_{REF}$ Set Tolerance and Step Size .....	257
Figure 177: $V_{REF(DQ)}$ Transition Time for Short, Middle, or Long Changes .....	258
Figure 178: $V_{REF(DQ)}$ Single-Step Size Increment .....	258
Figure 179: $V_{REF(DQ)}$ Single-Step Size Decrement .....	259
Figure 180: $V_{REF(DQ)}$ Full Step from $V_{REFmin}$ to $V_{REFmax}$ .....	259
Figure 181: $V_{REF(DQ)}$ Full Step from $V_{REFmax}$ to $V_{REFmin}$ .....	259
Figure 182: Command Bus Training Mode Entry – CA Training Pattern I/O with $V_{REF(CA)}$ Value Update .....	264
Figure 183: Consecutive $V_{REF(CA)}$ Value Update .....	265
Figure 184: Command Bus Training Mode Exit with Valid Command .....	266
Figure 185: Command Bus Training Mode Exit with Power-Down Entry .....	267
Figure 186: Write Leveling Timing – $t_{DQSL(MAX)}$ .....	269
Figure 187: Write Leveling Timing – $t_{DQSL(MIN)}$ .....	269
Figure 188: Clock Stop and Timing During Write Leveling .....	270
Figure 189: DQS_t/DQS_c to CK_t/CK_c Timings at the Pins Referenced from the Internal Latch .....	271
Figure 190: WRITE-FIFO – $t_{WPRE} = 2nCK$ , $t_{WPST} = 0.5nCK$ .....	273
Figure 191: READ-FIFO – $t_{WPRE} = 2nCK$ , $t_{WPST} = 0.5nCK$ , $t_{RPRE} = \text{Toggling}$ , $t_{RPST} = 1.5nCK$ .....	274
Figure 192: READ-FIFO – $t_{RPRE} = \text{Toggling}$ , $t_{RPST} = 1.5nCK$ .....	275
Figure 193: Read DQ Calibration Training Timing: Read-to-Read DQ Calibration .....	278
Figure 194: Read DQ Calibration Training Timing: Read DQ Calibration to Read DQ Calibration/Read .....	278
Figure 195: MPC[READ DQ CALIBRATION] Following Power-Down State .....	280
Figure 196: WRITE-to-MPC[WRITE-FIFO] Operation Timing .....	282
Figure 197: MPC[WRITE-FIFO]-to-MPC[READ-FIFO] Timing .....	283
Figure 198: MPC[READ-FIFO] to Read Timing .....	284
Figure 199: MPC[WRITE-FIFO] with DQ ODT Timing .....	285
Figure 200: Power-Down Exit to MPC[WRITE-FIFO] Timing .....	286
Figure 201: Interval Oscillator Offset – $OSC_{offset}$ .....	288
Figure 202: In Case of DQS Interval Oscillator is Stopped by MPC Command .....	289
Figure 203: In Case of DQS Interval Oscillator is Stopped by DQS Interval Timer .....	290
Figure 204: Temperature Sensor Timing .....	292
Figure 205: ZQCAL Timing .....	293



## 149-Ball NAND Flash with LPDDR4/LPDDR4X MCP Features

Figure 206: Frequency Set Point Switching Timing .....	297
Figure 207: Training for Two Frequency Set Points .....	299
Figure 208: Example of Switching Between Two Trained Frequency Set Points .....	299
Figure 209: Example of Switching to a Third Trained Frequency Set Point .....	300
Figure 210: ODT for CA .....	301
Figure 211: ODT for CA Setting Update Timing in 4-Clock Cycle Command .....	303
Figure 212: Functional Representation of DQ ODT .....	304
Figure 213: Asynchronous ODTon/ODToff Timing .....	307
Figure 214: Target Row Refresh Mode .....	310
Figure 215: Post-Package Repair Timing .....	312
Figure 216: Read Preamble Training .....	313
Figure 217: Input Timing Definition for CKE .....	316
Figure 218: Input Timing Definition for RESET_n .....	316
Figure 219: CK Differential Input Voltage .....	317
Figure 220: Definition of Differential Clock Peak Voltage .....	318
Figure 221: Clock Single-Ended Input Voltage .....	318
Figure 222: Differential Input Slew Rate Definition for CK_t, CK_c .....	319
Figure 223: $V_{ix}$ Definition (Clock) .....	320
Figure 224: DQS Differential Input Voltage .....	321
Figure 225: Definition of Differential DQS Peak Voltage .....	322
Figure 226: DQS Single-Ended Input Voltage .....	322
Figure 227: Differential Input Slew Rate Definition for DQS_t, DQS_c .....	323
Figure 228: $V_{ix}$ Definition (DQS) .....	324
Figure 229: Single-Ended Output Slew Rate Definition .....	326
Figure 230: Differential Output Slew Rate Definition .....	326
Figure 231: Overshoot and Undershoot Definition .....	327
Figure 232: Driver Output Timing Reference Load .....	328
Figure 233: LVSTL I/O Cell .....	328
Figure 234: Pull-Up Calibration .....	329
Figure 235: $t_{CMDCKE}$ Timing .....	352
Figure 236: $t_{ESCKE}$ Timing .....	355
Figure 237: CA Receiver (Rx) Mask .....	358
Figure 238: Across Pin $V_{REF(CA)}$ Voltage Variation .....	358
Figure 239: CA Timings at the DRAM Pins .....	359
Figure 240: CA $t_{cIPW}$ and $SRIN_{cIVW}$ Definition (for Each Input Pulse) .....	359
Figure 241: CA $V_{IHL(AC)}$ Definition (for Each Input Pulse) .....	359
Figure 242: Read Data Timing Definitions – $t_{QH}$ and $t_{DQSQ}$ Across DQ Signals per DQS Group .....	361
Figure 243: DQ Receiver (Rx) Mask .....	362
Figure 244: Across Pin $V_{REF}$ DQ Voltage Variation .....	362
Figure 245: DQ-to-DQS $t_{DQS2DQ}$ and $t_{DQDQ}$ .....	363
Figure 246: DQ $t_{DIPW}$ and $SRIN_{dIVW}$ Definition for Each Input Pulse .....	364
Figure 247: DQ $V_{IHL(AC)}$ Definition (for Each Input Pulse) .....	364
Figure 248: $t_{LZ(DQS)}$ Method for Calculating Transitions and Endpoint .....	379
Figure 249: $t_{HZ(DQS)}$ Method for Calculating Transitions and Endpoint .....	380
Figure 250: $t_{LZ(DQ)}$ Method for Calculating Transitions and Endpoint .....	381
Figure 251: $t_{HZ(DQ)}$ Method for Calculating Transitions and Endpoint .....	381
Figure 252: ODT for CA .....	387
Figure 253: Functional Representation of DQ ODT .....	390
Figure 254: Single-Ended Output Slew Rate Definition .....	394
Figure 255: Differential Output Slew Rate Definition .....	395
Figure 256: LVSTL I/O Cell .....	395
Figure 257: Pull-Up Calibration .....	396



## List of Tables

Table 1: Key Timing Parameters .....	1
Table 2: Configuration Addressing .....	2
Table 3: Part Number References .....	2
Table 4: x8 NAND Ball Descriptions .....	24
Table 5: x16 LPDDR Ball Descriptions .....	24
Table 6: Non-Device-Specific Descriptions .....	25
Table 7: Array Addressing (x8) .....	31
Table 8: Array Addressing (x8) .....	32
Table 9: Array Addressing (x16) .....	33
Table 10: Asynchronous Interface Mode Selection .....	34
Table 11: Power Cycle Requirements .....	44
Table 12: Command Set .....	45
Table 13: READ ID Parameters for Address 00h .....	49
Table 14: READ ID Parameters for Address 20h .....	50
Table 15: Parameter Page Data Structure .....	52
Table 16: Feature Address Definitions .....	55
Table 17: Feature Addresses 90h: Timing Mode .....	55
Table 18: Feature Addresses 01h: Timing Mode .....	57
Table 19: Feature Addresses 80h: Programmable I/O Drive Strength .....	57
Table 20: Feature Addresses 81h: Programmable R/B# Pull-Down Strength .....	58
Table 21: Status Register Definition .....	59
Table 22: Block Lock Address Cycle Assignments .....	79
Table 23: Block Lock Status Register Bit Definitions .....	82
Table 24: Spare Area Mapping (x8) .....	92
Table 25: Spare Area Mapping (x16) .....	93
Table 26: ECC Status .....	94
Table 27: Error Management Details .....	95
Table 28: Absolute Maximum Ratings .....	96
Table 29: Recommended Operating Conditions .....	96
Table 30: Capacitance .....	96
Table 31: Test Conditions .....	96
Table 32: DC Characteristics and Operating Conditions (3.3V) .....	98
Table 33: DC Characteristics and Operating Conditions (1.8V) .....	99
Table 34: AC Characteristics: Command, Data, and Address Input (3.3V) .....	100
Table 35: AC Characteristics: Command, Data, and Address Input (1.8V) .....	100
Table 36: AC Characteristics: Normal Operation (3.3V) .....	101
Table 37: AC Characteristics: Normal Operation (1.8V) .....	102
Table 38: Program/Erase Characteristics .....	103
Table 39: Key Timing Parameters .....	114
Table 40: Mode Register Contents .....	116
Table 41: LPDDR4 I <sub>DD</sub> Specifications under 3733 Mb/s – Single Die .....	117
Table 42: LPDDR4 I <sub>DD</sub> Specifications under 4266 Mb/s – Single Die .....	118
Table 43: LPDDR4 I <sub>DD6</sub> Full-Array Self Refresh Current .....	120
Table 44: LPDDR4X I <sub>DD</sub> Specifications under 3733 Mb/s – Single Die .....	121
Table 45: LPDDR4X I <sub>DD</sub> Specifications under 4266 Mb/s – Single Die .....	122
Table 46: LPDDR4X I <sub>DD6</sub> Full-Array Self Refresh Current .....	124
Table 47: Monolithic Device Addressing – Dual-Channel Die .....	127
Table 48: Monolithic Device Addressing – Single-Channel Die .....	128
Table 49: Mode Register Default Settings .....	131
Table 50: Voltage Ramp Conditions .....	131



## 149-Ball NAND Flash with LPDDR4/LPDDR4X MCP Features

Table 51: Initialization Timing Parameters .....	133
Table 52: Reset Timing Parameter .....	134
Table 53: Power Supply Conditions .....	134
Table 54: Power-Off Timing .....	135
Table 55: Mode Register Assignments .....	135
Table 56: MR0 Device Feature 0 (MA[5:0] = 00h) .....	136
Table 57: MR0 Op-Code Bit Definitions .....	136
Table 58: MR1 Device Feature 1 (MA[5:0] = 01h) .....	137
Table 59: MR1 Op-Code Bit Definitions .....	137
Table 60: Burst Sequence for Read .....	139
Table 61: Burst Sequence for Write .....	139
Table 62: MR2 Device Feature 2 (MA[5:0] = 02h) .....	140
Table 63: MR2 Op-Code Bit Definitions .....	140
Table 64: Frequency Ranges for RL, WL, <i>n</i> WR, and <i>n</i> RTP Settings .....	142
Table 65: MR3 I/O Configuration 1 (MA[5:0] = 03h) .....	142
Table 66: MR3 Op-Code Bit Definitions .....	143
Table 67: MR4 Device Temperature (MA[5:0] = 04h) .....	144
Table 68: MR4 Op-Code Bit Definitions .....	144
Table 69: MR5 Basic Configuration 1 (MA[5:0] = 05h) .....	145
Table 70: MR5 Op-Code Bit Definitions .....	145
Table 71: MR6 Basic Configuration 2 (MA[5:0] = 06h) .....	145
Table 72: MR6 Op-Code Bit Definitions .....	145
Table 73: MR7 Basic Configuration 3 (MA[5:0] = 07h) .....	145
Table 74: MR7 Op-Code Bit Definitions .....	145
Table 75: MR8 Basic Configuration 4 (MA[5:0] = 08h) .....	146
Table 76: MR8 Op-Code Bit Definitions .....	146
Table 77: MR9 Test Mode (MA[5:0] = 09h) .....	146
Table 78: MR9 Op-Code Definitions .....	146
Table 79: MR10 Calibration (MA[5:0] = 0Ah) .....	146
Table 80: MR10 Op-Code Bit Definitions .....	147
Table 81: MR11 ODT Control (MA[5:0] = 0Bh) .....	147
Table 82: MR11 Op-Code Bit Definitions .....	147
Table 83: MR12 Register Information (MA[5:0] = 0Ch) .....	148
Table 84: MR12 Op-Code Bit Definitions .....	148
Table 85: MR13 Register Control (MA[5:0] = 0Dh) .....	148
Table 86: MR13 Op-Code Bit Definition .....	149
Table 87: Mode Register 14 (MA[5:0] = 0Eh) .....	150
Table 88: MR14 Op-Code Bit Definition .....	150
Table 89: $V_{REF}$ Setting for Range[0] and Range[1] .....	151
Table 90: MR15 Register Information (MA[5:0] = 0Fh) .....	152
Table 91: MR15 Op-code Bit Definition .....	152
Table 92: MR15 Invert Register Pin Mapping .....	152
Table 93: MR16 PASR Bank Mask (MA[5:0] = 010h) .....	152
Table 94: MR16 Op-Code Bit Definitions .....	152
Table 95: MR17 PASR Segment Mask (MA[5:0] = 11h) .....	153
Table 96: MR17 PASR Segment Mask Definitions .....	153
Table 97: MR17 PASR Segment Mask .....	153
Table 98: MR18 Register Information (MA[5:0] = 12h) .....	154
Table 99: MR18 LSB DQS Oscillator Count .....	154
Table 100: MR19 Register Information (MA[5:0] = 13h) .....	154
Table 101: MR19 DQS Oscillator Count .....	154
Table 102: MR20 Register Information (MA[5:0] = 14h) .....	154



## 149-Ball NAND Flash with LPDDR4/LPDDR4X MCP Features

Table 103: MR20 Register Information .....	155
Table 104: MR20 Invert Register Pin Mapping .....	155
Table 105: MR21 Register Information (MA[5:0] = 15h) .....	155
Table 106: MR22 Register Information (MA[5:0] = 16h) .....	155
Table 107: MR22 Register Information .....	156
Table 108: MR23 Register Information (MA[5:0] = 17h) .....	156
Table 109: MR23 Register Information .....	157
Table 110: MR24 Register Information (MA[5:0] = 18h) .....	157
Table 111: MR24 Register Information .....	157
Table 112: MR25 Register Information (MA[5:0] = 19h) .....	158
Table 113: MR25 Register Information .....	158
Table 114: MR26:29 Register Information (MA[5:0] = 1Ah–1Dh) .....	158
Table 115: MR30 Register Information (MA[5:0] = 1Eh) .....	159
Table 116: MR30 Register Information .....	159
Table 117: MR31 Register Information (MA[5:0] = 1Fh) .....	159
Table 118: MR32 Register Information (MA[5:0] = 20h) .....	159
Table 119: MR32 Register Information .....	159
Table 120: MR33:38 Register Information (MA[5:0] = 21h–26h) .....	160
Table 121: MR39 Register Information (MA[5:0] = 27h) .....	160
Table 122: MR39 Register Information .....	160
Table 123: MR40 Register Information (MA[5:0] = 28h) .....	160
Table 124: MR40 Register Information .....	160
Table 125: MR41:47 Register Information (MA[5:0] = 29h–2Fh) .....	161
Table 126: MR48:63 Register Information (MA[5:0] = 30h–3Fh) .....	161
Table 127: Command Truth Table .....	161
Table 128: Reference Voltage for <sup>t</sup> LZ(DQS), <sup>t</sup> HZ(DQS) Timing Measurements .....	173
Table 129: Reference Voltage for <sup>t</sup> LZ(DQ), <sup>t</sup> HZ(DQ) Timing Measurements .....	174
Table 130: Method for Calculating <sup>t</sup> WPRE Transitions and Endpoints .....	179
Table 131: Reference Voltage for <sup>t</sup> WPST Timing Measurements .....	180
Table 132: Same Bank (ODT Disabled) .....	182
Table 133: Different Bank (ODT Disabled) .....	182
Table 134: Same Bank (ODT Enabled) .....	183
Table 135: Different Bank (ODT Enabled) .....	183
Table 136: Function Behavior of DMI Signal During WRITE, MASKED WRITE, and READ Operations .....	184
Table 137: WDQS_On/WDQS_Off Definition .....	189
Table 138: WDQS_On/WDQS_Off Allowable Variation Range .....	189
Table 139: DQS Turn-Around Parameter .....	190
Table 140: Precharge Bank Selection .....	208
Table 141: Timing Between Commands (PRECHARGE and AUTO PRECHARGE): DQ ODT is Disable .....	212
Table 142: Timing Between Commands (PRECHARGE and AUTO PRECHARGE): DQ ODT is Enable .....	215
Table 143: Bank and Refresh Counter Increment Behavior .....	217
Table 144: REFRESH Command Timing Constraints .....	219
Table 145: Legacy REFRESH Command Timing Constraints .....	221
Table 146: Modified REFRESH Command Timing Constraints .....	221
Table 147: Refresh Requirement Parameters .....	224
Table 148: MRR .....	243
Table 149: Truth Table for MRR and MRW .....	248
Table 150: MRR/MRW Timing Constraints: DQ ODT is Disable .....	248
Table 151: MRR/MRW Timing Constraints: DQ ODT is Enable .....	249
Table 152: VRCG Enable/Disable Timing .....	250
Table 153: Internal V <sub>REF(CA)</sub> Specifications .....	255
Table 154: Internal V <sub>REF(DQ)</sub> Specifications .....	260





## 149-Ball NAND Flash with LPDDR4/LPDDR4X MCP Features

Table 155: Mapping MR12 Op Code and DQ Numbers .....	262
Table 156: Mapping CA Input Pin and DQ Output Pin .....	264
Table 157: Write Leveling Timing Parameters .....	270
Table 158: Write Leveling Setup and Hold Timing .....	270
Table 159: MPC Command Definition .....	272
Table 160: MPC Commands .....	273
Table 161: Timing Constraints for Training Commands .....	275
Table 162: Invert Mask Assignments .....	277
Table 163: Read DQ Calibration Bit Ordering and Inversion Example .....	279
Table 164: MR Setting vs. DMI Status .....	280
Table 165: MPC[WRITE-FIFO] AC Timing .....	286
Table 166: DQS Oscillator Matching Error Specification .....	288
Table 167: DQS Interval Oscillator AC Timing .....	290
Table 168: Temperature Sensor .....	292
Table 169: ZQ Calibration Parameters .....	293
Table 170: Mode Register Function With Two Physical Registers .....	295
Table 171: Relation Between MR Setting and DRAM Operation .....	296
Table 172: Frequency Set Point AC Timing .....	297
Table 173: <sup>4</sup> FC Value Mapping .....	297
Table 174: <sup>4</sup> FC Value Mapping: Example .....	298
Table 175: Pull-Down Driver Characteristics – ZQ Calibration .....	300
Table 176: Pull-Up Characteristics – ZQ Calibration .....	300
Table 177: Valid Calibration Points .....	300
Table 178: Command Bus ODT State .....	302
Table 179: ODT DC Electrical Characteristics for Command/Address Bus .....	302
Table 180: ODT DC Electrical Characteristics for DQ Bus .....	304
Table 181: Output Driver and Termination Register Sensitivity Definition .....	305
Table 182: Output Driver and Termination Register Temperature and Voltage Sensitivity .....	305
Table 183: ODTL <sub>ON</sub> and ODTL <sub>OFF</sub> Latency Values .....	307
Table 184: Termination State in Write Leveling Mode .....	308
Table 185: Post-Package Repair Timing Parameters .....	312
Table 186: Absolute Maximum DC Ratings .....	314
Table 187: Recommended DC Operating Conditions .....	314
Table 188: Input Leakage Current .....	314
Table 189: Input/Output Leakage Current .....	315
Table 190: Operating Temperature Range .....	315
Table 191: Input Levels .....	316
Table 192: Input Levels .....	316
Table 193: CK Differential Input Voltage .....	317
Table 194: Clock Single-Ended Input Voltage .....	319
Table 195: Differential Input Slew Rate Definition for CK <sub>t</sub> , CK <sub>c</sub> .....	319
Table 196: Differential Input Level for CK <sub>t</sub> , CK <sub>c</sub> .....	320
Table 197: Differential Input Slew Rate for CK <sub>t</sub> , CK <sub>c</sub> .....	320
Table 198: Cross-Point Voltage for Differential Input Signals (Clock) .....	321
Table 199: DQS Differential Input Voltage .....	321
Table 200: DQS Single-Ended Input Voltage .....	323
Table 201: Differential Input Slew Rate Definition for DQS <sub>t</sub> , DQS <sub>c</sub> .....	323
Table 202: Differential Input Level for DQS <sub>t</sub> , DQS <sub>c</sub> .....	324
Table 203: Differential Input Slew Rate for DQS <sub>t</sub> , DQS <sub>c</sub> .....	324
Table 204: Cross-Point Voltage for Differential Input Signals (DQS) .....	325
Table 205: Input Levels for ODT <sub>CA</sub> .....	325
Table 206: Single-Ended Output Slew Rate .....	325



## 149-Ball NAND Flash with LPDDR4/LPDDR4X MCP Features

Table 207: Differential Output Slew Rate .....	326
Table 208: AC Overshoot/Undershoot Specifications .....	327
Table 209: Overshoot/Undershoot Specification for CKE and RESET .....	327
Table 210: Input/Output Capacitance .....	329
Table 211: I <sub>DD</sub> Measurement Conditions .....	330
Table 212: CA Pattern for I <sub>DD4R</sub> for BL = 16 .....	330
Table 213: CA Pattern for I <sub>DD4W</sub> for BL = 16 .....	331
Table 214: Data Pattern for I <sub>DD4W</sub> (DBI Off) for BL = 16 .....	331
Table 215: Data Pattern for I <sub>DD4R</sub> (DBI Off) for BL = 16 .....	332
Table 216: Data Pattern for I <sub>DD4W</sub> (DBI On) for BL = 16 .....	334
Table 217: Data Pattern for I <sub>DD4R</sub> (DBI On) for BL = 16 .....	335
Table 218: CA Pattern for I <sub>DD4R</sub> for BL = 32 .....	336
Table 219: CA Pattern for I <sub>DD4W</sub> for BL = 32 .....	337
Table 220: Data Pattern for I <sub>DD4W</sub> (DBI Off) for BL = 32 .....	338
Table 221: Data Pattern for I <sub>DD4R</sub> (DBI Off) for BL = 32 .....	339
Table 222: Data Pattern for I <sub>DD4W</sub> (DBI On) for BL = 32 .....	341
Table 223: Data Pattern for I <sub>DD4R</sub> (DBI On) for BL = 32 .....	343
Table 224: I <sub>DD</sub> Specification Parameters and Operating Conditions .....	346
Table 225: Clock Timing .....	348
Table 226: Read Output Timing .....	348
Table 227: Write Timing .....	350
Table 228: CKE Input Timing .....	351
Table 229: Command Address Input Timing .....	352
Table 230: Boot Timing Parameters (10–55 MHz) .....	353
Table 231: Mode Register Timing Parameters .....	353
Table 232: Core Timing Parameters .....	353
Table 233: CA Bus ODT Timing .....	355
Table 234: CA Bus Training Parameters .....	355
Table 235: Asynchronous ODT Turn On and Turn Off Timing .....	356
Table 236: Temperature Derating Parameters .....	356
Table 237: DRAM CMD/ADR, CS .....	360
Table 238: DQs In Receive Mode .....	364
Table 239: Definitions and Calculations .....	365
Table 240: <sup>t</sup> CK(abs), <sup>t</sup> CH(abs), and <sup>t</sup> CL(abs) Definitions .....	366
Table 241: Mode Register Default Settings .....	369
Table 242: Mode Register Assignments .....	370
Table 243: MR0 Device Feature 0 (MA[5:0] = 00h) .....	371
Table 244: MR0 Op-Code Bit Definitions .....	371
Table 245: MR3 I/O Configuration 1 (MA[5:0] = 03h) .....	372
Table 246: MR3 Op-Code Bit Definitions .....	373
Table 247: MR12 Register Information (MA[5:0] = 0Ch) .....	374
Table 248: MR12 Op-Code Bit Definitions .....	374
Table 249: Mode Register 14 (MA[5:0] = 0Eh) .....	374
Table 250: MR14 Op-Code Bit Definition .....	375
Table 251: V <sub>REF</sub> Setting for Range[0] and Range[1] .....	376
Table 252: MR22 Register Information (MA[5:0] = 16h) .....	377
Table 253: MR22 Register Information .....	377
Table 254: Reference Voltage for <sup>t</sup> LZ(DQS), <sup>t</sup> HZ(DQS) Timing Measurements .....	380
Table 255: Reference Voltage for <sup>t</sup> LZ(DQ), <sup>t</sup> HZ(DQ) Timing Measurements .....	382
Table 256: Internal V <sub>REF(CA)</sub> Specifications .....	383
Table 257: Internal V <sub>REF(DQ)</sub> Specifications .....	384
Table 258: Pull-Down Driver Characteristics – ZQ Calibration .....	386



**149-Ball NAND Flash with LPDDR4/LPDDR4X MCP Features**

Table 259: Pull-Up Characteristics – ZQ Calibration .....	386
Table 260: Terminated Valid Calibration Points .....	386
Table 261: Command Bus ODT State .....	387
Table 262: ODT DC Electrical Characteristics for Command/Address Bus – up to 3200 Mb/s .....	388
Table 263: ODT DC Electrical Characteristics for Command/Address Bus – Beyond 3200 Mb/s .....	389
Table 264: ODT DC Electrical Characteristics for DQ Bus– up to 3200 Mb/s .....	390
Table 265: ODT DC Electrical Characteristics for DQ Bus – Beyond 3200 Mb/s .....	391
Table 266: Output Driver and Termination Register Sensitivity Definition .....	392
Table 267: Output Driver and Termination Register Temperature and Voltage Sensitivity .....	392
Table 268: Recommended DC Operating Conditions .....	393
Table 269: Single-Ended Output Slew Rate .....	393
Table 270: Differential Output Slew Rate .....	394





## Important Notes and Warnings

Micron Technology, Inc. ("Micron") reserves the right to make changes to information published in this document, including without limitation specifications and product descriptions. This document supersedes and replaces all information supplied prior to the publication hereof. You may not rely on any information set forth in this document if you obtain the product described herein from any unauthorized distributor or other source not authorized by Micron.

**Automotive Applications.** Products are not designed or intended for use in automotive applications unless specifically designated by Micron as automotive-grade by their respective data sheets. Distributor and customer/distributor shall assume the sole risk and liability for and shall indemnify and hold Micron harmless against all claims, costs, damages, and expenses and reasonable attorneys' fees arising out of, directly or indirectly, any claim of product liability, personal injury, death, or property damage resulting directly or indirectly from any use of non-automotive-grade products in automotive applications. Customer/distributor shall ensure that the terms and conditions of sale between customer/distributor and any customer of distributor/customer (1) state that Micron products are not designed or intended for use in automotive applications unless specifically designated by Micron as automotive-grade by their respective data sheets and (2) require such customer of distributor/customer to indemnify and hold Micron harmless against all claims, costs, damages, and expenses and reasonable attorneys' fees arising out of, directly or indirectly, any claim of product liability, personal injury, death, or property damage resulting from any use of non-automotive-grade products in automotive applications.

**Critical Applications.** Products are not authorized for use in applications in which failure of the Micron component could result, directly or indirectly in death, personal injury, or severe property or environmental damage ("Critical Applications"). Customer must protect against death, personal injury, and severe property and environmental damage by incorporating safety design measures into customer's applications to ensure that failure of the Micron component will not result in such harms. Should customer or distributor purchase, use, or sell any Micron component for any critical application, customer and distributor shall indemnify and hold harmless Micron and its subsidiaries, subcontractors, and affiliates and the directors, officers, and employees of each against all claims, costs, damages, and expenses and reasonable attorneys' fees arising out of, directly or indirectly, any claim of product liability, personal injury, or death arising in any way out of such critical application, whether or not Micron or its subsidiaries, subcontractors, or affiliates were negligent in the design, manufacture, or warning of the Micron product.

**Customer Responsibility.** Customers are responsible for the design, manufacture, and operation of their systems, applications, and products using Micron products. ALL SEMICONDUCTOR PRODUCTS HAVE INHERENT FAILURE RATES AND LIMITED USEFUL LIVES. IT IS THE CUSTOMER'S SOLE RESPONSIBILITY TO DETERMINE WHETHER THE MICRON PRODUCT IS SUITABLE AND FIT FOR THE CUSTOMER'S SYSTEM, APPLICATION, OR PRODUCT. Customers must ensure that adequate design, manufacturing, and operating safeguards are included in customer's applications and products to eliminate the risk that personal injury, death, or severe property or environmental damages will result from failure of any semiconductor component.

**Limited Warranty.** In no event shall Micron be liable for any indirect, incidental, punitive, special or consequential damages (including without limitation lost profits, lost savings, business interruption, costs related to the removal or replacement of any products or rework charges) whether or not such damages are based on tort, warranty, breach of contract or other legal theory, unless explicitly stated in a written agreement executed by Micron's duly authorized representative.



## MCP General Description

Micron MCP products combine NAND Flash and Mobile LPDRAM devices in a single MCP. These products target mobile applications with low-power, high-performance, and minimal package-footprint design requirements. The NAND Flash and Mobile LPDRAM devices are also members of the Micron discrete memory products portfolio.

The NAND Flash and Mobile LPDRAM devices are packaged with separate interfaces (no shared address, control, data, or power balls). This bus architecture supports an optimized interface to processors with separate NAND Flash and Mobile LPDRAM buses. The NAND Flash and Mobile LPDRAM devices have separate core power connections and share a common ground (that is,  $V_{SS}$  is tied together on the two devices).

The bus architecture of this device also supports separate NAND Flash and Mobile LPDRAM functionality without concern for device interaction.



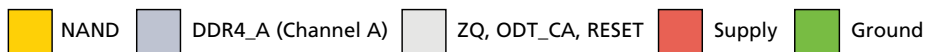
# 149-Ball NAND Flash with LPDDR4/LPDDR4X MCP Ball Assignments and Descriptions

## Ball Assignments and Descriptions

Figure 3: 149-Ball WFBGA (x16 LPDDR) Ball Assignments

	1	2	3	4	5	6	7	8	9	10	11	12	13	14
A	DNU	DNU											DNU	DNU
B	DNU	NC	NC	NC	NC	NC	NC			NC	NC	V <sub>CC</sub>	NC	DNU
C	NC	NC	NC	WP#	R/B#	V <sub>SSm</sub>	WE#			V <sub>SSm</sub>	IO7	IO6	V <sub>CC</sub>	NC
D	NC	NC	NC	NC	CE#	V <sub>SSm</sub>	RE#			ALE	V <sub>SSm</sub>	V <sub>SSm</sub>	IO1	IO4
E					V <sub>DD2</sub>	V <sub>DD2</sub>	V <sub>DD2</sub>			V <sub>SSm</sub>	IO2	IO5	V <sub>CC</sub>	V <sub>CC</sub>
F	DQ10	V <sub>DD2</sub>	DQ8	DQ9	V <sub>SS</sub>	V <sub>SS</sub>	DQS1_t			CLE	V <sub>SSm</sub>	V <sub>SSm</sub>	IO3	IO0
G	DQ11	V <sub>DDQ</sub>	V <sub>DDQ</sub>	V <sub>SS</sub>	DQ12	V <sub>DDQ</sub>	DQS1_c				ODT_ca	NC	NC	NC
H	DMI1	V <sub>SS</sub>	V <sub>DDQ</sub>	DQ14	V <sub>SS</sub>	DQ15	V <sub>DDQ</sub>				V <sub>SS</sub>	NC	V <sub>SS</sub>	CLK_t
J	DQ13	V <sub>SS</sub>	V <sub>SS</sub>	V <sub>SS</sub>	V <sub>DD2</sub>	V <sub>DD2</sub>	V <sub>DD2</sub>				V <sub>SS</sub>	CA0	V <sub>SS</sub>	CLK_c
K											CA1	V <sub>SS</sub>	RFU	RFU
L											CA4	V <sub>SS</sub>	CS0	CKE0
M	DQ3	V <sub>SS</sub>	DMI0	V <sub>SS</sub>	DQ6	V <sub>SS</sub>	DQS0_c				CA3	V <sub>SS</sub>	V <sub>SS</sub>	RESET_n
N	DQ2	V <sub>SS</sub>	V <sub>SS</sub>	DQ5	V <sub>SS</sub>	DQ7	DQS0_t				CA2	V <sub>SS</sub>	CA5	RFU
P	DQ1	DQ0	V <sub>DDQ</sub>	V <sub>SS</sub>	DQ4	V <sub>SS</sub>	V <sub>DD2</sub>				V <sub>DD2</sub>	V <sub>DD2</sub>	V <sub>DD1</sub>	ZQ0
R	DNU	V <sub>DD1</sub>	V <sub>DD2</sub>	V <sub>DDQ</sub>	V <sub>DDQ</sub>	V <sub>DD2</sub>	V <sub>DD1</sub>				V <sub>DDQ</sub>	V <sub>DDQ</sub>	V <sub>DD1</sub>	DNU
T	DNU	DNU											DNU	DNU

Top View (ball down)





## 149-Ball NAND Flash with LPDDR4/LPDDR4X MCP Ball Assignments and Descriptions

**Table 4: x8 NAND Ball Descriptions**

Symbol	Type	Description
ALE	Input	<b>Address latch enable:</b> When ALE is HIGH, addresses can be transferred to the on-chip address register.
CE#	Input	<b>Chip enable:</b> Gates transfers between the host system and the NAND device.
CLE	Input	<b>Command latch enable:</b> When CLE is HIGH, commands can be transferred to the on-chip command register.
RE#	Input	<b>Read enable:</b> Gates information from the NAND device to the host system.
WE#	Input	<b>Write enable:</b> Gates information from the host system to the NAND device.
WP#	Input	<b>Write protect:</b> Driving WP# LOW blocks ERASE and PROGRAM operations.
I/O[7:0] (x8)	Input/output	<b>Data inputs/outputs:</b> The bidirectional I/Os transfer address, data, and instruction information. Data is output only during READ operations; at other times the I/Os are inputs. for NAND x8 devices.
R/B#	Output	<b>Ready/busy:</b> Open-drain, active-LOW output that indicates when an internal operation is in progress.
V <sub>CC</sub>	Supply	<b>V<sub>CC</sub>:</b> NAND power supply.

Note: 1. Balls marked RFU may or may not be connected internally. These balls should not be used. Contact factory for details.

**Table 5: x16 LPDDR Ball Descriptions**

Symbol	Type	Description
CK <sub>t</sub> , CK <sub>c</sub>	Input	<b>Clock:</b> CK <sub>t</sub> and CK <sub>c</sub> are differential clock inputs. All address, command and control input signals are sampled on positive edge of CK <sub>t</sub> and the negative edge of CK <sub>c</sub> . AC timings for CA parameters are referenced to clock. Each channel (A, B, C, and D) has its own clock pair.
CKE0, CKE1	Input	<b>Clock enable:</b> CKE HIGH activates and CKE LOW deactivates the internal clock signals, input buffers, and output drivers. Power-saving modes are entered and exited via CKE transitions. CKE is sampled at the rising edge of CK.
CS0, CS1	Input	<b>Chip select:</b> Each channel (A, B, C, and D) has its own CS signals.
CA[5:0]	Input	<b>Command/address inputs:</b> Provide the command and address inputs according to the command truth table. Each channel (A, B, C, and D) has its own CA signals.
ODT <sub>ca</sub>	Input	<b>CA ODT control:</b> The ODT <sub>CA</sub> pin is ignored by LPDDR4X devices. CA ODT is fully controlled through MR11 and MR22. The ODT <sub>CA</sub> pin shall be connected to a valid logic level.
DQ0[15:0]	I/O	<b>Data input/output:</b> Bidirectional data bus.
DQS0 <sub>t</sub> , DQS0 <sub>c</sub> , DQS1 <sub>t</sub> , DQS1 <sub>c</sub>	I/O	<b>Data strobe:</b> DQS <sub>t</sub> and DQS <sub>c</sub> are bi-directional differential output clock signals used to strobe data during a READ or WRITE. The data strobe is generated by the DRAM for a READ and is edge-aligned with data. The data strobe is generated by the SoC memory controller for a WRITE and is trained to precede data. Each byte of data has a data strobe signal pair. Each channel (A, B, C, and D) has its own DQS <sub>t</sub> and DQS <sub>c</sub> strobes.



## 149-Ball NAND Flash with LPDDR4/LPDDR4X MCP Ball Assignments and Descriptions

**Table 5: x16 LPDDR Ball Descriptions (Continued)**

Symbol	Type	Description
DMI[1:0]	I/O	<b>Data mask/Data bus inversion:</b> DMI is a dual use bi-directional signal used to indicate data to be masked, and data which is inverted on the bus. For data bus inversion (DBI), the DMI signal is driven HIGH when the data on the data bus is inverted, or driven LOW when the data is in its normal state. DBI can be disabled via a mode register setting. For data mask, the DMI signal is used in combination with the data lines to indicate data to be masked in a MASK WRITE command (see the Data Mask (DM) and Data Bus Inversion (DBI) sections for details). The data mask function can be disabled via a mode register setting. Each byte of data has a DMI signal. Each channel has its own DMI signals.
ZQ0, ZQ1	Reference	<b>ZQ calibration reference:</b> Used to calibrate the output drive strength and the termination resistance. The ZQ pin shall be connected to $V_{DDQ}$ through a $240\Omega \pm 1\%$ resistor.
$V_{DD1}$ , $V_{DD2}$ , $V_{DDQ}$	Supply	<b>Power supplies:</b> Isolated on the die for improved noise immunity.
$V_{SS}$	Supply	<b>Ground reference:</b> Power supply ground reference.
RESET_n	Input	<b>RESET:</b> When asserted LOW, the RESET pin resets all channels of the die.
NC	–	<b>No connect:</b> Not internally connected.

Note: 1. Balls marked RFU may or may not be connected internally. These balls should not be used. Contact factory for details.

**Table 6: Non-Device-Specific Descriptions**

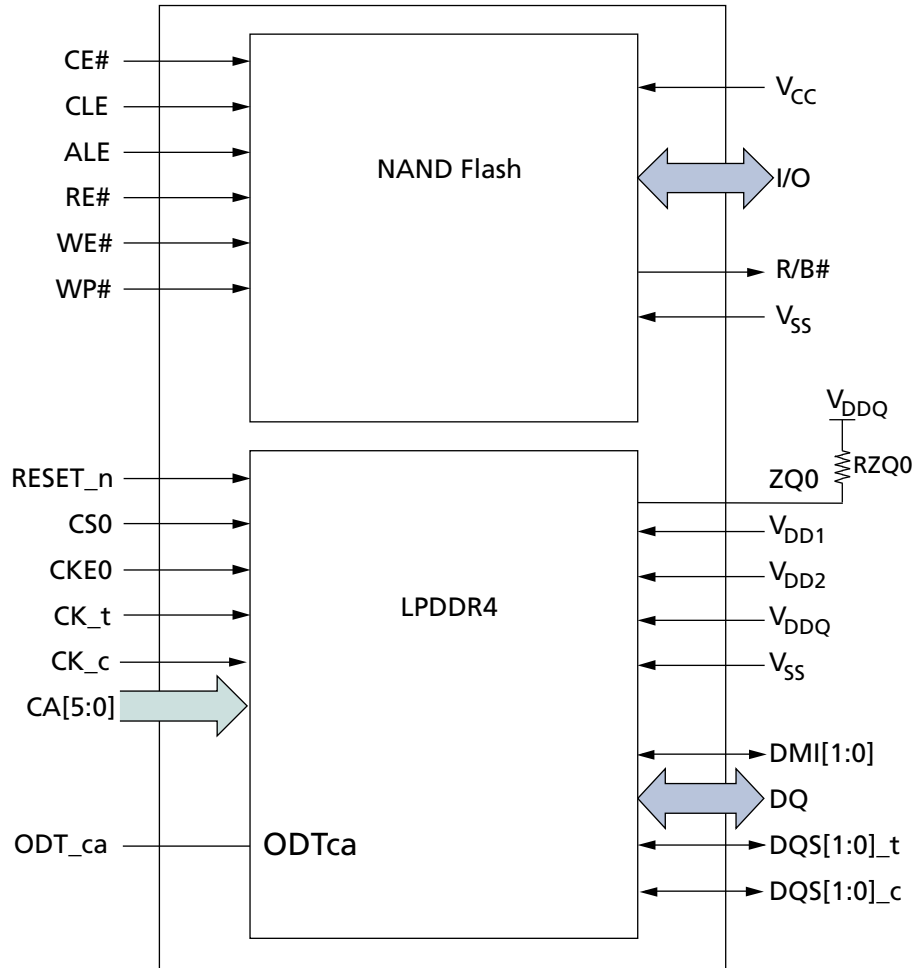
Symbol	Type	Description
$V_{SS}$	Supply	<b><math>V_{SS}</math>:</b> Shared ground.
Symbol	Type	Description
DNU	–	<b>Do not use:</b> Must be grounded or left floating.
NC	–	<b>No connect:</b> Not internally connected.
RFU <sup>1</sup>	–	Reserved for future use.

Note: 1. Balls marked RFU may or may not be connected internally. These balls should not be used. Contact factory for details.



## Device Diagrams

Figure 4: 149-Ball Functional Block Diagram (LPDDR)

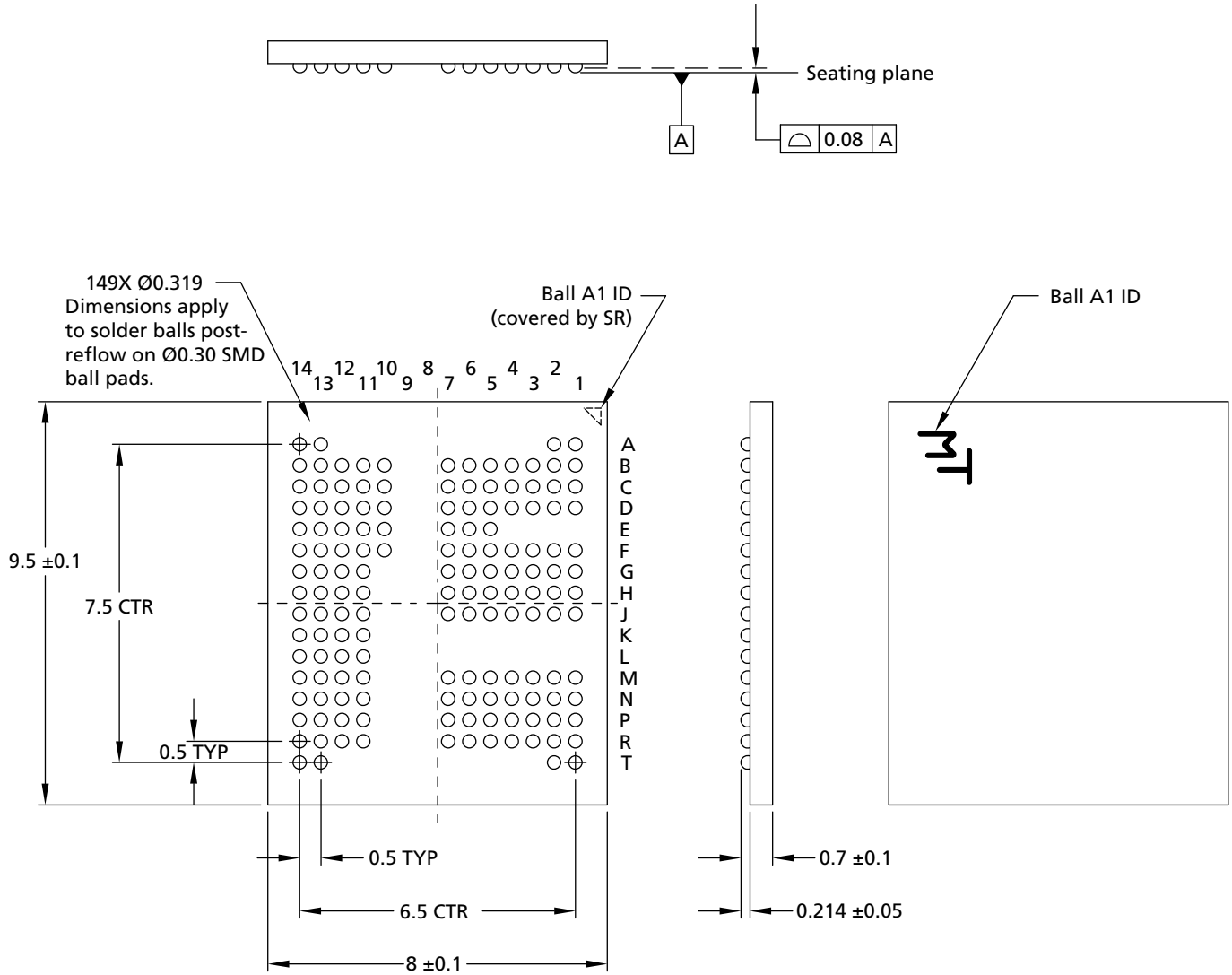




# 149-Ball NAND Flash with LPDDR4/LPDDR4X MCP Package Dimensions

## Package Dimensions

Figure 5: 149-Ball WFBGA



- Notes: 1. All dimensions are in millimeters.  
 2. Package height does not include room temperature warpage.



## 4Gb: x8, x16 NAND Flash Memory

### Features

- Open NAND Flash Interface (ONFI) 1.0-compliant<sup>1</sup>
- Single-level cell (SLC) technology
- Organization
  - Page size x8: 4352 bytes (4096 + 256 bytes)
  - Page size x16: 2176 words (2048 + 128 words)
  - Block size: 64 pages
  - Plane size: 1
  - Device size: 4Gb: 2048 blocks
- Asynchronous I/O performance
  - <sup>t</sup>RC/<sup>t</sup>WC: 20ns (3.3V), 30ns (1.8V)
- Array performance
  - Read page: 25µs
  - Program page: 200µs (TYP)
  - Erase block: 2ms (TYP)
- Command set: ONFI NAND Flash Protocol
- Advanced command set
  - Program page cache mode
  - Read page cache mode
  - Permanent block locking (blocks 47:0)
  - One-time programmable (OTP) mode
  - Block lock
  - Programmable drive strength
  - Read unique ID
  - Internal data move
- Operation status byte provides software method for detecting
  - Operation completion
  - Pass/fail condition
  - Write-protect status
- Ready/Busy# (R/B#) provides a hardware method of detecting operation completion
- WP#: Write protect entire device
- Blocks 7–0 are valid when shipped from factory with ECC. For minimum required ECC, see Error Management.
- RESET (FFh) required as first command after power-on
- Alternate method of device initialization after power-up (contact factory)
- Internal data move operations supported within the plane from which data is read
- Quality and reliability
  - Endurance: 100,000 PROGRAM/ERASE cycles IT temperature range
  - Endurance: 60,000 PROGRAM/ERASE cycles AT temperature range
  - Data retention: JESD47G-compliant; see qualification report
- Additional: Uncycled data retention: 10 years 24/7 @ 85°C

Note: 1. The ONFI 1.0 specification is available at [www.onfi.org](http://www.onfi.org).





## 149-Ball NAND Flash with LPDDR4/LPDDR4X MCP General Description

### General Description

Micron NAND Flash devices include an asynchronous data interface for high-performance I/O operations. These devices use a highly multiplexed 8-bit bus (I/Ox) to transfer commands, address, and data. There are five control signals used to implement the asynchronous data interface: CE#, CLE, ALE, WE#, and RE#. Additional signals control hardware write protection and monitor device status (R/B#).

This hardware interface creates a low pin-count device with a standard pinout that remains the same from one density to another, enabling future upgrades to higher densities with no board redesign.

A target is the unit of memory accessed by a chip enable signal. A target contains one or more NAND Flash die. A NAND Flash die is the minimum unit that can independently execute commands and report status. A NAND Flash die, in the ONFI specification, is referred to as a logical unit (LUN). There is at least one NAND Flash die per chip enable signal. For further details, see Device and Array Organization.



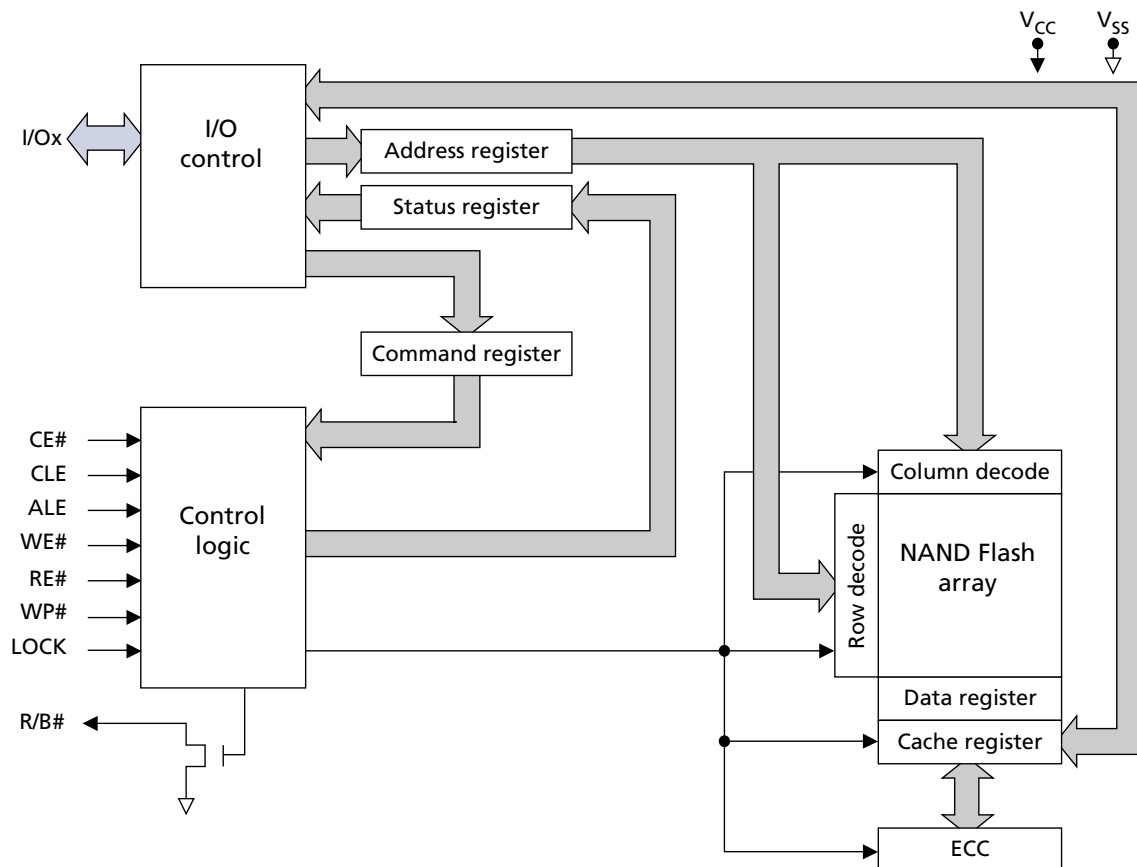
## Architecture

These devices use NAND Flash electrical and command interfaces. Data, commands, and addresses are multiplexed onto the same pins and received by I/O control circuits. The commands received at the I/O control circuits are latched by a command register and are transferred to control logic circuits for generating internal signals to control device operations. The addresses are latched by an address register and sent to a row decoder to select a row address, or to a column decoder to select a column address.

Data is transferred to or from the NAND Flash memory array, byte by byte (x8) or word by word (x16), through a data register and a cache register.

The NAND Flash memory array is programmed and read using page-based operations and is erased using block-based operations. During normal page operations, the data and cache registers act as a single register. During cache operations, the data and cache registers operate independently to increase data throughput. The status register reports the status of die operations.

Figure 6: NAND Flash Die (LUN) Functional Block Diagram





## Device and Array Organization

Figure 7: Array Organization - MT29F4G08

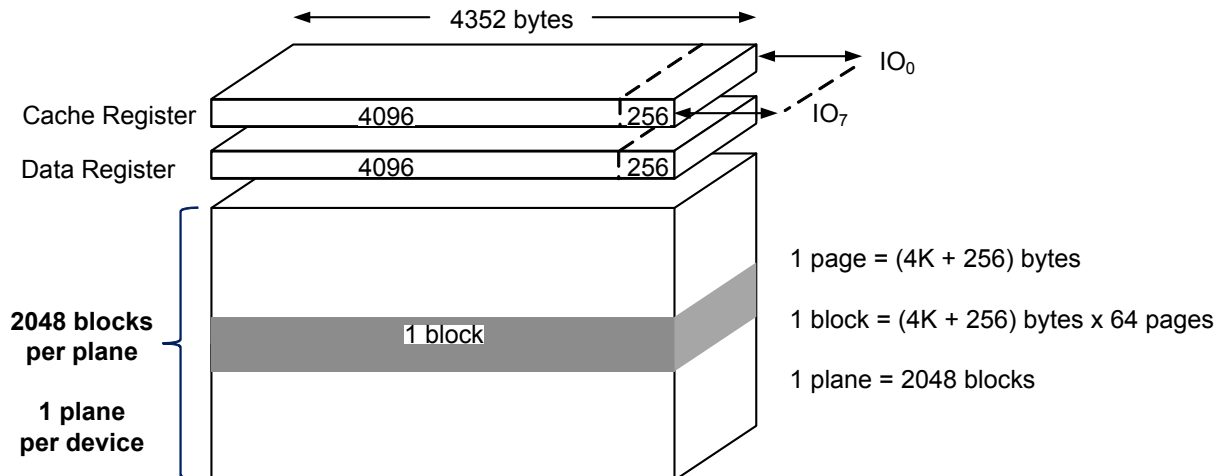


Table 7: Array Addressing (x8)

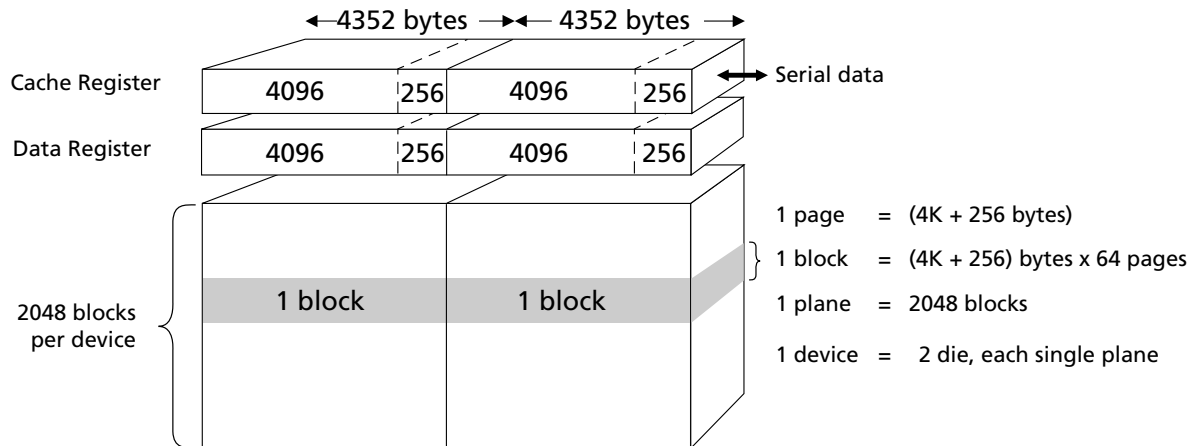
Cycle	I/07	I/06	I/05	I/04	I/03	I/02	I/01	I/00
First	CA7	CA6	CA5	CA4	CA3	CA2	CA1	CA0
Second	LOW	LOW	LOW	CA12 <sup>2</sup>	CA11	CA10	CA9	CA8
Third	BA7	BA6	PA5	PA4	PA3	PA2	PA1	PA0
Fourth	BA15	BA14	BA13	BA12	BA11	BA10	BA9	BA8
Fifth	LOW	LOW	LOW	LOW	LOW	LOW	LOW	BA16

- Notes:
1. Block address concatenated with page address = actual page address. CA<sub>x</sub> = column address; PA<sub>x</sub> = page address; BA<sub>x</sub> = block address.
  2. If CA12 is 1, then CA[11:8] must be 0.



# 149-Ball NAND Flash with LPDDR4/LPDDR4X MCP Device and Array Organization

**Figure 8: Array Organization - MT29F8G08**



**Table 8: Array Addressing (x8)**

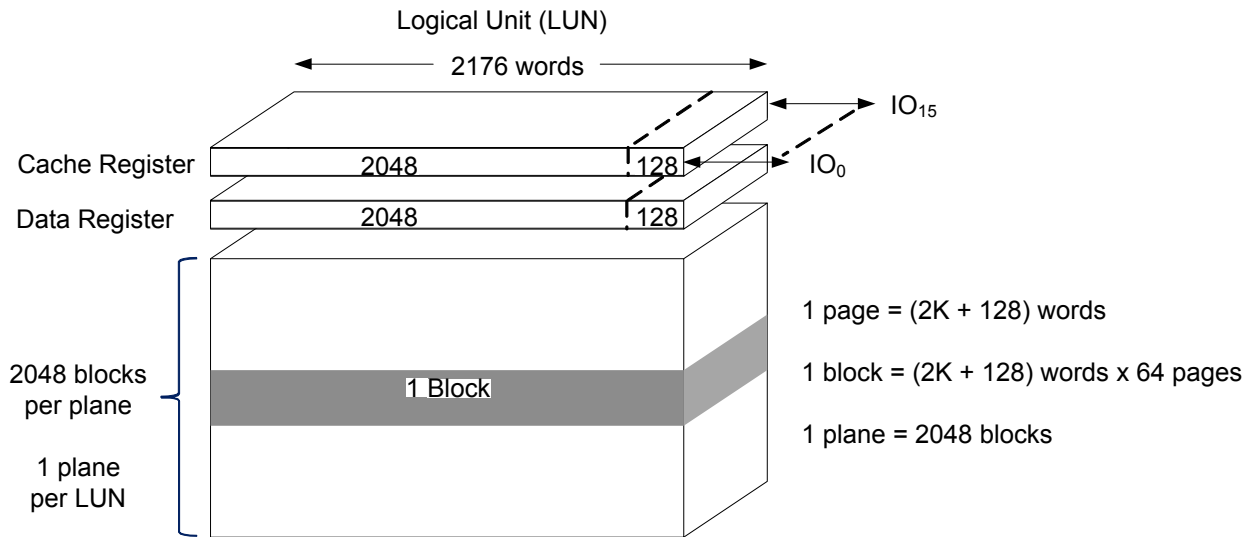
Cycle	I/07	I/06	I/05	I/04	I/03	I/02	I/01	I/00
First	CA7	CA6	CA5	CA4	CA3	CA2	CA1	CA0
Second	LOW	LOW	LOW	CA12 <sup>2</sup>	CA11	CA10	CA9	CA8
Third	BA7	BA6	PA5	PA4	PA3	PA2	PA1	PA0
Fourth	BA15	BA14	BA13	BA12	BA11	BA10	BA9	BA8
Fifth	LOW	LOW	LOW	LOW	LOW	LOW	LUA0 <sup>3</sup>	BA16

- Notes:
1. Block address concatenated with page address = actual page address. CAx = column address; PAx = page address; BAx = block address.
  2. If CA12 is 1, then CA[11:8] must be 0.
  3. LUA0 is used to select die in multi-LUN configuration.



# 149-Ball NAND Flash with LPDDR4/LPDDR4X MCP Device and Array Organization

**Figure 9: Array Organization - MT29F4G16**



**Table 9: Array Addressing (x16)**

Cycle	I/O[15:8]	I/O7	I/O6	I/O5	I/O4	I/O3	I/O2	I/O1	I/O0
First	LOW	CA7	CA6	CA5	CA4	CA3	CA2	CA1	CA0
Second	LOW	LOW	LOW	LOW	LOW	CA11 <sup>2</sup>	CA10	CA9	CA8
Third	LOW	BA7	BA6	PA5	PA4	PA3	PA2	PA1	PA0
Fourth	LOW	BA15	BA14	BA13	BA12	BA11	BA10	BA9	BA8
Fifth	LOW	LOW	LOW	LOW	LOW	LOW	LOW	LOW	BA16

- Notes:
- Block address concatenated with page address = actual page address. CA<sub>x</sub> = column address; PA<sub>x</sub> = page address; BA<sub>x</sub> = block address.
  - If CA11 is 1, then CA[10:7] must be 0.



## 149-Ball NAND Flash with LPDDR4/LPDDR4X MCP Asynchronous Interface Bus Operation

### Asynchronous Interface Bus Operation

The bus on the device is multiplexed. Data I/O, addresses, and commands all share the same pins. I/O[15:8] are used only for data in the ×16 configuration. Addresses and commands are always supplied on I/O[7:0].

The command sequence typically consists of a COMMAND LATCH cycle, ADDRESS INPUT cycles, and one or more DATA cycles, either READ or WRITE.

**Table 10: Asynchronous Interface Mode Selection**

Mode <sup>1</sup>	CE#	CLE	ALE	WE#	RE#	I/Ox	WP#
Standby <sup>2</sup>	H	X	X	X	X	X	0V/V <sub>CC</sub>
Command input	L	H	L		H	X	H
Address input	L	L	H		H	X	H
Data input	L	L	L		H	X	H
Data output	L	L	L	H		X	X
Write protect	X	X	X	X	X	X	L

- Notes: 1. Mode selection settings for this table: H = Logic level HIGH; L = Logic level LOW; X = V<sub>IH</sub> or V<sub>IL</sub>.  
2. WP# should be biased to CMOS LOW or HIGH for standby.

### Asynchronous Enable/Standby

When the device is not performing an operation, the CE# pin is typically driven HIGH and the device enters standby mode. The memory will enter standby if CE# goes HIGH while data is being transferred and the device is not busy. This helps to reduce power consumption.

The CE# “Don’t Care” operation enables the NAND Flash to reside on the same asynchronous memory bus as other Flash or SRAM devices. Other devices on the memory bus can then be accessed while the NAND Flash is busy with internal operations. This capability is important for designs that require multiple NAND Flash devices on the same bus.

A HIGH CLE signal indicates that a command cycle is taking place. A HIGH ALE signal signifies that an ADDRESS INPUT cycle is occurring.

### Asynchronous Commands

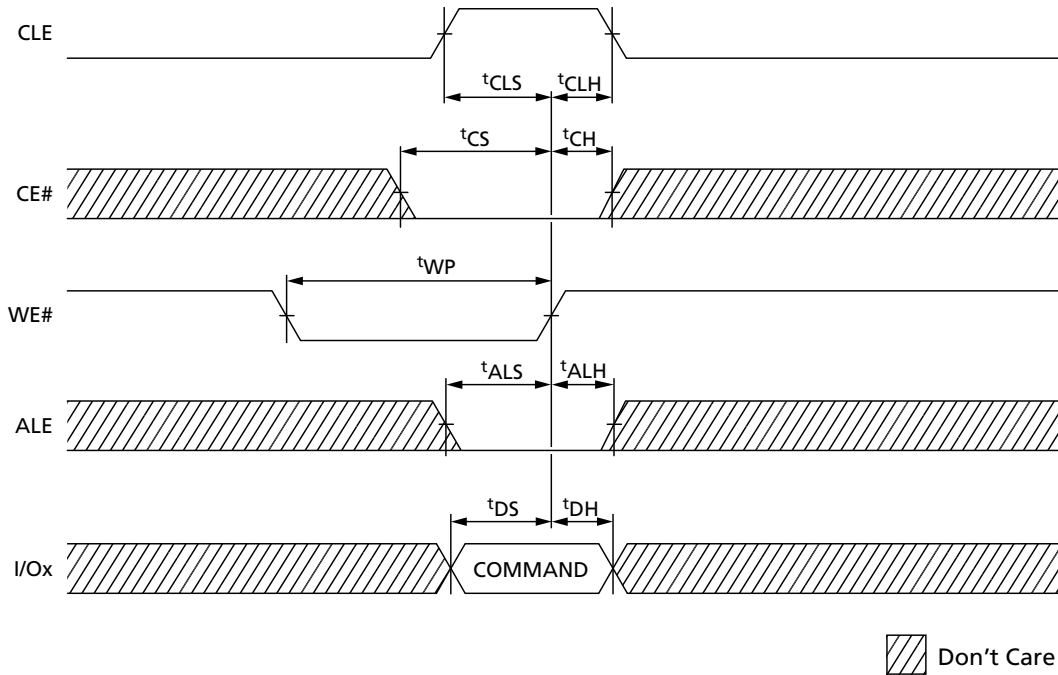
An asynchronous command is written from I/O[7:0] to the command register on the rising edge of WE# when CE# is LOW, ALE is LOW, CLE is HIGH, and RE# is HIGH.

Commands are typically ignored by die (LUNs) that are busy (RDY = 0); however, some commands, including READ STATUS (70h) and READ STATUS ENHANCED (78h), are accepted by die (LUNs) even when they are busy.

For devices with a ×16 interface, I/O[15:8] must be written with zeros when a command is issued.



Figure 10: Asynchronous Command Latch Cycle



### Asynchronous Addresses

An asynchronous address is written from I/O[7:0] to the address register on the rising edge of WE# when CE# is LOW, ALE is HIGH, CLE is LOW, and RE# is HIGH.

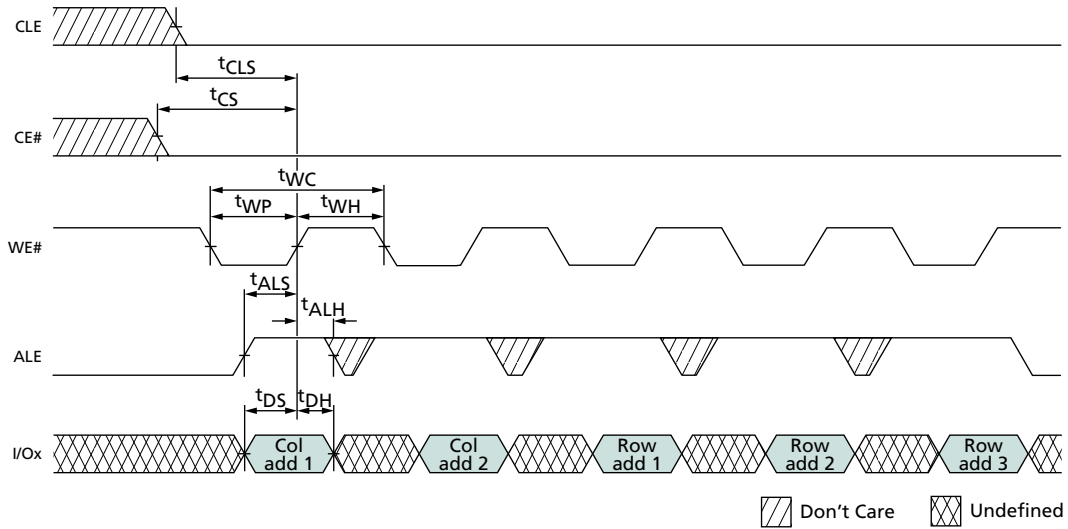
Bits that are not part of the address space must be LOW (see Device and Array Organization). The number of cycles required for each command varies. Refer to the command descriptions to determine addressing requirements.

Addresses are typically ignored by die (LUNs) that are busy (RDY = 0); however, some addresses are accepted by die (LUNs) even when they are busy; for example, like address cycles that follow the READ STATUS ENHANCED (78h) command.



# 149-Ball NAND Flash with LPDDR4/LPDDR4X MCP Asynchronous Interface Bus Operation

**Figure 11: Asynchronous Address Latch Cycle**



## Asynchronous Data Input

Data is written from I/O[7:0] to the cache register of the selected die (LUN) on the rising edge of WE# when CE# is LOW, ALE is LOW, CLE is LOW, and RE# is HIGH.

Data input is ignored by die (LUNs) that are not selected or are busy (RDY = 0). Data is written to the data register on the rising edge of WE# when CE#, CLE, and ALE are LOW, and the device is not busy.

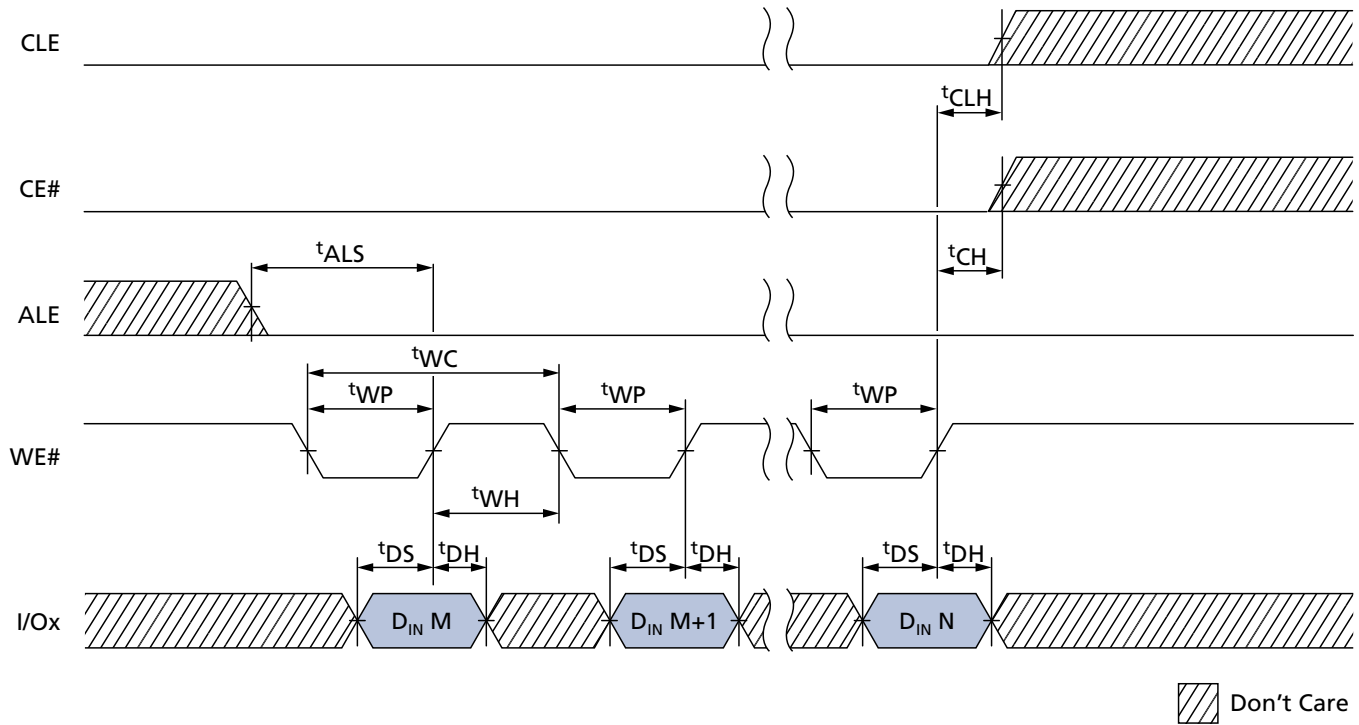
Data input utilizes I/O[7:0] on ×8 devices and I/O[15:0] on ×16 devices.





# 149-Ball NAND Flash with LPDDR4/LPDDR4X MCP Asynchronous Interface Bus Operation

Figure 12: Asynchronous Data Input Cycles





## 149-Ball NAND Flash with LPDDR4/LPDDR4X MCP Asynchronous Interface Bus Operation

### Asynchronous Data Output

Data can be output from a die (LUN) if it is in a ready state. Data output is supported following a READ operation from the NAND Flash array. Data is output from the cache register of the selected die (LUN) to IO bus on the falling edge of RE# when CE# is LOW, ALE is LOW, CLE is LOW, and WE# is HIGH.

If the host controller is using a  $t^4RC$  of 30ns or greater, the host can latch the data on the rising edge of RE# (see the figure below for proper timing). If the host controller is using a  $t^4RC$  of less than 30ns, the host can latch the data on the next falling edge of RE#.

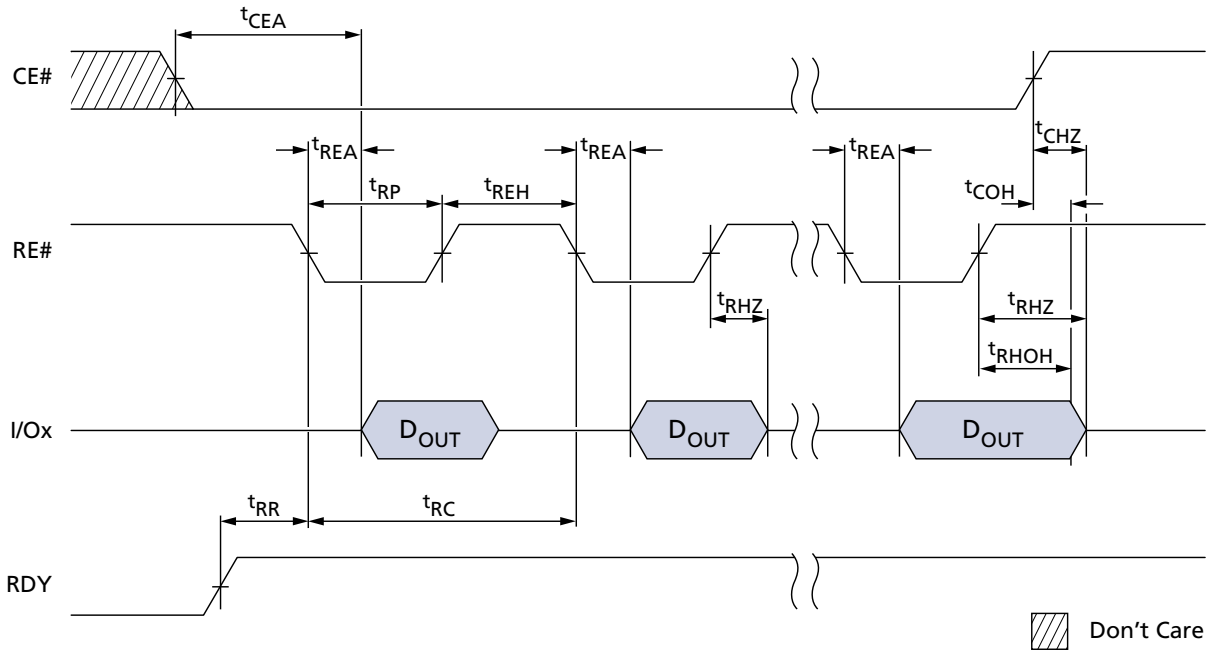
Using the READ STATUS ENHANCED (78h) command prevents data contention following an interleaved die (multi-LUN) operation. After issuing the READ STATUS ENHANCED (78h) command, to enable data output, issue the READ MODE (00h) command.

Data output requests are typically ignored by a die (LUN) that is busy (RDY = 0); however, it is possible to output data from the status register even when a die (LUN) is busy by first issuing the READ STATUS or READ STATUS ENHANCED (78h) command.

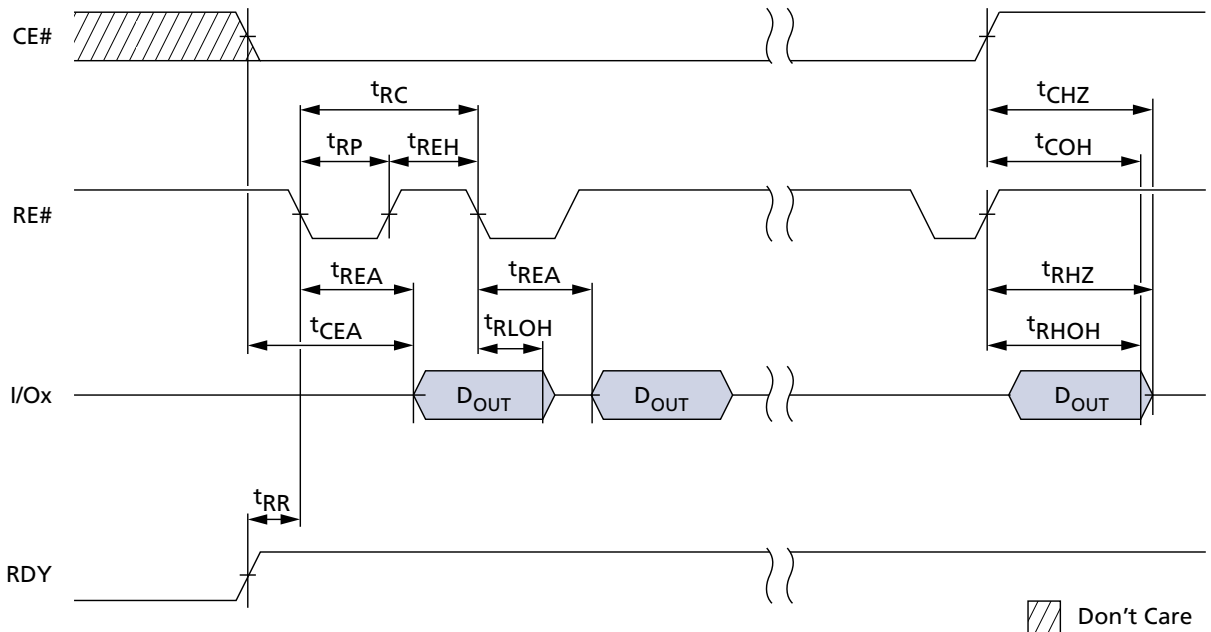


# 149-Ball NAND Flash with LPDDR4/LPDDR4X MCP Asynchronous Interface Bus Operation

**Figure 13: Asynchronous Data Output Cycles**



**Figure 14: Asynchronous Data Output Cycles (EDO Mode)**



## Write Protect#

The write protect# (WP#) signal enables or disables PROGRAM and ERASE operations to a target. When WP# is LOW, PROGRAM and ERASE operations are disabled. When WP# is HIGH, PROGRAM and ERASE operations are enabled.



## 149-Ball NAND Flash with LPDDR4/LPDDR4X MCP Asynchronous Interface Bus Operation

It is recommended that the host drive WP# LOW during power-on until  $V_{CC}$  is stable to prevent inadvertent PROGRAM and ERASE operations (see Device Initialization for additional details).

WP# must be transitioned only when the target is not busy and prior to beginning a command sequence. After a command sequence is complete and the target is ready, WP# can be transitioned. After WP# is transitioned, the host must wait  $t_{WW}$  before issuing a new command.

The WP# signal is always an active input, even when CE# is HIGH. This signal should not be multiplexed with other signals.

### Ready/Busy#

The ready/busy# (R/B#) signal provides a hardware method of indicating whether a target is ready or busy. A target is busy when one or more of its die (LUNs) are busy (RDY = 0). A target is ready when all of its die (LUNs) are ready (RDY = 1). Because each die (LUN) contains a status register, it is possible to determine the independent status of each die (LUN) by polling its status register instead of using the R/B# signal (see Status Operations for details regarding die (LUN) status).

This signal requires a pull-up resistor,  $R_p$ , for proper operation. R/B# is HIGH when the target is ready, and transitions LOW when the target is busy. The signal's open-drain driver enables multiple R/B# outputs to be OR-tied. Typically, R/B# is connected to an interrupt pin on the system controller.

The combination of  $R_p$  and capacitive loading of the R/B# circuit determines the rise time of the R/B# signal. The actual value used for  $R_p$  depends on the system timing requirements. Large values of  $R_p$  cause R/B# to be delayed significantly. Between the 10% and 90% points on the R/B# waveform, the rise time is approximately two time constants ( $T_C$ ).

$$T_C = R \times C$$

Where  $R = R_p$  (resistance of pull-up resistor), and  $C =$  total capacitive load.

The fall time of the R/B# signal is determined mainly by the output impedance of the R/B# signal and the total load capacitance. Approximate  $R_p$  values using a circuit load of 100pF are provided in Figure 18 (page 42).

The minimum value for  $R_p$  is determined by the output drive capability of the R/B# signal, the output voltage swing, and  $V_{CC}$ .

$$R_p = \frac{V_{CC} (\text{MAX}) - V_{OL} (\text{MAX})}{I_{OL} + \Sigma I_L}$$

Where  $\Sigma I_L$  is the sum of the input currents of all devices tied to the R/B# pin.



# 149-Ball NAND Flash with LPDDR4/LPDDR4X MCP Asynchronous Interface Bus Operation

Figure 15: READ/BUSY# Open Drain

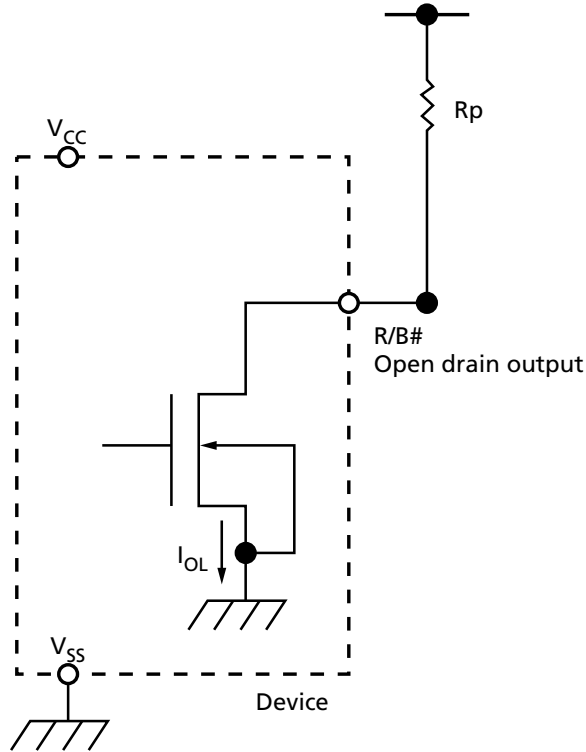
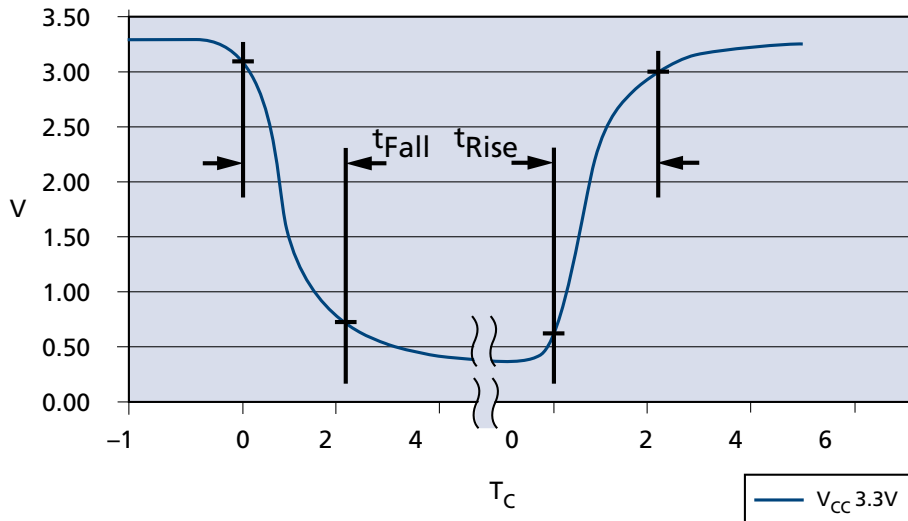


Figure 16:  $t_{Fall}$  and  $t_{Rise}$  (3.3V  $V_{CC}$ )



- Notes:
1.  $t_{Fall}$  and  $t_{Rise}$  calculated at 10% and 90% points.
  2.  $t_{Rise}$  dependent on external capacitance and resistive loading and output transistor impedance.
  3.  $t_{Rise}$  primarily dependent on external pull-up resistor and external capacitive loading.
  4.  $t_{Fall}$  = 10ns at 3.3V.
  5. See  $T_C$  values in Figure 18 (page 42) for approximate  $R_p$  value and  $T_C$ .



## 149-Ball NAND Flash with LPDDR4/LPDDR4X MCP Asynchronous Interface Bus Operation

Figure 17:  $I_{OL}$  vs.  $R_p$  ( $V_{CC} = 3.3V$   $V_{CC}$ )

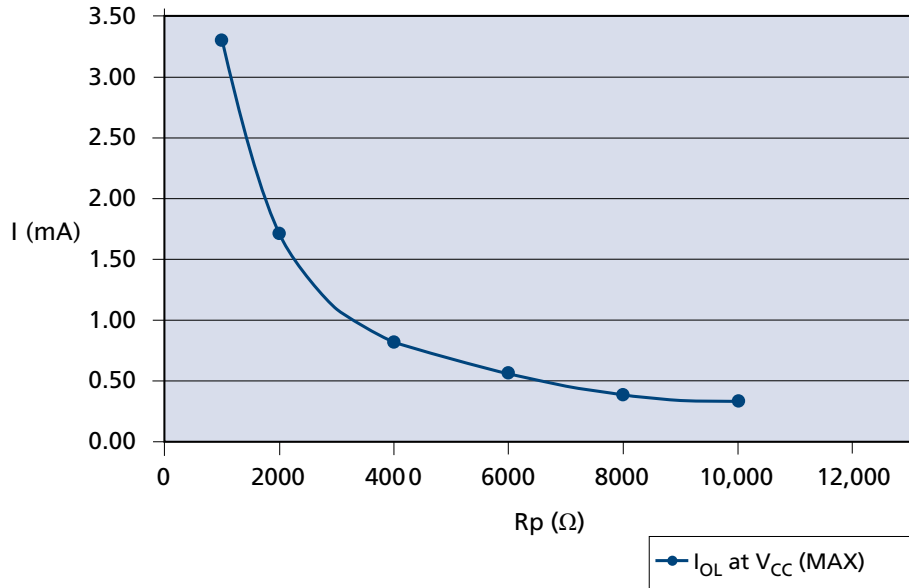
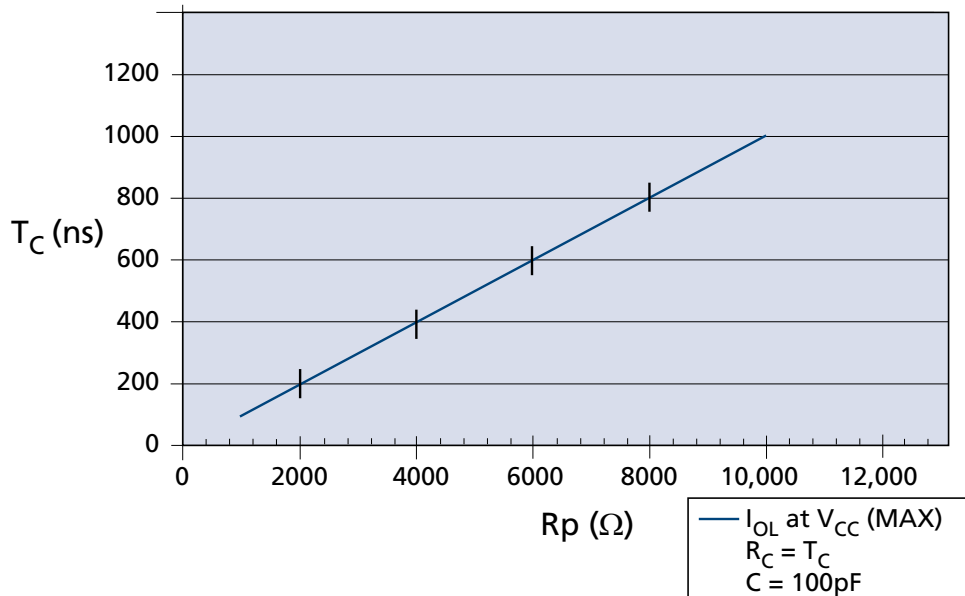


Figure 18:  $T_C$  vs.  $R_p$



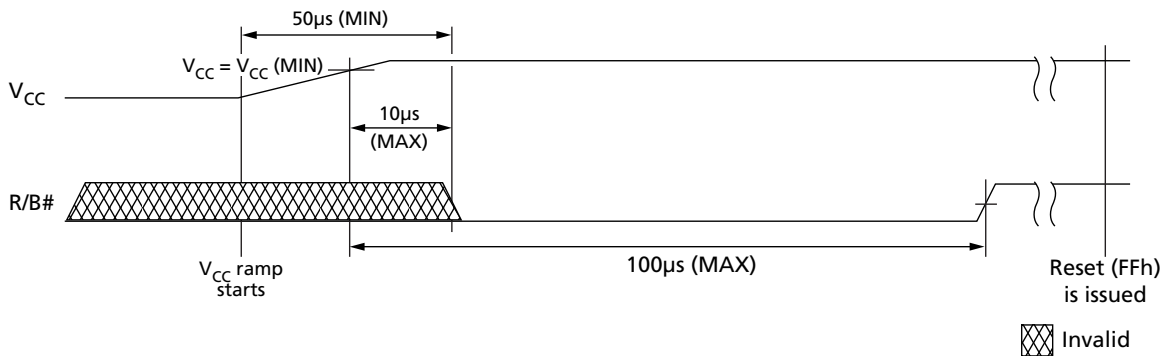


## Device Initialization

Micron NAND Flash devices are designed to prevent data corruption during power transitions.  $V_{CC}$  is internally monitored. (The WP# signal supports additional hardware protection during power transitions.) When ramping  $V_{CC}$ , use the following procedure to initialize the device:

1. Ramp  $V_{CC}$ .
2. The host must wait for R/B# to be valid and HIGH before issuing RESET (FFh) to any target. The R/B# signal becomes valid when  $50\mu\text{s}$  has elapsed since the beginning the  $V_{CC}$  ramp, and  $10\mu\text{s}$  has elapsed since  $V_{CC}$  reaches  $V_{CC,\text{min}}$ .
3. If not monitoring R/B#, the host must wait at least  $100\mu\text{s}$  after  $V_{CC}$  reaches  $V_{CC,\text{min}}$ . If monitoring R/B#, the host must wait until R/B# is HIGH.
4. The asynchronous interface is active by default for each target. Each LUN draws less than an average of  $10\text{mA}$  ( $I_{ST}$ ) measured over intervals of  $1\text{ms}$  until the RESET (FFh) command is issued.
5. The RESET (FFh) command must be the first command issued to all targets (CE#s) after the NAND Flash device is powered on. Each target will be busy for  $1\text{ms}$  after a RESET command is issued. The RESET busy time can be monitored by polling R/B# or issuing the READ STATUS (70h) command to poll the status register.
6. The device is now initialized and ready for normal operation.

**Figure 19: R/B# Power-On Behavior**





## 149-Ball NAND Flash with LPDDR4/LPDDR4X MCP Power Cycle Requirements

### Power Cycle Requirements

Upon power-down the NAND device requires a maximum voltage and minimum time that the host must hold  $V_{CC}$  and  $V_{CCQ}$  below the voltage prior to power-on.

**Table 11: Power Cycle Requirements**

Device can not operate correctly when  $V_{CC}$  is lower than 2.5V@3.3V or 1.5V@1.8V.

Parameter	Value	Unit
Maximum $V_{CC}/V_{CCQ}$	100	mV
Minimum time below maximum voltage	100	nS





## 149-Ball NAND Flash with LPDDR4/LPDDR4X MCP Command Definitions

### Command Definitions

Table 12: Command Set

Command	Command Cycle #1	Number of Valid Address Cycles	Data Input Cycles	Command Cycle #2	Valid While Selected LUN is Busy <sup>1</sup>	Valid While Other LUNs are Busy <sup>1</sup>	Notes
<b>Reset Operations</b>							
RESET	FFh	0	–	–	Yes	Yes	–
<b>Identification Operation</b>							
READ ID	90h	1	–	–	No	No	–
READ PARAMETER PAGE	ECh	1	–	–	No	No	–
READ UNIQUE ID	EDh	1	–	–	No	No	–
<b>Feature Operations</b>							
GET FEATURES	EEh	1	–	–	No	No	–
SET FEATURES	EFh	1	4	–	No	No	–
<b>Status Operations</b>							
READ STATUS	70h	0	–	–	Yes	N/A	–
READ STATUS ENHANCED	78h	3	–	–	Yes	Yes	2
<b>Column Address Operations</b>							
RANDOM DATA READ	05h	2	–	E0h	No	Yes	–
RANDOM DATA INPUT	85h	2	Optional	–	No	Yes	–
PROGRAM FOR INTERNAL DATA MOVE	85h	5	Optional	–	No	Yes	3
<b>READ Operations</b>							
READ MODE	00h	0	–	–	No	Yes	–
READ PAGE	00h	5	–	30h	No	Yes	–
READ PAGE CACHE SEQUENTIAL	31h	0	–	–	No	Yes	4
READ PAGE CACHE RANDOM	00h	5	–	31h	No	Yes	4
READ PAGE CACHE LAST	3Fh	0	–	–	No	Yes	4
<b>Program Operations</b>							
PROGRAM PAGE	80h	5	Yes	10h	No	Yes	2
PROGRAM PAGE CACHE	80h	5	Yes	15h	No	Yes	2, 5
<b>Erase Operations</b>							
ERASE BLOCK	60h	3	–	D0h	No	Yes	–
<b>Internal Data Move Operations</b>							
READ FOR INTERNAL DATA MOVE	00h	5	–	35h	No	Yes	3



## 149-Ball NAND Flash with LPDDR4/LPDDR4X MCP Command Definitions

**Table 12: Command Set (Continued)**

Command	Command Cycle #1	Number of Valid Address Cycles	Data Input Cycles	Command Cycle #2	Valid While Selected LUN is Busy <sup>1</sup>	Valid While Other LUNs are Busy <sup>1</sup>	Notes
PROGRAM FOR INTERNAL DATA MOVE	85h	5	Optional	10h	No	Yes	–
<b>Block Lock Operations</b>							
BLOCK UNLOCK LOW	23h	3	–	–	No	Yes	–
BLOCK UNLOCK HIGH	24h	3	–	–	No	Yes	–
BLOCK LOCK	2Ah	–	–	–	No	Yes	–
BLOCK LOCK-TIGHT	2Ch	–	–	–	No	Yes	–
BLOCK LOCK READ STATUS	7Ah	3	–	–	No	Yes	–
PERMANENT BOOT BLOCK PROTECT	–	–	–	–	No	Yes	–
PERMANENT BOOT BLOCK PROTECT	83h	5	–	10h	No	Yes	–
PERMANENT BOOT BLOCK PROTECT Disable	80h	5	Yes	10h	No	No	–
<b>One-Time Programmable (OTP) Operations</b>							
OTP DATA LOCK BY BLOCK (ONFI)	80h	5	No	10h	No	No	6
OTP DATA PROGRAM (ONFI)	80h	5	Yes	10h	No	No	6
OTP DATA READ (ONFI)	00h	5	No	30h	No	No	6

- Notes:
1. Busy means RDY = 0.
  2. These commands can be used for interleaved die (multi-LUN) operations (applicable to Multi-LUN Operations).
  3. Do not cross plane address boundaries when using READ for INTERNAL DATA MOVE and PROGRAM for INTERNAL DATA MOVE.
  4. Issuing a READ PAGE CACHE series (31h, 00h-31h, 00h-32h, 3Fh) command when the array is busy (RDY = 1, ARDY = 0) is supported if the previous command was a READ PAGE (00h-30h) or READ PAGE CACHE series command; otherwise, it is prohibited.
  5. Issuing a PROGRAM PAGE CACHE (80h-15h) command when the array is busy (RDY = 1, ARDY = 0) is supported if the previous command was a PROGRAM PAGE CACHE (80h-15h) command; otherwise, it is prohibited.
  6. OTP commands can be entered only after issuing the SET FEATURES command with the feature address.



## Reset Operations

### RESET (FFh)

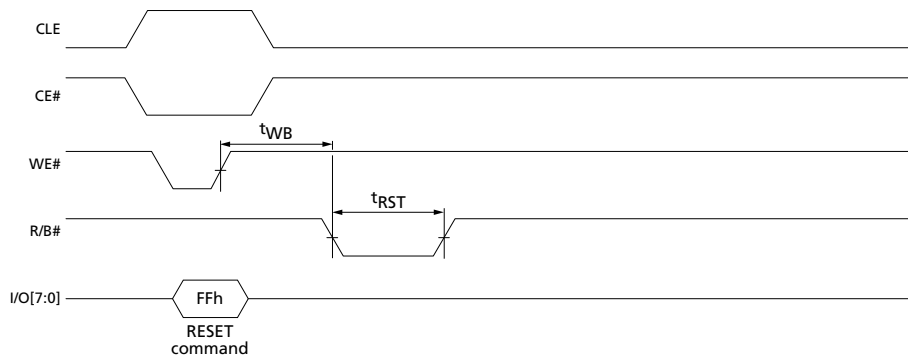
The RESET command is used to put the memory device into a known condition and to abort the command sequence in progress.

READ, PROGRAM, and ERASE commands can be aborted while the device is in the busy state. The contents of the memory location being programmed or the block being erased are no longer valid. The data may be partially erased or programmed, and is invalid. The command register is cleared and is ready for the next command. The data register and cache register contents are marked invalid.

The status register contains the value E0h when WP# is HIGH; otherwise it is written with a 60h value. R/B# goes LOW for  $t_{RST}$  after the RESET command is written to the command register.

The RESET command must be issued to all CE#s as the first command after power-on. The device will be busy for a maximum of 1ms.

Figure 20: RESET (FFh) Operation





## Identification Operations

### READ ID (90h)

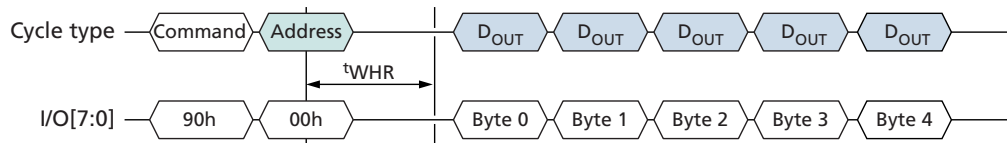
The READ ID (90h) command is used to read identifier codes programmed into the target. This command is accepted by the target only when all die (LUNs) on the target are idle.

Writing 90h to the command register puts the target in read ID mode. The target stays in this mode until another valid command is issued.

When the 90h command is followed by an 00h address cycle, the target returns a 5-byte identifier code that includes the manufacturer ID, device configuration, and part-specific information.

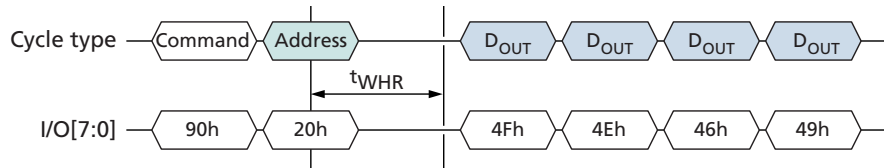
When the 90h command is followed by a 20h address cycle, the target returns the 4-byte ONFI identifier code.

**Figure 21: READ ID (90h) with 00h Address Operation**



Note: 1. See READ ID Parameter tables for byte definitions.

**Figure 22: READ ID (90h) with 20h Address Operation**



Note: 1. See READ ID Parameter tables for byte definitions.



## 149-Ball NAND Flash with LPDDR4/LPDDR4X MCP READ ID Parameter Tables

### READ ID Parameter Tables

Table 13: READ ID Parameters for Address 00h

Byte	Options	I/07	I/06	I/05	I/04	I/03	I/02	I/01	I/00	Value
<b>Byte 0 – Manufacturer ID</b>										
Manufacturer	Micron	0	0	1	0	1	1	0	0	2Ch
<b>Byte 1 – Device ID</b>										
MT29F4G08ABBFA	4Gb, x8, 1.8V	1	0	1	0	1	1	0	0	ACh
MT29F4G16ABBFA	4Gb, x16, 1.8V	1	0	1	1	1	1	0	0	BCh
MT29F4G08ABAFA	4Gb, x8, 3.3V	1	1	0	1	1	1	0	0	DCh
MT29F4G16ABAFA	4Gb, x16, 3.3V	1	1	0	0	1	1	0	0	CCh
MT29F8G08ADAFA	8Gb, x8, 3.3V	1	1	0	1	0	0	1	1	D3h
MT29F8G08ADBFA	8Gb, x8, 1.8V	1	0	1	0	0	0	1	1	A3h
<b>Byte 2</b>										
Number of die per CE	1							0	0	00b
Cell type	SLC					0	0			00b
Number of simultaneously programmed pages	1 (4Gb)			0	0					00b
	2 (8Gb)			0	1					01b
Interleaved operations between multiple die	Not supported (4Gb)		0							0b
	Supported (8Gb)		1							1b
Cache programming	Supported	1								1b
Byte value	4Gb	1	0	0	0	0	0	0	0	80h
	8Gb	1	1	0	1	0	0	0	0	D0h
<b>Byte 3</b>										
Page size	4KB							1	0	10b
Spare area size (bytes)	256B						1			1b
Block size (without spare)	256KB			1	0					10b
Organization	x8		0							0b
Organization	x16		1							1b
Serial access (MIN)	1.8V	30ns	0			0				0b
	3.3V	20ns	1			0				10b
Byte value	x8, 1.8V	0	0	1	0	0	1	1	0	26h
	x8, 3.3V	1	0	1	0	0	1	1	0	A6h
	x16, 1.8V	0	1	1	0	0	1	1	0	66h
	x16, 3.3V	1	1	1	0	0	1	1	0	E6h
<b>Byte 4</b>										
Internal ECC level	8-bit ECC/512B (main) + 16B (Spare)+16B (parity) bytes							1	0	10b
Planes per CE#	1					0	0			00b
	2					0	1			01b



## 149-Ball NAND Flash with LPDDR4/LPDDR4X MCP READ ID Parameter Tables

**Table 13: READ ID Parameters for Address 00h (Continued)**

Byte	Options	I/07	I/06	I/05	I/04	I/03	I/02	I/01	I/00	Value
Plane size	4Gb		1	1	0					110b
Internal ECC	ECC Disabled	0								0b
	ECC Enabled	1								1b
Byte value	4Gb	x	1	1	0	0	0	1	0	62h
	8Gb	x	1	1	0	0	1	1	0	66h

Note: 1. b = binary; h = hexadecimal.

**Table 14: READ ID Parameters for Address 20h**

Byte	Options	I/07	I/06	I/05	I/04	I/03	I/02	I/01	I/00	Value
0	"O"	0	1	0	0	1	1	1	1	4Fh
1	"N"	0	1	0	0	1	1	1	0	4Eh
2	"F"	0	1	0	0	0	1	1	0	46h
3	"I"	0	1	0	0	1	0	0	1	49h
4	Undefined	X	X	X	X	X	X	X	X	XXh

Note: 1. h = hexadecimal; X =  $V_{IH}$  or  $V_{IL}$ .



## READ PARAMETER PAGE (ECh)

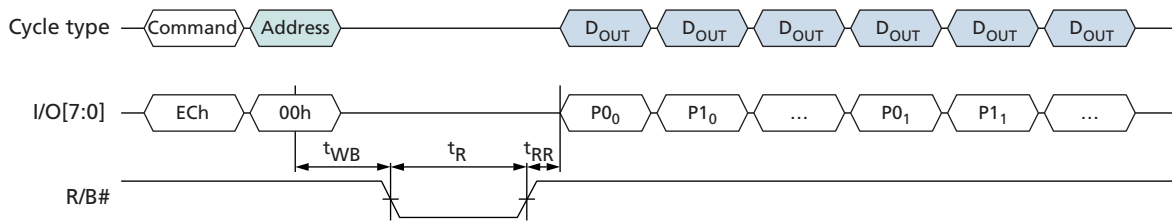
The READ PARAMETER PAGE (ECh) command is used to read the ONFI parameter page programmed into the target. This command is accepted by the target only when all die (LUNs) on the target are idle.

Writing ECh to the command register puts the target in read parameter page mode. The target stays in this mode until another valid command is issued.

When the ECh command is followed by an 00h address cycle, the target goes busy for  $t_R$ . If the READ STATUS (70h) command is used to monitor for command completion, the READ MODE (00h) command must be used to re-enable data output mode. Use of the READ STATUS ENHANCED (78h) command is prohibited while the target is busy and during data output.

A minimum of three copies of the parameter page are stored in the device. Each parameter page is 256 bytes. If desired, the RANDOM DATA READ (05h-E0h) command can be used to change the location of data output.

**Figure 23: READ PARAMETER (ECh) Operation**





## 149-Ball NAND Flash with LPDDR4/LPDDR4X MCP Parameter Page Data Structure Table

### Parameter Page Data Structure Table

**Table 15: Parameter Page Data Structure**

Byte	Description	Value (hex)
0–3	Parameter page signature	4Fh, 4Eh, 46h, 49h
4–5	Revision number	02h, 00h
6–7	Feature support	x8: 12h, 00h
8–9	Optional commands support	3Fh, 00h
10–31	Reserved	00h
32–43	Device manufacturer	4Dh, 49h, 43h, 52h, 4Fh, 4Eh, 20h, 20h, 20h, 20h, 20h, 20h
44–63	Device model:	4Gb: MT29F4G08ABBFA3W
		8Gb: MT29F8G08ADBFA
44–63	Device model:	4Dh, 54h, 32h, 39h, 46h, 34h, 47h, 30h, 38h, 41h, 42h, 42h, 46h, 41h, 33h, 57h, 20h, 20h, 20h, 20h
44–63	Device model:	4Dh, 54h, 32h, 39h, 46h, 38h, 47h, 30h, 38h, 41h, 44h, 42h, 46h, 41h, 20h, 20h, 20h, 20h, 20h, 20h
64	Manufacturer ID	2Ch
65–66	Date code	00h
67–79	Reserved	00h
80–83	Number of data bytes per page	00h, 10h, 00h, 00h
84–85	Number of spare bytes per page	00h, 01h
86–89	Number of data bytes per partial page	00h, 04h, 00h, 00h
90–91	Number of spare bytes per partial page	40h, 00h
92–95	Number of pages per block	40h, 00h, 00h, 00h
96–99	Number of blocks per unit	00h, 08h, 00h, 00h
100	Number of logical units	4Gb:
		8Gb:
100	Number of logical units	01h
100	Number of logical units	02h
101	Number of address cycles	23h
102	Number of bits per cell	01h
103–104	Bad blocks maximum per unit	28h, 00h
105–106	Block endurance	01h, 05h
107	Guaranteed valid blocks at beginning of target	08h
108–109	Block endurance for guaranteed valid blocks	00h, 00h
110	Number of programs per page	04h
111	Partial programming attributes	00h
112	Number of ECC bits	08h
113	Number of interleaved address bits	01h
114	Interleaved operation attributes	0Eh





## 149-Ball NAND Flash with LPDDR4/LPDDR4X MCP Parameter Page Data Structure Table

**Table 15: Parameter Page Data Structure (Continued)**

Byte	Description	Value (hex)	
115– 127	Reserved	00h	
128	I/O pin capacitance	08h	
129– 130	Timing mode support	0Fh, 00h	
131– 132	Program cache timing	0Fh, 00h	
133– 134	<sup>†</sup> PROG (MAX) page program time	58h, 02h	
135– 136	<sup>†</sup> ERS (MAX) block erase time	10h, 27h	
137– 138	<sup>†</sup> R (MAX) page read time	19h, 00h	
139– 140	<sup>†</sup> CCS (MIN)	64h, 00h	
141– 163	Reserved	00h	
164– 165	Vendor-specific revision number	01h, 00h	
166– 179	Vendor-specific	00h, 00h, 00h, 02h, 04h, 80h, 01h, 81h, 04h, 03h, 02h, 01h, 30h, 90h	
180– 247	Reserved	00h	
248	ECC maximum correct ability	00h	
249	Die select feature	00h	
250– 253	Reserved	00h	
254– 255	Integrity CRC	4Gb:	62h, DFh
		8Gb:	12h, C2h
256– 512	2nd copy of the parameter table		
513– 768	3rd copy of the parameter table		
769– 2048	Additional redundant parameter pages		



## READ UNIQUE ID (EDh)

The READ UNIQUE ID (EDh) command is used to read a unique identifier programmed into the target. This command is accepted by the target only when all die (LUNs) on the target are idle.

Writing EDh to the command register puts the target in read unique ID mode. The target stays in this mode until another valid command is issued.

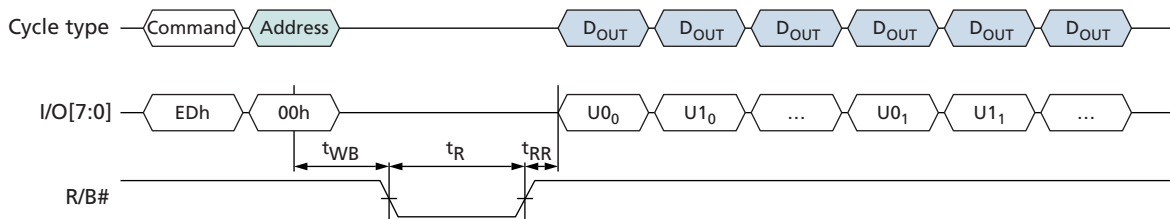
When the EDh command is followed by an 00h address cycle, the target goes busy for  $t_R$ . If the READ STATUS (70h) command is used to monitor for command completion, the READ MODE (00h) command must be used to re-enable data output mode.

After  $t_R$  completes, the host enables data output mode to read the unique ID. When the asynchronous interface is active, one data byte is output per RE# toggle.

Sixteen copies of the unique ID data are stored in the device. Each copy is 32 bytes. The first 16 bytes of a 32-byte copy are unique data, and the second 16 bytes are the complement of the first 16 bytes. The host should XOR the first 16 bytes with the second 16 bytes. If the result is 16 bytes of FFh, then that copy of the unique ID data is correct. In the event that a non-FFh result is returned, the host can repeat the XOR operation on a subsequent copy of the unique ID data. If desired, the RANDOM DATA READ (05h-E0h) command can be used to change the data output location.

The upper eight I/Os on a x16 device are not used and are a “Don’t Care” for x16 devices.

Figure 24: READ UNIQUE ID (EDh) Operation





## Feature Operations

The SET FEATURES (EFh) and GET FEATURES (EEh) commands are used to modify the target's default power-on behavior. These commands use a one-byte feature address to determine which sub-feature parameters will be read or modified. Each feature address (in the 00h to FFh range) is defined in below. The SET FEATURES (EFh) command writes sub-feature parameters (P1–P4) to the specified feature address. The GET FEATURES command reads the sub-feature parameters (P1–P4) at the specified feature address.

**Table 16: Feature Address Definitions**

Feature Address	Definition
00h	Reserved
01h	Timing mode
02h–7Fh	Reserved
80h	Programmable output drive strength
81h	Programmable RB# pull-down strength
82h–FFh	Reserved
90h	Array operation mode

**Table 17: Feature Addresses 90h: Timing Mode**

Sub-feature Parameter	Options	I/O7	I/O6	I/O5	I/O4	I/O3	I/O2	I/O1	I/O0	Value	Notes
<b>P1</b>											
Timing mode	Normal	Reserved (0)							0	00h	1
	OTP operation	Reserved (0)							1	01h	
	OTP protection	Reserved (0)						1	1	03h	
	Disable ECC	Reserved (0)			0	0	0	0	00h	3	
	Enable ECC	Reserved (0)			1	0	0	0	08h	1, 2	
	Permanent block lock disable	Reserved (0)		1	0	0	0	0	10h	4	
<b>P2</b>											
		Reserved (0)								00h	
<b>P3</b>											
		Reserved (0)								00h	
<b>P4</b>											
		Reserved (0)								00h	

- Notes:
1. These bits are reset to 00h after power cycle.
  2. Bit3 is used to enable/disable ECC. For ECC always on or ECC always off configuration, bit3 is reserved (0) and should be set to 0.
  3. For MPNs with "-ITE" ECC enabled by default, this bit is Reserved.



## 149-Ball NAND Flash with LPDDR4/LPDDR4X MCP Feature Operations

- If Permanent block lock disable sequence is issued again to a part that has already been disabled, the part will be busy for  $t_{OBSY}$  and exit with SR=60h. The part will be busy for  $t_{OBSY\_ECC}$  when ECC is enabled.

### SET FEATURES (EFh)

The SET FEATURES (EFh) command writes the subfeature parameters (P1–P4) to the specified feature address to enable or disable target-specific features.

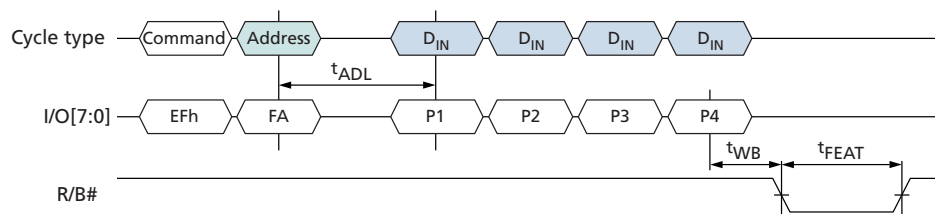
Writing EFh to the command register puts the target in the set features mode. The target stays in this mode until another command is issued.

The EFh command is followed by a valid feature address. The host waits for  $t_{ADL}$  before the subfeature parameters are input. When the asynchronous interface is active, one subfeature parameter is latched per rising edge of WE#.

After all four subfeature parameters are input, the target goes busy for  $t_{FEAT}$ . The READ STATUS (70h) command can be used to monitor for command completion.

Feature address 01h (timing mode) operation is unique. If SET FEATURES is used to modify the interface type, the target will be busy for  $t_{ITC}$ .

**Figure 25: SET FEATURES (EFh) Operation**



### GET FEATURES (EEh)

The GET FEATURES (EEh) command reads the subfeature parameters (P1–P4) from the specified feature address. This command is accepted by the target only when all die (LUNs) on the target are idle.

Writing EEh to the command register puts the target in get features mode. The target stays in this mode until another valid command is issued.

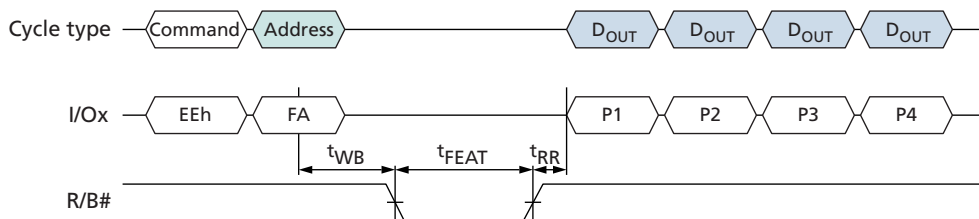
When the EEh command is followed by a feature address, the target goes busy for  $t_{FEAT}$ . If the READ STATUS (70h) command is used to monitor for command completion, the READ MODE (00h) command must be used to re-enable data output mode. During and prior to data output, use of the READ STATUS ENHANCED (78h) command is prohibited.

After  $t_{FEAT}$  completes, the host enables data output mode to read the subfeature parameters.



# 149-Ball NAND Flash with LPDDR4/LPDDR4X MCP Feature Operations

**Figure 26: GET FEATURES (EEh) Operation**



**Table 18: Feature Addresses 01h: Timing Mode**

Subfeature Parameter	Options	I/O7	I/O6	I/O5	I/O4	I/O3	I/O2	I/O1	I/O0	Value	Notes
<b>P1</b>											
Timing mode	Mode 0 (default)			Reserved (0)			0	0	0	00h	1
	Mode 1			Reserved (0)			0	0	1	01h	
	Mode 2			Reserved (0)			0	1	0	02h	
	Mode 3			Reserved (0)			0	1	1	03h	
	Mode 4			Reserved (0)			1	0	0	04h	
	Mode 5			Reserved (0)			1	0	1	05h	
<b>P2</b>											
				Reserved (0)						00h	
<b>P3</b>											
				Reserved (0)						00h	
<b>P4</b>											
				Reserved (0)						00h	

Note: 1. The timing mode feature address is used to change the default timing mode. The timing mode should be selected to indicate the maximum speed at which the device will receive commands, addresses, and data cycles. The five supported settings for the timing mode are shown. The default timing mode is mode 0. The device returns to mode 0 when the device is power cycled. Supported timing modes are reported in the parameter page.

**Table 19: Feature Addresses 80h: Programmable I/O Drive Strength**

Subfeature Parameter	Options	I/O7	I/O6	I/O5	I/O4	I/O3	I/O2	I/O1	I/O0	Value	Notes
<b>P1</b>											
I/O drive strength	Full (default)			Reserved (0)				0	0	00h	1
	Three-quarters			Reserved (0)				0	1	01h	
	One-half			Reserved (0)				1	0	02h	
	One-quarter			Reserved (0)				1	1	03h	
<b>P2</b>											



## 149-Ball NAND Flash with LPDDR4/LPDDR4X MCP Feature Operations

**Table 19: Feature Addresses 80h: Programmable I/O Drive Strength (Continued)**

Subfeature Parameter	Options	I/O7	I/O6	I/O5	I/O4	I/O3	I/O2	I/O1	I/O0	Value	Notes
		Reserved (0)								00h	
<b>P3</b>											
		Reserved (0)								00h	
<b>P4</b>											
		Reserved (0)								00h	

Note: 1. The programmable drive strength feature address is used to change the default I/O drive strength. Drive strength should be selected based on expected loading of the memory bus. This table shows the four supported output drive strength settings. The default drive strength is full strength. The device returns to the default drive strength mode when the device is power cycled. AC timing parameters may need to be relaxed if I/O drive strength is not set to full.

**Table 20: Feature Addresses 81h: Programmable R/B# Pull-Down Strength**

Subfeature Parameter	Options	I/O7	I/O6	I/O5	I/O4	I/O3	I/O2	I/O1	I/O0	Value	Notes
<b>P1</b>											
R/B# pull-down strength	Full (default)							0	0	00h	1
	Three-quarters							0	1	01h	
	One-half							1	0	02h	
	One-quarter							1	1	03h	
<b>P2</b>											
		Reserved (0)								00h	
<b>P3</b>											
		Reserved (0)								00h	
<b>P4</b>											
		Reserved (0)								00h	

Note: 1. This feature address is used to change the default R/B# pull-down strength. Its strength should be selected based on the expected loading of R/B#. Full strength is the default, power-on value.



## Status Operations

Each die (LUN) provides its status independently of other die (LUNs) on the same target through its 8-bit status register.

When a READ STATUS (70h) or READ STATUS ENHANCED (78h) command is issued, status register output is enabled. Status register contents are returned on I/O[7:0] for each data output request.

When the asynchronous interface is active and status register output is enabled, changes in the status register are seen on I/O[7:0] when CE# and RE# are LOW; it is not necessary to toggle RE# to see the status register update.

While monitoring the status register for completion of a data transfer from the Flash array to the data register (R), the host must issue the READ MODE (00h) command to disable the status register and enable data output (see Read Operations).

The READ STATUS (70h) command returns the status of the most recently selected die (LUN). To prevent data contention during or following an interleaved die (multi-LUN) operation, the host must enable only one die (LUN) for status output by using the READ STATUS ENHANCED (78h) command (see Interleaved Die (Multi-LUN) Operations).

**Table 21: Status Register Definition**

SR Bit	Program Page	Program Page Cache Mode	Page Read	Page Read Cache Mode	Block Erase	Description
7	Write protect	Write protect	Write protect	Write protect	Write protect	0 = Protected 1 = Not protected
6	RDY	RDY cache	RDY	RDY cache	RDY	0 = Busy (PROGRAM operation in progress) 1 = Ready (Cache can accept data; R/B# follows)
5	ARDY	ARDY	ARDY	ARDY	ARDY	0 = Busy (PROGRAM operation in progress) 1 = Ready (Internal operations completed, if cache mode is used)
4	0	0	ECC status <sup>1</sup>	ECC status (N-1) <sup>1</sup>	0	00 = Normal or uncorrectable
3	0	0			0	01 = 4~6 10 = 1~3 11 = 7~8 (Rewrite recommended)
2	-	-	-	-	-	Don't Care
1	FAILC (N-1)	FAILC (N-1)	Reserved	-	-	0 = Pass 1 = Fail  This bit is valid only when RDY (SR bit 6) is 1. This bit retains the status of the previous valid program operation when the most recent program operation is complete.



Table 21: Status Register Definition (Continued)

SR Bit	Program Page	Program Page Cache Mode	Page Read	Page Read Cache Mode	Block Erase	Description
0	FAIL	FAIL (N)	FAIL <sup>2</sup>	FAIL (N-1)	FAIL	0 = Pass 1 = Fail  This bit is set if the most recent finished operation on the selected die (LUN) failed. This bit is valid only when ARDY (SR bit 5) is 1.

- Notes:
1. Bit = 11 when a rewrite is recommended because the page includes READ errors per sector (512-Byte [main] + 16-Byte [spare] + 16-Byte [parity]). When ECC is enabled, up to 7~8-bit error is corrected automatically.
  2. A status register bit defined as FAIL signifies that an uncorrectable READ error has occurred.

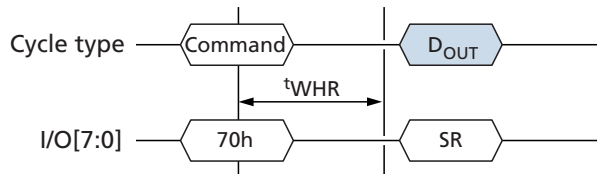
### READ STATUS (70h)

The READ STATUS (70h) command returns the status of the last-selected die (LUN) on a target. This command is accepted by the last-selected die (LUN) even when it is busy (RDY = 0).

If there is only one die (LUN) per target, the READ STATUS (70h) command can be used to return status following any NAND command.

In devices that have more than one die (LUN) per target, during and following interleaved die (multi-LUN) operations, the READ STATUS ENHANCED (78h) command must be used to select the die (LUN) that should report status. In this situation, using the READ STATUS (70h) command will result in bus contention, as two or more die (LUNs) could respond until the next operation is issued. The READ STATUS (70h) command can be used following all single die (LUN) operations.

Figure 27: READ STATUS (70h) Operation



### READ STATUS ENHANCED (78h)

The READ STATUS ENHANCED (78h) command returns the status of the addressed die (LUN) on a target even when it is busy (RDY = 0). This command is accepted by all die (LUNs), even when they are BUSY (RDY = 0).

Writing 78h to the command register, followed by row address cycles containing the page, block, and LUN addresses, puts the selected die (LUN) into read status mode. The selected die (LUN) stays in this mode until another valid command is issued. Die (LUNs) that are not addressed are deselected to avoid bus contention.





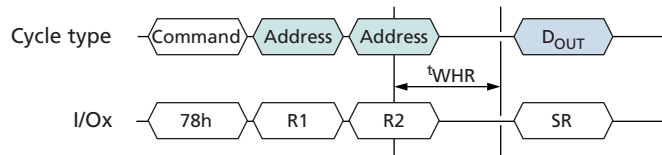
## 149-Ball NAND Flash with LPDDR4/LPDDR4X MCP Status Operations

The selected LUN's status is returned when the host requests data output. The RDY and ARDY bits of the status register are shared for all planes on the selected die (LUN). The FAILC and FAIL bits are specific to the plane specified in the row address.

The READ STATUS ENHANCED (78h) command also enables the selected die (LUN) for data output. To begin data output following a READ-series operation after the selected die (LUN) is ready (RDY = 1), issue the READ MODE (00h) command, then begin data output.

Use of the READ STATUS ENHANCED (78h) command is prohibited during the power-on RESET (FFh) command and when OTP mode is enabled. It is also prohibited following some of the other reset, identification, and configuration operations. See individual operations for specific details.

**Figure 28: READ STATUS ENHANCED (78h) Operation**





## Column Address Operations

The column address operations affect how data is input to and output from the cache registers within the selected die (LUNs). These features provide host flexibility for managing data, especially when the host internal buffer is smaller than the number of data bytes or words in the cache register.

When the asynchronous interface is active, column address operations can address any byte in the selected cache register.

### RANDOM DATA READ (05h-E0h)

The RANDOM DATA READ (05h-E0h) command changes the column address of the selected cache register and enables data output from the last selected die (LUN). This command is accepted by the selected die (LUN) when it is ready (RDY = 1; ARDY = 1). It is also accepted by the selected die (LUN) during CACHE READ operations (RDY = 1; ARDY = 0).

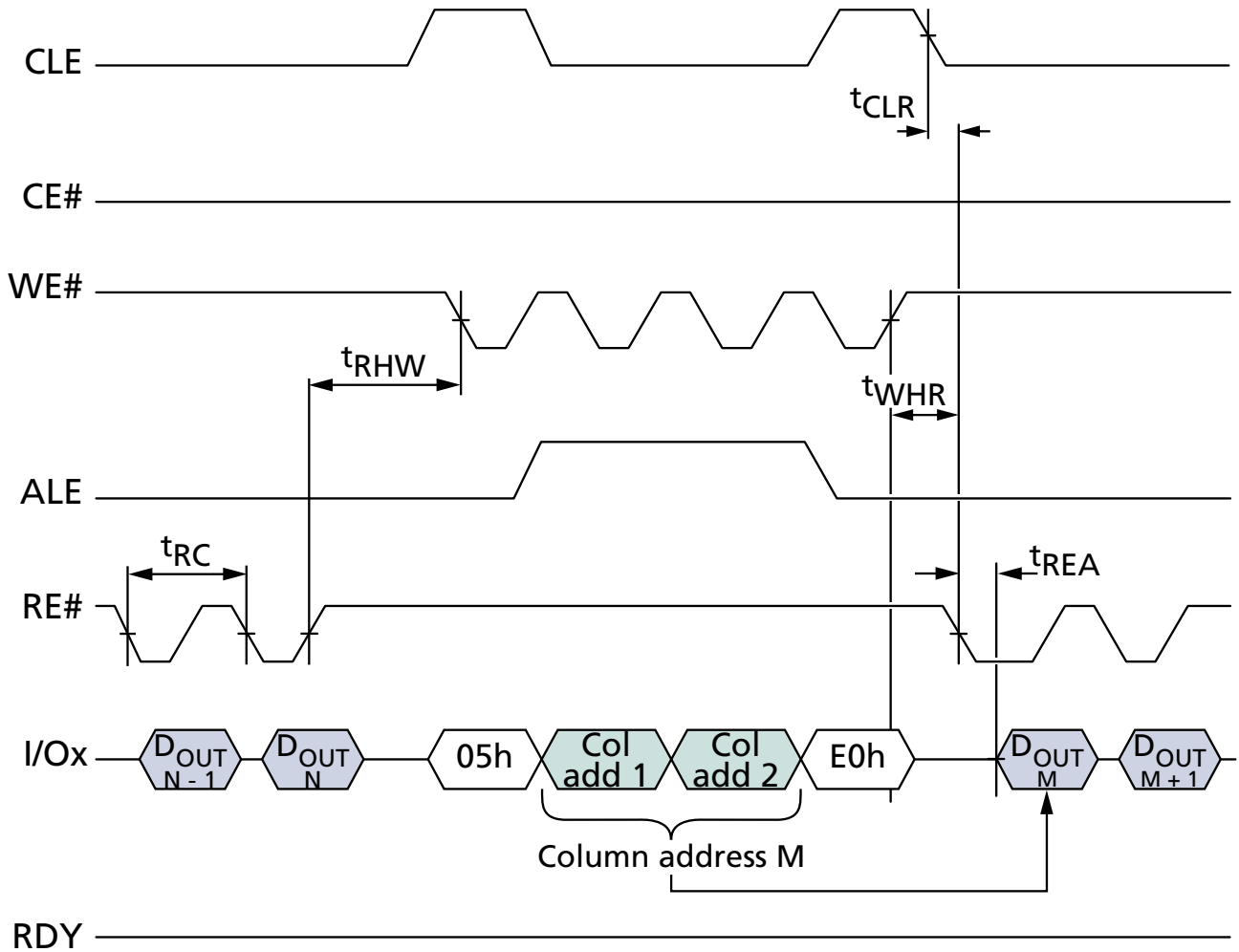
Writing 05h to the command register, followed by two column address cycles containing the column address, followed by the E0h command, puts the selected die (LUN) into data output mode. After the E0h command cycle is issued, the host must wait at least  $t_{WHR}$  before requesting data output. The selected die (LUN) stays in data output mode until another valid command is issued.

In devices with more than one die (LUN) per target, during and following interleaved die (multi-LUN) operations, the READ STATUS ENHANCED (78h) command must be issued prior to issuing the RANDOM DATA READ (05h-E0h). In this situation, using the RANDOM DATA READ (05h-E0h) command without the READ STATUS ENHANCED (78h) command will result in bus contention because two or more die (LUNs) could output data.



# 149-Ball NAND Flash with LPDDR4/LPDDR4X MCP Column Address Operations

Figure 29: RANDOM DATA READ (05h-E0h) Operation





### RANDOM DATA INPUT (85h)

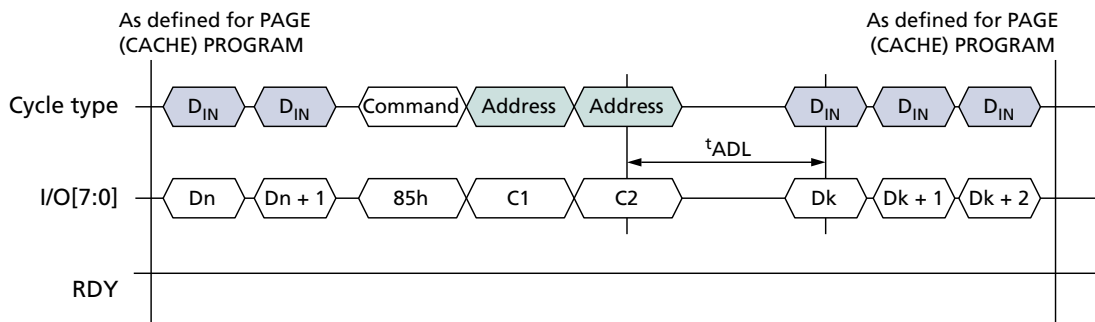
The RANDOM DATA INPUT (85h) command changes the column address of the selected cache register and enables data input on the last-selected die (LUN). This command is accepted by the selected die (LUN) when it is ready (RDY = 1; ARDY = 1). It is also accepted by the selected die (LUN) during cache program operations (RDY = 1; ARDY = 0).

Writing 85h to the command register, followed by two column address cycles containing the column address, puts the selected die (LUN) into data input mode. After the second address cycle is issued, the host must wait at least  $t_{ADL}$  before inputting data. The selected die (LUN) stays in data input mode until another valid command is issued. Though data input mode is enabled, data input from the host is optional. Data input begins at the column address specified.

The RANDOM DATA INPUT (85h) command is allowed after the required address cycles are specified, but prior to the final command cycle (10h, 11h, 15h) of the following commands while data input is permitted: PROGRAM PAGE (80h-10h), PROGRAM PAGE CACHE (80h-15h) and PROGRAM FOR INTERNAL DATA MOVE (85h-10h).

In devices that have more than one die (LUN) per target, the RANDOM DATA INPUT (85h) command can be used with other commands that support interleaved die (multi-LUN) operations.

Figure 30: RANDOM DATA INPUT (85h) Operation





### PROGRAM FOR INTERNAL DATA INPUT (85h)

The PROGRAM FOR INTERNAL DATA INPUT (85h) command changes the row address (block and page) where the cache register contents will be programmed in the NAND Flash array. It also changes the column address of the selected cache register and enables data input on the specified die (LUN). This command is accepted by the selected die (LUN) when it is ready (RDY = 1; ARDY = 1). It is also accepted by the selected die (LUN) during cache programming operations (RDY = 1; ARDY = 0).

Write 85h to the command register. Then write two column address cycles and row address cycles. This updates the page and block destination of the selected device for the addressed LUN and puts the cache register into data input mode. After the fifth address cycle is issued the host must wait at least  $t_{ADL}$  before inputting data. The selected LUN stays in data input mode until another valid command is issued. Though data input mode is enabled, data input from the host is optional. Data input begins at the column address specified.

The PROGRAM FOR INTERNAL DATA INPUT (85h) command is allowed after the required address cycles are specified, but prior to the final command cycle (10h, 11h, 15h) of the following commands while data input is permitted: PROGRAM PAGE (80h-10h), PROGRAM PAGE CACHE (80h-15h) and PROGRAM FOR INTERNAL DATA MOVE (85h-10h). When used with these commands, the LUN address and plane select bits are required to be identical to the LUN address and plane select bits originally specified.

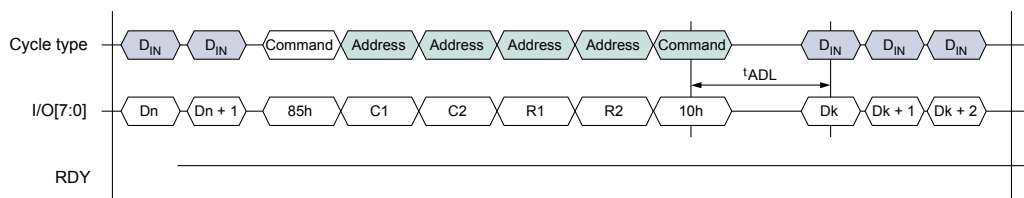
The PROGRAM FOR INTERNAL DATA INPUT (85h) command enables the host to modify the original page and block address for the data in the cache register to a new page and block address.

In devices that have more than one die (LUN) per target, the PROGRAM FOR INTERNAL DATA INPUT (85h) command can be used with other commands that support interleaved die (multi-LUN) operations.

The PROGRAM FOR INTERNAL DATA INPUT (85h) command can be used with the RANDOM DATA READ (05h-E0h) commands to read and modify cache register contents in small sections prior to programming cache register contents to the NAND Flash array. This capability can reduce the amount of buffer memory used in the host controller.

The RANDOM DATA INPUT (85h) command can be used during the PROGRAM FOR INTERNAL DATA MOVE command sequence to modify one or more bytes of the original data. First, data is copied into the cache register using the 00h-35h command sequence, then the RANDOM DATA INPUT (85h) command is written along with the address of the data to be modified next. New data is input on the external data pins. This copies the new data into the cache register.

Figure 31: PROGRAM FOR INTERNAL DATA INPUT (85h) Operation





## Read Operations

The READ PAGE (00h-30h) command, when issued by itself, reads one page from the NAND Flash array to its cache register and enables data output for that cache register.

During data output the following commands can be used to read and modify the data in the cache registers: RANDOM DATA READ (05h-E0h) and RANDOM DATA INPUT (85h).

### Read Cache Operations

To increase data throughput, the READ PAGE CACHE series (31h, 00h-31h) commands can be used to output data from the cache register while concurrently copying a page from the NAND Flash array to the data register.

To begin a read page cache sequence, begin by reading a page from the NAND Flash array to its corresponding cache register using the READ PAGE (00h-30h) command. R/B# goes LOW during <sup>t</sup>R and the selected die (LUN) is busy (RDY = 0, ARDY = 0). After <sup>t</sup>R (R/B# is HIGH and RDY = 1, ARDY = 1), issue either of these commands:

- READ PAGE CACHE SEQUENTIAL (31h) – copies the next sequential page from the NAND Flash array to the data register
- READ PAGE CACHE RANDOM (00h-31h) – copies the page specified in this command from the NAND Flash array to its corresponding data register

After the READ PAGE CACHE series (31h, 00h-31h) command has been issued, R/B# goes LOW on the target, and RDY = 0 and ARDY = 0 on the die (LUN) for <sup>t</sup>RCBSY while the next page begins copying data from the array to the data register. After <sup>t</sup>RCBSY, R/B# goes HIGH and the die's (LUN's) status register bits indicate the device is busy with a cache operation (RDY = 1, ARDY = 0). The cache register becomes available and the page requested in the READ PAGE CACHE operation is transferred to the data register. At this point, data can be output from the cache register, beginning at column address 0. The RANDOM DATA READ (05h-E0h) command can be used to change the column address of the data output by the die (LUN).

After outputting the desired number of bytes from the cache register, either an additional READ PAGE CACHE series (31h, 00h-31h) operation can be started or the READ PAGE CACHE LAST (3Fh) command can be issued.

If the READ PAGE CACHE LAST (3Fh) command is issued, R/B# goes LOW on the target, and RDY = 0 and ARDY = 0 on the die (LUN) for <sup>t</sup>RCBSY while the data register is copied into the cache register. After <sup>t</sup>RCBSY, R/B# goes HIGH and RDY = 1 and ARDY = 1, indicating that the cache register is available and that the die (LUN) is ready. Data can then be output from the cache register, beginning at column address 0. The RANDOM DATA READ (05h-E0h) command can be used to change the column address of the data being output.

For READ PAGE CACHE series (31h, 00h-31h, 3Fh), during the die (LUN) busy time, <sup>t</sup>RCBSY, when RDY = 0 and ARDY = 0, the only valid commands are status operations (70h, 78h) and RESET (FFh). When RDY = 1 and ARDY = 0, the only valid commands during READ PAGE CACHE series (31h, 00h-31h) operations are status operations (70h, 78h), READ MODE (00h), READ PAGE CACHE series (31h, 00h-31h), RANDOM DATA READ (05h-E0h), and RESET (FFh).



## READ MODE (00h)

The READ MODE (00h) command disables status output and enables data output for the last-selected die (LUN) and cache register after a READ operation (00h-30h, 00h-3Ah, 00h-35h) has been monitored with a status operation (70h, 78h). This command is accepted by the die (LUN) when it is ready (RDY = 1, ARDY = 1). It is also accepted by the die (LUN) during READ PAGE CACHE (31h, 00h-31h) operations (RDY = 1 and ARDY = 0).

In devices that have more than one die (LUN) per target, during and following interleaved die (multi-LUN) operations, the READ STATUS ENHANCED (78h) command must be used to select only one die (LUN) prior to issuing the READ MODE (00h) command. This prevents bus contention.

## READ PAGE (00h-30h)

The READ PAGE (00h-30h) command copies a page from the NAND Flash array to its respective cache register and enables data output. This command is accepted by the die (LUN) when it is ready (RDY = 1, ARDY = 1).

To read a page from the NAND Flash array, write the 00h command to the command register, then write  $n$  address cycles to the address registers, and conclude with the 30h command. The selected die (LUN) will go busy (RDY = 0, ARDY = 0) for  $t_R$  as data is transferred.

To determine the progress of the data transfer, the host can monitor the target's R/B# signal or, alternatively, the status operations (70h, 78h) can be used. If the status operations are used to monitor the LUN's status, when the die (LUN) is ready (RDY = 1, ARDY = 1), the host disables status output and enables data output by issuing the READ MODE (00h) command. When the host requests data output, output begins at the column address specified.

During data output the RANDOM DATA READ (05h-E0h) command can be issued.

When internal ECC is enabled, the READ STATUS (70h) command is required after the completion of the data transfer ( $t_{R\_ECC}$ ) to determine whether an uncorrectable read error occurred. ( $t_{R\_ECC}$  is the data transferred with internal ECC enabled.)

In devices that have more than one die (LUN) per target, during and following interleaved die (multi-LUN) operations the READ STATUS ENHANCED (78h) command must be used to select only one die (LUN) prior to the issue of the READ MODE (00h) command. This prevents bus contention.

Figure 32: READ PAGE (00h-30h) Operation

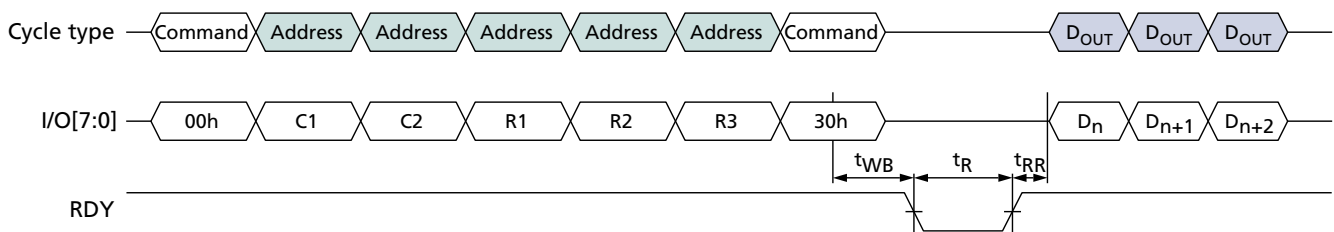
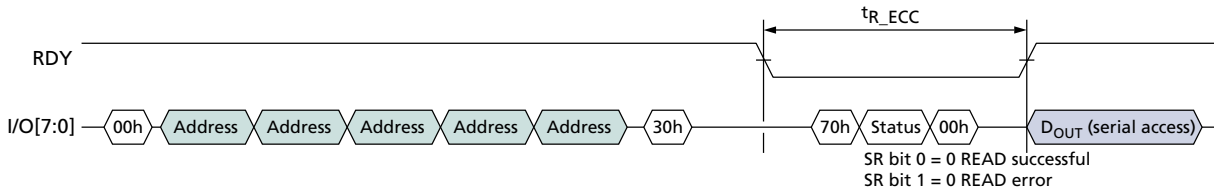




Figure 33: READ PAGE (00h-30h) Operation with Internal ECC Enabled



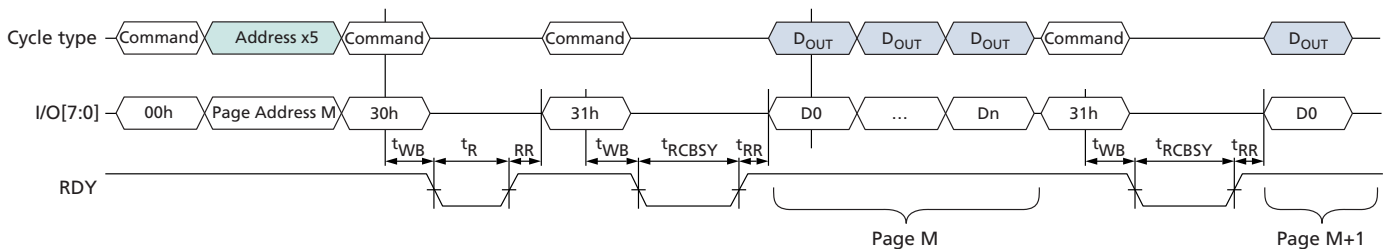
### READ PAGE CACHE SEQUENTIAL (31h)

The READ PAGE CACHE SEQUENTIAL (31h) command reads the next sequential page within a block into the data register while the previous page is output from the cache register. This command is accepted by the die (LUN) when it is ready (RDY = 1, ARDY = 1). It is also accepted by the die (LUN) during READ PAGE CACHE (31h, 00h-31h) operations (RDY = 1 and ARDY = 0).

To issue this command, write 31h to the command register. After this command is issued, R/B# goes LOW and the die (LUN) is busy (RDY = 0, ARDY = 0) for  $t_{RCBSY}$ . After  $t_{RCBSY}$ , R/B# goes HIGH and the die (LUN) is busy with a cache operation (RDY = 1, ARDY = 0), indicating that the cache register is available and that the specified page is copying from the NAND Flash array to the data register. At this point, data can be output from the cache register beginning at column address 0. The RANDOM DATA READ (05h-E0h) command can be used to change the column address of the data being output from the cache register.

The READ PAGE CACHE SEQUENTIAL (31h) command can be used to cross block boundaries. If the READ PAGE CACHE SEQUENTIAL (31h) command is issued after the last page of a block is read into the data register, the next page read will be the next logical block in which the 31h command was issued. Do not issue the READ PAGE CACHE SEQUENTIAL (31h) to cross die (LUN) boundaries. Instead, issue the READ PAGE CACHE LAST (3Fh) command.

Figure 34: READ PAGE CACHE SEQUENTIAL (31h) Operation







### READ PAGE CACHE RANDOM (00h-31h)

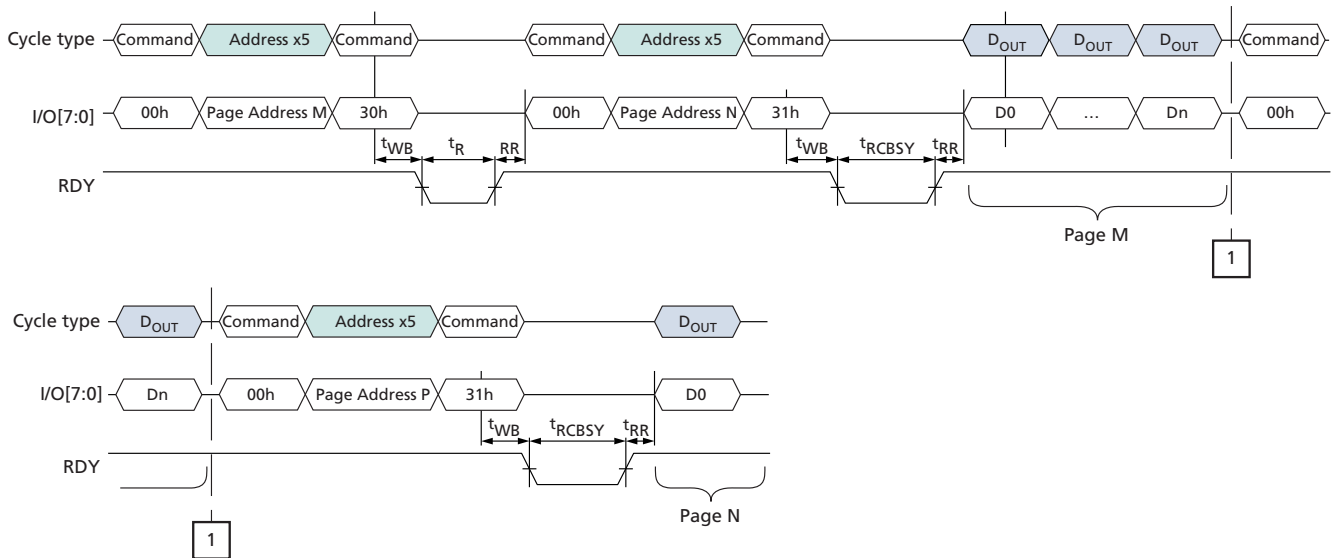
The READ PAGE CACHE RANDOM (00h-31h) command reads the specified block and page into the data register while the previous page is output from the cache register. This command is accepted by the die (LUN) when it is ready (RDY = 1, ARDY = 1). It is also accepted by the die (LUN) during READ PAGE CACHE (31h, 00h-31h) operations (RDY = 1 and ARDY = 0).

To issue this command, write 00h to the command register, then write  $n$  address cycles to the address register, and conclude by writing 31h to the command register. The column address in the address specified is ignored. The die (LUN) address must match the same die (LUN) address as the previous READ PAGE (00h-30h) command or, if applicable, the previous READ PAGE CACHE RANDOM (00h-31h) command.

After this command is issued, R/B# goes LOW and the die (LUN) is busy (RDY = 0, ARDY = 0) for  $t_{RCBSY}$ . After  $t_{RCBSY}$ , R/B# goes HIGH and the die (LUN) is busy with a cache operation (RDY = 1, ARDY = 0), indicating that the cache register is available and that the specified page is copying from the NAND Flash array to the data register. At this point, data can be output from the cache register beginning at column address 0. The RANDOM DATA READ (05h-E0h) command can be used to change the column address of the data being output from the cache register.

In devices that have more than one die (LUN) per target, during and following interleaved die (multi-LUN) operations the READ STATUS ENHANCED (78h) command followed by the READ MODE (00h) command must be used to select only one die (LUN) and prevent bus contention.

Figure 35: READ PAGE CACHE RANDOM (00h-31h) Operation





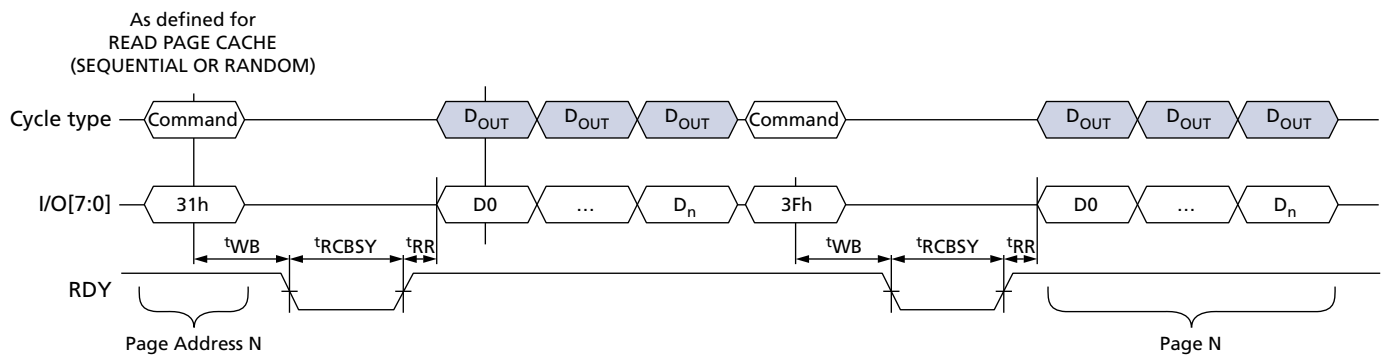
### READ PAGE CACHE LAST (3Fh)

The READ PAGE CACHE LAST (3Fh) command ends the read page cache sequence and copies a page from the data register to the cache register. This command is accepted by the die (LUN) when it is ready (RDY = 1, ARDY = 1). It is also accepted by the die (LUN) during READ PAGE CACHE (31h, 00h-31h) operations (RDY = 1 and ARDY = 0).

To issue the READ PAGE CACHE LAST (3Fh) command, write 3Fh to the command register. After this command is issued, R/B# goes LOW and the die (LUN) is busy (RDY = 0, ARDY = 0) for  $t_{RCBSY}$ . After  $t_{RCBSY}$ , R/B# goes HIGH and the die (LUN) is ready (RDY = 1, ARDY = 1). At this point, data can be output from the cache register, beginning at column address 0. The RANDOM DATA READ (05h-E0h) command can be used to change the column address of the data being output from the cache register.

In devices that have more than one LUN per target, during and following interleaved die (multi-LUN) operations the READ STATUS ENHANCED (78h) command followed by the READ MODE (00h) command must be used to select only one die (LUN) and prevent bus contention.

**Figure 36: READ PAGE CACHE LAST (3Fh) Operation**





## Program Operations

Program operations are used to move data from the cache or data registers to the NAND array. During a program operation the contents of the cache and/or data registers are modified by the internal control logic.

Within a block, pages must be programmed sequentially from the least significant page address to the most significant page address (0, 1, 2, ....., 63). During a program operation, the contents of the cache and/or data registers are modified by the internal control logic.

### Program Operations

The PROGRAM PAGE (80h-10h) command programs one page from the cache register to the NAND Flash array. When the die (LUN) is ready (RDY = 1, ARDY = 1), the host should check the FAIL bit to verify that the operation has completed successfully.

### Program Cache Operations

The PROGRAM PAGE CACHE (80h-15h) command can be used to improve program operation system performance. When this command is issued, the die (LUN) goes busy (RDY = 0, ARDY = 0) while the cache register contents are copied to the data register, and the die (LUN) is busy with a PROGRAM CACHE operation (RDY = 1, ARDY = 0). While the contents of the data register are moved to the NAND Flash array, the cache register is available for an additional PROGRAM PAGE CACHE (80h-15h) or PROGRAM PAGE (80h-10h) command.

For PROGRAM PAGE CACHE series (80h-15h) operations, during the die (LUN) busy times, <sup>t</sup>CBSY and <sup>t</sup>LPROG, when RDY = 0 and ARDY = 0, the only valid commands are status operations (70h, 78h) and reset (FFh). When RDY = 1 and ARDY = 0, the only valid commands during PROGRAM PAGE CACHE series (80h-15h) operations are status operations (70h, 78h), PROGRAM PAGE CACHE (80h-15h), PROGRAM PAGE (80h-10h), RANDOM DATA INPUT (85h), PROGRAM FOR INTERNAL DATA INPUT (85h), and RESET (FFh).

## PROGRAM PAGE (80h-10h)

The PROGRAM PAGE (80h-10h) command enables the host to input data to a cache register, and moves the data from the cache register to the specified block and page address in the array of the selected die (LUN). This command is accepted by the die (LUN) when it is ready (RDY = 1, ARDY = 1). It is also accepted by the die (LUN) when it is busy with a PROGRAM PAGE CACHE (80h-15h) operation (RDY = 1, ARDY = 0).

To input a page to the cache register and move it to the NAND array at the block and page address specified, write 80h to the command register. Issuing the 80h to the command register clears all of the cache registers' contents on the selected target. Then write *n* address cycles containing the column address and row address. Data input cycles follow. Serial data is input beginning at the column address specified. At any time during the data input cycle the RANDOM DATA INPUT (85h) and PROGRAM FOR INTERNAL DATA INPUT (85h) commands may be issued. When data input is complete, write 10h to the command register. The selected LUN will go busy (RDY = 0, ARDY = 0) for <sup>t</sup>LPROG as data is transferred.

To determine the progress of the data transfer, the host can monitor the target's R/B# signal or, alternatively, the status operations (70h, 78h) may be used. When the die (LUN) is ready (RDY = 1, ARDY = 1), the host should check the status of the FAIL bit.

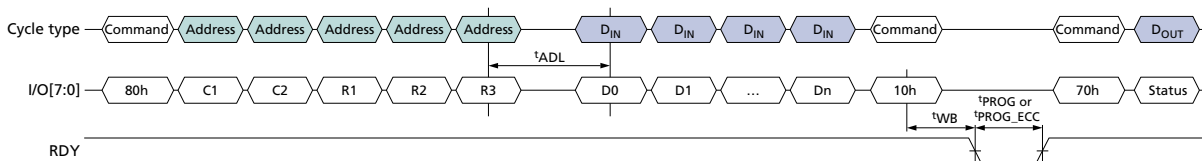


## 149-Ball NAND Flash with LPDDR4/LPDDR4X MCP Program Operations

In devices that have more than one die (LUN) per target, during and following interleaved die (multi-LUN) operations, the READ STATUS ENHANCED (78h) command must be used to select only one die (LUN) for status output. Use of the READ STATUS (70h) command could cause more than one die (LUN) to respond, resulting in bus contention.

When internal ECC is enabled, the duration of array programming time is  $t^{\text{PROG\_ECC}}$ . During  $t^{\text{PROG\_ECC}}$ , the internal ECC generates parity bits when error detection is complete.

**Figure 37: PROGRAM PAGE (80h-10h) Operation**



### PROGRAM PAGE CACHE (80h-15h)

The PROGRAM PAGE CACHE (80h-15h) command enables the host to input data to a cache register; copies the data from the cache register to the data register; then moves the data register contents to the specified block and page address in the array of the selected die (LUN). After the data is copied to the data register, the cache register is available for additional PROGRAM PAGE CACHE (80h-15h) or PROGRAM PAGE (80h-10h) commands. The PROGRAM PAGE CACHE (80h-15h) command is accepted by the die (LUN) when it is ready (RDY = 1, ARDY = 1). It is also accepted by the die (LUN) when busy with a PROGRAM PAGE CACHE (80h-15h) operation (RDY = 1, ARDY = 0).

To input a page to the cache register to move it to the NAND array at the block and page address specified, write 80h to the command register. Issuing the 80h to the command register clears all of the cache registers' contents on the selected target. Then write  $n$  address cycles containing the column address and row address. Data input cycles follow. Serial data is input beginning at the column address specified. At any time during the data input cycle the RANDOM DATA INPUT (85h) and PROGRAM FOR INTERNAL DATA INPUT (85h) commands may be issued. When data input is complete, write 15h to the command register. The selected LUN will go busy (RDY = 0, ARDY = 0) for  $t^{\text{CBSY}}$  to allow the data register to become available from a previous program cache operation, to copy data from the cache register to the data register, and then to begin moving the data register contents to the specified page and block address.

To determine the progress of  $t^{\text{CBSY}}$ , the host can monitor the target's R/B# signal or, alternatively, the status operations (70h, 78h) can be used. When the LUN's status shows that it is busy with a PROGRAM CACHE operation (RDY = 1, ARDY = 0), the host should check the status of the FAILC bit to see if a previous cache operation was successful.

If, after  $t^{\text{CBSY}}$ , the host wants to wait for the PROGRAM CACHE operation to complete, without issuing the PROGRAM PAGE (80h-10h) command, the host should monitor ARDY until it is 1. The host should then check the status of the FAIL and FAILC bits.

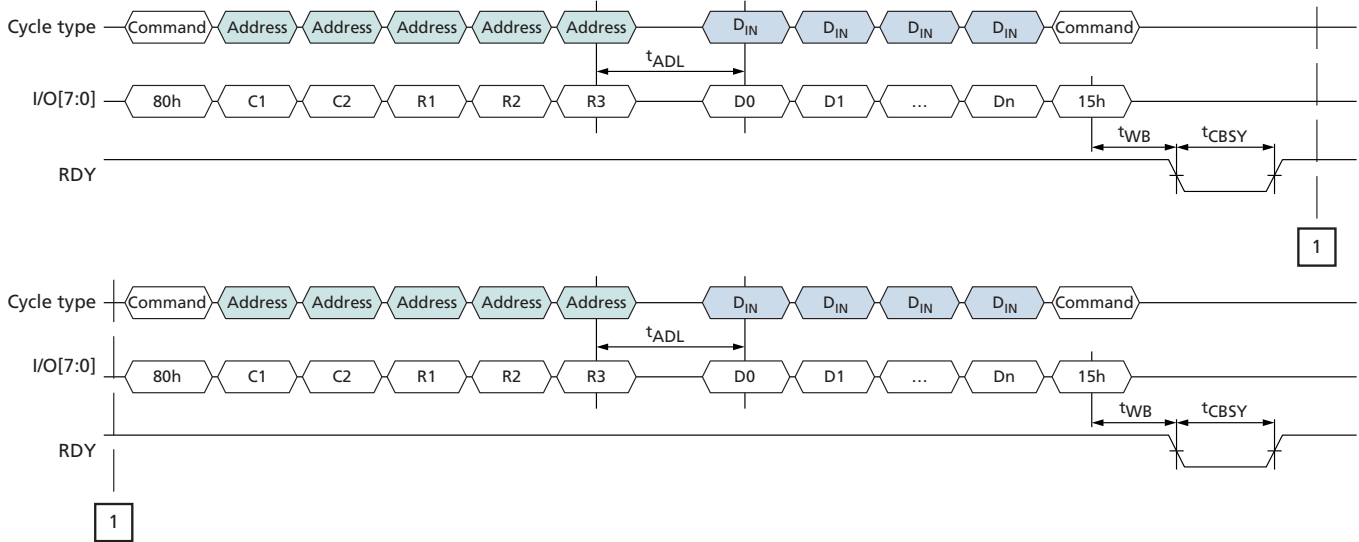
In devices with more than one die (LUN) per target, during and following interleaved die (multi-LUN) operations, the READ STATUS ENHANCED (78h) command must be



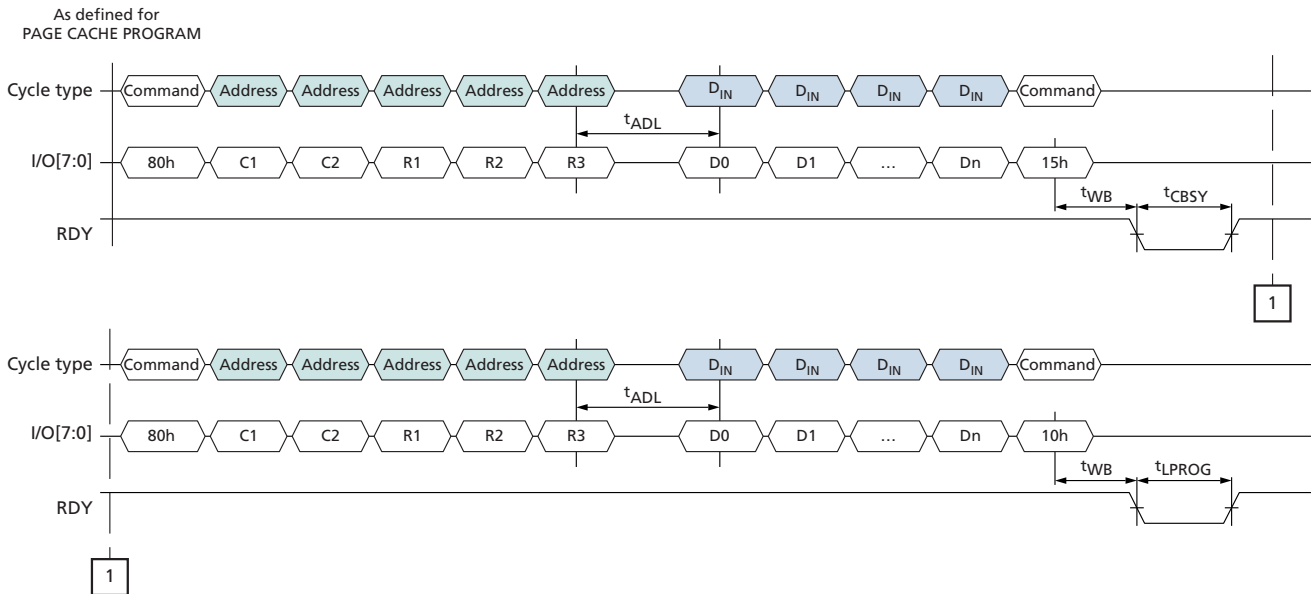
# 149-Ball NAND Flash with LPDDR4/LPDDR4X MCP Program Operations

used to select only one die (LUN) for status output. Use of the READ STATUS (70h) command could cause more than one die (LUN) to respond, resulting in bus contention.

**Figure 38: PROGRAM PAGE CACHE (80h–15h) Operation (Start)**



**Figure 39: PROGRAM PAGE CACHE (80h–15h) Operation (End)**





## Erase Operations

Erase operations are used to clear the contents of a block in the NAND Flash array to prepare its pages for program operations.

### Erase Operations

The ERASE BLOCK (60h-D0h) command, erases one block in the NAND Flash array. When the die (LUN) is ready (RDY = 1, ARDY = 1), the host should check the FAIL bit to verify that this operation completed successfully.

### ERASE BLOCK (60h-D0h)

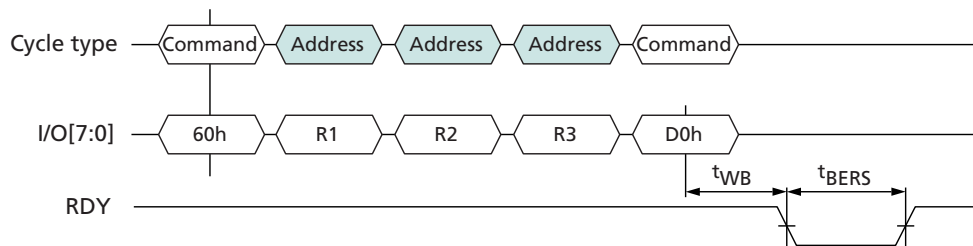
The ERASE BLOCK (60h-D0h) command erases the specified block in the NAND Flash array. This command is accepted by the die (LUN) when it is ready (RDY = 1, ARDY = 1).

To erase a block, write 60h to the command register. Then write three address cycles containing the row address; the page address is ignored. Conclude by writing D0h to the command register. The selected die (LUN) will go busy (RDY = 0, ARDY = 0) for  $t_{BERS}$  while the block is erased.

To determine the progress of an ERASE operation, the host can monitor the target's R/B# signal, or alternatively, the status operations (70h, 78h) can be used. When the die (LUN) is ready (RDY = 1, ARDY = 1) the host should check the status of the FAIL bit.

In devices that have more than one die (LUN) per target, during and following interleaved die (multi-LUN) operations, the READ STATUS ENHANCED (78h) command must be used to select only one die (LUN) for status output. Use of the READ STATUS (70h) command could cause more than one die (LUN) to respond, resulting in bus contention.

Figure 40: ERASE BLOCK (60h-D0h) Operation





## Internal Data Move Operations

Internal data move operations make it possible to transfer data within a device from one page to another, on the same plane, using the cache register. This is particularly useful for block management and wear leveling.

It is not possible to use the READ FOR INTERNAL DATA MOVE operation to move data from one die (LUN) to another. Instead, use a READ PAGE (00h-30h) or READ FOR INTERNAL DATA MOVE (00h-35h) command to read the data out of the NAND, and then use a PROGRAM PAGE (80h-10h) command with data input to program the data to a new die (LUN).

Between the READ FOR INTERNAL DATA MOVE (00h-35h) and PROGRAM FOR INTERNAL DATA MOVE (85h-10h) commands, the following commands are supported: status operations (70h, 78h) and column address operations (05h-E0h, 06h-E0h, 85h). The RESET operation (FFh) can be issued after READ FOR INTERNAL DATA MOVE (00h-35h), but the contents of the cache registers on the target are not valid.

In devices that have more than one die (LUN) per target, once the READ FOR INTERNAL DATA MOVE (00h-35h) is issued, interleaved die (multi-LUN) operations are prohibited until after the PROGRAM FOR INTERNAL DATA MOVE (85h-10h) command is issued.

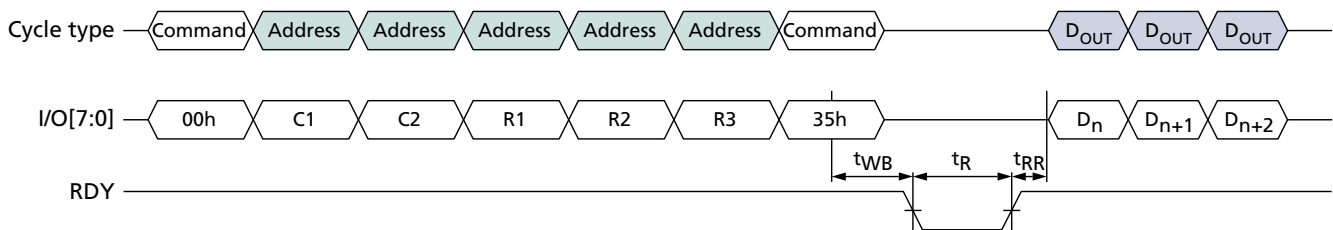
### READ FOR INTERNAL DATA MOVE (00h-35h)

The READ FOR INTERNAL DATA MOVE (00h-35h) command is functionally identical to the READ PAGE (00h-30h) command, except that 35h is written to the command register instead of 30h.

Though it is not required, it is recommended that the host read the data out of the device to verify the data prior to issuing the PROGRAM FOR INTERNAL DATA MOVE (85h-10h) command to prevent the propagation of data errors.

If internal ECC is enabled, the data does not need to be toggled out by the host to be corrected and moving data can then be written to a new page without data reloading, which improves system performance.

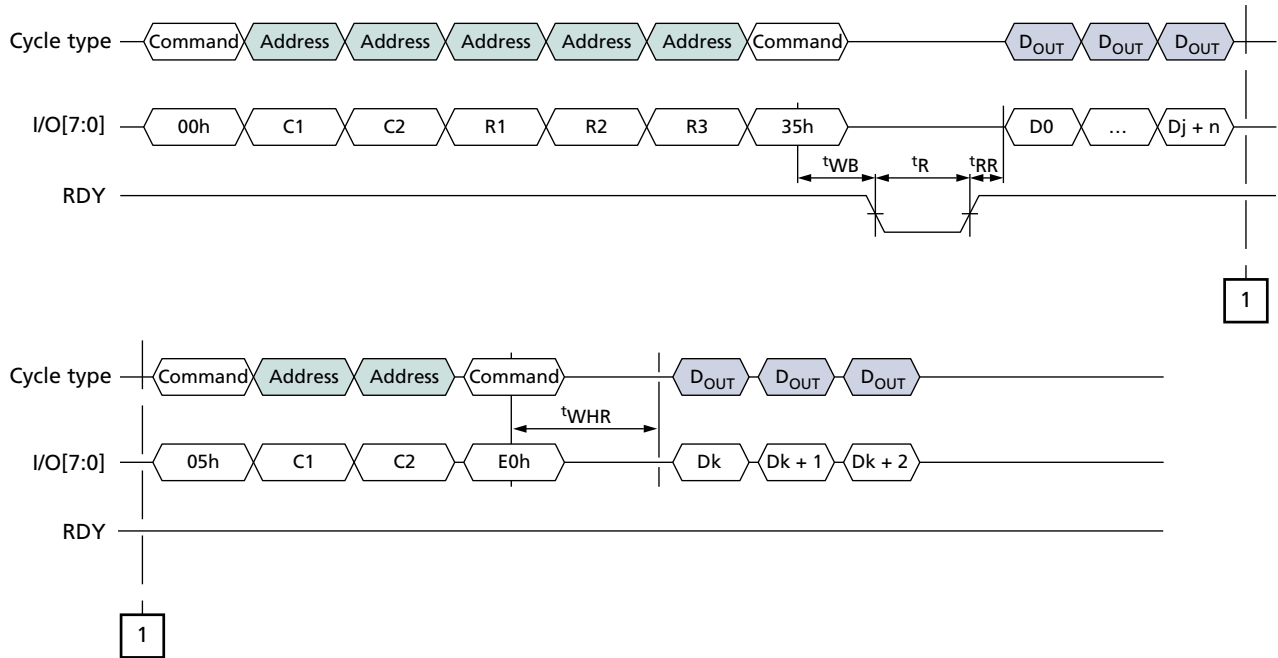
Figure 41: READ FOR INTERNAL DATA MOVE (00h-35h) Operation



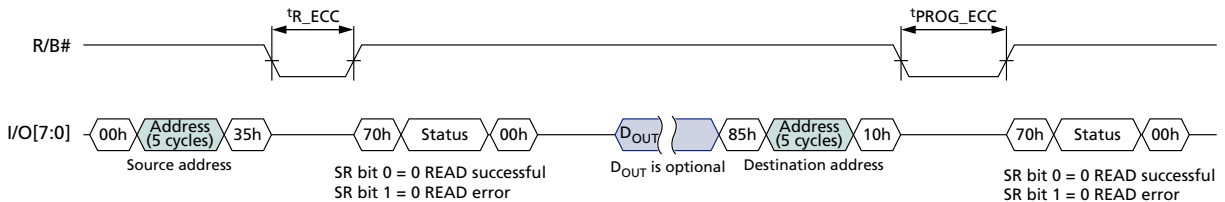


# 149-Ball NAND Flash with LPDDR4/LPDDR4X MCP Internal Data Move Operations

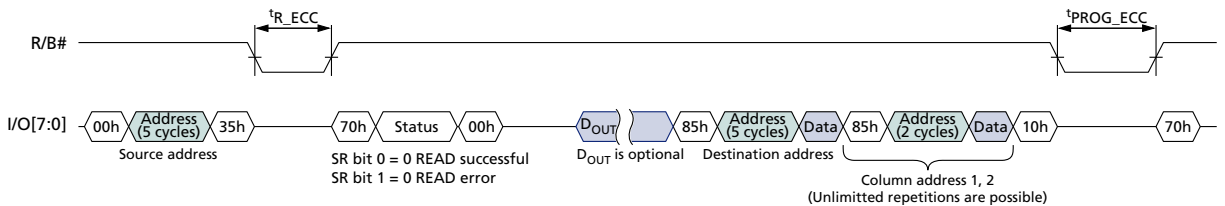
**Figure 42: READ FOR INTERNAL DATA MOVE (00h–35h) with RANDOM DATA READ (05h–E0h)**



**Figure 43: INTERNAL DATA MOVE (85h-10h) with Internal ECC Enabled**



**Figure 44: INTERNAL DATA MOVE (85h-10h) with RANDOM DATA INPUT with Internal ECC Enabled**



## PROGRAM FOR INTERNAL DATA MOVE (85h–10h)

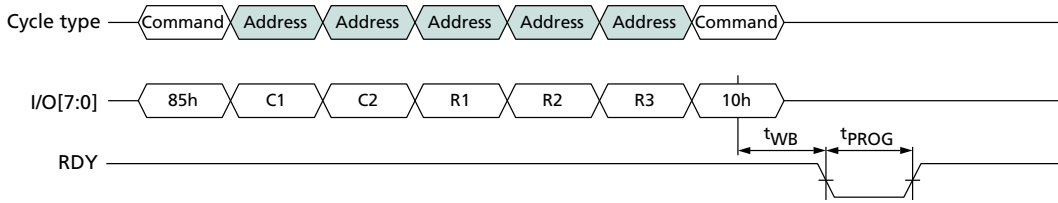
The PROGRAM FOR INTERNAL DATA MOVE (85h-10h) command is functionally identical to the PROGRAM PAGE (80h-10h) command, except that when 85h is written to the command register, cache register contents are not cleared.



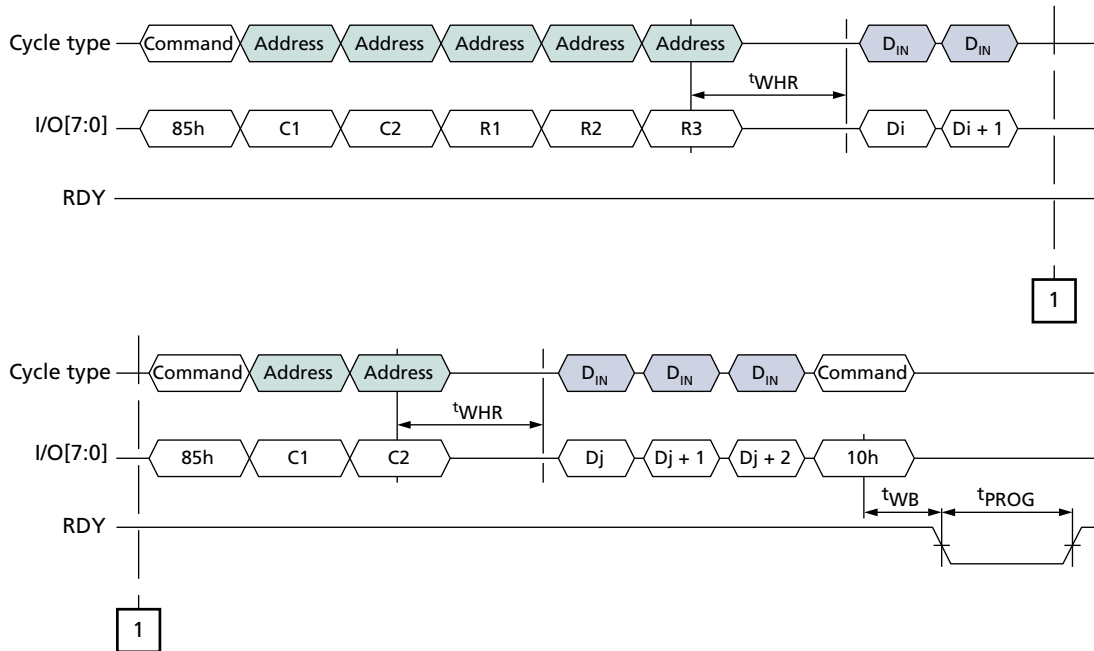


# 149-Ball NAND Flash with LPDDR4/LPDDR4X MCP Internal Data Move Operations

**Figure 45: PROGRAM FOR INTERNAL DATA MOVE (85h-10h) Operation**



**Figure 46: PROGRAM FOR INTERNAL DATA MOVE (85h-10h) with RANDOM DATA INPUT (85h)**





## Block Lock Feature

The block lock feature protects either the entire device or ranges of blocks from being programmed and erased. Using the block lock feature is preferable to using WP# to prevent PROGRAM and ERASE operations.

Block lock is enabled and disabled at power-on through the LOCK pin. At power-on, if LOCK is LOW, all BLOCK LOCK commands are disabled. However if LOCK is HIGH at power-on, the BLOCK LOCK commands are enabled and, by default, all the blocks on the device are protected, or locked, from PROGRAM and ERASE operations, even if WP# is HIGH.

Before the contents of the device can be modified, the device must first be unlocked. Either a range of blocks or the entire device may be unlocked. PROGRAM and ERASE operations complete successfully only in the block ranges that have been unlocked. Blocks, once unlocked, can be locked again to protect them from further PROGRAM and ERASE operations.

Blocks that are locked can be protected further, or locked tight. When locked tight, the device's blocks can no longer be locked or unlocked.

## WP# and Block Lock

The following is true when the block lock feature is enabled:

- Holding WP# LOW locks all blocks, provided the blocks are not locked tight.
- If WP# is held LOW to lock blocks, then returned to HIGH, a new UNLOCK command must be issued to unlock blocks.

## UNLOCK (23h-24h)

By default at power-on, if LOCK is HIGH, all the blocks are locked and protected from PROGRAM and ERASE operations. The UNLOCK (23h) command is used to unlock a range of blocks. Unlocked blocks have no protection and can be programmed or erased.

The UNLOCK command uses two registers, a lower boundary block address register and an upper boundary block address register, and the invert area bit to determine what range of blocks are unlocked. When the invert area bit = 0, the range of blocks within the lower and upper boundary address registers are unlocked. When the invert area bit = 1, the range of blocks outside the boundaries of the lower and upper boundary address registers are unlocked. The lower boundary block address must be less than the upper boundary block address. The figures below show examples of how the lower and upper boundary address registers work with the invert area bit.

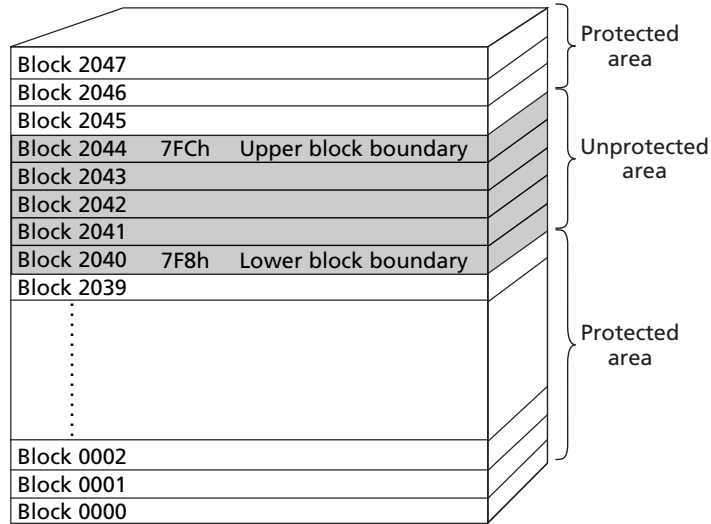
To unlock a range of blocks, issue the UNLOCK (23h) command followed by the appropriate address cycles that indicate the lower boundary block address. Then issue the 24h command followed by the appropriate address cycles that indicate the upper boundary block address. The least significant page address bit, PA0, should be set to 1 if setting the invert area bit; otherwise, it should be 0. The other page address bits should be 0.

Only one range of blocks can be specified in the lower and upper boundary block address registers. If after unlocking a range of blocks the UNLOCK command is again issued, the new block address range determines which blocks are unlocked. The previous unlocked block address range is not retained.

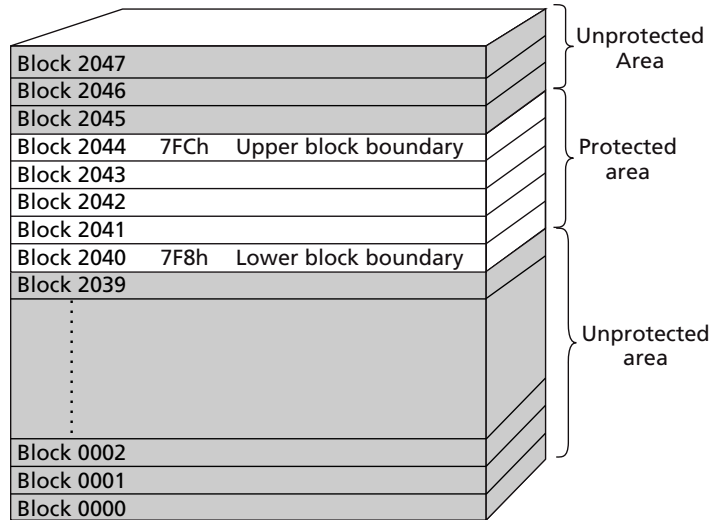


# 149-Ball NAND Flash with LPDDR4/LPDDR4X MCP Block Lock Feature

**Figure 47: Flash Array Protected: Invert Area Bit = 0**



**Figure 48: Flash Array Protected: Invert Area Bit = 1**



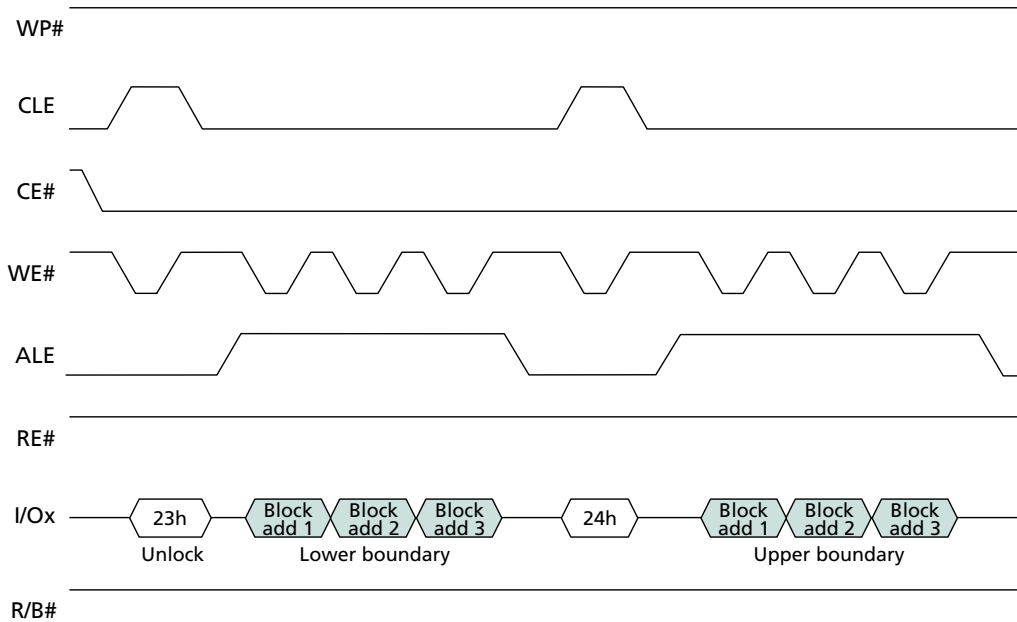
**Table 22: Block Lock Address Cycle Assignments**

ALE Cycle	I/O[15:8] <sup>1</sup>	I/O7	I/O6	I/O5	I/O4	I/O3	I/O2	I/O1	I/O0
First	LOW	BA7	BA6	LOW	LOW	LOW	LOW	LOW	Invert area bit <sup>2</sup>
Second	LOW	BA15	BA14	BA13	BA12	BA11	BA10	BA9	BA8
Third	LOW	LOW	LOW	LOW	LOW	LOW	LOW	BA17	BA16

- Notes: 1. I/O[15:8] is applicable only for x16 devices.  
 2. Invert area bit is applicable for 24h command; it may be LOW or HIGH for 23h command.



Figure 49: UNLOCK Operation



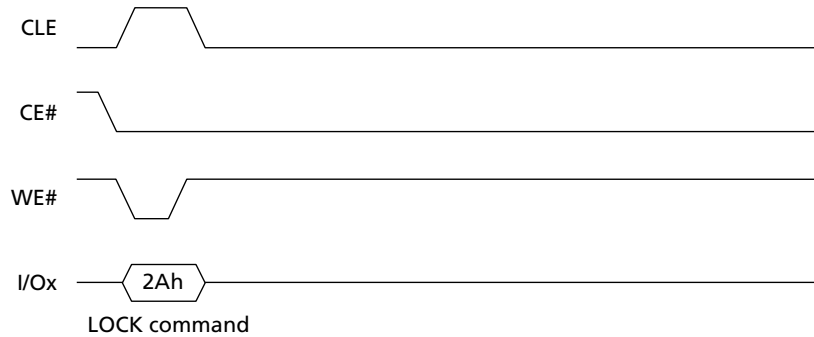
## LOCK (2Ah)

By default at power-on, if LOCK is HIGH, all the blocks are locked and protected from PROGRAM and ERASE operations. If portions of the device are unlocked using the UNLOCK (23h) command, they can be locked again using the LOCK (2Ah) command. The LOCK command locks all of the blocks in the device. Locked blocks are write-protected from PROGRAM and ERASE operations.

To lock all of the blocks in the device, issue the LOCK (2Ah) command.

When a PROGRAM or ERASE operation is issued to a locked block, R/B# goes LOW for t<sub>LBSY</sub>. The PROGRAM or ERASE operation does not complete. Any READ STATUS command reports bit 7 as 0, indicating that the block is protected.

The LOCK (2Ah) command is disabled if LOCK is LOW at power-on or if the device is locked tight.


**Figure 50: LOCK Operation**


## LOCK TIGHT (2Ch)

The LOCK TIGHT (2Ch) command prevents locked blocks from being unlocked and also prevents unlocked blocks from being locked. When this command is issued, the UNLOCK (23h) and LOCK (2Ah) commands are disabled. This provides an additional level of protection against inadvertent PROGRAM and ERASE operations to locked blocks.

To implement LOCK TIGHT in all of the locked blocks in the device, verify that WP# is HIGH and then issue the LOCK TIGHT (2Ch) command.

When a PROGRAM or ERASE operation is issued to a locked block that has also been locked tight, R/B# goes LOW for  $t_{LBSY}$ . The PROGRAM or ERASE operation does not complete. The READ STATUS (70h) command reports bit 7 as 0, indicating that the block is protected. PROGRAM and ERASE operations complete successfully to blocks that were not locked at the time the LOCK TIGHT command was issued.

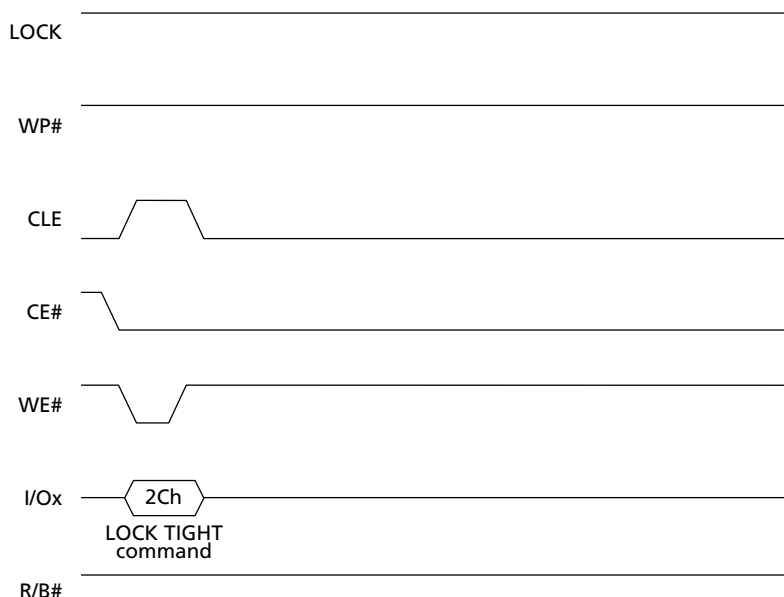
After the LOCK TIGHT command is issued, the command cannot be disabled via a software command. Lock tight status can be disabled only by power cycling the device or toggling WP#. When the lock tight status is disabled, all of the blocks become locked, the same as if the LOCK (2Ah) command had been issued.

The LOCK TIGHT (2Ch) command is disabled if LOCK is LOW at power-on.

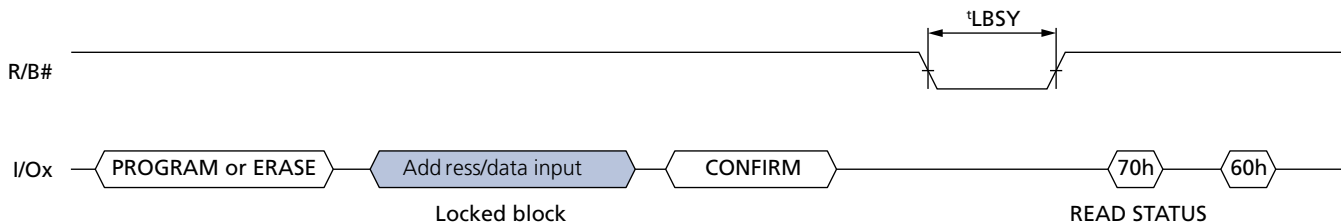


# 149-Ball NAND Flash with LPDDR4/LPDDR4X MCP Block Lock Feature

**Figure 51: LOCK TIGHT Operation**



**Figure 52: PROGRAM/ERASE Issued to Locked Block**



## BLOCK LOCK READ STATUS (7Ah)

The BLOCK LOCK READ STATUS (7Ah) command is used to determine the protection status of individual blocks. The address cycles have the same format, as shown below, and the invert area bit should be set LOW. On the falling edge of RE# the I/O pins output the block lock status register, which contains the information on the protection status of the block.

**Table 23: Block Lock Status Register Bit Definitions**

Block Lock Status Register Definitions	I/O[7:4]	I/O3 (Protect#)	I/O2 (Lock#)	I/O1 (LT#)	I/O0 (LT)
Block is locked tight	X	1	0	0	1
Block is locked	X	1	0	1	0
Block is unlocked, and device is locked tight	X	1	1	0	1
Block is unlocked, and device is not locked tight	X	1	1	1	0
Block is permanently protected	X	0	x	x	x



# 149-Ball NAND Flash with LPDDR4/LPDDR4X MCP Block Lock Feature

**Figure 53: BLOCK LOCK READ STATUS**

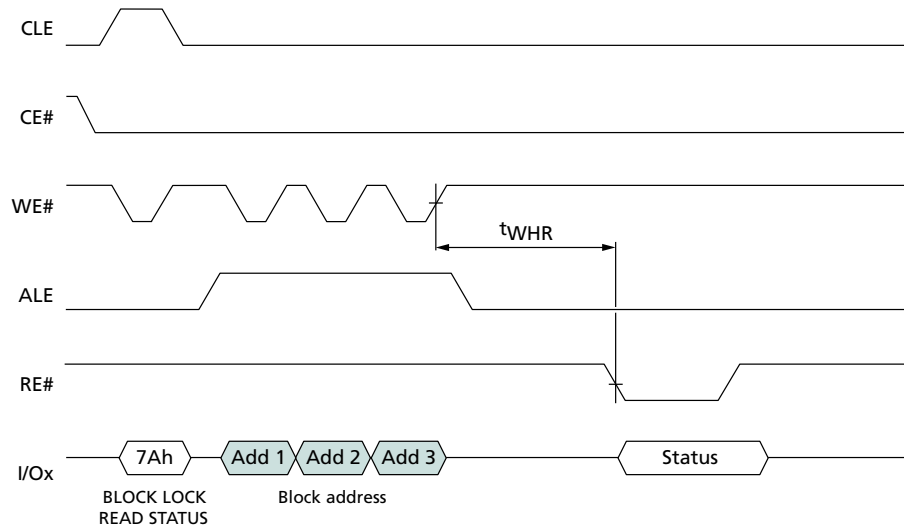
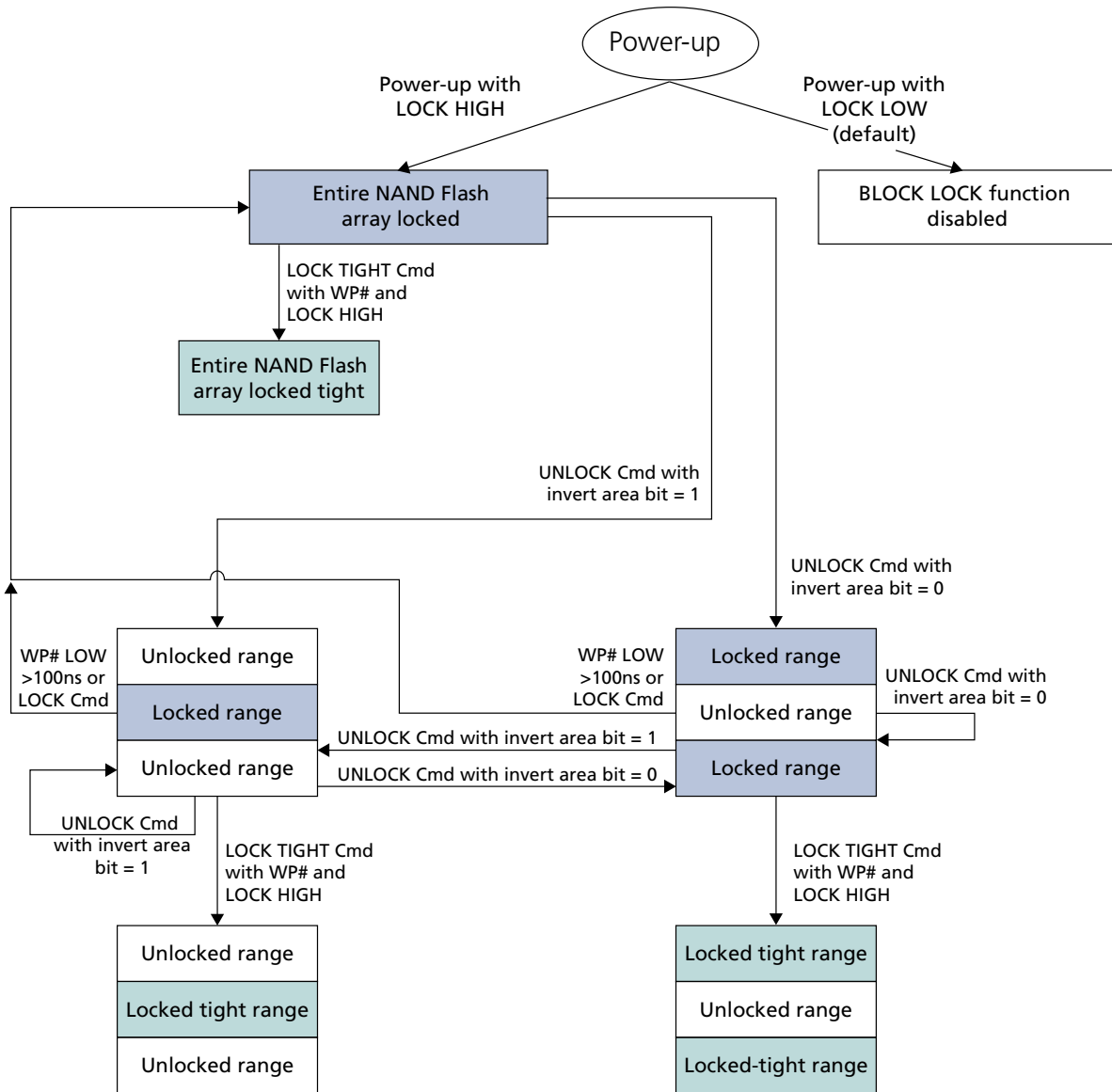




Figure 54: BLOCK LOCK Flowchart



## PROTECT Command

Blocks 00h–07h are guaranteed valid with ECC when shipped from the factory. The PROTECT command provides nonvolatile, irreversible protection of up to twelve groups (48 blocks total). Implementation of the protection is group-based, which means that a minimum of one group (4 blocks) is protected when the PROTECT command is issued.

Because block protection is nonvolatile, a power-on or power-off sequence does not affect the block status after the PROTECT command is issued. The device ships from the factory with no blocks protected so that users can program or erase the blocks before issuing the PROTECT command. Block protection is also irreversible in that when pro-



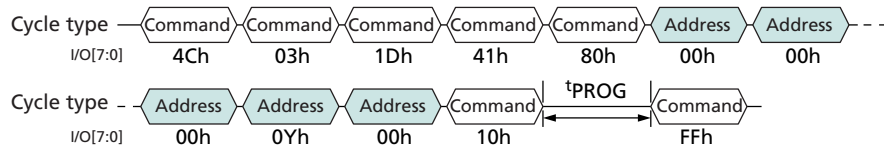


## 149-Ball NAND Flash with LPDDR4/LPDDR4X MCP Block Lock Feature

tection is enabled by the issuing PROTECT command, the protected blocks can no longer be programmed or erased.

The PROTECT command includes the steps detailed below.

**Figure 55: Address and Command Cycles**



Note: 1. In the 4th address cycle, 0Yh is the last 4 bits and represents the group of blocks to be protected. There are always 12 Groups, so Y = 0000b-1011b: Y = 0000 protects Group0 = blks 0, 1, 2, 3; Y = 0001 protects Group1 = blks 4, 5, 6, 7; Y = 1011 protects Group11 = blks 44, 45, 46, 47.

### Protection Command Details

To enable protection, four bus WRITE cycles set up the 4Ch, 03h, 1Dh, and 41h commands. Next, one bus WRITE cycle sets up the PAGE PROGRAM command (80h).

Then, five bus WRITE cycles are required to input the targeted block group information: 00h, 00h, 00h, 0Yh, 00h. In this 4th address cycle, 0Yh is the last 4 bits and represents the group of blocks to be protected. There are always 12 Groups, so Y = 0000b-1011b:

- Y = 0000 protects Group0 = blks 0, 1, 2, 3.
- Y = 0001 protects Group1 = blks 4, 5, 6, 7.
- Y = 1011 protects Group11 = blks 44, 45, 46, 47.

One bus cycle is required to issue the PAGE PROGRAM CONFIRM command. After tPROG, the targeted block groups are protected. The EXIT protection command (FFh) is issued to ensure the device exits protection mode.

(4Ch-03h-1Dh-41h)-80h-addr(00h-00h-00h-0Yh-00h)-10h-tPROG-FFh

The enable protection step is four bytes wide to prevent implementing involuntary protection. In addition, any spurious command/address/data cycles between each byte invalidates the entire process and the next PROGRAM command does not affect the block protection status. Likewise, any spurious command/address/data cycle between enable protection and setting up the PAGE PROGRAM command invalidates the entire protection command process.

If enable protection is followed by an operation other than the PROGRAM operation, such as a PAGE READ or BLOCK ERASE operation, this other operation is executed without affecting block protection status. Therefore, the PROTECT operation must still be executed to protect the block. The PROTECT operation is inhibited if WP# is LOW. Upon PROTECT operation failure, the status register reports a value of E1h. Upon PROTECT operation success, the status register reports value of E0h.

The following is an example of boot block protection:

Protect group 5 (blks20-23): (4Ch-03h-1Dh-41h)-80h-addr(00h-00h-00h-05h-00h)-10h-tPROG-FFh



## Permanent Block Lock Disable Mode

The PROTECT command provides nonvolatile, irreversible protection of up to twelve groups (48 blocks total), these blocks are permanent locked once the PROTECT command is issued to them. The permanent block lock disable mode provides the command sequence to freeze the block lock status, it is highly recommended for customers to follow this operation to prevent unintentional or malicious changes but not limited to these scenarios:

- Only certain number of groups of blocks need to be permanently locked, the rest of the block groups do not need to be permanently locked
- Customer do not need permanent block lock feature, and all 48 blocks are normal blocks

In permanent block lock disable mode, the following program sequence is used to disable protection command to add more permanent locked block groups:

- SET FEATURE command (EFh) with feature address 90h and data value 10h-00h-00h-00h to enter permanent block lock disable mode
- PROGRAM command (80h-10h) with block/page address all "0", and data input 0x00
- READ STATUS command 70h to check the operation status and success

READ command also could be used in permanent block lock disable mode to check whether PROTECT command is disabled by reading out all "0"; all "1" indicates Protection command is not disabled.

If permanent block lock disable sequence is issued again to the part that has already been disabled, the part will be busy for <sup>t</sup>OBSY and exit with SR = 60h. The part will be busy for <sup>t</sup>OBSY\_ECC when ECC is enabled.



## One-Time Programmable (OTP) Operations

This Micron NAND Flash device offers a protected, one-time programmable NAND Flash memory area. 48 full pages of OTP data are available on the device, and the entire range is guaranteed to be good. The OTP area is accessible only through the OTP commands. Customers can use the OTP area any way they choose; typical uses include programming serial numbers or other data for permanent storage.

The OTP area leaves the factory in an unwritten state (all bits are 1s). Programming or partial-page programming enables the user to program only 0 bits in the OTP area. The OTP area cannot be erased, whether it is protected or not. Protecting the OTP area prevents further programming of that area.

Micron provides a unique way to program and verify data before permanently protecting it and preventing future changes. The OTP area is only accessible while in OTP operation mode. To set the device to OTP operation mode, issue the SET FEATURE (EFh) command to feature address 90h and write 01h to P1, followed by three cycles of 00h to P2-P4. For parameters to enter OTP mode, see Features Operations.

When the device is in OTP operation mode, all subsequent PAGE READ (00h-30h) and PROGRAM PAGE (80h-10h) commands are applied to the OTP area. The OTP area is assigned to page addresses 02h-31h. To program an OTP page, issue the PROGRAM PAGE (80h-10h) command. The pages must be programmed in the ascending order. Similarly, to read an OTP page, issue the PAGE READ (00h-30h) command.

Protecting the OTP is done by entering OTP protect mode. To set the device to OTP protect mode, issue the SET FEATURE (EFh) command to feature address 90h and write 03h to P1, followed by three cycles of 00h to P2-P4.

To determine whether the device is busy during an OTP operation, either monitor R/B# or use the READ STATUS (70h) command.

To exit OTP operation or protect mode, write 00h to P1 at feature address 90h.

## Legacy OTP Commands

For legacy OTP commands, OTP DATA PROGRAM (A0h-10h), OTP DATA PROTECT (A5h-10h), and OTP DATA READ (AFh-30h).

## OTP DATA PROGRAM (80h-10h)

The OTP DATA PROGRAM (80h-10h) command is used to write data to the pages within the OTP area. An OTP page allows only four partial-page programs. There is no ERASE operation for OTP pages.

PROGRAM PAGE enables programming into an offset of an OTP page using two bytes of the column address (CA[12:0]). The command is compatible with the RANDOM DATA INPUT (85h) command. The PROGRAM PAGE command will not execute if the OTP area has been protected.

To use the PROGRAM PAGE command, issue the 80h command. Issue  $n$  address cycles. The first two address cycles are the column address. For the remaining cycles, select a page in the range of 02h-00h through 31h-00h. Next, write  $n$  bytes of data. After data input is complete, issue the 10h command. The internal control logic automatically executes the proper programming algorithm and controls the necessary timing for programming and verification.



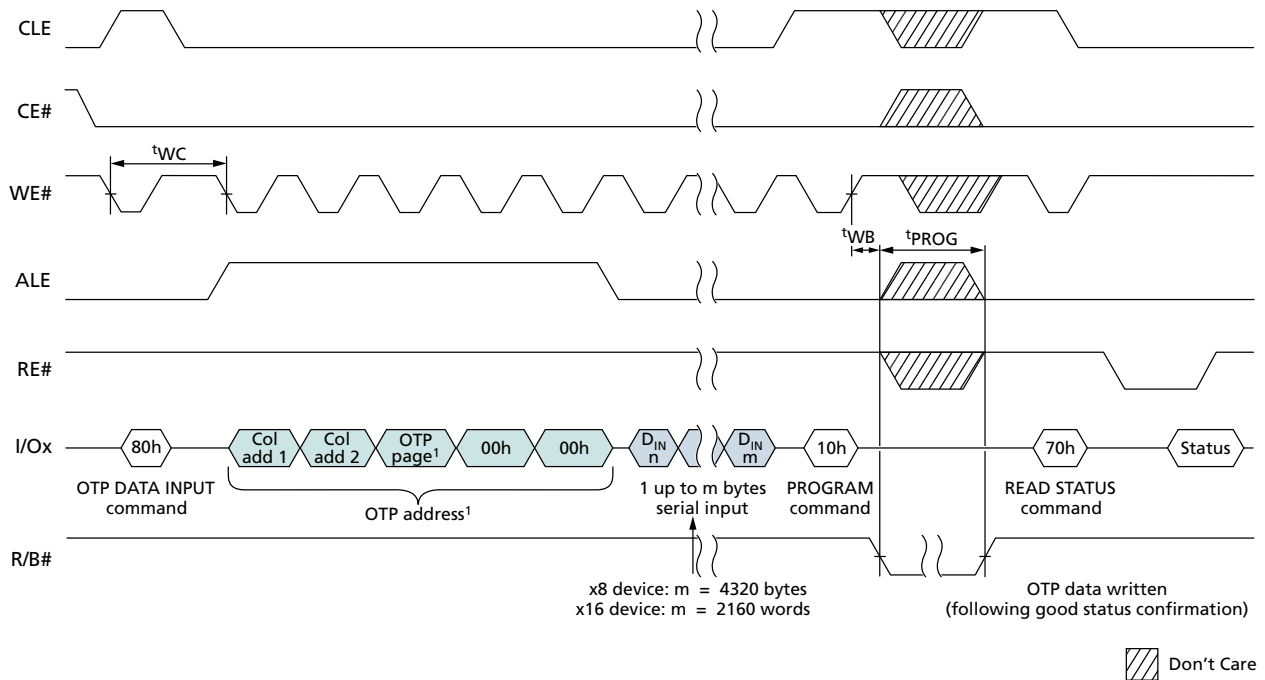
# 149-Ball NAND Flash with LPDDR4/LPDDR4X MCP One-Time Programmable (OTP) Operations

R/B# goes LOW for the duration of the array programming time ( $t_{PROG}$ ). The READ STATUS (70h) command is the only valid command for reading status in OTP operation mode. Bit 5 of the status register reflects the state of R/B#. When the device is ready, read bit 0 of the status register to determine whether the operation passed or failed (see Status Operations). Each OTP page can be programmed to 4 partial-page programming.

## RANDOM DATA INPUT (85h)

After the initial OTP data set is input, additional data can be written to a new column address with the RANDOM DATA INPUT (85h) command. The RANDOM DATA INPUT command can be used any number of times in the same page prior to the OTP PAGE WRITE (10h) command being issued.

**Figure 56: OTP DATA PROGRAM (After Entering OTP Operation Mode)**

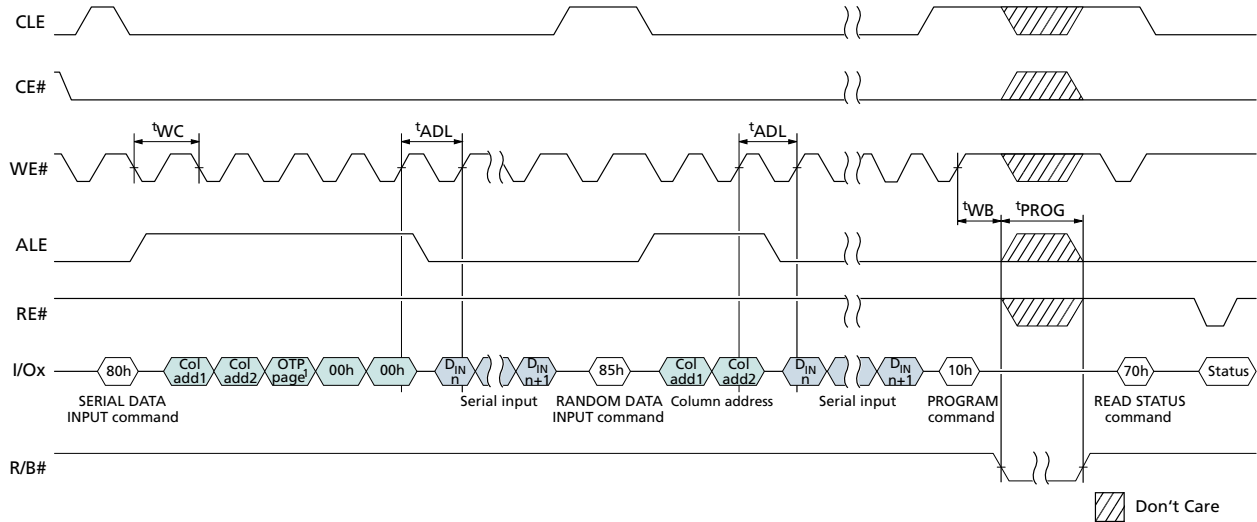


Note: 1. The OTP page must be within the 02h–31h range.



# 149-Ball NAND Flash with LPDDR4/LPDDR4X MCP One-Time Programmable (OTP) Operations

**Figure 57: OTP DATA PROGRAM Operation with RANDOM DATA INPUT (After Entering OTP Operation Mode)**



## OTP DATA PROTECT (80h-10)

The OTP area is protected on a block basis. To protect a block, set the device to OTP protect mode, then issue the PROGRAM PAGE (80h-10h) command and write OTP address 00h, 00h, 00h, 00h. To set the device to OTP protect mode, issue the SET FEATURE (EFh) command to 90h (feature address) and write 03h to P1, followed by three cycles of 00h to P2-P4.

After the data is protected, it cannot be programmed further. When the OTP area is protected, the pages within the area are no longer programmable and cannot be unprotected.

To use the PROGRAM PAGE command to protect the OTP area, issue the 80h command, followed by  $n$  address cycles, write 00h data, data cycle of 00h, followed by the 10h command. (An example of the address sequence is shown in the following figure.) If an OTP DATA PROGRAM command is issued after the OTP area has been protected, R/B# will go LOW for  $t_{OBSY}$ .

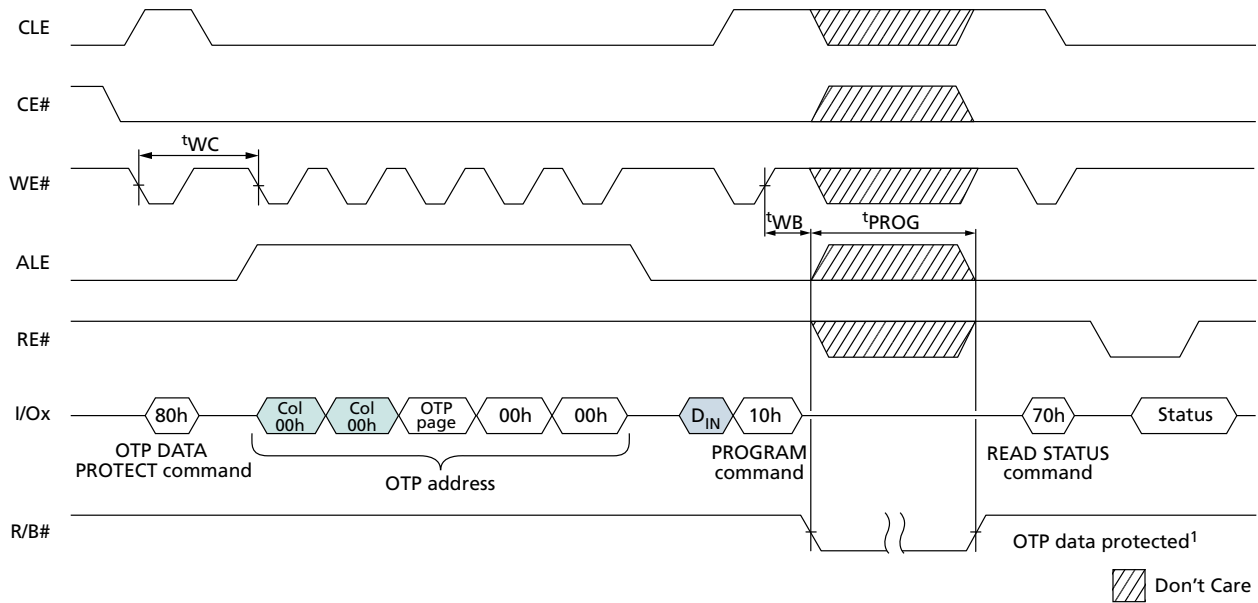
The READ STATUS (70h) command is the only valid command for reading status in OTP operation mode. Bit 5 of the status register reflects the state of R/B#.

When the device is ready, read bit 0 of the status register to determine whether the operation passed or failed (see Status Operations).



# 149-Ball NAND Flash with LPDDR4/LPDDR4X MCP One-Time Programmable (OTP) Operations

**Figure 58: OTP DATA PROTECT Operation (After Entering OTP Protect Mode)**



Note: 1. OTP data is protected following a good status confirmation.

## OTP DATA READ (00h-30h)

To read data from the OTP area, set the device to OTP operation mode, then issue the PAGE READ (00h-30h) command. Data can be read from OTP pages within the OTP area whether the area is protected or not.

To use the PAGE READ command for reading data from the OTP area, issue the 00h command, and then issue five address cycles: for the first two cycles, the column address; and for the remaining address cycles, select a page in the range of 02h-00h-00h through 31h-00h-00h. Lastly, issue the 30h command. The PAGE READ CACHE MODE command is not supported on OTP pages.

R/B# goes LOW (<sup>t</sup>R) while the data is moved from the OTP page to the data register. The READ STATUS (70h) command is the only valid command for reading status in OTP operation mode. Bit 5 of the status register reflects the state of R/B# (see Status Operations).

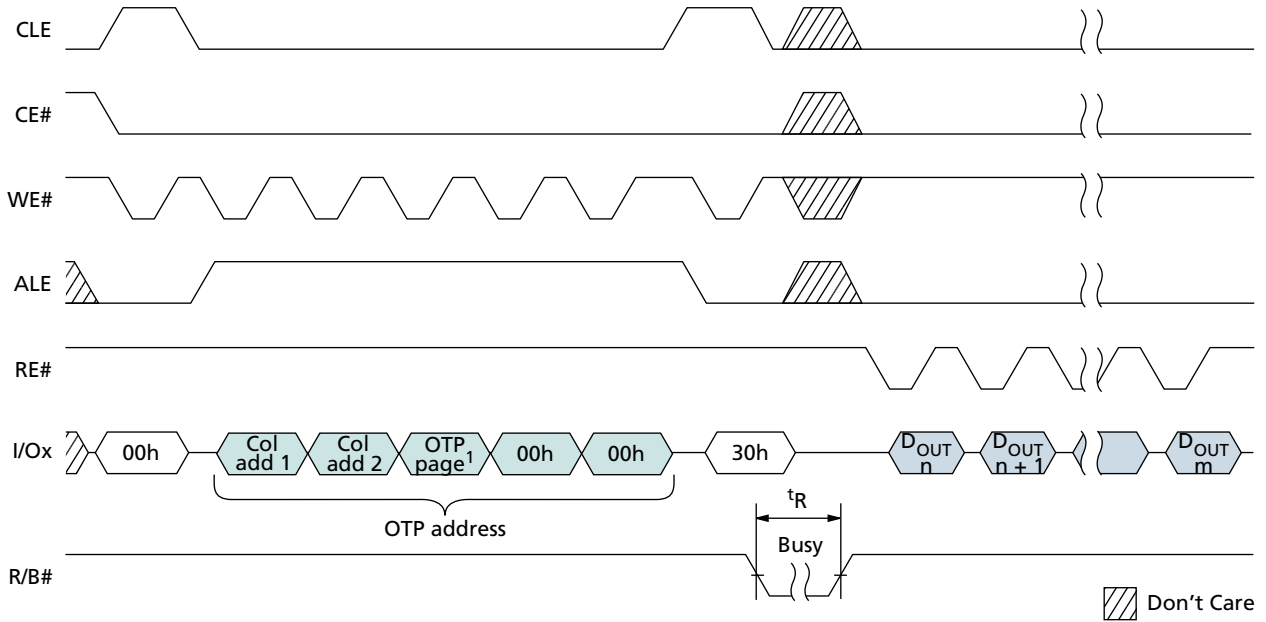
Normal READ operation timings apply to OTP read accesses. Additional pages within the OTP area can be selected by repeating the OTP DATA READ command.

The PAGE READ command is compatible with the RANDOM DATA OUTPUT (05h-E0h) command.

Only data on the current page can be read. Pulsing RE# outputs data sequentially.

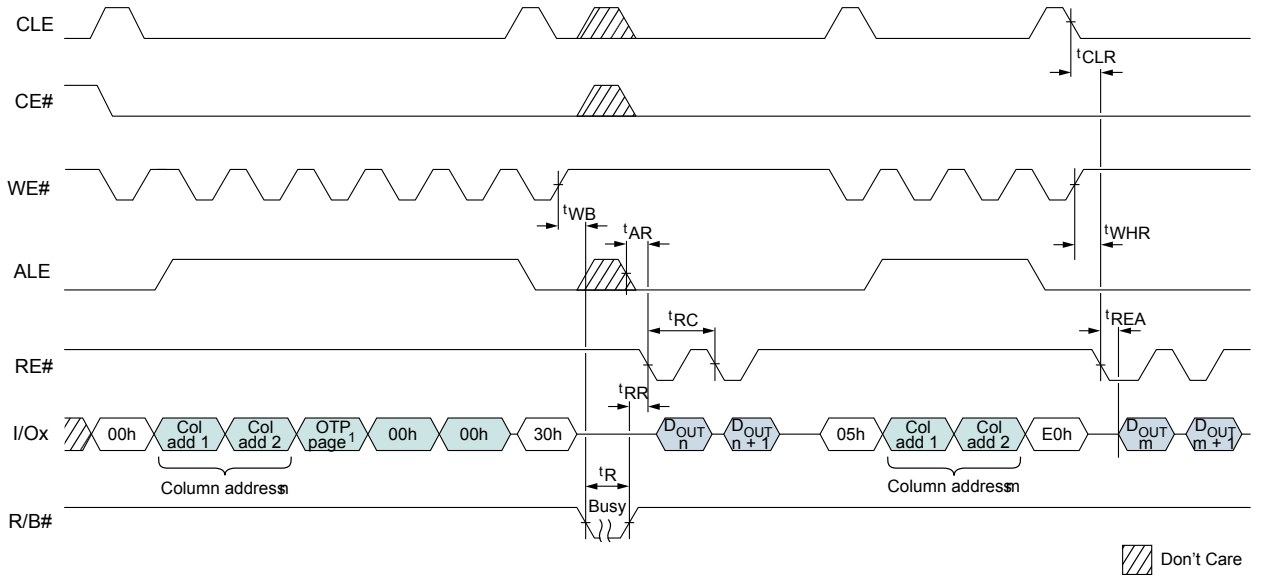


Figure 59: OTP DATA READ



Note: 1. The OTP page must be within the 02h–31h range.

Figure 60: OTP DATA READ with RANDOM DATA READ Operation



Note: 1. The OTP page must be within the range 02h–31h.

## ECC Protection

Internal ECC enables 9-bit detection and 8-bit correction in 512 bytes (x8) of main area and 16 bytes (x8) of spare area or 256 words (x16) of the main area and 8 words (x16) of



## 149-Ball NAND Flash with LPDDR4/LPDDR4X MCP ECC Protection

spare area. During the busy time for PROGRAM operations, internal ECC generates parity bits when error detection is complete. During READ operations the device executes the internal ECC engine (9-bit detection and 8-bit error correction). When the READ operation is complete, read status bit 0 must be checked to determine whether errors larger than eight bits have occurred.

Following the READ STATUS command, the device must be returned to read mode by issuing the 00h command.

Limitations of internal ECC include the spare area, defined in the Spare Area Mapping (x8) and (x16) tables, and ECC parity areas that cannot be written to. Each ECC user area (referred to main and spare) must be written within one partial-page program so that the NAND device can calculate the proper ECC parity. The number of partial-page programs within a page cannot exceed four.

During a PROGRAM operation, the device calculates an ECC code on the 4K page in the cache register, before the page is written to the NAND Flash array. The ECC code is stored in the spare area of the page.

During a READ operation, the page data is read from the array to the cache register, where the ECC code is calculated and compared with the ECC code value read from the array. If a 1- to 8-bit error is detected, the error is corrected in the cache register. Only corrected data is output on the I/O bus. The ECC status bit indicates whether the error correction was successful. The Spare Area Mapping (x8) and (x16) tables that follow show the ECC protection scheme used throughout a page.

With internal ECC, the user must accommodate the following:

- Spare area definitions provided in the Spare Area Mapping table below.
- WRITES to ECC are supported for main and spare areas 0 and 1. WRITES to the ECC area are prohibited (see the Spare Area Mapping table below).
- When using partial-page programming, the following conditions must both be met: First, in the main user area and in user meta data area, single partial-page programming operations must be used (see the Spare Area Mapping table below). Second, within a page, the user can perform a maximum of four partial-page programming operations.

**Table 24: Spare Area Mapping (x8)**

Max Byte Address	Min Byte Address	ECC Protected	Area	Description
<b>User Data</b>				
1FFh	000h	Yes	Main 0	User data 0
3FFh	200h	Yes	Main 1	User data 1
5FFh	400h	Yes	Main 2	User data 2
7FFh	600h	Yes	Main 3	User data 3
9FFh	800h	Yes	Main 4	User data 4
BFFh	A00h	Yes	Main 5	User data 5
DFFh	C00h	Yes	Main 6	User data 6
FFFh	E00h	Yes	Main 7	User data 7
<b>User Meta Data</b>				





## 149-Ball NAND Flash with LPDDR4/LPDDR4X MCP ECC Protection

**Table 24: Spare Area Mapping (×8) (Continued)**

Max Byte Address	Min Byte Address	ECC Protected	Area	Description
100Fh	1000h	Yes	Spare 0	User meta data
101Fh	1010h	Yes	Spare 1	User meta data
102Fh	1020h	Yes	Spare 2	User meta data
103Fh	1030h	Yes	Spare 3	User meta data
104Fh	1040h	Yes	Spare 4	User meta data
105Fh	1050h	Yes	Spare 5	User meta data
106Fh	1060h	Yes	Spare 6	User meta data
107Fh	1070h	Yes	Spare 7	User meta data
<b>ECC</b>				
108Fh	1080h	Yes	Spare 0	ECC for main/spare 0
109Fh	1090h	Yes	Spare 1	ECC for main/spare 1
10AFh	10A0h	Yes	Spare 2	ECC for main/spare 2
10BFh	10B0h	Yes	Spare 3	ECC for main/spare 3
10CFh	10C0h	Yes	Spare 4	ECC for main/spare 4
10DFh	10D0h	Yes	Spare 5	ECC for main/spare 5
10EFh	10E0h	Yes	Spare 6	ECC for main/spare 6
10FFh	10F0h	Yes	Spare 7	ECC for main/spare 7

**Table 25: Spare Area Mapping (×16)**

Max Byte Address	Min Byte Address	ECC Protected	Area	Description
<b>User Data</b>				
0FFh	000h	Yes	Main 0	User data 0
1FFh	100h	Yes	Main 1	User data 1
2FFh	200h	Yes	Main 2	User data 2
3FFh	300h	Yes	Main 3	User data 3
4FFh	400h	Yes	Main 4	User data 4
5FFh	500h	Yes	Main 5	User data 5
6FFh	600h	Yes	Main 6	User data 6
7FFh	700h	Yes	Main 7	User data 7
<b>User Meta Data</b>				
807h	800h	Yes	Spare 0	User meta data
80Fh	808h	Yes	Spare 1	User meta data
817h	810h	Yes	Spare 2	User meta data
81Fh	818h	Yes	Spare 3	User meta data
827h	820h	Yes	Spare 4	User meta data



## 149-Ball NAND Flash with LPDDR4/LPDDR4X MCP ECC Protection

**Table 25: Spare Area Mapping (×16) (Continued)**

Max Byte Address	Min Byte Address	ECC Protected	Area	Description
82Fh	828h	Yes	Spare 5	User meta data
837h	830h	Yes	Spare 6	User meta data
83Fh	838h	Yes	Spare 7	User meta data
<b>ECC</b>				
847h	840h	Yes	Spare 0	ECC for main/spare 0
84Fh	848h	Yes	Spare 1	ECC for main/spare 1
857h	850h	Yes	Spare 2	ECC for main/spare 2
85Fh	858h	Yes	Spare 3	ECC for main/spare 3
867h	860h	Yes	Spare 4	ECC for main/spare 4
86Fh	868h	Yes	Spare 5	ECC for main/spare 5
877h	870h	Yes	Spare 6	ECC for main/spare 6
87Fh	878h	Yes	Spare 7	ECC for main/spare 7

**Table 26: ECC Status**

Bit 4	Bit 3	Bit 0	Description
0	0	0	No bit errors were detected.
0	0	1	More than 8 bits error were detected and not corrected.
0	1	0	4 to 6 bit errors were detected and corrected. Refresh is recommended.
0	1	1	Reserved
1	0	0	1 to 3 bit errors/page were detected and corrected.
1	0	1	Reserved
1	1	0	7 to 8 bit errors were detected and corrected. Refresh is required to guarantee data retention.
1	1	1	Reserved



## Error Management

Each NAND Flash die (LUN) is specified to have a minimum number of valid blocks (NVB) of the total available blocks. This means the die (LUNs) could have blocks that are invalid when shipped from the factory. An invalid block is one that contains at least one page that has more bad bits than can be corrected by the minimum required ECC. Additional blocks can develop with use. However, the total number of available blocks per die (LUN) will not fall below NVB during the endurance life of the product.

Although NAND Flash memory devices could contain bad blocks, they can be used quite reliably in systems that provide bad block management and error-correction algorithms. This type of software environment ensures data integrity.

Internal circuitry isolates each block from other blocks, so the presence of a bad block does not affect the operation of the rest of the NAND Flash array.

NAND Flash devices are shipped from the factory erased. The factory identifies invalid blocks before shipping by attempting to program the bad block mark into every location in the first page of each invalid block. It may not be possible to program every location with the bad block mark. However, the first spare area location in each bad block is guaranteed to contain the bad block mark. This method is compliant with ONFI Factory Defect Mapping requirements.

System software should check the first spare area location on the first page of each block prior to performing any PROGRAM or ERASE operations on the NAND Flash device. A bad block table can then be created, enabling system software to map around these areas. Factory testing is performed under worst-case conditions. Because invalid blocks could be marginal, it may not be possible to recover this information if the block is erased.

Over time, some memory locations may fail to program or erase properly. In order to ensure that data is stored properly over the life of the NAND Flash device, the following precautions are required:

- Always check status after a PROGRAM or ERASE operation
- Under typical conditions, use the minimum required ECC (see table below)
- Use bad block management and wear-leveling algorithms

**Table 27: Error Management Details**

Description	Requirement
Minimum number of valid blocks (NVB) per LUN	2008
Total available blocks per LUN	2048
First spare area location	×8: byte 4096 ×16: word 2048
Bad block mark	×8: 00h ×16: 0000h
Minimum required ECC	8-bit ECC per 544 bytes of data
Minimum ECC with internal ECC enabled	8-bit ECC per 528 bytes (user data) + 16 bytes (parity data)



## 149-Ball NAND Flash with LPDDR4/LPDDR4X MCP Electrical Specifications

### Electrical Specifications

Stresses greater than those listed can cause permanent damage to the device. This is stress rating only, and functional operation of the device at these or any other conditions above those indicated in the operational sections of this specification is not guaranteed. Exposure to absolute maximum rating conditions for extended periods can affect reliability.

**Table 28: Absolute Maximum Ratings**

Parameter/Condition		Symbol	Min	Max	Unit
Voltage input	3.3V	$V_{IN}$	-0.6	+4.6	V
Voltage input	1.8V	$V_{IN}$	-0.6	+2.4	V
$V_{CC}$ supply voltage	3.3V	$V_{CC}$	-0.6	+4.6	V
$V_{CC}$ supply voltage	1.8V	$V_{CC}$	-0.6	+2.4	V
Storage temperature		$T_{STG}$	-65	+150	°C
Electrostatic discharge voltage		$V_{ESD}$	-2000	2000	V

Note: 1. All specified voltages are with respect to  $V_{SS}$ .

**Table 29: Recommended Operating Conditions**

Parameter/Condition		Symbol	Min	Typ	Max	Unit
$V_{CC}$ supply voltage	3.3V	$V_{CC}$	2.7	3.3	3.6	V
$V_{CC}$ supply voltage	1.8V	$V_{CC}$	1.7	1.8	1.95	V
Ground supply voltage		$V_{SS}$	0	0	0	V
Operating temperature	Extended	$T_A$	-40	-	+85	°C

Notes: 1. 3.3V and 1.8V are separate line items.  
2. All specified voltages are with respect to  $V_{SS}$ .

**Table 30: Capacitance**

Description	Symbol	Max	Unit	Notes
Input/output capacitance (I/O)	$C_{IO}$	8	pF	1, 2
Input capacitance	$C_{IN}$	6	pF	1, 2

Notes: 1. These parameters will be verified in device characterization.  
2. Test conditions:  $T_C = 25^\circ\text{C}$ ;  $f = 1\text{ MHz}$ ;  $V_{IN} = 0\text{V}$ .

**Table 31: Test Conditions**

Parameter	Value	Notes
Input pulse levels	0.0V to $V_{CC}$	
Input rise and fall times	5ns	
Input and output timing levels	$V_{CC}/2$	



## 149-Ball NAND Flash with LPDDR4/LPDDR4X MCP Electrical Specifications

**Table 31: Test Conditions (Continued)**

Parameter	Value	Notes
Output load	1 TTL GATE and CL = 50pF (3.3V, 1.8V)	1

Note: 1. These parameters will be verify in device characterization.



## 149-Ball NAND Flash with LPDDR4/LPDDR4X MCP Electrical Specifications – DC Characteristics and Operating Conditions

### Electrical Specifications – DC Characteristics and Operating Conditions

Table 32: DC Characteristics and Operating Conditions (3.3V)

Parameter	Conditions	Symbol	Min	Typ	Max	Unit	Notes
Sequential read current ECC off	$t_{RC} = t_{RC} \text{ (MIN)}; CE\# = V_{IL}; I_{OUT} = 0\text{mA}$	$I_{CC1}$	–	15	20	mA	1
Sequential read current ECC on	$t_{RC} = t_{RC} \text{ (MIN)}; CE\# = V_{IL}; I_{OUT} = 0\text{mA}$	$I_{CC1}$	–	25	35	mA	1
Program current ECC off	–	$I_{CC2}$	–	15	20	mA	1
Program current ECC on	–	$I_{CC2}$	–	20	25	mA	1
Erase current	–	$I_{CC3}$	–	15	20	mA	1
Standby current (TTL)	$CE\# = V_{IH}; WP\# = 0V/V_{CC}$	$I_{SB1}$	–	–	1	mA	
Standby current (CMOS)	$CE\# = V_{CC} - 0.2V; WP\# = 0V/V_{CC}$	$I_{SB2}$	–	20	100	$\mu\text{A}$	
Staggered power-up current	Rise time = 1ms Line capacitance = 0.1 $\mu\text{F}$	$I_{ST}$	–	–	10 per die	mA	2
Input leakage current	$V_{IN} = 0V \text{ to } V_{CC}$	$I_{LI}$	–	–	$\pm 10$	$\mu\text{A}$	
Output leakage current	$V_{OUT} = 0V \text{ to } V_{CC}$	$I_{LO}$	–	–	$\pm 10$	$\mu\text{A}$	
Input high voltage	I/O[7:0], I/O[15:0], CE#, CLE, ALE, WE#, RE#, WP#, R/B#	$V_{IH}$	$0.8 \times V_{CC}$	–	$V_{CC} + 0.3$	V	
Input low voltage, all inputs	–	$V_{IL}$	–0.3	–	$0.2 \times V_{CC}$	V	
Output high voltage	$I_{OH} = -400\mu\text{A}$	$V_{OH}$	$0.67 \times V_{CC}$	–	–	V	3
Output low voltage	$I_{OL} = 2.1\text{mA}$	$V_{OL}$	–	–	0.4	V	3
Output low current	$V_{OL} = 0.4V$	$I_{OL} \text{ (R/B\#)}$	8	10	–	mA	4

- Notes:
1. Typical and maximum values are for single-plane operation only.
  2. Measurement is taken with 1ms averaging intervals and begins after  $V_{CC}$  reaches  $V_{CC,min}$ .
  3.  $I_{OL} \text{ (R/B\#)}$  may need to be relaxed if R/B pull-down strength is not set to full.
  4.  $V_{OH}$  and  $V_{OL}$  may need to be relaxed if I/O drive strength is not set to full.



## 149-Ball NAND Flash with LPDDR4/LPDDR4X MCP Electrical Specifications – DC Characteristics and Operating Conditions

**Table 33: DC Characteristics and Operating Conditions (1.8V)**

Parameter	Conditions	Symbol	Min	Typ	Max	Unit	Notes
Sequential read current ECC off	$t_{RC} = t_{RC} \text{ (MIN)}; CE\# = V_{IL};$ $I_{OUT} = 0\text{mA}$	$I_{CC1}$	–	13	20	mA	1, 2
Sequential read current ECC on	$t_{RC} = t_{RC} \text{ (MIN)}; CE\# = V_{IL};$ $I_{OUT} = 0\text{mA}$	–	–	25	35	mA	1, 2
Program current ECC on	–	$I_{CC2}$	–	13	20	mA	1, 2
Program current ECC off	–	$I_{CC2}$	–	20	25	mA	1, 2
Erase current	–	$I_{CC3}$	–	15	20	mA	1, 2
Standby current (TTL)	$CE\# = V_{IH};$ $LOCK = WP\# = 0V/V_{CC}$	$I_{SB1}$	–	–	1	mA	
Standby current (CMOS)	$CE\# = V_{CC} - 0.2V;$ $LOCK = WP\# = 0V/V_{CC}$	$I_{SB2}$	–	15	50	$\mu\text{A}$	
Staggered power-up current	Rise time = 1ms Line capacitance = 0.1 $\mu\text{F}$	$I_{ST}$	–	–	10 per die	mA	3
Input leakage current	$V_{IN} = 0V \text{ to } V_{CC}$	$I_{LI}$	–	–	$\pm 10$	$\mu\text{A}$	
Output leakage current	$V_{OUT} = 0V \text{ to } V_{CC}$	$I_{LO}$	–	–	$\pm 10$	$\mu\text{A}$	
Input high voltage	I/O[7:0], I/O[15:0], CE#, CLE, ALE, WE#, RE#, WP#, R/B#, LOCK	$V_{IH}$	$0.8 \times V_{CC}$	–	$V_{CC} + 0.3$	V	
Input low voltage, all inputs	–	$V_{IL}$	–0.3	–	$0.2 \times V_{CC}$	V	
Output high voltage	$I_{OH} = -100\mu\text{A}$	$V_{OH}$	$V_{CC} - 0.2$	–	–	V	4
Output low voltage	$I_{OL} = 100\mu\text{A}$	$V_{OL}$	–	–	0.2	V	4
Output low current	$V_{OL} = 0.2V$	$I_{OL} \text{ (R/B\#)}$	3	4	–	mA	5

- Notes:
1. Typical and maximum values are for single-plane operation only.
  2. Values are for single die operations. Values could be higher for interleaved die operations.
  3. Measurement is taken with 1ms averaging intervals and begins after  $V_{CC}$  reaches  $V_{CC,min}$ .
  4. Test conditions for  $V_{OH}$  and  $V_{OL}$ .
  5. DC characteristics may need to be relaxed if R/B# pull-down strength is not set to full.



## Electrical Specifications – AC Characteristics and Operating Conditions

**Table 34: AC Characteristics: Command, Data, and Address Input (3.3V)**

Parameter	Symbol	Min	Max	Unit	Notes
ALE to data start	$t_{ADL}$	70	–	ns	1
ALE hold time	$t_{ALH}$	5	–	ns	
ALE setup time	$t_{ALS}$	10	–	ns	
CE# hold time	$t_{CH}$	5	–	ns	
CLE hold time	$t_{CLH}$	5	–	ns	
CLE setup time	$t_{CLS}$	10	–	ns	
CE# setup time	$t_{CS}$	15	–	ns	
Data hold time	$t_{DH}$	5	–	ns	
Data setup time	$t_{DS}$	7	–	ns	
WRITE cycle time	$t_{WC}$	20	–	ns	1
WE# pulse width HIGH	$t_{WH}$	7	–	ns	1
WE# pulse width	$t_{WP}$	10	–	ns	1
WP# transition to WE# LOW	$t_{WW}$	100	–	ns	

Note: 1. Timing for  $t_{ADL}$  begins in the address cycle, on the final rising edge of WE#, and ends with the first rising edge of WE# for data input.

**Table 35: AC Characteristics: Command, Data, and Address Input (1.8V)**

Parameter	Symbol	Min	Max	Unit	Notes
ALE to data start	$t_{ADL}$	100	–	ns	1
ALE hold time	$t_{ALH}$	5	–	ns	
ALE setup time	$t_{ALS}$	10	–	ns	
CE# hold time	$t_{CH}$	5	–	ns	
CLE hold time	$t_{CLH}$	5	–	ns	
CLE setup time	$t_{CLS}$	10	–	ns	
CE# setup time	$t_{CS}$	25	–	ns	
Data hold time	$t_{DH}$	5	–	ns	
Data setup time	$t_{DS}$	10	–	ns	
WRITE cycle time	$t_{WC}$	30	–	ns	1
WE# pulse width HIGH	$t_{WH}$	10	–	ns	1
WE# pulse width	$t_{WP}$	15	–	ns	1
WP# transition to WE# LOW	$t_{WW}$	100	–	ns	

Note: 1. Timing for  $t_{ADL}$  begins in the address cycle, on the final rising edge of WE#, and ends with the first rising edge of WE# for data input.





# 149-Ball NAND Flash with LPDDR4/LPDDR4X MCP Electrical Specifications – AC Characteristics and Operating Conditions

**Table 36: AC Characteristics: Normal Operation (3.3V)**

Note 1 applies to all

Parameter	Symbol	Min	Max	Unit	Notes
ALE to RE# delay	$t_{AR}$	10	–	ns	
CE# access time	$t_{CEA}$	–	25	ns	
CE# HIGH to output High-Z	$t_{CHZ}$	–	30	ns	2
CLE to RE# delay	$t_{CLR}$	10	–	ns	
CE# HIGH to output hold	$t_{COH}$	15	–	ns	
Output High-Z to RE# LOW	$t_{IR}$	0	–	ns	
READ cycle time	$t_{RC}$	20	–	ns	
RE# access time	$t_{REA}$	–	16	ns	
RE# HIGH hold time	$t_{REH}$	7	–	ns	
RE# HIGH to output hold	$t_{RHOH}$	15	–	ns	
RE# HIGH to WE# LOW	$t_{RHW}$	100	–	ns	2
RE# HIGH to output High-Z	$t_{RHZ}$	–	100	ns	
RE# LOW to output hold	$t_{RLOH}$	5	–	ns	
RE# pulse width	$t_{RP}$	10	–	ns	
Ready to RE# LOW	$t_{RR}$	20	–	ns	
Reset time (READ/PROGRAM/ERASE)	$t_{RST}$	–	5/10/500	$\mu$ s	3
WE# HIGH to busy	$t_{WB}$	–	100	ns	4
WE# HIGH to RE# LOW	$t_{WHR}$	60	–	ns	
ALE to RE# delay	$t_{AR}$	10	–	ns	

- Notes:
1. AC characteristics may need to be relaxed if I/O drive strength is not set to “full.”
  2. Transition is measured  $\pm 200$ mV from steady-state voltage with load. This parameter is sampled and not 100% tested.
  3. The first time the RESET (FFh) command is issued while the device is idle, the device will go busy for a maximum of 1ms. Thereafter, the device goes busy for a maximum of 5 $\mu$ s.
  4. Do not issue a new command during  $t_{WB}$ , even if R/B# is ready.



## 149-Ball NAND Flash with LPDDR4/LPDDR4X MCP Electrical Specifications – AC Characteristics and Operating Conditions

**Table 37: AC Characteristics: Normal Operation (1.8V)**

Note 1 applies to all

Parameter	Symbol	Min	Max	Unit	Notes
ALE to RE# delay	$t_{AR}$	10	–	ns	
CE# access time	$t_{CEA}$	–	30	ns	
CE# HIGH to output High-Z	$t_{CHZ}$	–	50	ns	2
CLE to RE# delay	$t_{CLR}$	10	–	ns	
CE# HIGH to output hold	$t_{COH}$	15	–	ns	
Output High-Z to RE# LOW	$t_{IR}$	0	–	ns	
READ cycle time	$t_{RC}$	30	–	ns	
RE# access time	$t_{REA}$	–	25	ns	
RE# HIGH hold time	$t_{REH}$	10	–	ns	
RE# HIGH to output hold	$t_{RHOH}$	15	–	ns	
RE# HIGH to WE# LOW	$t_{RHW}$	100	–	ns	2
RE# HIGH to output High-Z	$t_{RHZ}$	–	65	ns	
RE# pulse width	$t_{RP}$	15	–	ns	
Ready to RE# LOW	$t_{RR}$	20	–	ns	
Reset time (READ/PROGRAM/ERASE)	$t_{RST}$	–	7/13/600	$\mu$ s	3
WE# HIGH to busy	$t_{WB}$	–	100	ns	4
WE# HIGH to RE# LOW	$t_{WHR}$	80	–	ns	

- Notes:
1. AC characteristics may need to be relaxed if I/O drive strength is not set to “full.”
  2. Transition is measured  $\pm 200$ mV from steady-state voltage with load. This parameter is sampled and not 100% tested.
  3. The first time the RESET (FFh) command is issued while the device is idle, the device will go busy for a maximum of 1ms. Thereafter, the device goes busy for a maximum of 5 $\mu$ s.
  4. Do not issue a new command during  $t_{WB}$ , even if R/B# is ready.



## 149-Ball NAND Flash with LPDDR4/LPDDR4X MCP Electrical Specifications – Program/Erase Characteristics

### Electrical Specifications – Program/Erase Characteristics

**Table 38: Program/Erase Characteristics**

Parameter	Symbol	Typ	Max	Unit	Notes
Number of partial-page programs (AIT)	NOP	–	4	cycles	1
Number of partial-page programs (AAT)		–	4	cycles	1
BLOCK ERASE operation time	$t^{\text{BERS}}$	2	10	ms	
Busy time for PROGRAM CACHE operation 3.3V $V_{\text{CC}}$	$t^{\text{CBSY}}$	3	600	$\mu\text{s}$	2
Cache read busy time	$t^{\text{RCBSY}}$	5	25	$\mu\text{s}$	
Cache read busy time ECC enabled 3.3V $V_{\text{CC}}$	$t^{\text{RCBSY\_ECC}}$	80	115	$\mu\text{s}$	
Cache read busy time ECC enabled 1.8V $V_{\text{CC}}$		90	170	$\mu\text{s}$	
Busy time for SET FEATURES and GET FEATURES operations	$t^{\text{FEAT}}$	–	1	$\mu\text{s}$	
LAST PAGE PROGRAM operation time	$t^{\text{LPROG}}$	–	–	–	3
Busy time for OTP DATA PROGRAM operation if OTP is protected (ECC disabled)	$t^{\text{OBSY}}$	–	30	$\mu\text{s}$	
Busy time for OTP DATA PROGRAM operation if OTP is protected (ECC enabled), 3.3V	$t^{\text{OBSY\_ECC}}$	–	75	$\mu\text{s}$	
Busy time for OTP DATA PROGRAM operation if OTP is protected (ECC enabled), 1.8V		–	90	$\mu\text{s}$	
Busy time for PROGRAM/ERASE on locked blocks	$t^{\text{LBSY}}$	–	3	$\mu\text{s}$	
PROGRAM PAGE operation time	$t^{\text{PROG}}$	200	600	$\mu\text{s}$	
PROGRAM PAGE ECC ON operation time	$t^{\text{PROG\_ECC}}$	240	600	$\mu\text{s}$	
Power-on reset time	$t^{\text{POR}}$	–	1	ms	
READ PAGE operation time	$t^{\text{R}}$	–	25	$\mu\text{s}$	
READ PAGE operation time ECC enabled 3.3V $V_{\text{CC}}$	$t^{\text{R\_ECC}}$	80	115	$\mu\text{s}$	
READ PAGE operation time ECC enabled 1.8V $V_{\text{CC}}$		90	170	$\mu\text{s}$	

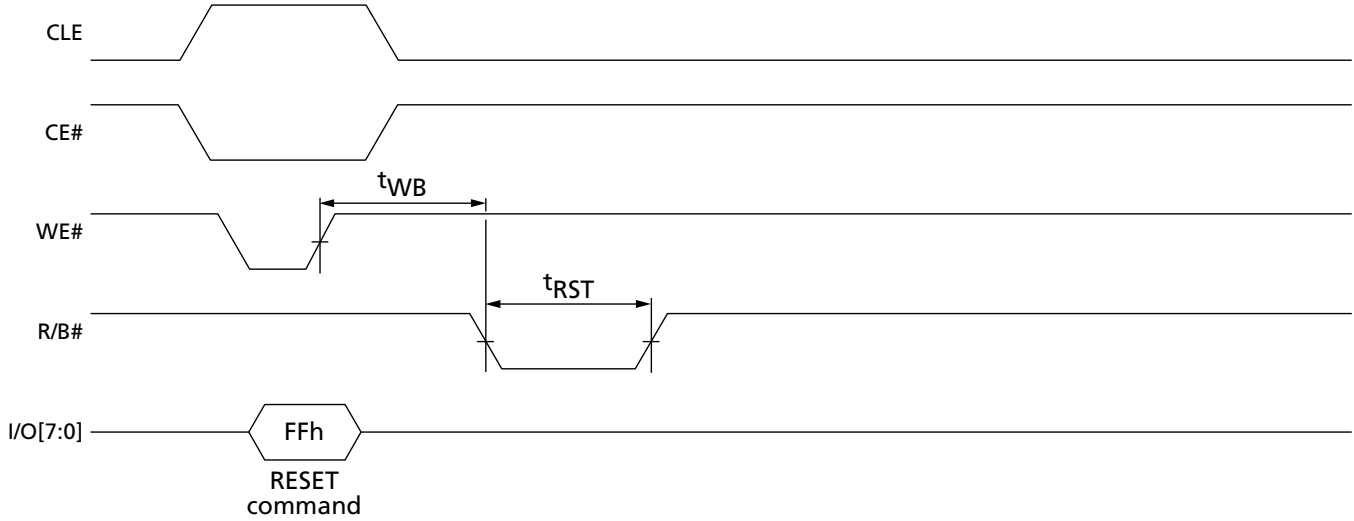
- Notes:
- Four total partial-page programs to the same page.
  - $t^{\text{CBSY}}$  (MAX) time depends on timing between internal program completion and data-in.
  - $t^{\text{LPROG}} = t^{\text{PROG}}$  (last page) +  $t^{\text{PROG}}$  (last - 1 page) - command load time (last page) - address load time (last page) - data load time (last page).



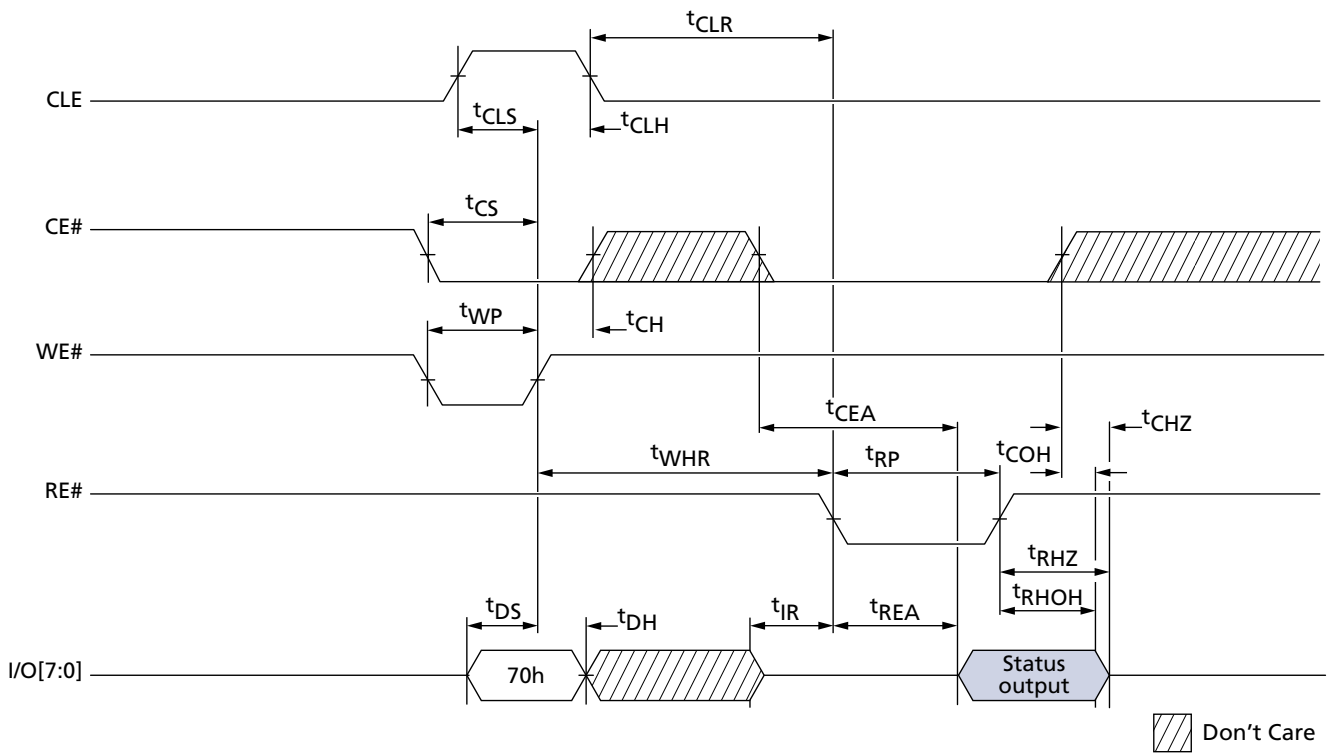
# 149-Ball NAND Flash with LPDDR4/LPDDR4X MCP Asynchronous Interface Timing Diagrams

## Asynchronous Interface Timing Diagrams

**Figure 61: RESET Operation**



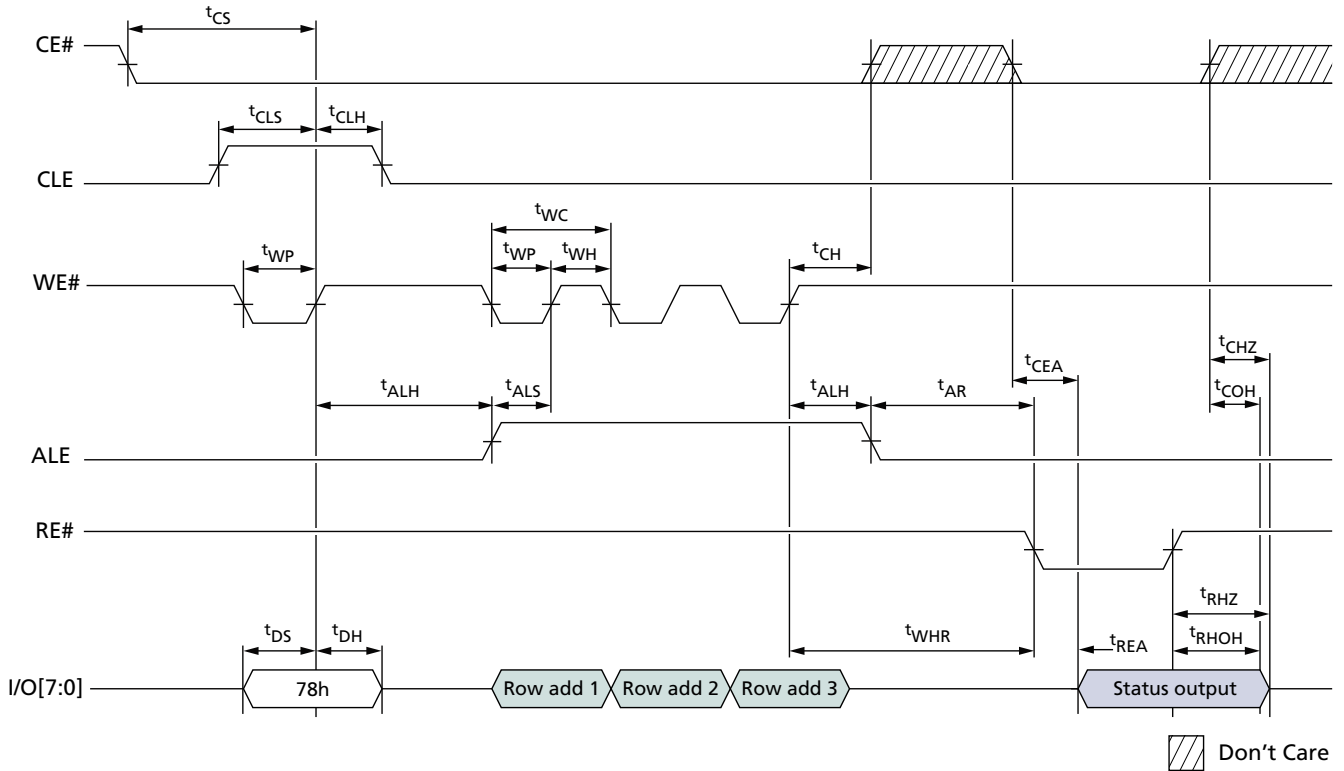
**Figure 62: READ STATUS Cycle**



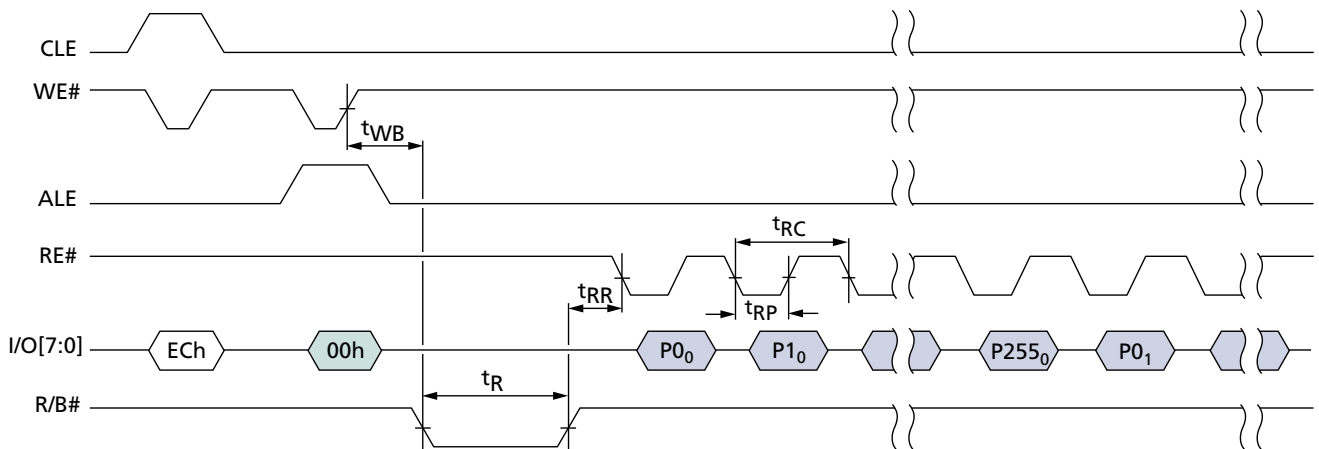


# 149-Ball NAND Flash with LPDDR4/LPDDR4X MCP Asynchronous Interface Timing Diagrams

**Figure 63: READ STATUS ENHANCED Cycle**



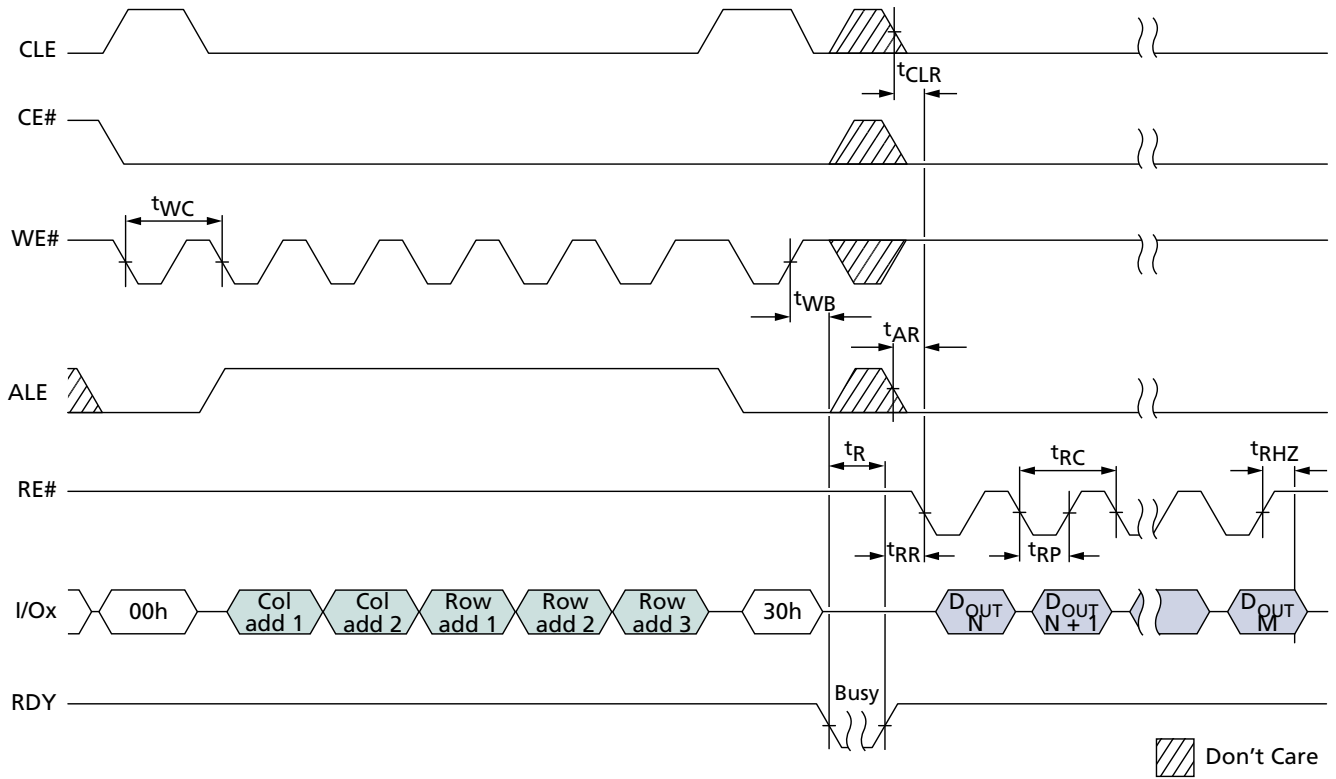
**Figure 64: READ PARAMETER PAGE**





# 149-Ball NAND Flash with LPDDR4/LPDDR4X MCP Asynchronous Interface Timing Diagrams

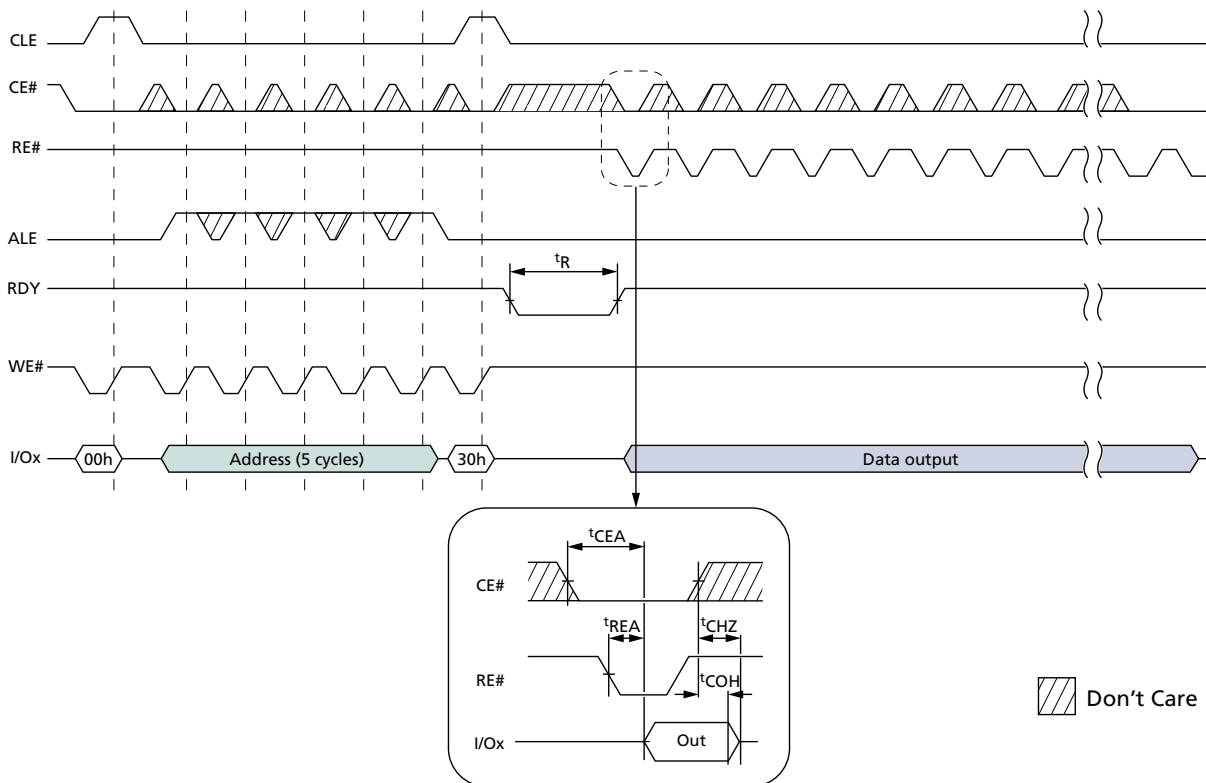
**Figure 65: READ PAGE**



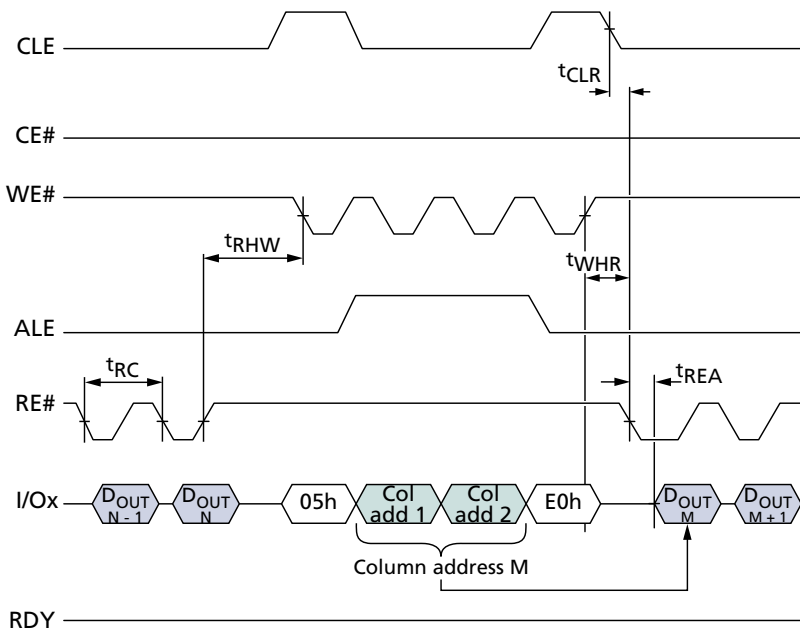


# 149-Ball NAND Flash with LPDDR4/LPDDR4X MCP Asynchronous Interface Timing Diagrams

**Figure 66: READ PAGE Operation with CE# "Don't Care"**



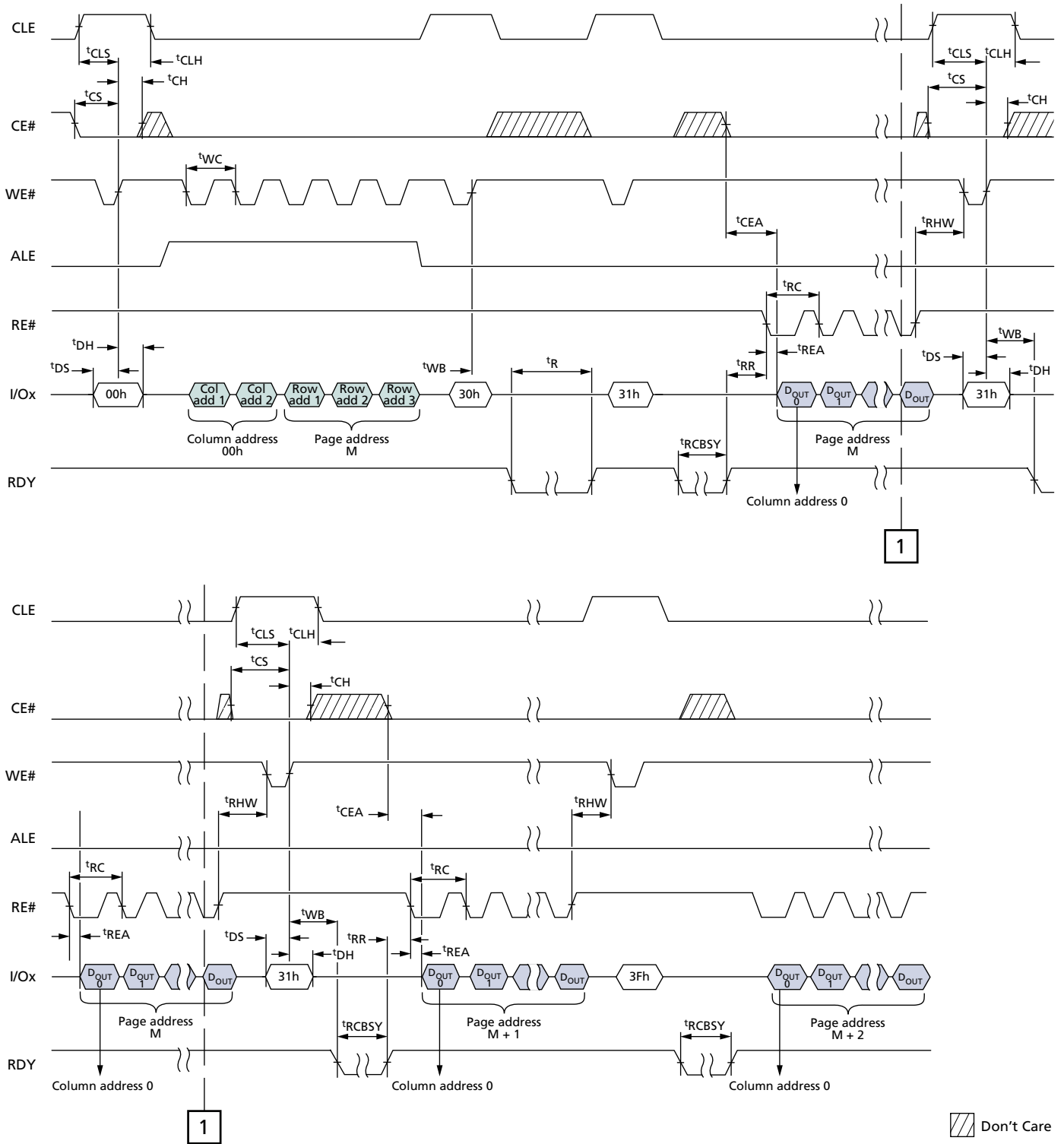
**Figure 67: RANDOM DATA READ**





# 149-Ball NAND Flash with LPDDR4/LPDDR4X MCP Asynchronous Interface Timing Diagrams

**Figure 68: READ PAGE CACHE SEQUENTIAL**

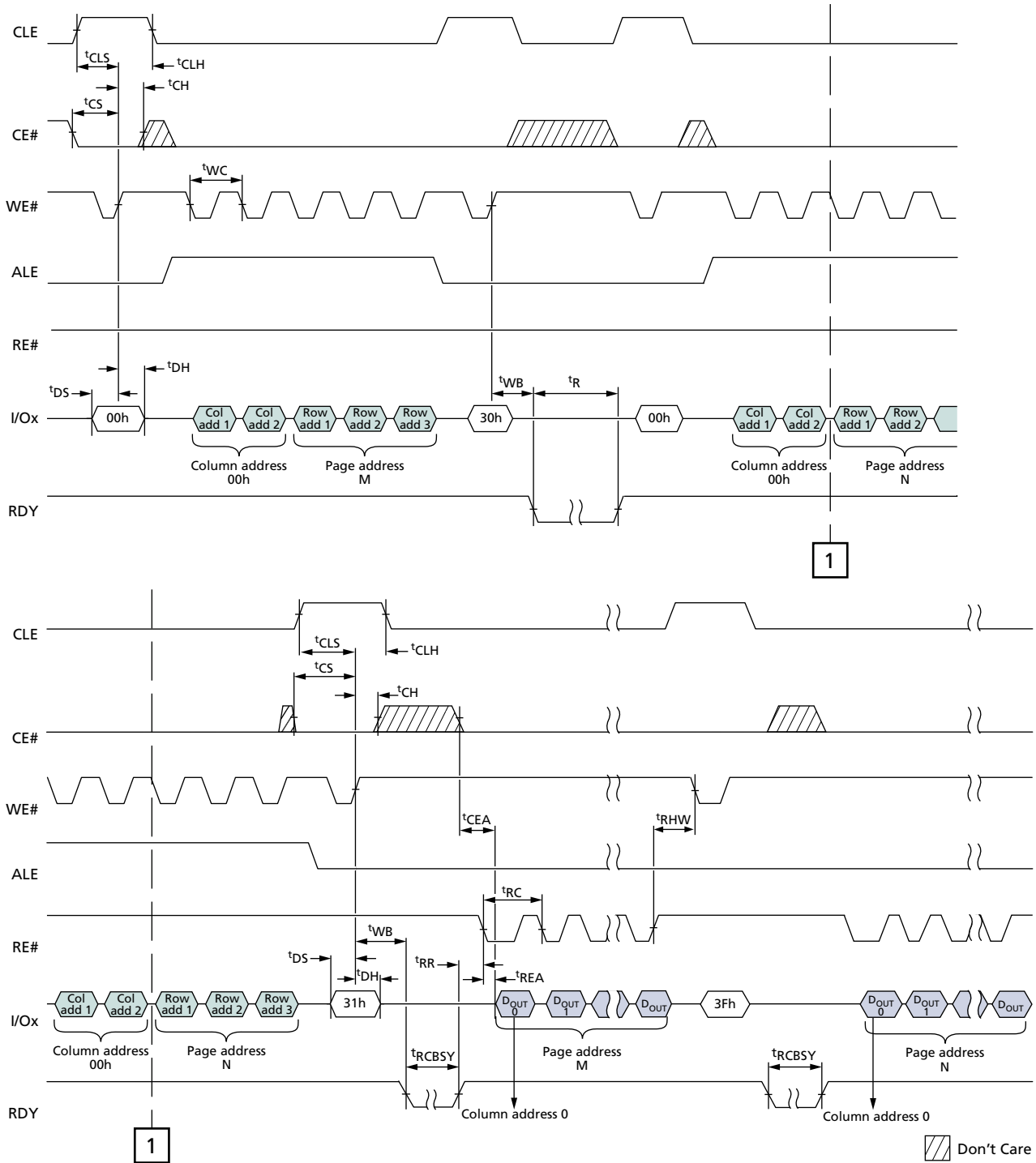






# 149-Ball NAND Flash with LPDDR4/LPDDR4X MCP Asynchronous Interface Timing Diagrams

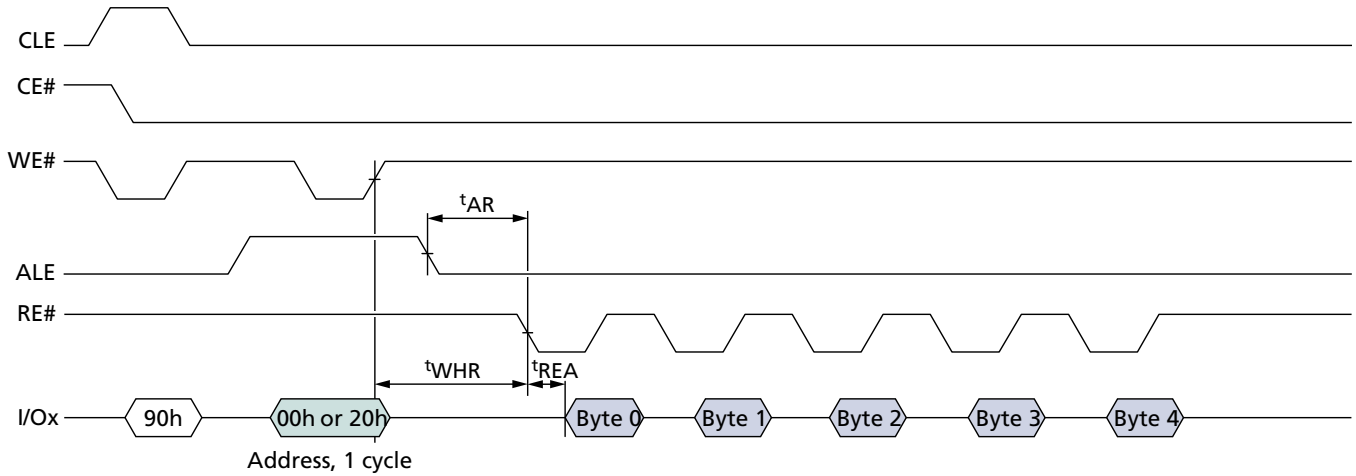
**Figure 69: READ PAGE CACHE RANDOM**



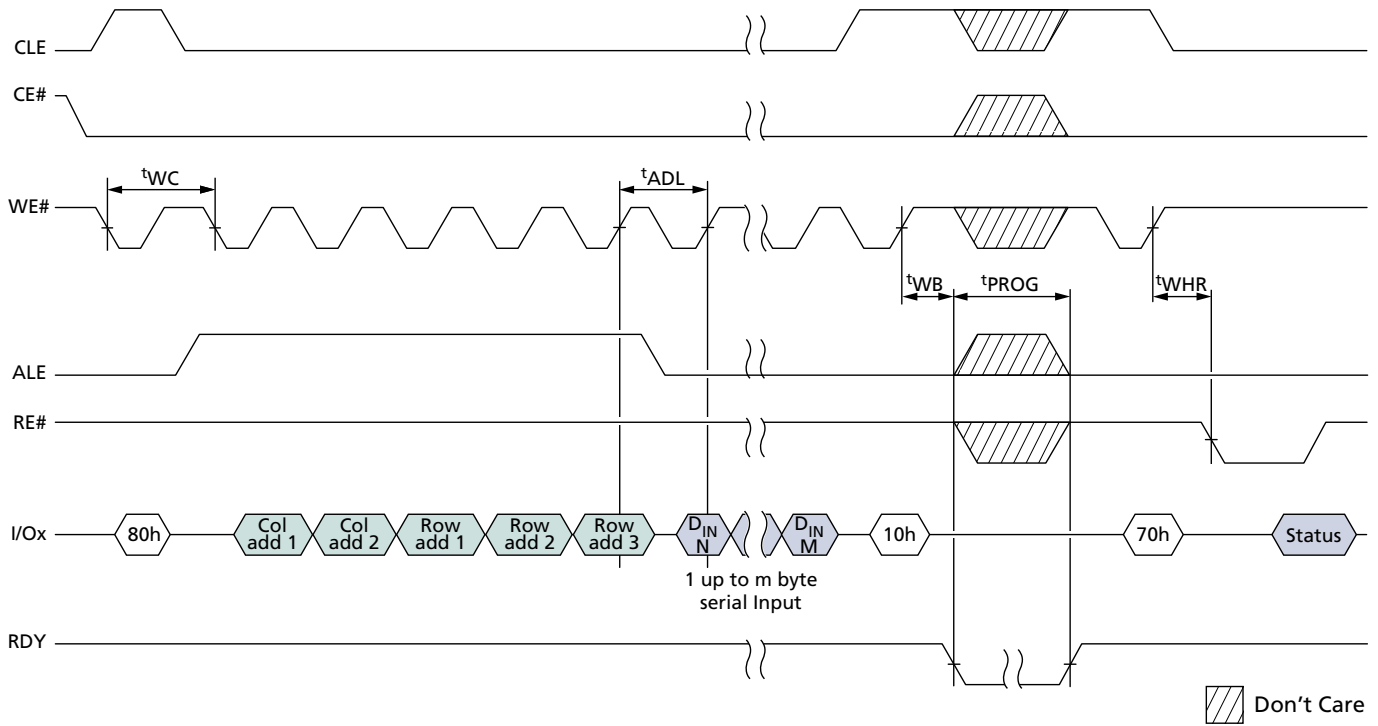


# 149-Ball NAND Flash with LPDDR4/LPDDR4X MCP Asynchronous Interface Timing Diagrams

**Figure 70: READ ID Operation**



**Figure 71: PROGRAM PAGE Operation**

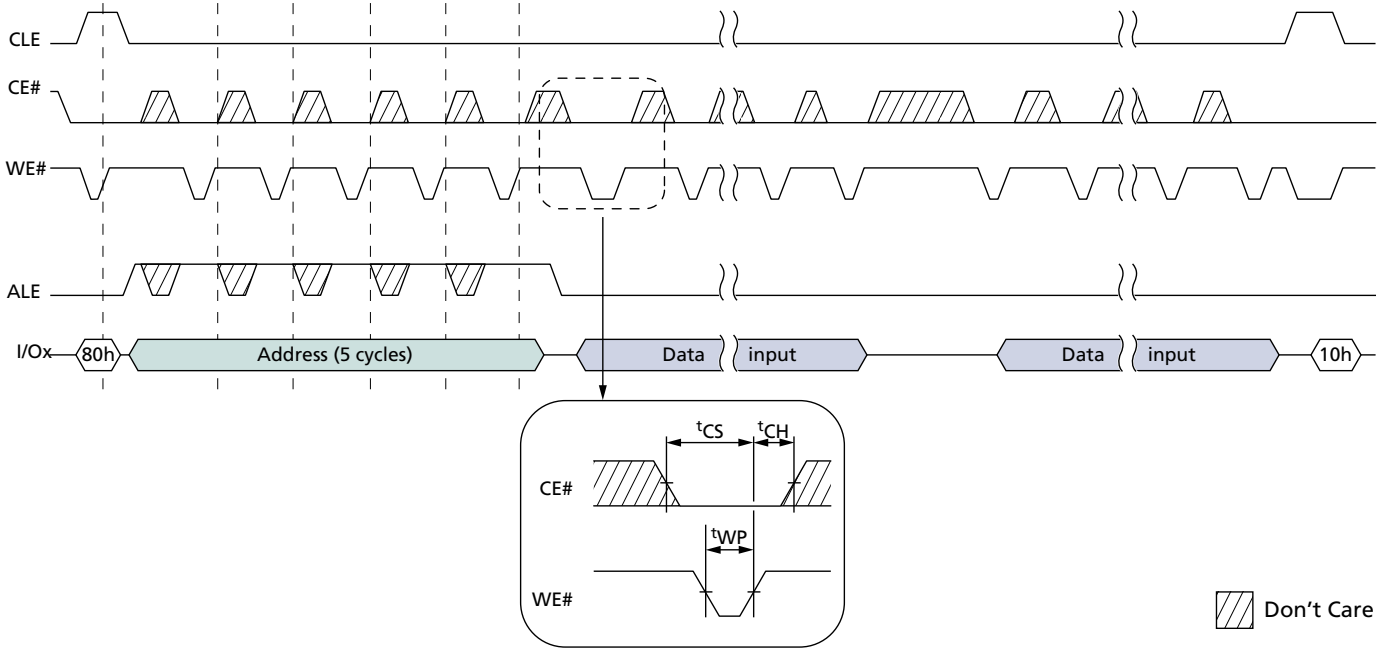


Don't Care

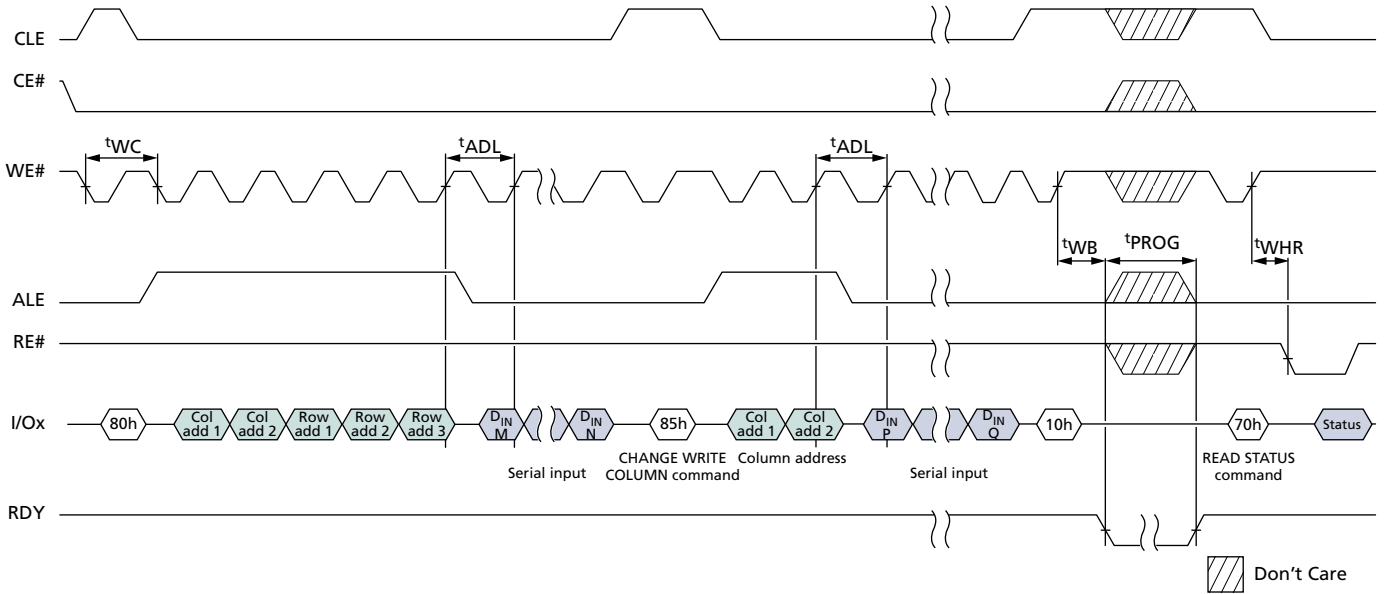


# 149-Ball NAND Flash with LPDDR4/LPDDR4X MCP Asynchronous Interface Timing Diagrams

**Figure 72: PROGRAM PAGE Operation with CE# "Don't Care"**



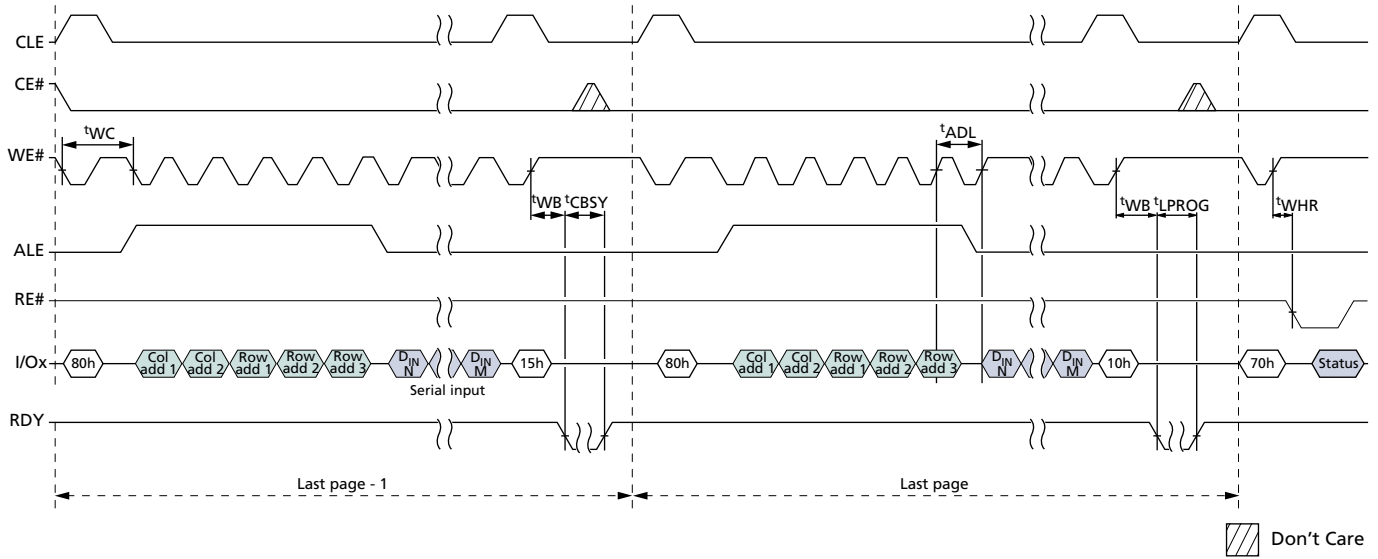
**Figure 73: PROGRAM PAGE Operation with RANDOM DATA INPUT**



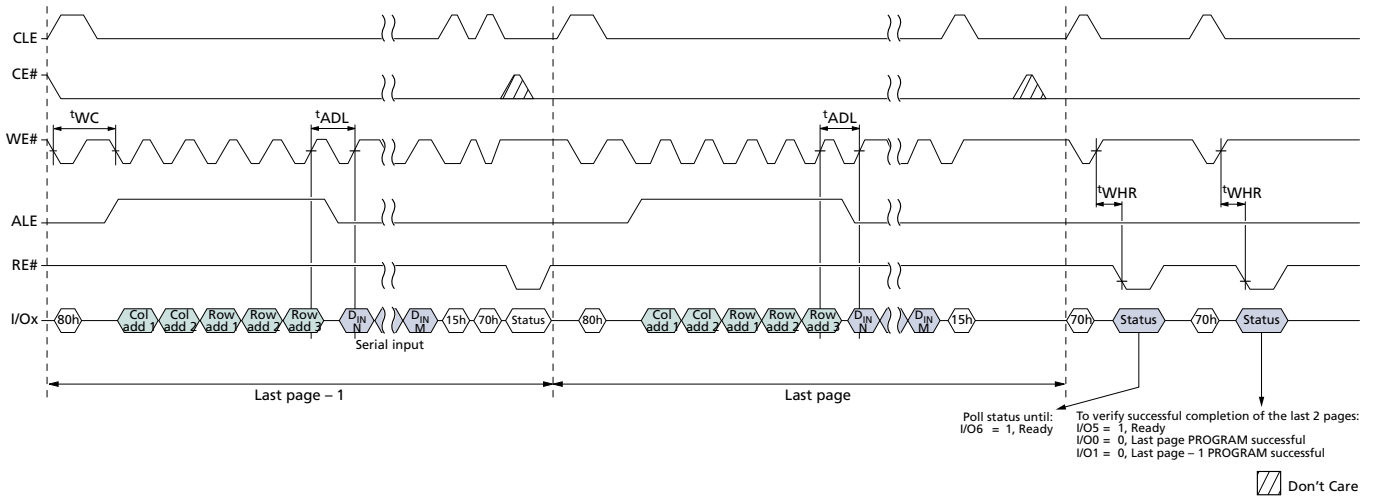


# 149-Ball NAND Flash with LPDDR4/LPDDR4X MCP Asynchronous Interface Timing Diagrams

**Figure 74: PROGRAM PAGE CACHE**



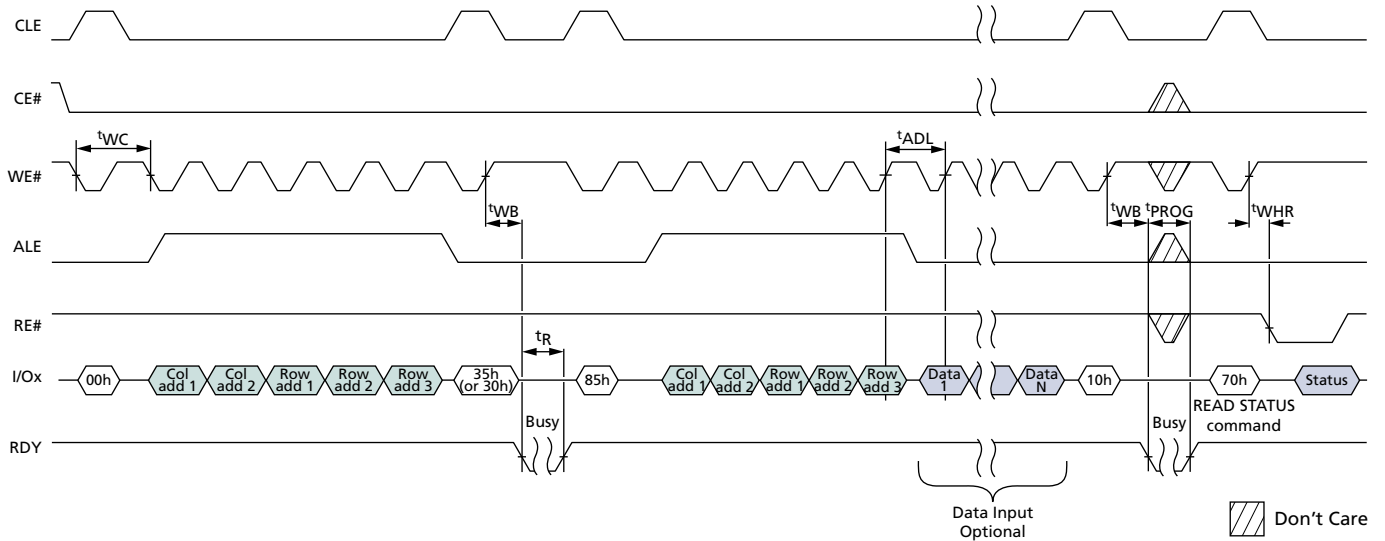
**Figure 75: PROGRAM PAGE CACHE Ending on 15h**



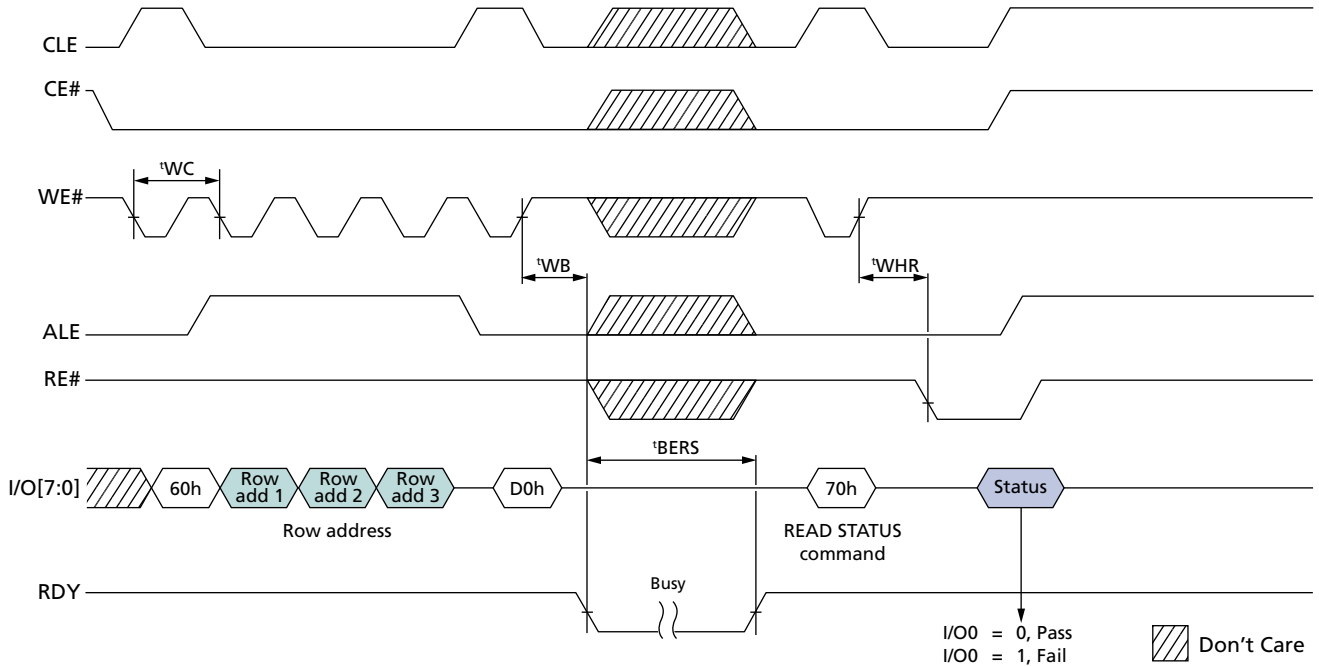


# 149-Ball NAND Flash with LPDDR4/LPDDR4X MCP Asynchronous Interface Timing Diagrams

**Figure 76: INTERNAL DATA MOVE**



**Figure 77: ERASE BLOCK Operation**





## 4Gb: x16 Mobile LPDDR4/LPDDR4X SDRAM

Hereafter, for general 4Gb Mobile LPDDR4/LPDDR4X SDRAM, only one die specification is described. Electrical specification, including die internal organization and operating temperature range, are defined in Features in cover page.  $I_{DD}$  values can be calculated according to the die configuration in the package.

### Features

- Ultra-low-voltage core and I/O power supplies
  - $V_{DD1}$  = 1.70–1.95V; 1.8V nominal
  - $V_{DD2}$  = 1.06–1.17V; 1.10V nominal
  - $V_{DDQ}$  = 1.06–1.17V; 1.10V nominal  
or Low  $V_{DDQ}$  = 0.57–0.65V; 0.60V nominal
- JEDEC LPDDR4/LPDDR4X-compliant
- Frequency range
  - 2133–10 MHz (data rate range: 4266–20 Mb/s/pin)
- 16n prefetch DDR architecture
- 8 internal banks per channel for concurrent operation
- Single-data-rate CMD/ADR entry
- Bidirectional/differential data strobe per byte lane
- Programmable READ and WRITE latencies (RL/WL)
- Programmable and on-the-fly burst lengths (BL = 16, 32)
- Directed per-bank refresh for concurrent bank operation and ease of command scheduling
- Up to 8.5 GB/s per die
- On-chip temperature sensor to control self refresh rate
- Partial-array self refresh (PASR)
- Selectable output drive strength (DS)
- Clock-stop capability
- RoHS-compliant, “green” packaging
- Programmable  $V_{SS}$  (ODT) termination

**Table 39: Key Timing Parameters**

Speed Grade	Clock Rate (MHz)	Data Rate (Mb/s/pin)	WRITE Latency		READ Latency	
			Set A	Set B	DBI Disabled	DBI Enabled
-053	1866	3733	16	30	32	36
-046	2133	4266	18	34	36	40



## 149-Ball NAND Flash with LPDDR4/LPDDR4X MCP General Description

### General Description

The 4Gb Mobile Low-Power DDR4 SDRAM with low  $V_{DDQ}$  (LPDDR4X) is a high-speed CMOS, dynamic random-access memory. The device is internally configured with x16 I/O, 8-banks.

Each of the x16's 536,870,912-bit banks is organized as 32,768 rows by 1024 columns by 16 bits.

### General Notes

Throughout the data sheet, figures and text refer to DQs as "DQ." DQ should be interpreted as any or all DQ collectively, unless specifically stated otherwise.

"DQS" and "CK" should be interpreted as DQS\_t, DQS\_c and CK\_t, CK\_c respectively, unless specifically stated otherwise. "CA" includes all CA pins used for a given density.

In timing diagrams, "CMD" is used as an indicator only. Actual signals occur on CA[5:0].  $V_{REF}$  indicates  $V_{REF(CA)}$  and  $V_{REF(DQ)}$ .

Complete functionality may be described throughout the entire document. Any page or diagram may have been simplified to convey a topic and may not be inclusive of all requirements.

Any specific requirement takes precedence over a general statement.

Any functionality not specifically stated herein is considered undefined, illegal, is not supported, and will result in unknown operation.



## 149-Ball NAND Flash with LPDDR4/LPDDR4X MCP MR0, MR[6:5], MR8, MR13, MR24 Definition

### MR0, MR[6:5], MR8, MR13, MR24 Definition

Table 40: Mode Register Contents

Mode Register	OP7	OP6	OP5	OP4	OP3	OP2	OP1	OP0
MR0							<b>Latency Mode</b>	<b>REF</b>
	OP[0] = 0b: Both legacy and modified refresh mode supported OP[1] = 0b: Device supports normal latency							
MR5	<b>Manufacturer ID</b>							
	1111 1111b : Micron							
MR6	<b>Revision ID1</b>							
	0000 0011b							
MR8	<b>I/O Width</b>		<b>Density</b>					
	OP[7:6] = 00b: x16/channel		OP[5:2] = 0010b: 4Gb single-channel die					
MR13						<b>VRO</b>		
	OP[2] = 0b: Normal operation (default) 1b: Output the $V_{REF(CA)}$ value on DQ7 and $V_{REF(DQ)}$ value on DQ6							
MR24	<b>TRR Mode</b>				<b>Unlimited MAC</b>	<b>MAC Value</b>		
	OP[3:0] = 1000b: Unlimited MAC OP[7] = 0b: Disable (default) 1b: Reserved							

- Notes:
1. The contents of MR0, MR[6:5], MR8, MR13, and MR24 will reflect information specific to each die in these packages.
  2. Other bits not defined above and other mode registers are referred to Mode Register Assignments and Definitions section.





## 149-Ball NAND Flash with LPDDR4/LPDDR4X MCP LPDDR4 I<sub>DD</sub> Parameters

### LPDDR4 I<sub>DD</sub> Parameters

Refer to LPDDR4 I<sub>DD</sub> Specification Parameters and Test Conditions section for detailed conditions.

**Table 41: LPDDR4 I<sub>DD</sub> Specifications under 3733 Mb/s – Single Die**

V<sub>DD2</sub>, V<sub>DDQ</sub> = 1.06–1.17V; V<sub>DD1</sub> = 1.70–1.95V

Parameter	Supply	T <sub>C</sub> /3733 Mb/s			Unit	Note
		95°C	105°C	125°C		
I <sub>DD01</sub>	V <sub>DD1</sub>	3.2	3.2	3.8	mA	
I <sub>DD02</sub>	V <sub>DD2</sub>	40.0	40.0	45.2		
I <sub>DD0Q</sub>	V <sub>DDQ</sub>	0.80	0.80	1.0		
I <sub>DD2P1</sub>	V <sub>DD1</sub>	1.4	1.4	1.9	mA	
I <sub>DD2P2</sub>	V <sub>DD2</sub>	2.6	2.6	3.4		
I <sub>DD2PQ</sub>	V <sub>DDQ</sub>	0.80	0.80	1.2		
I <sub>DD2PS1</sub>	V <sub>DD1</sub>	1.4	1.4	1.9	mA	
I <sub>DD2PS2</sub>	V <sub>DD2</sub>	2.6	2.6	3.4		
I <sub>DD2PSQ</sub>	V <sub>DDQ</sub>	0.80	0.80	1.2		
I <sub>DD2N1</sub>	V <sub>DD1</sub>	1.4	1.4	2.0	mA	
I <sub>DD2N2</sub>	V <sub>DD2</sub>	22.8	25.0	30.4		
I <sub>DD2NQ</sub>	V <sub>DDQ</sub>	0.80	0.80	1.0		
I <sub>DD2NS1</sub>	V <sub>DD1</sub>	1.4	1.4	2.0	mA	
I <sub>DD2NS2</sub>	V <sub>DD2</sub>	18.0	18.0	23.2		
I <sub>DD2NSQ</sub>	V <sub>DDQ</sub>	0.80	0.80	1.0		
I <sub>DD3P1</sub>	V <sub>DD1</sub>	1.4	1.4	2.0	mA	
I <sub>DD3P2</sub>	V <sub>DD2</sub>	13.0	13.0	18.5		
I <sub>DD3PQ</sub>	V <sub>DDQ</sub>	0.80	0.80	1.2		
I <sub>DD3PS1</sub>	V <sub>DD1</sub>	1.4	1.4	2.0	mA	
I <sub>DD3PS2</sub>	V <sub>DD2</sub>	13.0	13.0	18.5		
I <sub>DD3PSQ</sub>	V <sub>DDQ</sub>	0.80	0.80	1.2		
I <sub>DD3N1</sub>	V <sub>DD1</sub>	1.7	1.7	2.2	mA	
I <sub>DD3N2</sub>	V <sub>DD2</sub>	27.3	28.0	34.9		
I <sub>DD3NQ</sub>	V <sub>DDQ</sub>	0.80	0.80	1.0		
I <sub>DD3NS1</sub>	V <sub>DD1</sub>	1.7	1.7	2.2	mA	
I <sub>DD3NS2</sub>	V <sub>DD2</sub>	21.4	22.0	27.5		
I <sub>DD3NSQ</sub>	V <sub>DDQ</sub>	0.80	0.80	1.0		
I <sub>DD4R1</sub>	V <sub>DD1</sub>	2.1	2.1	2.5	mA	2, 3
I <sub>DD4R2</sub>	V <sub>DD2</sub>	322	330	342		
I <sub>DD4RQ</sub>	V <sub>DDQ</sub>	137	137	139		
I <sub>DD4W1</sub>	V <sub>DD1</sub>	2.1	2.1	2.5	mA	3
I <sub>DD4W2</sub>	V <sub>DD2</sub>	272	280	292		
I <sub>DD4WQ</sub>	V <sub>DDQ</sub>	0.80	0.80	0.90		



**149-Ball NAND Flash with LPDDR4/LPDDR4X MCP  
LPDDR4 I<sub>DD</sub> Parameters**

**Table 41: LPDDR4 I<sub>DD</sub> Specifications under 3733 Mb/s – Single Die (Continued)**

V<sub>DD2</sub>, V<sub>DDQ</sub> = 1.06–1.17V; V<sub>DD1</sub> = 1.70–1.95V

Parameter	Supply	T <sub>C</sub> /3733 Mb/s			Unit	Note
		95°C	105°C	125°C		
I <sub>DD51</sub>	V <sub>DD1</sub>	10.0	10.0	11.2	mA	
I <sub>DD52</sub>	V <sub>DD2</sub>	76.0	76.0	83.0		
I <sub>DD5Q</sub>	V <sub>DDQ</sub>	0.80	0.80	1.0		
I <sub>DD5AB1</sub>	V <sub>DD1</sub>	4.2	4.2	5.8	mA	
I <sub>DD5AB2</sub>	V <sub>DD2</sub>	40.0	40.0	47.1		
I <sub>DD5ABQ</sub>	V <sub>DDQ5</sub>	0.80	0.80	1.0		
I <sub>DD5PB1</sub>	V <sub>DD1</sub>	4.2	4.2	5.8	mA	
I <sub>DD5PB2</sub>	V <sub>DD2</sub>	40.0	40.0	47.4		
I <sub>DD5PBQ</sub>	V <sub>DDQ</sub>	0.80	0.80	1.0		

- Notes:
1. Published I<sub>DD</sub> values, except I<sub>DD4RQ</sub>, are the maximum I<sub>DD</sub> values considering the worst-case conditions of process, temperature, and voltage. Refer to the note below for I<sub>DD4RQ</sub>; refer to I<sub>DD6</sub> Full-Array Self Refresh Current table for I<sub>DD6</sub>.
  2. I<sub>DD4RQ</sub> value is reference only. DBI disabled, V<sub>OH</sub> = V<sub>DDQ</sub>/3, T<sub>C</sub> = 25°C.
  3. Measurement conditions of I<sub>DD4R</sub> and I<sub>DD4W</sub> values: DBI disabled, BL = 16.

**Table 42: LPDDR4 I<sub>DD</sub> Specifications under 4266 Mb/s – Single Die**

V<sub>DD2</sub>, V<sub>DDQ</sub> = 1.06–1.17V; V<sub>DD1</sub> = 1.70–1.95V

Parameter	Supply	T <sub>C</sub> /4266 Mb/s			Unit	Note
		95°C	105°C	125°C		
I <sub>DD01</sub>	V <sub>DD1</sub>	3.2	3.2	3.8	mA	
I <sub>DD02</sub>	V <sub>DD2</sub>	42.0	42.0	47.5		
I <sub>DD0Q</sub>	V <sub>DDQ</sub>	0.80	0.80	1.0		
I <sub>DD2P1</sub>	V <sub>DD1</sub>	1.4	1.4	1.9	mA	
I <sub>DD2P2</sub>	V <sub>DD2</sub>	2.6	2.6	3.4		
I <sub>DD2PQ</sub>	V <sub>DDQ</sub>	0.80	0.80	1.2		
I <sub>DD2PS1</sub>	V <sub>DD1</sub>	1.4	1.4	1.9	mA	
I <sub>DD2PS2</sub>	V <sub>DD2</sub>	2.6	2.6	3.4		
I <sub>DD2PSQ</sub>	V <sub>DDQ</sub>	0.80	0.80	1.2		
I <sub>DD2N1</sub>	V <sub>DD1</sub>	1.4	1.4	2.0	mA	
I <sub>DD2N2</sub>	V <sub>DD2</sub>	23.8	26.0	31.7		
I <sub>DD2NQ</sub>	V <sub>DDQ</sub>	0.80	0.80	1.0		
I <sub>DD2NS1</sub>	V <sub>DD1</sub>	1.4	1.4	2.0	mA	
I <sub>DD2NS2</sub>	V <sub>DD2</sub>	18.0	18.0	23.2		
I <sub>DD2NSQ</sub>	V <sub>DDQ</sub>	0.80	0.80	1.0		
I <sub>DD3P1</sub>	V <sub>DD1</sub>	1.4	1.4	2.0	mA	
I <sub>DD3P2</sub>	V <sub>DD2</sub>	13.0	13.0	18.5		
I <sub>DD3PQ</sub>	V <sub>DDQ</sub>	0.80	0.80	1.2		



## 149-Ball NAND Flash with LPDDR4/LPDDR4X MCP LPDDR4 I<sub>DD</sub> Parameters

**Table 42: LPDDR4 I<sub>DD</sub> Specifications under 4266 Mb/s – Single Die (Continued)**
 $V_{DD2}, V_{DDQ} = 1.06\text{--}1.17\text{V}; V_{DD1} = 1.70\text{--}1.95\text{V}$ 

Parameter	Supply	T <sub>C</sub> /4266 Mb/s			Unit	Note
		95°C	105°C	125°C		
I <sub>DD3PS1</sub>	V <sub>DD1</sub>	1.4	1.4	2.0	mA	
I <sub>DD3PS2</sub>	V <sub>DD2</sub>	13.0	13.0	18.5		
I <sub>DD3PSQ</sub>	V <sub>DDQ</sub>	0.80	0.80	1.2		
I <sub>DD3N1</sub>	V <sub>DD1</sub>	1.7	1.7	2.2	mA	
I <sub>DD3N2</sub>	V <sub>DD2</sub>	28.3	29.0	36.2		
I <sub>DD3NQ</sub>	V <sub>DDQ</sub>	0.80	0.80	1.0		
I <sub>DD3NS1</sub>	V <sub>DD1</sub>	1.7	1.7	2.2	mA	
I <sub>DD3NS2</sub>	V <sub>DD2</sub>	21.4	22.0	27.5		
I <sub>DD3NSQ</sub>	V <sub>DDQ</sub>	0.80	0.80	1.0		
I <sub>DD4R1</sub>	V <sub>DD1</sub>	2.2	2.2	2.7	mA	2, 3
I <sub>DD4R2</sub>	V <sub>DD2</sub>	366	375	389		
I <sub>DD4RQ</sub>	V <sub>DDQ</sub>	152	152	155		
I <sub>DD4W1</sub>	V <sub>DD1</sub>	2.2	2.2	2.7	mA	3
I <sub>DD4W2</sub>	V <sub>DD2</sub>	296	305	319		
I <sub>DD4WQ</sub>	V <sub>DDQ</sub>	0.80	0.80	0.90		
I <sub>DD51</sub>	V <sub>DD1</sub>	10.5	10.5	11.8	mA	
I <sub>DD52</sub>	V <sub>DD2</sub>	80.0	80.0	87.4		
I <sub>DD5Q</sub>	V <sub>DDQ</sub>	0.80	0.80	1.0		
I <sub>DD5AB1</sub>	V <sub>DD1</sub>	4.2	4.2	5.8	mA	
I <sub>DD5AB2</sub>	V <sub>DD2</sub>	45.0	45.0	53.0		
I <sub>DD5ABQ</sub>	V <sub>DDQ5</sub>	0.80	0.80	1.0		
I <sub>DD5PB1</sub>	V <sub>DD1</sub>	4.2	4.2	5.8	mA	
I <sub>DD5PB2</sub>	V <sub>DD2</sub>	45.0	45.0	53.4		
I <sub>DD5PBQ</sub>	V <sub>DDQ</sub>	0.80	0.80	1.0		

- Notes:
1. Published I<sub>DD</sub> values, except I<sub>DD4RQ</sub>, are the maximum I<sub>DD</sub> values considering the worst-case conditions of process, temperature, and voltage. Refer to the note below for I<sub>DD4RQ</sub>; refer to I<sub>DD6</sub> Full-Array Self Refresh Current table for I<sub>DD6</sub>.
  2. I<sub>DD4RQ</sub> value is typical reference only. DBI disabled, V<sub>OH</sub> = V<sub>DDQ</sub>/3, T<sub>C</sub> = 25°C.
  3. Measurement conditions of I<sub>DD4R</sub> and I<sub>DD4W</sub> values: DBI disabled, BL = 16.



## 149-Ball NAND Flash with LPDDR4/LPDDR4X MCP LPDDR4 I<sub>DD</sub> Parameters

**Table 43: LPDDR4 I<sub>DD6</sub> Full-Array Self Refresh Current**
 $V_{DD2}, V_{DDQ} = 1.06\text{--}1.17\text{V}; V_{DD1} = 1.70\text{--}1.95\text{V}$ 

Temperature	Supply	Self Refresh Current/3733 Mb/s and 4266 Mb/s				Unit
		Full-Array	1/2-Array	1/4-Array	1/8-Array	
25°C	V <sub>DD1</sub>	0.10	0.10	0.10	0.10	mA
	V <sub>DD2</sub>	0.30	0.30	0.30	0.30	
	V <sub>DDQ</sub>	0.01	0.01	0.01	0.01	
95°C	V <sub>DD1</sub>	2.5	2.0	2.0	2.0	
	V <sub>DD2</sub>	8.4	6.3	5.0	4.2	
	V <sub>DDQ</sub>	0.80	0.80	0.80	0.80	
105°C	V <sub>DD1</sub>	2.5	2.0	2.0	2.0	
	V <sub>DD2</sub>	12.0	9.0	7.2	6.0	
	V <sub>DDQ</sub>	0.80	0.80	0.80	0.80	

- Notes:
1. I<sub>DD6</sub> 25°C is the typical, I<sub>DD6</sub> 95°C and I<sub>DD6</sub> 105°C are the maximum I<sub>DD</sub> value considering the worst-case conditions of process, temperature, and voltage.
  2. When T<sub>C</sub> > 105°C, self refresh mode is not available.



## 149-Ball NAND Flash with LPDDR4/LPDDR4X MCP LPDDR4X I<sub>DD</sub> Parameters

### LPDDR4X I<sub>DD</sub> Parameters

Refer to LPDDR4X I<sub>DD</sub> Specification Parameters and Test Conditions section for detailed conditions.

**Table 44: LPDDR4X I<sub>DD</sub> Specifications under 3733 Mb/s – Single Die**

V<sub>DD2</sub> = 1.06–1.17V; V<sub>DDQ</sub> = 0.57–0.65V; V<sub>DD1</sub> = 1.70–1.95V

Parameter	Supply	T <sub>C</sub> /3733 Mb/s			Unit	Note
		95°C	105°C	125°C		
I <sub>DD01</sub>	V <sub>DD1</sub>	3.2	3.2	3.8	mA	
I <sub>DD02</sub>	V <sub>DD2</sub>	40.0	40.0	45.2		
I <sub>DD0Q</sub>	V <sub>DDQ</sub>	0.80	0.80	1.0		
I <sub>DD2P1</sub>	V <sub>DD1</sub>	1.4	1.4	1.9	mA	
I <sub>DD2P2</sub>	V <sub>DD2</sub>	2.6	2.6	3.4		
I <sub>DD2PQ</sub>	V <sub>DDQ</sub>	0.80	0.80	1.2		
I <sub>DD2PS1</sub>	V <sub>DD1</sub>	1.4	1.4	1.9	mA	
I <sub>DD2PS2</sub>	V <sub>DD2</sub>	2.6	2.6	3.4		
I <sub>DD2PSQ</sub>	V <sub>DDQ</sub>	0.80	0.80	1.2		
I <sub>DD2N1</sub>	V <sub>DD1</sub>	1.4	1.4	2.0	mA	
I <sub>DD2N2</sub>	V <sub>DD2</sub>	22.8	25.0	30.4		
I <sub>DD2NQ</sub>	V <sub>DDQ</sub>	0.80	0.80	1.0		
I <sub>DD2NS1</sub>	V <sub>DD1</sub>	1.4	1.4	2.0	mA	
I <sub>DD2NS2</sub>	V <sub>DD2</sub>	18.0	18.0	23.2		
I <sub>DD2NSQ</sub>	V <sub>DDQ</sub>	0.80	0.80	1.0		
I <sub>DD3P1</sub>	V <sub>DD1</sub>	1.4	1.4	2.0	mA	
I <sub>DD3P2</sub>	V <sub>DD2</sub>	13.0	13.0	18.5		
I <sub>DD3PQ</sub>	V <sub>DDQ</sub>	0.80	0.80	1.2		
I <sub>DD3PS1</sub>	V <sub>DD1</sub>	1.4	1.4	2.0	mA	
I <sub>DD3PS2</sub>	V <sub>DD2</sub>	13.0	13.0	18.5		
I <sub>DD3PSQ</sub>	V <sub>DDQ</sub>	0.80	0.80	1.2		
I <sub>DD3N1</sub>	V <sub>DD1</sub>	1.7	1.7	2.2	mA	
I <sub>DD3N2</sub>	V <sub>DD2</sub>	27.3	28.0	34.9		
I <sub>DD3NQ</sub>	V <sub>DDQ</sub>	0.80	0.80	1.0		
I <sub>DD3NS1</sub>	V <sub>DD1</sub>	1.7	1.7	2.2	mA	
I <sub>DD3NS2</sub>	V <sub>DD2</sub>	21.4	22.0	27.5		
I <sub>DD3NSQ</sub>	V <sub>DDQ</sub>	0.80	0.80	1.0		
I <sub>DD4R1</sub>	V <sub>DD1</sub>	2.1	2.1	2.5	mA	2, 3
I <sub>DD4R2</sub>	V <sub>DD2</sub>	322	330	342		
I <sub>DD4RQ</sub>	V <sub>DDQ</sub>	91.0	91.0	92.6		
I <sub>DD4W1</sub>	V <sub>DD1</sub>	2.1	2.1	2.5	mA	3
I <sub>DD4W2</sub>	V <sub>DD2</sub>	272	280	292		
I <sub>DD4WQ</sub>	V <sub>DDQ</sub>	0.80	0.80	0.90		



## 149-Ball NAND Flash with LPDDR4/LPDDR4X MCP LPDDR4X I<sub>DD</sub> Parameters

**Table 44: LPDDR4X I<sub>DD</sub> Specifications under 3733 Mb/s – Single Die (Continued)**
 $V_{DD2} = 1.06\text{--}1.17\text{V}; V_{DDQ} = 0.57\text{--}0.65\text{V}; V_{DD1} = 1.70\text{--}1.95\text{V}$ 

Parameter	Supply	T <sub>C</sub> /3733 Mb/s			Unit	Note
		95°C	105°C	125°C		
I <sub>DD51</sub>	V <sub>DD1</sub>	10.0	10.0	11.2	mA	
I <sub>DD52</sub>	V <sub>DD2</sub>	76.0	76.0	83.0		
I <sub>DD5Q</sub>	V <sub>DDQ</sub>	0.80	0.80	1.0		
I <sub>DD5AB1</sub>	V <sub>DD1</sub>	4.2	4.2	5.8	mA	
I <sub>DD5AB2</sub>	V <sub>DD2</sub>	40.0	40.0	47.1		
I <sub>DD5ABQ</sub>	V <sub>DDQ5</sub>	0.80	0.80	1.0		
I <sub>DD5PB1</sub>	V <sub>DD1</sub>	4.2	4.2	5.8	mA	
I <sub>DD5PB2</sub>	V <sub>DD2</sub>	40.0	40.0	47.4		
I <sub>DD5PBQ</sub>	V <sub>DDQ</sub>	0.80	0.80	1.0		

- Notes:
1. Published I<sub>DD</sub> values, except I<sub>DD4RQ</sub>, are the maximum I<sub>DD</sub> values considering the worst-case conditions of process, temperature, and voltage. Refer to the note below for I<sub>DD4RQ</sub>; refer to I<sub>DD6</sub> Full-Array Self Refresh Current table for I<sub>DD6</sub>.
  2. I<sub>DD4RQ</sub> value is typical, for reference only. DBI disabled, V<sub>OH</sub> = 0.5 × V<sub>DDQ</sub>, T<sub>C</sub> = 25°C.
  3. Measurement conditions of I<sub>DD4R</sub> and I<sub>DD4W</sub> values: DBI disabled, BL = 16.

**Table 45: LPDDR4X I<sub>DD</sub> Specifications under 4266 Mb/s – Single Die**
 $V_{DD2} = 1.06\text{--}1.17\text{V}; V_{DDQ} = 0.57\text{--}0.65\text{V}; V_{DD1} = 1.70\text{--}1.95\text{V}$ 

Parameter	Supply	T <sub>C</sub> /4266 Mb/s			Unit	Note
		95°C	105°C	125°C		
I <sub>DD01</sub>	V <sub>DD1</sub>	3.2	3.2	3.8	mA	
I <sub>DD02</sub>	V <sub>DD2</sub>	42.0	42.0	47.5		
I <sub>DD0Q</sub>	V <sub>DDQ</sub>	0.80	0.80	1.0		
I <sub>DD2P1</sub>	V <sub>DD1</sub>	1.4	1.4	1.9	mA	
I <sub>DD2P2</sub>	V <sub>DD2</sub>	2.6	2.6	3.4		
I <sub>DD2PQ</sub>	V <sub>DDQ</sub>	0.80	0.80	1.2		
I <sub>DD2PS1</sub>	V <sub>DD1</sub>	1.4	1.4	1.9	mA	
I <sub>DD2PS2</sub>	V <sub>DD2</sub>	2.6	2.6	3.4		
I <sub>DD2PSQ</sub>	V <sub>DDQ</sub>	0.80	0.80	1.2		
I <sub>DD2N1</sub>	V <sub>DD1</sub>	1.4	1.4	2.0	mA	
I <sub>DD2N2</sub>	V <sub>DD2</sub>	23.8	26.0	31.7		
I <sub>DD2NQ</sub>	V <sub>DDQ</sub>	0.80	0.80	1.0		
I <sub>DD2NS1</sub>	V <sub>DD1</sub>	1.4	1.4	2.0	mA	
I <sub>DD2NS2</sub>	V <sub>DD2</sub>	18.0	18.0	23.2		
I <sub>DD2NSQ</sub>	V <sub>DDQ</sub>	0.80	0.80	1.0		
I <sub>DD3P1</sub>	V <sub>DD1</sub>	1.4	1.4	2.0	mA	
I <sub>DD3P2</sub>	V <sub>DD2</sub>	13.0	13.0	18.5		
I <sub>DD3PQ</sub>	V <sub>DDQ</sub>	0.80	0.80	1.2		



## 149-Ball NAND Flash with LPDDR4/LPDDR4X MCP LPDDR4X I<sub>DD</sub> Parameters

**Table 45: LPDDR4X I<sub>DD</sub> Specifications under 4266 Mb/s – Single Die (Continued)**
 $V_{DD2} = 1.06\text{--}1.17\text{V}; V_{DDQ} = 0.57\text{--}0.65\text{V}; V_{DD1} = 1.70\text{--}1.95\text{V}$ 

Parameter	Supply	T <sub>C</sub> /4266 Mb/s			Unit	Note
		95°C	105°C	125°C		
I <sub>DD3PS1</sub>	V <sub>DD1</sub>	1.4	1.4	2.0	mA	
I <sub>DD3PS2</sub>	V <sub>DD2</sub>	13.0	13.0	18.5		
I <sub>DD3PSQ</sub>	V <sub>DDQ</sub>	0.80	0.80	1.2		
I <sub>DD3N1</sub>	V <sub>DD1</sub>	1.7	1.7	2.2	mA	
I <sub>DD3N2</sub>	V <sub>DD2</sub>	28.3	29.0	36.2		
I <sub>DD3NQ</sub>	V <sub>DDQ</sub>	0.80	0.80	1.0		
I <sub>DD3NS1</sub>	V <sub>DD1</sub>	1.7	1.7	2.2	mA	
I <sub>DD3NS2</sub>	V <sub>DD2</sub>	21.4	22.0	27.5		
I <sub>DD3NSQ</sub>	V <sub>DDQ</sub>	0.80	0.80	1.0		
I <sub>DD4R1</sub>	V <sub>DD1</sub>	2.2	2.2	2.7	mA	2, 3
I <sub>DD4R2</sub>	V <sub>DD2</sub>	366	375	389		
I <sub>DD4RQ</sub>	V <sub>DDQ</sub>	101	101	103		
I <sub>DD4W1</sub>	V <sub>DD1</sub>	2.2	2.2	2.7	mA	3
I <sub>DD4W2</sub>	V <sub>DD2</sub>	296	305	319		
I <sub>DD4WQ</sub>	V <sub>DDQ</sub>	0.80	0.80	0.90		
I <sub>DD51</sub>	V <sub>DD1</sub>	10.5	10.5	11.8	mA	
I <sub>DD52</sub>	V <sub>DD2</sub>	80.0	80.0	87.4		
I <sub>DD5Q</sub>	V <sub>DDQ</sub>	0.80	0.80	1.0		
I <sub>DD5AB1</sub>	V <sub>DD1</sub>	4.2	4.2	5.8	mA	
I <sub>DD5AB2</sub>	V <sub>DD2</sub>	45.0	45.0	53.0		
I <sub>DD5ABQ</sub>	V <sub>DDQ5</sub>	0.80	0.80	1.0		
I <sub>DD5PB1</sub>	V <sub>DD1</sub>	4.2	4.2	5.8	mA	
I <sub>DD5PB2</sub>	V <sub>DD2</sub>	45.0	45.0	53.4		
I <sub>DD5PBQ</sub>	V <sub>DDQ</sub>	0.80	0.80	1.0		

- Notes:
1. Published I<sub>DD</sub> values, except I<sub>DD4RQ</sub>, are the maximum I<sub>DD</sub> values considering the worst-case conditions of process, temperature, and voltage. Refer to the note below for I<sub>DD4RQ</sub>; refer to I<sub>DD6</sub> Full-Array Self Refresh Current table for I<sub>DD6</sub>.
  2. I<sub>DD4RQ</sub> value is typical, for reference only. DBI disabled, V<sub>OH</sub> = 0.5 × V<sub>DDQ</sub>, T<sub>C</sub> = 25°C.
  3. Measurement conditions of I<sub>DD4R</sub> and I<sub>DD4W</sub> values: DBI disabled, BL = 16.



## 149-Ball NAND Flash with LPDDR4/LPDDR4X MCP LPDDR4X I<sub>DD</sub> Parameters

**Table 46: LPDDR4X I<sub>DD6</sub> Full-Array Self Refresh Current**

V<sub>DD2</sub> = 1.06–1.17V; V<sub>DDQ</sub> = 0.57–0.65V; V<sub>DD1</sub> = 1.70–1.95V

Temperature	Supply	Self Refresh Current/3733 Mb/s and 4266 Mb/s				Unit
		Full-Array	1/2-Array	1/4-Array	1/8-Array	
25°C	V <sub>DD1</sub>	0.10	0.10	0.10	0.10	mA
	V <sub>DD2</sub>	0.30	0.30	0.30	0.30	
	V <sub>DDQ</sub>	0.01	0.01	0.01	0.01	
95°C	V <sub>DD1</sub>	2.5	2.0	2.0	2.0	
	V <sub>DD2</sub>	8.4	6.3	5.0	4.2	
	V <sub>DDQ</sub>	0.80	0.80	0.80	0.80	
105°C	V <sub>DD1</sub>	2.5	2.0	2.0	2.0	
	V <sub>DD2</sub>	12.0	9.0	7.2	6.0	
	V <sub>DDQ</sub>	0.80	0.80	0.80	0.80	

- Notes: 1. I<sub>DD6</sub> 25°C is the typical, I<sub>DD6</sub> 95°C and I<sub>DD6</sub> 105°C are the maximum I<sub>DD</sub> value considering the worst-case conditions of process, temperature, and voltage.  
2. When T<sub>C</sub> > 105°C, self refresh mode is not available.





## Functional Description

The Mobile Low-Power DDR4 SDRAM (LPDDR4) is a high-speed CMOS, dynamic random-access memory internally configured with either 1 or 2 channels. Each channel is comprised of 16 DQs and 8 banks.

LPDDR4 uses a 2-tick, single-data-rate (SDR) protocol on the CA bus to reduce the number of input signals in the system. The term "2-tick" means that the command/address is decoded across two transactions, such that half of the command/address is captured with each of two consecutive rising edges of CK. The 6-bit CA bus contains command, address, and bank information. Some commands such as READ, WRITE, MASKED WRITE, and ACTIVATE require two consecutive 2-tick SDR commands to complete the instruction.

LPDDR4 uses a double-data-rate (DDR) protocol on the DQ bus to achieve high-speed operation. The DDR interface transfers two data bits to each DQ lane in one clock cycle and is matched to a  $16n$ -prefetch DRAM architecture. A write/read access consists of a single  $16n$ -bit-wide data transfer to/from the DRAM core and 16 corresponding  $n$ -bit-wide data transfers at the I/O pins.

Read and write accesses to the device are burst-oriented. Accesses start at a selected column address and continue for a programmed number of columns in a programmed sequence.

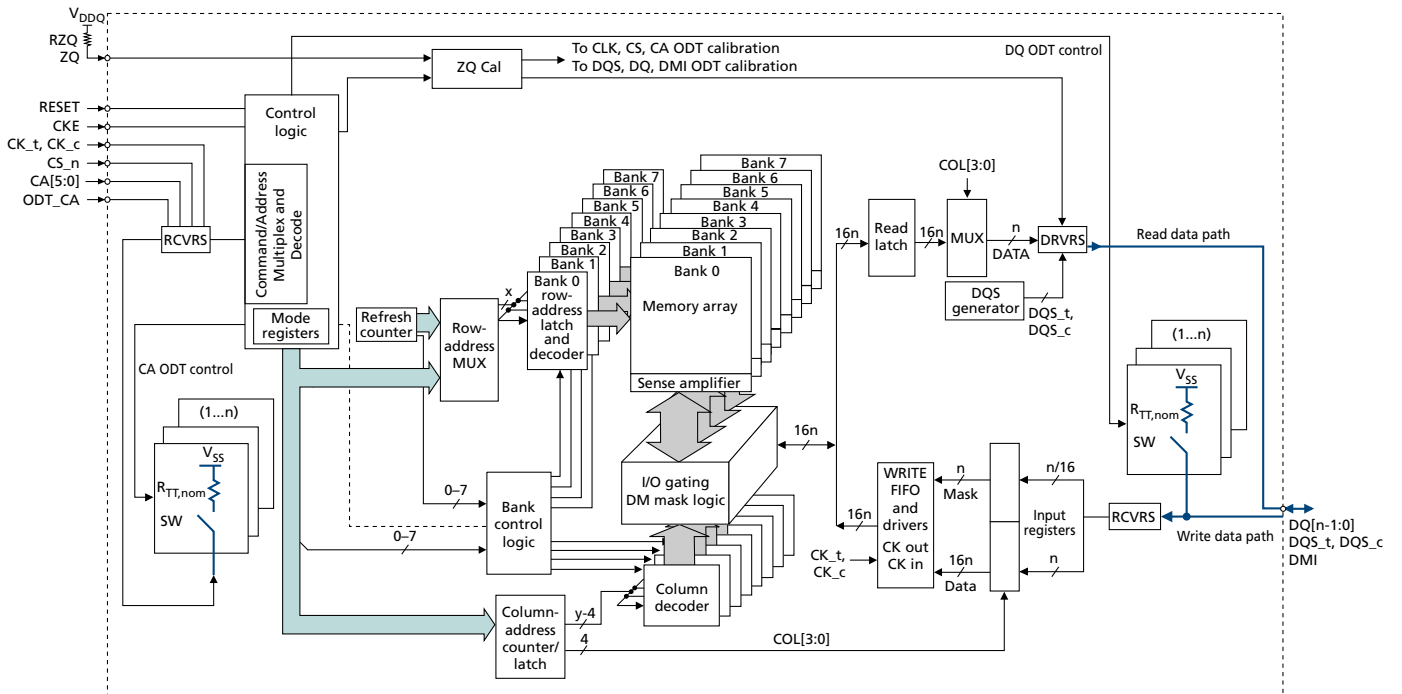
Accesses begin with the registration of an ACTIVATE command to open a row in the memory core, followed by a WRITE or READ command to access column data within the open row. The address and bank address (BA) bits registered by the ACTIVATE command are used to select the bank and row to be opened. The address and BA bits registered with the WRITE or READ command are used to select the bank and the starting column address for the burst access.

Prior to normal operation, the LPDDR4 SDRAM must be initialized. Following sections provide detailed information about device initialization, register definition, command descriptions and device operations.



# 149-Ball NAND Flash with LPDDR4/LPDDR4X MCP Monolithic Device Addressing

**Figure 78: Functional Block Diagram**



## Monolithic Device Addressing

The table below includes all monolithic device addressing options defined by JEDEC. Under the SDRAM Addressing heading near the beginning of this data sheet are addressing details for this product data sheet.



**Table 47: Monolithic Device Addressing – Dual-Channel Die**

Memory Density (Per Die)	4Gb	6Gb	8Gb	12Gb	16Gb	24Gb	32Gb
Memory density (per channel)	2Gb	3Gb	4Gb	6Gb	8Gb	12Gb	16Gb
Configuration	16Mb × 16DQ × 8 banks × 2 channels	24Mb × 16DQ × 8 banks × 2 channels	32Mb × 16DQ × 8 banks × 2 channels	48Mb × 16DQ × 8 banks × 2 channels	64Mb × 16DQ × 8 banks × 2 channels	96Mb × 16DQ × 8 banks × 2 channels	128Mb × 16DQ × 8 banks × 2 channels
Number of channels (per die)	2	2	2	2	2	2	2
Number of banks (per channel)	8	8	8	8	8	8	8
Array prefetch (bits, per channel)	256	256	256	256	256	256	256
Number of rows (per channel)	16,384	24,576	32,768	49,152	65,536	98,304	131,072
Number of columns (fetch boundaries)	64	64	64	64	64	64	64
Page size (bytes)	2048	2048	2048	2048	2048	2048	2048
Channel density (bits per channel)	2,147,483,648	3,221,225,472	4,294,967,296	6,442,450,944	8,589,934,592	12,884,901,888	17,179,869,184
Total density (bits per die)	4,294,967,296	6,442,450,944	8,589,934,592	12,884,901,888	17,179,869,184	25,769,803,776	34,359,738,368
Bank address	BA[2:0]	BA[2:0]	BA[2:0]	BA[2:0]	BA[2:0]	BA[2:0]	BA[2:0]
×16	Row add	R[13:0]  (R13 = 0 when R14 = 1)	R[14:0]	R[15:0]  (R14 = 0 when R15 = 1)	R[15:0]	R[16:0]  (R15 = 0 when R16 = 1)	R[16:0]
	Col. add	C[9:0]	C[9:0]	C[9:0]	C[9:0]	C[9:0]	C[9:0]
Burst starting address boundary	64 bit	64 bit	64 bit	64 bit	64 bit	64 bit	64 bit



**Table 48: Monolithic Device Addressing – Single-Channel Die**

Memory Density (Per Die)	2Gb	3Gb	4Gb	6Gb	8Gb	12Gb	16Gb
Memory density (per channel)	2Gb	3Gb	4Gb	6Gb	8Gb	12Gb	16Gb
Configuration	16Mb × 16 DQ × 8 banks	24Mb × 16 DQ × 8 banks	32Mb × 16 DQ × 8 banks	48Mb × 16 DQ × 8 banks	64Mb × 16 DQ × 8 banks	96Mb × 16 DQ × 8 banks	128Mb × 16 DQ × 8 banks
Number of channels (per die)	1	1	1	1	1	1	1
Number of banks (per channel)	8	8	8	8	8	8	8
Array prefetch (bits, per channel)	256	256	256	256	256	256	256
Number of rows (per channel)	16,384	24,576	32,768	49,152	65,536	98,304	131,072
Number of columns (fetch boundaries)	64	64	64	64	64	64	64
Page size (bytes)	2048	2048	2048	2048	2048	2048	2048
Channel density (bits per channel)	2,147,483,648	3,221,225,472	4,294,967,296	6,442,450,944	8,589,934,592	12,884,901,888	17,179,869,184
Total density (bits per die)	2,147,483,648	3,221,225,472	4,294,967,296	6,442,450,944	8,589,934,592	12,884,901,888	17,179,869,184
Bank address	BA[2:0]	BA[2:0]	BA[2:0]	BA[2:0]	BA[2:0]	BA[2:0]	BA[2:0]
×16	Row add	R[13:0]	R[14:0] (R13 = 0 when R14 = 1)	R[14:0]	R[15:0] (R14 = 0 when R15 = 1)	R[15:0]	R[16:0] (R15 = 0 when R16 = 1)
	Col. add	C[9:0]	C[9:0]	C[9:0]	C[9:0]	C[9:0]	C[9:0]
Burst starting address boundary	64 bit	64 bit	64 bit	64 bit	64 bit	64 bit	64 bit

- Notes:
1. The lower two column addresses (C[1:0]) are assumed to be zero and are not transmitted on the CA bus.
  2. Row and column address values on the CA bus that are not used for a particular density should be at valid logic levels.
  3. For non-binary memory densities, only a quarter of the row address space is invalid. When the MSB address bit is HIGH, then the MSB - 1 address bit must be LOW.

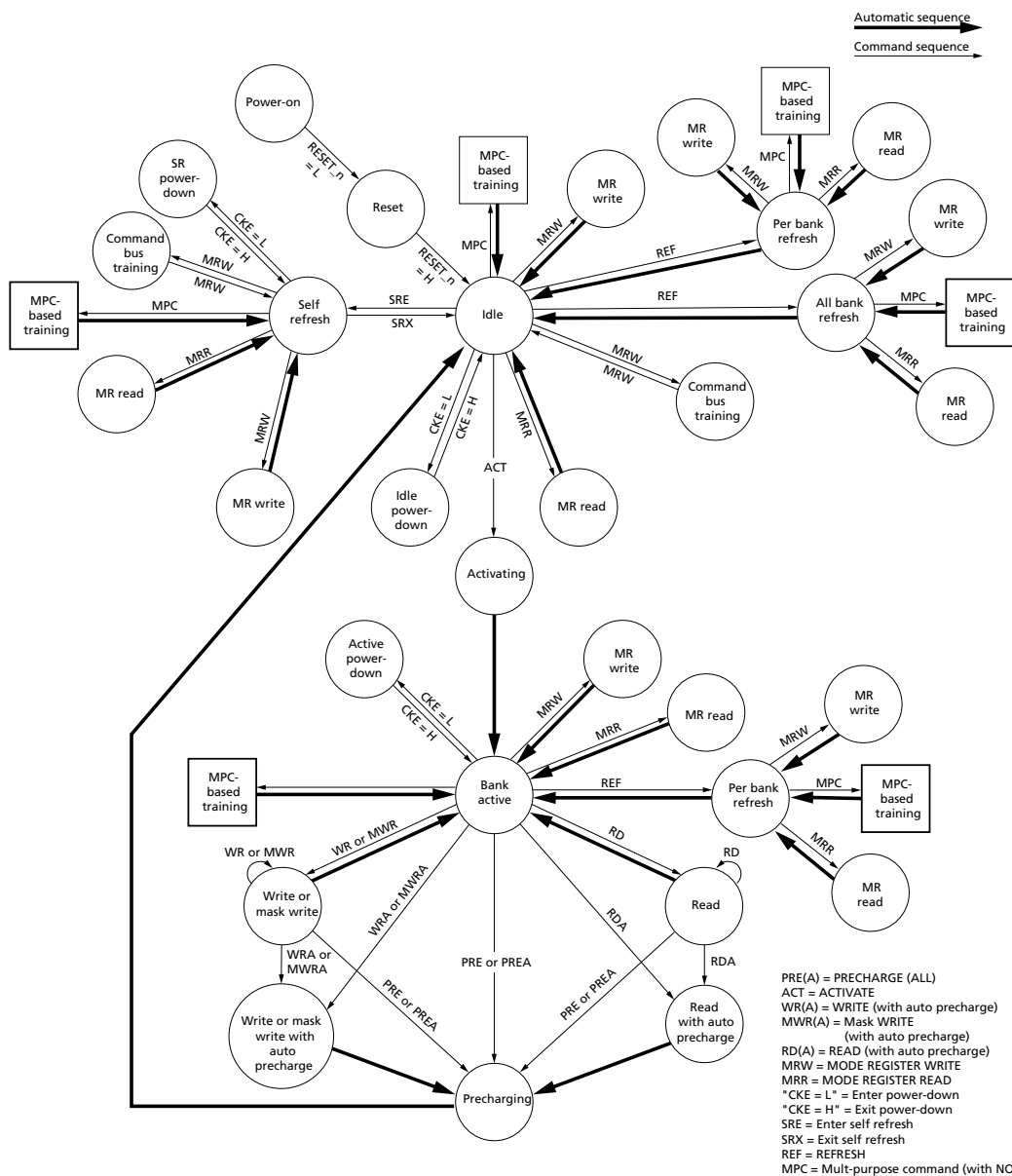


# 149-Ball NAND Flash with LPDDR4/LPDDR4X MCP Simplified Bus Interface State Diagram

## Simplified Bus Interface State Diagram

The state diagram provides a simplified illustration of the bus interface, supported state transitions, and the commands that control them. For a complete description of device behavior, use the information provided in the state diagram with the truth tables and timing specifications. The truth tables describe device behavior and applicable restrictions when considering the actual state of all banks. For command descriptions, see the Commands and Timing section.

Figure 79: Simplified State Diagram



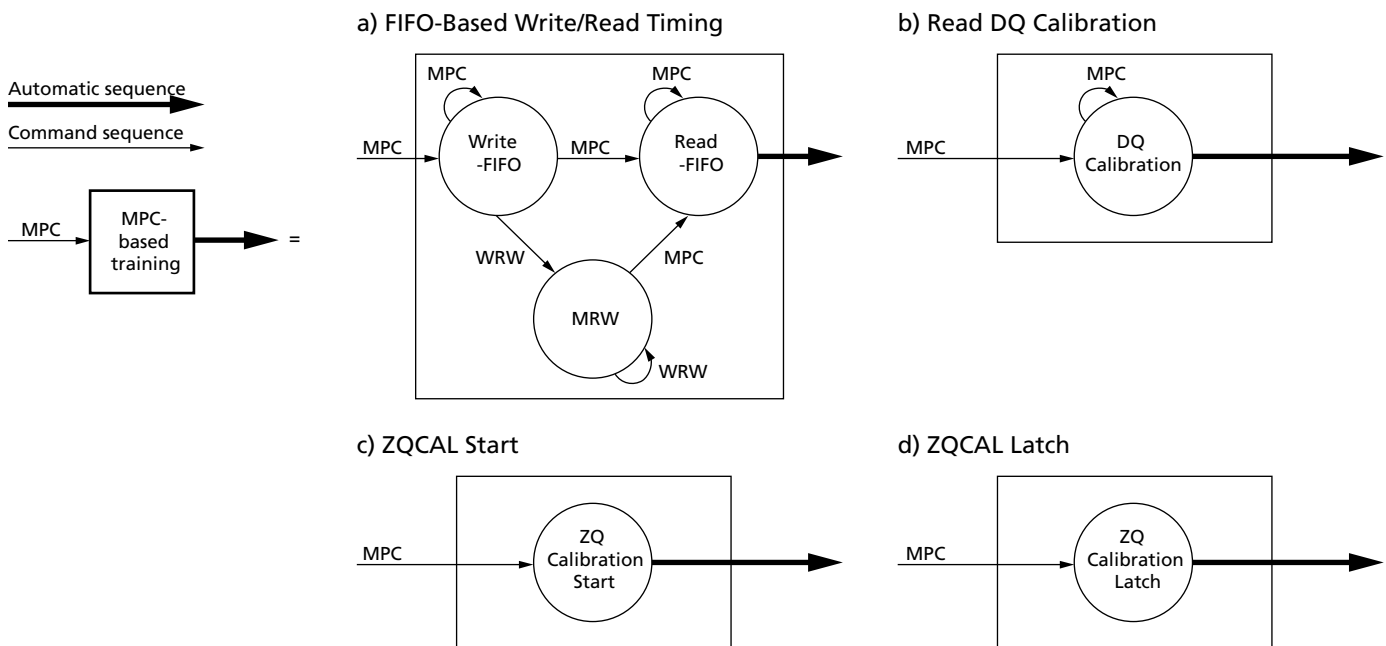
Notes: 1. From the self refresh state, the device can enter power-down, MRR, MRW, or any of the training modes initiated with the MPC command. See the Self Refresh section.



# 149-Ball NAND Flash with LPDDR4/LPDDR4X MCP Power-Up and Initialization

2. All banks are precharged in the idle state.
3. In the case of using an MRW command to enter a training mode, the state machine will not automatically return to the idle state at the conclusion of training. See the applicable training section for more information.
4. In the case of an MPC command to enter a training mode, the state machine may not automatically return to the idle state at the conclusion of training. See the applicable training section for more information.
5. This diagram is intended to provide an overview of the possible state transitions and commands to control them; however, it does not contain the details necessary to operate the device. In particular, situations involving more than one bank are not captured in complete detail.
6. States that have an "automatic return" and can be accessed from more than one prior state (that is, MRW from either idle or active states) will return to the state where they were initiated (that is, MRW from idle will return to idle).
7. The RESET pin can be asserted from any state and will cause the device to enter the reset state. The diagram shows RESET applied from the power-on and idle states as an example, but this should not be construed as a restriction on RESET.
8. MRW commands from the active state cannot change operating parameters of the device that affect timing. Mode register fields which may be changed via MRW from the active state include: MR1-OP[3:0], MR1-OP[7], MR3-OP[7:6], MR10-OP[7:0], MR11-OP[7:0], MR13-OP[5], MR15-OP[7:0], MR16-OP[7:0], MR17-OP[7:0], MR20-OP[7:0], and MR22-OP[4:0].

**Figure 80: Simplified State Diagram**



## Power-Up and Initialization

To ensure proper functionality for power-up and reset initialization, default values for the MR settings are provided in the table below.



## 149-Ball NAND Flash with LPDDR4/LPDDR4X MCP Power-Up and Initialization

**Table 49: Mode Register Default Settings**

Item	Mode Register Setting	Default Setting	Description
FSP-OP/WR	MR13 OP[7:6]	00b	FSP-OP/WR[0] are enabled
WLS	MR2 OP[6]	0b	WRITE latency set A is selected
WL	MR2 OP[5:3]	000b	WL = 4
RL	MR2 OP[2:0]	000b	RL = 6, $nRTP = 8$
$nWR$	MR1 OP[6:4]	000b	$nWR = 6$
DBI-WR/RD	MR3 OP[7:6]	00b	Write and read DBI are disabled
CA ODT	MR11 OP[6:4]	000b	CA ODT is disabled
DQ ODT	MR11 OP[2:0]	000b	DQ ODT is disabled
$V_{REF(CA)}$ setting	MR12 OP[6]	1b	$V_{REF(CA)}$ range[1] is enabled
$V_{REF(CA)}$ value	MR12 OP[5:0]	011101b	Range1: 50.3% of $V_{DDQ}$
$V_{REF(DQ)}$ setting	MR14 OP[6]	1b	$V_{REF(DQ)}$ range[1] enabled
$V_{REF(DQ)}$ value	MR14 OP[5:0]	011101b	Range1: 50.3% of $V_{DDQ}$

The following sequence must be used to power up the device. Unless specified otherwise, this procedure is mandatory. The power-up sequence of all channels must proceed simultaneously.

### Voltage Ramp

1. While applying power (after  $T_a$ ), RESET\_n should be held LOW ( $\leq 0.2 \times V_{DD2}$ ), and all other inputs must be between  $V_{IL,min}$  and  $V_{IH,max}$ . The device outputs remain at High-Z while RESET\_n is held LOW. Power supply voltage ramp requirements are provided in the table below.  $V_{DD1}$  must ramp at the same time or earlier than  $V_{DD2}$ .  $V_{DD2}$  must ramp at the same time or earlier than  $V_{DDQ}$ .

**Table 50: Voltage Ramp Conditions**

After...	Applicable Conditions
Ta is reached	$V_{DD1}$ must be greater than $V_{DD2}$
	$V_{DD2}$ must be greater than $V_{DDQ} - 200mV$

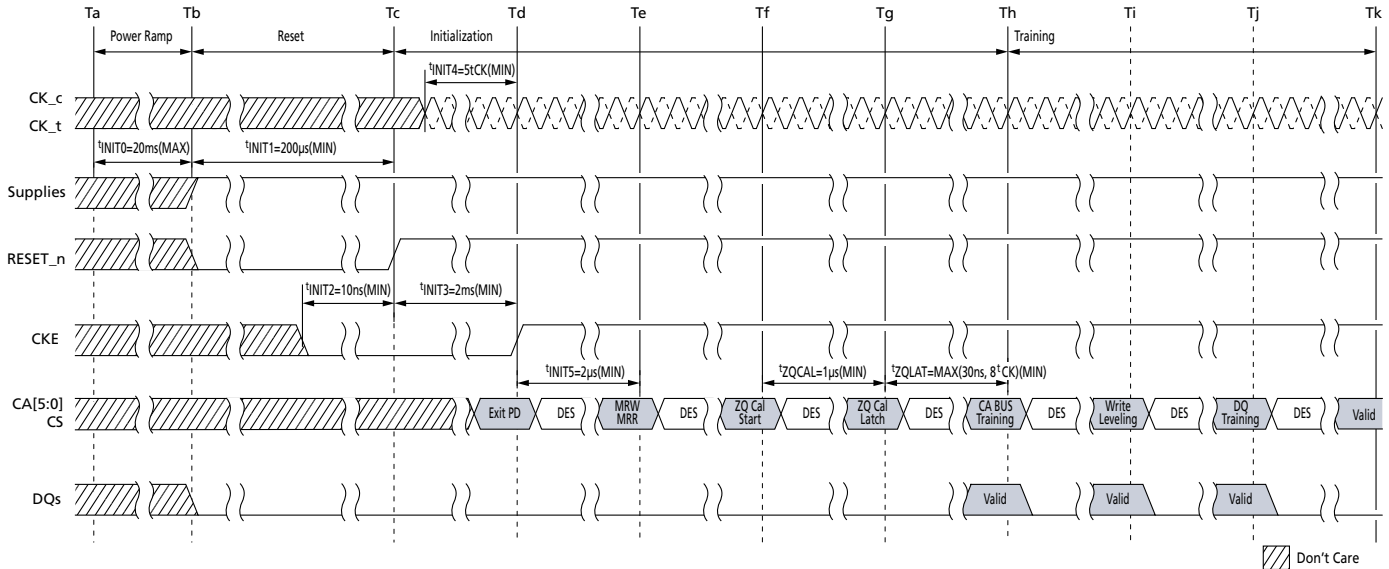
- Notes:
1.  $T_a$  is the point when any power supply first reaches 300mV.
  2. Voltage ramp conditions in above table apply between  $T_a$  and power-off (controlled or uncontrolled).
  3.  $T_b$  is the point at which all supply and reference voltages are within their defined operating ranges.
  4. Power ramp duration  $t_{INIT0}$  ( $T_b - T_a$ ) must not exceed 20ms.
  5. The voltage difference between any  $V_{SS}$  and  $V_{SSQ}$  must not exceed 100mV.
2. Following completion of the of the voltage ramp ( $T_b$ ), RESET\_n must be held LOW for  $t_{INIT1}$ . DQ, DMI, DQS\_t, and DQS\_c voltage levels must be between  $V_{SSQ}$  and  $V_{DDQ}$  during voltage ramp to avoid latch-up. CK\_t and CK\_c, CS, and CA input levels must be between  $V_{SS}$  and  $V_{DD2}$  during voltage ramp to avoid latch-up. Voltage ramp power supply requirements are provided in the table below.



# 149-Ball NAND Flash with LPDDR4/LPDDR4X MCP Power-Up and Initialization

3. Beginning at  $T_b$ , RESET\_n must remain LOW for at least  $t_{INIT1}(T_c)$ , after which RESET\_n can be de-asserted to HIGH( $T_c$ ). At least 10ns before CKE de-assertion, CKE is required to be set LOW. All other input signals are "Don't Care."

**Figure 81: Voltage Ramp and Initialization Sequence**



Note: 1. Training is optional and may be done at the system designer's discretion. The order of training may be different than what is shown here.

4. After RESET\_n is de-asserted( $T_c$ ), wait at least  $t_{INIT3}$  before activating CKE. CK\_t, CK\_c must be started and stabilized for  $t_{INIT4}$  before CKE goes active( $T_d$ ). CS must remain LOW when the controller activates CKE.

5. After CKE is set to HIGH, wait a minimum of  $t_{INIT5}$  to issue any MRR or MRW commands( $T_e$ ). For MRR and MRW commands, the clock frequency must be within the range defined for  $t_{CKb}$ . Some AC parameters (for example,  $t_{DQSCk}$ ) could have relaxed timings (such as  $t_{DQSCkb}$ ) before the system is appropriately configured.

6. After completing all MRW commands to set the pull-up, pull-down, and Rx termination values, the controller can issue the ZQCAL START command to the memory( $T_f$ ). This command is used to calibrate the  $V_{OH}$  level and the output impedance over process, voltage, and temperature. In systems where more than one device share one external ZQ resistor, the controller must not overlap the ZQ calibration sequence of each device. The ZQ calibration sequence is completed after  $t_{ZQCAL}$  ( $T_g$ ). The ZQCAL LATCH command must be issued to update the DQ drivers and DQ + CA ODT to the calibrated values.

7. After  $t_{ZQLAT}$  is satisfied ( $T_h$ ), the command bus (internal  $V_{REF(CA)}$ , CS, and CA) should be trained for high-speed operation by issuing an MRW command (command bus training mode). This command is used to calibrate the device's internal  $V_{REF}$  and align CS/CA with CK for high-speed operation. The device will power-up with receivers configured for low-speed operations and with  $V_{REF(CA)}$  set to a default factory setting. Normal device operation at clock speeds higher than  $t_{CKb}$  may not be possible until command bus training is complete. The command bus training MRW command uses the CA bus as inputs for the calibration data stream, and it outputs the results asynchro-





## 149-Ball NAND Flash with LPDDR4/LPDDR4X MCP Power-Up and Initialization

nously on the DQ bus. See command bus training in the MRW section for information on how to enter/exit the training mode.

8. After command bus training, the controller must perform write leveling. Write leveling mode is enabled when MR2 OP[7] is HIGH(Ti). See the Write Leveling section for a detailed description of the write leveling entry and exit sequence. In write leveling mode, the controller adjusts write DQS timing to the point where the device recognizes the start of write DQ data burst with desired WRITE latency.

9. After write leveling, the DQ bus (internal  $V_{REF(DQ)}$ , DQS, and DQ) should be trained for high-speed operation using the MPC TRAINING commands and by issuing MRW commands to adjust  $V_{REF(DQ)}$ . The device will power-up with receivers configured for low-speed operations and with  $V_{REF(DQ)}$  set to a default factory setting. Normal device operation at clock speeds higher than  $t_{CKb}$  should not be attempted until DQ bus training is complete. The MPC[READ DQ CALIBRATION] command is used together with MPC[READ-FIFO] or MPC[WRITE-FIFO] commands to train the DQ bus without disturbing the memory array contents. See the DQ Bus Training section for more information on the DQ bus training sequence.

10. At  $T_k$ , the device is ready for normal operation and is ready to accept any valid command. Any mode registers that have not previously been configured for normal operation should be written at this time.

**Table 51: Initialization Timing Parameters**

Parameter	Min	Max	Unit	Comment
$t_{INIT0}$	–	20	ms	Maximum voltage ramp time
$t_{INIT1}$	200	–	$\mu$ s	Minimum RESET_n LOW time after completion of voltage ramp
$t_{INIT2}$	10	–	ns	Minimum CKE LOW time before RESET_n goes HIGH
$t_{INIT3}$	2	–	ms	Minimum CKE LOW time after RESET_n goes HIGH
$t_{INIT4}$	5	–	$t_{CK}$	Minimum stable clock before first CKE HIGH
$t_{INIT5}$	2	–	$\mu$ s	Minimum idle time before first MRW/MRR command
$t_{CKb}$	Note 1, 2	Note 1, 2	ns	Clock cycle time during boot

- Notes:
1. Minimum  $t_{CKb}$  guaranteed by DRAM test is 18ns.
  2. The system may boot at a higher frequency than dictated by minimum  $t_{CKb}$ . The higher boot frequency is system dependent.

### Reset Initialization with Stable Power

The following sequence is required for RESET at no power interruption initialization.

1. Assert RESET\_n below  $0.2 \times V_{DD2}$  anytime when reset is needed. RESET\_n needs to be maintained for minimum  $t_{PW\_RESET}$ . CKE must be pulled LOW at least 10ns before de-asserting RESET\_n.
2. Repeat steps 4–10 in Voltage Ramp section.


**Table 52: Reset Timing Parameter**

Parameter	Value		Unit	Comment
	Min	Max		
<sup>t</sup> PW_RESET	100	–	ns	Minimum RESET_n LOW time for reset initialization with stable power

## Power-Off Sequence

### Controlled Power-Off

While powering off, CKE must be held LOW ( $\leq 0.2 \times V_{DD2}$ ); all other inputs must be between  $V_{IL,min}$  and  $V_{IH,max}$ . The device outputs remain at High-Z while CKE is held LOW.

DQ, DMI, DQS\_t, and DQS\_c voltage levels must be between  $V_{SSQ}$  and  $V_{DDQ}$  during the power-off sequence to avoid latch-up. CK\_t, CK\_c, CS, and CA input levels must be between  $V_{SS}$  and  $V_{DD2}$  during the power-off sequence to avoid latch-up.

Tx is the point where any power supply drops below the minimum value specified in the minimum DC Operating Condition.

Tz is the point where all power supplies are below 300mV. After Tz, the device is powered off.

**Table 53: Power Supply Conditions**

The voltage difference between  $V_{SS}$  and  $V_{SSQ}$  must not exceed 100mV

Between...	Applicable Conditions
Tx and Tz	$V_{DD1}$ must be greater than $V_{DD2}$
	$V_{DD2}$ must be greater than $V_{DDQ} - 200mV$

### Uncontrolled Power-Off

When an uncontrolled power-off occurs, the following conditions must be met.

- At Tx, when the power supply drops below the minimum values specified in the Recommended DC Operating Conditions table, all power supplies must be turned off and all power supply current capacity must be at zero, except for any static charge remaining in the system.
- After Tz (the point at which all power supplies first reach 300mV), the device must power off. During this period, the relative voltage between power supplies is uncontrolled.  $V_{DD1}$  and  $V_{DD2}$  must decrease with a slope lower than  $0.5 V/\mu s$  between Tx and Tz.

An uncontrolled power-off sequence can occur a maximum of 400 times over the life of the device.



## 149-Ball NAND Flash with LPDDR4/LPDDR4X MCP Mode Registers

**Table 54: Power-Off Timing**

Parameter	Symbol	Min	Max	Unit
Power-off ramp time	$t_{POFF}$	–	2	sec

## Mode Registers

### Mode Register Assignments and Definitions

Mode register definitions are provided in the Mode Register Assignments table. In the access column of the table, R indicates read-only; W indicates write-only; R/W indicates read- or write-capable or enabled. The MRR command is used to read from a register. The MRW command is used to write to a register.

**Table 55: Mode Register Assignments**

Notes 1–5 apply to entire table

MR#	MA[5:0]	Function	Access	OP7	OP6	OP5	OP4	OP3	OP2	OP1	OP0		
0	00h	Device info	R	RFU			RZQI		RFU	Latency mode	REF		
1	01h	Device feature 1	W	RD-PST	nWR (for AP)			RD-PRE	WR-PRE	BL			
2	02h	Device feature 2	W	WR Lev	WLS	WL			RL				
3	03h	I/O config-1	W	DBI-WR	DBI-RD	PDDS			PPRP	WR-PST	PU-CAL		
4	04h	Refresh and training	R/W	TUF	Thermal offset		PPRE	SR abort	Refresh rate				
5	05h	Basic config-1	R	Manufacturer ID									
6	06h	Basic config-2	R	Revision ID1									
7	07h	Basic config-3	R	Revision ID2									
8	08h	Basic config-4	R	I/O width			Density				Type		
9	09h	Test mode	W	Vendor-specific test mode									
10	0Ah	I/O calibration	W	RFU									ZQ RST
11	0Bh	ODT	W	RFU	CA ODT			RFU	DQ ODT				
12	0Ch	$V_{REF(CA)}$	R/W	RFU	$VR_{CA}$	$V_{REF(CA)}$							
13	0Dh	Register control	W	FSP-OP	FSP-WR	DMD	RRO	VRCG	VRO	RPT	CBT		
14	0Eh	$V_{REF(DQ)}$	R/W	RFU	$VR_{DQ}$	$V_{REF(DQ)}$							
15	0Fh	DQI-LB	W	Lower-byte invert register for DQ calibration									
16	10h	PASR_Bank	W	PASR bank mask									
17	11h	PASR_Seg	W	PASR segment mask									
18	12h	IT-LSB	R	DQS oscillator count – LSB									
19	13h	IT-MSB	R	DQS oscillator count – MSB									
20	14h	DQI-UB	W	Upper-byte invert register for DQ calibration									
21	15h	Vendor use	W	RFU									
22	16h	ODT feature 2	W	ODTD for x8_2ch		ODTD -CA	ODTE -CS	ODTE -CK	SoC ODT				



## 149-Ball NAND Flash with LPDDR4/LPDDR4X MCP Mode Registers

**Table 55: Mode Register Assignments (Continued)**

Notes 1–5 apply to entire table

MR#	MA[5:0]	Function	Access	OP7	OP6	OP5	OP4	OP3	OP2	OP1	OP0
23	17h	DQS oscillator stop	W	DQS oscillator run-time setting							
24	18h	TRR control	R/W	TRR mode	TRR mode BAn			Unltd MAC	MAC value		
25	19h	PPR resources	R	B7	B6	B5	B4	B3	B2	B1	B0
26–29	1Ah~1Dh	–	–	Reserved for future use							
30	1Eh	Reserved for test	W	SDRAM will ignore							
31	1Fh	–	–	Reserved for future use							
32	20h	DQ calibration pattern A	W	See DQ calibration section							
33–38	21h~26h	Do not use	–	Do not use							
39	27h	Reserved for test	W	SDRAM will ignore							
40	28h	DQ calibration pattern B	W	See DQ calibration section							
41–47	29h~2Fh	Do not use	–	Do not use							
48–63	30h~3Fh	Reserved	–	Reserved for future use							

- Notes:
1. RFU bits must be set to 0 during MRW commands.
  2. RFU bits are read as 0 during MRR commands.
  3. All mode registers that are specified as RFU or write-only shall return undefined data when read via an MRR command.
  4. RFU mode registers must not be written.
  5. Writes to read-only registers will not affect the functionality of the device.

**Table 56: MR0 Device Feature 0 (MA[5:0] = 00h)**

OP7	OP6	OP5	OP4	OP3	OP2	OP1	OP0
RFU			RZQI		RFU	Latency mode	REF

**Table 57: MR0 Op-Code Bit Definitions**

Register Information	Type	OP	Definition	Notes
Refresh mode	Read-only	OP[0]	0b: Both legacy and modified refresh mode supported 1b: Only modified refresh mode supported	
Latency mode	Read-only	OP[1]	0b: Device supports normal latency 1b: Device supports byte mode latency	5, 6



# 149-Ball NAND Flash with LPDDR4/LPDDR4X MCP Mode Registers

**Table 57: MR0 Op-Code Bit Definitions (Continued)**

Register Information	Type	OP	Definition	Notes
Built-in self-test for RZQ information	Read-only	OP[4:3]	00b: RZQ self-test not supported 01b: ZQ may connect to V <sub>SSQ</sub> or float 10b: ZQ may short to V <sub>DDQ</sub> 11b: ZQ pin self-test completed, no error condition detected (ZQ may not connect to V <sub>SSQ</sub> , float, or short to V <sub>DDQ</sub> )	1–4

- Notes:
- RZQI MR value, if supported, will be valid after the following sequence:
    - Completion of MPC[ZQCAL START] command to either channel
    - Completion of MPC[ZQCAL LATCH] command to either channel then <sup>t</sup>ZQLAT is satisfied
 RZQI value will be lost after reset.
  - If ZQ is connected to V<sub>SSQ</sub> to set default calibration, OP[4:3] must be set to 01b. If ZQ is not connected to V<sub>SSQ</sub>, either OP[4:3] = 01b or OP[4:3] = 10b might indicate a ZQ pin assembly error. It is recommended that the assembly error be corrected.
  - In the case of possible assembly error, the device will default to factory trim settings for R<sub>ON</sub>, and will ignore ZQ CALIBRATION commands. In either case, the device may not function as intended.
  - If the ZQ pin self-test returns OP[4:3] = 11b, the device has detected a resistor connected to the ZQ pin. However, this result cannot be used to validate the ZQ resistor value or that the ZQ resistor meets the specified limits (that is, 240Ω ±1%).
  - See byte mode addendum spec for byte mode latency details.
  - Byte mode latency for 2Ch. x16 device is only allowed when it is stacked in a same package with byte mode device.

**Table 58: MR1 Device Feature 1 (MA[5:0] = 01h)**

OP7	OP6	OP5	OP4	OP3	OP2	OP1	OP0
RD-PST		nWR (for AP)		RD-PRE	WR-PRE		BL

**Table 59: MR1 Op-Code Bit Definitions**

Feature	Type	OP	Definition	Notes
BL Burst length	Write-only	OP[1:0]	00b: BL = 16 sequential (default) 01b: BL = 32 sequential 10b: BL = 16 or 32 sequential (on-the-fly) 11b: Reserved	1
WR-PRE Write preamble length	Write-only	OP[2]	0b: Reserved 1b: WR preamble = 2 × <sup>t</sup> CK	5, 6
RD-PRE Read preamble type	Write-only	OP[3]	0b: RD preamble = Static (default) 1b: RD preamble = Toggle	3, 5, 6



## 149-Ball NAND Flash with LPDDR4/LPDDR4X MCP Mode Registers

**Table 59: MR1 Op-Code Bit Definitions (Continued)**

Feature	Type	OP	Definition	Notes
<i>n</i> WR Write-recovery for AUTO PRECHARGE command	Write-only	OP[6:4]	000b: <i>n</i> WR = 6 (default) 001b: <i>n</i> WR = 10 010b: <i>n</i> WR = 16 011b: <i>n</i> WR = 20 100b: <i>n</i> WR = 24 101b: <i>n</i> WR = 30 110b: <i>n</i> WR = 34 111b: <i>n</i> WR = 40	2, 5, 6
RD-PST Read postamble length	Write-only	OP[7]	0b: RD postamble = $0.5 \times t_{CK}$ (default) 1b: RD postamble = $1.5 \times t_{CK}$	4, 5, 6

- Notes:
- Burst length on-the-fly can be set to either BL = 16 or BL = 32 by setting the BL bit in the command operands. See the Command Truth Table.
  - The programmed value of *n*WR is the number of clock cycles the device uses to determine the starting point of an internal precharge after a write burst with auto precharge (AP) enabled. See Frequency Ranges for RL, WL, and *n*WR Settings table.
  - For READ operations, this bit must be set to select between a toggling preamble and a non-toggling preamble (see the Preamble section).
  - OP[7] provides an optional read postamble with an additional rising and falling edge of DQS<sub>t</sub>. The optional postamble cycle is provided for the benefit of certain memory controllers.
  - There are two physical registers assigned to each bit of this MR parameter: designated set point 0 and set point 1. Only the registers for the set point determined by the state of the FSP-WR bit (MR13 OP[6]) will be written to with an MRW command to this MR address.
  - There are two physical registers assigned to each bit of this MR parameter: designated set point 0 and set point 1. The device will operate only according to the values stored in the registers for the active set point, that is, the set point determined by the state of the FSP-OP bit (MR13 OP[7]). The values in the registers for the inactive set point will be ignored by the device and may be changed without affecting device operation.

**Table 60: Burst Sequence for Read**

C4	C3	C2	C1	C0	1	2	3	4	5	6	7	8	9	10	11	12	13	14	15	16	17	18	19	20	21	22	23	24	25	26	27	28	29	30	31	32			
<b>16-Bit READ Operation</b>																																							
V	0	0	0	0	0	1	2	3	4	5	6	7	8	9	A	B	C	D	E	F																			
V	0	1	0	0	4	5	6	7	8	9	A	B	C	D	E	F	0	1	2	3																			
V	1	0	0	0	8	9	A	B	C	D	E	F	0	1	2	3	4	5	6	7																			
V	1	1	0	0	C	D	E	F	0	1	2	3	4	5	6	7	8	9	A	B																			
<b>32-Bit READ Operation</b>																																							
0	0	0	0	0	0	1	2	3	4	5	6	7	8	9	A	B	C	D	E	F	10	11	12	13	14	15	16	17	18	19	1A	1B	1C	1D	1E	1F			
0	0	1	0	0	4	5	6	7	8	9	A	B	C	D	E	F	0	1	2	3	14	15	16	17	18	19	1A	1B	1C	1D	1E	1F	10	11	12	13			
0	1	0	0	0	8	9	A	B	C	D	E	F	0	1	2	3	4	5	6	7	18	19	1A	1B	1C	1D	1E	1F	10	11	12	13	14	15	16	17			
0	1	1	0	0	C	D	E	F	0	1	2	3	4	5	6	7	8	9	A	B	1C	1D	1E	1F	10	11	12	13	14	15	16	17	18	19	1A	1B			
1	0	0	0	0	10	11	12	13	14	15	16	17	18	19	1A	1B	1C	1D	1E	1F	0	1	2	3	4	5	6	7	8	9	A	B	C	D	E	F			
1	0	1	0	0	14	15	16	17	18	19	1A	1B	1C	1D	1E	1F	10	11	12	13	4	5	6	7	8	9	A	B	C	D	E	F	0	1	2	3			
1	1	0	0	0	18	19	1A	1B	1C	1D	1E	1F	10	11	12	13	14	15	16	17	8	9	A	B	C	D	E	F	0	1	2	3	4	5	6	7			
1	1	1	0	0	1C	1D	1E	1F	10	11	12	13	14	15	16	17	18	19	1A	1B	C	D	E	F	0	1	2	3	4	5	6	7	8	9	A	B			

- Notes:
1. C[1:0] are not present on the CA bus; they are implied to be zero.
  2. The starting burst address is on 64-bit (4n) boundaries.

**Table 61: Burst Sequence for Write**

C4	C3	C2	C1	C0	1	2	3	4	5	6	7	8	9	10	11	12	13	14	15	16	17	18	19	20	21	22	23	24	25	26	27	28	29	30	31	32			
<b>16-Bit WRITE Operation</b>																																							
V	0	0	0	0	0	1	2	3	4	5	6	7	8	9	A	B	C	D	E	F																			
<b>32-Bit WRITE Operation</b>																																							
0	0	0	0	0	0	1	2	3	4	5	6	7	8	9	A	B	C	D	E	F	10	11	12	13	14	15	16	17	18	19	1A	1B	1C	1D	1E	1F			

- Notes:
1. C[1:0] are not present on the CA bus; they are implied to be zero.
  2. The starting burst address is on 256-bit (16n) boundaries for burst length 16.
  3. The starting burst address is on 512-bit (32n) boundaries for burst length 32.
  4. C[3:2] must be set to 0 for all WRITE operations.



## 149-Ball NAND Flash with LPDDR4/LPDDR4X MCP Mode Registers

**Table 62: MR2 Device Feature 2 (MA[5:0] = 02h)**

OP7	OP6	OP5	OP4	OP3	OP2	OP1	OP0
WR Lev	WLS	WL			RL		

**Table 63: MR2 Op-Code Bit Definitions**

Feature	Type	OP	Definition	Notes
RL READ latency	Write-only	OP[2:0]	RL and <i>n</i> RTP for DBI-RD disabled (MR3 OP[6] = 0b)	1, 3, 4
			000b: RL = 6, <i>n</i> RTP = 8 (default) 001b: RL = 10, <i>n</i> RTP = 8 010b: RL = 14, <i>n</i> RTP = 8 011b: RL = 20, <i>n</i> RTP = 8 100b: RL = 24, <i>n</i> RTP = 10 101b: RL = 28, <i>n</i> RTP = 12 110b: RL = 32, <i>n</i> RTP = 14 111b: RL = 36, <i>n</i> RTP = 16	
			RL and <i>n</i> RTP for DBI-RD enabled (MR3 OP[6] = 1b)	
			000b: RL = 6, <i>n</i> RTP = 8 001b: RL = 12, <i>n</i> RTP = 8 010b: RL = 16, <i>n</i> RTP = 8 011b: RL = 22, <i>n</i> RTP = 8 100b: RL = 28, <i>n</i> RTP = 10 101b: RL = 32, <i>n</i> RTP = 12 110b: RL = 36, <i>n</i> RTP = 14 111b: RL = 40, <i>n</i> RTP = 16	





## 149-Ball NAND Flash with LPDDR4/LPDDR4X MCP Mode Registers

**Table 63: MR2 Op-Code Bit Definitions (Continued)**

Feature	Type	OP	Definition	Notes
WL WRITE latency	Write-only	OP[5:3]	WL set A (MR2 OP[6] = 0b) 000b: WL = 4 (default) 001b: WL = 6 010b: WL = 8 011b: WL = 10 100b: WL = 12 101b: WL = 14 110b: WL = 16 111b: WL = 18 <hr/> WL set B (MR2 OP[6] = 1b) 000b: WL = 4 001b: WL = 8 010b: WL = 12 011b: WL = 18 100b: WL = 22 101b: WL = 26 110b: WL = 30 111b: WL = 34	1, 3, 4
WLS WRITE latency set	Write-only	OP[6]	0b: Use WL set A (default) 1b: Use WL set B	1, 3, 4
WR Lev Write leveling	Write-only	OP[7]	0b: Disable write leveling (default) 1b: Enable write leveling	2

- Notes:
1. See Latency Code Frequency Table for allowable frequency ranges for RL/WL/nWR.
  2. After an MRW command to set the write leveling enable bit (OP[7] = 1b), the device remains in the MRW state until another MRW command clears the bit (OP[7] = 0b). No other commands are allowed until the write leveling enable bit is cleared.
  3. There are two physical registers assigned to each bit of this MR parameter: designated set point 0 and set point 1. Only the registers for the set point determined by the state of the FSP-WR bit (MR13 OP[6]) will be written to with an MRW command this MR address, or read from with an MRR command to this address.
  4. There are two physical registers assigned to each bit of this MR parameter: designated set point 0 and set point 1. The device will operate only according to the values stored in the registers for the active set point, that is, the set point determined by the state of the FSP-OP bit (MR13 OP[7]). The values in the registers for the inactive set point will be ignored by the device and may be changed without affecting device operation.
  5. nRTP is valid for BL16 only. For BL32, the SDRAM will add 8 clocks to the nRTP value before starting a precharge.



## 149-Ball NAND Flash with LPDDR4/LPDDR4X MCP Mode Registers

**Table 64: Frequency Ranges for RL, WL, *n*WR, and *n*RTP Settings**

READ Latency		WRITE Latency		<i>n</i> WR	<i>n</i> RTP	Lower Frequency Limit (>)	Upper Frequency Limit (≤)	Units	Notes
No DBI	w/DBI	Set A	Set B						
6	6	4	4	6	8	10	266	MHz	1–6
10	12	6	8	10	8	266	533		
14	16	8	12	16	8	533	800		
20	22	10	18	20	8	800	1066		
24	28	12	22	24	10	1066	1333		
28	32	14	26	30	12	1333	1600		
32	36	16	30	34	14	1600	1866		
36	40	18	34	40	16	1866	2133		

- Notes:
1. The device should not be operated at a frequency above the upper frequency limit or below the lower frequency limit shown for each RL, WL, or *n*WR value.
  2. DBI for READ operations is enabled in MR3 OP[6]. When MR3 OP[6] = 0, then the "No DBI" column should be used for READ latency. When MR3 OP[6] = 1, then the "w/DBI" column should be used for READ latency.
  3. WRITE latency set A and set B are determined by MR2 OP[6]. When MR2 OP[6] = 0, then WRITE latency set A should be used. When MR2 OP[6] = 1, then WRITE latency set B should be used.
  4. The programmed value for *n*RTP is the number of clock cycles the device uses to determine the starting point of an internal PRECHARGE operation after a READ burst with AP (auto precharge) enabled. It is determined by  $RU^{(tRTP/tCK)}$ .
  5. The programmed value of *n*WR is the number of clock cycles the device uses to determine the starting point of an internal PRECHARGE operation after a WRITE burst with AP (auto precharge) enabled. It is determined by  $RU^{(tWR/tCK)}$ .
  6. *n*RTP shown in this table is valid for BL16 only. For BL32, the device will add 8 clocks to the *n*RTP value before starting a precharge.

**Table 65: MR3 I/O Configuration 1 (MA[5:0] = 03h)**

OP7	OP6	OP5	OP4	OP3	OP2	OP1	OP0
DBI-WR	DBI-RD	PDDS			PPRP	WR-PST	PU-CAL



## 149-Ball NAND Flash with LPDDR4/LPDDR4X MCP Mode Registers

**Table 66: MR3 Op-Code Bit Definitions**

Feature	Type	OP	Definition	Notes
PU-CAL (Pull-up calibration point)	Write-only	OP[0]	0b: $V_{DDQ} \times 0.6$	1–4
			1b: $V_{DDQ} \times 0.5$ (default)	
WR-PST (WR postamble length)		OP[1]	0b: WR postamble = $0.5 \times t_{CK}$ (default)	2, 3, 5
			1b: WR postamble = $1.5 \times t_{CK}$	
PPRP (Post-package repair protection)		OP[2]	0b: PPR protection disabled (default)	6
			1b: PPR protection enabled	
PDDS (Pull-down drive strength)		OP[5:3]	000b: RFU	1, 2, 3
			001b: $R_{ZQ}/1$	
			010b: $R_{ZQ}/2$	
			011b: $R_{ZQ}/3$	
	100b: $R_{ZQ}/4$			
	101b: $R_{ZQ}/5$			
	110b: $R_{ZQ}/6$ (default)			
	111b: Reserved			
DBI-RD (DBI-read enable)	OP[6]	0b: Disabled (default)	2, 3	
		1b: Enabled		
DBI-WR (DBI-write enable)	OP[7]	0b: Disabled (default)	2, 3	
		1b: Enabled		

- Notes:
- All values are typical. The actual value after calibration will be within the specified tolerance for a given voltage and temperature. Recalibration may be required as voltage and temperature vary.
  - There are two physical registers assigned to each bit of this MR parameter: designated set point 0 and set point 1. Only the registers for the set point determined by the state of the FSP-WR bit (MR13 OP[6]) will be written to with an MRW command to this MR address, or read from with an MRR command to this address.
  - There are two physical registers assigned to each bit of this MR parameter: designated set point 0 and set point 1. The device will operate only according to the values stored in the registers for the active set point, for example, the set point determined by the state of the FSP-OP bit (MR13 OP[7]). The values in the registers for the inactive set point will be determined by the state of the FSP-OP bit (MR13 OP[7]). The values in the registers for the inactive set point will be ignored by the device, and may be changed without affecting device operation.
  - For dual-channel device, PU-CAL (MR3-OP[0]) must be set the same for both channels on a die. The SDRAM will read the value of only one register (Ch.A or Ch.B); the choice is vendor-specific, so both channels must be set the same.
  - $1.5 \times t_{CK}$  apply > 1.6 GHz clock.
  - If MR3 OP[2] is set to 1b, PPR protection mode is enabled. The PPR protection bit is a sticky bit and can only be set to 0b by a power on reset. MR4 OP[4] controls entry to PPR mode. If PPR protection is enabled then the DRAM will not allow writing of 1b to MR4 OP[4].



## 149-Ball NAND Flash with LPDDR4/LPDDR4X MCP Mode Registers

**Table 67: MR4 Device Temperature (MA[5:0] = 04h)**

OP7	OP6	OP5	OP4	OP3	OP2	OP1	OP0
TUF	Thermal offset		PPRE	SR abort	Refresh rate		

**Table 68: MR4 Op-Code Bit Definitions**

Feature	Type	OP	Definition	Notes
Refresh rate	Read-only	OP[2:0]	000b: SDRAM low temperature operating limit exceeded 001b: 4x refresh 010b: 2x refresh 011b: 1x refresh (default) 100b: 0.5x refresh 101b: 0.25x refresh, no derating 110b: 0.25x refresh, with derating 111b: SDRAM high temperature operating limit exceeded	1–4, 7–9
SR abort (Self refresh abort)	Write	OP[3]	0b: Disable (default) 1b: Device dependent	9
PPRE (Post-package repair entry/ exit)	Write	OP[4]	0b: Exit PPR mode (default) 1b: Enter PPR mode (Reference MR25 OP[7:0] for available PPR resources)	5, 9
Thermal offset-controller offset to TCSR	Write	OP[6:5]	00b: No offset, 0~5°C gradient (default) 01b: 5°C offset, 5~10°C gradient 10b: 10°C offset, 10~15°C gradient 11b: Reserved	9
TUF (Temperature update flag)	Read-only	OP7	0b: OP[2:0] No change in OP[2:0] since last MR4 read (default) 1b: Change in OP[2:0] since last MR4 read	6–8

- Notes:
1. The refresh rate for each MR4 OP[2:0] setting applies to  $t_{REFI}$ ,  $t_{REFIpb}$ , and  $t_{REFW}$ . MR4 OP[2:0] = 011b corresponds to a device temperature of 85°C. Other values require either a longer (2x, 4x) refresh interval at lower temperatures or a shorter (0.5x, 0.25x) refresh interval at higher temperatures. If MR4 OP[2] = 1b, the device temperature is greater than 85°C.
  2. At higher temperatures (>85°C), AC timing derating may be required. If derating is required the device will set MR4 OP[2:0] = 110b. See derating timing requirements in the AC Timing section.
  3. DRAM vendors may or may not report all of the possible settings over the operating temperature range of the device. Each vendor guarantees that their device will work at any temperature within the range using the refresh interval requested by their device.
  4. The device may not operate properly when MR4 OP[2:0] = 000b or 111b.
  5. Post-package repair can be entered or exited by writing to MR4 OP[4].
  6. When MR4 OP[7] = 1b, the refresh rate reported in MR4 OP[2:0] has changed since the last MR4 read. A mode register read from MR4 will reset MR4 OP[7] to 0b.



## 149-Ball NAND Flash with LPDDR4/LPDDR4X MCP Mode Registers

7. MR4 OP[7] = 0b at power-up. MR4 OP[2:0] bits are valid after initialization sequence (Te).
8. See the Temperature Sensor section for information on the recommended frequency of reading MR4.
9. MR4 OP[6:3] can be written in this register. All other bits will be ignored by the device during an MRW command to this register.

**Table 69: MR5 Basic Configuration 1 (MA[5:0] = 05h)**

OP7	OP6	OP5	OP4	OP3	OP2	OP1	OP0
Manufacturer ID							

**Table 70: MR5 Op-Code Bit Definitions**

Feature	Type	OP	Definition
Manufacturer ID	Read-only	OP[7:0]	1111 1111b : Micron All others: Reserved

**Table 71: MR6 Basic Configuration 2 (MA[5:0] = 06h)**

OP7	OP6	OP5	OP4	OP3	OP2	OP1	OP0
Revision ID1							

Note: 1. MR6 is vendor-specific.

**Table 72: MR6 Op-Code Bit Definitions**

Feature	Type	OP	Definition
Revision ID1	Read-only	OP[7:0]	xxxx xxxxb: Revision ID1

Note: 1. MR6 is vendor-specific.

**Table 73: MR7 Basic Configuration 3 (MA[5:0] = 07h)**

OP7	OP6	OP5	OP4	OP3	OP2	OP1	OP0
Revision ID2							

**Table 74: MR7 Op-Code Bit Definitions**

Feature	Type	OP	Definition
Revision ID2	Read-only	OP[7:0]	xxxx xxxxb: Revision ID2

Note: 1. MR7 is vendor-specific.



## 149-Ball NAND Flash with LPDDR4/LPDDR4X MCP Mode Registers

**Table 75: MR8 Basic Configuration 4 (MA[5:0] = 08h)**

OP7	OP6	OP5	OP4	OP3	OP2	OP1	OP0
I/O width		Density				Type	

**Table 76: MR8 Op-Code Bit Definitions**

Feature	Type	OP	Definition
Type	Read-only	OP[1:0]	00b: S16 SDRAM (16n prefetch) All others: Reserved
Density	Read-only	OP[5:2]	0000b: 4Gb dual-channel die/2Gb single-channel die 0001b: 6Gb dual-channel die/3Gb single-channel die 0010b: 8Gb dual-channel die/4Gb single-channel die 0011b: 12Gb dual-channel die/6Gb single-channel die 0100b: 16Gb dual-channel die/8Gb single-channel die 0101b: 24Gb dual-channel die/12Gb single-channel die 0110b: 32Gb dual-channel die/16Gb single-channel die 1100b: 2Gb dual-channel die/1Gb single-channel die All others: Reserved
I/O width	Read-only	OP[7:6]	00b: x16/channel 01b: x8/channel All others: Reserved

**Table 77: MR9 Test Mode (MA[5:0] = 09h)**

OP7	OP6	OP5	OP4	OP3	OP2	OP1	OP0
Vendor-specific test mode							

**Table 78: MR9 Op-Code Definitions**

Feature	Type	OP	Definition
Test mode	Write-only	OP[7:0]	0000000b; Vendor-specific test mode disabled (default)

**Table 79: MR10 Calibration (MA[5:0] = 0Ah)**

OP7	OP6	OP5	OP4	OP3	OP2	OP1	OP0
RFU							ZQ RESET



## 149-Ball NAND Flash with LPDDR4/LPDDR4X MCP Mode Registers

**Table 80: MR10 Op-Code Bit Definitions**

Feature	Type	OP	Definition
ZQ reset	Write-only	OP[0]	0b: Normal operation (default) 1b: ZQ reset

- Notes:
1. See AC Timing table for calibration latency and timing.
  2. If ZQ is connected to  $V_{DDQ}$  through  $R_{ZQ}$ , either the ZQ CALIBRATION function or default calibration (via ZQ reset) is supported. If ZQ is connected to  $V_{SS}$ , the device operates with default calibration and ZQ CALIBRATION commands are ignored. In both cases, the ZQ connection must not change after power is supplied to the device.

**Table 81: MR11 ODT Control (MA[5:0] = 0Bh)**

OP7	OP6	OP5	OP4	OP3	OP2	OP1	OP0
RFU	CA ODT			RFU	DQ ODT		

**Table 82: MR11 Op-Code Bit Definitions**

Feature	Type	OP	Definition	Notes
DQ ODT DQ bus receiver on-die termination	Write-only	OP[2:0]	000b: Disable (default) 001b: RZQ/1 010b: RZQ/2 011b: RZQ/3 100b: RZQ/4 101b: RZQ/5 110b: RZQ/6 111b: RFU	1, 2, 3
CA ODT CA bus receiver on-die termination	Write-only	OP[6:4]	000b: Disable (default) 001b: RZQ/1 010b: RZQ/2 011b: RZQ/3 100b: RZQ/4 101b: RZQ/5 110b: RZQ/6 111b: RFU	1, 2, 3

- Notes:
1. All values are typical. The actual value after calibration will be within the specified tolerance for a given voltage and temperature. Re-calibration may be required as voltage and temperature vary.
  2. There are two physical registers assigned to each bit of this MR parameter: designated set point 0 and set point 1. Only the registers for the set point determined by the state of the FSP-WR bit (MR13 OP[6]) will be written to with an MRW command to this MR address, or read from with an MRR command to this address.
  3. There are two physical registers assigned to each bit of this MR parameter: designated set point 0 and set point 1. The device will operate only according to the values stored



## 149-Ball NAND Flash with LPDDR4/LPDDR4X MCP Mode Registers

in the registers for the active set point, for example, the set point determined by the state of the FSP-OP bit (MR13 OP[7]). The values in the registers for the inactive set point will be ignored by the device and may be changed without affecting device operation.

**Table 83: MR12 Register Information (MA[5:0] = 0Ch)**

OP7	OP6	OP5	OP4	OP3	OP2	OP1	OP0
RFU	$V_{RCA}$	$V_{REF(CA)}$					

**Table 84: MR12 Op-Code Bit Definitions**

Feature	Type	OP	Data	Notes
$V_{REF(CA)}$ $V_{REF(CA)}$ settings	Read/ Write	OP[5:0]	000000b–110010b: See $V_{REF}$ Settings table All others: Reserved	1–3, 5, 6
$V_{RCA}$ $V_{REF(CA)}$ range	Read/ Write	OP[6]	0b: $V_{REF(CA)}$ range[0] enabled 1b: $V_{REF(CA)}$ range[1] enabled (default)	1, 2, 4, 5, 6

- Notes:
1. This register controls the  $V_{REF(CA)}$  levels for frequency set point[1:0]. Values from either  $V_{R(CA)}[0]$  or  $V_{R(CA)}[1]$  may be selected by setting MR12 OP[6] appropriately.
  2. A read to MR12 places the contents of OP[7:0] on DQ[7:0]. Any RFU bits and unused DQ will be set to 0. See the MRR Operation section.
  3. A write to MR12 OP[5:0] sets the internal  $V_{REF(CA)}$  level for FSP[0] when MR13 OP[6] = 0b or sets the internal  $V_{REF(CA)}$  level for FSP[1] when MR13 OP[6] = 1b. The time required for  $V_{REF(CA)}$  to reach the set level depends on the step size from the current level to the new level. See the  $V_{REF(CA)}$  training section.
  4. A write to MR12 OP[6] switches the device between two internal  $V_{REF(CA)}$  ranges. The range (range[0] or range[1]) must be selected when setting the  $V_{REF(CA)}$  register. The value, once set, will be retained until overwritten or until the next power-on or reset event.
  5. There are two physical registers assigned to each bit of this MR parameter: designated set point 0 and set point 1. Only the registers for the set point determined by the state of the FSP-WR bit (MR13 OP[6]) will be written to with an MRW command to this MR address, or read from with an MRR command to this address.
  6. There are two physical registers assigned to each bit of this MR parameter: designated set point 0 and set point 1. The device will operate only according to the values stored in the registers for the active set point, for example, the set point determined by the state of the FSP-OP bit (MR13 OP[7]). The values in the registers for the inactive set point will be ignored by the device, and may be changed without affecting device operation.

**Table 85: MR13 Register Control (MA[5:0] = 0Dh)**

OP[7]	OP[6]	OP[5]	OP[4]	OP[3]	OP[2]	OP[1]	OP[0]
FSP-OP	FSP-WR	DMD	RRO	VRCG	VRO	RPT	CBT





## 149-Ball NAND Flash with LPDDR4/LPDDR4X MCP Mode Registers

**Table 86: MR13 Op-Code Bit Definition**

Feature	Type	OP	Definition	Notes
CBT Command bus training	Write-only	OP[0]	0b: Normal operation (default) 1b: Command bus training mode enabled	1
RPT Read preamble training		OP[1]	0b: Disabled (default) 1b: Read preamble training mode enabled	
VRO $V_{REF}$ output		OP[2]	0b: Normal operation (default) 1b: Output the $V_{REF(CA)}$ and $V_{REF(DQ)}$ values on DQ bits	2
VRCG $V_{REF}$ current generator		OP[3]	0b: Normal operation (default) 1b: Fast response (high current) mode	3
RRO Refresh rate option		OP[4]	0b: Disable codes 001 and 010 in MR4 OP[2:0] 1b: Enable all codes in MR4 OP[2:0]	4, 5
DMD Data mask disable		OP[5]	0b: DATA MASK operation enabled (default) 1b: DATA MASK operation disabled	6
FSP-WR Frequency set point write/ read		OP[6]	0b: Frequency set point[0] (default) 1b: Frequency set point[1]	7
FSP-OP FREQUENCY SET POINT op- eration mode		OP[7]	0b: Frequency set point[0] (default) 1b: Frequency set point[1]	8

- Notes:
1. A write to set OP[0] = 1 causes the LPDDR4 SDRAM to enter the command bus training mode. When OP[0] = 1 and CKE goes LOW, commands are ignored and the contents of CA[5:0] are mapped to the DQ bus. CKE must be brought HIGH before doing a MRW to clear this bit (OP[0] = 0) and return to normal operation. See the Command Bus Training section for more information.
  2. When set, the device will output the  $V_{REF(CA)}$  and  $V_{REF(DQ)}$  voltage on DQ pins. Only the "active" frequency set point, as defined by MR13 OP[7], will be output on the DQ pins. This function allows an external test system to measure the internal  $V_{REF}$  levels. The DQ pins used for  $V_{REF}$  output are vendor-specific.
  3. When OP[3] = 1, the  $V_{REF}$  circuit uses a high current mode to improve  $V_{REF}$  settling time.
  4. MR13 OP[4] RRO bit is valid only when MR0 OP[0] = 1. For LPDDR4 SDRAM with MR0 OP[0] = 0, MR4 OP[2:0] bits are not dependent on MR13 OP[4].
  5. When OP[4] = 0, only 001b and 010b in MR4 OP[2:0] are disabled. LPDDR4 SDRAM must report 011b instead of 001b or 010b in this case. Controller should follow the refresh mode reported by MR4 OP[2:0], regardless of RRO setting. TCSR function does not depend on RRO setting.
  6. When enabled (OP[5] = 0b) data masking is enabled for the device. When disabled (OP[5] = 1b), the device will ignore any mask patterns issued during a MASKED WRITE command. See the Data Mask section for more information.
  7. FSP-WR determines which frequency set point registers are accessed with MRW and MRR commands for the following functions such as  $V_{REF(CA)}$  setting,  $V_{REF(CA)}$  range,  $V_{REF(DQ)}$  setting,  $V_{REF(DQ)}$  range. For more information, refer to Frequency Set Point section.
  8. FSP-OP determines which frequency set point register values are currently used to specify device operation for the following functions such as  $V_{REF(CA)}$  setting,  $V_{REF(CA)}$  range,  $V_{REF(DQ)}$  setting,  $V_{REF(DQ)}$  range. For more information, refer to Frequency Set Point section.



## 149-Ball NAND Flash with LPDDR4/LPDDR4X MCP Mode Registers

**Table 87: Mode Register 14 (MA[5:0] = 0Eh)**

OP[7]	OP[6]	OP[5]	OP[4]	OP[3]	OP[2]	OP[1]	OP[0]
RFU	VR <sub>DQ</sub>	V <sub>REF(DQ)</sub>					

**Table 88: MR14 Op-Code Bit Definition**

Feature	Type	OP	Definition	Notes
V <sub>REF(DQ)</sub> V <sub>REF(DQ)</sub> setting	Read/ Write	OP[5:0]	000000b–110010b: See V <sub>REF</sub> Settings table All others: Reserved	1–3, 5, 6
VR <sub>DQ</sub> V <sub>REF(DQ)</sub> range		OP[6]	0b: V <sub>REF(DQ)</sub> range[0] enabled 1b: V <sub>REF(DQ)</sub> range[1] enabled (default)	1, 2, 4–6

- Notes:
1. This register controls the V<sub>REF(DQ)</sub> levels for frequency set point[1:0]. Values from either VR<sub>DQ</sub>[0] (vendor defined) or VR<sub>DQ</sub>[1] (vendor defined) may be selected by setting OP[6] appropriately.
  2. A read (MRR) to this register places the contents of OP[7:0] on DQ[7:0]. Any RFU bits and unused DQ shall be set to 0. See the MRR Operation section.
  3. A write to OP[5:0] sets the internal V<sub>REF(DQ)</sub> level for FSP[0] when MR13 OP[6] = 0b, or sets FSP[1] when MR13 OP[6] = 1b. The time required for V<sub>REF(DQ)</sub> to reach the set level depends on the step size from the current level to the new level. See the V<sub>REF(DQ)</sub> training section.
  4. A write to OP[6] switches the device between two internal V<sub>REF(DQ)</sub> ranges. The range (range[0] or range[1]) must be selected when setting the V<sub>REF(DQ)</sub> register. The value, once set, will be retained until overwritten, or until the next power-on or reset event.
  5. There are two physical registers assigned to each bit of this MR parameter: designated set point 0 and set point 1. Only the registers for the set point determined by the state of the FSP-WR bit (MR13 OP[6]) will be written to with an MRW command to this MR address, or read from with an MRR command to this address.
  6. There are two physical registers assigned to each bit of this MR parameter: designated set point 0 and set point 1. The device will operate only according to the values stored in the registers for the active set point, for example, the set point determined by the state of the FSP-OP bit (MR13 OP[7]). The values in the registers for the inactive set point will be ignored by the device, and may be changed without affecting device operation.



## 149-Ball NAND Flash with LPDDR4/LPDDR4X MCP Mode Registers

**Table 89: V<sub>REF</sub> Setting for Range[0] and Range[1]**

Notes 1-3 apply to entire table

Function	OP	Range[0] Values		Range[1] Values	
		V <sub>REF(CA)</sub> (% of V <sub>DDQ</sub> ) V <sub>REF(DQ)</sub> (% of V <sub>DDQ</sub> )		V <sub>REF(CA)</sub> (% of V <sub>DDQ</sub> ) V <sub>REF(DQ)</sub> (% of V <sub>DDQ</sub> )	
V <sub>REF</sub> setting for MR12 and MR14	OP[5:0]	000000b: 15.0%	011010b: 30.5%	000000b: 32.9%	011010b: 48.5%
		000001b: 15.6%	011011b: 31.1%	000001b: 33.5%	011011b: 49.1%
		000010b: 16.2%	011100b: 31.7%	000010b: 34.1%	011100b: 49.7%
		000011b: 16.8%	011101b: 32.3%	000011b: 34.7%	011101b: 50.3% (default)
		000100b: 17.4%	011110b: 32.9%	000100b: 35.3%	011110b: 50.9%
		000101b: 18.0%	011111b: 33.5%	000101b: 35.9%	011111b: 51.5%
		000110b: 18.6%	100000b: 34.1%	000110b: 36.5%	100000b: 52.1%
		000111b: 19.2%	100001b: 34.7%	000111b: 37.1%	100001b: 52.7%
		001000b: 19.8%	100010b: 35.3%	001000b: 37.7%	100010b: 53.3%
		001001b: 20.4%	100011b: 35.9%	001001b: 38.3%	100011b: 53.9%
		001010b: 21.0%	100100b: 36.5%	001010b: 38.9%	100100b: 54.5%
		001011b: 21.6%	100101b: 37.1%	001011b: 39.5%	100101b: 55.1%
		001100b: 22.2%	100110b: 37.7%	001100b: 40.1%	100110b: 55.7%
		001101b: 22.8%	100111b: 38.3%	001101b: 40.7%	100111b: 56.3%
		001110b: 23.4%	101000b: 38.9%	001110b: 41.3%	101000b: 56.9%
		001111b: 24.0%	101001b: 39.5%	001111b: 41.9%	101001b: 57.5%
		010000b: 24.6%	101010b: 40.1%	010000b: 42.5%	101010b: 58.1%
		010001b: 25.1%	101011b: 40.7%	010001b: 43.1%	101011b: 58.7%
		010010b: 25.7%	101100b: 41.3%	010010b: 43.7%	101100b: 59.3%
		010011b: 26.3%	101101b: 41.9%	010011b: 44.3%	101101b: 59.9%
		010100b: 26.9%	101110b: 42.5%	010100b: 44.9%	101110b: 60.5%
		010101b: 27.5%	101111b: 43.1%	010101b: 45.5%	101111b: 61.1%
		010110b: 28.1%	110000b: 43.7%	010110b: 46.1%	110000b: 61.7%
		010111b: 28.7%	110001b: 44.3%	010111b: 46.7%	110001b: 62.3%
011000b: 29.3%	110010b: 44.9%	011000b: 47.3%	110010b: 62.9%		
011001b: 29.9%	All others: Reserved	011001b: 47.9%	All others: Reserved		

- Notes:
1. These values may be used for MR14 OP[5:0] and MR12 OP[5:0] to set the V<sub>REF(CA)</sub> or V<sub>REF(DQ)</sub> levels in the device.
  2. The range may be selected in each of the MR14 or MR12 registers by setting OP[6] appropriately.
  3. Each of the MR14 or MR12 registers represents either FSP[0] or FSP[1]. Two frequency set points each for CA and DQ are provided to allow for faster switching between terminated and unterminated operation or between different high-frequency settings, which may use different terminations values.



## 149-Ball NAND Flash with LPDDR4/LPDDR4X MCP Mode Registers

**Table 90: MR15 Register Information (MA[5:0] = 0Fh)**

OP[7]	OP[6]	OP[5]	OP[4]	OP[3]	OP[2]	OP[1]	OP[0]
Lower-byte invert register for DQ calibration							

**Table 91: MR15 Op-code Bit Definition**

Feature	Type	OP	Definition	Notes
Lower-byte invert for DQ calibration	Write-only	OP[7:0]	The following values may be written for any operand OP[7:0] and will be applied to the corresponding DQ locations DQ[7:0] within a byte lane 0b: Do not invert 1b: Invert the DQ calibration patterns in MR32 and MR40 Default value for OP[7:0] = 55h	1–3

- Notes:
1. This register will invert the DQ calibration pattern found in MR32 and MR40 for any single DQ or any combination of DQ. Example: If MR15 OP[7:0] = 00010101b, then the DQ calibration patterns transmitted on DQ[7, 6, 5, 3, 1] will not be inverted, but the DQ calibration patterns transmitted on DQ[4, 2, 0] will be inverted.
  2. DM[0] is not inverted and always transmits the "true" data contained in MR32 and MR40.
  3. No DATA BUS INVERSION (DBI) function is enacted during read DQ calibration, even if DBI is enabled in MR3-OP[6].

**Table 92: MR15 Invert Register Pin Mapping**

PIN	DQ0	DQ1	DQ2	DQ3	DMIO	DQ4	DQ5	DQ6	DQ7
MR15	OP0	OP1	OP2	OP3	No invert	OP4	OP5	OP6	OP7

**Table 93: MR16 PASR Bank Mask (MA[5:0] = 010h)**

OP7	OP6	OP5	OP4	OP3	OP2	OP1	OP0
PASR bank mask							

**Table 94: MR16 Op-Code Bit Definitions**

Feature	Type	OP	Definition
Bank[7:0] mask	Write-only	OP[7:0]	0b: Bank refresh enabled (default) 1b: Bank refresh disabled

OP[n]	Bank Mask	8-Bank SDRAM
0	xxxxxxx1	Bank 0
1	xxxxxx1x	Bank 1
2	xxxxx1xx	Bank 2



## 149-Ball NAND Flash with LPDDR4/LPDDR4X MCP Mode Registers

OP[n]	Bank Mask	8-Bank SDRAM
3	xxxx1xxx	Bank 3
4	xxx1xxxx	Bank 4
5	xx1xxxxx	Bank 5
6	x1xxxxxx	Bank 6
7	1xxxxxxx	Bank 7

- Notes:
1. When a mask bit is asserted (OP[n] = 1), refresh to that bank is disabled.
  2. PASR bank masking is on a per-channel basis; the two channels on the die may have different bank masking in dual-channel devices.

**Table 95: MR17 PASR Segment Mask (MA[5:0] = 11h)**

OP7	OP6	OP5	OP4	OP3	OP2	OP1	OP0
PASR segment mask							

**Table 96: MR17 PASR Segment Mask Definitions**

Feature	Type	OP	Definition
Segment[7:0] mask	Write-only	OP[7:0]	0b: Segment refresh enabled (default) 1b: Segment refresh disabled

**Table 97: MR17 PASR Segment Mask**

Segment	OP	Segment Mask	Density (per channel)							
			1Gb	2Gb	3Gb	4Gb	6Gb	8Gb	12Gb	16Gb
			R[12:10]	R[13:11]	R[14:12]	R[14:12]	R[15:13]	R[15:13]	R[16:14]	R[16:14]
0	0	XXXXXXXX1	000b							
1	1	XXXXXXXX1X	001b							
2	2	XXXXX1XX	010b							
3	3	XXXX1XXX	011b							
4	4	XXX1XXXX	100b							
5	5	XX1XXXXX	101b							
6	6	X1XXXXXX	110b	110b	Not allowed	110b	Not allowed	110b	Not allowed	110b
7	7	1XXXXXXX	111b	111b		111b		111b		111b

- Notes:
1. This table indicates the range of row addresses in each masked segment. "X" is "Don't Care" for a particular segment.
  2. PASR segment-masking is on a per-channel basis. The two channels on the die may have different segment masking in dual-channel devices.
  3. For 3Gb, 6Gb, and 12Gb density per channel, OP[7:6] must always be LOW (= 00b).



## 149-Ball NAND Flash with LPDDR4/LPDDR4X MCP Mode Registers

**Table 98: MR18 Register Information (MA[5:0] = 12h)**

OP7	OP6	OP5	OP4	OP3	OP2	OP1	OP0
DQS oscillator count - LSB							

**Table 99: MR18 LSB DQS Oscillator Count**

Notes 1–3 apply to entire table

Function	Type	OP	Definition
DQS oscillator count (WR training DQS oscillator)	Read-only	OP[7:0]	0h–FFh LSB DRAM DQS oscillator count

- Notes:
- MR18 reports the LSB bits of the DRAM DQS oscillator count. The DRAM DQS oscillator count value is used to train DQS to the DQ data valid window. The value reported by the DRAM in this mode register can be used by the memory controller to periodically adjust the phase of DQS relative to DQ.
  - Both MR18 and MR19 must be read (MRR) and combined to get the value of the DQS oscillator count.
  - The value in this register is reset each time an MPC command is issued to start in the DQS oscillator counter.

**Table 100: MR19 Register Information (MA[5:0] = 13h)**

OP7	OP6	OP5	OP4	OP3	OP2	OP1	OP0
DQS oscillator count – MSB							

**Table 101: MR19 DQS Oscillator Count**

Notes 1–3 apply to the entire table

Function	Type	OP	Definition
DQS oscillator count – MSB (WR training DQS oscillator)	Read-only	OP[7:0]	0h–FFh MSB DRAM DQS oscillator count

- Notes:
- MR19 reports the MSB bits of the DRAM DQS oscillator count. The DRAM DQS oscillator count value is used to train DQS to the DQ data valid window. The value reported by the DRAM in this mode register can be used by the memory controller to periodically adjust the phase of DQS relative to DQ.
  - Both MR18 and MR19 must be read (MRR) and combined to get the value of the DQS oscillator count.
  - A new MPC[START DQS OSCILLATOR] should be issued to reset the contents of MR18/ MR19.

**Table 102: MR20 Register Information (MA[5:0] = 14h)**

OP7	OP6	OP5	OP4	OP3	OP2	OP1	OP0
Upper-byte invert register for DQ calibration							



## 149-Ball NAND Flash with LPDDR4/LPDDR4X MCP Mode Registers

**Table 103: MR20 Register Information**

Notes 1–3 apply to entire table

Function	Type	OP	Definition
Upper-byte invert for DQ calibration	Write-only	OP[7:0]	The following values may be written for any operand OP[7:0] and will be applied to the corresponding DQ locations DQ[15:8] within a byte lane 0b: Do not invert 1b: Invert the DQ calibration patterns in MR32 and MR40 Default value for OP[7:0] = 55h

- Notes:
1. This register will invert the DQ calibration pattern found in MR32 and MR40 for any single DQ or any combination of DQ. For example, if MR20 OP[7:0] = 00010101b, the DQ calibration patterns transmitted on DQ[15, 14, 13, 11, 9] will not be inverted, but the DQ calibration patterns transmitted on DQ[12, 10, 8] will be inverted.
  2. DM[1] is not inverted and always transmits the true data contained in MR32 and MR40.
  3. No DATA BUS INVERSION (DBI) function is enacted during read DQ calibration, even if DBI is enabled in MR3 OP[6].

**Table 104: MR20 Invert Register Pin Mapping**

Pin	DQ8	DQ9	DQ10	DQ11	DMI1	DQ12	DQ13	DQ14	DQ15
MR20	OP0	OP1	OP2	OP3	No invert	OP4	OP5	OP6	OP7

**Table 105: MR21 Register Information (MA[5:0] = 15h)**

OP7	OP6	OP5	OP4	OP3	OP2	OP1	OP0
RFU							

**Table 106: MR22 Register Information (MA[5:0] = 16h)**

OP7	OP6	OP5	OP4	OP3	OP2	OP1	OP0
ODTD for x8_2ch		ODTD-CA	ODTE-CS	ODTE-CK	SOC ODT		



## 149-Ball NAND Flash with LPDDR4/LPDDR4X MCP Mode Registers

**Table 107: MR22 Register Information**

Function	Type	OP	Data	Notes
SOC ODT (controller ODT value for V <sub>OH</sub> calibration)	Write-only	OP[2:0]	000b: Disable (default) 001b: R <sub>ZQ</sub> /1 (Illegal if MR3 OP[0] = 0b) 010b: R <sub>ZQ</sub> /2 011b: R <sub>ZQ</sub> /3 (Illegal if MR3 OP[0] = 0b) 100b: R <sub>ZQ</sub> /4 101b: R <sub>ZQ</sub> /5 (Illegal if MR3 OP[0] = 0b) 110b: R <sub>ZQ</sub> /6 (Illegal if MR3 OP[0] = 0b) 111b: RFU	1, 2, 3
ODTE-CK (CK ODT enabled for non-terminating rank)	Write-only	OP[3]	ODT bond PAD is ignored 0b: ODT-CK enable (default) 1b: ODT-CK disable	2, 3
ODTE-CS (CS ODT enabled for non-terminating rank)	Write-only	OP[4]	ODT bond PAD is ignored 0b: ODT-CS enable (default) 1b: ODT-CS disable	2, 3
ODTD-CA (CA ODT termination disable)	Write-only	OP[5]	ODT bond PAD is ignored 0b: CA ODT enable (default) 1b: CA ODT disable	2, 3
ODTD for x8_2ch (Byte mode)	Write-only	OP[7:6]	See Byte Mode section	

- Notes:
1. All values are typical.
  2. There are two physical registers assigned to each bit of this MR parameter: designated set point 0 and set point 1. Only the registers for the set point determined by the state of the FSP-WR bit (MR13 OP[6]) will be written to with an MRW command to this MR address, or read from with an MRR command to this address.
  3. There are two physical registers assigned to each bit of this MR parameter: designated set point 0 and set point 1. The device will operate only according to the values stored in the registers for the active set point, for example, the set point determined by the state of the FSP-OP bit (MR13 OP[7]). The values in the registers for the inactive set point will be ignored by the device, and may be changed without affecting device operation.

**Table 108: MR23 Register Information (MA[5:0] = 17h)**

OP7	OP6	OP5	OP4	OP3	OP2	OP1	OP0
DQS interval timer run-time setting							





## 149-Ball NAND Flash with LPDDR4/LPDDR4X MCP Mode Registers

**Table 109: MR23 Register Information**

Notes 1–2 apply to entire table

Function	Type	OP	Data
DQS interval timer run-time	Write-only	OP[7:0]	00000000b: Disabled (default) 00000001b: DQS timer stops automatically at the 16 <sup>th</sup> clock after timer start 00000010b: DQS timer stops automatically at the 32 <sup>nd</sup> clock after timer start 00000011b: DQS timer stops automatically at the 48 <sup>th</sup> clock after timer start 00000100b: DQS timer stops automatically at the 64 <sup>th</sup> clock after timer start ----- Through ----- 00111111b: DQS timer stops automatically at the (63 × 16) <sup>th</sup> clock after timer start 01XXXXXXb: DQS timer stops automatically at the 2048 <sup>th</sup> clock after timer start 10XXXXXXb: DQS timer stops automatically at the 4096 <sup>th</sup> clock after timer start 11XXXXXXb: DQS timer stops automatically at the 8192 <sup>nd</sup> clock after timer start

- Notes:
1. MPC command with OP[6:0] = 1001101b (STOP DQS INTERVAL OSCILLATOR) stops the DQS interval timer in the case of MR23 OP[7:0] = 00000000b.
  2. MPC command with OP[6:0] = 1001101b (STOP DQS INTERVAL OSCILLATOR) is illegal with valid nonzero values in MR23 OP[7:0].

**Table 110: MR24 Register Information (MA[5:0] = 18h)**

OP7	OP6	OP5	OP4	OP3	OP2	OP1	OP0
TRR mode	TRR mode BAN			Unlimited MAC	MAC value		

**Table 111: MR24 Register Information**

Function	Type	OP	Data	Notes
MAC value	Read	OP[2:0]	000b: Unknown (OP[3] = 0) or unlimited (OP[3] = 1) 001b: 700K 010b: 600K 011b: 500K 100b: 400K 101b: 300K 110b: 200K 111b: Reserved	1, 2



## 149-Ball NAND Flash with LPDDR4/LPDDR4X MCP Mode Registers

**Table 111: MR24 Register Information (Continued)**

Function	Type	OP	Data	Notes
Unlimited MAC	Read	OP[3]	0b: OP[2:0] defines the MAC value 1b: Unlimited MAC value	2, 3
TRR mode BAn	Write	OP[6:4]	000b: Bank 0 001b: Bank 1 010b: Bank 2 011b: Bank 3 100b: Bank 4 101b: Bank 5 110b: Bank 6 111b: Bank 7	
TRR mode	Write	OP[7]	0b: Disabled (default) 1b: Enabled	

- Notes:
1. Unknown means that the device is not tested for <sup>t</sup>MAC and pass/fail values are unknown. Unlimited means that there is no restriction on the number of activates between refresh windows. However, specific attempts to by-pass TRR may result in data disturb.
  2. There is no restriction to the number of activates.
  3. MR24 OP[2:0] set to 000b.

**Table 112: MR25 Register Information (MA[5:0] = 19h)**

OP7	OP6	OP5	OP4	OP3	OP2	OP1	OP0
Bank 7	Bank 6	Bank 5	Bank 4	Bank 3	Bank 2	Bank 1	Bank 0

**Table 113: MR25 Register Information**

Function	Type	OP	Data
PPR resources	Read-only	OP[7:0]	0b: PPR resource is not available 1b: PPR resource is available

- Note:
1. When OP[n] = 0, there is no PPR resource available for that bank. When OP[n] = 1, there is a PPR resource available for that bank, and PPR can be initiated by the controller.

**Table 114: MR26:29 Register Information (MA[5:0] = 1Ah–1Dh)**

OP7	OP6	OP5	OP4	OP3	OP2	OP1	OP0
Reserved for future use							



## 149-Ball NAND Flash with LPDDR4/LPDDR4X MCP Mode Registers

**Table 115: MR30 Register Information (MA[5:0] = 1Eh)**

OP7	OP6	OP5	OP4	OP3	OP2	OP1	OP0
Valid 0 or 1							

**Table 116: MR30 Register Information**

Function	Type	OP	Data
SDRAM will ignore	Write-only	OP[7:0]	Don't care

Note: 1. This register is reserved for testing purposes. The logical data values written to OP[7:0] will have no effect on SDRAM operation; however, timings need to be observed as for any other MR access command.

**Table 117: MR31 Register Information (MA[5:0] = 1Fh)**

OP7	OP6	OP5	OP4	OP3	OP2	OP1	OP0
Reserved for future use							

**Table 118: MR32 Register Information (MA[5:0] = 20h)**

OP7	OP6	OP5	OP4	OP3	OP2	OP1	OP0
DQ calibration pattern A (default = 5Ah)							

**Table 119: MR32 Register Information**

Feature	Type	OP	Data	Notes
Return DQ calibration pattern MR32 + MR40	Write-only	OP[7:0]	Xb: An MPC command issued with OP[6:0] = 1000011b causes the device to return the DQ calibration pattern contained in this register and (followed by) the contents of MR40. A default pattern 5Ah is loaded at power-up or reset, or the pattern may be overwritten with a MRW to this register. The contents of MR15 and MR20 will invert the MR32/MR40 data pattern for a given DQ (see MR15/MR20 for more information).	1, 2, 3

- Notes:
1. The patterns contained in MR32 and MR40 are transmitted on DQ[15:0] and DMI[1:0] when read DQ calibration is initiated via an MPC command. The pattern is transmitted serially on each data lane and organized little endian such that the low-order bit in a byte is transmitted first. If the data pattern is 27H, the first bit transmitted is a 1 followed by 1, 1, 0, 0, 1, 0, and 0. The bit stream will be 00100111.
  2. MR15 and MR20 may be used to invert the MR32/MR40 data pattern on the DQ pins. See MR15 and MR20 for more information. Data is never inverted on the DMI[1:0] pins.
  3. The data pattern is not transmitted on the DMI[1:0] pins if DBI-RD is disabled via MR3 OP[6].



## 149-Ball NAND Flash with LPDDR4/LPDDR4X MCP Mode Registers

4. No DATA BUS INVERSION (DBI) function is enacted during read DQ calibration, even if DBI is enabled in MR3 OP[6].

**Table 120: MR33:38 Register Information (MA[5:0] = 21h–26h)**

OP7	OP6	OP5	OP4	OP3	OP2	OP1	OP0
Do not use							

**Table 121: MR39 Register Information (MA[5:0] = 27h)**

OP7	OP6	OP5	OP4	OP3	OP2	OP1	OP0
Valid 0 or 1							

**Table 122: MR39 Register Information**

Function	Type	OP	Data
SDRAM will ignore	Write-only	OP[7:0]	Don't care

- Note: 1. This register is reserved for testing purposes. The logical data values written to OP[7:0] will have no effect on SDRAM operation; however, timings need to be observed as for any other MR access command.

**Table 123: MR40 Register Information (MA[5:0] = 28h)**

OP7	OP6	OP5	OP4	OP3	OP2	OP1	OP0
DQ calibration pattern B (default = 3Ch)							

**Table 124: MR40 Register Information**

Function	Type	OP	Data	Notes
Return DQ calibration pattern MR32 + MR40	Write-only	OP[7:0]	Xb: A default pattern 3Ch is loaded at power-up or reset, or the pattern may be overwritten with a MRW to this register. See MR32 for more information.	1, 2, 3

- Notes: 1. The pattern contained in MR40 is concatenated to the end of MR32 and transmitted on DQ[15:0] and DMI[1:0] when read DQ calibration is initiated via an MPC command. The pattern is transmitted serially on each data lane and organized little endian such that the low-order bit in a byte is transmitted first. If the data pattern in MR40 is 27H, the first bit transmitted will be a 1, followed by 1, 1, 0, 0, 1, 0, and 0. The bit stream will be 00100111.
2. MR15 and MR20 may be used to invert the MR32/MR40 data patterns on the DQ pins. See MR15 and MR20 for more information. Data is never inverted on the DMI[1:0] pins.
3. The data pattern is not transmitted on the DMI[1:0] pins if DBI-RD is disabled via MR3 OP[6].
4. No DATA BUS INVERSION (DBI) function is enacted during read DQ calibration, even if DBI is enabled in MR3 OP[6].



## 149-Ball NAND Flash with LPDDR4/LPDDR4X MCP Commands and Timing

**Table 125: MR41:47 Register Information (MA[5:0] = 29h–2Fh)**

OP7	OP6	OP5	OP4	OP3	OP2	OP1	OP0
Do not use							

**Table 126: MR48:63 Register Information (MA[5:0] = 30h–3Fh)**

OP7	OP6	OP5	OP4	OP3	OP2	OP1	OP0
Reserved for future use							

## Commands and Timing

Commands transmitted on the CA bus are encoded into two parts and are latched on two consecutive rising edges of the clock. This is called 2-tick CA capture because each command requires two clock edges to latch and decode the entire command.

## Truth Tables

Truth tables provide complementary information to the state diagram. They also clarify device behavior and applicable restrictions when considering the actual state of the banks.

Unspecified operations and timings are illegal. To ensure proper operation after an illegal event, the device must be either reset by asserting the RESET\_n command or powered down and then restarted using the specified initialization sequence before normal operation can continue.

CKE signal has to be held HIGH when the commands listed in the command truth table input.

**Table 127: Command Truth Table**

Commands are transmitted to the device across a six-lane interface and use CK, CKE, and CS to control the capture of transmitted data

Command	CS	SDR CA Pins						CK Edge	Notes
		CA0	CA1	CA2	CA3	CA4	CA5		
MRW-1	H	L	H	H	L	L	OP7		1, 11
	L	MA0	MA1	MA2	MA3	MA4	MA5		
MRW-2	H	L	H	H	L	H	OP6		1, 11
	L	OP0	OP1	OP2	OP3	OP4	OP5		
MRR-1	H	L	H	H	H	L	V		1, 2, 12
	L	MA0	MA1	MA2	MA3	MA4	MA5		
REFRESH (all/per bank)	H	L	L	L	H	L	AB		1, 2, 3, 4
	L	BA0	BA1	BA2	V	V	V		
ENTER SELF RE- FRESH	H	L	L	L	H	H	V		1, 2
	L	V							



## 149-Ball NAND Flash with LPDDR4/LPDDR4X MCP Truth Tables

**Table 127: Command Truth Table (Continued)**

Commands are transmitted to the device across a six-lane interface and use CK, CKE, and CS to control the capture of transmitted data

Command	CS	SDR CA Pins						CK Edge	Notes
		CA0	CA1	CA2	CA3	CA4	CA5		
ACTIVATE-1	H	H	L	R12	R13	R14	R15		1, 2, 3, 11
	L	BA0	BA1	BA2	R16	R10	R11		
ACTIVATE-2	H	H	H	R6	R7	R8	R9		1, 11
	L	R0	R1	R2	R3	R4	R5		
WRITE-1	H	L	L	H	L	L	BL		1, 2, 3, 6, 7, 9
	L	BA0	BA1	BA2	V	C9	AP		
EXIT SELF RE-FRESH	H	L	L	H	L	H	V		1, 2
	L	V							
MASK WRITE-1	H	L	L	H	H	L	BL		1, 2, 3, 5, 6, 7, 9
	L	BA0	BA1	BA2	V	C9	AP		
RFU	H	L	L	H	H	H	V		1, 2
	L	V							
RFU	H	L	H	L	H	L	V		1, 2
	L	V							
RFU	H	L	H	L	H	H	V		1, 2
	L	V							
READ-1	H	L	H	L	L	L	BL		1, 2, 3, 6, 7, 9
	L	BA0	BA1	BA2	V	C9	AP		
CAS-2 (WRITE-2, MASKED WRITE-2, READ-2, MRR-2, MPC (except NOP)	H	L	H	L	L	H	C8		1, 8, 9
	L	C2	C3	C4	C5	C6	C7		
PRECHARGE (all/per bank)	H	L	L	L	L	H	AB		1, 2, 3, 4
	L	BA0	BA1	BA2	V	V	V		
MPC (TRAIN, NOP)	H	L	L	L	L	L	OP6		1, 2, 13
	L	OP0	OP1	OP2	OP3	OP4	OP5		
DESELECT	L	X							1, 2

- Notes:
1. All commands except for DESELECT are two clock cycles and are defined by the current state of CS and CA[5:0] at the rising edge of the clock. DESELECT command is one clock cycle and is not latched by the device.
  2. V = H or L (a defined logic level); X = "Don't Care," in which case CS, CK\_t, CK\_c, and CA[5:0] can be floated.
  3. Bank addresses BA[2:0] determine which bank is to be operated upon.



## 149-Ball NAND Flash with LPDDR4/LPDDR4X MCP ACTIVATE Command

4. AB HIGH during PRECHARGE or REFRESH commands indicate the command must be applied to all banks, and the bank addresses are "Don't Care."
5. MASK WRITE-1 command only supports BL16. For MASK WRITE-1 commands, CA5 must be driven LOW on the first rising clock cycle (R1).
6. AP HIGH during a WRITE-1, MASK WRITE-1, or READ-1 command indicates that an auto precharge will occur to the bank the command is operating on. AP LOW indicates that no auto precharge will occur and the bank will remain open upon completion of the command.
7. When enabled in the mode register, BL HIGH during a WRITE-1, MASK-WRITE-1, or READ-1 command indicates the burst length should be set on-the-fly to BL = 32; BL LOW during one of these commands indicates the burst length should be set on-the-fly to BL = 16. If on-the-fly burst length is not enabled in the mode register, this bit should be driven to a valid level and is ignored by the device.
8. For CAS-2 commands (WRITE-2, MASK WRITE-2, READ-2, MRR-2, or MPC (only WRITE-FIFO, READ-FIFO, and READ DQ CALIBRATION)), C[1:0] are not transmitted on the CA [5:0] bus and are assumed to be zero. Note that for CAS-2 WRITE-2 or CAS-2 MASK WRITE-2 command, C[3:2] must be driven LOW.
9. WRITE-1, MASK-WRITE-1, READ-1, MODE REGISTER READ-1, or MPC (only WRITE-FIFO, READ-FIFO, and READ DQ CALIBRATION) command must be immediately followed by CAS-2 command consecutively without any other command in between. WRITE-1, MASK WRITE-1, READ-1, MRR-1, or MPC (only WRITE-FIFO, READ-FIFO, and READ DQ CALIBRATION) command must be issued first before issuing CAS-2 command. MPC (only START and STOP DQS OSCILLATOR, ZQCAL START and LATCH) commands do not require CAS-2 command; they require two additional DES or NOP commands consecutively before issuing any other commands.
10. The ACTIVATE-1 command must be followed by the ACTIVATE-2 command consecutively without any other command between them. The ACTIVATE-1 command must be issued prior to the ACTIVATE-2 command. When the ACTIVATE-1 command is issued, the ACTIVATE-2 command must be issued before issuing another ACTIVATE-1 command.
11. The MRW-1 command must be followed by the MRW-2 command consecutively without any other command between them. The MRW-1 command must be issued prior to the MRW-2 command.
12. The MRR-1 command must be followed by the CAS-2 command consecutively without any other commands between them. The MRR-1 command must be issued prior to the CAS-2 command.
13. The MPC command for READ or WRITE TRAINING operations must be followed by the CAS-2 command consecutively without any other commands between them. The MPC command must be issued prior to the CAS-2 command.

### ACTIVATE Command

The ACTIVATE command must be executed before a READ or WRITE command can be issued. The ACTIVATE command is issued in two parts: The bank and upper-row addresses are entered with activate-1 and the lower-row addresses are entered with ACTIVATE-2. ACTIVATE-1 and ACTIVATE-2 are executed by strobing CS HIGH while setting CA[5:0] at valid levels (see Command table) at the rising edge of CK.

The bank addresses (BA[2:0]) are used to select the desired bank. The row addresses (R[15:0]) are used to determine which row to activate in the selected bank. The ACTIVATE-2 command must be applied before any READ or WRITE operation can be executed. The device can accept a READ or WRITE command at time  $t_{RCD}$  after the ACTIVATE-2 command is sent. After a bank has been activated, it must be precharged to close the active row before another ACTIVATE-2 command can be applied to the same



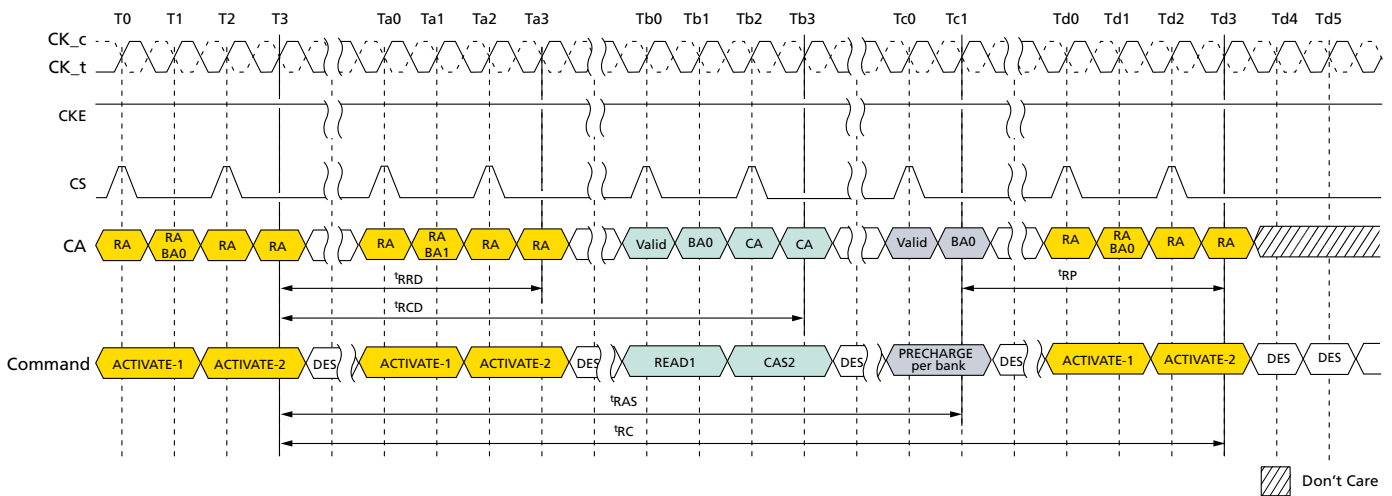
# 149-Ball NAND Flash with LPDDR4/LPDDR4X MCP ACTIVATE Command

bank. The bank active and precharge times are defined as  $t^{\text{RAS}}$  and  $t^{\text{RP}}$ , respectively. The minimum time interval between successive ACTIVATE-2 commands to the same bank is determined by the row cycle time of the device ( $t^{\text{RC}}$ ). The minimum time interval between ACTIVATE-2 commands to different banks is  $t^{\text{RRD}}$ .

Certain restrictions must be observed for bank ACTIVATE and REFpb operations.

- Four-activate window ( $t^{\text{FAW}}$ ): No more than 4 banks may be activated (or refreshed, in the case of REFpb) per channel in a rolling  $t^{\text{FAW}}$  window. Convert to clocks by dividing  $t^{\text{FAW}}[\text{ns}]$  by  $t^{\text{CK}}[\text{ns}]$  and rounding up to the next integer value. As an example of the rolling window, if  $\text{RU}[(t^{\text{FAW}}/t^{\text{CK}})]$  is 64 clocks, and an ACTIVATE command is issued on clock N, no more than three additional ACTIVATE commands may be issued between clock N + 1 and N + 63. REFpb also counts as bank activation for the purposes of  $t^{\text{FAW}}$ .
- 8-bank per channel, precharge all banks (AB) allowance:  $t^{\text{RP}}$  for a PRECHARGE ALL BANKS command for an 8-bank device must equal  $t^{\text{RPab}}$ , which is greater than  $t^{\text{RPpb}}$ .

**Figure 82: ACTIVATE Command**



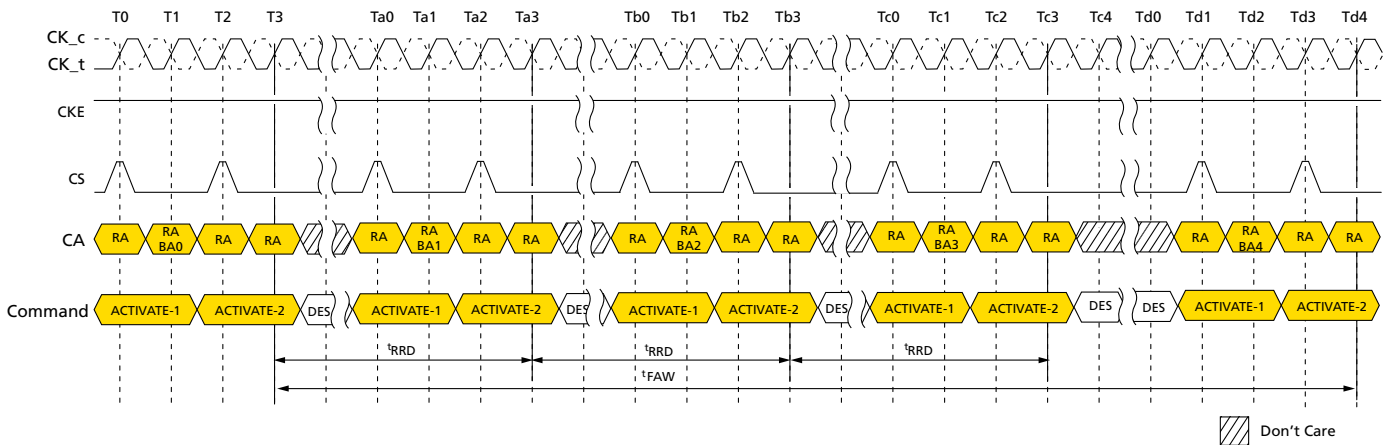
Note: 1. A PRECHARGE command uses  $t^{\text{RPab}}$  timing for all-bank precharge and  $t^{\text{RPpb}}$  timing for single-bank precharge. In this figure,  $t^{\text{RP}}$  is used to denote either all-bank precharge or a single-bank precharge.  $t^{\text{CCD}} = \text{MIN}, 1.5n\text{CK}$  postamble,  $533 \text{ MHz} < \text{clock frequency} \leq 800 \text{ MHz}$ , ODT worst timing case.





# 149-Ball NAND Flash with LPDDR4/LPDDR4X MCP Read and Write Access Modes

**Figure 83:  $t_{FAW}$  Timing**



Note: 1. REFpb may be substituted for one of the ACTIVATE commands for the purposes of  $t_{FAW}$ .

## Read and Write Access Modes

After a bank has been activated, a READ or WRITE command can be executed. This is accomplished by asserting CKE asynchronously, with CS and CA[5:0] set to the proper state (see Command Truth Table) on the rising edge of CK.

The device provides a fast column access operation. A single READ or WRITE command will initiate a burst READ or WRITE operation, where data is transferred to/from the device on successive clock cycles. Burst interrupts are not allowed; however, the optimal burst length may be set on-the-fly (see Command Truth Table).

## Preamble and Postamble

The DQS strobe for the device requires a preamble prior to the first latching edge (the rising edge of DQS\_t with data valid), and it requires a postamble after the last latching edge. The preamble and postamble options are set via MODE REGISTER WRITE commands.

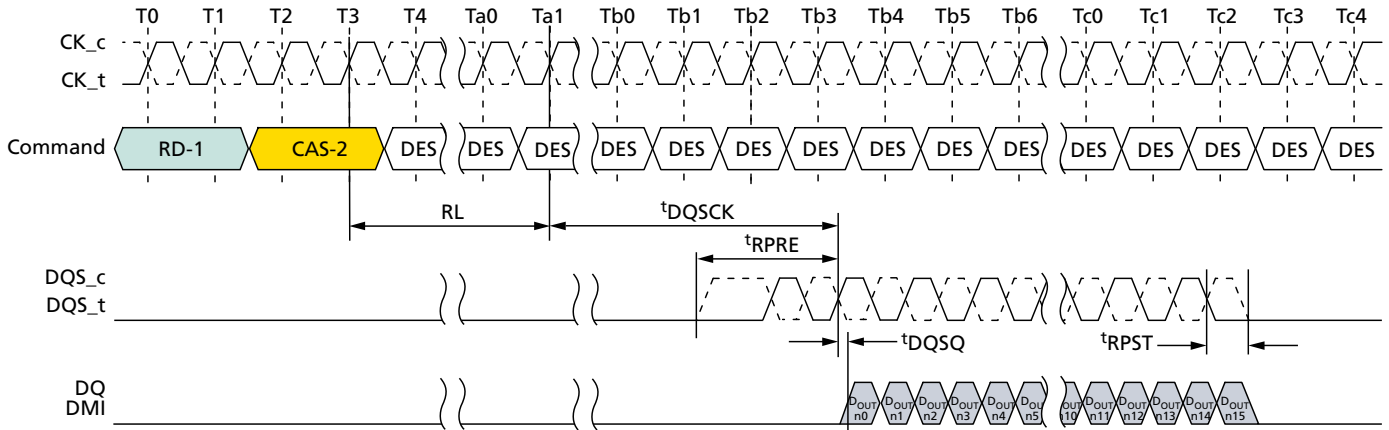
The read preamble is two  $t_{CK}$  in length and is either static or has one clock toggle before the first latching edge. The read preamble option is enabled via MRW to MR1 OP[3] (0 = Static; 1 = Toggle).

The read postamble has a programmable option to extend the postamble by  $1nCK$  ( $t_{RPSTE}$ ). The extended postamble option is enabled via MRW to MR1 OP[7] (0 =  $0.5nCK$ ; 1 =  $1.5nCK$ ).



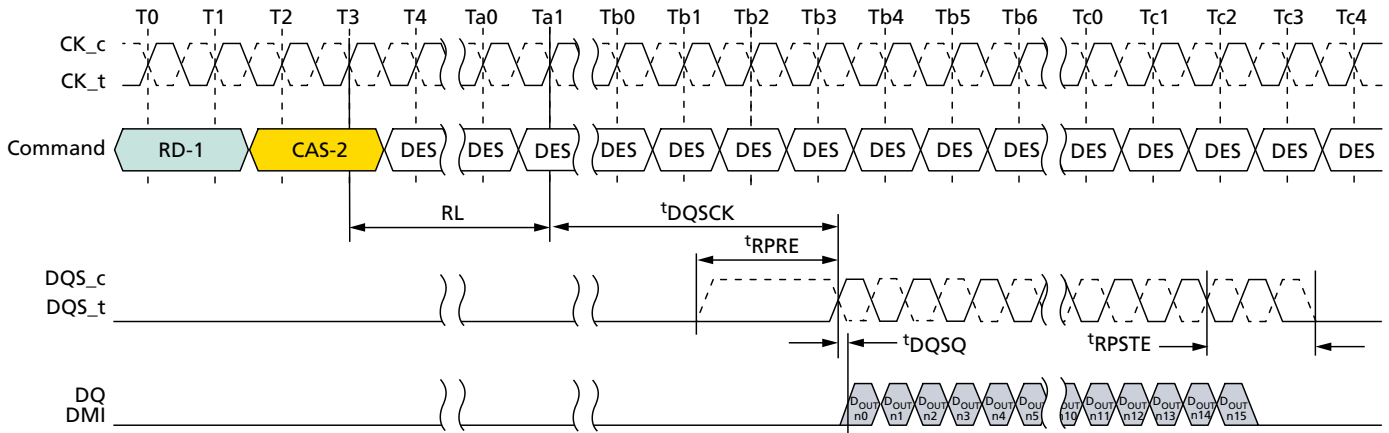
# 149-Ball NAND Flash with LPDDR4/LPDDR4X MCP Preamble and Postamble

**Figure 84: DQS Read Preamble and Postamble – Toggling Preamble and 0.5nCK Postamble**



- Notes:
1. BL = 16, Preamble = Toggling, Postamble = 0.5nCK.
  2. DQS and DQ terminated  $V_{SSQ}$ .
  3. DQS\_t/DQS\_c is "Don't Care" prior to the start of  $t_{RPRE}$ . No transition of DQS is implied, as DQS\_t/DQS\_c can be HIGH, LOW, or High-Z prior to  $t_{RPRE}$ .

**Figure 85: DQS Read Preamble and Postamble – Static Preamble and 1.5nCK Postamble**

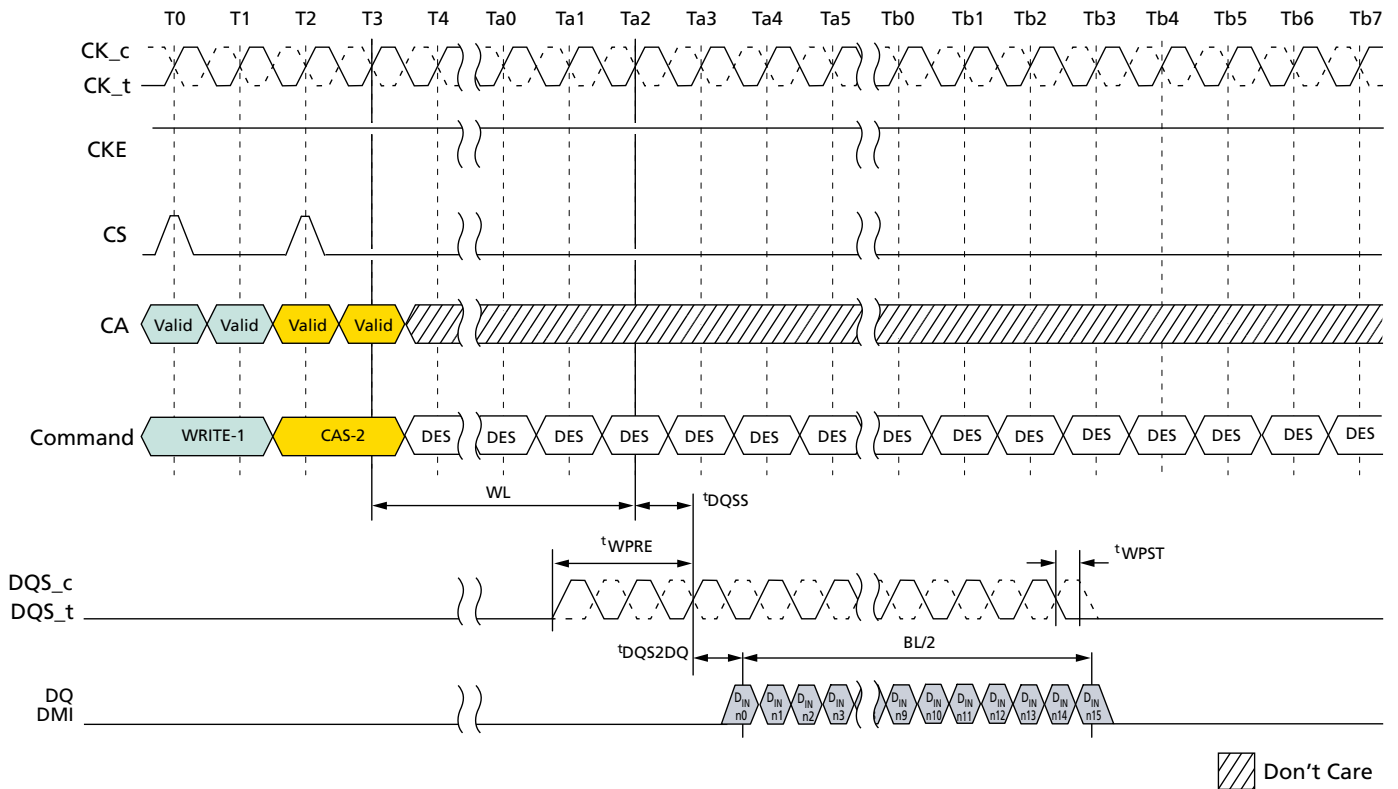


- Notes:
1. BL = 16, Preamble = Static, Postamble = 1.5nCK (extended).
  2. DQS and DQ terminated  $V_{SSQ}$ .
  3. DQS\_t/DQS\_c is "Don't Care" prior to the start of  $t_{RPRE}$ . No transition of DQS is implied, as DQS\_t/DQS\_c can be HIGH, LOW, or High-Z prior to  $t_{RPRE}$ .



# 149-Ball NAND Flash with LPDDR4/LPDDR4X MCP Preamble and Postamble

**Figure 86: DQS Write Preamble and Postamble – 0.5nCK Postamble**

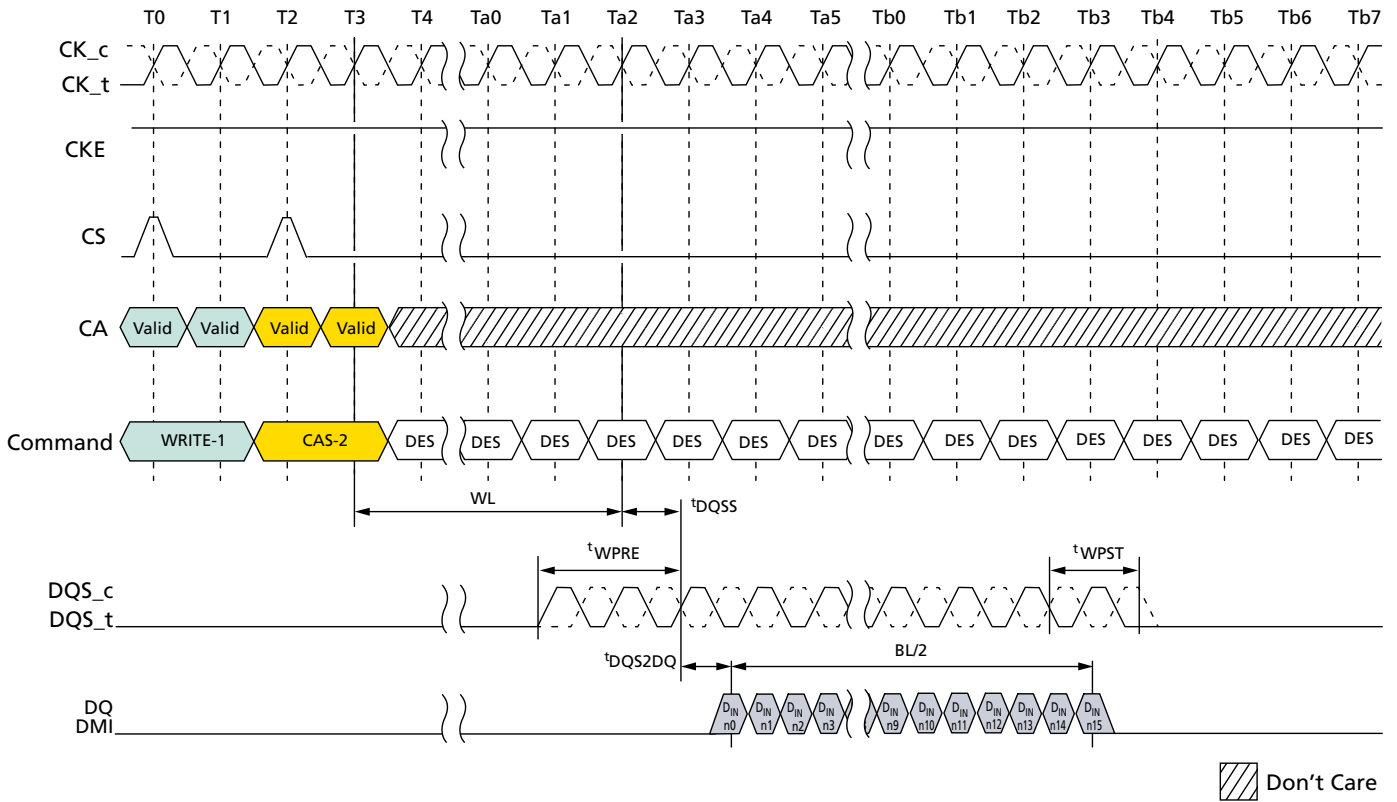


- Notes:
1. BL = 16, Postamble = 0.5nCK.
  2. DQS and DQ terminated  $V_{SSQ}$ .
  3. DQS\_t/DQS\_c is "Don't Care" prior to the start of  $t_{WPRE}$ . No transition of DQS is implied, as DQS\_t/DQS\_c can be HIGH, LOW, or High-Z prior to  $t_{WPRE}$ .



# 149-Ball NAND Flash with LPDDR4/LPDDR4X MCP Preamble and Postamble

**Figure 87: DQS Write Preamble and Postamble – 1.5nCK Postamble**



- Notes:
1. BL = 16, Postamble = 1.5nCK.
  2. DQS and DQ terminated  $V_{SSQ}$ .
  3. DQS\_t/DQS\_c is "Don't Care" prior to the start of  $t_{WPRE}$ . No transition of DQS is implied, as DQS\_t/DQS\_c can be HIGH, LOW, or High-Z prior to  $t_{WPRE}$ .



# 149-Ball NAND Flash with LPDDR4/LPDDR4X MCP Burst READ Operation

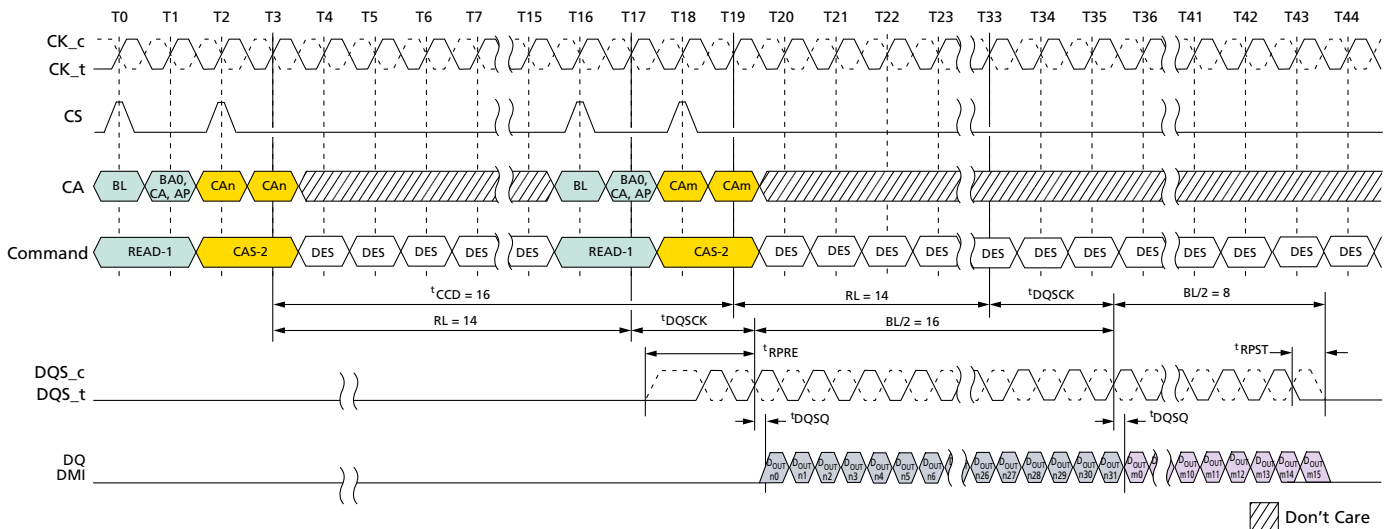
## Burst READ Operation

A burst READ command is initiated with CKE, CS, and CA[5:0] asserted to the proper state on the rising edge of CK, as defined by the Command Truth Table. The command address bus inputs determine the starting column address for the burst. The two low-order address bits are not transmitted on the CA bus and are implied to be 0; therefore, the starting burst address is always a multiple of four (that is, 0x0, 0x4, 0x8, 0xC).

The READ latency (RL) is defined from the last rising edge of the clock that completes a READ command (for example, the second rising edge of the CAS-2 command) to the rising edge of the clock from which the <sup>t</sup>DQSCK delay is measured. The first valid data is available  $RL \times {}^tCK + {}^tDQSCK + {}^tDQSQ$  after the rising edge of clock that completes a READ command.

The data strobe output is driven <sup>t</sup>RPRE before the first valid rising strobe edge. The first data bit of the burst is synchronized with the first valid (post-preamble) rising edge of the data strobe. Each subsequent data-out appears on each DQ pin, edge-aligned with the data strobe. At the end of a burst, the DQS signals are driven for another half cycle postamble, or for a 1.5-cycle postamble if the programmable postamble bit is set in the mode register. The RL is programmed in the mode registers. Pin timings for the data strobe are measured relative to the cross-point of DQS<sub>t</sub> and DQS<sub>c</sub>.

Figure 88: Burst Read Timing

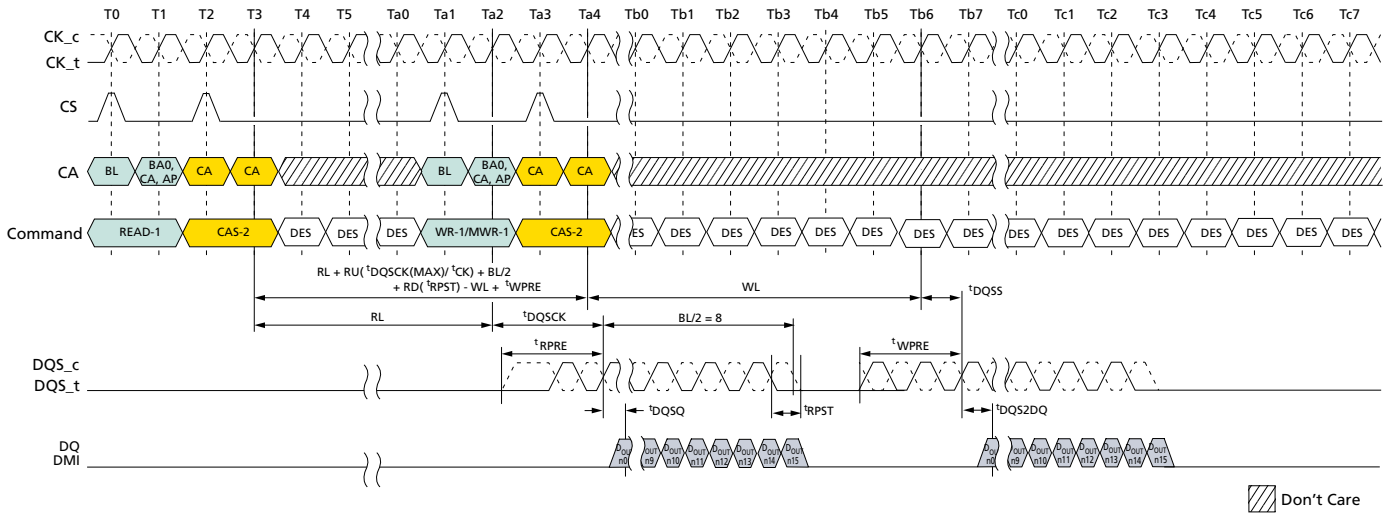


- Notes:
1. BL = 32 for column *n*, BL = 16 for column *m*, RL = 14, Preamble = Toggle, Postamble = 0.5*n*CK, DQ/DQS: V<sub>SSQ</sub> termination.
  2. D<sub>OUT n/m</sub> = data-out from column *n* and column *m*.
  3. DES commands are shown for ease of illustration; other commands may be valid at these times.



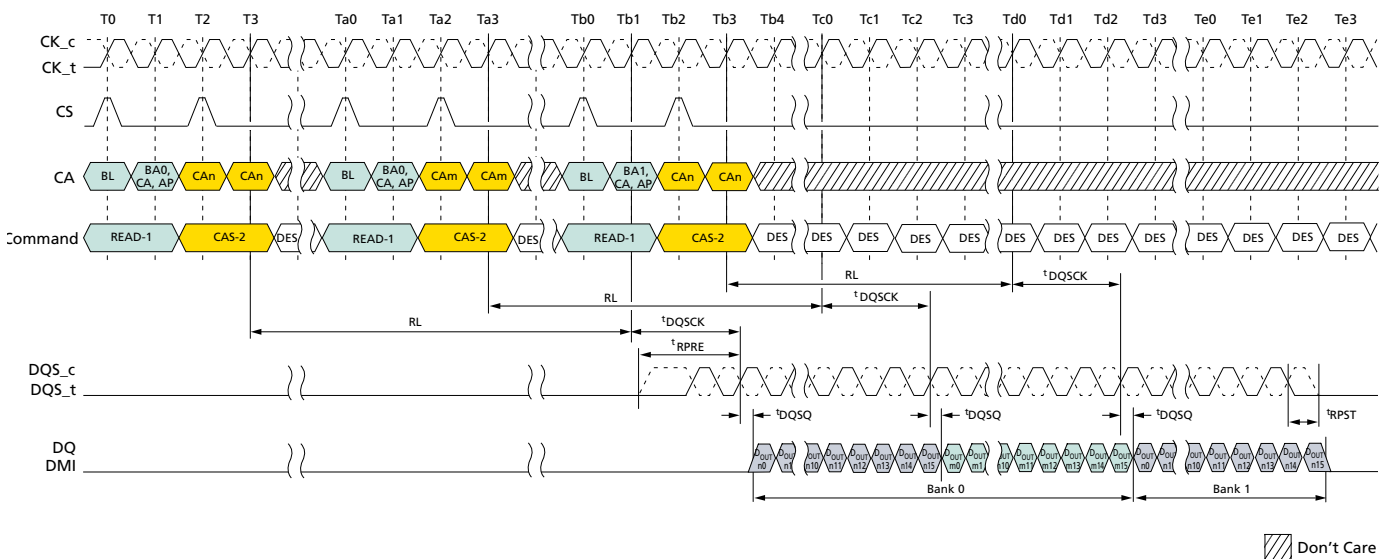
# 149-Ball NAND Flash with LPDDR4/LPDDR4X MCP Burst READ Operation

**Figure 89: Burst Read Followed by Burst Write or Burst Mask Write**



- Notes:
1. BL = 16, Read preamble = Toggle, Read postamble = 0.5nCK, Write preamble = 2nCK, Write postamble = 0.5nCK, DQ/DQS: V<sub>SSQ</sub> termination.
  2. D<sub>OUT</sub> n = data-out from column n and D<sub>IN</sub> n = data-in to column n.
  3. DES commands are shown for ease of illustration; other commands may be valid at these times.

**Figure 90: Seamless Burst Read**

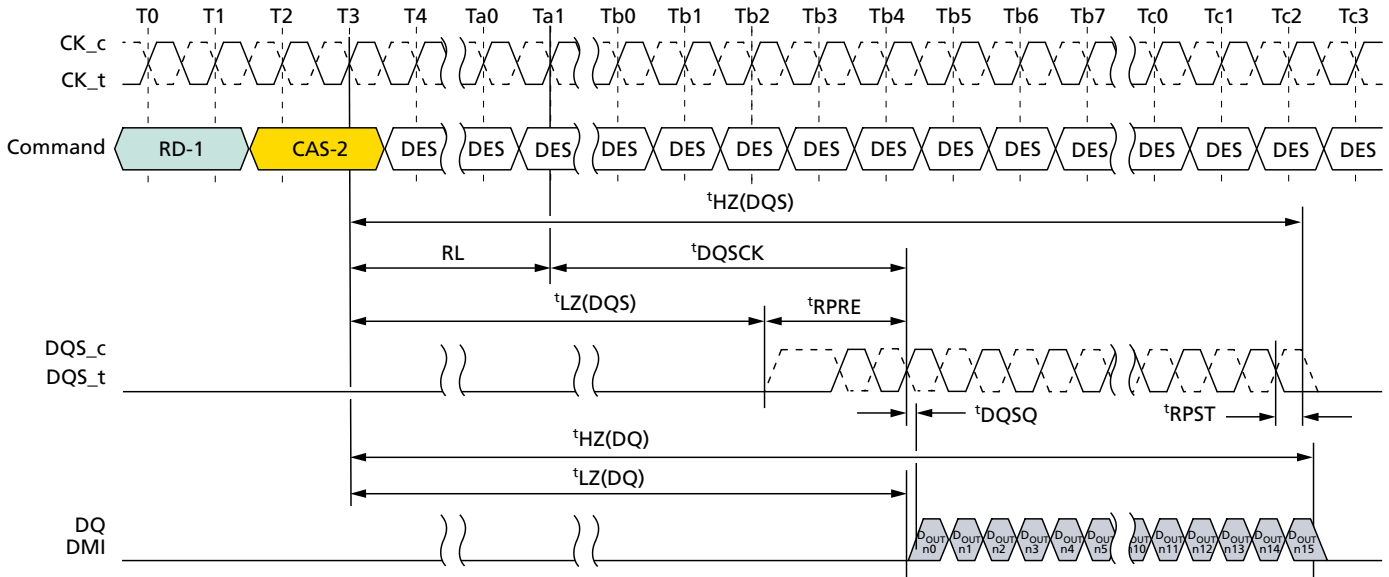


- Notes:
1. BL = 16, t<sub>CCD</sub> = 8, Preamble = Toggle, Postamble = 0.5nCK, DQ/DQS: V<sub>SSQ</sub> termination.
  2. D<sub>OUT</sub> n/m = data-out from column n and column m.
  3. DES commands are shown for ease of illustration; other commands may be valid at these times.



## Read Timing

Figure 91: Read Timing



- Notes:
1. BL = 16, Preamble = Toggling, Postamble = 0.5nCK.
  2. DQS, DQ, and DMI terminated  $V_{SSQ}$ .
  3. Output driver does not turn on before an endpoint of  $t_{LZ}(DQS)$  and  $t_{LZ}(DQ)$ .
  4. Output driver does not turn off before an endpoint of  $t_{HZ}(DQS)$  and  $t_{HZ}(DQ)$ .

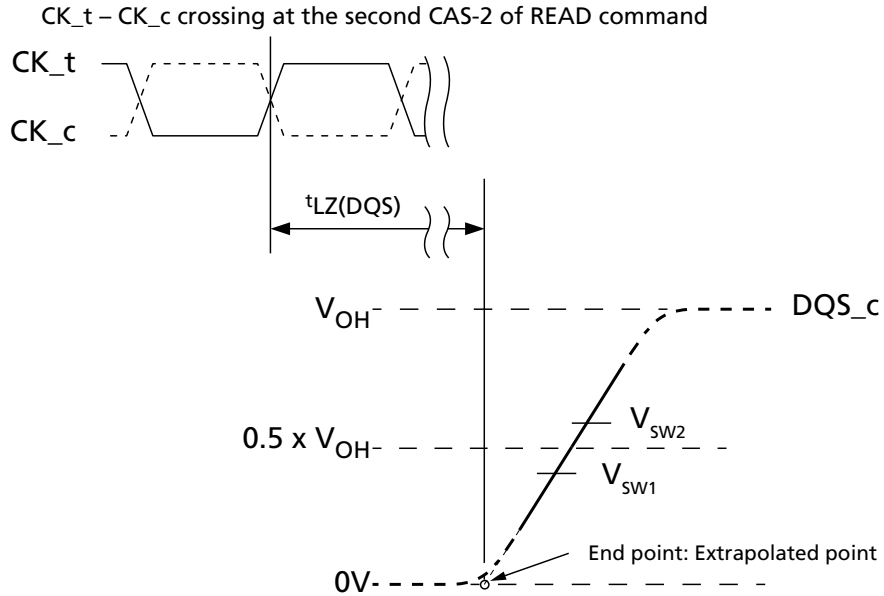
### $t_{LZ}(DQS)$ , $t_{LZ}(DQ)$ , $t_{HZ}(DQS)$ , $t_{HZ}(DQ)$ Calculation

$t_{HZ}$  and  $t_{LZ}$  transitions occur in the same time window as valid data transitions. These parameters are referenced to a specific voltage level that specifies when the device output is no longer driving  $t_{HZ}(DQS)$  and  $t_{HZ}(DQ)$ , or begins driving  $t_{LZ}(DQS)$  and  $t_{LZ}(DQ)$ . This section shows a method to calculate the point when the device is no longer driving  $t_{HZ}(DQS)$  and  $t_{HZ}(DQ)$ , or begins driving  $t_{LZ}(DQS)$  and  $t_{LZ}(DQ)$ , by measuring the signal at two different voltages. The actual voltage measurement points are not critical as long as the calculation is consistent. The parameters  $t_{LZ}(DQS)$ ,  $t_{LZ}(DQ)$ ,  $t_{HZ}(DQS)$ , and  $t_{HZ}(DQ)$  are defined as single ended.



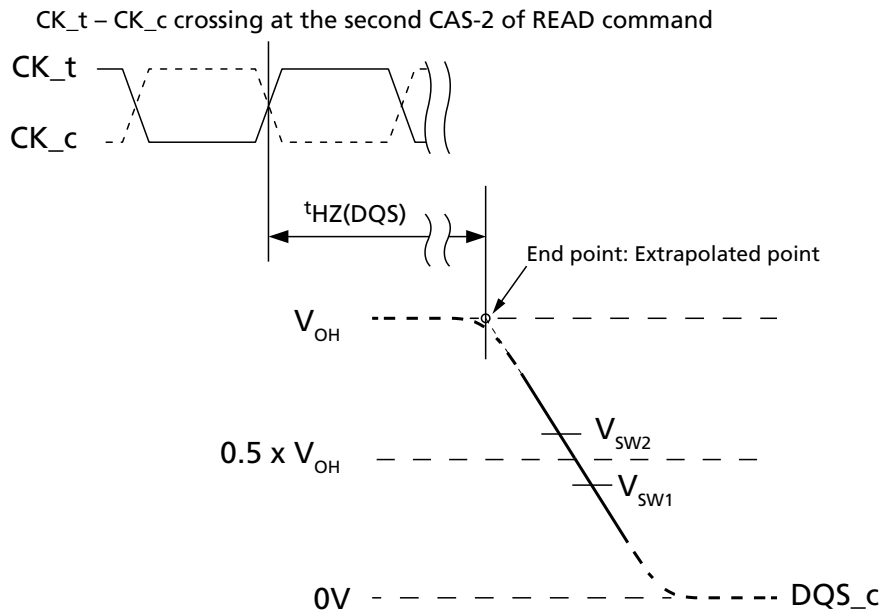
**$t_{LZ}(DQS)$  and  $t_{HZ}(DQS)$  Calculation for ATE (Automatic Test Equipment)**

**Figure 92:  $t_{LZ}(DQS)$  Method for Calculating Transitions and Endpoint**



- Notes:
1. Conditions for calibration: Pull down driver  $R_{ON} = 40$  ohms,  $V_{OH} = V_{DDQ} \times 0.5$ .
  2. Termination condition for DQS<sub>t</sub> and DQS<sub>c</sub> = 50 ohms to  $V_{SSQ}$ .
  3. The  $V_{OH}$  level depends on MR22 OP[2:0] and MR3 OP[0] settings as well as device tolerances. Use the actual  $V_{OH}$  value for  $t_{HZ}$  and  $t_{LZ}$  measurements.

**Figure 93:  $t_{HZ}(DQS)$  Method for Calculating Transitions and Endpoint**



- Notes:
1. Conditions for calibration: Pull down driver  $R_{ON} = 40$  ohms,  $V_{OH} = V_{DDQ} \times 0.5$ .
  2. Termination condition for DQS<sub>t</sub> and DQS<sub>c</sub> = 50 ohms to  $V_{SSQ}$ .





# 149-Ball NAND Flash with LPDDR4/LPDDR4X MCP Burst READ Operation

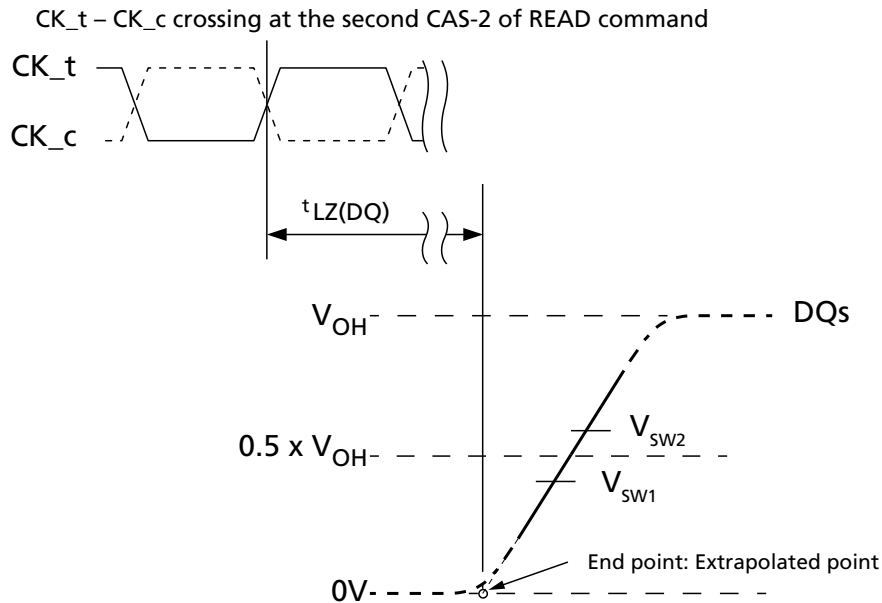
- The  $V_{OH}$  level depends on MR22 OP[2:0] and MR3 OP[0] settings as well as device tolerances. Use the actual  $V_{OH}$  value for  $t_{HZ}$  and  $t_{LZ}$  measurements.

**Table 128: Reference Voltage for  $t_{LZ}(DQS)$ ,  $t_{HZ}(DQS)$  Timing Measurements**

Measured Parameter	Measured Parameter Symbol	Vsw1	Vsw2	Unit
DQS_c Low-Z time from CK_t, CK_c	$t_{LZ}(DQS)$	$0.4 \times V_{OH}$	$0.6 \times V_{OH}$	V
DQS_c High-Z time from CK_t, CK_c	$t_{HZ}(DQS)$	$0.4 \times V_{OH}$	$0.6 \times V_{OH}$	

## $t_{LZ}(DQ)$ and $t_{HZ}(DQ)$ Calculation for ATE (Automatic Test Equipment)

**Figure 94:  $t_{LZ}(DQ)$  Method for Calculating Transitions and Endpoint**

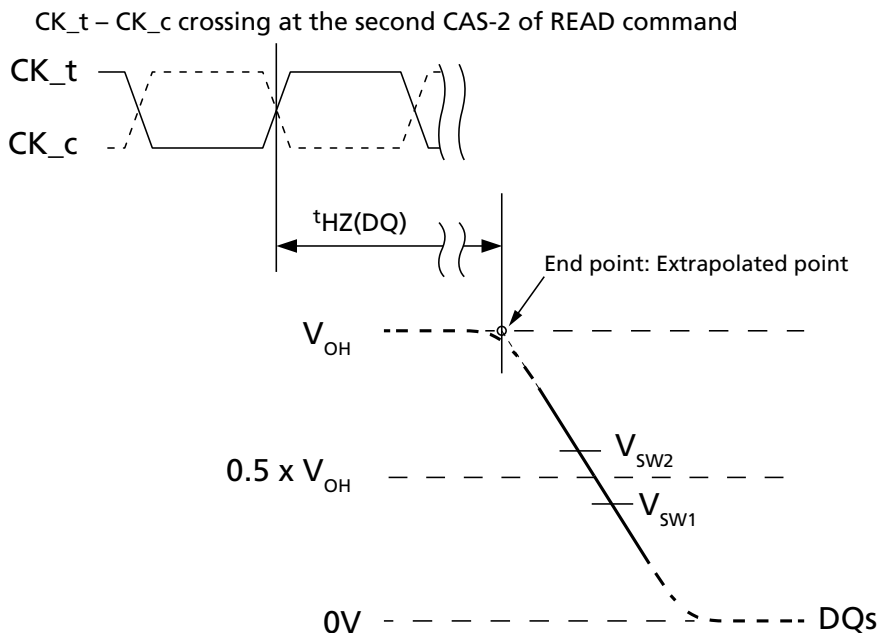


- Notes:
- Conditions for calibration: Pull down driver  $R_{ON} = 40$  ohms,  $V_{OH} = V_{DDQ} \times 0.5$ .
  - Termination condition for DQ and DMI = 50 ohms to  $V_{SSQ}$ .
  - The  $V_{OH}$  level depends on MR22 OP[2:0] and MR3 OP[0] settings as well as device tolerances. Use the actual  $V_{OH}$  value for  $t_{HZ}$  and  $t_{LZ}$  measurements.



# 149-Ball NAND Flash with LPDDR4/LPDDR4X MCP Burst READ Operation

**Figure 95: <sup>t</sup>HZ(DQ) Method for Calculating Transitions and Endpoint**



- Notes:
1. Conditions for calibration: Pull down driver  $R_{ON} = 40$  ohms,  $V_{OH} = V_{DDQ} \times 0.5$ .
  2. Termination condition for DQ and DMI = 50 ohms to  $V_{SSQ}$ .
  3. The  $V_{OH}$  level depends on MR22 OP[2:0] and MR3 OP[0] settings as well as device tolerances. Use the actual  $V_{OH}$  value for <sup>t</sup>HZ and <sup>t</sup>LZ measurements.

**Table 129: Reference Voltage for <sup>t</sup>LZ(DQ), <sup>t</sup>HZ(DQ) Timing Measurements**

Measured Parameter	Measured Parameter Symbol	Vsw1	Vsw2	Unit
DQ Low-Z time from CK <sub>t</sub> , CK <sub>c</sub>	<sup>t</sup> LZ(DQ)	$0.4 \times V_{OH}$	$0.6 \times V_{OH}$	V
DQ High-Z time from CK <sub>t</sub> , CK <sub>c</sub>	<sup>t</sup> HZ(DQ)	$0.4 \times V_{OH}$	$0.6 \times V_{OH}$	



## Burst WRITE Operation

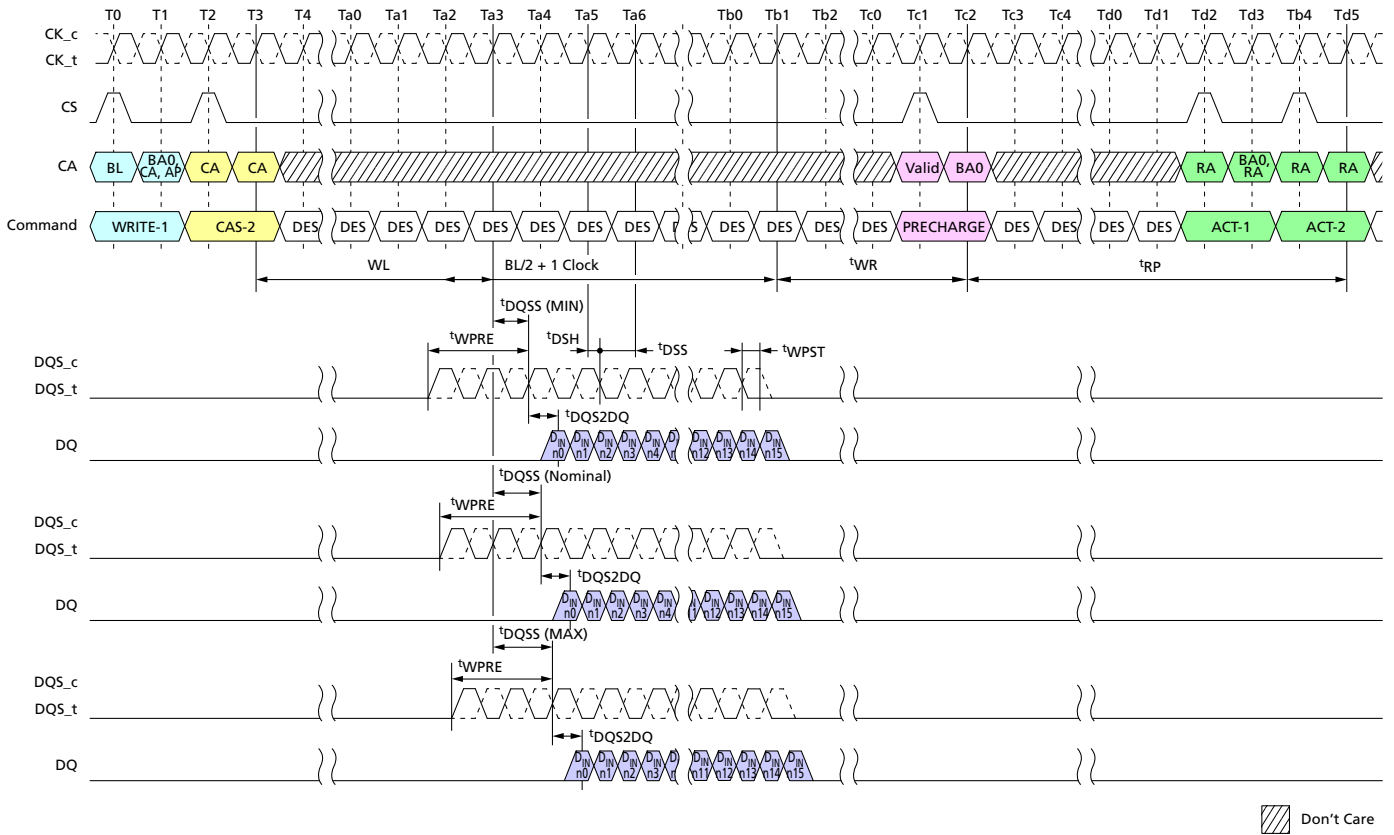
A burst WRITE command is initiated with CKE, CS, and CA[5:0] asserted to the proper state at the rising edge of CK, as defined by the Command Truth Table. Column addresses C[3:2] should be driven LOW for burst WRITE commands, and column addresses C[1:0] are not transmitted on the CA bus and are assumed to be zero so that the starting column burst address is always aligned with a 32-byte boundary. The WRITE latency (WL) is defined from the last rising edge of the clock that completes a WRITE command (for example, the second rising edge of the CAS-2 command) to the rising edge of the clock from which  $t^{\text{DQSS}}$  is measured. The first valid latching edge of DQS must be driven  $WL \times t^{\text{CK}} + t^{\text{DQSS}}$  after the rising edge of clock that completes a WRITE command.

The device uses an unmatched DQS DQ path for lower power, so the DQS strobe must arrive at the SDRAM ball prior to the DQ signal by  $t^{\text{DQS2DQ}}$ . The DQS strobe output must be driven  $t^{\text{WPRE}}$  before the first valid rising strobe edge. The  $t^{\text{WPRE}}$  preamble is required to be  $2 \times t^{\text{CK}}$  at any speed ranges. The DQS strobe must be trained to arrive at the DQ pad latch center-aligned with the DQ data. The DQ data must be held for  $T_{\text{diVW}}$ , and the DQS must be periodically trained to stay roughly centered in the  $T_{\text{diVW}}$ . Burst data is captured by the SDRAM on successive edges of DQS until the 16- or 32-bit data burst is complete. The DQS strobe must remain active (toggling) for  $t^{\text{WPST}}$  (write postamble) after the completion of the burst WRITE. After a burst WRITE operation,  $t^{\text{WR}}$  must be satisfied before a PRECHARGE command to the same bank can be issued. Signal input timings are measured relative to the cross point of DQS<sub>t</sub> and DQS<sub>c</sub>.



# 149-Ball NAND Flash with LPDDR4/LPDDR4X MCP Burst WRITE Operation

Figure 96: Burst WRITE Operation

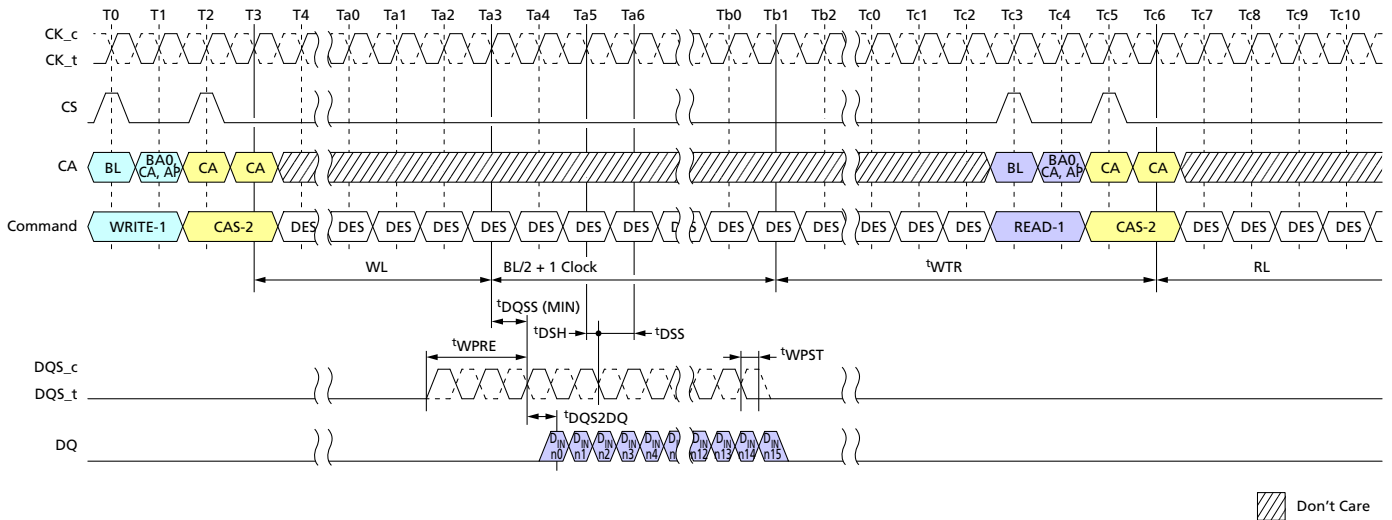


- Notes:
1. BL = 16, Write postamble = 0.5nCK, DQ/DQS: V<sub>SSQ</sub> termination.
  2. D<sub>IN</sub> n = data-in to column n.
  3. t<sub>WR</sub> starts at the rising edge of CK after the last latching edge of DQS.
  4. DES commands are shown for ease of illustration; other commands may be valid at these times.



# 149-Ball NAND Flash with LPDDR4/LPDDR4X MCP Burst WRITE Operation

**Figure 97: Burst Write Followed by Burst Read**



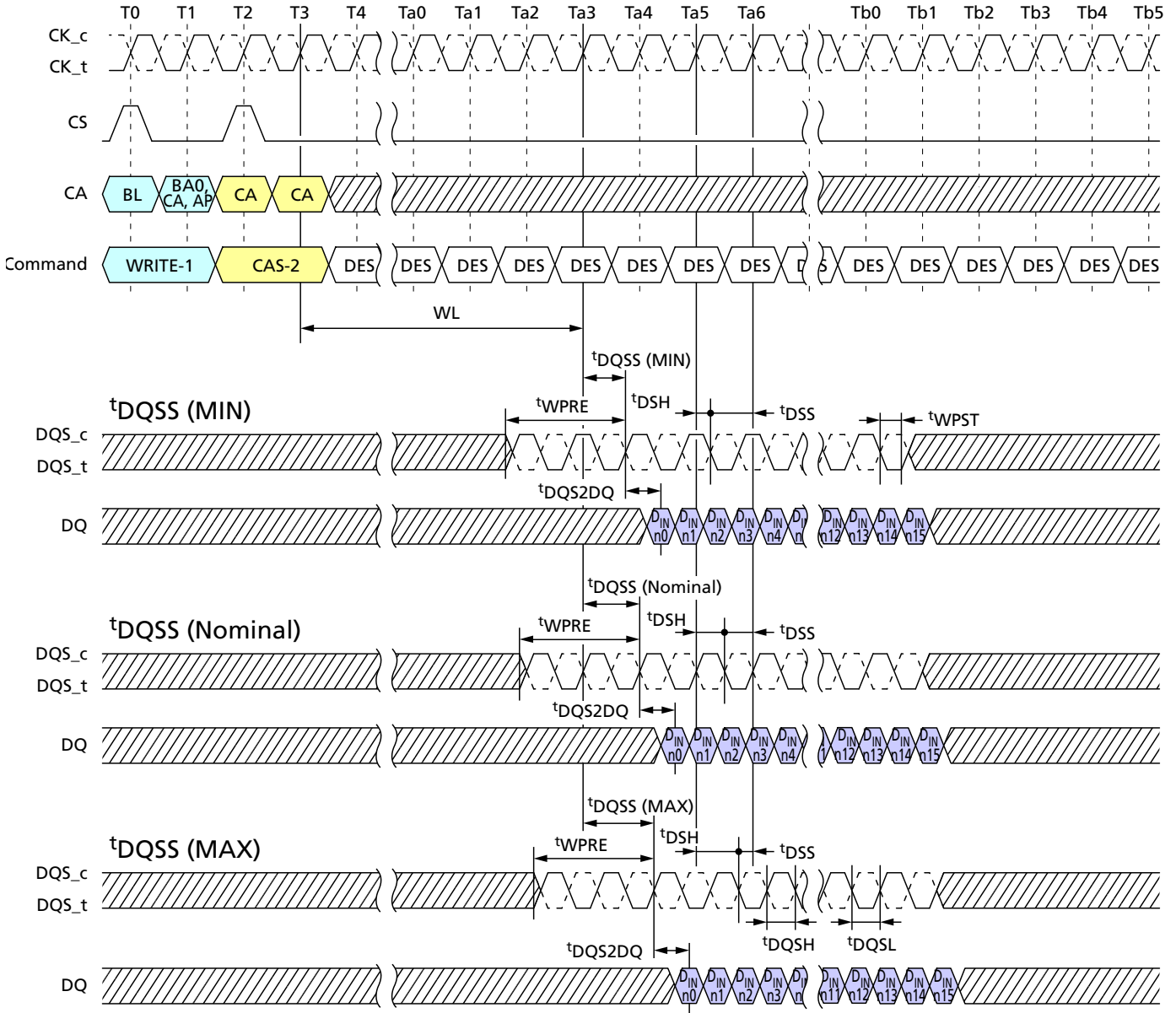
- Notes:
1. BL = 16, Write postamble =  $0.5nCK$ , DQ/DQS:  $V_{SSQ}$  termination.
  2.  $D_{IN} n$  = data-in to column  $n$ .
  3. The minimum number of clock cycles from the burst WRITE command to the burst READ command for any bank is  $\lceil WL + 1 + BL/2 + RU(t_{WTR}/t_{CK}) \rceil$ .
  4.  $t_{WTR}$  starts at the rising edge of CK after the last latching edge of DQS.
  5. DES commands are shown for ease of illustration; other commands may be valid at these times.



# 149-Ball NAND Flash with LPDDR4/LPDDR4X MCP Burst WRITE Operation

## Write Timing

Figure 98: Write Timing



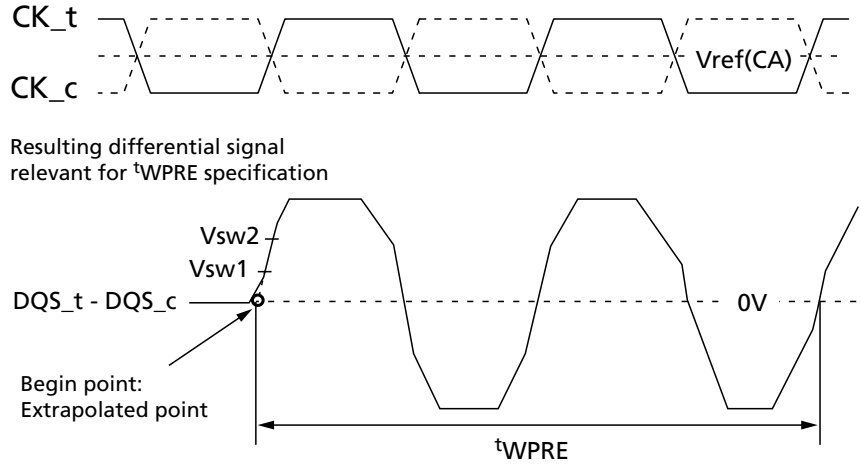
Don't Care

- Notes:
1. BL = 16, Write postamble = 0.5nCK.
  2. D<sub>IN</sub> n = data-in to column n.
  3. DES commands are shown for ease of illustration; other commands may be valid at these times.



**<sup>t</sup>WPRE Calculation for ATE (Automatic Test Equipment)**

**Figure 99: Method for Calculating <sup>t</sup>WPRE Transitions and Endpoints**



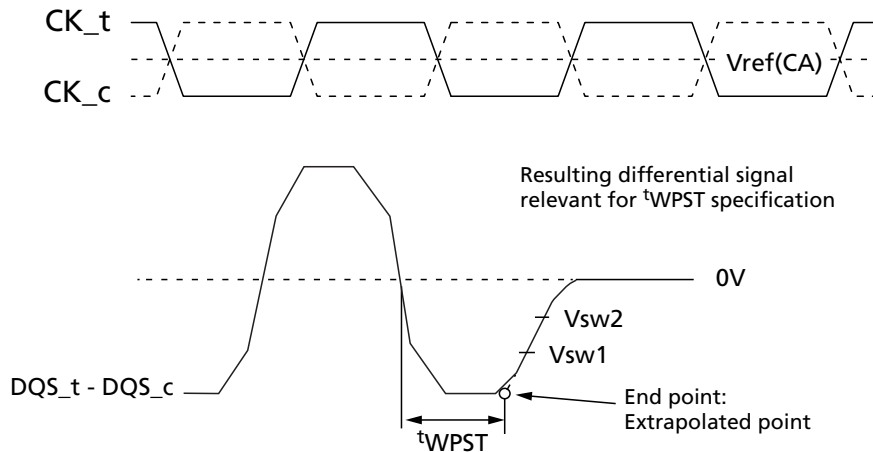
Note: 1. Termination condition for DQS\_t, DQS\_c, DQ, and DMI = 50 ohms to V<sub>SSQ</sub>.

**Table 130: Method for Calculating <sup>t</sup>WPRE Transitions and Endpoints**

Measured Parameter	Measured Parameter Symbol	Vsw1	Vsw2	Unit
DQS_t, DQS_c differential write preamble	<sup>t</sup> WPRE	V <sub>IHL_AC</sub> × 0.3	V <sub>IHL_AC</sub> × 0.7	V

**<sup>t</sup>WPST Calculation for ATE (Automatic Test Equipment)**

**Figure 100: Method for Calculating <sup>t</sup>WPST Transitions and Endpoints**



- Notes:
1. Termination condition for DQS\_t, DQS\_c, DQ, and DMI = 50 ohms to V<sub>SSQ</sub>.
  2. Write postamble: 0.5<sup>t</sup>CK
  3. The method for calculating differential pulse widths for 1.5<sup>t</sup>CK postamble is same as 0.5<sup>t</sup>CK postamble.



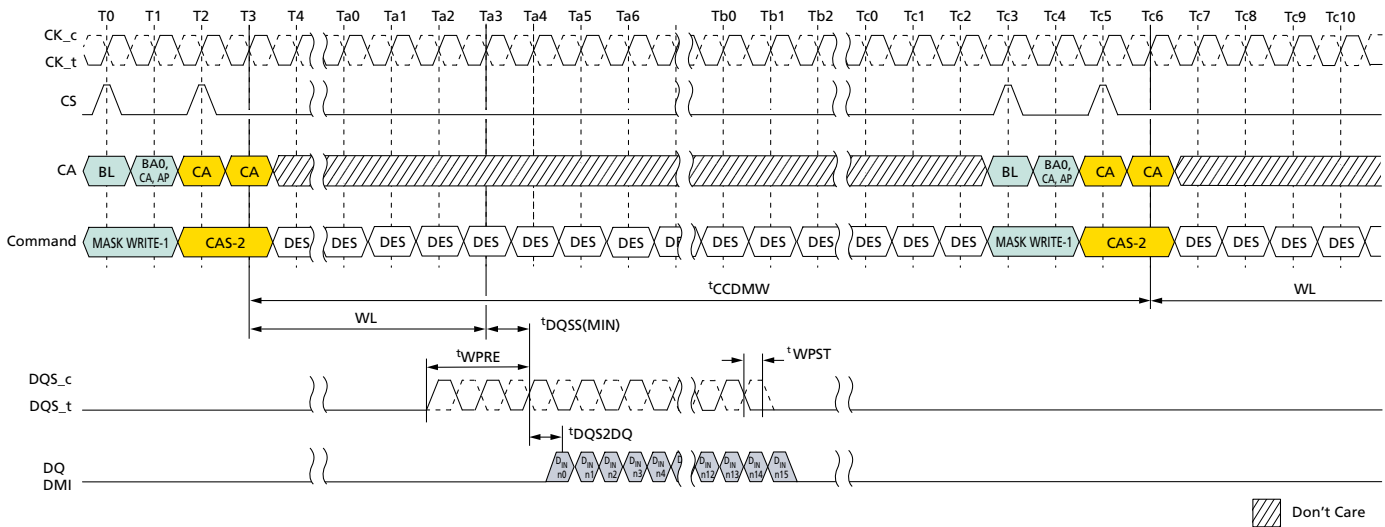
Table 131: Reference Voltage for <sup>t</sup>WPST Timing Measurements

Measured Parameter	Measured Parameter Symbol	Vsw1	Vsw2	Unit
DQS <sub>t</sub> , DQS <sub>c</sub> differential write postamble	<sup>t</sup> WPST	-(V <sub>IHL_AC</sub> × 0.7)	-(V <sub>IHL_AC</sub> × 0.3)	V

## MASK WRITE Operation

The device requires that WRITE operations that include a byte mask anywhere in the burst sequence must use the MASK WRITE command. This allows the device to implement efficient data protection schemes based on larger data blocks. The MASK WRITE-1 command is used to begin the operation, followed by a CAS-2 command. A MASKED WRITE command to the same bank cannot be issued until <sup>t</sup>CCDMW later, to allow the device to finish the internal READ-MODIFY-WRITE operation. One data-mask-invert (DMI) pin is provided per byte lane, and the data-mask-invert timings match data bit (DQ) timing. See Data Mask Invert for more information on the use of the DMI signal.

Figure 101: MASK WRITE Command – Same Bank



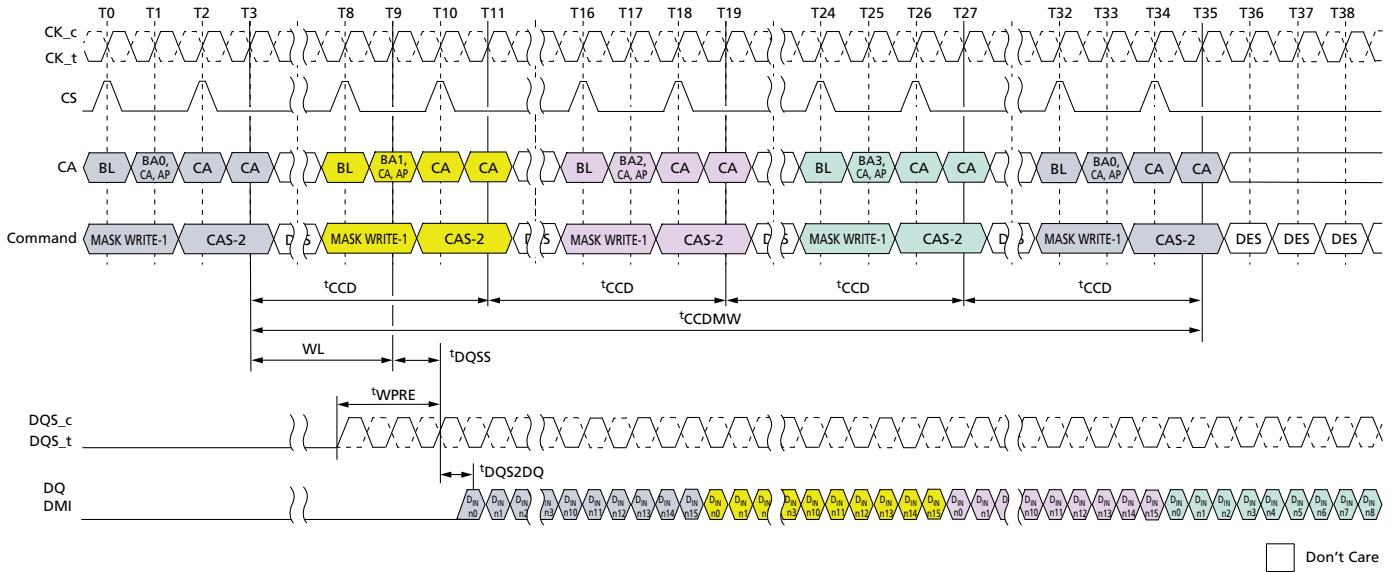
- Notes:
1. BL = 16, Write postamble = 0.5nCK, DQ/DQS: V<sub>SSQ</sub> termination.
  2. D<sub>IN</sub> n = data-in to column n.
  3. Mask-write supports only BL16 operations. For BL32 configuration, the system needs to insert only 16-bit wide data for MASKED WRITE operation.
  4. DES commands are shown for ease of illustration; other commands may be valid at these time.





# 149-Ball NAND Flash with LPDDR4/LPDDR4X MCP MASK WRITE Operation

**Figure 102: MASK WRITE Command – Different Bank**



- Notes:
1. BL = 16, DQ/DQS/DMI: V<sub>SSQ</sub> termination.
  2. D<sub>IN</sub> n = data-in to column n.
  3. Mask-write supports only BL16 operations. For BL32 configuration, the system needs to insert only 16-bit wide data for MASKED WRITE operation.
  4. DES commands are shown for ease of illustration; other commands may be valid at these time.



**149-Ball NAND Flash with LPDDR4/LPDDR4X MCP MASK WRITE Operation**

**Mask Write Timing Constraints for BL16**

**Table 132: Same Bank (ODT Disabled)**

Next CMD Current CMD	ACTIVE	READ (BL = 16 or 32)	WRITE (BL = 16 or 32)	MASK WRITE	PRECHARGE
ACTIVE	Illegal	$RU(t_{RCD}/t_{CK})$	$RU(t_{RCD}/t_{CK})$	$RU(t_{RCD}/t_{CK})$	$RU(t_{RAS}/t_{CK})$
READ (with BL = 16)	Illegal	$8^1$	$RL + RU(t_{DQSCK}(MAX)/t_{CK}) + BL/2 - WL + t_{WPRE} + RD(t_{RPST})$	$RL + RU(t_{DQSCK}(MAX)/t_{CK}) + BL/2 - WL + t_{WPRE} + RD(t_{RPST})$	$BL/2 + MAX\{(8, RU(t_{RTP}/t_{CK}))\} - 8$
READ (with BL = 32)	Illegal	$16^2$	$RL + RU(t_{DQSCK}(MAX)/t_{CK}) + BL/2 - WL + t_{WPRE} + RD(t_{RPST})$	$RL + RU(t_{DQSCK}(MAX)/t_{CK}) + BL/2 - WL + t_{WPRE} + RD(t_{RPST})$	$BL/2 + MAX\{(8, RU(t_{RTP}/t_{CK}))\} - 8$
WRITE (with BL = 16)	Illegal	$WL + 1 + BL/2 + RU(t_{WTR}/t_{CK})$	$8^1$	$t_{CCDMW}^3$	$WL + 1 + BL/2 + RU(t_{WR}/t_{CK})$
WRITE (with BL = 32)	Illegal	$WL + 1 + BL/2 + RU(t_{WTR}/t_{CK})$	$16^2$	$t_{CCDMW} + 8^4$	$WL + 1 + BL/2 + RU(t_{WR}/t_{CK})$
MASK WRITE	Illegal	$WL + 1 + BL/2 + RU(t_{WTR}/t_{CK})$	$t_{CCD}$	$t_{CCDMW}^3$	$WL + 1 + BL/2 + RU(t_{WR}/t_{CK})$
PRECHARGE	$RU(t_{RP}/t_{CK}), RU(t_{RPab}/t_{CK})$	Illegal	Illegal	Illegal	4

- Notes:
1. In the case of BL = 16,  $t_{CCD}$  is  $8 \times t_{CK}$ .
  2. In the case of BL = 32,  $t_{CCD}$  is  $16 \times t_{CK}$ .
  3.  $t_{CCDMW} = 32 \times t_{CK}$  ( $4 \times t_{CCD}$  at BL = 16).
  4. WRITE with BL = 32 operation is  $8 \times t_{CK}$  longer than BL = 16.

**Table 133: Different Bank (ODT Disabled)**

Next CMD Current CMD	ACTIVE	READ (BL = 16 or 32)	WRITE (BL = 16 or 32)	MASK WRITE	PRECHARGE
ACTIVE	$RU(t_{RRD}/t_{CK})$	4	4	4	$2^2$
READ (with BL = 16)	4	$8^1$	$RL + RU(t_{DQSCK}(MAX)/t_{CK}) + BL/2 - WL + t_{WPRE} + RD(t_{RPST})$	$RL + RU(t_{DQSCK}(MAX)/t_{CK}) + BL/2 - WL + t_{WPRE} + RD(t_{RPST})$	$2^2$
READ (with BL = 32)	4	$16^2$	$RL + RU(t_{DQSCK}(MAX)/t_{CK}) + BL/2 - WL + t_{WPRE} + RD(t_{RPST})$	$RL + RU(t_{DQSCK}(MAX)/t_{CK}) + BL/2 - WL + t_{WPRE} + RD(t_{RPST})$	$2^2$
WRITE (with BL = 16)	4	$WL + 1 + BL/2 + RU(t_{WTR}/t_{CK})$	$8^1$	$8^1$	$2^2$
WRITE (with BL = 32)	4	$WL + 1 + BL/2 + RU(t_{WTR}/t_{CK})$	$16^2$	$16^2$	$2^2$
MASK WRITE	4	$WL + 1 + BL/2 + RU(t_{WTR}/t_{CK})$	$8^1$	$8^1$	$2^2$



## 149-Ball NAND Flash with LPDDR4/LPDDR4X MCP MASK WRITE Operation

**Table 133: Different Bank (ODT Disabled) (Continued)**

Next CMD Current CMD	ACTIVE	READ (BL = 16 or 32)	WRITE (BL = 16 or 32)	MASK WRITE	PRECHARGE
PRECHARGE	4	4	4	4	4

- Notes: 1. In the case of BL = 16,  $t_{CCD}$  is  $8 \times t_{CK}$   
 2. In the case of BL = 32,  $t_{CCD}$  is  $16 \times t_{CK}$

**Table 134: Same Bank (ODT Enabled)**

Next CMD Current CMD	ACTIVE	READ (BL = 16 or 32)	WRITE (BL = 16 or 32)	MASK WRITE	PRECHARGE
ACTIVE	Illegal	$RU(t_{RCD}/t_{CK})$	$RU(t_{RCD}/t_{CK})$	$RU(t_{RCD}/t_{CK})$	$RU(t_{RAS}/t_{CK})$
READ (with BL = 16)	Illegal	$8^1$	$RL + RU(t_{DQSK}(MAX)/t_{CK}) + BL/2 + RD(t_{RPST}) - ODT_{Lon} - RD(t_{ODTon}(MIN)/t_{CK})$	$RL + RU(t_{DQSK}(MAX)/t_{CK}) + BL/2 + RD(t_{RPST}) - ODT_{Lon} - RD(t_{ODTon}(MIN)/t_{CK})$	$BL/2 + \text{MAX}\{(8, RU(t_{RTP}/t_{CK}))\} - 8$
READ (with BL = 32)	Illegal	$16^2$	$RL + RU(t_{DQSK}(MAX)/t_{CK}) + BL/2 + RD(t_{RPST}) - ODT_{Lon} - RD(t_{ODTon}(MIN)/t_{CK})$	$RL + RU(t_{DQSK}(MAX)/t_{CK}) + BL/2 + RD(t_{RPST}) - ODT_{Lon} - RD(t_{ODTon}(MIN)/t_{CK})$	$BL/2 + \text{MAX}\{(8, RU(t_{RTP}/t_{CK}))\} - 8$
WRITE (with BL = 16)	Illegal	$WL + 1 + BL/2 + RU(t_{WTR}/t_{CK})$	$8^1$	$t_{CCDMW}^3$	$WL + 1 + BL/2 + RU(t_{WTR}/t_{CK})$
WRITE (with BL = 32)	Illegal	$WL + 1 + BL/2 + RU(t_{WTR}/t_{CK})$	$16^2$	$t_{CCDMW} + 8^4$	$WL + 1 + BL/2 + RU(t_{WTR}/t_{CK})$
MASK WRITE	Illegal	$WL + 1 + BL/2 + RU(t_{WTR}/t_{CK})$	$t_{CCD}$	$t_{CCDMW}^3$	$WL + 1 + BL/2 + RU(t_{WTR}/t_{CK})$
PRECHARGE	$RU(t_{RP}/t_{CK}), RU(t_{RPab}/t_{CK})$	Illegal	Illegal	Illegal	4

- Notes: 1. In the case of BL = 16,  $t_{CCD}$  is  $8 \times t_{CK}$ .  
 2. In the case of BL = 32,  $t_{CCD}$  is  $16 \times t_{CK}$ .  
 3.  $t_{CCDMW} = 32 \times t_{CK}$  ( $4 \times t_{CCD}$  at BL = 16).  
 4. WRITE with BL = 32 operation is  $8 \times t_{CK}$  longer than BL = 16.

**Table 135: Different Bank (ODT Enabled)**

Next CMD Current CMD	ACTIVE	READ (BL = 16 or 32)	WRITE (BL = 16 or 32)	MASK WRITE	PRECHARGE
ACTIVE	$RU(t_{RRD}/t_{CK})$	4	4	4	$2^2$
READ (with BL = 16)	4	$8^1$	$RL + RU(t_{DQSK}(MAX)/t_{CK}) + BL/2 + RD(t_{RPST}) - ODT_{Lon} - RD(t_{ODTon}(MIN)/t_{CK})$	$RL + RU(t_{DQSK}(MAX)/t_{CK}) + BL/2 + RD(t_{RPST}) - ODT_{Lon} - RD(t_{ODTon}(MIN)/t_{CK})$	$2^2$



## 149-Ball NAND Flash with LPDDR4/LPDDR4X MCP Data Mask and Data Bus Inversion (DBI [DC]) Function

**Table 135: Different Bank (ODT Enabled) (Continued)**

Next CMD Current CMD	ACTIVE	READ (BL = 16 or 32)	WRITE (BL = 16 or 32)	MASK WRITE	PRECHARGE
READ (with BL = 32)	4	16 <sup>2</sup>	RL + RU( tDQSCK(MAX)/tCK) + BL/2 + RD(tRPST) - ODTLon - RD( tODTon(MIN)/tCK)	RL + RU( tDQSCK(MAX)/tCK) + BL/2 + RD(tRPST) - ODTLon - RD( tODTon(MIN)/tCK)	2 <sup>2</sup>
WRITE (with BL = 16)	4	WL + 1 + BL/2 + RU(tWTR/tCK)	8 <sup>1</sup>	8 <sup>1</sup>	2 <sup>2</sup>
WRITE (with BL = 32)	4	WL + 1 + BL/2 + RU(tWTR/tCK)	16 <sup>2</sup>	16 <sup>2</sup>	2 <sup>2</sup>
MASK WRITE	4	WL + 1 + BL/2 + RU(tWTR/tCK)	8 <sup>1</sup>	8 <sup>1</sup>	2 <sup>2</sup>
PRECHARGE	4	4	4	4	4

- Notes: 1. In the case of BL = 16, tCCD is 8 × tCK.  
2. In the case of BL = 32, tCCD is 16 × tCK.

## Data Mask and Data Bus Inversion (DBI [DC]) Function

Data mask (DM) is supported for WRITE operations and the data bus inversion DBI (DC) is supported for READ, WRITE, MASK WRITE, MRR, and MRW operations. DM and DBI (DC) functions are supported with byte granularity. DBI (DC) for READ operations (READ, MRR) can be enabled or disabled via MR3 OP[6]. DBI (DC) for WRITE operations (WRITE, MASK WRITE, MRW) can be enabled or disabled via MR3 OP[7]. DM for MASK WRITE operations can be enabled or disabled via MR13 OP[5]. The device has one data mask inversion (DMI) pin per byte and a total of two DMI pins per channel. The DMI signal is a bidirectional DDR signal, is sampled with the DQ signals, and is electrically identical to a DQ signal.

There are eight possible states for the device with the DM and DBI (DC) functions.

**Table 136: Function Behavior of DMI Signal During WRITE, MASKED WRITE, and READ Operations**

DM Function	Write DBI (DC)	Read DBI (DC)	DMI Signal					
			During WRITE	During MASKED WRITE	During READ	During MPC[WRITE-FIFO]	During MPC[READ-FIFO]	During MPC[READ-DQ CAL]
Disabled	Disabled	Disabled	Don't Care <sup>1</sup>	Illegal <sup>1, 3</sup>	High-Z <sup>2</sup>	Don't Care <sup>1</sup>	High-Z <sup>2</sup>	High-Z <sup>2</sup>
Disabled	Enabled	Disabled	DBI (DC) <sup>4</sup>	Illegal <sup>3</sup>	High-Z <sup>2</sup>	Train <sup>9</sup>	Train <sup>10</sup>	Train <sup>11</sup>
Disabled	Disabled	Enabled	Don't Care <sup>1</sup>	Illegal <sup>3</sup>	DBI (DC) <sup>5</sup>	Train <sup>9</sup>	Train <sup>10</sup>	Train <sup>11</sup>
Disabled	Enabled	Enabled	DBI (DC) <sup>4</sup>	Illegal <sup>3</sup>	DBI (DC) <sup>5</sup>	Train <sup>9</sup>	Train <sup>10</sup>	Train <sup>11</sup>
Enabled	Disabled	Disabled	Don't Care <sup>6</sup>	DM <sup>7</sup>	High-Z <sup>2</sup>	Train <sup>9</sup>	Train <sup>10</sup>	Train <sup>11</sup>
Enabled	Enabled	Disabled	DBI (DC) <sup>4</sup>	DBI (DC) <sup>8</sup>	High-Z <sup>2</sup>	Train <sup>9</sup>	Train <sup>10</sup>	Train <sup>11</sup>
Enabled	Disabled	Enabled	Don't Care <sup>6</sup>	DM <sup>7</sup>	DBI (DC) <sup>5</sup>	Train <sup>9</sup>	Train <sup>10</sup>	Train <sup>11</sup>



## 149-Ball NAND Flash with LPDDR4/LPDDR4X MCP Data Mask and Data Bus Inversion (DBI [DC]) Function

**Table 136: Function Behavior of DMI Signal During WRITE, MASKED WRITE, and READ Operations (Continued)**

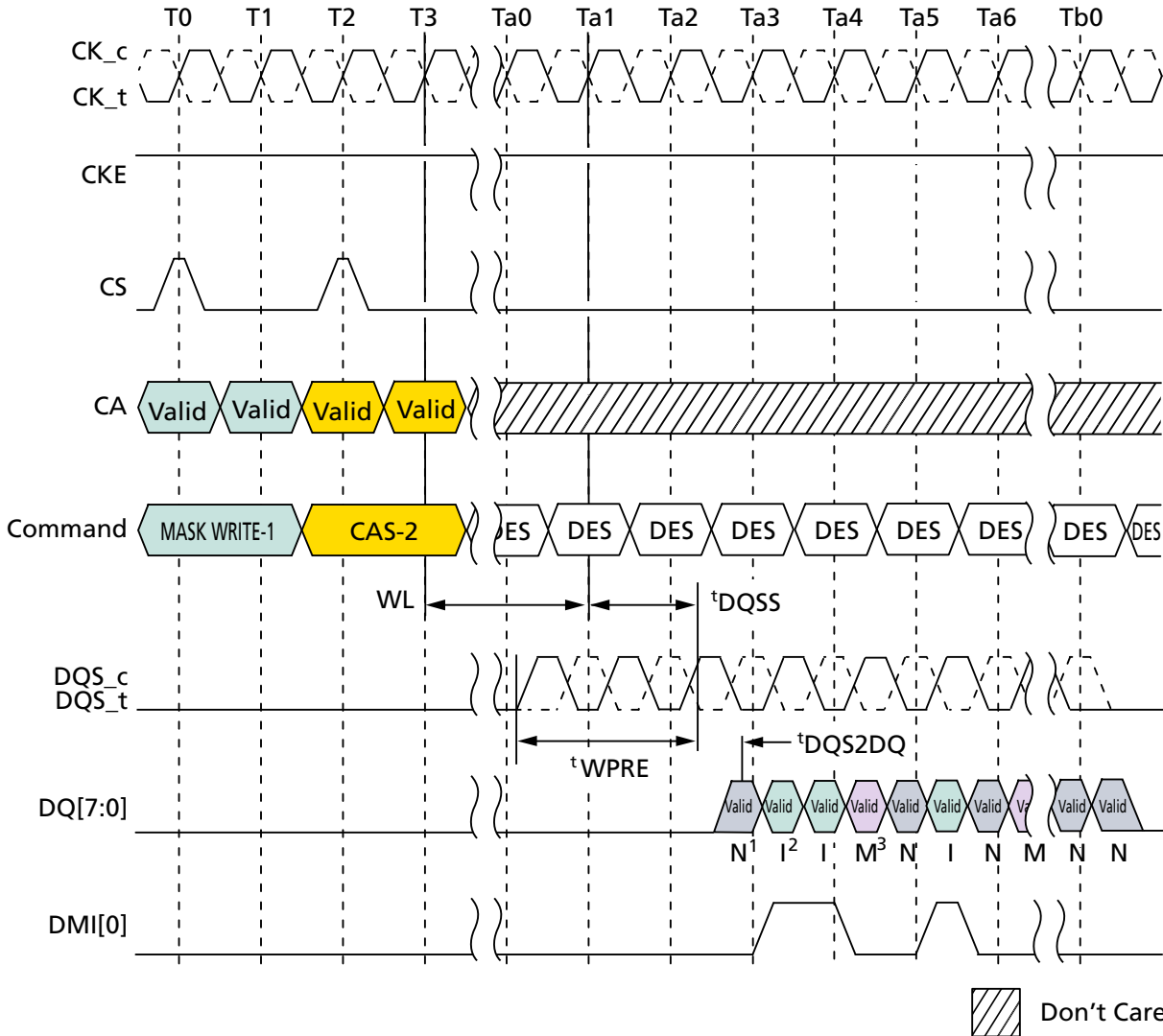
DM Function	Write DBI (DC)	Read DBI (DC)	DMI Signal					
			During WRITE	During MASKED WRITE	During READ	During MPC[WRITE-FIFO]	During MPC[READ-FIFO]	During MPC[READ DQ CAL]
Enabled	Enabled	Enabled	DBI (DC) <sup>4</sup>	DBI (DC) <sup>8</sup>	DBI (DC) <sup>5</sup>	Train <sup>9</sup>	Train <sup>10</sup>	Train <sup>11</sup>

- Notes:
1. The DMI input signal is "Don't Care." DMI input receivers are turned off.
  2. DMI output drivers are turned off.
  3. The MASK WRITE command is not allowed and is considered an illegal command when the DM function is disabled.
  4. The DMI signal is treated as DBI and indicates whether the device needs to invert the write data received on DQ within a byte. The device inverts write data received on the DQ inputs if DMI is sampled HIGH and leaves the write data non-inverted if DMI is sampled LOW.
  5. The device inverts read data on its DQ outputs associated within a byte and drives the DMI signal HIGH when more than four data bits = 1 within a given byte lane; otherwise, the device does not invert the read data and drives DMI signal LOW.
  6. The device does not perform a MASK operation when it receives a WRITE (or MRW) command. During the WRITE burst, the DMI signal must be driven LOW.
  7. The device requires an explicit MASKED WRITE command for all MASKED WRITE operations. The DMI signal is treated as a data mask (DM) and indicates which bytes within a burst will be masked. When the DMI signal is sampled HIGH, the device masks that beat of the burst for the given byte lane. All DQ input signals within a byte are "Don't Care" (either HIGH or LOW) when DMI is HIGH. When the DMI signal is sampled LOW, the device does not perform a MASK operation and data received on the DQ inputs is written to the array.
  8. The device requires an explicit MASKED WRITE command for all MASKED WRITE operations. The device masks the write data received on the DQ inputs if five or more data bits = 1 on DQ[2:7] or DQ[10:15] (for lower byte or upper byte respectively) and the DMI signal is LOW. Otherwise, the device does not perform the MASK operation and treats it as a legal DBI pattern. The DMI signal is treated as a DBI signal, and data received on the DQ input is written to the array.
  9. The DMI signal is treated as a training pattern. The device does not perform any MASK operation and does not invert write data received on the DQ inputs.
  10. The DMI signal is treated as a training pattern. The device returns the data pattern written to the WRITE-FIFO.
  11. The DMI signal is treated as a training pattern. For more information, see the Read DQ Calibration Training section.



# 149-Ball NAND Flash with LPDDR4/LPDDR4X MCP Data Mask and Data Bus Inversion (DBI [DC]) Function

**Figure 103: MASKED WRITE Command with Write DBI Enabled; DM Enabled**

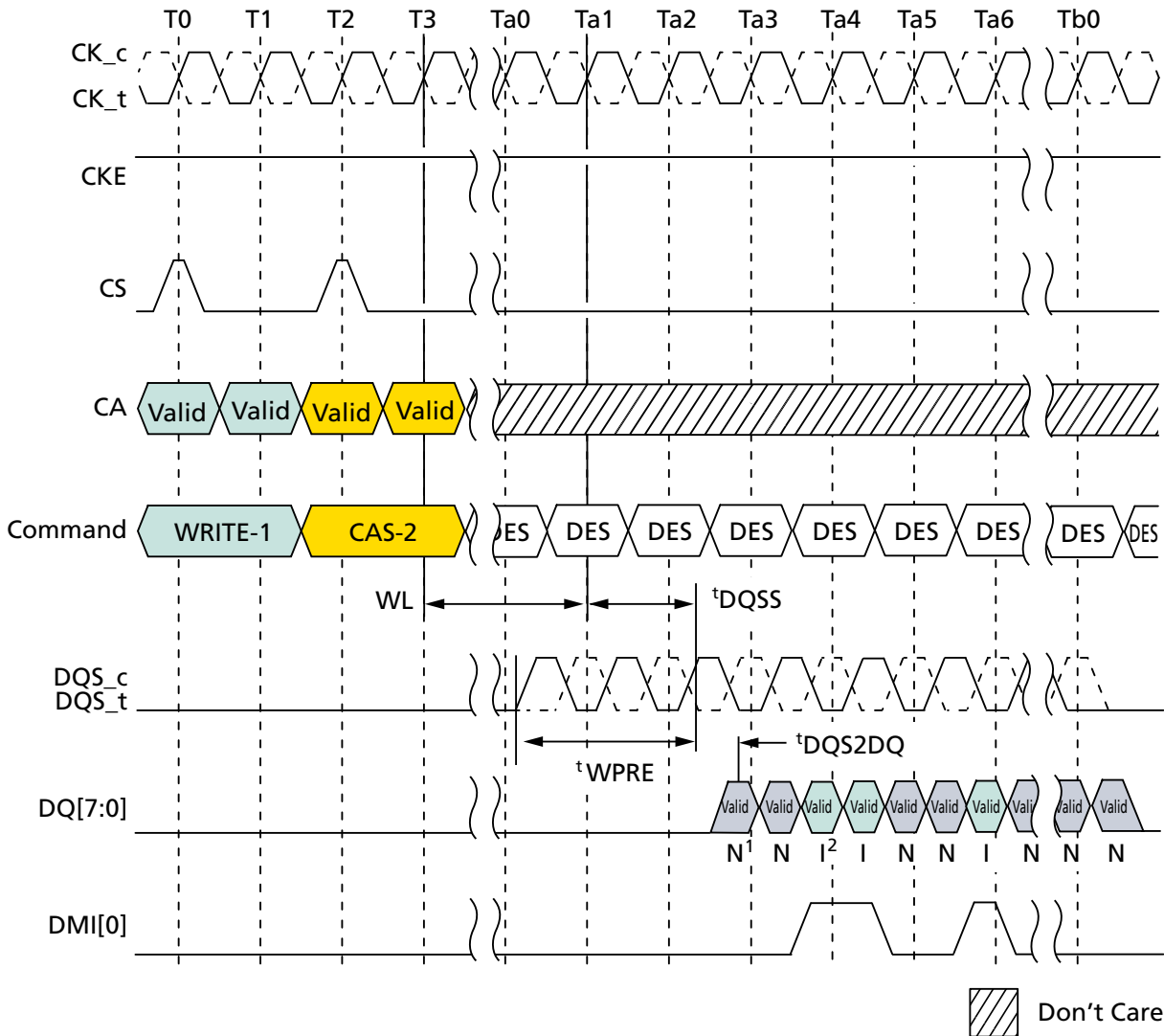


- Notes:
1. N: Input data is written to DRAM cell.
  2. I: Input data is inverted, then written to DRAM cell.
  3. M: Input data is masked. The total count of 1 data bits on DQ[7:2] is equal to or greater than five.
  4. Data mask (DM) is enable: MR13 OP [5] = 0, Data bus inversion (DBI) write is enable: MR3 OP[7] = 1.



# 149-Ball NAND Flash with LPDDR4/LPDDR4X MCP Data Mask and Data Bus Inversion (DBI [DC]) Function

**Figure 104: WRITE Command with Write DBI Enabled; DM Disabled**



- Notes:
1. N: Input data is written to DRAM cell.
  2. I: Input data is inverted, then written to DRAM cell.
  3. Data mask (DM) is disable: MR13 OP [5] = 1, Data bus inversion (DBI) write is enable: MR3 OP[7] = 1.



## WRITE and MASKED WRITE Operation DQS Control (WDQS Control)

The device supports WRITE, MASKED WRITE, and WR-FIFO operations with the following DQS controls. Before and after WRITE, MASKED WRITE, and WR-FIFO operations, DQS<sub>t</sub> and DQS<sub>c</sub> are required to have sufficient voltage gap to make sure the write buffers operating normally without any risk of meta-stability.

The device is supported by either of the two WDQS control modes below.

- Mode 1: Read based control
- Mode 2: WDQS<sub>on</sub> / WDQS<sub>off</sub> definition based control

Regardless of ODT enable/disable, WDQS related timing described here does not allow any change of existing command timing constraints for all READ/WRITE operations. In case of any conflict or ambiguity on the command timing constraints caused by the specification here, the specification defined in the Timing Constraints for Training Commands table should have higher priority than WDQS control requirements.

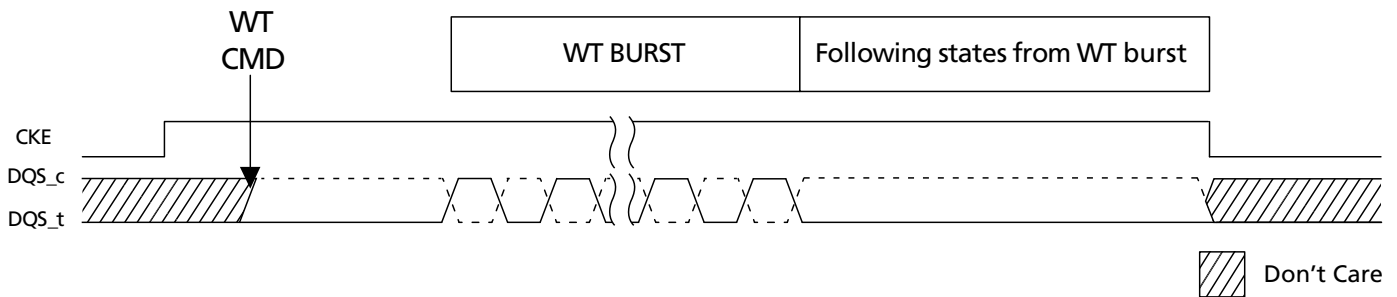
In order to prevent write preamble related failure, either of the two WDQS controls to the device should be supported.

### WDQS Control Mode 1 – Read-Based Control

The device needs to be guaranteed the differential WDQS, but the differential WDQS can be controlled as described below. WDQS control requirements here can be ignored while differential read DQS is operated or while DQS hands over from read to write or vice versa.

1. When WRITE/MASKED WRITE command is issued, SoC makes the transition from driving DQS<sub>c</sub> HIGH to driving differential DQS<sub>t</sub>/DQS<sub>c</sub>, followed by normal differential burst on DQS pins.
2. At the end of post amble of WRITE/MASKED WRITE burst, SoC resumes driving DQS<sub>c</sub> HIGH through the subsequent states except for DQS toggling and DQS turn around time of WT-RD and RD-WT as long as CKE is HIGH.
3. When CKE is LOW, the state of DQS<sub>t</sub>/DQS<sub>c</sub> is allowed to be “Don’t Care.”

**Figure 105: WDQS Control Mode 1**



### WDQS Control Mode 2 – WDQS<sub>On/Off</sub>

After WRITE/MASKED WRITE command is issued, DQS<sub>t</sub> and DQS<sub>c</sub> required to be differential from WDQS<sub>on</sub>, and DQS<sub>t</sub> and DQS<sub>c</sub> can be “Don’t Care” status from WDQS<sub>off</sub> of WRITE/MASKED WRITE command. When ODT is enabled, WDQS<sub>on</sub> and WDQS<sub>off</sub> timing is located in the middle of the operations. When host disables





## 149-Ball NAND Flash with LPDDR4/LPDDR4X MCP WRITE and MASKED WRITE Operation DQS Control (WDQS Control)

ODT, WDQS\_on and WDQS\_off constraints conflict with <sup>t</sup>RTW. The timing does not conflict when ODT is enabled because WDQS\_on and WDQS\_off timing is covered in ODTLon and ODTLoff. However, regardless of ODT on/off, WDQS\_on/off timing below does not change any command timing constraints for all read and write operations. In order to prevent the conflict, WDQS\_on/off requirement can be ignored where WDQS\_on/off timing is overlapped with read operation period including READ burst period and <sup>t</sup>RPST or overlapped with turn-around time (RD-WT or WT-RD). In addition, the period during DQS toggling caused by read and write can be counted as WDQS\_on/off.

### Parameters

- WDQS\_on: The maximum delay from WRITE/MASKED WRITE command to differential DQS\_t and DQS\_c
- WDQS\_off: The minimum delay for DQS\_t and DQS\_c differential input after the last WRITE/MASKED WRITE command
- WDQS\_Exception: The period where WDQS\_on and WDQS\_off timing is overlapped with READ operation or with DQS turn around (RD-WT, WT-RD)
  - WDQS\_Exception @ ODT disable = MAX(WL-WDQS\_on + <sup>t</sup>DQSTA - <sup>t</sup>WPRE - n <sup>t</sup>CK, 0 <sup>t</sup>CK) where RD to WT command gap = <sup>t</sup>RTW(MIN)@ODT disable + n <sup>t</sup>CK
  - WDQS\_Exception @ ODT enable = <sup>t</sup>DQSTA

**Table 137: WDQS\_On/WDQS\_Off Definition**

WRITE Latency		nWR	nRTP	WDQS_On (Max)		WDQS_Off (Min)		Lower Frequency Limit (>)	Upper Frequency Limit (≤)
Set A	Set B			Set A	Set B	Set A	Set B		
4	4	6	8	0	0	15	15	10	266
6	8	10	8	0	0	18	20	266	533
8	12	16	8	0	6	21	25	533	800
10	18	20	8	4	12	24	32	800	1066
12	22	24	10	4	14	27	37	1066	1333
14	26	30	12	6	18	30	42	1333	1600
16	30	34	14	6	20	33	47	1600	1866
18	34	40	16	8	24	36	52	1866	2133

- Notes:
1. WDQS\_on/off requirement can be ignored when WDQS\_on/off timing is overlapped with READ operation period including READ burst period and <sup>t</sup>RPST or overlapped with turn-around time (RD-WT or WT-RD).
  2. DQS toggling period caused by read and write can be counted as WDQS\_on/off.

**Table 138: WDQS\_On/WDQS\_Off Allowable Variation Range**

	Min	Max	Unit
WDQS_on	-0.25	0.25	<sup>t</sup> CK(avg)
WDQS_off	-0.25	0.25	<sup>t</sup> CK(avg)



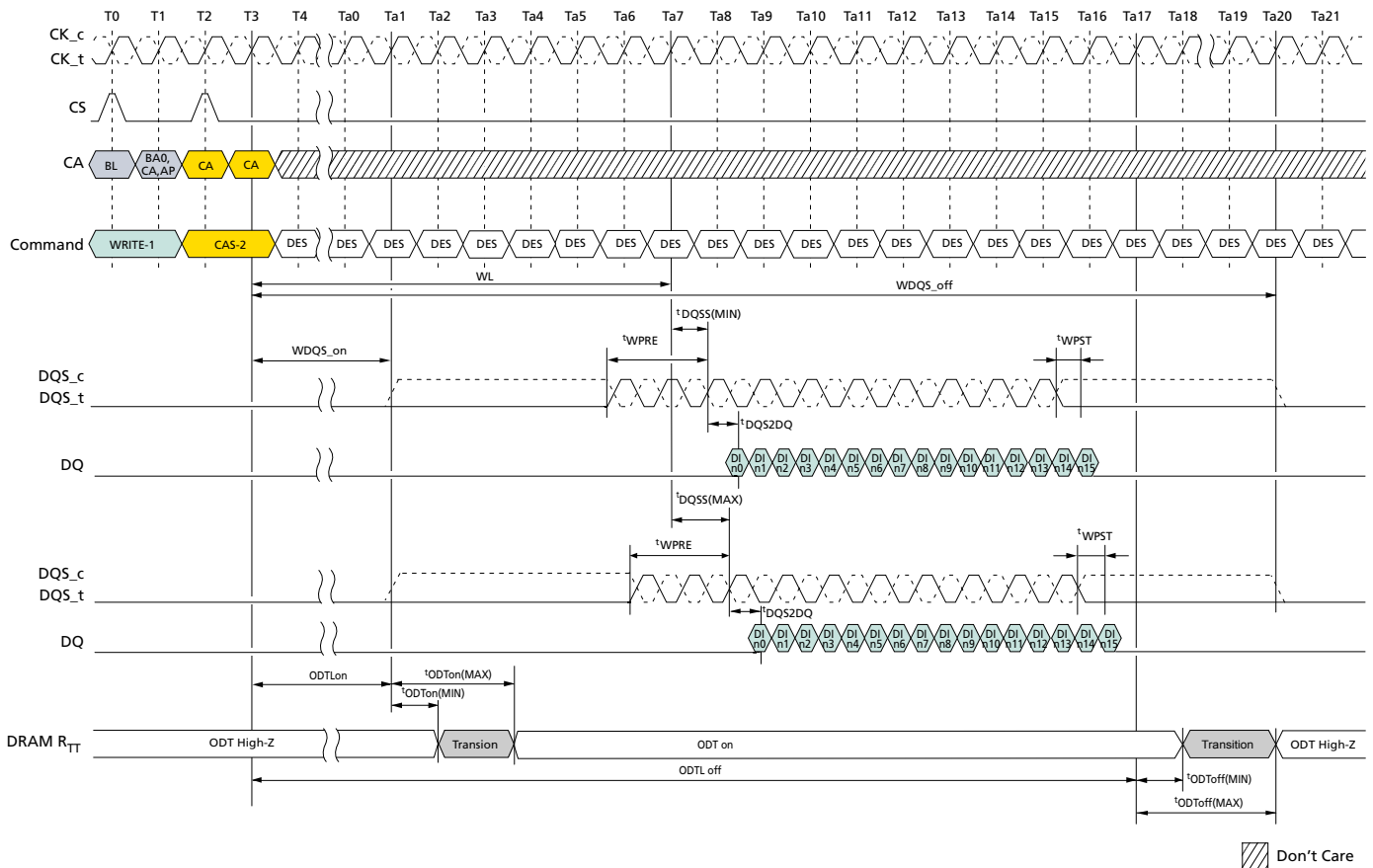
# 149-Ball NAND Flash with LPDDR4/LPDDR4X MCP WRITE and MASKED WRITE Operation DQS Control (WDQS Control)

**Table 139: DQS Turn-Around Parameter**

Parameter	Description	Value	Unit	Note
$t^{\text{DQSTA}}$	Turn-around time RDQS to WDQS for WDQS control case	TBD	-	1

Note: 1.  $t^{\text{DQSTA}}$  is only applied to WDQS\_exception case when WDQS Control. Except for WDQS Control,  $t^{\text{DQSTA}}$  can be ignored.

**Figure 106: Burst WRITE Operation**

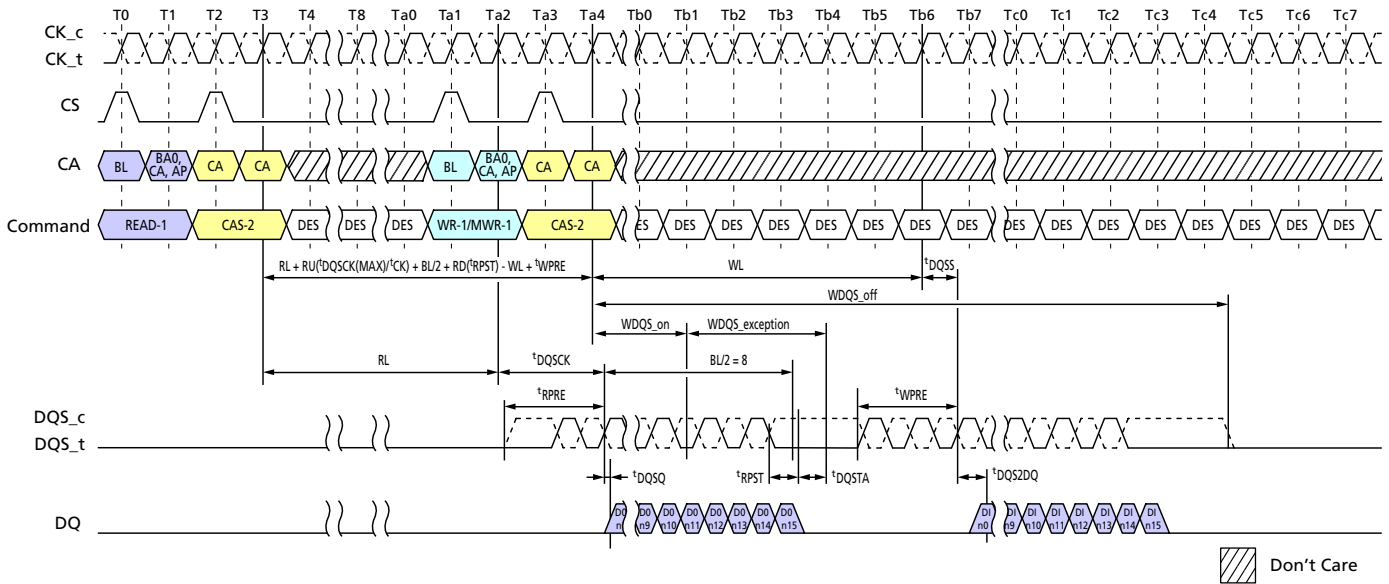


- Notes:
1. BL=16, Write postamble = 0.5nCK, DQ/DQS: V<sub>SSQ</sub> termination.
  2. DI n = data-in to column n.
  3. DES commands are shown for ease of illustration; other commands may be valid at these times.
  4. DRAM R<sub>TT</sub> is only applied when ODT is enabled (MR11 OP[2:0] is not 000b).



# 149-Ball NAND Flash with LPDDR4/LPDDR4X MCP WRITE and MASKED WRITE Operation DQS Control (WDQS Control)

**Figure 107: Burst READ Followed by Burst WRITE or Burst MASKED WRITE (ODT Disable)**

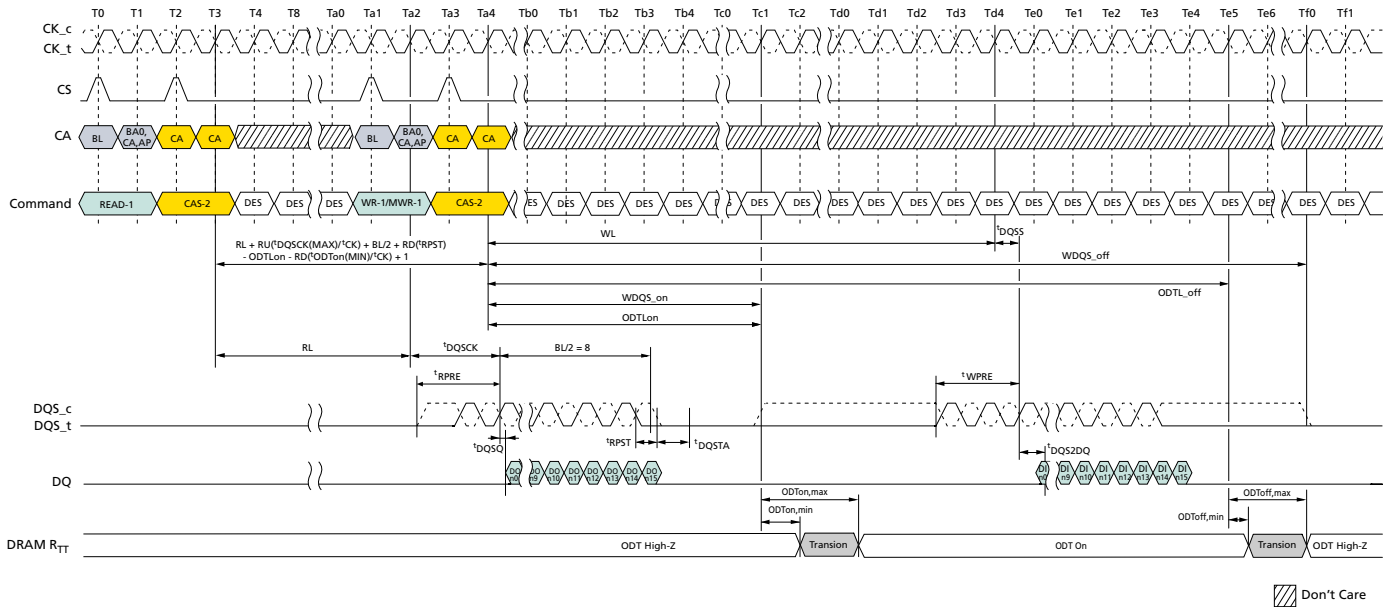


- Notes:
1. BL = 16, Read preamble = Toggle, Read postamble =  $0.5n\text{CK}$ , Write preamble =  $2n\text{CK}$ , Write postamble =  $0.5n\text{CK}$ .
  2. DO  $n$  = data-out from column  $n$ , DI  $n$  = data-in to column  $n$ .
  3. DES commands are shown for ease of illustration; other commands may be valid at these times.
  4. WDQS\_on and WDQS\_off requirement can be ignored where WDQS\_on/off timing is overlapped with READ operation period including READ burst period and  $t_{\text{RPST}}$  or overlapped with turn-around time (RD-WT or WT-RD).



# 149-Ball NAND Flash with LPDDR4/LPDDR4X MCP Preamble and Postamble Behavior

**Figure 108: Burst READ Followed by Burst WRITE or Burst MASKED WRITE (ODT Enable)**



- Notes:
1. BL = 16, Read preamble = Toggle, Read postamble = 0.5nCK, Write preamble = 2nCK, Write postamble = 0.5nCK, DQ/DQS: V<sub>SSQ</sub> termination.
  2. DO n = data-out from column n, DI n = data-in to column n.
  3. DES commands are shown for ease of illustration; other commands may be valid at these times.
  4. WDQS\_on and WDQS\_off requirement can be ignored where WDQS\_on/off timing is overlapped with READ operation period including READ burst period and <sup>t</sup>RPST or overlapped with turn-around time (RD-WT or WT-RD).

## Preamble and Postamble Behavior

### Preamble, Postamble Behavior in READ-to-READ Operations

The following illustrations show the behavior of the device's read DQS\_t and DQS\_c pins during cases where the preamble, postamble, and/or data clocking overlap.

DQS will be driven with the following priority

1. Data clocking edges will always be driven
2. Postamble
3. Preamble

Essentially the data clocking, preamble, and postamble will be ordered such that all edges will be driven.

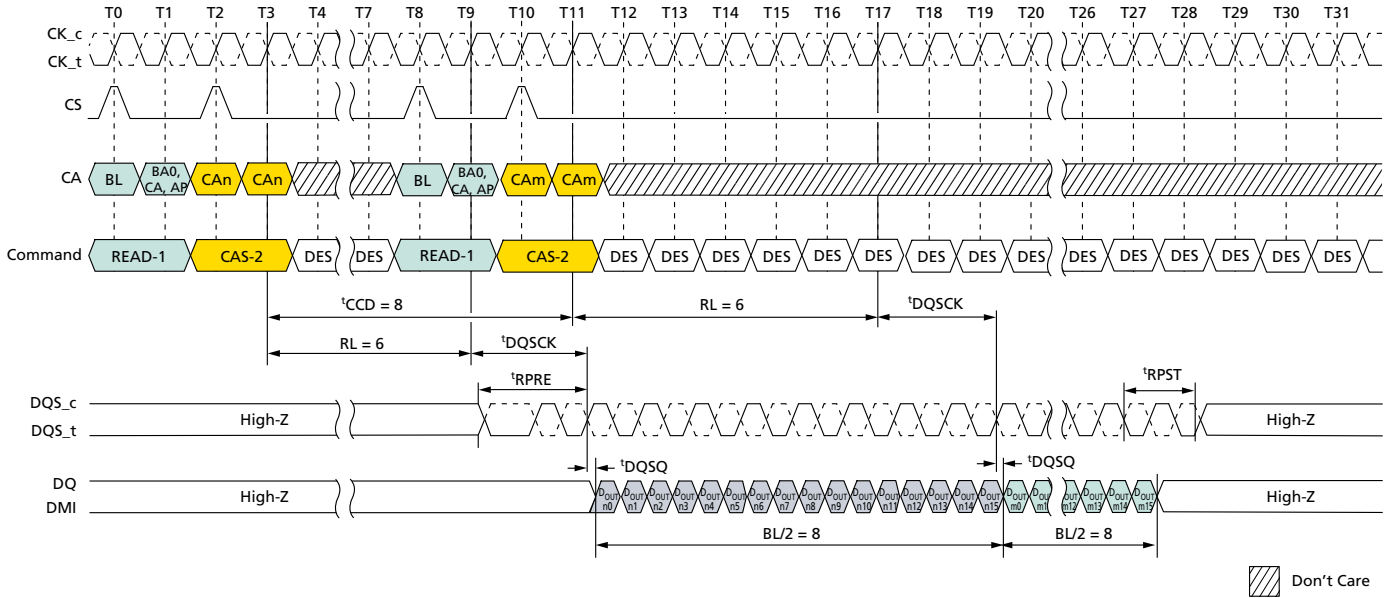
Additional examples of seamless and borderline non-overlapping cases have been included for clarity.



# 149-Ball NAND Flash with LPDDR4/LPDDR4X MCP Preamble and Postamble Behavior

## READ-to-READ Operations – Seamless

**Figure 109: READ Operations:  $t_{CCD} = \text{MIN}$ , Preamble = Toggle, 1.5nCK Postamble**



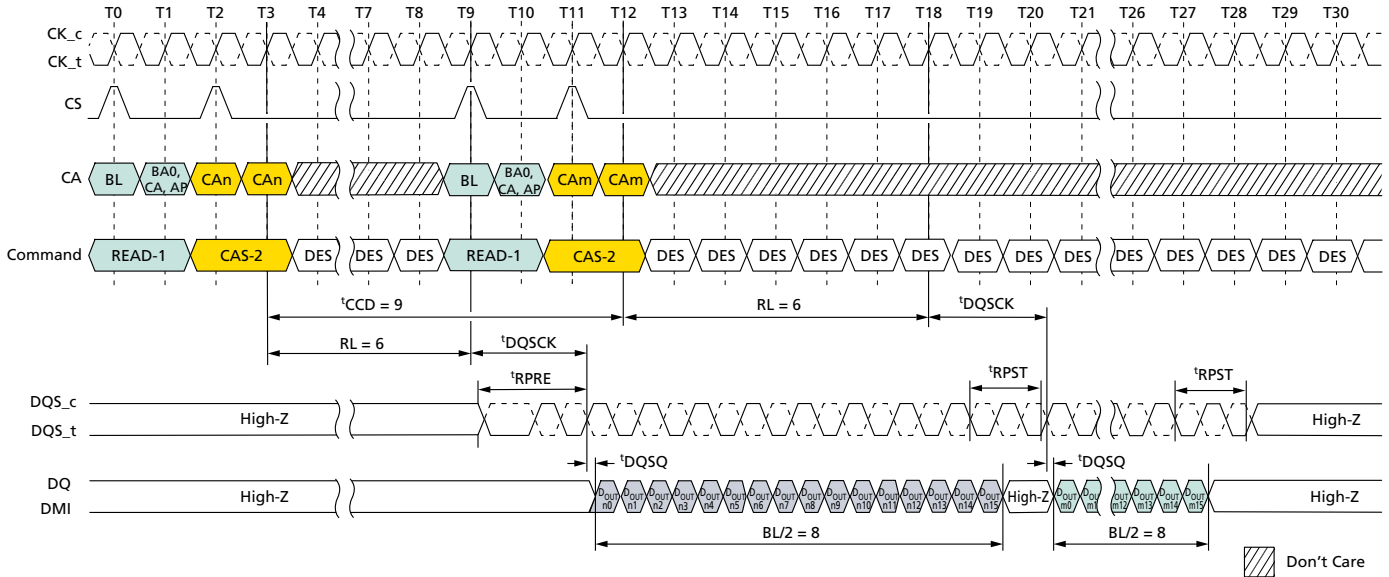
- Notes:
1. BL = 16 for column  $n$  and column  $m$ ; RL = 6; Preamble = Toggle; Postamble = 1.5nCK.
  2. D<sub>OUT</sub>  $n/m$  = data-out from column  $n$  and column  $m$ .
  3. DES commands are shown for ease of illustration; other commands may be valid at these times.



# 149-Ball NAND Flash with LPDDR4/LPDDR4X MCP Preamble and Postamble Behavior

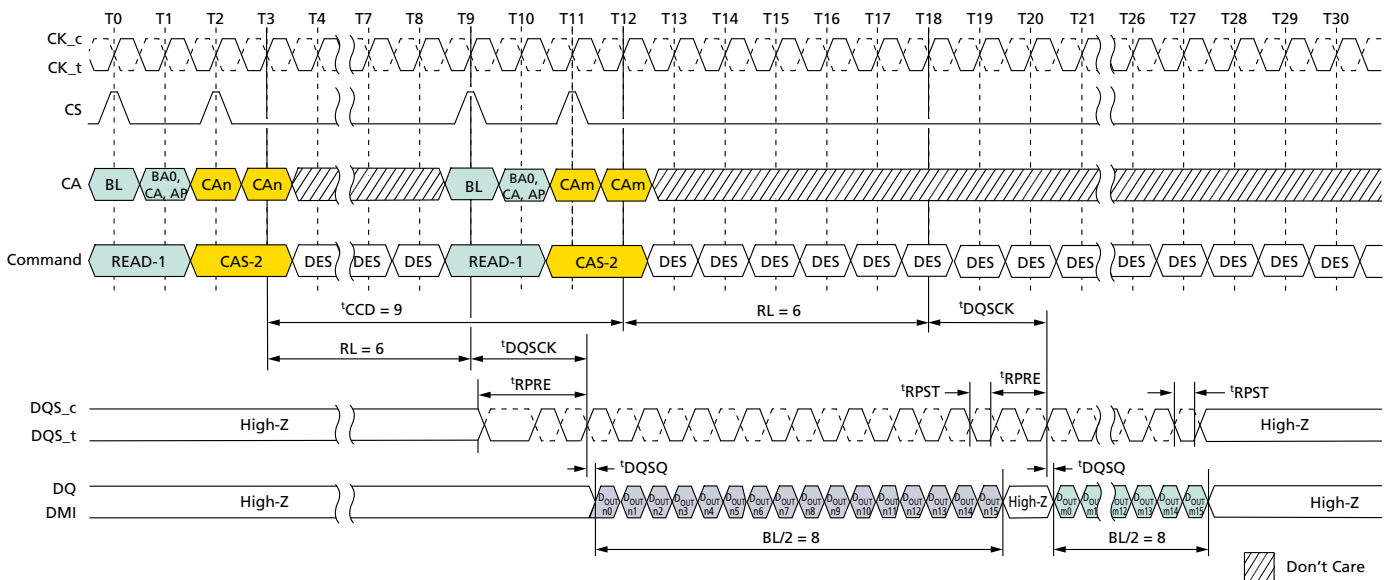
## READ-to-READ Operations – Consecutive

**Figure 110: Seamless READ:  $t_{CCD} = MIN + 1$ , Preamble = Toggle, 1.5nCK Postamble**



- Notes:
1. BL = 16 for column  $n$  and column  $m$ ;  $RL = 6$ ; Preamble = Toggle; Postamble = 1.5nCK.
  2.  $D_{OUT} n/m$  = data-out from column  $n$  and column  $m$ .
  3. DES commands are shown for ease of illustration; other commands may be valid at these times.

**Figure 111: Consecutive READ:  $t_{CCD} = MIN + 1$ , Preamble = Toggle, 0.5nCK Postamble**



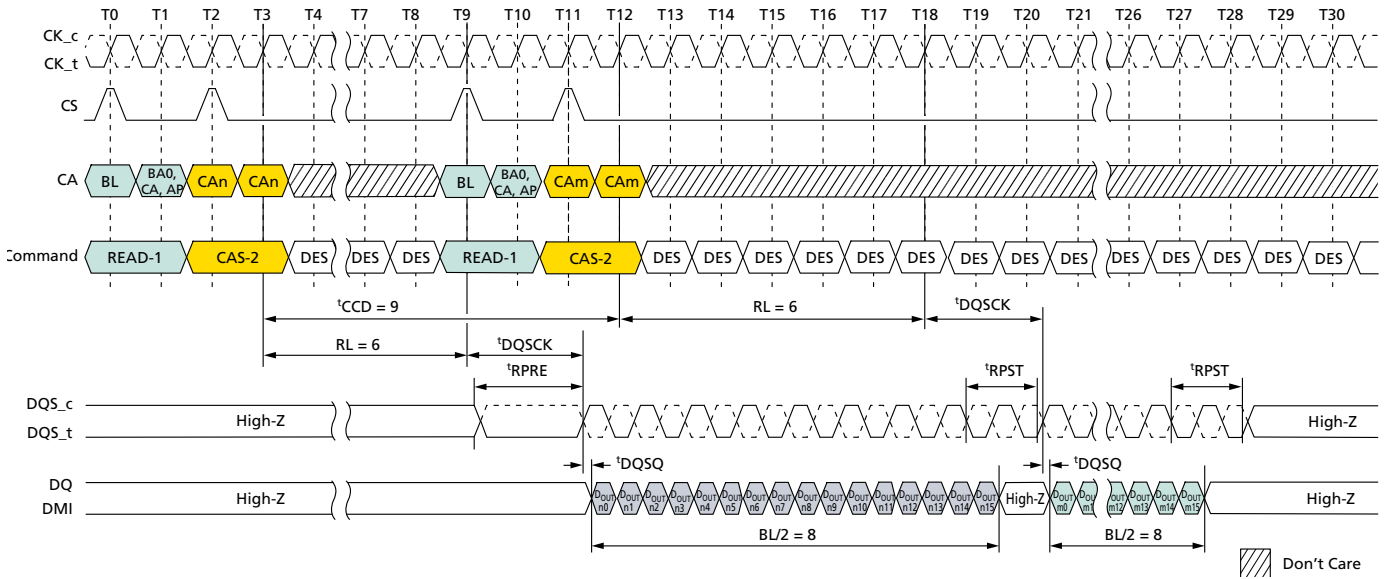
- Notes:
1. BL = 16 for column  $n$  and column  $m$ ;  $RL = 6$ ; Preamble = Toggle; Postamble = 0.5nCK.
  2.  $D_{OUT} n/m$  = data-out from column  $n$  and column  $m$ .



# 149-Ball NAND Flash with LPDDR4/LPDDR4X MCP Preamble and Postamble Behavior

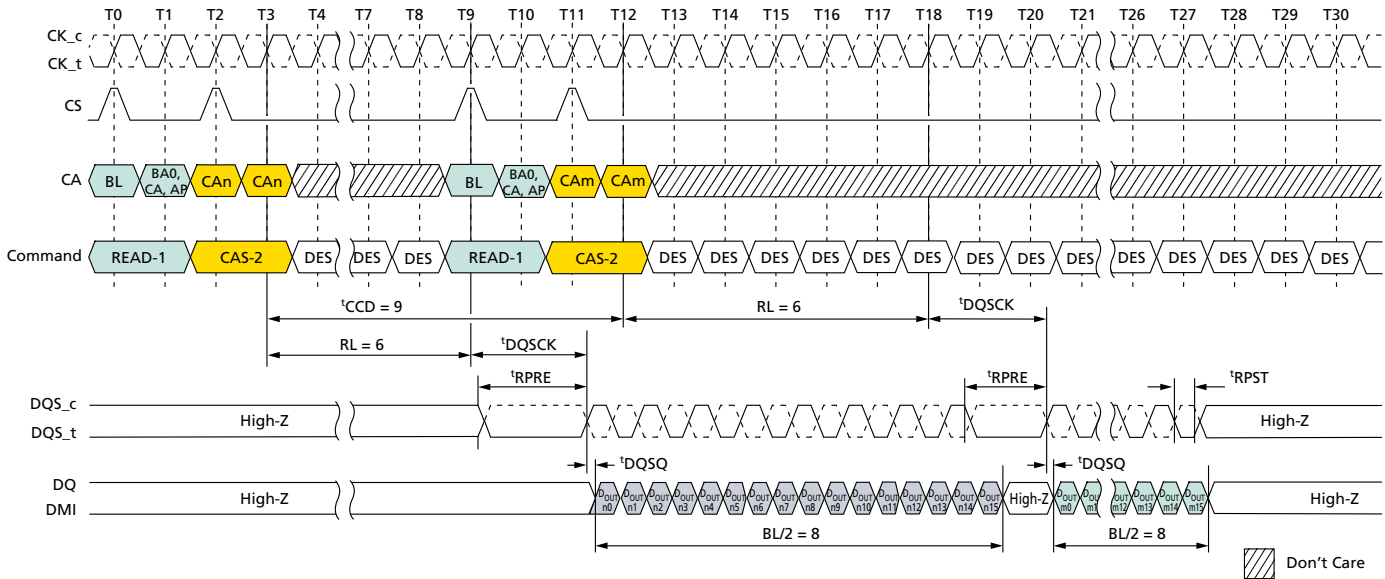
3. DES commands are shown for ease of illustration; other commands may be valid at these times.

**Figure 112: Consecutive READ:  $t_{CCD} = MIN + 1$ , Preamble = Static,  $1.5nCK$  Postamble**



- Notes:
1. BL = 16 for column  $n$  and column  $m$ ; RL = 6; Preamble = Static; Postamble =  $1.5nCK$ .
  2.  $D_{OUT\ n/m}$  = data-out from column  $n$  and column  $m$ .
  3. DES commands are shown for ease of illustration; other commands may be valid at these times.

**Figure 113: Consecutive READ:  $t_{CCD} = MIN + 1$ , Preamble = Static,  $0.5nCK$  Postamble**



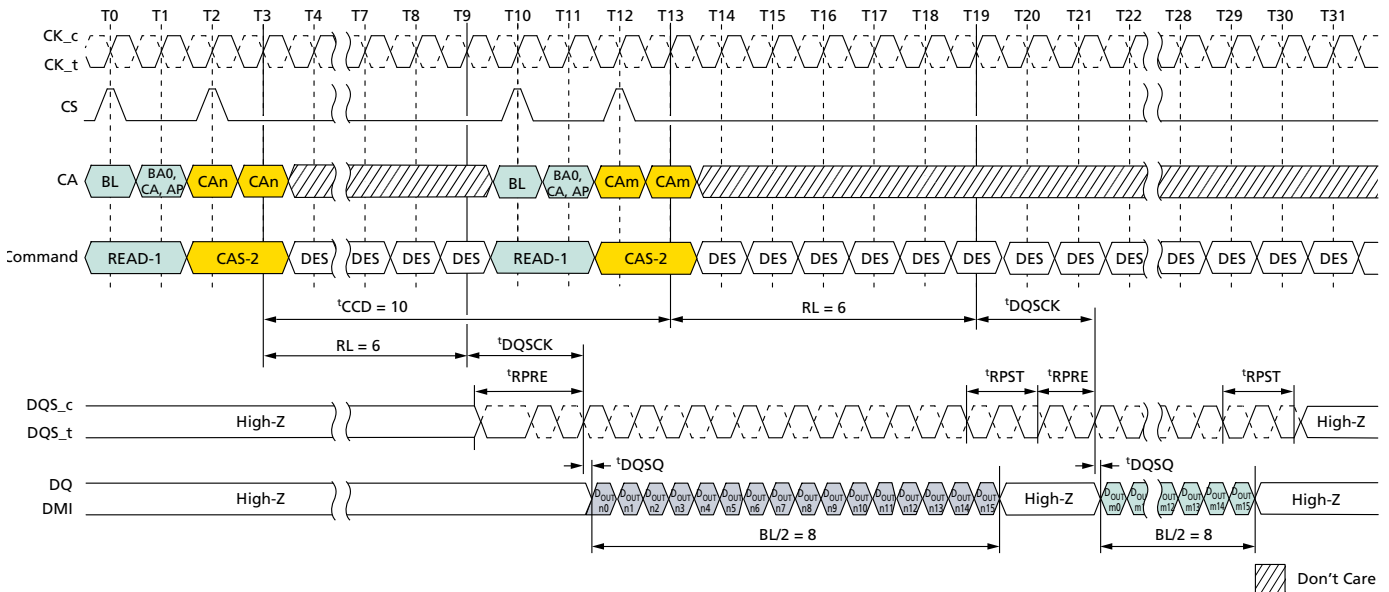
- Notes:
1. BL = 16 for column  $n$  and column  $m$ ; RL = 6; Preamble = Static; Postamble =  $0.5nCK$ .



# 149-Ball NAND Flash with LPDDR4/LPDDR4X MCP Preamble and Postamble Behavior

2.  $D_{OUT\ n/m}$  = data-out from column  $n$  and column  $m$ .
3. DES commands are shown for ease of illustration; other commands may be valid at these times.

**Figure 114: Consecutive READ:  $t_{CCD} = MIN + 2$ , Preamble = Toggle,  $1.5nCK$  Postamble**



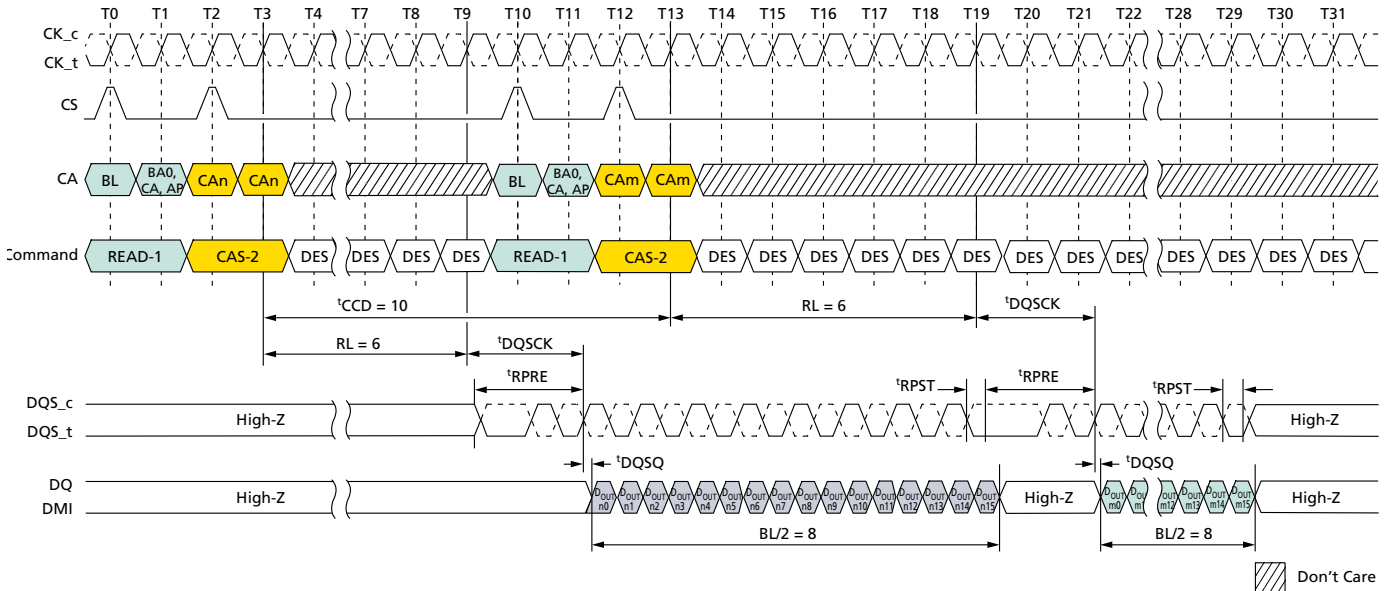
- Notes:
1.  $BL = 16$  for column  $n$  and column  $m$ ;  $RL = 6$ ; Preamble = Toggle; Postamble =  $1.5nCK$ .
  2.  $D_{OUT\ n/m}$  = data-out from column  $n$  and column  $m$ .
  3. DES commands are shown for ease of illustration; other commands may be valid at these times.





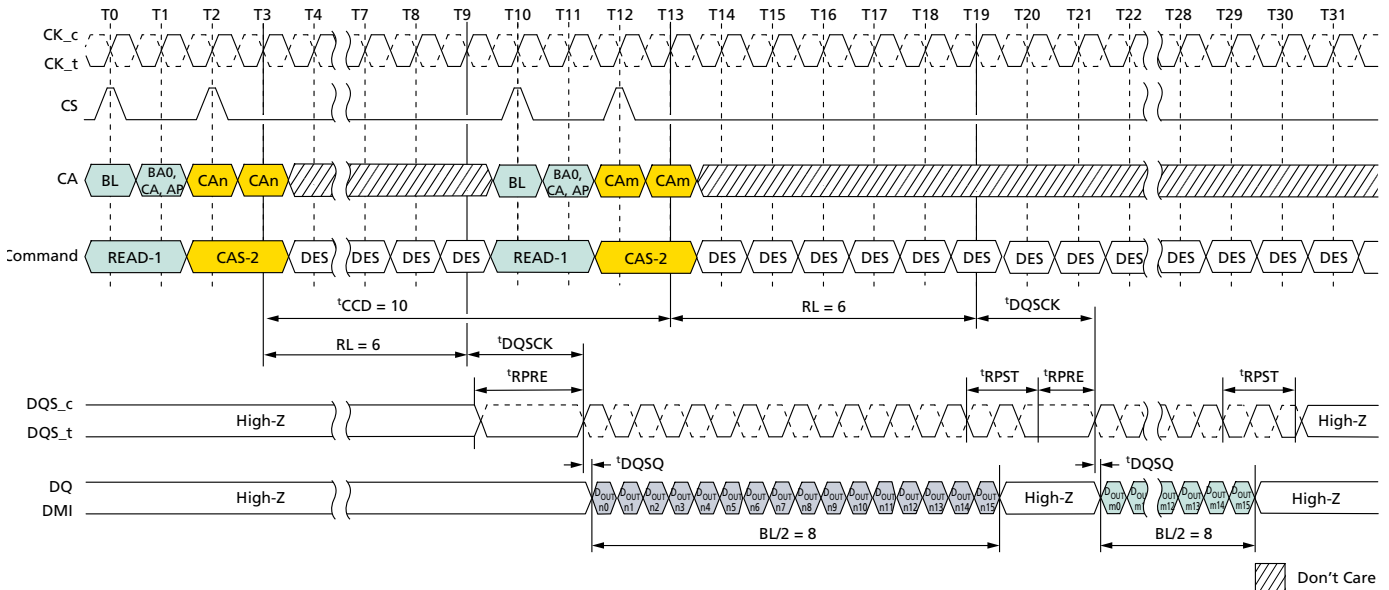
# 149-Ball NAND Flash with LPDDR4/LPDDR4X MCP Preamble and Postamble Behavior

**Figure 115: Consecutive READ:  $t_{CCD} = MIN + 2$ , Preamble = Toggle,  $0.5nCK$  Postamble**



- Notes:
1. BL = 16 for column  $n$  and column  $m$ ; RL = 6; Preamble = Toggle; Postamble =  $0.5nCK$ .
  2.  $D_{OUT\ n/m}$  = data-out from column  $n$  and column  $m$ .
  3. DES commands are shown for ease of illustration; other commands may be valid at these times.

**Figure 116: Consecutive READ:  $t_{CCD} = MIN + 2$ , Preamble = Static,  $1.5nCK$  Postamble**



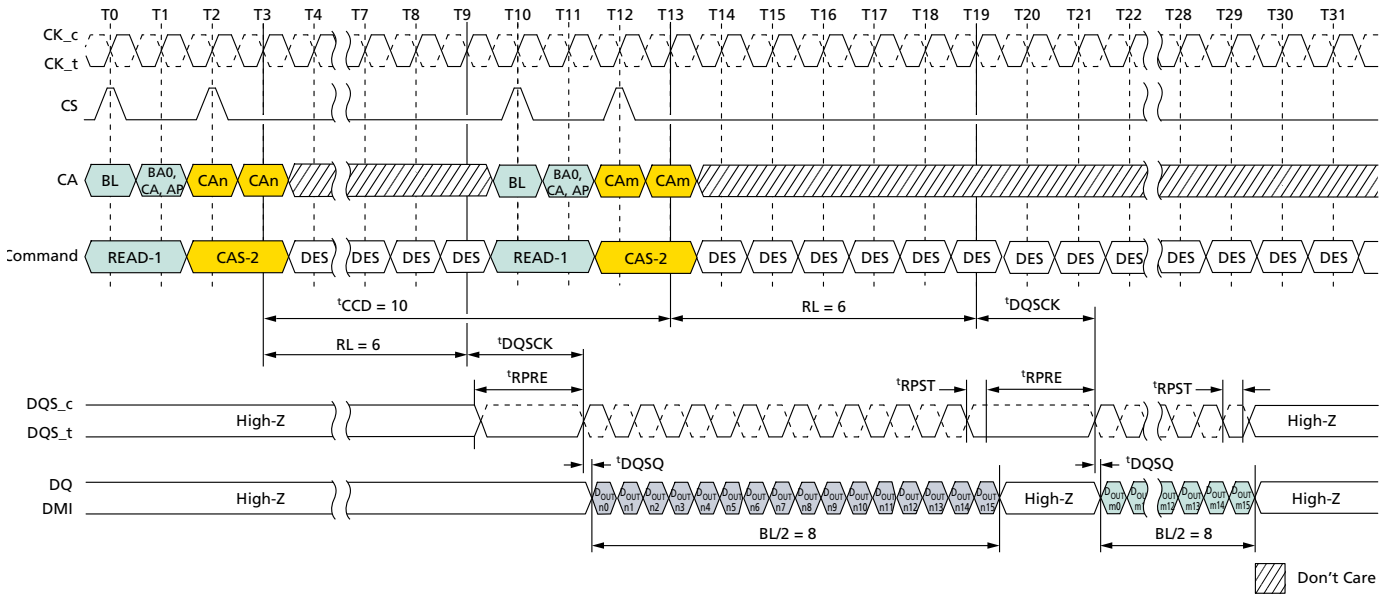
- Notes:
1. BL = 16 for column  $n$  and column  $m$ ; RL = 6; Preamble = Static; Postamble =  $1.5nCK$ .
  2.  $D_{OUT\ n/m}$  = data-out from column  $n$  and column  $m$ .



# 149-Ball NAND Flash with LPDDR4/LPDDR4X MCP Preamble and Postamble Behavior

- DES commands are shown for ease of illustration; other commands may be valid at these times.

**Figure 117: Consecutive READ:  $t_{CCD} = \text{MIN} + 2$ , Preamble = Static,  $0.5n\text{CK}$  Postamble**

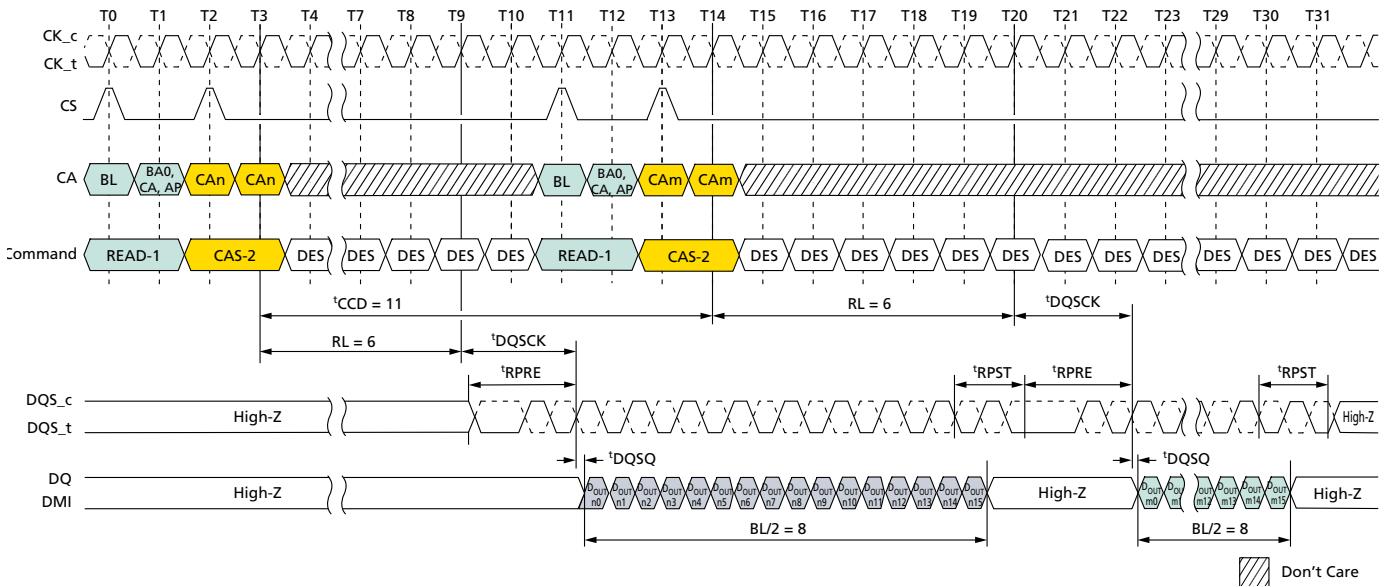


- Notes:
- BL = 16 for column  $n$  and column  $m$ ; RL = 6; Preamble = Static; Postamble =  $0.5n\text{CK}$ .
  - $D_{OUT} n/m$  = data-out from column  $n$  and column  $m$ .
  - DES commands are shown for ease of illustration; other commands may be valid at these times.



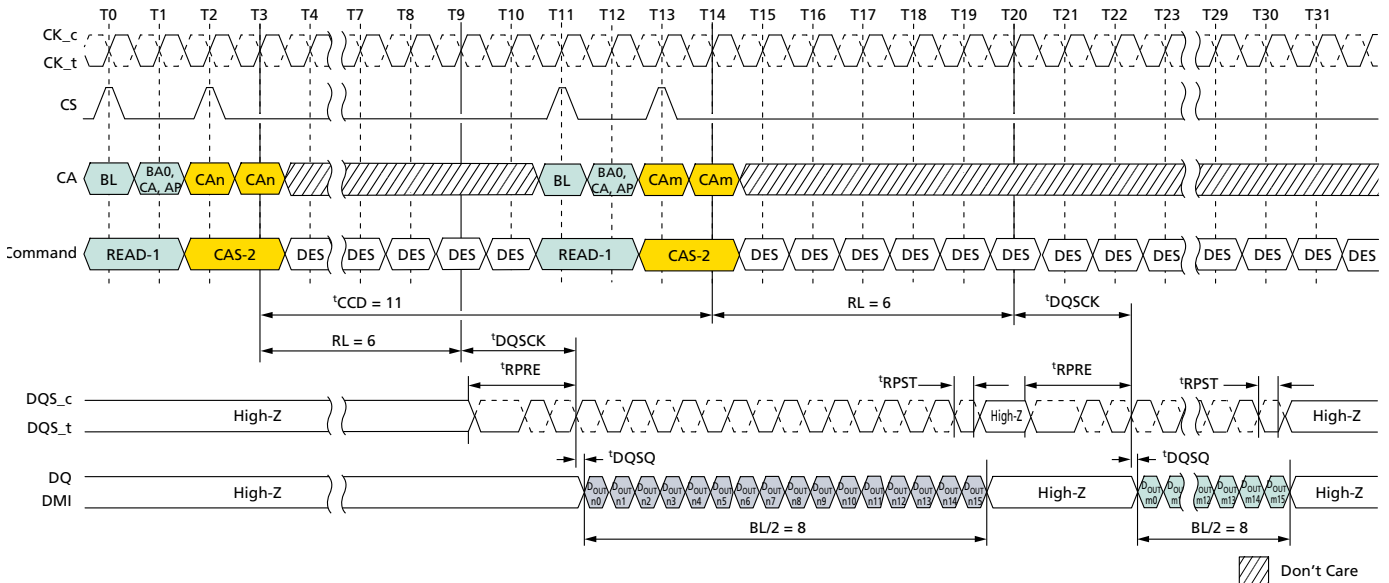
# 149-Ball NAND Flash with LPDDR4/LPDDR4X MCP Preamble and Postamble Behavior

**Figure 118: Consecutive READ:  $t_{CCD} = \text{MIN} + 3$ , Preamble = Toggle, 1.5nCK Postamble**



- Notes:
1. BL = 16 for column  $n$  and column  $m$ ; RL = 6; Preamble = Toggle; Postamble = 1.5nCK.
  2.  $D_{OUT\ n/m}$  = data-out from column  $n$  and column  $m$ .
  3. DES commands are shown for ease of illustration; other commands may be valid at these times.

**Figure 119: Consecutive READ:  $t_{CCD} = \text{MIN} + 3$ , Preamble = Toggle, 0.5nCK Postamble**

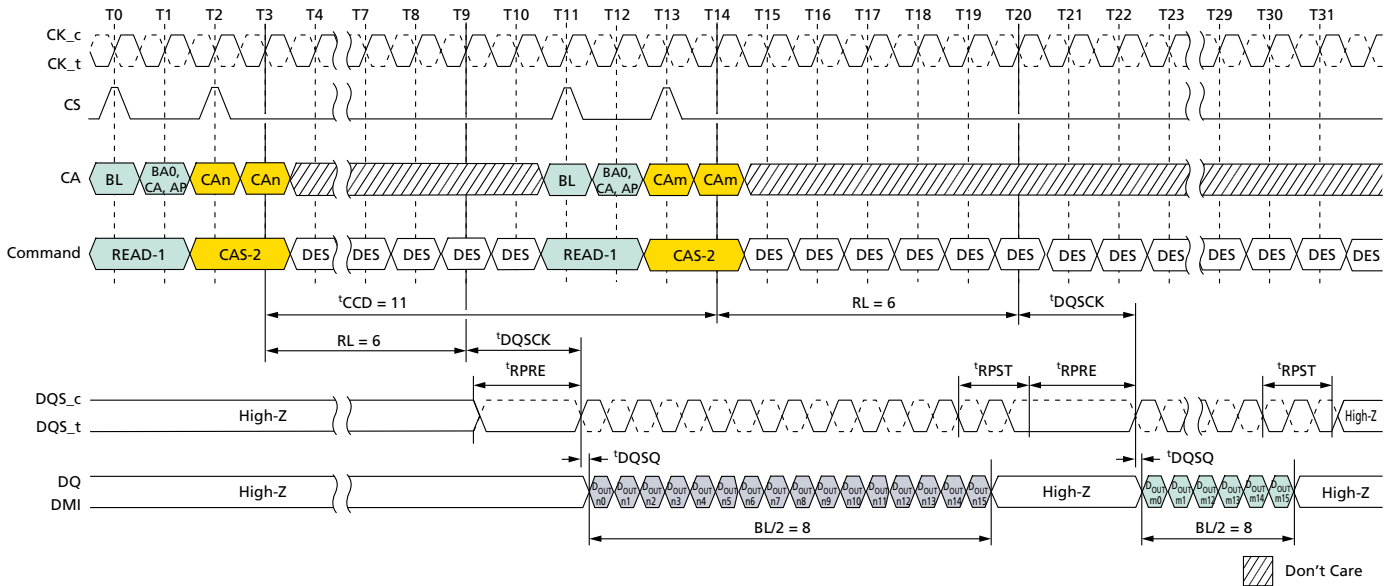


- Notes:
1. BL = 16 for column  $n$  and column  $m$ ; RL = 6; Preamble = Toggle; Postamble = 0.5nCK.
  2.  $D_{OUT\ n/m}$  = data-out from column  $n$  and column  $m$ .
  3. DES commands are shown for ease of illustration; other commands may be valid at these times.



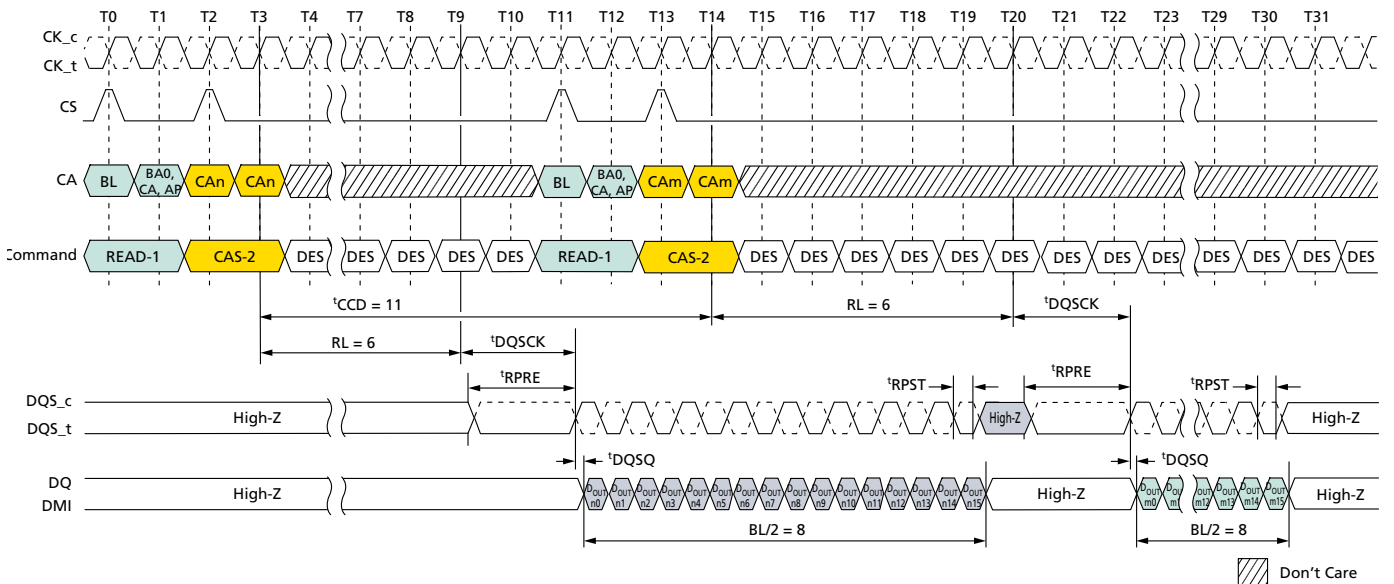
# 149-Ball NAND Flash with LPDDR4/LPDDR4X MCP Preamble and Postamble Behavior

**Figure 120: Consecutive READ:  $t_{CCD} = MIN + 3$ , Preamble = Static, 1.5nCK Postamble**



- Notes:
1. BL = 16 for column  $n$  and column  $m$ ;  $RL = 6$ ; Preamble = Static; Postamble =  $1.5nCK$ .
  2.  $D_{OUT\ n/m}$  = data-out from column  $n$  and column  $m$ .
  3. DES commands are shown for ease of illustration; other commands may be valid at these times.

**Figure 121: Consecutive READ:  $t_{CCD} = MIN + 3$ , Preamble = Static, 0.5nCK Postamble**



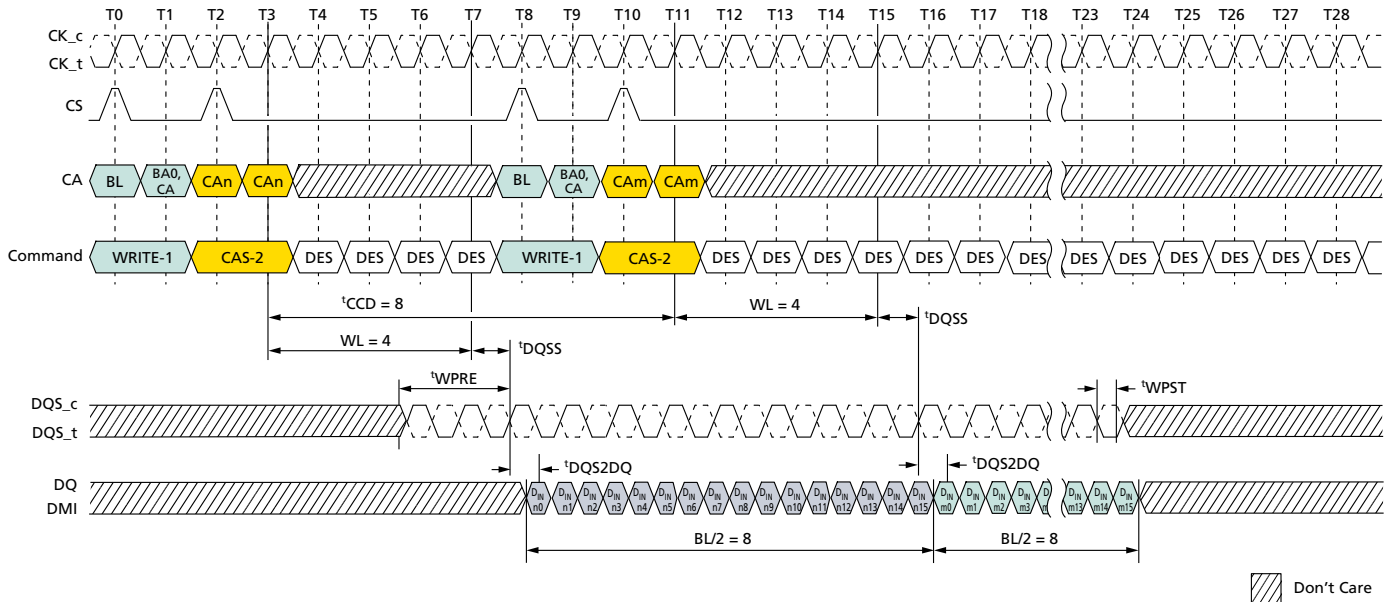
- Notes:
1. BL = 16 for column  $n$  and column  $m$ ;  $RL = 6$ , Preamble = Static; Postamble =  $0.5nCK$
  2.  $D_{OUT\ n/m}$  = data-out from column  $n$  and column  $m$ .
  3. DES commands are shown for ease of illustration; other commands may be valid at these times.



# 149-Ball NAND Flash with LPDDR4/LPDDR4X MCP Preamble and Postamble Behavior

## WRITE-to-WRITE Operations – Seamless

Figure 122: Seamless WRITE:  $t_{CCD} = \text{MIN}, 0.5n\text{CK}$  Postamble

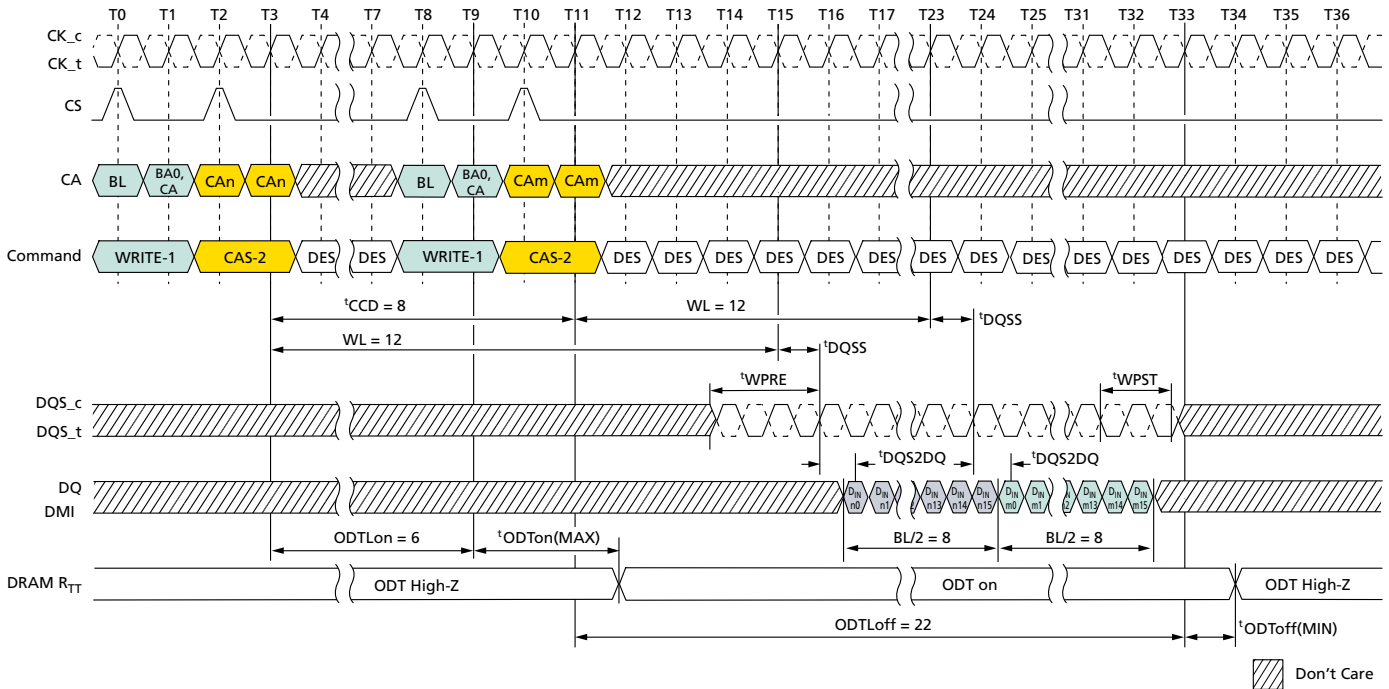


- Notes:
1. BL = 16, Write postamble =  $0.5n\text{CK}$ .
  2. D<sub>IN</sub> n/m = data-in from column n and column m.
  3. The minimum number of clock cycles from the burst WRITE command to the burst WRITE command for any bank is BL/2.
  4. DES commands are shown for ease of illustration; other commands may be valid at these times.



# 149-Ball NAND Flash with LPDDR4/LPDDR4X MCP Preamble and Postamble Behavior

**Figure 123: Seamless WRITE:  $t_{CCD} = \text{MIN}$ ,  $1.5n\text{CK}$  Postamble,  $533 \text{ MHz} < \text{Clock Frequency} \leq 800 \text{ MHz}$ , ODT Worst Timing Case**

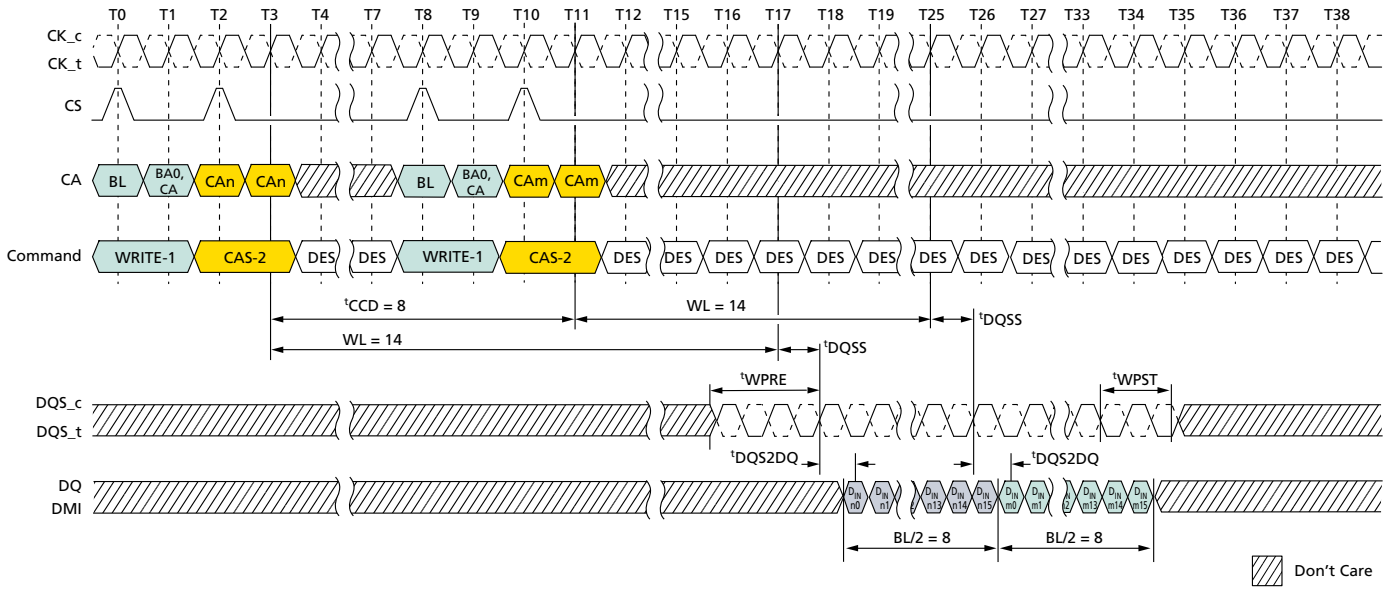


- Notes:
1. Clock frequency = 800 MHz,  $t_{CK(AVG)} = 1.25\text{ns}$ .
  2.  $BL = 16$ , Write postamble =  $1.5n\text{CK}$ .
  3.  $D_{IN} n/m$  = data-in from column  $n$  and column  $m$ .
  4. The minimum number of clock cycles from the burst WRITE command to the burst WRITE command for any bank is  $BL/2$ .
  5. DES commands are shown for ease of illustration; other commands may be valid at these times.



# 149-Ball NAND Flash with LPDDR4/LPDDR4X MCP Preamble and Postamble Behavior

**Figure 124: Seamless WRITE:  $t_{CCD} = \text{MIN}, 1.5n\text{CK}$  Postamble**



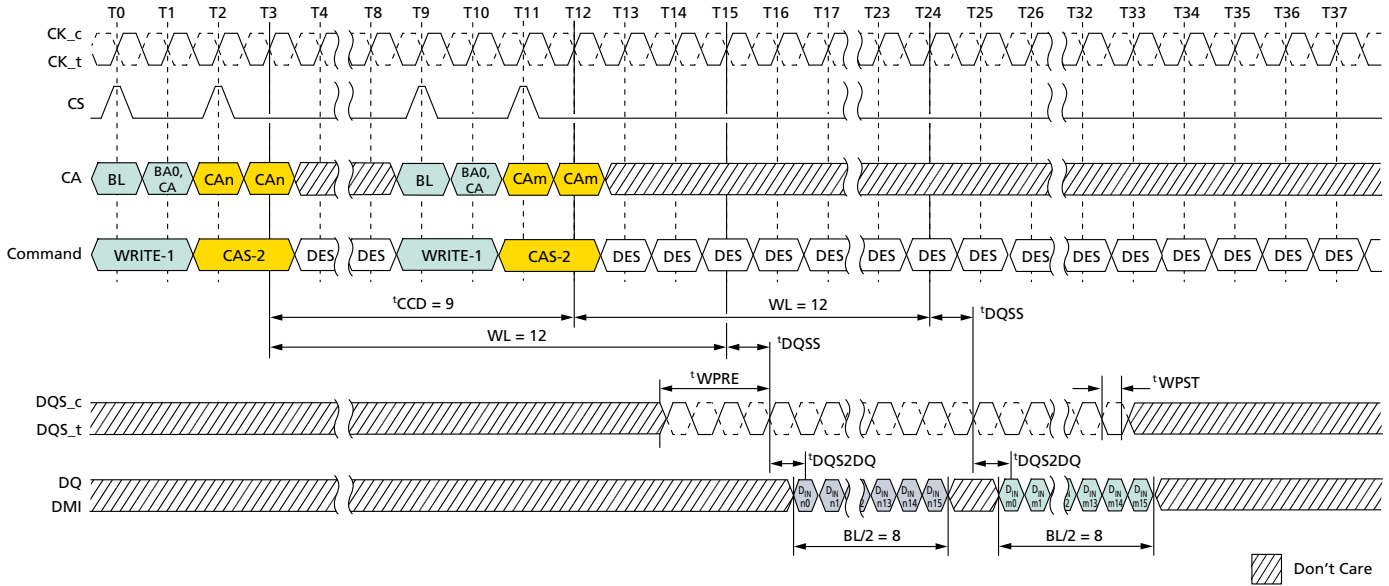
- Notes:
1. BL = 16, Write postamble = 1.5nCK.
  2.  $D_{IN} n/m$  = data-in from column  $n$  and column  $m$ .
  3. The minimum number of clock cycles from the burst WRITE command to the burst WRITE command for any bank is BL/2.
  4. DES commands are shown for ease of illustration; other commands may be valid at these times.



# 149-Ball NAND Flash with LPDDR4/LPDDR4X MCP Preamble and Postamble Behavior

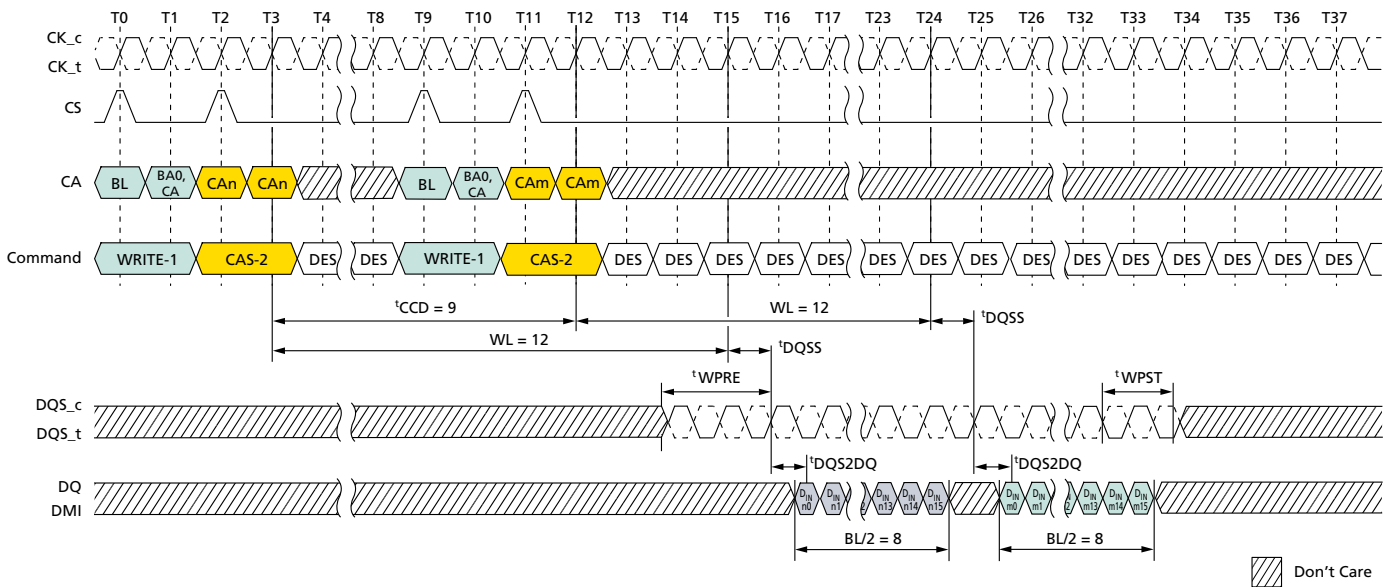
## WRITE-to-WRITE Operations – Consecutive

**Figure 125: Consecutive WRITE:  $t_{CCD} = \text{MIN} + 1, 0.5n\text{CK}$  Postamble**



- Notes:
1. BL = 16, Write postamble =  $0.5n\text{CK}$ .
  2.  $D_{IN} n/m$  = data-in from column  $n$  and column  $m$ .
  3. DES commands are shown for ease of illustration; other commands may be valid at these times.

**Figure 126: Consecutive WRITE:  $t_{CCD} = \text{MIN} + 1, 1.5n\text{CK}$  Postamble**



- Notes:
1. BL = 16, Write postamble =  $1.5n\text{CK}$ .
  2.  $D_{IN} n/m$  = data-in from column  $n$  and column  $m$ .

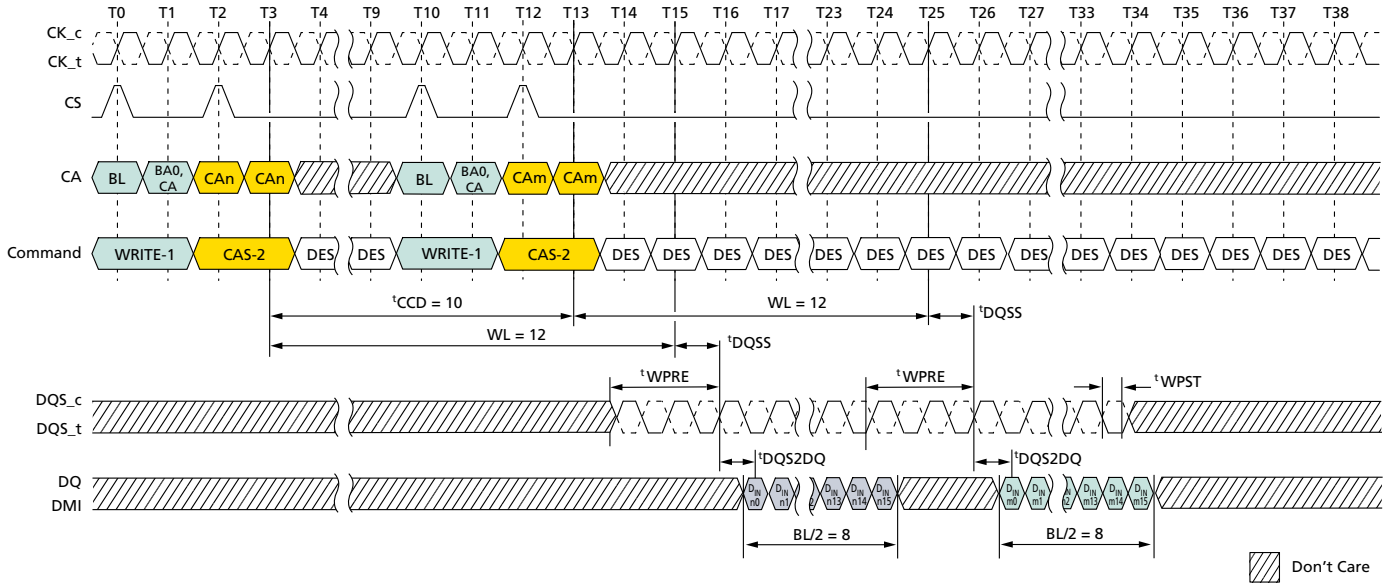




# 149-Ball NAND Flash with LPDDR4/LPDDR4X MCP Preamble and Postamble Behavior

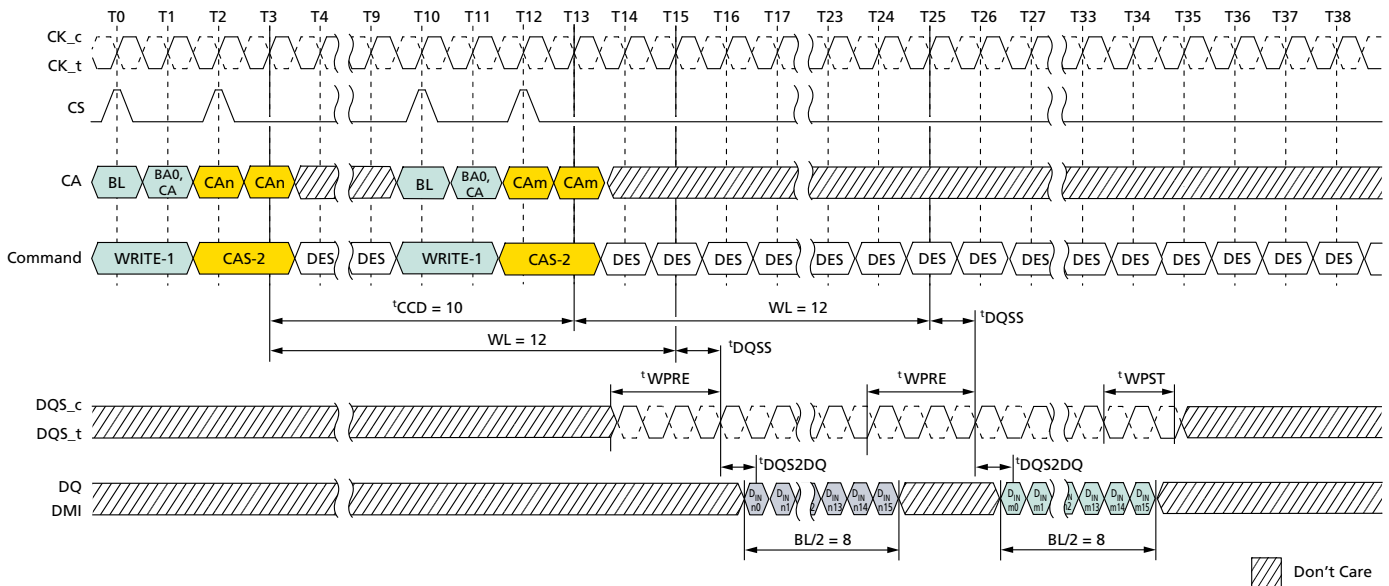
- DES commands are shown for ease of illustration; other commands may be valid at these times.

**Figure 127: Consecutive WRITE:  $t_{CCD} = \text{MIN} + 2, 0.5nCK$  Postamble**



- Notes:
- BL = 16, Write postamble =  $0.5nCK$ .
  - $D_{IN} n/m$  = data-in from column  $n$  and column  $m$ .
  - DES commands are shown for ease of illustration; other commands may be valid at these times.

**Figure 128: Consecutive WRITE:  $t_{CCD} = \text{MIN} + 2, 1.5nCK$  Postamble**



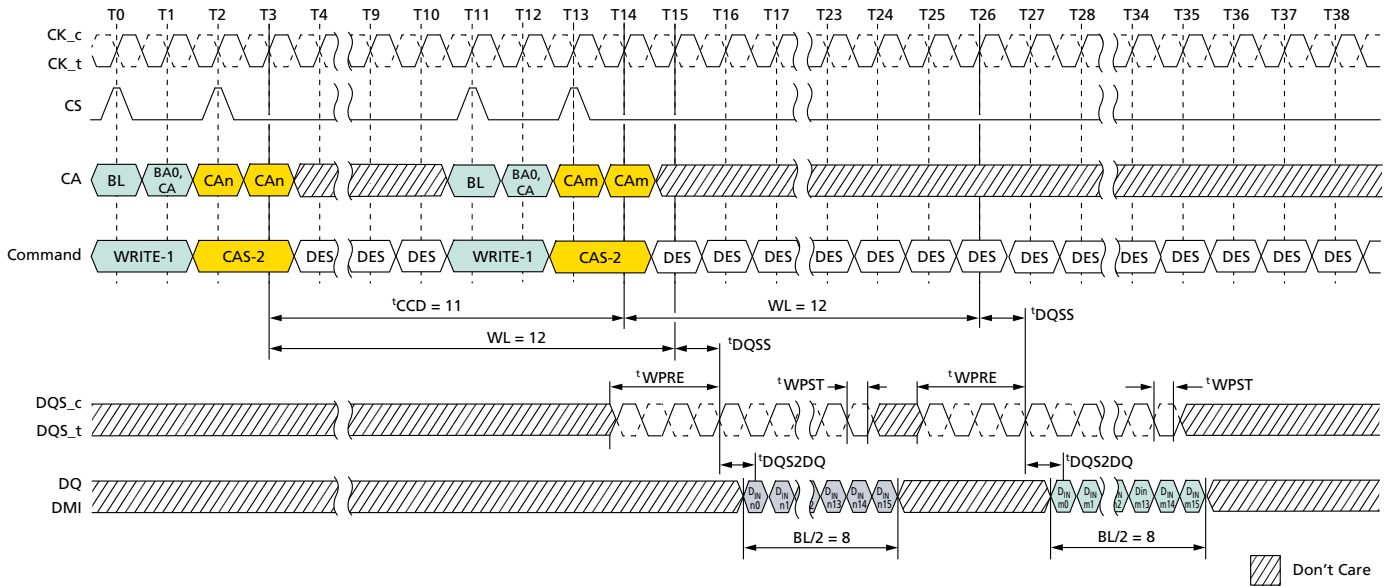
- Notes:
- BL = 16, Write postamble =  $1.5nCK$ .



# 149-Ball NAND Flash with LPDDR4/LPDDR4X MCP Preamble and Postamble Behavior

2.  $D_{IN\ n/m}$  = data-in from column  $n$  and column  $m$ .
3. DES commands are shown for ease of illustration; other commands may be valid at these times.

**Figure 129: Consecutive WRITE:  $t_{CCD} = MIN + 3, 0.5nCK$  Postamble**

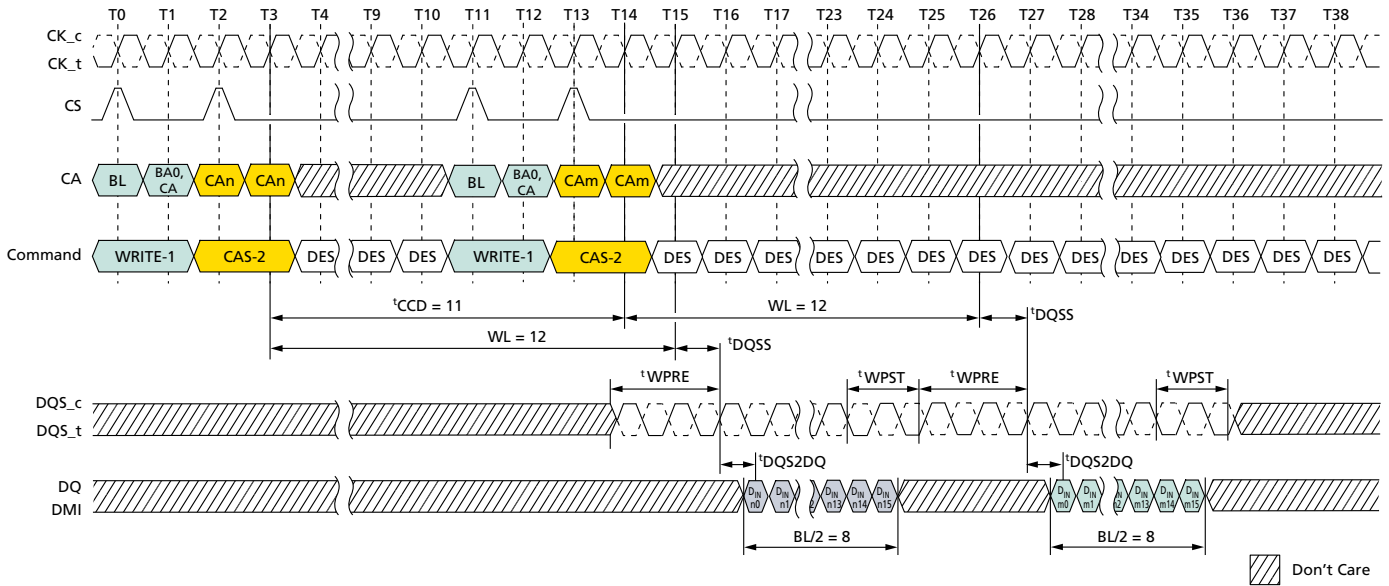


- Notes:
1.  $BL = 16$ , Write postamble =  $0.5nCK$ .
  2.  $D_{IN\ n/m}$  = data-in from column  $n$  and column  $m$ .
  3. DES commands are shown for ease of illustration; other commands may be valid at these times.



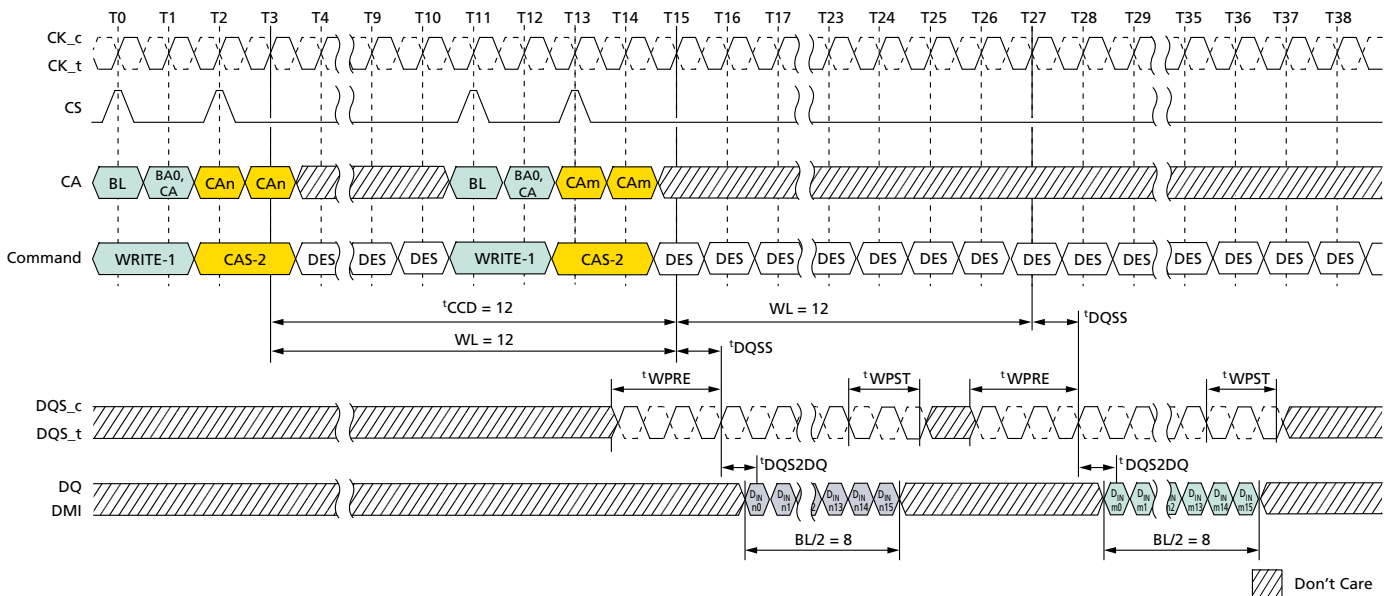
# 149-Ball NAND Flash with LPDDR4/LPDDR4X MCP Preamble and Postamble Behavior

**Figure 130: Consecutive WRITE:  $t_{CCD} = \text{MIN} + 3, 1.5n\text{CK}$  Postamble**



- Notes:
1. BL = 16, Write postamble =  $1.5n\text{CK}$ .
  2.  $D_{IN} n/m$  = data-in from column  $n$  and column  $m$ .
  3. DES commands are shown for ease of illustration; other commands may be valid at these times.

**Figure 131: Consecutive WRITE:  $t_{CCD} = \text{MIN} + 4, 1.5n\text{CK}$  Postamble**



- Notes:
1. BL = 16, Write postamble =  $1.5n\text{CK}$ .
  2.  $D_{IN} n/m$  = data-in from column  $n$  and column  $m$ .
  3. DES commands are shown for ease of illustration; other commands may be valid at these times.



## PRECHARGE Operation

The PRECHARGE command is used to precharge or close a bank that has been activated. The PRECHARGE command is initiated with CKE, CS, and CA[5:0] in the proper state (see Command Truth Table). The PRECHARGE command can be used to precharge each bank independently or all banks simultaneously. The all banks (AB) flag and the bank address bit are used to determine which bank(s) to precharge. The precharged bank(s) will be available for subsequent row access  $t_{RPab}$  after an all-bank PRECHARGE command is issued, or  $t_{RPpb}$  after a single-bank PRECHARGE command is issued.

To ensure that the device can meet the instantaneous current demands, the row precharge time for an all-bank PRECHARGE ( $t_{RPab}$ ) is longer than the per-bank precharge time ( $t_{RPpb}$ ).

**Table 140: Precharge Bank Selection**

AB (CA[5], R1)	BA2 (CA[2], R2)	BA1 (CA[1], R2)	BA0 (CA[0], R2)	Precharged Bank
0	0	0	0	Bank 0 only
0	0	0	1	Bank 1 only
0	0	1	0	Bank 2 only
0	0	1	1	Bank 3 only
0	1	0	0	Bank 4 only
0	1	0	1	Bank 5 only
0	1	1	0	Bank 6 only
0	1	1	1	Bank 7 only
1	Don't Care	Don't Care	Don't Care	All banks

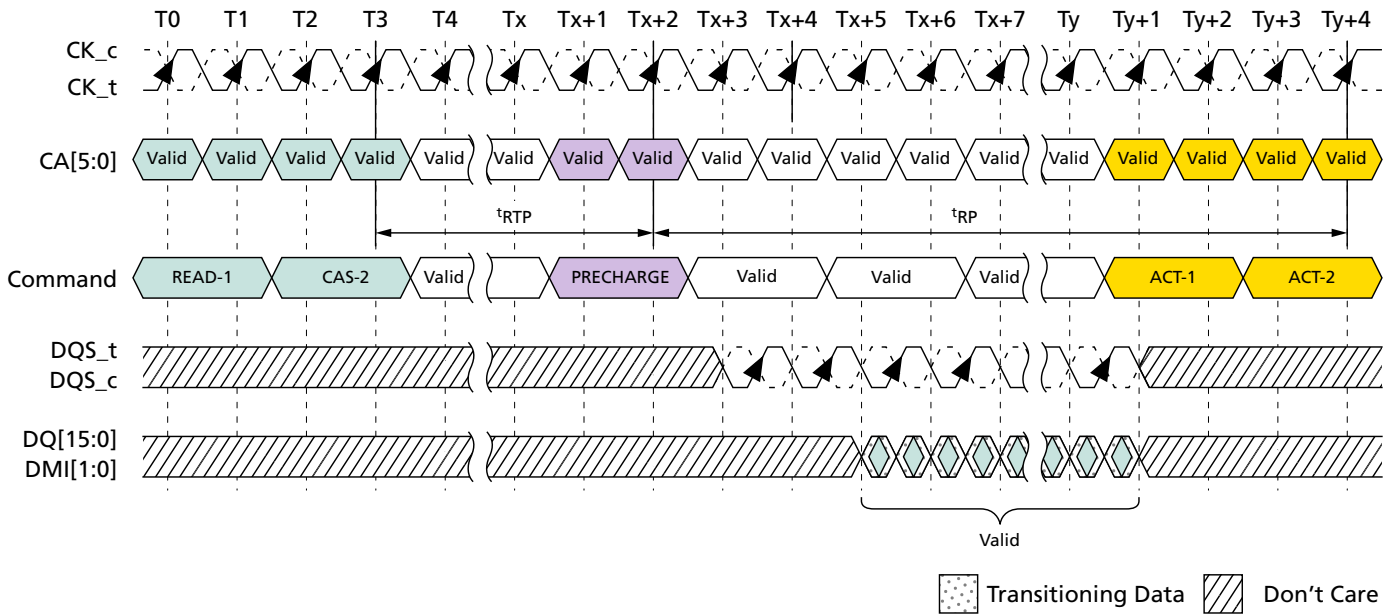
## Burst READ Operation Followed by Precharge

The PRECHARGE command can be issued as early as BL/2 clock cycles after a READ command, but the PRECHARGE command cannot be issued until after  $t_{RAS}$  is satisfied. A new bank ACTIVATE command can be issued to the same bank after the row precharge time ( $t_{RP}$ ) has elapsed. The minimum read-to-precharge time must also satisfy a minimum analog time from the second rising clock edge of the CAS-2 command.  $t_{RTP}$  begins BL/2 - 8 clock cycles after the READ command.

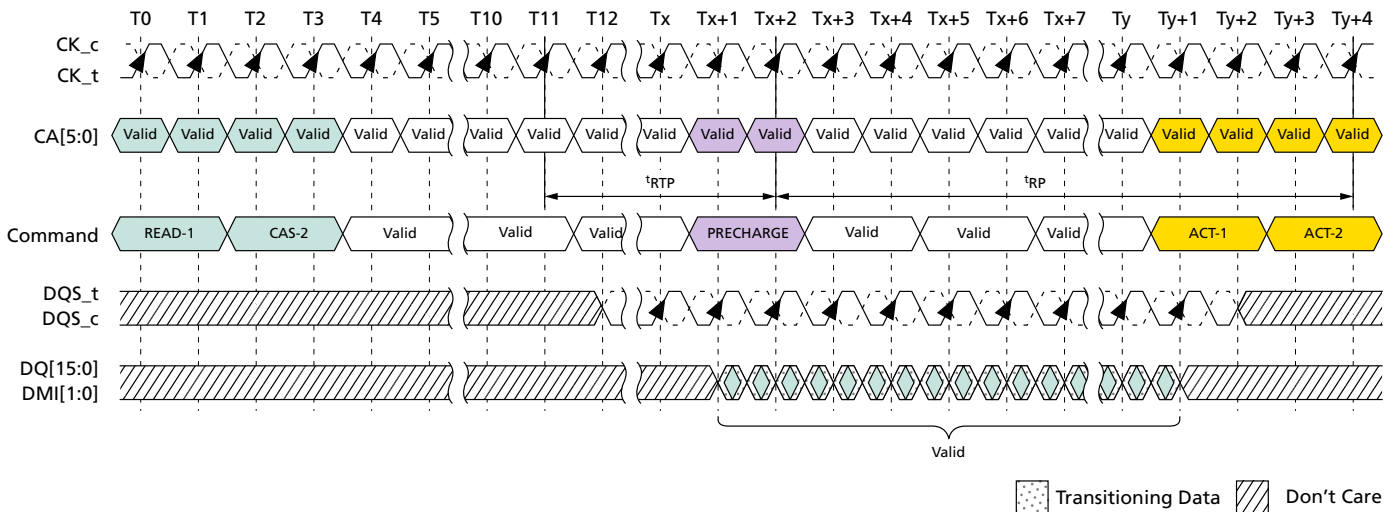


# 149-Ball NAND Flash with LPDDR4/LPDDR4X MCP PRECHARGE Operation

**Figure 132: Burst READ Followed by Precharge – BL16, Toggling Preamble, 0.5nCK Postamble**



**Figure 133: Burst READ Followed by Precharge – BL32, 2<sup>t</sup>CK, 0.5nCK Postamble**



## Burst WRITE Followed by Precharge

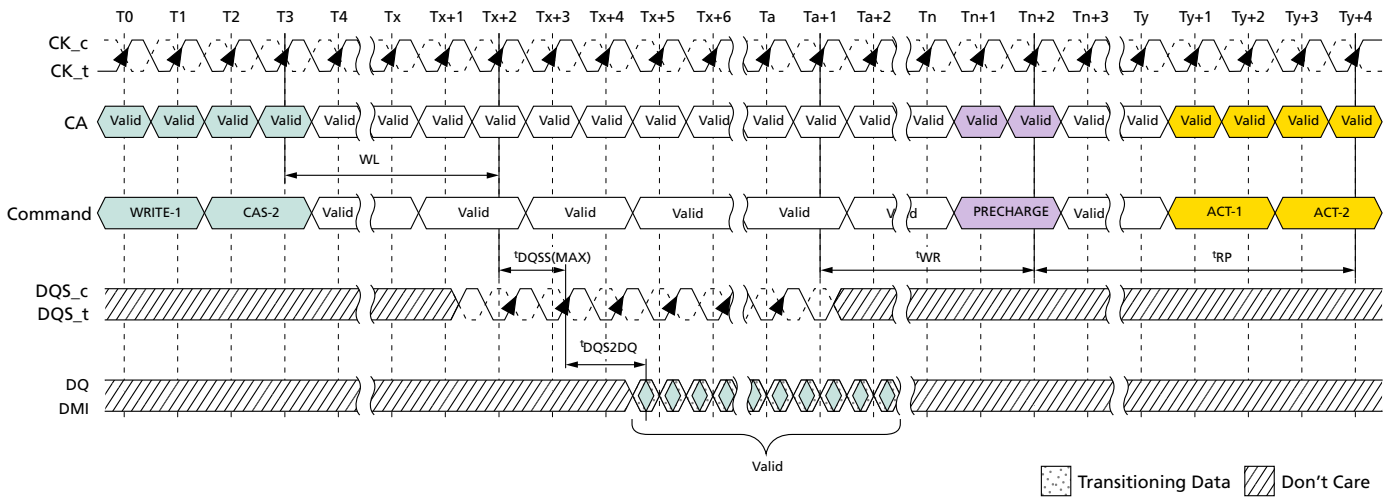
A write recovery time ( $t^w_{WR}$ ) must be provided before a PRECHARGE command may be issued. This delay is referenced from the next rising edge of CK after the last valid DQS clock of the burst.

Devices write data to the memory array in prefetch multiples (prefetch = 16). An internal WRITE operation can only begin after a prefetch group has been clocked; therefore,  $t^w_{WR}$  starts at the prefetch boundaries. The minimum write-to-precharge time for commands to the same bank is  $WL + BL/2 + 1 + RU(t^w_{WR} / ^tCK)$  clock cycles.



# 149-Ball NAND Flash with LPDDR4/LPDDR4X MCP Auto Precharge

**Figure 134: Burst WRITE Followed by PRECHARGE – BL16, 2nCK Preamble, 0.5nCK Postamble**



## Auto Precharge

Before a new row can be opened in an active bank, the active bank must be precharged using either the PRECHARGE command or the auto precharge (AP) function. When a READ or a WRITE command is issued to the device, the AP bit (CA5) can be set to enable the active bank to automatically begin precharge at the earliest possible moment during the burst READ or WRITE cycle.

If AP is LOW when the READ or WRITE command is issued, the normal READ or WRITE burst operation is executed, and the bank remains active at the completion of the burst.

If AP is HIGH when the READ or WRITE command is issued, the auto PRECHARGE function is engaged. This feature enables the PRECHARGE operation to be partially or completely hidden during burst READ cycles (dependent upon READ or WRITE latency), thus improving system performance for random data access.

## Burst READ With Auto Precharge

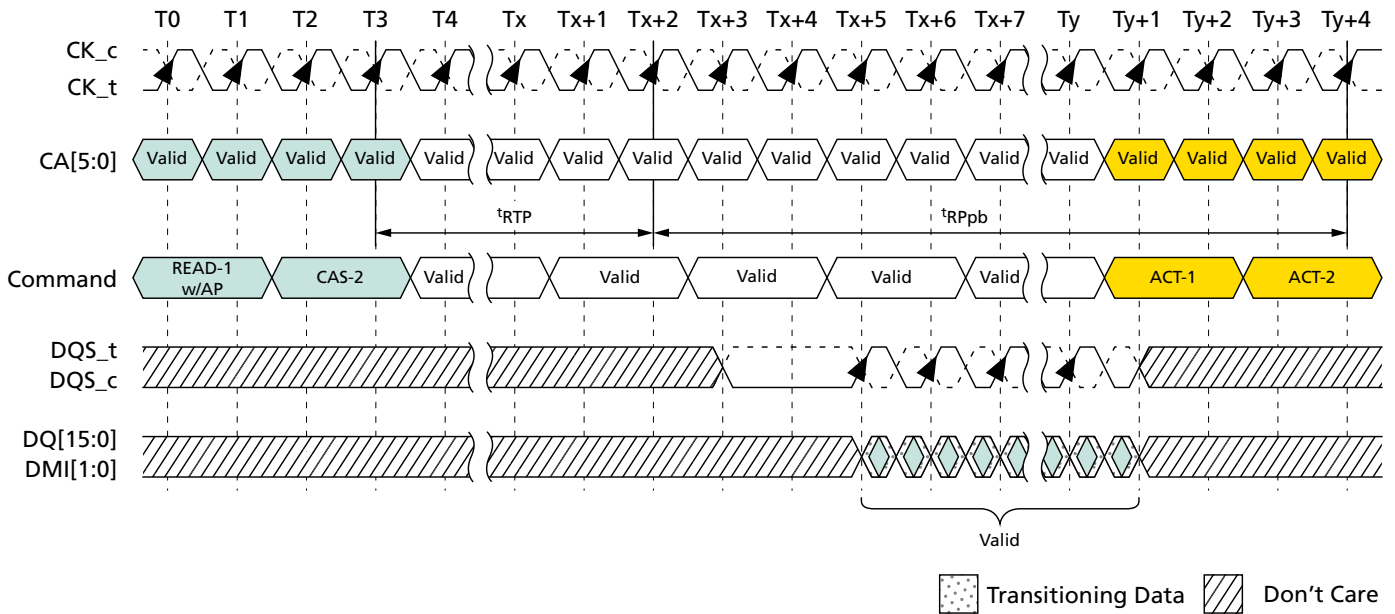
If AP is HIGH when a READ command is issued, the READ with AUTO PRECHARGE function is engaged. The devices start an AUTO PRECHARGE operation on the rising edge of the clock at BL/2 after the second beat of the READ w/AP command, or BL/4 - 4 + RU(<sup>t</sup>RTP/<sup>t</sup>CK) clock cycles after the second beat of the READ w/AP command, whichever is greater. Following an AUTO PRECHARGE operation, an ACTIVATE command can be issued to the same bank if the following two conditions are both satisfied:

1. The RAS precharge time (<sup>t</sup>RP) has been satisfied from the clock at which the auto precharge began, and
2. The RAS cycle time (<sup>t</sup>RC) from the previous bank activation has been satisfied.

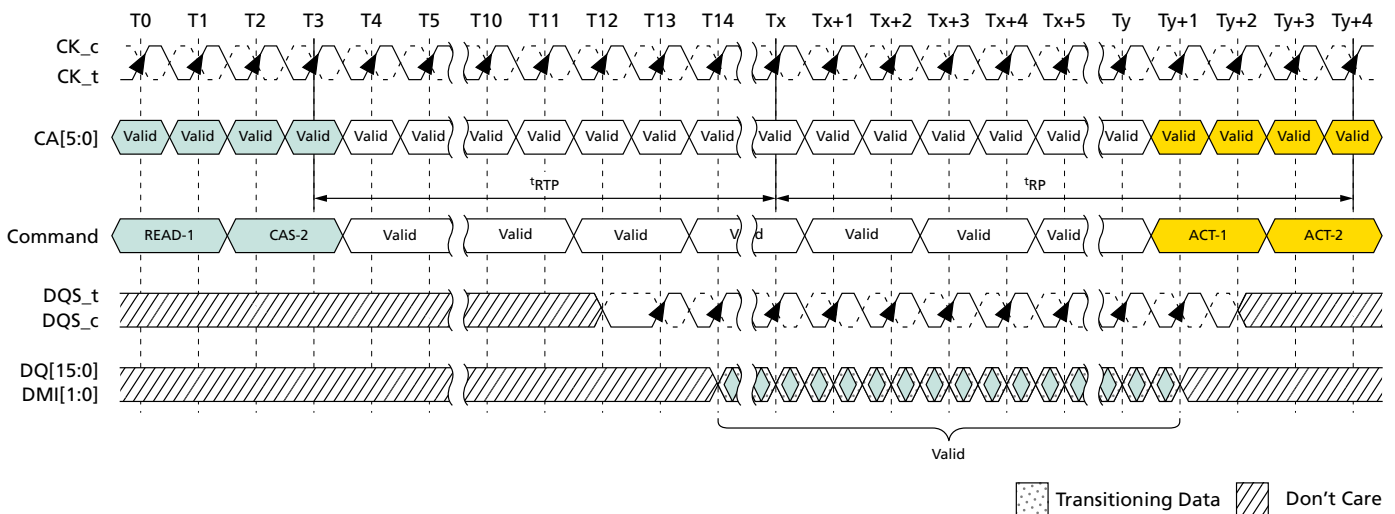


# 149-Ball NAND Flash with LPDDR4/LPDDR4X MCP Auto Precharge

**Figure 135: Burst READ With Auto Precharge – BL16, Non-Toggling Preamble, 0.5nCK Postamble**



**Figure 136: Burst READ With Auto Precharge – BL32, Toggling Preamble, 1.5nCK Postamble**



## Burst WRITE With Auto Precharge

If AP is HIGH when a WRITE command is issued, the WRITE with AUTO PRECHARGE function is engaged. The device starts an auto precharge on the rising edge  $t_{WR}$  cycles after the completion of the burst WRITE.

Following a WRITE with AUTO PRECHARGE, an ACTIVATE command can be issued to the same bank if the following conditions are met:

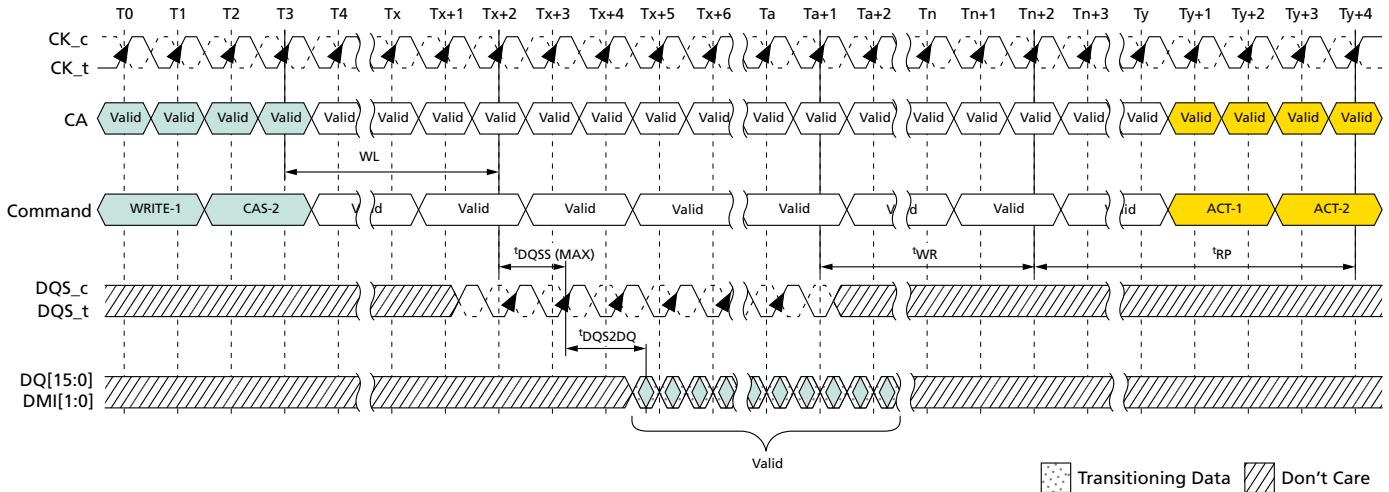
1. The RAS precharge time ( $t_{RP}$ ) has been satisfied from the clock at which the auto precharge began, and



# 149-Ball NAND Flash with LPDDR4/LPDDR4X MCP Auto Precharge

2. The RAS cycle time ( $t^{RC}$ ) from the previous bank activation has been satisfied.

**Figure 137: Burst WRITE With Auto Precharge – BL16, 2nCK Preamble, 0.5nCK Postamble**



**Table 141: Timing Between Commands (PRECHARGE and AUTO PRECHARGE): DQ ODT is Disable**

From Command	To Command	Minimum Delay Between "From Command" and "To Command"	Unit	Notes
READ BL = 16	PRECHARGE (to same bank as READ)	$t^{RTP}$	$t^{CK}$	1, 6
	PRECHARGE ALL	$t^{RTP}$	$t^{CK}$	1, 6
READ BL = 32	PRECHARGE (to same bank as READ)	$8t^{CK} + t^{RTP}$	$t^{CK}$	1, 6
	PRECHARGE ALL	$8t^{CK} + t^{RTP}$	$t^{CK}$	1, 6
READ w/AP BL = 16	PRECHARGE (to same bank as READ w/AP)	$nRTP$	$t^{CK}$	1, 10
	PRECHARGE ALL	$nRTP$	$t^{CK}$	1, 10
	ACTIVATE (to same bank as READ w/AP)	$nRTP + t^{RPpb}$	$t^{CK}$	1, 8, 10
	WRITE or WRITE w/AP (same bank)	Illegal	-	
	MASK-WR or MASK-WR w/AP (same bank)	Illegal	-	
	WRITE or WRITE w/AP (different bank)	$RL + RU(t^{DQSCk(MAX)}/t^{CK}) + BL/2 + RD(t^{RPST}) - WL + t^{WPRE}$	$t^{CK}$	3, 4, 5
	MASK-WR or MASK-WR w/AP (different bank)	$RL + RU(t^{DQSCk(MAX)}/t^{CK}) + BL/2 + RD(t^{RPST}) - WL + t^{WPRE}$	$t^{CK}$	3, 4, 5
	READ or READ w/AP (same bank)	Illegal	-	
	READ or READ w/AP (different bank)	$BL/2$	$t^{CK}$	3





## 149-Ball NAND Flash with LPDDR4/LPDDR4X MCP Auto Precharge

**Table 141: Timing Between Commands (PRECHARGE and AUTO PRECHARGE): DQ ODT is Disable  
(Continued)**

From Command	To Command	Minimum Delay Between "From Command" and "To Command"	Unit	Notes
READ w/AP BL = 32	PRECHARGE (to same bank as READ w/AP)	$8^t\text{CK} + n\text{RTP}$	$^t\text{CK}$	1, 10
	PRECHARGE ALL	$8^t\text{CK} + n\text{RTP}$	$^t\text{CK}$	1, 10
	ACTIVATE (to same bank as READ w/AP)	$8^t\text{CK} + n\text{RTP} + ^t\text{RPpb}$	$^t\text{CK}$	1, 8, 10
	WRITE or WRITE w/AP (same bank)	Illegal	–	
	MASK-WR or MASK-WR w/AP (same bank)	Illegal	–	
	WRITE or WRITE w/AP (different bank)	$\text{RL} + \text{RU}(^t\text{DQSCK}(\text{MAX})/^t\text{CK}) + \text{BL}/2 + \text{RD}(^t\text{RPST}) - \text{WL} + ^t\text{WPRE}$	$^t\text{CK}$	3, 4, 5
	MASK-WR or MASK-WR w/AP (different bank)	$\text{RL} + \text{RU}(^t\text{DQSCK}(\text{MAX})/^t\text{CK}) + \text{BL}/2 + \text{RD}(^t\text{RPST}) - \text{WL} + ^t\text{WPRE}$	$^t\text{CK}$	3, 4, 5
	READ or READ w/AP (same bank)	Illegal	–	
	READ or READ w/AP (different bank)	$\text{BL}/2$	$^t\text{CK}$	3
WRITE BL = 16 and 32	PRECHARGE (to same bank as WRITE)	$\text{WL} + \text{BL}/2 + ^t\text{WR} + 1$	$^t\text{CK}$	1, 7
	PRECHARGE ALL	$\text{WL} + \text{BL}/2 + ^t\text{WR} + 1$	$^t\text{CK}$	1, 7
MASK-WR BL = 16	PRECHARGE (to same bank as MASK-WR)	$\text{WL} + \text{BL}/2 + ^t\text{WR} + 1$	$^t\text{CK}$	1, 7
	PRECHARGE ALL	$\text{WL} + \text{BL}/2 + ^t\text{WR} + 1$	$^t\text{CK}$	1, 7
WRITE w/AP BL = 16 and 32	PRECHARGE (to same bank as WRITE w/AP)	$\text{WL} + \text{BL}/2 + n\text{WR} + 1$	$^t\text{CK}$	1, 11
	PRECHARGE ALL	$\text{WL} + \text{BL}/2 + n\text{WR} + 1$	$^t\text{CK}$	1, 11
	ACTIVATE (to same bank as WRITE w/AP)	$\text{WL} + \text{BL}/2 + n\text{WR} + 1 + ^t\text{RPpb}$	$^t\text{CK}$	1, 8, 11
	WRITE or WRITE w/AP (same bank)	Illegal	–	
	READ or READ w/AP (same bank)	Illegal	–	
	WRITE or WRITE w/AP (different bank)	$\text{BL}/2$	$^t\text{CK}$	3
	MASK-WR or MASK-WR w/AP (different bank)	$\text{BL}/2$	$^t\text{CK}$	3
	READ or READ w/AP (different bank)	$\text{WL} + \text{BL}/2 + ^t\text{WTR} + 1$	$^t\text{CK}$	3, 9


**Table 141: Timing Between Commands (PRECHARGE and AUTO PRECHARGE): DQ ODT is Disable  
(Continued)**

From Command	To Command	Minimum Delay Between "From Command" and "To Command"	Unit	Notes
MASK-WR w/AP BL = 16	PRECHARGE (to same bank as MASK-WR w/AP)	$WL + BL/2 + nWR + 1$	$t_{CK}$	1, 11
	PRECHARGE ALL	$WL + BL/2 + nWR + 1$	$t_{CK}$	1, 11
	ACTIVATE (to same bank as MASK-WR w/AP)	$WL + BL/2 + nWR + 1 + t_{RPpb}$	$t_{CK}$	1, 8, 11
	WRITE or WRITE w/AP (same bank)	Illegal	–	3
	MASK-WR or MASK-WR w/AP (same bank)	Illegal	–	3
	WRITE or WRITE w/AP (different bank)	BL/2	$t_{CK}$	3
	MASK-WR or MASK-WR w/AP (different bank)	BL/2	$t_{CK}$	3
	READ or READ w/AP (same bank)	Illegal	–	3
	READ or READ w/AP (different bank)	$WL + BL/2 + t_{WTR} + 1$	$t_{CK}$	3, 9
PRECHARGE	PRECHARGE (to same bank as PRECHARGE)	4	$t_{CK}$	1
	PRECHARGE ALL	4	$t_{CK}$	1
PRECHARGE ALL	PRECHARGE	4	$t_{CK}$	1
	PRECHARGE ALL	4	$t_{CK}$	1

- Notes:
- For a given bank, the precharge period should be counted from the latest PRECHARGE command, whether per-bank or all-bank, issued to that bank. The precharge period is satisfied  $t_{RP}$  after that latest PRECHARGE command.
  - Any command issued during the minimum delay time as specified in the table above is illegal.
  - After READ w/AP, seamless READ operations to different banks are supported. After WRITE w/AP or MASK-WR w/AP, seamless WRITE operations to different banks are supported. READ, WRITE, and MASK-WR operations may not be truncated or interrupted.
  - $t_{RPST}$  values depend on MR1 OP[7] respectively.
  - $t_{WPRE}$  values depend on MR1 OP[2] respectively.
  - Minimum delay between "from command" and "to command" in clock cycle is calculated by dividing  $t_{RTP}$  (in ns) by  $t_{CK}$  (in ns) and rounding up to the next integer: Minimum delay [cycles] =  $\text{roundup}(t_{RTP} [\text{ns}] / t_{CK} [\text{ns}])$ .
  - Minimum delay between "from command" and "to command" in clock cycle is calculated by dividing  $t_{WR}$  (in ns) by  $t_{CK}$  (in ns) and rounding up to the next integer: Minimum delay [cycles] =  $\text{roundup}(t_{WR} [\text{ns}] / t_{CK} [\text{ns}])$ .



## 149-Ball NAND Flash with LPDDR4/LPDDR4X MCP Auto Precharge

8. Minimum delay between "from command" and "to command" in clock cycle is calculated by dividing  $t_{RPpb}$  (in ns) by  $t_{CK}$  (in ns) and rounding up to the next integer: Minimum delay [cycles] =  $\text{roundup}(t_{RPpb} [\text{ns}] / t_{CK} [\text{ns}])$ .
9. Minimum delay between "from command" and "to command" in clock cycle is calculated by dividing  $t_{WTR}$  (in ns) by  $t_{CK}$  (in ns) and rounding up to the next integer: Minimum delay [cycles] =  $\text{roundup}(t_{WTR} [\text{ns}] / t_{CK} [\text{ns}])$ .
10. For READ w/AP the value is  $nRTP$ , which is defined in mode register 2.
11. For WRITE w/AP the value is  $nWR$ , which is defined in mode register 1.

**Table 142: Timing Between Commands (PRECHARGE and AUTO PRECHARGE): DQ ODT is Enable**

From Command	To Command	Minimum Delay Between "From Command" and "To Command"	Unit	Notes
READ w/AP BL = 16	WRITE or WRITE w/AP (different bank)	$RL + RU(t_{DQSCK}(\text{MAX})/t_{CK}) + BL/2 + RD(t_{RPST}) - ODT_{Lon} - RD(t_{ODTon}(\text{MIN})/t_{CK}) + 1$	$t_{CK}$	2, 3
	MASK-WR or MASK-WR w/AP (different bank)	$RL + RU(t_{DQSCK}(\text{MAX})/t_{CK}) + BL/2 + RD(t_{RPST}) - ODT_{Lon} - RD(t_{ODTon}(\text{MIN})/t_{CK}) + 1$	$t_{CK}$	2, 3
READ w/AP BL = 32	WRITE or WRITE w/AP (different bank)	$RL + RU(t_{DQSCK}(\text{MAX})/t_{CK}) + BL/2 + RD(t_{RPST}) - ODT_{Lon} - RD(t_{ODTon}(\text{MIN})/t_{CK}) + 1$	$t_{CK}$	2, 3
	MASK-WR or MASK-WR w/AP (different bank)	$RL + RU(t_{DQSCK}(\text{MAX})/t_{CK}) + BL/2 + RD(t_{RPST}) - ODT_{Lon} - RD(t_{ODTon}(\text{MIN})/t_{CK}) + 1$	$t_{CK}$	2, 3

- Notes:
1. The rest of the timing about PRECHARGE and AUTO PRECHARGE is same as DQ ODT is disable case.
  2. After READ w/AP, seamless read operations to different banks are supported. READ, WRITE, and MASK-WR operations may not be truncated or interrupted.
  3.  $t_{RPST}$  values depend on MR1 OP[7] respectively.

### RAS Lock Function

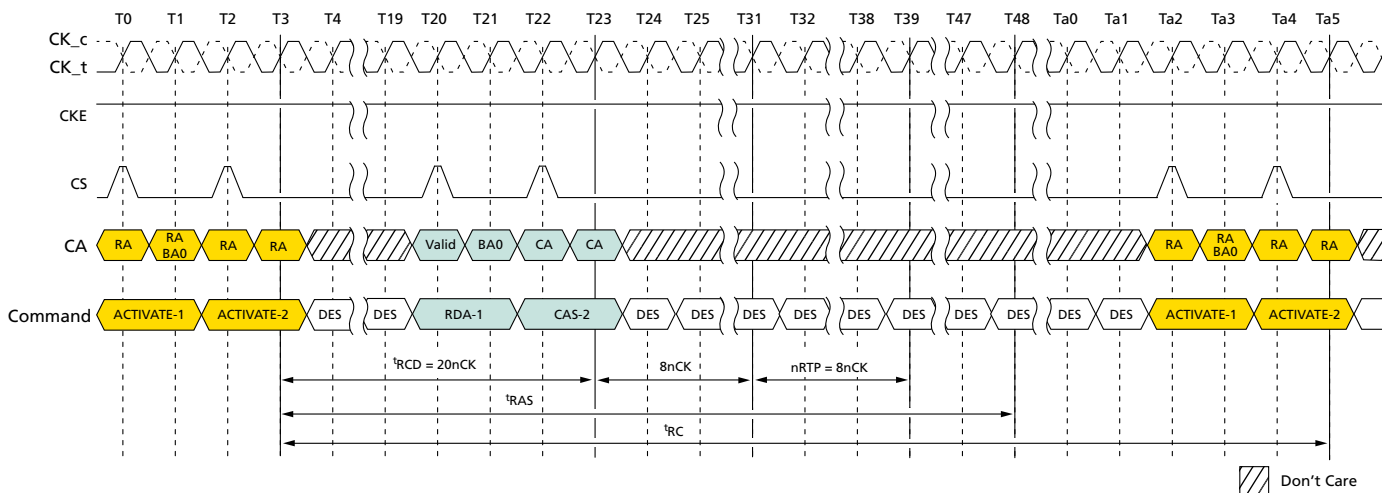
READ with AUTO PRECHARGE or WRITE/MASK WRITE with AUTO PRECHARGE commands may be issued after  $t_{RCD}$  has been satisfied. The LPDDR4 SDRAM RAS lockout feature will schedule the internal precharge to assure that  $t_{RAS}$  is satisfied.  $t_{RC}$  needs to be satisfied prior to issuing subsequent ACTIVATE commands to the same bank.

The figure below shows example of RAS lock function.



# 149-Ball NAND Flash with LPDDR4/LPDDR4X MCP Auto Precharge

**Figure 138: Command Input Timing with RAS Lock**

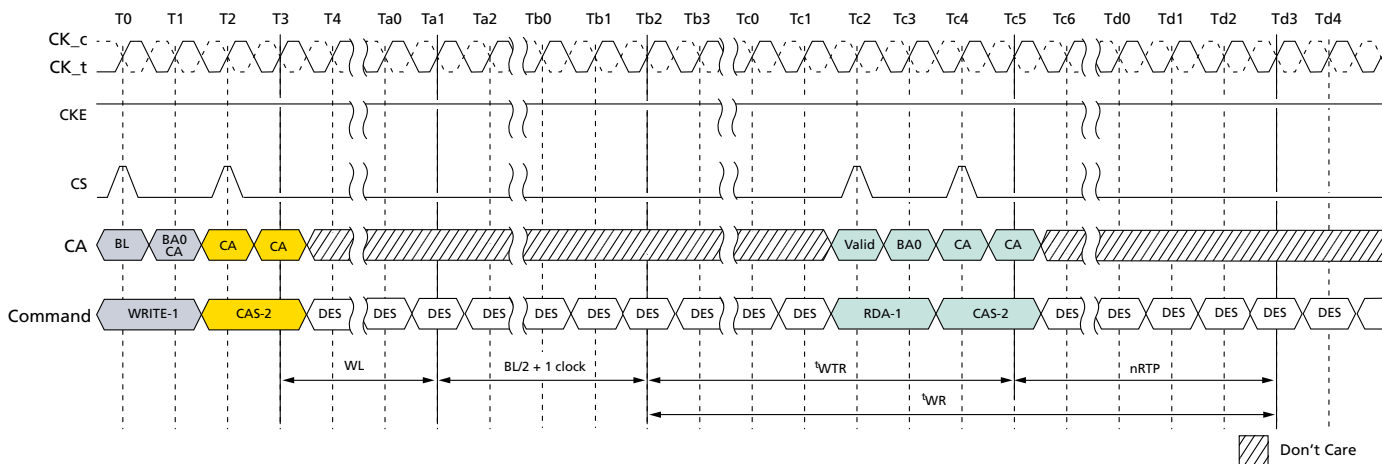


- Notes:
- $t_{CK} (AVG) = 0.938ns$ , Data rate = 2133 Mb/s,  $t_{RCD}(MIN) = MAX(18ns, 4nCK)$ ,  $t_{RAS}(MIN) = MAX(42ns, 3nCK)$ ,  $nRTP = 8nCK$ , BL = 32.
  - $t_{RCD} = 20nCK$  comes from roundup( $18ns/0.938ns$ ).
  - DES commands are shown for ease of illustration; other commands may be valid at these times.

## Delay Time From WRITE-to-READ with Auto Precharge

In the case of WRITE command followed by READ with AUTO PRECHARGE, controller must satisfy  $t_{WR}$  for the WRITE command before initiating the device internal auto-precharge. It means that  $(t_{WTR} + nRTP)$  should be equal or longer than  $(t_{WR})$  when BL setting is 16, as well as  $(t_{WTR} + nRTP + 8nCK)$  should be equal or longer than  $(t_{WR})$  when BL setting is 32. Refer to the following figure for details.

**Figure 139: Delay Time From WRITE-to-READ with Auto Precharge**



- Notes:
- Burst length at read = 16.



## 149-Ball NAND Flash with LPDDR4/LPDDR4X MCP REFRESH Command

2. DES commands are shown for ease of illustration; other commands may be valid at these times.

### REFRESH Command

The REFRESH command is initiated with CS HIGH, CA0 LOW, CA1 LOW, CA2 LOW, CA3 HIGH and CA4 LOW at the first rising edge of clock. Per bank REFRESH is initiated with CA5 LOW at the first rising edge of the clock. The all-bank REFRESH is initiated with CA5 HIGH at the first rising edge of clock.

A per bank REFRESH command (REFpb) is performed to the bank address as transferred on CA0, CA1, and CA2 on the second rising edge of the clock. Bank address BA0 is transferred on CA0, bank address BA1 is transferred on CA1, and bank address BA2 is transferred on CA2. A per bank REFRESH command (REFpb) to the eight banks can be issued in any order. For example, REFpb commands may be issued in the following order: 1-3-0-2-4-7-5-6. After the eight banks have been refreshed using the per bank REFRESH command, the controller can send another set of per bank REFRESH commands in the same order or a different order. One possible order can be a sequential round robin: 0-1-2-3-4-5-6-7. It is illegal to send a per bank REFRESH command to the same bank unless all eight banks have been refreshed using the per bank REFRESH command. The count of eight REFpb commands starts with the first REFpb command after a synchronization event.

The bank count is synchronized between the controller and the device by resetting the bank count to zero. Synchronization can occur upon reset procedure or at every exit from self refresh. The REFab command also synchronizes the counter between the controller and the device to zero. The device can be placed in self refresh, or a REFab command can be issued at any time without cycling through all eight banks using per bank REFRESH command. After the bank count is synchronized to zero, the controller can issue per bank REFRESH commands in any order, as described above.

A REFab command issued when the bank counter is not zero will reset the bank counter to zero and the device will perform refreshes to all banks as indicated by the row counter. If another REFRESH command (REFab or REFpb) is issued after the REFab command then it uses an incremented value of the row counter.

The table below shows examples of both bank and refresh counter increment behavior.

**Table 143: Bank and Refresh Counter Increment Behavior**

#	Command	BA2	BA1	BA0	Refresh Bank #	Bank Counter #	Ref. Conter # (Row Address #)
0	Reset, SRX, or REFab					To 0	–
1	REFpb	0	0	0	0	0 to 1	n
2	REFpb	0	0	1	1	1 to 2	
3	REFpb	0	1	0	2	2 to 3	
4	REFpb	0	1	1	3	3 to 4	
5	REFpb	1	0	0	4	4 to 5	
6	REFpb	1	0	1	5	5 to 6	
7	REFpb	1	1	0	6	6 to 7	
8	REFpb	1	1	1	7	7 to 0	



## 149-Ball NAND Flash with LPDDR4/LPDDR4X MCP REFRESH Command

**Table 143: Bank and Refresh Counter Increment Behavior (Continued)**

#	Command	BA2	BA1	BA0	Refresh Bank #	Bank Counter #	Ref. Conter # (Row Address #)	
9	REFpb	1	1	0	6	0 to 1	n + 1	
10	REFpb	1	1	1	7	1 to 2		
11	REFpb	0	0	1	1	2 to 3		
12	REFpb	0	1	1	3	3 to 4		
13	REFpb	1	0	1	5	4 to 5		
14	REFpb	0	1	0	2	5 to 6		
15	REFpb	0	0	0	0	6 to 7		
16	REFpb	1	0	0	4	7 to 0		
17	REFpb	0	0	0	0	0 to 1		n + 2
18	REFpb	0	0	1	1	1 to 2		
19	REFpb	0	1	0	2	2 to 3		
<b>20</b>	<b>REFab</b>	<b>V</b>	<b>V</b>	<b>V</b>	<b>0 to 7</b>	<b>To 0</b>	<b>n + 2</b>	
21	REFpb	1	1	0	6	0 to 1	n + 3	
22	REFpb	1	1	1	7	1 to 2		
Snip								

A bank must be idle before it can be refreshed. The controller must track the bank being refreshed by the per bank REFRESH command.

The REFpb command must not be issued to the device until the following conditions have been met:

- $t_{RfCab}$  has been satisfied after the prior REFab command
- $t_{RfCpb}$  has been satisfied after the prior REFpb command
- $t_{RP}$  has been satisfied after the prior PRECHARGE command to that bank
- $t_{RRD}$  has been satisfied after the prior ACTIVATE command (for example, after activating a row in a different bank than the one affected by the REFpb command)

The target bank is inaccessible during per bank REFRESH cycle time ( $t_{RfCpb}$ ). However, other banks within the device are accessible and can be addressed during the cycle. During the REFpb operation, any of the banks other than the one being refreshed can be maintained in an active state or accessed by a READ or a WRITE command. When the per bank REFRESH cycle has completed, the affected bank will be in the idle state.

After issuing REFpb, the following conditions must be met:

- $t_{RfCpb}$  must be satisfied before issuing a REFab command
- $t_{RfCpb}$  must be satisfied before issuing an ACTIVATE command to the same bank
- $t_{RRD}$  must be satisfied before issuing an ACTIVATE command to a different bank
- $t_{RfCpb}$  must be satisfied before issuing another REFpb command

An all-bank REFRESH command (REFab) issues a REFRESH command to every bank in a channel. All banks must be idle when REFab is issued (for example, by issuing a PRECHARGE ALL command prior to issuing an all-bank REFRESH command). The REFab



# 149-Ball NAND Flash with LPDDR4/LPDDR4X MCP REFRESH Command

command must not be issued to the device until the following conditions have been met:

- $t_{RFCab}$  has been satisfied following the prior REFab command
- $t_{RFCpb}$  has been satisfied following the prior REFpb command
- $t_{RP}$  has been satisfied following the prior PRECHARGE command

When an all-bank REFRESH cycle has completed, all banks will be idle. After issuing REFab:

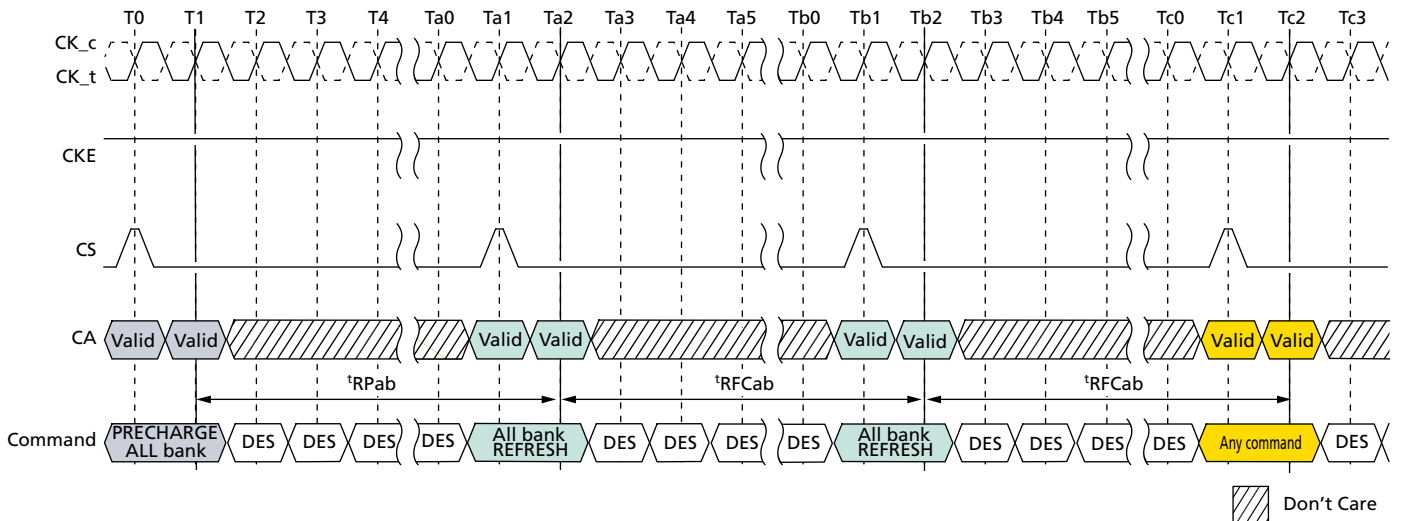
- RFCab latency must be satisfied before issuing an ACTIVATE command,
- RFCab latency must be satisfied before issuing a REFab or REFpb command

**Table 144: REFRESH Command Timing Constraints**

Symbol	Minimum Delay From...	To	Notes
$t_{RFCab}$	REFab	REFab	
		ACTIVATE command to any bank	
		REFpb	
$t_{RFCpb}$	REFpb	REFab	
		ACTIVATE command to same bank as REFpb	
		REFpb	
$t_{RRD}$	REFpb	ACTIVATE command to a different bank than REFpb	
	ACTIVATE	REFpb	1
		ACTIVATE command to a different bank than the prior ACTIVATE command	

Note: 1. A bank must be in the idle state before it is refreshed; therefore, REFab is prohibited following an ACTIVATE command. REFpb is supported only if it affects a bank that is in the idle state.

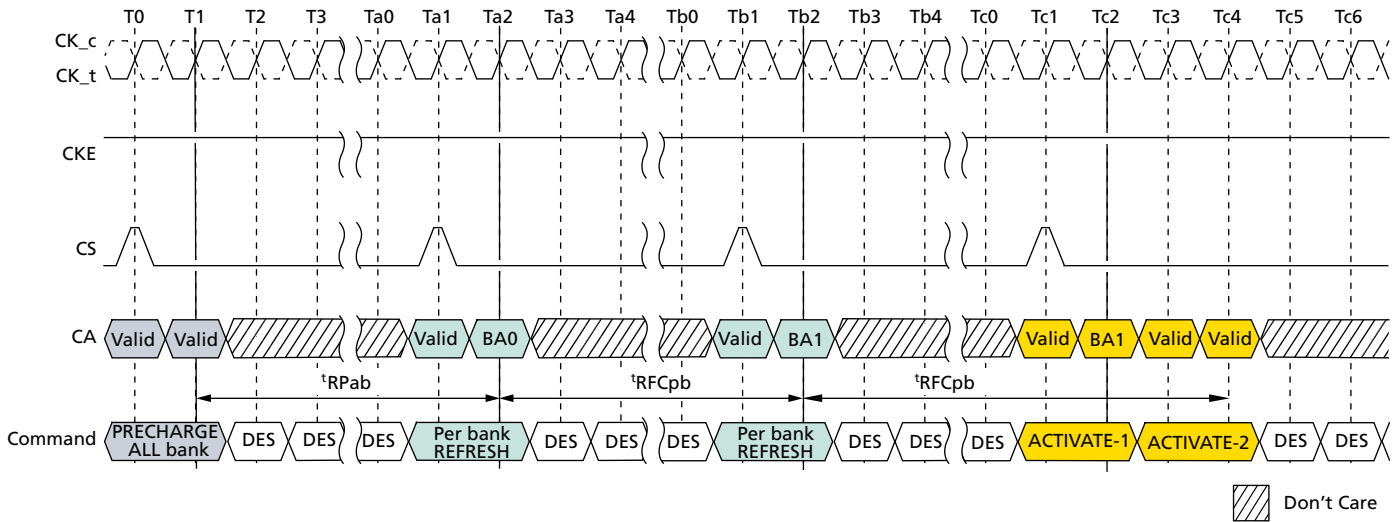
**Figure 140: All-Bank REFRESH Operation**





# 149-Ball NAND Flash with LPDDR4/LPDDR4X MCP REFRESH Command

**Figure 141: Per Bank REFRESH Operation**



- Notes:
1. In the beginning of this example, the REFpb bank is pointing to bank 0.
  2. Operations to banks other than the bank being refreshed are supported during the  ${}^t\text{RFCpb}$  period.

In general, a REFRESH command needs to be issued to the device regularly every  ${}^t\text{REFI}$  interval. To allow for improved efficiency in scheduling and switching between tasks, some flexibility in the absolute refresh interval is provided. A maximum of eight REFRESH commands can be postponed during operation of the device, but at no point in time are more than a total of eight REFRESH commands allowed to be postponed. And a maximum number of pulled-in or postponed REF command is dependent on refresh rate. It is described in the table below. In the case where eight REFRESH commands are postponed in a row, the resulting maximum interval between the surrounding REFRESH commands is limited to  $9 \times {}^t\text{REFI}$ . A maximum of eight additional REFRESH commands can be issued in advance (pulled in), with each one reducing the number of regular REFRESH commands required later by one. Note that pulling in more than eight REFRESH commands in advance does not reduce the number of regular REFRESH commands required later; therefore, the resulting maximum interval between two surrounding REFRESH commands is limited to  $9 \times {}^t\text{REFI}$ . At any given time, a maximum of 16 REFRESH commands can be issued within  $2 \times {}^t\text{REFI}$ .

Self refresh mode may be entered with a maximum of eight REFRESH commands being postponed. After exiting self refresh mode with one or more REFRESH commands postponed, additional REFRESH commands may be postponed to the extent that the total number of postponed REFRESH commands (before and after self refresh) will never exceed eight. During self refresh mode, the number of postponed or pulled-in REFRESH commands does not change.

And for per bank refresh, a maximum of  $8 \times 8$  per bank REFRESH commands can be postponed or pulled in for scheduling efficiency. At any given time, a maximum of  $2 \times 8 \times 8$  per bank REFRESH commands can be issued within  $2 \times {}^t\text{REFI}$ .





## 149-Ball NAND Flash with LPDDR4/LPDDR4X MCP REFRESH Command

**Table 145: Legacy REFRESH Command Timing Constraints**

MR4 OP[2:0]	Refresh rate	Max. No. of pulled-in or postponed REFab	Max. Interval between two REFab	Max. No. of REFab <sup>1</sup>	Per-bank REFRESH
000b	Low temp. limit	N/A	N/A	N/A	N/A
001b	$4 \times t_{\text{REFI}}$	8	$9 \times 4 \times t_{\text{REFI}}$	16	1/8 of REFab
010b	$2 \times t_{\text{REFI}}$	8	$9 \times 2 \times t_{\text{REFI}}$	16	1/8 of REFab
011b	$1 \times t_{\text{REFI}}$	8	$9 \times t_{\text{REFI}}$	16	1/8 of REFab
100b	$0.5 \times t_{\text{REFI}}$	8	$9 \times 0.5 \times t_{\text{REFI}}$	16	1/8 of REFab
101b	$0.25 \times t_{\text{REFI}}$	8	$9 \times 0.25 \times t_{\text{REFI}}$	16	1/8 of REFab
110b	$0.25 \times t_{\text{REFI}}$	8	$9 \times 0.25 \times t_{\text{REFI}}$	16	1/8 of REFab
111b	High temp. limit	N/A	N/A	N/A	N/A

Note: 1. Maximum number of REFab within  $\text{MAX}(2 \times t_{\text{REFI}} \times \text{refresh rate multiplier}, 16 \times t_{\text{RFC}})$ .

**Table 146: Modified REFRESH Command Timing Constraints**

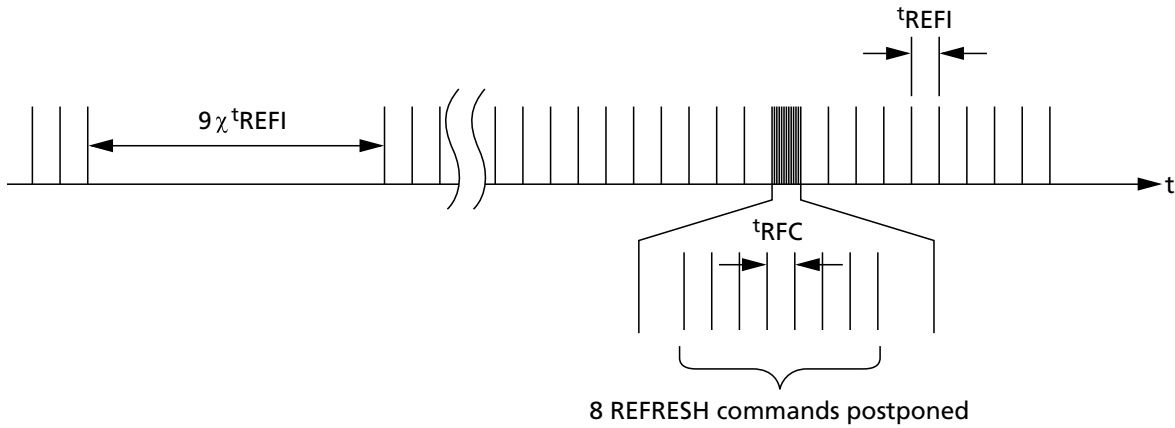
MR4 OP[2:0]	Refresh Rate	Max. No. of Pulled-in or Postponed REFab	Max. Interval between Two REFab	Max. No. of REFab <sup>1</sup>	Per-bank REFRESH
000B	Low temp. limit	N/A	N/A	N/A	N/A
001B	$4 \times t_{\text{REFI}}$	2	$3 \times 4 \times t_{\text{REFI}}$	4	1/8 of REFab
010B	$2 \times t_{\text{REFI}}$	4	$5 \times 2 \times t_{\text{REFI}}$	8	1/8 of REFab
011B	$1 \times t_{\text{REFI}}$	8	$9 \times t_{\text{REFI}}$	16	1/8 of REFab
100B	$0.5 \times t_{\text{REFI}}$	8	$9 \times 0.5 \times t_{\text{REFI}}$	16	1/8 of REFab
101B	$0.25 \times t_{\text{REFI}}$	8	$9 \times 0.25 \times t_{\text{REFI}}$	16	1/8 of REFab
110B	$0.25 \times t_{\text{REFI}}$	8	$9 \times 0.25 \times t_{\text{REFI}}$	16	1/8 of REFab
111B	High temp. limit	N/A	N/A	N/A	N/A

- Notes:
- For any thermal transition phase where refresh mode is transitioned to either  $2 \times t_{\text{REFI}}$  or  $4 \times t_{\text{REFI}}$ , LPDDR4 devices will support the previous postponed refresh requirement provided the number of postponed refreshes is monotonically reduced to meet the new requirement. However, the pulled-in REFRESH commands in the previous thermal phase are not applied in the new thermal phase. Entering a new thermal phase, the controller must count the number of pulled-in REFRESH commands as zero, regardless of the number of remaining pulled-in REFRESH commands in the previous thermal phase.
  - LPDDR4 devices are refreshed properly if the memory controller issues REFRESH commands with same or shorter refresh period than reported by MR4 OP[2:0]. If a shorter refresh period is applied, the corresponding requirements from this table apply. For example, when MR4 OP[2:0] = 001b, the controller can be in any refresh rate from  $4 \times t_{\text{REFI}}$  to  $0.25 \times t_{\text{REFI}}$ . When MR4 OP[2:0] = 010b, the only prohibited refresh rate is  $4 \times t_{\text{REFI}}$ .

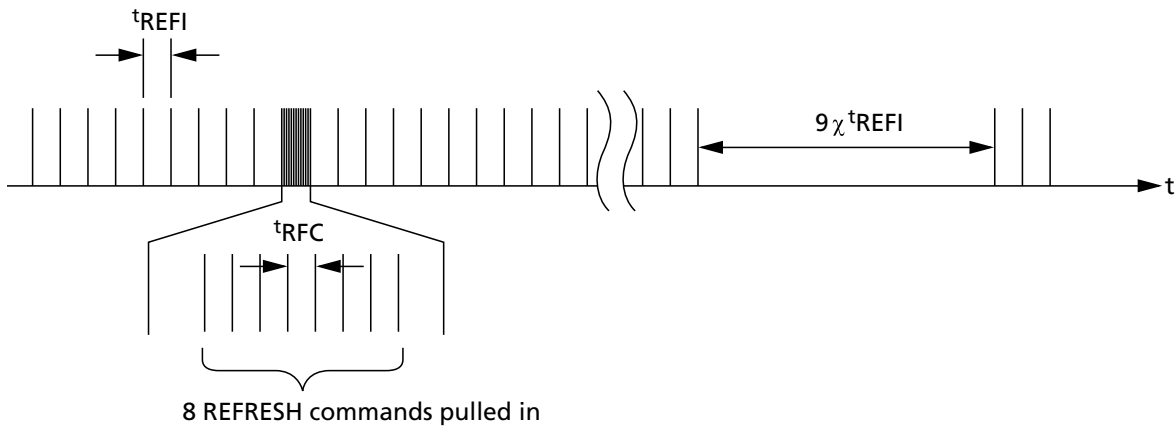


# 149-Ball NAND Flash with LPDDR4/LPDDR4X MCP REFRESH Command

**Figure 142: Postponing REFRESH Commands (Example)**



**Figure 143: Pulling in REFRESH Commands (Example)**

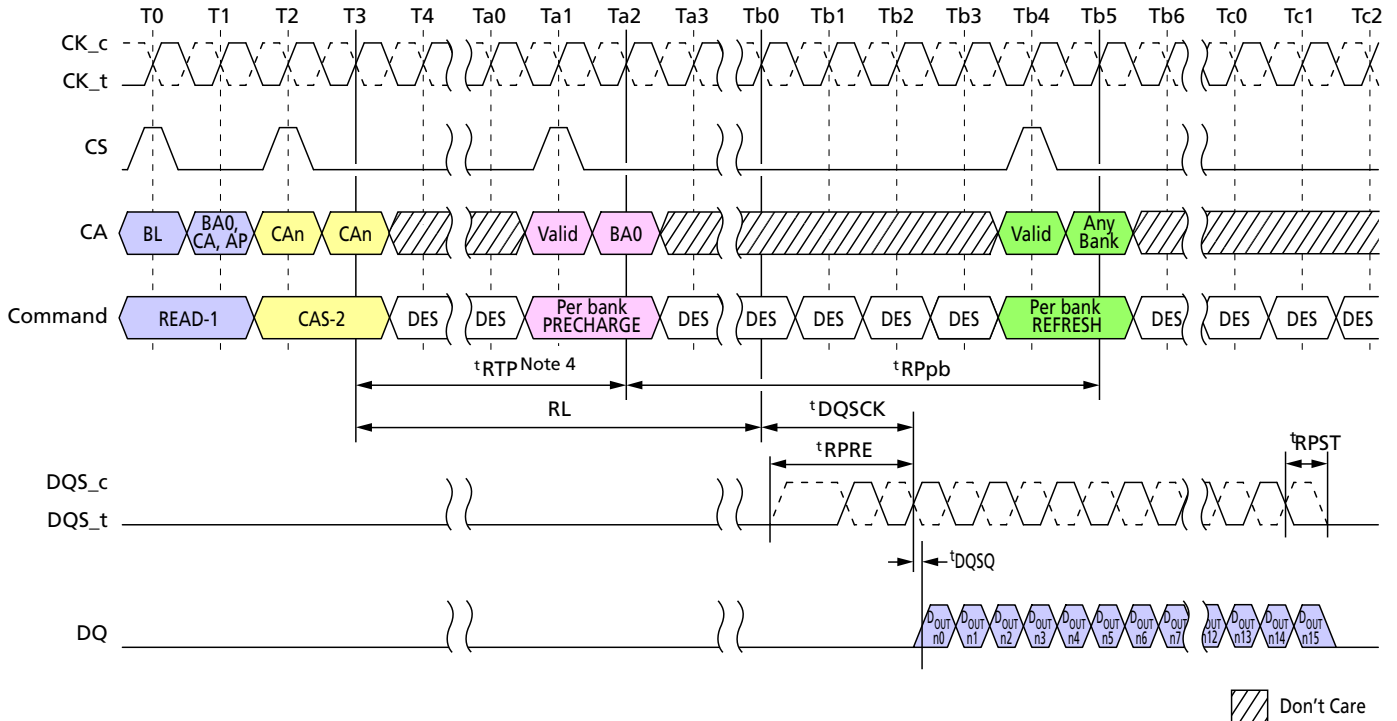




# 149-Ball NAND Flash with LPDDR4/LPDDR4X MCP REFRESH Command

## Burst READ Operation Followed by Per Bank Refresh

Figure 144: Burst READ Operation Followed by Per Bank Refresh

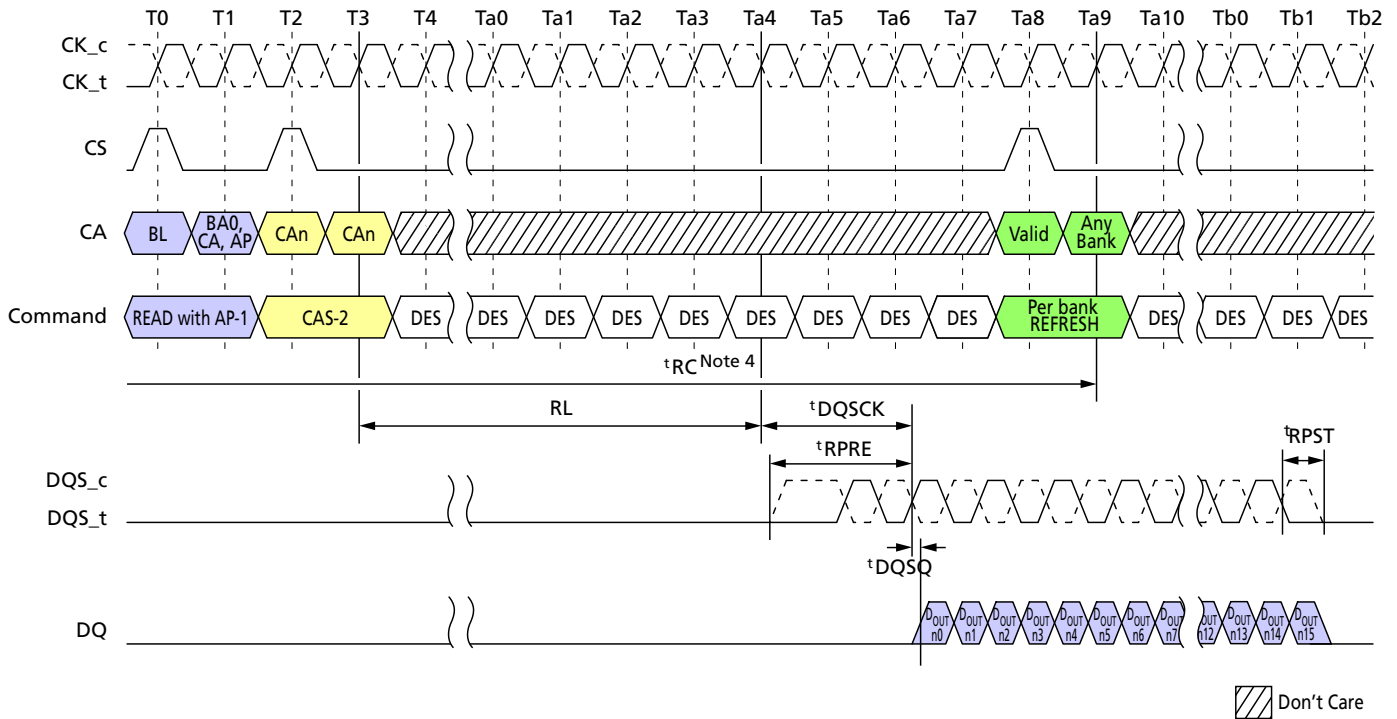


- Notes:
1. The per bank REFRESH command can be issued after  $t_{RTP} + t_{RPpb}$  from READ command.
  2. BL = 16; Preamble = Toggle; Postamble =  $0.5nCK$ ; DQ/DQS:  $V_{SSQ}$  termination.
  3.  $D_{OUT\ n}$  = data-out from column  $n$ .
  4. In the case of BL = 32, delay time from read to per bank precharge is  $8nCK + t_{RTP}$ .
  5. DES commands are shown for ease of illustration; other commands may be valid at these times.



# 149-Ball NAND Flash with LPDDR4/LPDDR4X MCP Refresh Requirement

**Figure 145: Burst READ With AUTO PRECHARGE Operation Followed by Per Bank Refresh**



- Notes:
1. BL = 16; Preamble = Toggle; Postamble = 0.5nCK; DQ/DQS: V<sub>SSQ</sub> termination.
  2. D<sub>OUT</sub> n = data-out from column n.
  3. DES commands are shown for ease of illustration; other commands may be valid at these times.
  4. t<sub>RC</sub> needs to be satisfied prior to issuing a subsequent per bank REFRESH command.

## Refresh Requirement

Between the SRX command and SRE command, at least one extra REFRESH command is required. After the SELF REFRESH EXIT command, in addition to the normal REFRESH command at t<sub>REFI</sub> interval, the device requires a minimum of one extra REFRESH command prior to the SELF REFRESH ENTRY command.

**Table 147: Refresh Requirement Parameters**

Parameter	Symbol	Density (per channel)							Unit
		2Gb	3Gb	4Gb	6Gb	8Gb	12Gb	16Gb	
Number of banks per channel	–	8							–
Refresh window (t <sub>REFW</sub> ): (1 × Refresh) <sup>3</sup>	t <sub>REFW</sub>	32							ms
Required number of REFRESH commands in t <sub>REFW</sub> window	R	8192							–
Average refresh interval (1 × Refresh) <sup>3</sup>	REFab	t <sub>REFI</sub>	3.904					–	µs
	REFpb	t <sub>REFIpb</sub>	488					–	ns



## 149-Ball NAND Flash with LPDDR4/LPDDR4X MCP SELF REFRESH Operation

**Table 147: Refresh Requirement Parameters (Continued)**

Parameter	Symbol	Density (per channel)						Unit
		2Gb	3Gb	4Gb	6Gb	8Gb	12Gb	
REFRESH cycle time (all banks)	<sup>t</sup> RFCab	130	180		280		380	ns
REFRESH cycle time (per bank)	<sup>t</sup> RFCpb	60	90		140		190	ns
Per bank refresh to per bank re- fresh time (different bank)	<sup>t</sup> PBR2PBR	60	90		90		90	ns

- Notes:
1. Refresh for each channel is independent of the other channel on the die, or other channels in a package. Power delivery in the user's system should be verified to make sure the DC operating conditions are maintained when multiple channels are refreshed simultaneously.
  2. Self refresh abort feature is available for higher density devices starting with 6Gb density per channel device and <sup>t</sup>XSR\_abort(MIN) is defined as <sup>t</sup>RFCpb + 17.5ns.
  3. Refer to MR4 OP[2:0] for detailed refresh rate and its multipliers.

## SELF REFRESH Operation

### Self Refresh Entry and Exit

The SELF REFRESH command can be used to retain data in the device without external REFRESH commands. The device has a built-in timer to accommodate SELF REFRESH operation. Self refresh is entered by the SELF REFRESH ENTRY command defined by having CS HIGH, CA0 LOW, CA1 LOW, CA2 LOW, CA3 HIGH, CA4 HIGH, and CA5 valid (valid meaning that it is at a logic level HIGH or LOW) for the first rising edge, and CS LOW, CA0 valid, CA1 valid, CA2 valid, CA3 valid, CA4 valid, and CA5 valid at the second rising edge of clock. The SELF REFRESH command is only allowed when READ DATA burst is completed and the device is in the idle state.

During self refresh mode, external clock input is needed and all input pins of the device are activated. The device can accept the following commands: MRR-1, CAS-2, DES, SRX, MPC, MRW-1, and MRW-2, except PASR bank/segment mask setting and SR abort setting.

The device can operate in self refresh mode within the standard and elevated temperature ranges. It also manages self refresh power consumption when the operating temperature changes: lower at low temperatures and higher at high temperatures.

For proper SELF REFRESH operation, power supply pins ( $V_{DD1}$ ,  $V_{DD2}$ , and  $V_{DDQ}$ ) must be at valid levels.  $V_{DDQ}$  can be turned off during self refresh with power-down after <sup>t</sup>CKELCK is satisfied. (Refer to the Self Refresh Entry/Exit Timing with Power-Down Entry/Exit figure.) Prior to exiting self refresh with power-down,  $V_{DDQ}$  must be within specified limits. The minimum time that the device must remain in self refresh mode is <sup>t</sup>SR(MIN). After self refresh exit is registered, only MRR-1, CAS-2, DES, MPC, MRW-1, and MRW-2 except PASR bank/segment mask setting and SR abort setting are allowed until <sup>t</sup>XSR is satisfied.

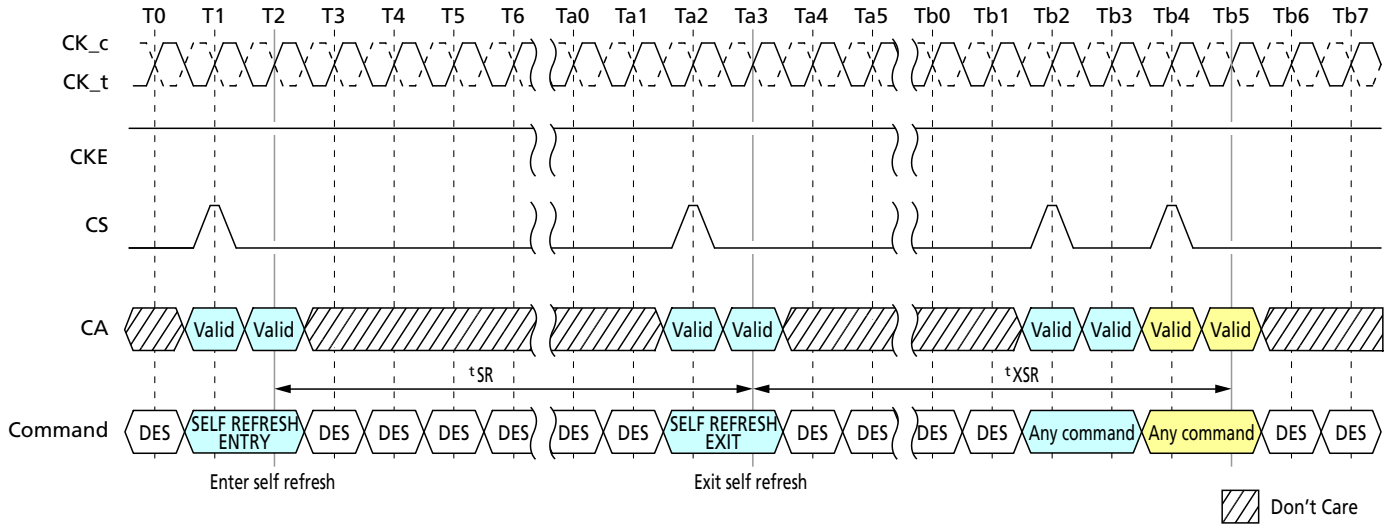
The use of self refresh mode introduces the possibility that an internally timed refresh event can be missed when self refresh exit is registered. Upon exit from self refresh, it is required that at least one REFRESH command (8 per-bank or 1 all-bank) is issued before entry into a subsequent self refresh. This REFRESH command is not included in the



# 149-Ball NAND Flash with LPDDR4/LPDDR4X MCP SELF REFRESH Operation

count of regular REFRESH commands required by the  $t_{REFI}$  interval, and does not modify the postponed or pulled-in refresh counts; the REFRESH command does count toward the maximum refreshes permitted within  $2 \times t_{REFI}$ .

**Figure 146: Self Refresh Entry/Exit Timing**



- Notes:
1. MRR-1, CAS-2, DES, SRX, MPC, MRW-1, and MRW-2 commands (except PASR bank/segment mask setting and SR abort setting) are allowed during self refresh.
  2. DES commands are shown for ease of illustration; other commands may be valid at these times.

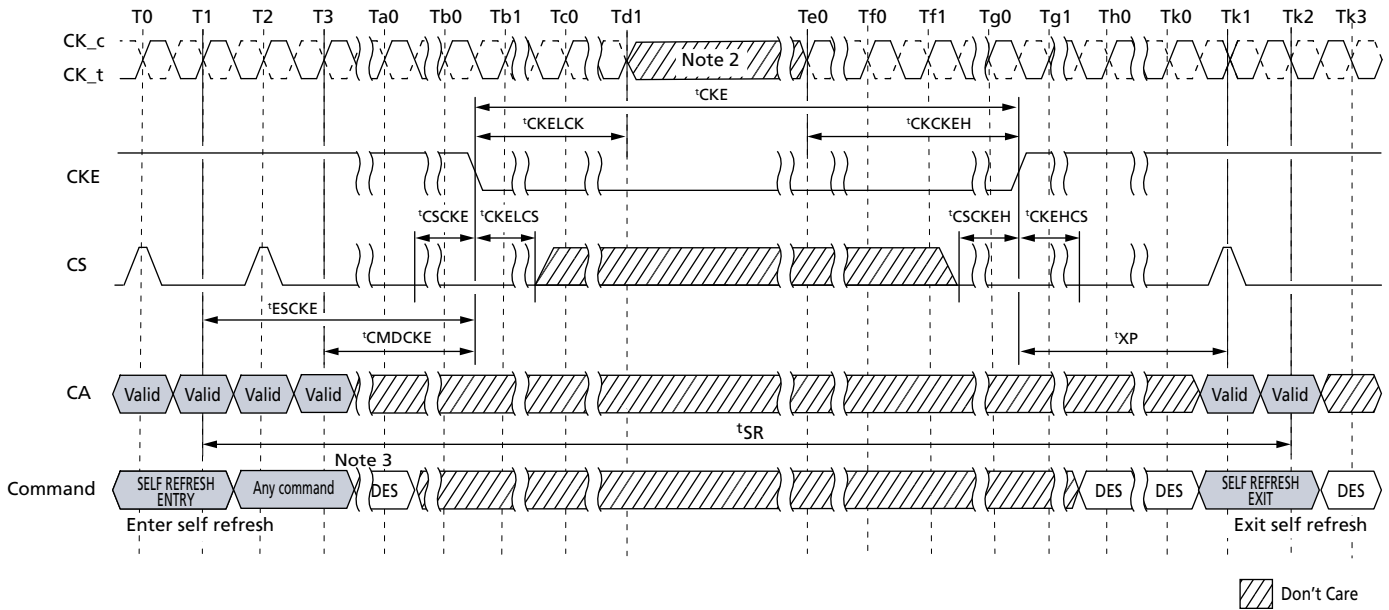
## Power-Down Entry and Exit During Self Refresh

Entering/exiting power-down mode is allowed during self refresh mode. The related timing parameters between self refresh entry/exit and power-down entry/exit are shown below.



# 149-Ball NAND Flash with LPDDR4/LPDDR4X MCP SELF REFRESH Operation

**Figure 147: Self Refresh Entry/Exit Timing with Power-Down Entry/Exit**



- Notes:
1. MRR-1, CAS-2, DES, SRX, MPC, MRW-1, and MRW-2 commands (except PASR bank/segment mask setting and SR abort setting) are allowed during self refresh.
  2. Input clock frequency can be changed, or the input clock can be stopped, or floated after  ${}^t\text{CKELCK}$  satisfied and during power-down, provided that upon exiting power-down, the clock is stable and within specified limits for a minimum of  ${}^t\text{CKCKEH}$  of stable clock prior to power-down exit and the clock frequency is between the minimum and maximum specified frequency for the speed grade in use.
  3. Two clock command for example.

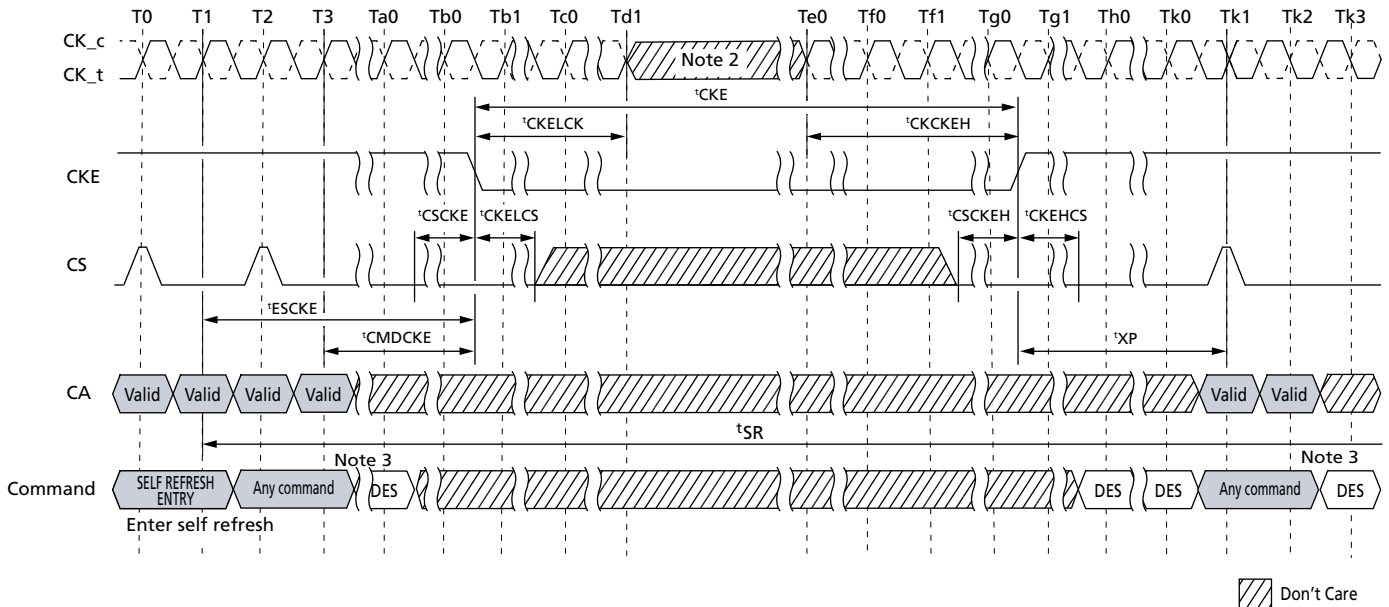
## Command Input Timing After Power-Down Exit

Command input timings after power-down exit during self refresh mode are shown below.



# 149-Ball NAND Flash with LPDDR4/LPDDR4X MCP SELF REFRESH Operation

**Figure 148: Command Input Timings after Power-Down Exit During Self Refresh**



- Notes:
1. MRR-1, CAS-2, DES, SRX, MPC, MRW-1, and MRW-2 commands (except PASR bank/segment setting) are allowed during self refresh.
  2. Input clock frequency can be changed or the input clock can be stopped or floated after  $t_{CKELCK}$  satisfied and during power-down, provided that upon exiting power-down, the clock is stable and within specified limits for a minimum of  $t_{CKCKEH}$  of stable clock prior to power-down exit and the clock frequency is between the minimum and maximum specified frequency for the speed grade in use.
  3. Two clock command for example.

## Self Refresh Abort

If MR4 OP[3] is enabled, the device aborts any ongoing refresh during self refresh exit and does not increment the internal refresh counter. The controller can issue a valid command after a delay of  $t_{XSR\_abort}$  instead of  $t_{XSR}$ .

The value of  $t_{XSR\_abort(MIN)}$  is defined as  $t_{RFCpb} + 17.5ns$ .

Upon exit from self refresh mode, the device requires a minimum of one extra refresh (eight per bank or one for the entire bank) before entering a subsequent self refresh mode. This requirement remains the same irrespective of the setting of the MR bit for self refresh abort.

Self refresh abort feature is valid for 6Gb density per channel and larger densities only.

## MRR, MRW, MPC Commands During $t_{XSR}$ , $t_{RFC}$

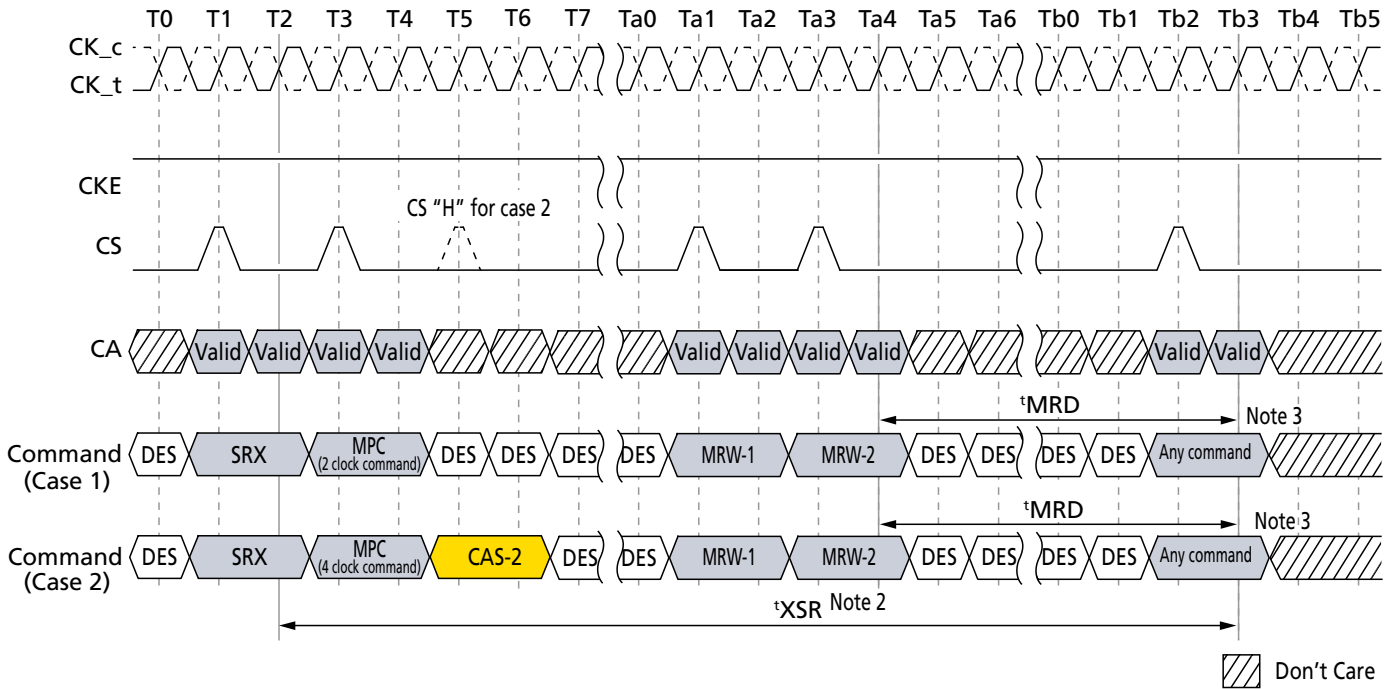
MODE REGISTER READ (MRR), MULTI PURPOSE (MPC), and MODE REGISTER WRITE (MRW) command except PASR bank/segment mask setting and SR abort setting can be issued during  $t_{XSR}$  period.





# 149-Ball NAND Flash with LPDDR4/LPDDR4X MCP SELF REFRESH Operation

**Figure 149: MRR, MRW, and MPC Commands Issuing Timing During  $t^{\text{XSR}}$**

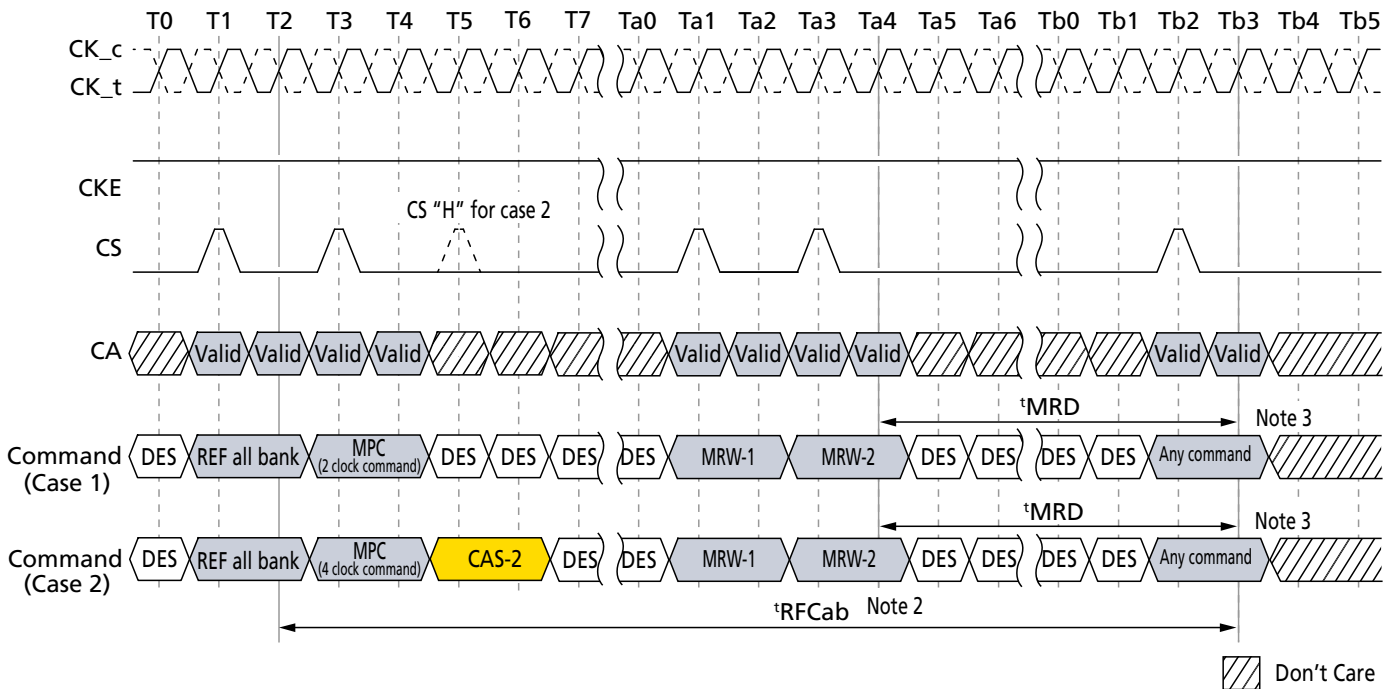


- Notes:
1. MPC and MRW commands are shown. Any combination of MRR, MRW, and MPC is allowed during  $t^{\text{XSR}}$  period.
  2. "Any command" includes MRR, MRW, and all MPC commands.
- MRR, MRW, and MPC can be issued during  $t^{\text{RFC}}$  period.



# 149-Ball NAND Flash with LPDDR4/LPDDR4X MCP SELF REFRESH Operation

**Figure 150: MRR, MRW, and MPC Commands Issuing Timing During  $t_{RFC}$**



- Notes:
1. MPC and MRW commands are shown. Any combination of MRR, MRW, and MPC is allowed during  $t_{RFCab}$  or  $t_{RFCpb}$  period.
  2. REFRESH cycle time depends on REFRESH command. In the case of per bank REFRESH command issued, REFRESH cycle time will be  $t_{RFCpb}$ .
  3. "Any command" includes MRR, MRW, and all MPC commands.



## Power-Down Mode

### Power-Down Entry and Exit

Power-down is asynchronously entered when CKE is driven LOW. CKE must not go LOW while the following operations are in progress:

- Mode register read
- Mode register write
- Read
- Write
- $V_{REF(CA)}$  range and value setting via MRW
- $V_{REF(DQ)}$  range and value setting via MRW
- Command bus training mode entering/exiting via MRW
- VRCG HIGH current mode entering/exiting via MRW

CKE can go LOW while any other operations such as row activation, precharge, auto precharge, or refresh are in progress. The power-down  $I_{DD}$  specification will not be applied until such operations are complete. Power-down entry and exit are shown below.

Entering power-down deactivates the input and output buffers, excluding CKE and RESET\_n. To ensure that there is enough time to account for internal delay on the CKE signal path, CS input is required stable LOW level and CA input level is "Don't Care" after CKE is driven LOW, this timing period is defined as  $t_{CKELCS}$ . Clock input is required after CKE is driven LOW, this timing period is defined as  $t_{CKELCK}$ . CKE LOW will result in deactivation of all input receivers except RESET\_n after  $t_{CKELCK}$  has expired. In power-down mode, CKE must be held LOW; all other input signals except RESET\_n are "Don't Care." CKE LOW must be maintained until  $t_{CKE(MIN)}$  is satisfied.

$V_{DDQ}$  can be turned off during power-down after  $t_{CKELCK}$  is satisfied. Prior to exiting power-down,  $V_{DDQ}$  must be within its minimum/maximum operating range. No REFRESH operations are performed in power-down mode except self refresh power-down. The maximum duration in non-self-refresh power-down mode is only limited by the refresh requirements outlined in the REFRESH command section.

The power-down state is asynchronously exited when CKE is driven HIGH. CKE HIGH must be maintained until  $t_{CKE(MIN)}$  is satisfied. A valid, executable command can be applied with power-down exit latency  $t_{XP}$  after CKE goes HIGH. Power-down exit latency is defined in the AC timing parameter table.

Clock frequency change or clock stop is inhibited during  $t_{CMDCKE}$ ,  $t_{CKELCK}$ ,  $t_{CKCKEH}$ ,  $t_{XP}$ ,  $t_{MRWCKEL}$ , and  $t_{ZQCKE}$  periods.

If power-down occurs when all banks are idle, this mode is referred to as idle power-down. If power-down occurs when there is a row active in any bank, this mode is referred to as active power-down. And if power-down occurs when self refresh is in progress, this mode is referred to as self refresh power-down in which the internal refresh is continuing in the same way as self refresh mode.

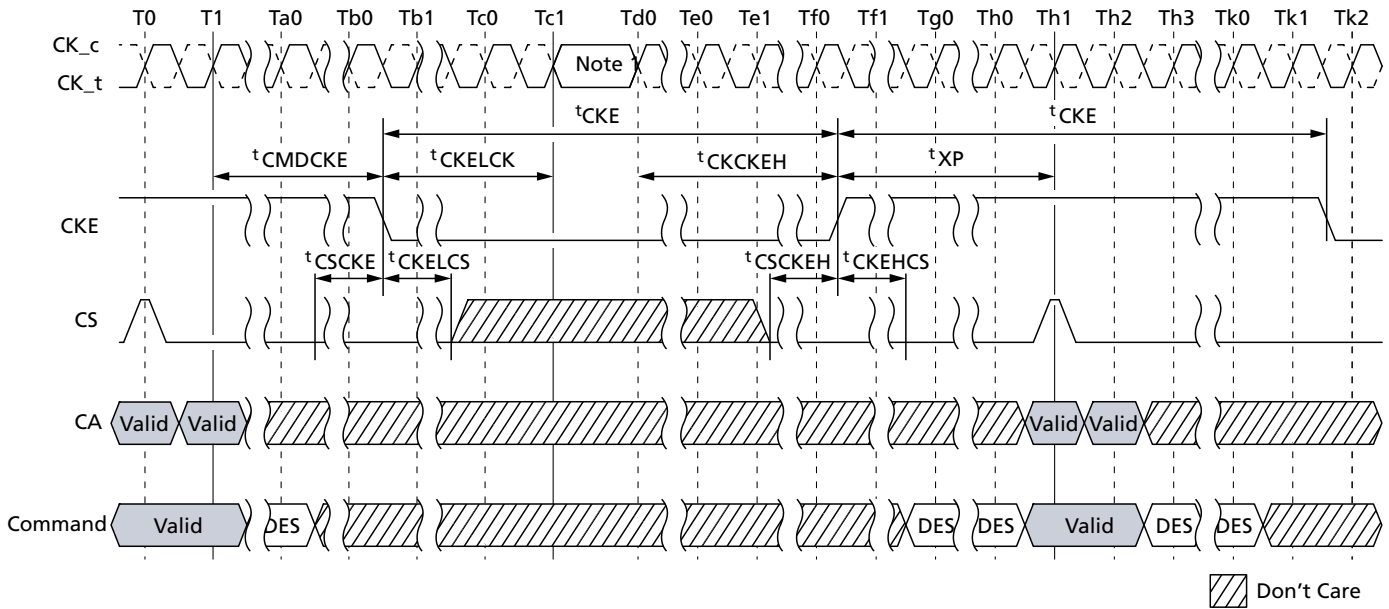
When CA, CK, and/or CS ODT is enabled via MR11 OP[6:4] and also via MR22 or CA-ODT pad setting, the rank providing ODT will continue to terminate the command bus in all DRAM states including power-down when  $V_{DDQ}$  is stable and within its minimum/maximum operating range.



# 149-Ball NAND Flash with LPDDR4/LPDDR4X MCP Power-Down Mode

The LPDDR4 DRAM cannot be placed in power-down state during start DQS interval oscillator operation.

**Figure 151: Basic Power-Down Entry and Exit Timing**

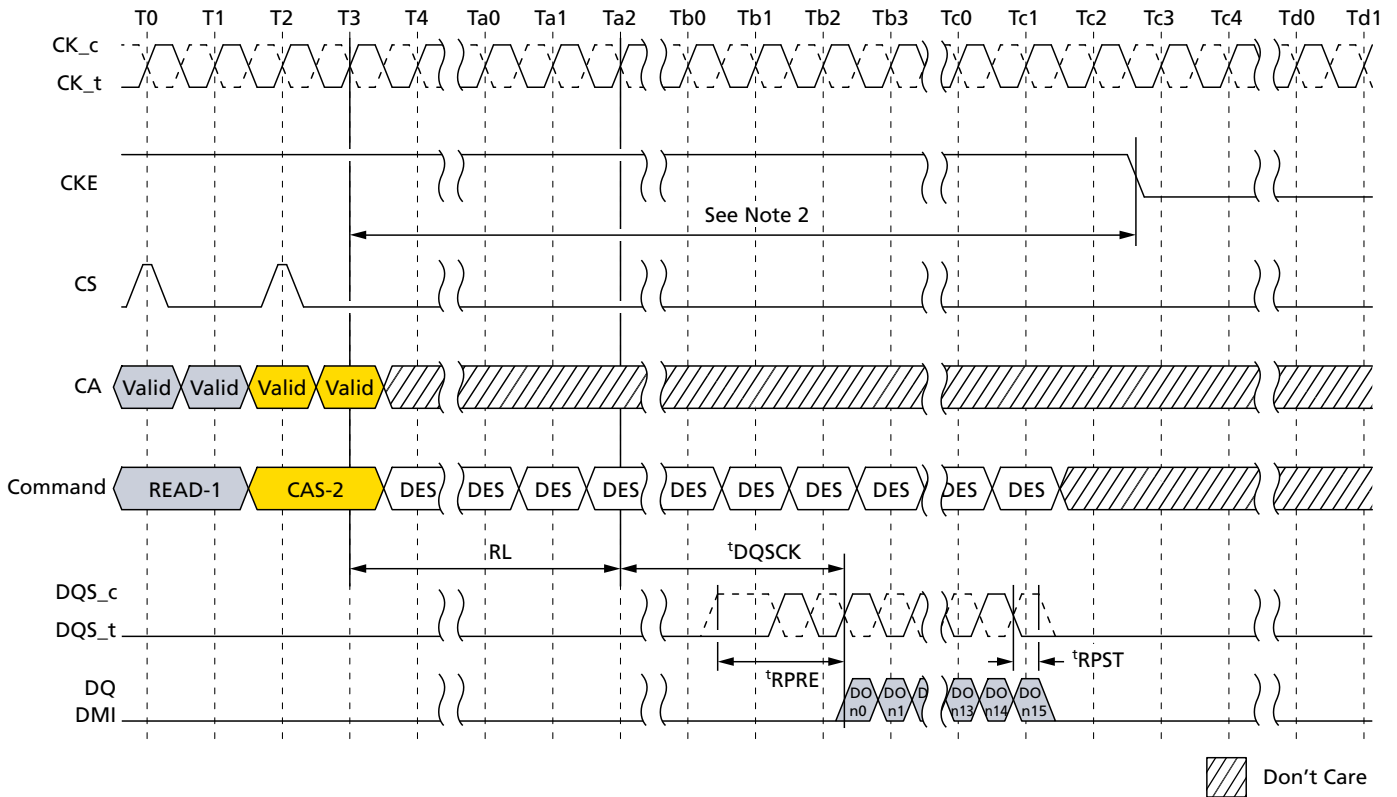


Note: 1. Input clock frequency can be changed or the input clock can be stopped or floated during power-down, provided that upon exiting power-down, the clock is stable and within specified limits for a minimum of  $t_{CKCKEH}$  of stable clock prior to power-down exit and the clock frequency is between the minimum and maximum specified frequency for the speed grade in use.



149-Ball NAND Flash with LPDDR4/LPDDR4X MCP Power-Down Mode

Figure 152: Read and Read with Auto Precharge to Power-Down Entry

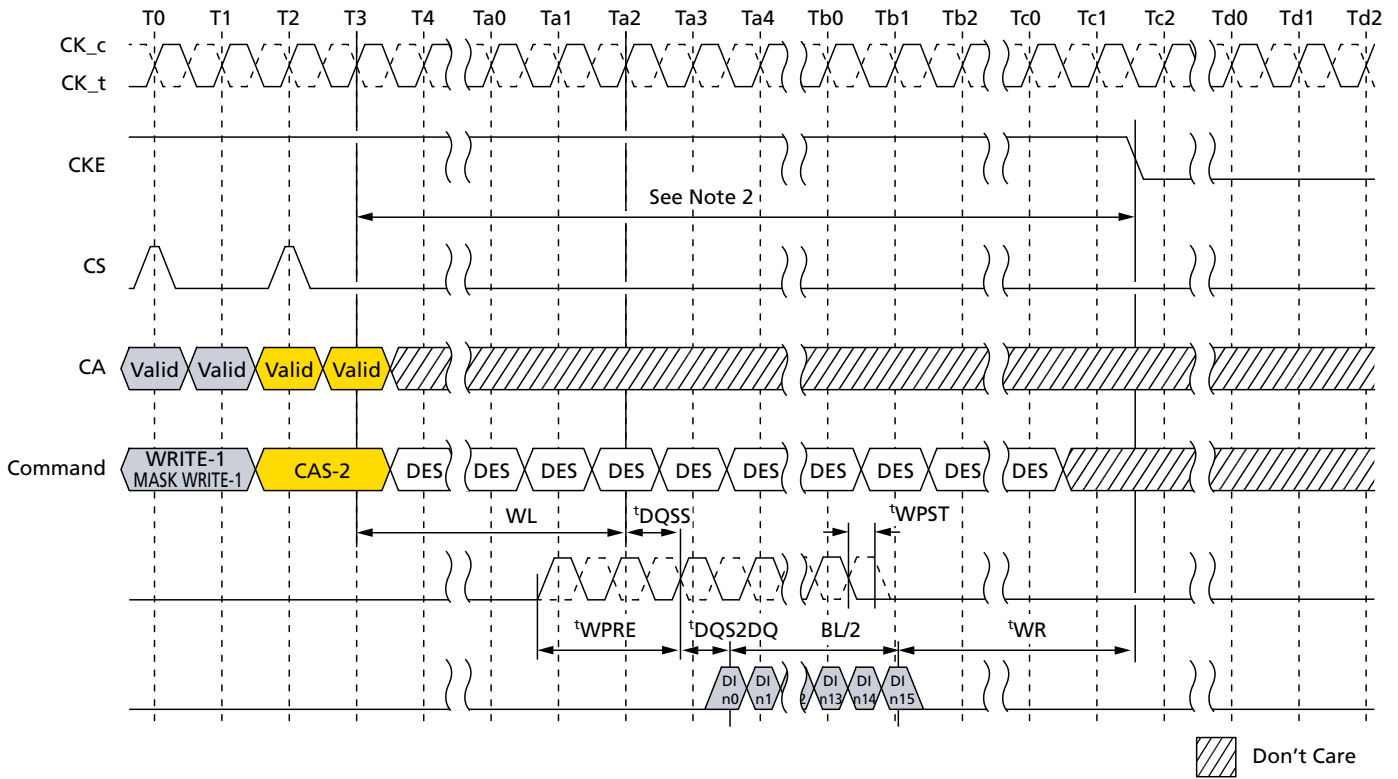


- Notes:
1. CKE must be held HIGH until the end of the burst operation.
  2. Minimum delay time from READ command or READ with AUTO PRECHARGE command to falling edge of CKE signal is as follows:
    - When read postamble =  $0.5nCK$  (MR1 OP[7] = [0]),  
 $(RL \times tCK) + tDQSCK(MAX) + ((BL/2) \times tCK) + 1tCK$
    - When read postamble =  $1.5nCK$  (MR1 OP[7] = [1]),  
 $(RL \times tCK) + tDQSCK(MAX) + ((BL/2) \times tCK) + 2tCK$



# 149-Ball NAND Flash with LPDDR4/LPDDR4X MCP Power-Down Mode

**Figure 153: Write and Mask Write to Power-Down Entry**



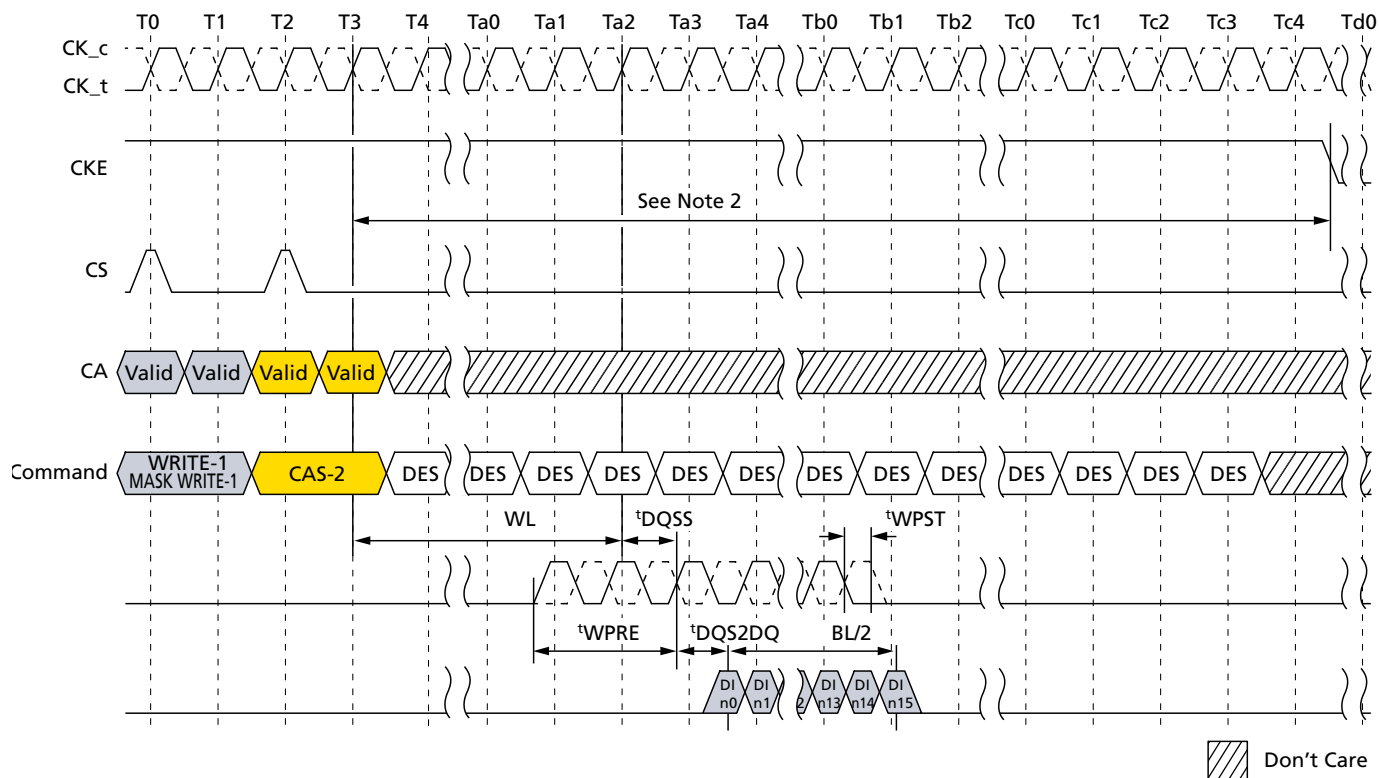
- Notes:
1. CKE must be held HIGH until the end of the burst operation.
  2. Minimum delay time from WRITE command or MASK WRITE command to falling edge of CKE signal is as follows:  

$$(WL \times t_{CK}) + t_{DQSS(MAX)} + t_{DQS2DQ(MAX)} + ((BL/2) \times t_{CK}) + t_{WR}$$
  3. This timing is applied regardless of DQ ODT disable/enable setting: MR11 OP[2:0].
  4. This timing diagram only applies to the WRITE and MASK WRITE commands without auto precharge.



# 149-Ball NAND Flash with LPDDR4/LPDDR4X MCP Power-Down Mode

**Figure 154: Write With Auto Precharge and Mask Write With Auto Precharge to Power-Down Entry**

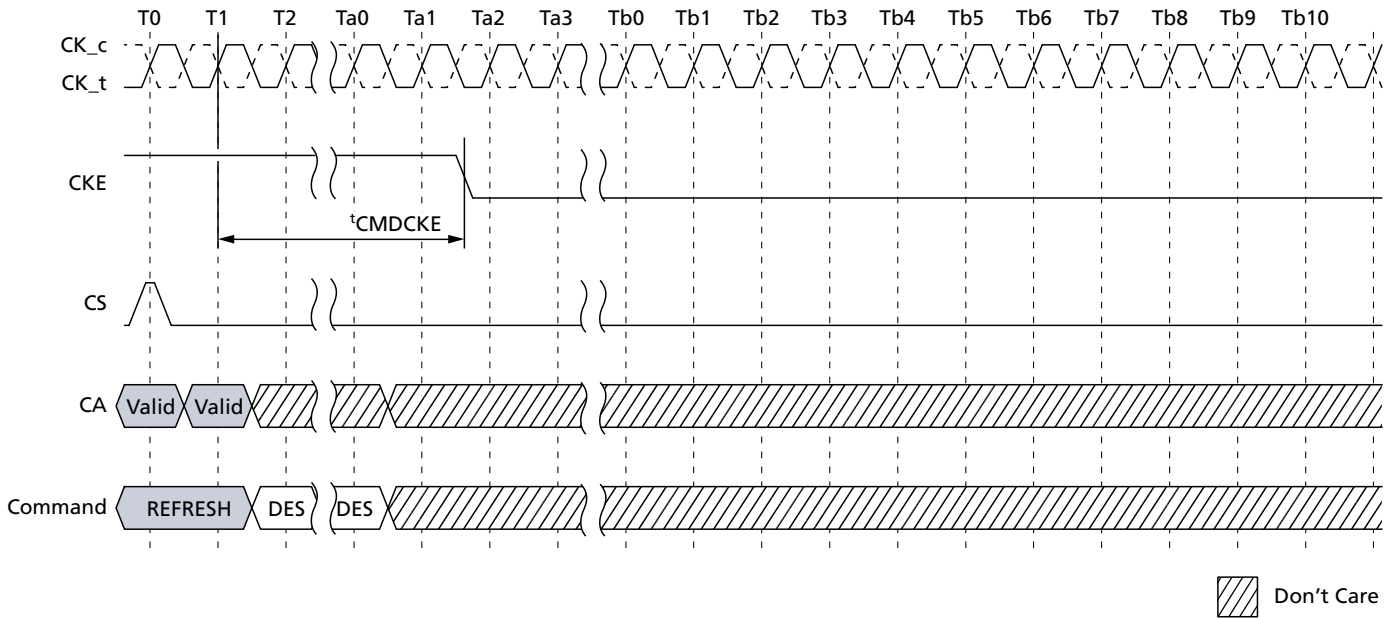


- Notes:
1. CKE must be held HIGH until the end of the burst operation.
  2. Delay time from WRITE with AUTO PRECHARGE command or MASK WRITE with AUTO PRECHARGE command to falling edge of CKE signal is more than  $(WL \times tCK) + tDQSS(MAX) + tDQS2DQ(MAX) + ((BL/2) \times tCK) + (nWR \times tCK) + (2 \times tCK)$
  3. This timing is applied regardless of DQ ODT disable/enable setting: MR11 OP[2:0].



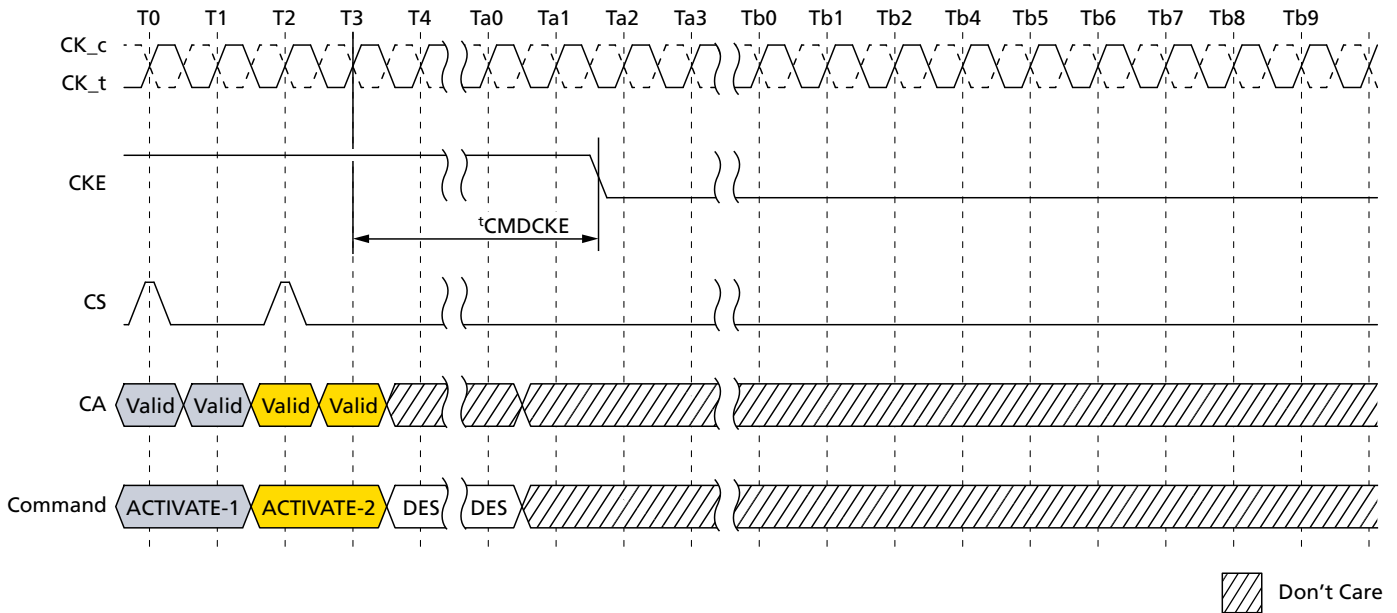
# 149-Ball NAND Flash with LPDDR4/LPDDR4X MCP Power-Down Mode

**Figure 155: Refresh Entry to Power-Down Entry**



Note: 1. CKE must be held HIGH until  $t_{CMDCKE}$  is satisfied.

**Figure 156: ACTIVATE Command to Power-Down Entry**



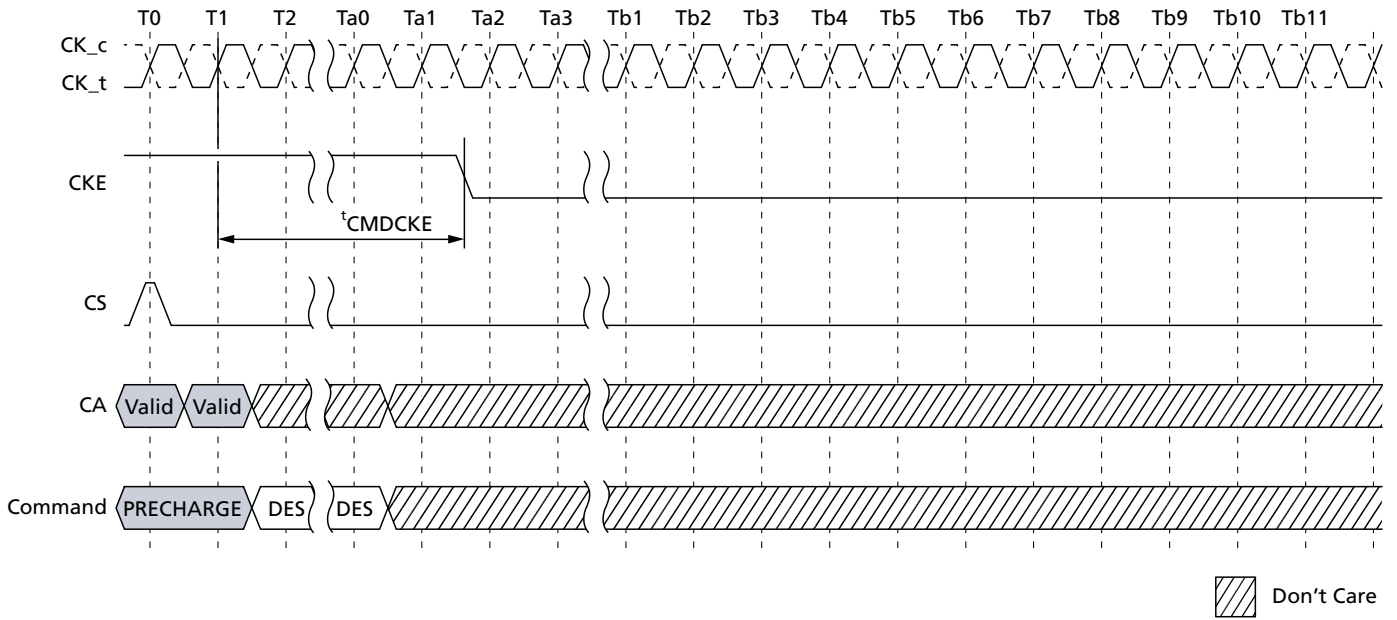
Note: 1. CKE must be held HIGH until  $t_{CMDCKE}$  is satisfied.





# 149-Ball NAND Flash with LPDDR4/LPDDR4X MCP Power-Down Mode

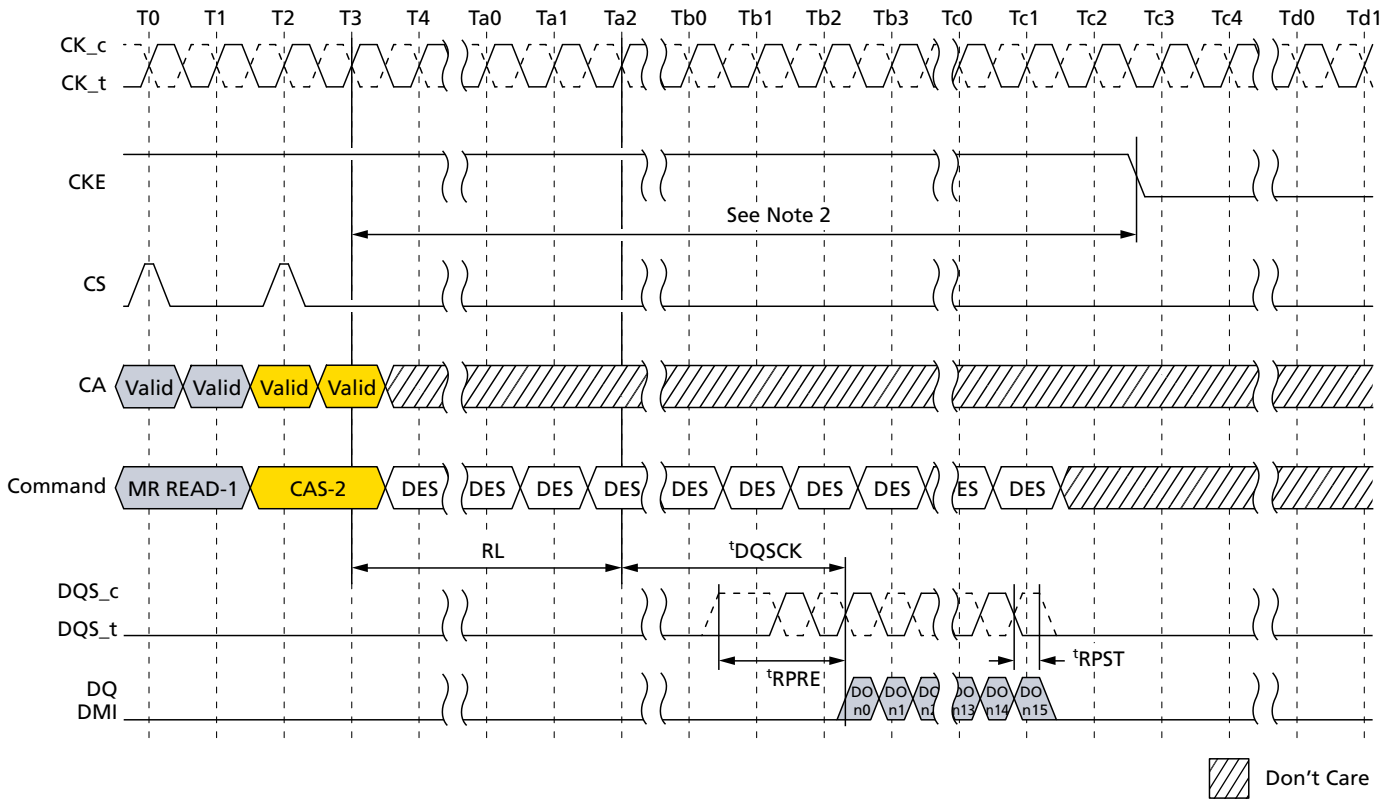
**Figure 157: PRECHARGE Command to Power-Down Entry**



Note: 1. CKE must be held HIGH until  $t_{CMDCKE}$  is satisfied.



Figure 158: Mode Register Read to Power-Down Entry



- Notes: 1. CKE must be held HIGH until the end of the burst operation.  
 2. Minimum delay time from MODE REGISTER READ command to falling edge of CKE signal is as follows:

When read postamble = 0.5nCK ( MR1 OP[7] = [0]),

$$(RL \times tCK) + tDQSCK(MAX) + ((BL/2) \times tCK) + 1tCK$$

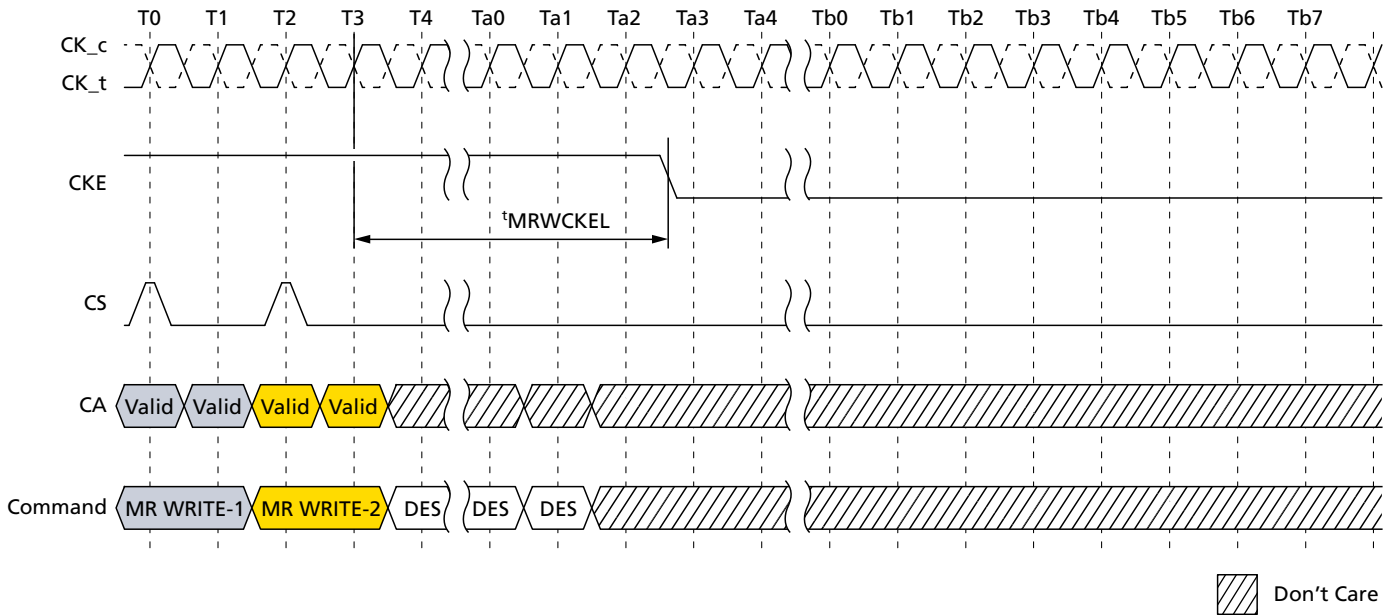
When read postamble = 1.5nCK (MR1 OP[7] = [1]),

$$(RL \times tCK) + tDQSCK(MAX) + ((BL/2) \times tCK) + 2tCK$$



# 149-Ball NAND Flash with LPDDR4/LPDDR4X MCP Power-Down Mode

**Figure 159: Mode Register Write to Power-Down Entry**

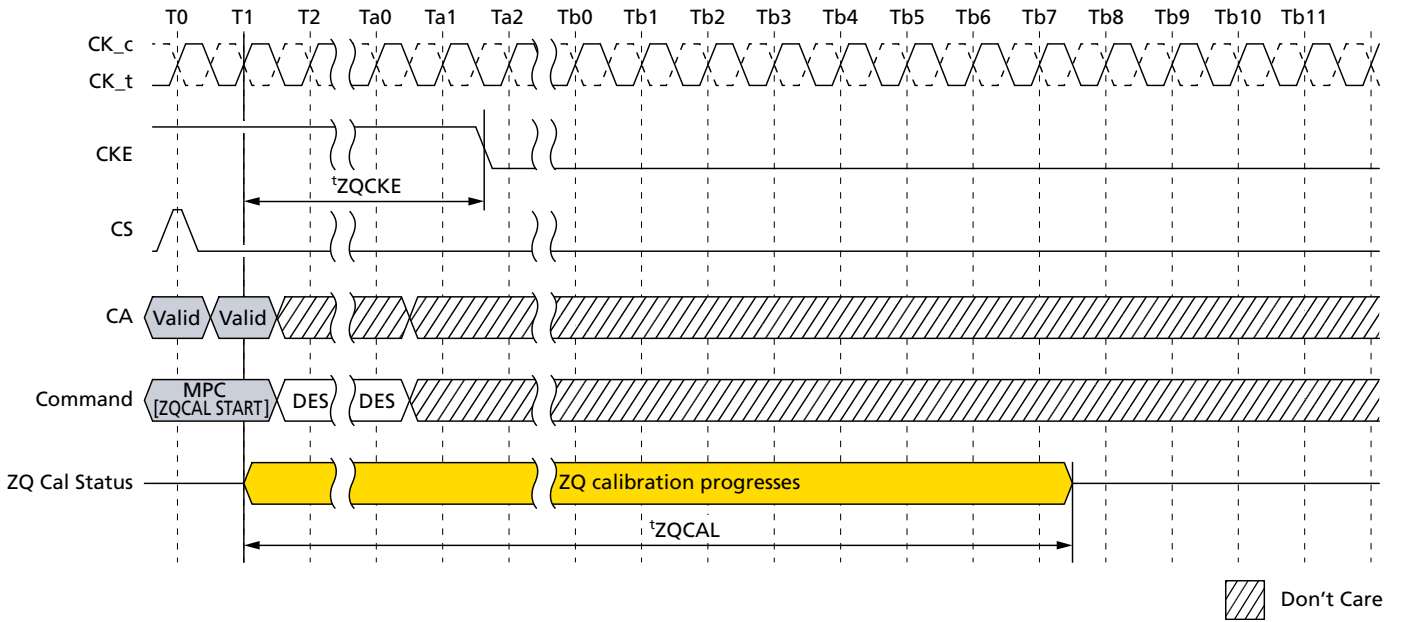


- Notes:
1. CKE must be held HIGH until  $t_{MRWCKEL}$  is satisfied.
  2. This timing is the general definition for power-down entry after MODE REGISTER WRITE command. When a MODE REGISTER WRITE command changes a parameter or starts an operation that requires special timing longer than  $t_{MRWCKEL}$ , that timing must be satisfied before CKE is driven LOW. Changing the  $V_{REF(DQ)}$  value is one example, in this case the appropriate  $t_{VREF-SHORT/MIDDLE/LONG}$  must be satisfied.



149-Ball NAND Flash with LPDDR4/LPDDR4X MCP Power-Down Mode

Figure 160: MULTI PURPOSE Command for ZQCAL Start to Power-Down Entry



Note: 1. ZQ calibration continues if CKE goes LOW after  $t^ZQCKE$  is satisfied.



## Input Clock Stop and Frequency Change

### Clock Frequency Change – CKE LOW

During CKE LOW, the device supports input clock frequency changes under the following conditions:

- $t_{CK(ABS)min}$  is met for each clock cycle
- Refresh requirements apply during clock frequency change
- During clock frequency change, only REFab or REFpb commands may be executing
- Any ACTIVATE or PRECHARGE commands have completed prior to changing the frequency
- Related timing conditions,  $t_{RCD}$  and  $t_{RP}$ , have been met prior to changing the frequency
- The initial clock frequency must be maintained for a minimum of  $t_{CKELCK}$  after CKE goes LOW
- The clock satisfies  $t_{CH(ABS)}$  and  $t_{CL(ABS)}$  for a minimum of  $t_{CKCKEH}$  prior to CKE going HIGH

After the input clock frequency changes and CKE is held HIGH, additional MRW commands may be required to set the WR, RL, and so forth. These settings may require adjustment to meet minimum timing requirements at the target clock frequency.

### Clock Stop – CKE LOW

During CKE LOW, the device supports clock stop under the following conditions:

- CK\_t and CK\_c are don't care during clock stop
- Refresh requirements apply during clock stop
- During clock stop, only REFab or REFpb commands may be executing
- Any ACTIVATE or PRECHARGE commands have completed prior to stopping the clock
- Related timing conditions,  $t_{RCD}$  and  $t_{RP}$ , have been met prior to stopping the clock
- The initial clock frequency must be maintained for a minimum of  $t_{CKELCK}$  after CKE goes LOW
- The clock satisfies  $t_{CH(ABS)}$  and  $t_{CL(ABS)}$  for a minimum of  $t_{CKCKEH}$  prior to CKE going HIGH

### Clock Frequency Change – CKE HIGH

During CKE HIGH, the device supports input clock frequency change under the following conditions:

- $t_{CK(ABS)min}$  is met for each clock cycle
- Refresh requirements apply during clock frequency change
- During clock frequency change, only REFab or REFpb commands may be executing
- Any ACTIVATE, READ, WRITE, PRECHARGE, MODE REGISTER WRITE, or MODE REGISTER READ commands (and any associated data bursts) have completed prior to changing the frequency
- Related timing conditions ( $t_{RCD}$ ,  $t_{WR}$ ,  $t_{RP}$ ,  $t_{MRW}$ , and  $t_{MRR}$ ) have been met prior to changing the frequency



## 149-Ball NAND Flash with LPDDR4/LPDDR4X MCP Input Clock Stop and Frequency Change

- During clock frequency change, CS is held LOW
- The device is ready for normal operation after the clock satisfies  $t_{CH}(abs)$  and  $t_{CL}(abs)$  for a minimum of  $2 \times t_{CK} + t_{XP}$

After the input clock frequency is changed, additional MRW commands may be required to set the WR, RL, and so forth. These settings may need to be adjusted to meet minimum timing requirements at the target clock frequency.

### Clock Stop – CKE HIGH

During CKE HIGH, the device supports clock stop under the following conditions:

- CK<sub>t</sub> is held LOW and CK<sub>c</sub> is held HIGH during clock stop
- During clock stop, CS is held LOW
- Refresh requirements apply during clock stop
- During clock stop, only REFab or REFpb commands may be executing
- Any ACTIVATE, READ, WRITE, MPC (WRITE-FIFO, READ-FIFO, READ DQ CALIBRATION), PRECHARGE, MODE REGISTER WRITE, or MODE REGISTER READ commands have completed, including any associated data bursts and extra 4 clock cycles must be provided prior to stopping the clock
- Related timing conditions ( $t_{RCD}$ ,  $t_{WR}$ ,  $t_{RP}$ ,  $t_{MRW}$ ,  $t_{MRR}$ ,  $t_{ZQLAT}$ , and so forth) have been met prior to stopping the clock
- READ with AUTO PRECHARGE and WRITE with AUTO PRECHARGE commands need extra 4 clock cycles in addition to the related timing constraints, nWR and nRTP, to complete the operations
- REFab, REFpb, SRE, SRX, and MPC[ZQCAL START] commands are required to have extra 4 clock cycles prior to stopping the clock
- The device is ready for normal operation after the clock is restarted and satisfies  $t_{CH}(abs)$  and  $t_{CL}(abs)$  for a minimum of  $2 \times t_{CK} + t_{XP}$



## MODE REGISTER READ Operation

The MODE REGISTER READ (MRR) command is used to read configuration and status data from the device registers. The MRR command is initiated with CS and CA[5:0] in the proper state as defined by the Command Truth Table. The mode register address operands (MA[5:0]) enable the user to select one of 64 registers. The mode register contents are available on the first four UI data bits of DQ[7:0] after  $RL \times {}^tCK + {}^tDQSCK + {}^tDQSQ$  following the MRR command. Subsequent data bits contain valid but undefined content. DQS is toggled for the duration of the MODE REGISTER READ burst. The MRR has a command burst length of 16. MRR operation must not be interrupted.

**Table 148: MRR**

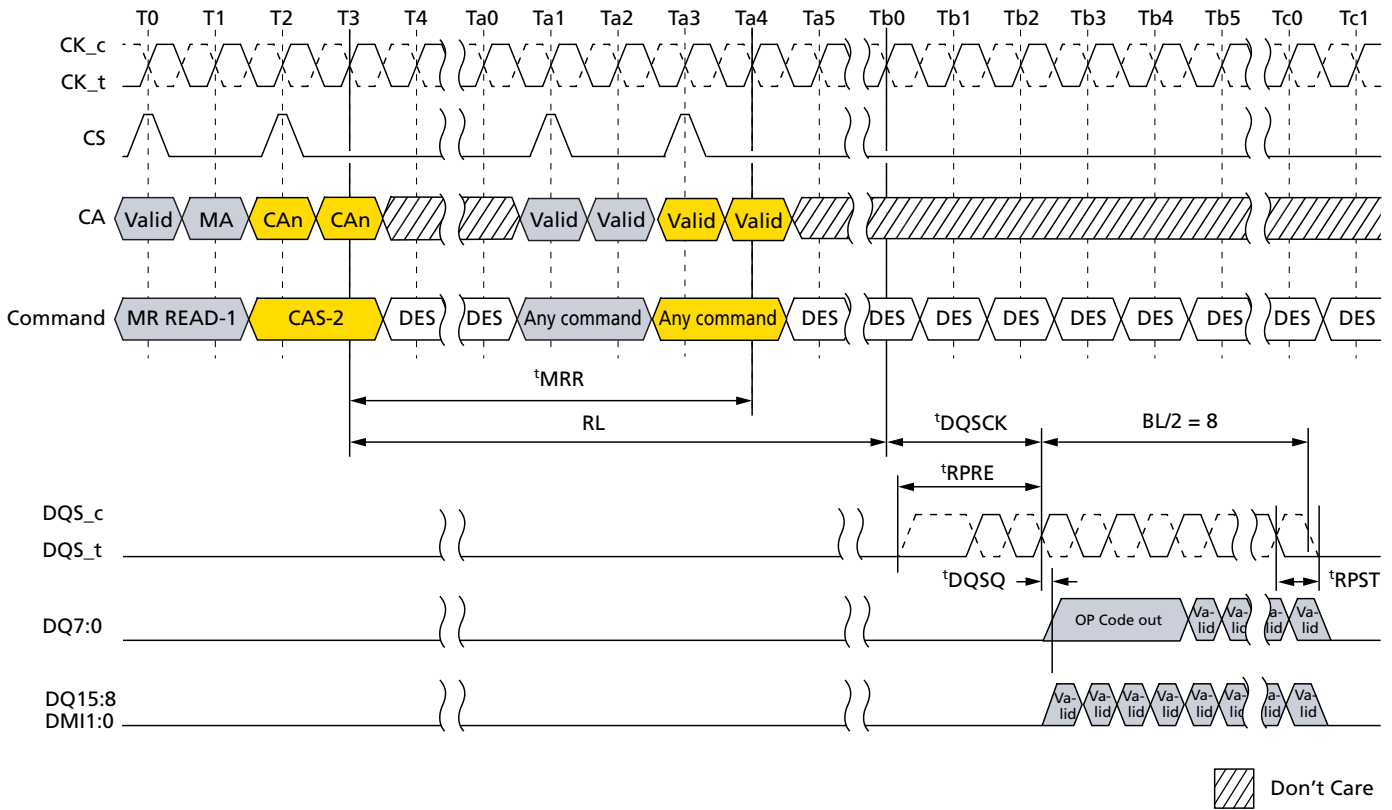
UI	0	1	2	3	4	5	6	7	8	9	10	11	12	13	14	15
DQ0	OP0			V												
DQ1	OP1			V												
DQ2	OP2			V												
DQ3	OP3			V												
DQ4	OP4			V												
DQ5	OP5			V												
DQ6	OP6			V												
DQ7	OP7			V												
DQ8– DQ15	V															
DMI0– DMI1	V															

- Notes:
1. MRR data are extended to the first 4 UIs, allowing the LPDRAM controller to sample data easily.
  2. DBI during MRR depends on mode register setting MR3 OP[6].
  3. The read preamble and postamble of MRR are the same as for a normal read.



# 149-Ball NAND Flash with LPDDR4/LPDDR4X MCP MODE REGISTER READ Operation

**Figure 161: MODE REGISTER READ Operation**



- Notes:
1. Only BL = 16 is supported.
  2. Only DESELECT is allowed during  $t^{MRR}$  period.
  3. There are some exceptions about issuing commands after  $t^{MRR}$ . Refer to MRR/MRW Timing Constraints Table for detail.
  4. DBI is disable mode.
  5. DES commands except  $t^{MRR}$  period are shown for ease of illustration; other commands may be valid at these times.
  6. DQ/DQS:  $V_{SSQ}$  termination

## MRR After a READ and WRITE Command

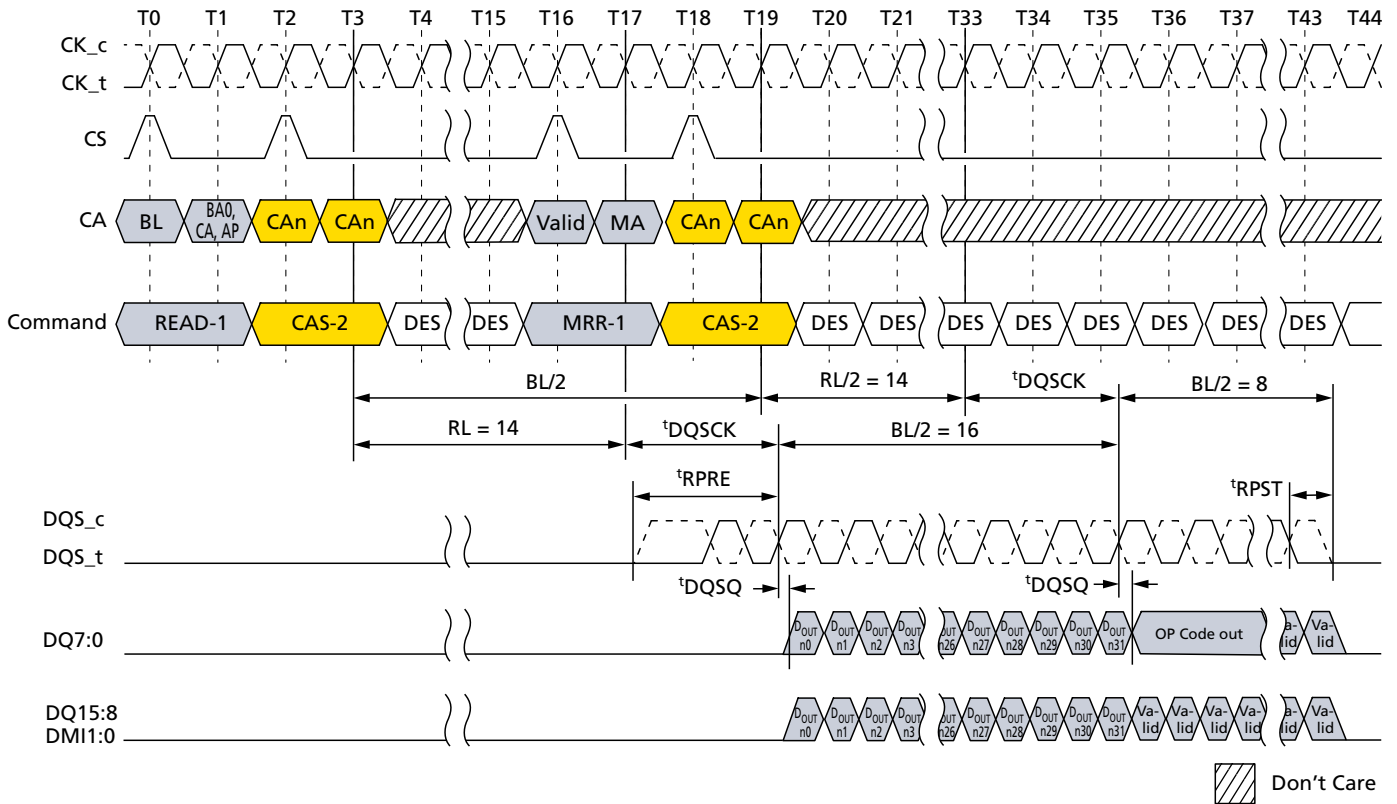
After a prior READ command, the MRR command must not be issued earlier than BL/2 clock cycles, in a similar way  $WL + BL/2 + 1 + RU(t^{WTR}/t^{CK})$  clock cycles after a PRIOR WRITE, WRITE with AP, MASK WRITE, MASK WRITE with AP, and MPC[WRITE-FIFO] command in order to avoid the collision of READ and WRITE burst data on device internal data bus.





# 149-Ball NAND Flash with LPDDR4/LPDDR4X MCP MODE REGISTER READ Operation

**Figure 162: READ-to-MRR Timing**

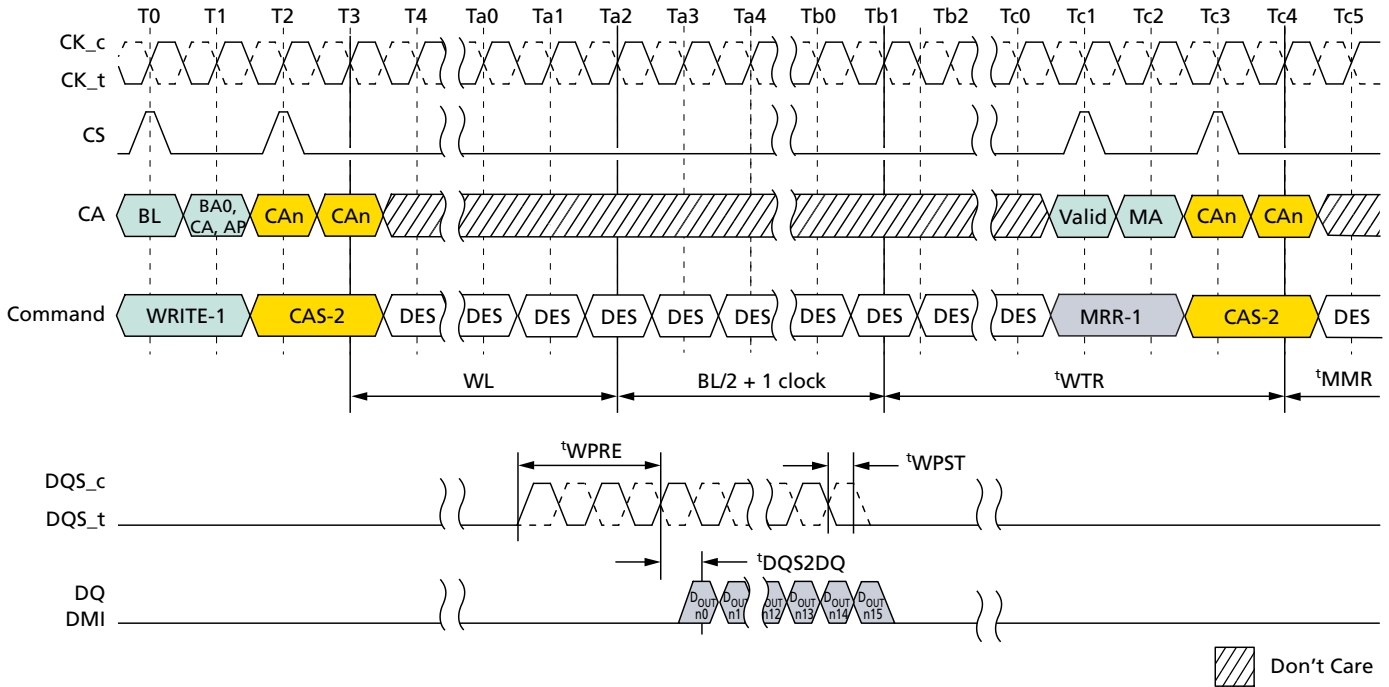


- Notes:
1. The minimum number of clock cycles from the burst READ command to the MRR command is  $BL/2$ .
  2. Read  $BL = 32$ , MRR  $BL = 16$ ,  $RL = 14$ , Preamble = Toggle, Postamble =  $0.5nCK$ , DBI = Disable, DQ/DQS:  $V_{SSQ}$  termination.
  3.  $D_{OUT} n$  = data-out to column  $n$ .
  4. DES commands except  $tMRR$  period are shown for ease of illustration; other commands may be valid at these times.



# 149-Ball NAND Flash with LPDDR4/LPDDR4X MCP MODE REGISTER READ Operation

**Figure 163: WRITE-to-MRR Timing**



- Notes:
1. Write BL = 16, Write postamble = 0.5nCK, DQ/DQS: V<sub>SSQ</sub> termination.
  2. Only DES is allowed during t<sub>MRR</sub> period.
  3. D<sub>OUT</sub> n = data-out to column n.
  4. The minimum number of clock cycles from the BURST WRITE command to MRR command is WL + BL/2 + 1 + RU(t<sub>WTR</sub>/t<sub>CK</sub>).
  5. t<sub>WTR</sub> starts at the rising edge of CK after the last latching edge of DQS.
  6. DES commands except t<sub>MRR</sub> period are shown for ease of illustration; other commands may be valid at these times.

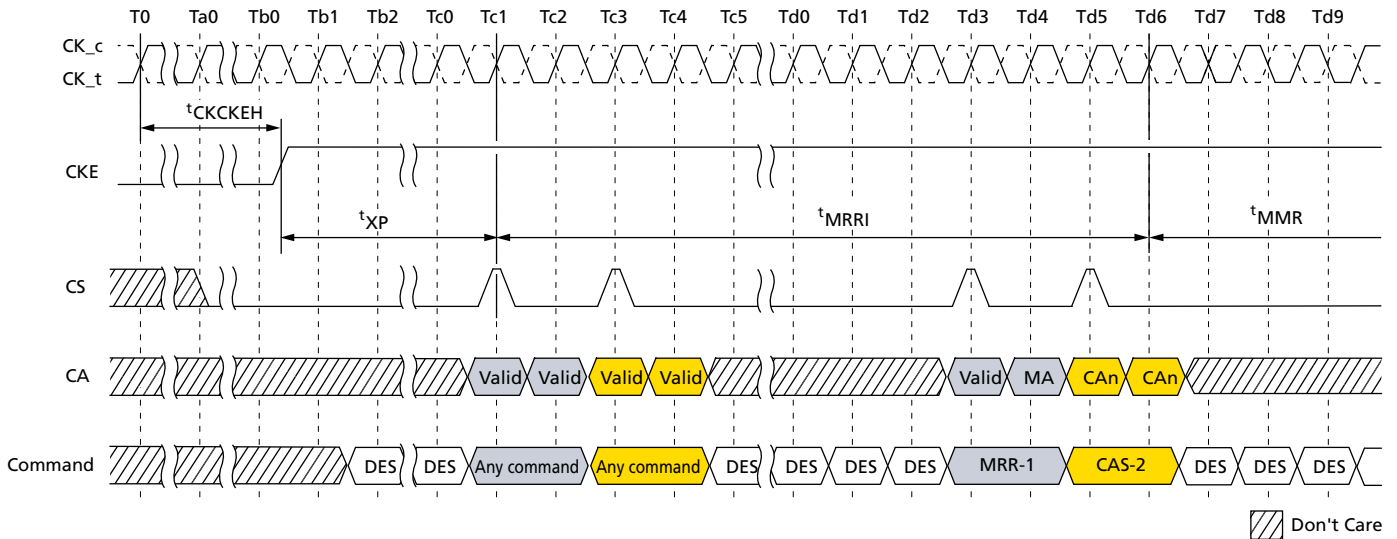
## MRR After Power-Down Exit

Following the power-down state, an additional time, t<sub>MRRI</sub>, is required prior to issuing the MODE REGISTER READ (MRR) command. This additional time (equivalent to t<sub>RCD</sub>) is required in order to maximize power-down current savings by allowing more power-up time for the MRR data path after exit from power-down mode.



# 149-Ball NAND Flash with LPDDR4/LPDDR4X MCP MODE REGISTER WRITE

**Figure 164: MRR Following Power-Down**

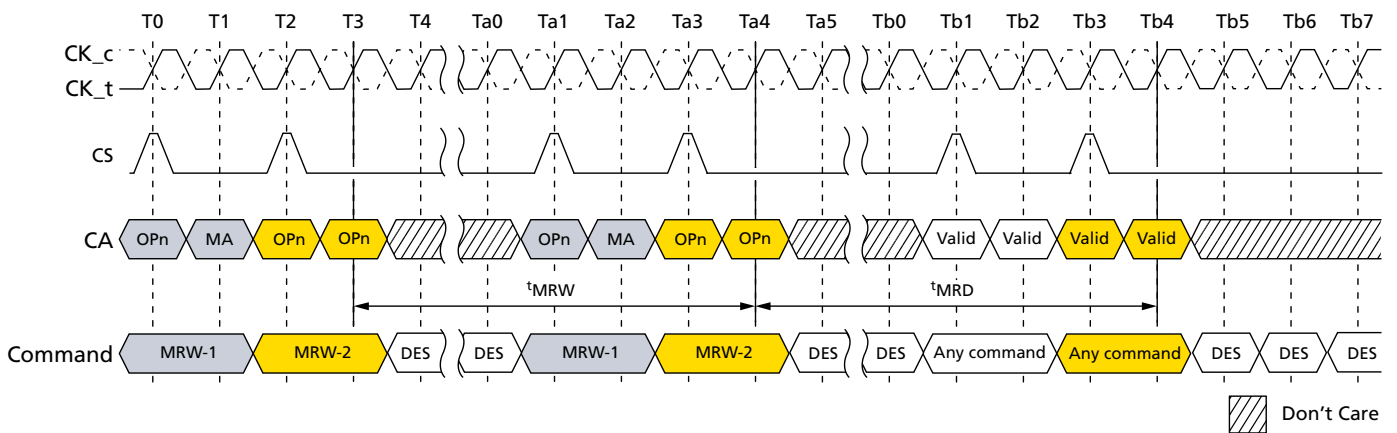


- Notes:
1. Only DES is allowed during  $t_{MRR}$  period.
  2. DES commands except  $t_{MRR}$  period are shown for ease of illustration; other commands may be valid at these times.

## MODE REGISTER WRITE

The MODE REGISTER WRITE (MRW) writes configuration data to the mode registers. The MRW command is initiated with CKE, CS, and CA[5:0] to valid levels at the rising edge of the clock. The mode register address and the data written to it is contained in CA[5:0] according to the Command Truth Table. The MRW command period is defined by  $t_{MRW}$ . Mode register WRITES to read-only registers have no impact on the functionality of the device.

**Figure 165: MODE REGISTER WRITE Timing**





## 149-Ball NAND Flash with LPDDR4/LPDDR4X MCP MODE REGISTER WRITE

### Mode Register Write States

MRW can be issued from either a bank-idle or a bank-active state. Certain restrictions may apply for MRW from an active state.

**Table 149: Truth Table for MRR and MRW**

Current State	Command	Intermediate State	Next State
All banks idle	MRR	Reading mode register, all banks idle	All banks idle
	MRW	Writing mode register, all banks idle	All banks idle
Bank(s) active	MRR	Reading mode register	Bank(s) active
	MRW	Writing mode register	Bank(s) active

**Table 150: MRR/MRW Timing Constraints: DQ ODT is Disable**

From Command	To Command	Minimum Delay Between "From Command" and "To Command"	Unit	Notes
MRR	MRR	$t^{\text{MRR}}$	–	
	RD/RDA	$t^{\text{MRR}}$	–	
	WR/WRA/MWR/MWRA	$RL + RU(t^{\text{DQSC}}(\text{MAX})/t^{\text{CK}}) + BL/2 - WL + t^{\text{WPRE}} + RD(t^{\text{RPST}})$	$n\text{CK}$	
	MRW	$RL + RU(t^{\text{DQSC}}(\text{MAX})/t^{\text{CK}}) + BL/2 + 3$	$n\text{CK}$	
RD/RDA	MRR	$BL/2$	$n\text{CK}$	
WR/WRA/MWR/MWRA		$WL + 1 + BL/2 + RU(t^{\text{WTR}}/t^{\text{CK}})$	$n\text{CK}$	
MRW		$t^{\text{MRD}}$	–	
POWER-DOWN EXIT		$t^{\text{XP}} + t^{\text{MRRI}}$	–	
MRW	RD/RDA	$t^{\text{MRD}}$	–	
	WR/WRA/MWR/MWRA	$t^{\text{MRD}}$	–	
	MRW	$t^{\text{MRW}}$	–	
RD/ RD-FIFO/ READ DQ CAL	MRW	$RL + BL/2 + RU(t^{\text{DQSC}}(\text{MAX})/t^{\text{CK}}) + RD(t^{\text{RPST}}) + \text{MAX}(RU(7.5\text{ns}/t^{\text{CK}}), 8n\text{CK})$	$n\text{CK}$	
RD with AUTO PRECHARGE		$RL + BL/2 + RU(t^{\text{DQSC}}(\text{MAX})/t^{\text{CK}}) + RD(t^{\text{RPST}}) + \text{MAX}(RU(7.5\text{ns}/t^{\text{CK}}), 8n\text{CK}) + n\text{RTP} - 8$	$n\text{CK}$	
WR/ MWR/ WR-FIFO		$WL + 1 + BL/2 + \text{MAX}(RU(7.5\text{ns}/t^{\text{CK}}), 8n\text{CK})$	$n\text{CK}$	
WR/MWR with AUTO PRE-CHARGE		$WL + 1 + BL/2 + \text{MAX}(RU(7.5\text{ns}/t^{\text{CK}}), 8n\text{CK}) + n\text{WR}$	$n\text{CK}$	



## 149-Ball NAND Flash with LPDDR4/LPDDR4X MCP V<sub>REF</sub> Current Generator (VRCG)

**Table 151: MRR/MRW Timing Constraints: DQ ODT is Enable**

From Command	To Command	Minimum Delay Between "From Command" and "To Command"	Unit	Notes
MRR	MRR	$t^{\text{MRR}}$	–	
	RD/RDA	$t^{\text{MRR}}$	–	
	WR/WRA/MWR/MWRA	$RL + RU(t^{\text{DQ}}SCK(\text{MAX})/t^{\text{CK}}) + BL/2 - ODTL_{\text{on}} - RD(t^{\text{ODT}}_{\text{on}}(\text{MIN})/t^{\text{CK}}) + RD(t^{\text{RPST}}) + 1$	nCK	
	MRW	$RL + RU(t^{\text{DQ}}SCK(\text{MAX})/t^{\text{CK}}) + BL/2 + 3$	nCK	
RD/RDA	MRR	$BL/2$	nCK	
WR/WRA/MWR/MWRA		$WL + 1 + BL/2 + RU(t^{\text{WTR}}/t^{\text{CK}})$	nCK	
MRW		$t^{\text{MRD}}$	–	
POWER-DOWN EXIT		$t^{\text{XP}} + t^{\text{MRR1}}$	–	
MRW	RD/RDA	$t^{\text{MRD}}$	–	
	WR/WRA/MWR/MWRA	$t^{\text{MRD}}$	–	
	MRW	$t^{\text{MRW}}$	–	
RD/ RD-FIFO/ READ DQ CAL	MRW	$RL + BL/2 + RU(t^{\text{DQ}}SCK(\text{MAX})/t^{\text{CK}}) + RD(t^{\text{RPST}}) + \text{MAX}(RU(7.5\text{ns}/t^{\text{CK}}), 8\text{nCK})$	nCK	
RD with AUTO PRECHARGE		$RL + BL/2 + RU(t^{\text{DQ}}SCK(\text{MAX})/t^{\text{CK}}) + RD(t^{\text{RPST}}) + \text{MAX}(RU(7.5\text{ns}/t^{\text{CK}}), 8\text{nCK}) + n\text{RTP} - 8$	nCK	
WR/ MWR/ WR-FIFO		$WL + 1 + BL/2 + \text{MAX}(RU(7.5\text{ns}/t^{\text{CK}}), 8\text{nCK})$	nCK	
WR/MWR with AUTO PRE-CHARGE		$WL + 1 + BL/2 + \text{MAX}(RU(7.5\text{ns}/t^{\text{CK}}), 8\text{nCK}) + n\text{WR}$	nCK	

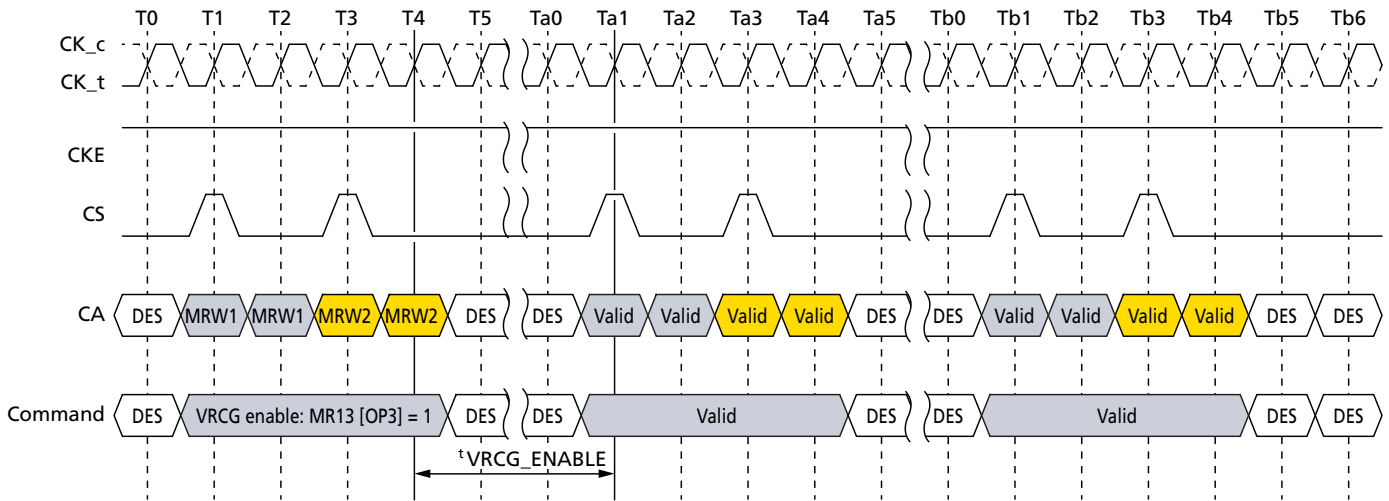
### V<sub>REF</sub> Current Generator (VRCG)

LPDDR4 SDRAM V<sub>REF</sub> current generators (VRCG) incorporate a high current mode to reduce the settling time of the internal V<sub>REF(DQ)</sub> and V<sub>REF(CA)</sub> levels during training and when changing frequency set points during operation. The high current mode is enabled by setting MR13[OP3] = 1. Only DESELECT commands may be issued until  $t^{\text{VRCG\_ENABLE}}$  is satisfied.  $t^{\text{VRCG\_ENABLE}}$  timing is shown below.



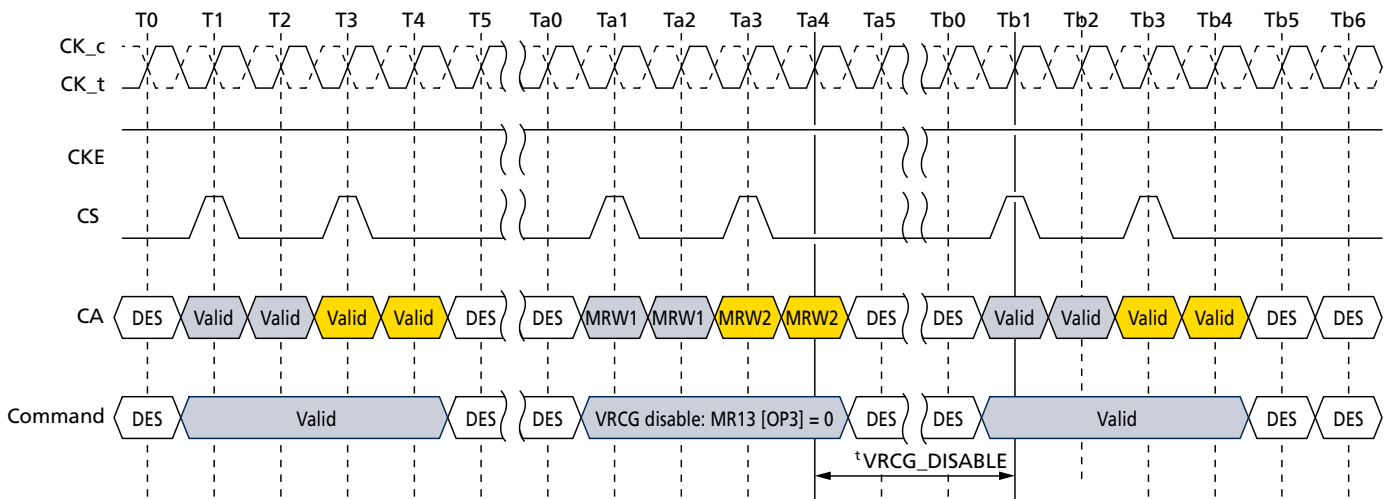
# 149-Ball NAND Flash with LPDDR4/LPDDR4X MCP V<sub>REF</sub> Current Generator (VRCG)

**Figure 166: VRCG Enable Timing**



VRCG high current mode is disabled by setting MR13[OP3] = 0. Only DESELECT commands may be issued until  $t^{\text{VRCG\_DISABLE}}$  is satisfied.  $t^{\text{VRCG\_DISABLE}}$  timing is shown below.

**Figure 167: VRCG Disable Timing**



Note that LPDDR4 SDRAM devices support  $V_{\text{FER(CA)}}$  and  $V_{\text{REF(DQ)}}$  range and value changes without enabling VRCG high current mode.

**Table 152: VRCG Enable/Disable Timing**

Parameter	Symbol	Min	Max	Unit
V <sub>REF</sub> high current mode enable time	$t^{\text{VRCG\_ENABLE}}$	–	200	ns
V <sub>REF</sub> high current mode disable time	$t^{\text{VRCG\_DISABLE}}$	–	100	ns



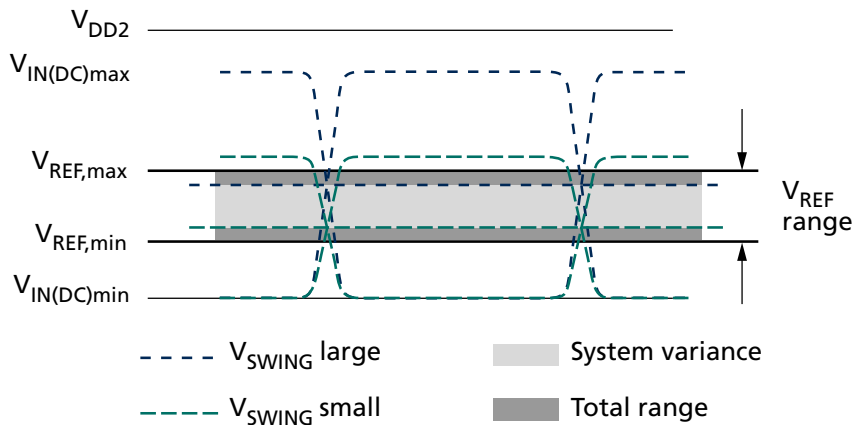
## V<sub>REF</sub> Training

### V<sub>REF(CA)</sub> Training

The device's internal V<sub>REF(CA)</sub> specification parameters are operating voltage range, step size, V<sub>REF</sub> step time, V<sub>REF</sub> full-range step time, and V<sub>REF</sub> valid level.

The voltage operating range specifies the minimum required V<sub>REF</sub> setting range for LPDDR4 devices. The minimum range is defined by V<sub>REF,max</sub> and V<sub>REF,min</sub>.

**Figure 168: V<sub>REF</sub> Operating Range (V<sub>REF,max</sub>, V<sub>REF,min</sub>)**



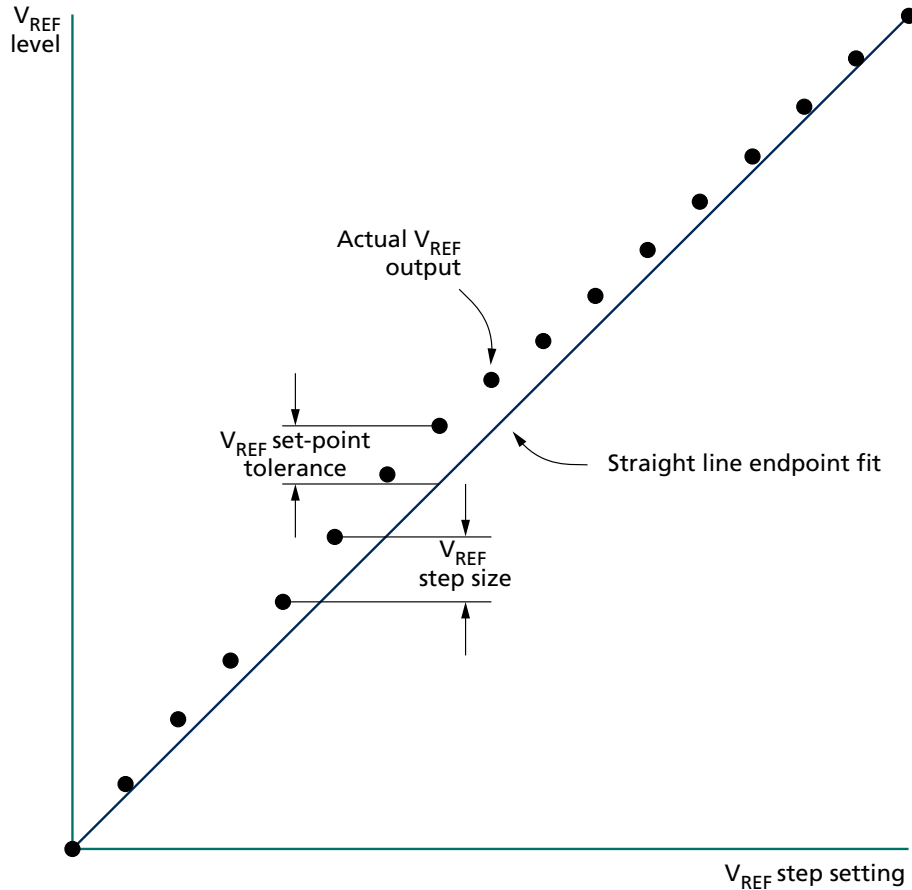
The V<sub>REF</sub> step size is defined as the step size between adjacent steps. However, for a given design, the device has one value for V<sub>REF</sub> step size that falls within the given range.

The V<sub>REF</sub> set tolerance is the variation in the V<sub>REF</sub> voltage from the ideal setting. This accounts for accumulated error over multiple steps. There are two ranges for V<sub>REF</sub> set tolerance uncertainty. The range of V<sub>REF</sub> set tolerance uncertainty is a function of the number of steps *n*.

The V<sub>REF</sub> set tolerance is measured with respect to the ideal line that is based on the two endpoints, where the endpoints are at the minimum and maximum V<sub>REF</sub> values for a specified range.



Figure 169: V<sub>REF</sub> Set-Point Tolerance and Step Size



The V<sub>REF</sub> increment/decrement step times are defined by <sup>t</sup>V<sub>REF</sub>\_TIME-SHORT, <sup>t</sup>V<sub>REF</sub>\_TIME-MIDDLE, and <sup>t</sup>V<sub>REF</sub>\_TIME-LONG. The parameters are defined from TS to TE as shown below, where TE is referenced to when the V<sub>REF</sub> voltage is at the final DC level within the V<sub>REF</sub> valid tolerance (V<sub>REF, val\_tol</sub>).

The V<sub>REF</sub> valid level is defined by V<sub>REF, val\_tol</sub> to qualify the step time TE (see the following figures). This parameter is used to ensure an adequate RC time constant behavior of the voltage level change after any V<sub>REF</sub> increment/decrement adjustment. This parameter is only applicable for LPDDR4 component level validation/characterization.

<sup>t</sup>V<sub>REF</sub>\_TIME-SHORT is for a single step size increment/decrement change in the V<sub>REF</sub> voltage.

<sup>t</sup>V<sub>REF</sub>\_TIME-MIDDLE is at least two stepsizes increment/decrement change within the same V<sub>REF(CA)</sub> range in V<sub>REF</sub> voltage.

<sup>t</sup>V<sub>REF</sub>\_TIME-LONG is the time including up to V<sub>REF, min</sub> to V<sub>REF, max</sub> or V<sub>REF, max</sub> to V<sub>REF, min</sub> change across the V<sub>REF(CA)</sub> range in V<sub>REF</sub> voltage.

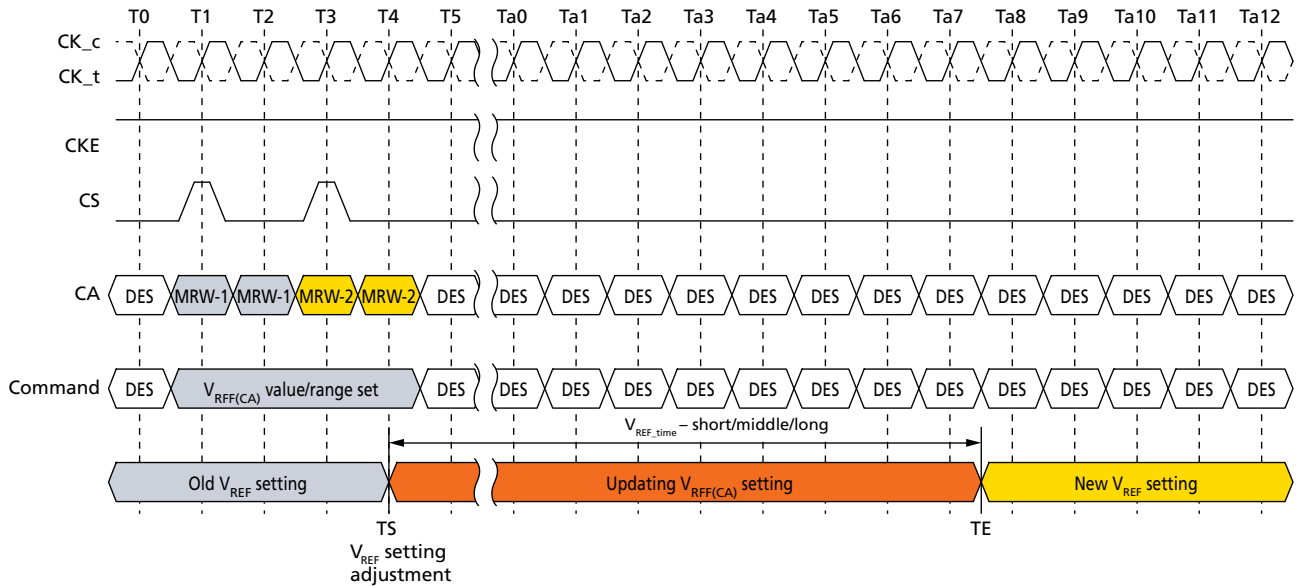
TS is referenced to MRW command clock.

TE is referenced to V<sub>REF, val\_tol</sub>.





Figure 170:  $t_{V_{ref}}$  for Short, Middle, and Long Timing Diagram



The MRW command to the mode register bits are as follows;

MR12 OP[5:0] : V<sub>REF(CA)</sub> Setting

MR12 OP[6] : V<sub>REF(CA)</sub> Range

The minimum time required between two V<sub>REF</sub> MRW commands is  $t_{V_{REF\_TIME\_SHORT}}$  for a single step and  $t_{V_{REF\_TIME\_MIDDLE}}$  for a full voltage range step.

Figure 171: V<sub>REF(CA)</sub> Single-Step Increment

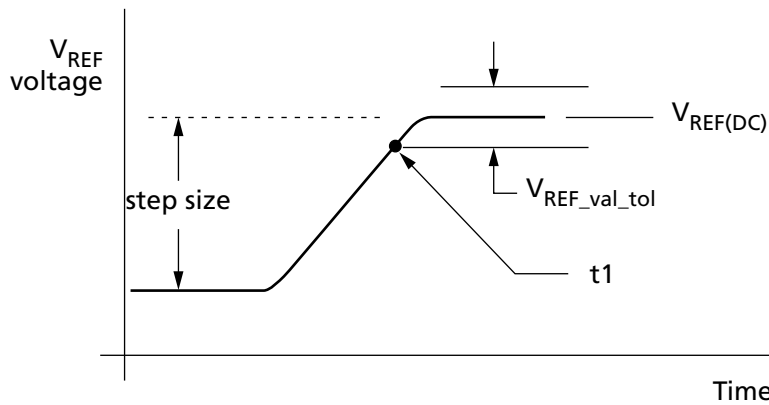




Figure 172: V<sub>REF(CA)</sub> Single-Step Decrement

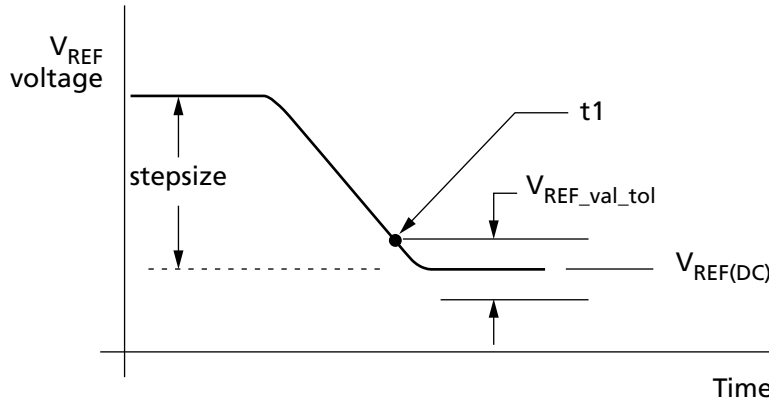


Figure 173: V<sub>REF(CA)</sub> Full Step from V<sub>REF,min</sub> to V<sub>REF,max</sub>

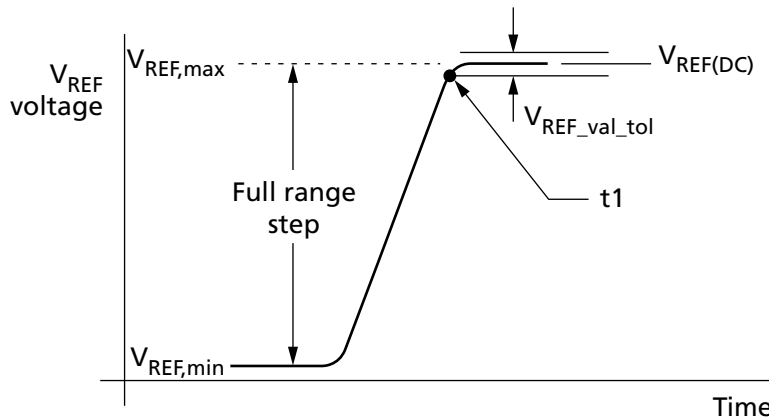
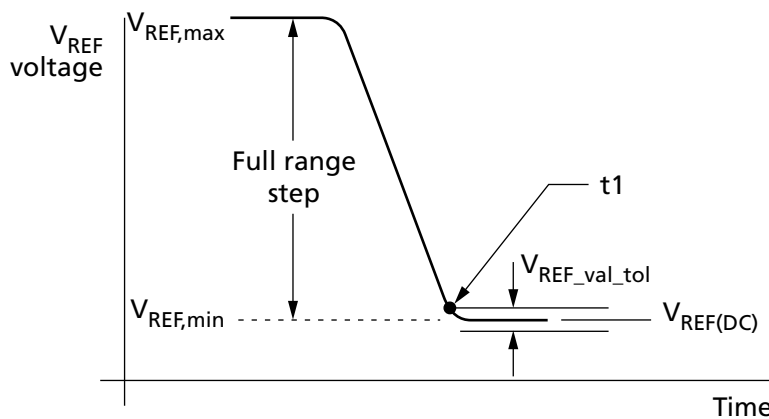


Figure 174: V<sub>REF(CA)</sub> Full Step from V<sub>REF,max</sub> to V<sub>REF,min</sub>



The following table contains the CA internal V<sub>REF</sub> specification that will be characterized at the component level for compliance.


**Table 153: Internal V<sub>REF(CA)</sub> Specifications**

Symbol	Parameter	Min	Typ	Max	Unit	Notes
V <sub>REF(CA),max_r0</sub>	V <sub>REF(CA)</sub> range-0 MAX operating point	–	–	44.9%	V <sub>DDQ</sub>	1, 11
V <sub>REF(CA),min_r0</sub>	V <sub>REF(CA)</sub> range-0 MIN operating point	15.0%	–	–	V <sub>DDQ</sub>	1, 11
V <sub>REF(CA),max_r1</sub>	V <sub>REF(CA)</sub> range-1 MAX operating point	–	–	62.9%	V <sub>DDQ</sub>	1, 11
V <sub>REF(CA),min_r1</sub>	V <sub>REF(CA)</sub> range-1 MIN operating point	32.9%	–	–	V <sub>DDQ</sub>	1, 11
V <sub>REF(CA),step</sub>	V <sub>REF(CA)</sub> step size	0.50%	0.60%	0.70%	V <sub>DDQ</sub>	2
V <sub>REF(CA),set_tol</sub>	V <sub>REF(CA)</sub> set tolerance	–11	0	11	mV	3, 4, 6
		–1.1	0	1.1	mV	3, 5, 7
t <sub>VREF_TIME-SHORT</sub>	V <sub>REF(CA)</sub> step time	–	–	100	ns	8
t <sub>VREF_TIME-MIDDLE</sub>		–	–	200	ns	12
t <sub>VREF_TIME-LONG</sub>		–	–	250	ns	9
t <sub>VREF_time_weak</sub>		–	–	1	ms	13, 14
V <sub>REF(CA)_val_tol</sub>	V <sub>REF(CA)</sub> valid tolerance	–0.10%	0.00%	0.10%	V <sub>DDQ</sub>	10

- Notes:
1. V<sub>REF(CA)</sub> DC voltage referenced to V<sub>DDQ(DC)</sub>.
  2. V<sub>REF(CA)</sub> step size increment/decrement range. V<sub>REF(CA)</sub> at DC level.
  3.  $V_{REF(CA),new} = V_{REF(CA),old} + n \times V_{REF(CA),step}$ ; n = number of steps; if increment, use "+"; if decrement, use "-".
  4. The minimum value of V<sub>REF(CA)</sub> setting tolerance = V<sub>REF(CA),new</sub> - 11mV. The maximum value of V<sub>REF(CA)</sub> setting tolerance = V<sub>REF(CA),new</sub> + 11mV. For n > 4.
  5. The minimum value of V<sub>REF(CA)</sub> setting tolerance = V<sub>REF(CA),new</sub> - 1.1mV. The maximum value of V<sub>REF(CA)</sub> setting tolerance = V<sub>REF(CA),new</sub> + 1.1mV. For n ≤ 4.
  6. Measured by recording the minimum and maximum values of the V<sub>REF(CA)</sub> output over the range, drawing a straight line between those points and comparing all other V<sub>REF(CA)</sub> output settings to that line.
  7. Measured by recording the minimum and maximum values of the V<sub>REF(CA)</sub> output across four consecutive steps (n = 4), drawing a straight line between those points and comparing all other V<sub>REF(CA)</sub> output settings to that line.
  8. Time from MRW command to increment or decrement one step size for V<sub>REF(CA)</sub>.
  9. Time from MRW command to increment or decrement V<sub>REF,min</sub> to V<sub>REF,max</sub> or V<sub>REF,max</sub> to V<sub>REF,min</sub> change across the V<sub>REF(CA)</sub> range in V<sub>REF</sub> voltage.
  10. Only applicable for DRAM component level test/characterization purposes. Not applicable for normal mode of operation. V<sub>REF</sub> valid is to qualify the step times which will be characterized at the component level.
  11. DRAM range-0 or range-1 set by MR12 OP[6].
  12. Time from MRW command to increment or decrement more than one step size up to a full range of V<sub>REF</sub> voltage within the same V<sub>REF(CA)</sub> range.
  13. Applies when VRCG high current mode is not enabled, specified by MR13 [OP3] = 0b.
  14. t<sub>VREF\_time\_weak</sub> covers all V<sub>REF(CA)</sub> range and value change conditions are applied to t<sub>VREF\_TIME-SHORT/MIDDLE/LONG</sub>.

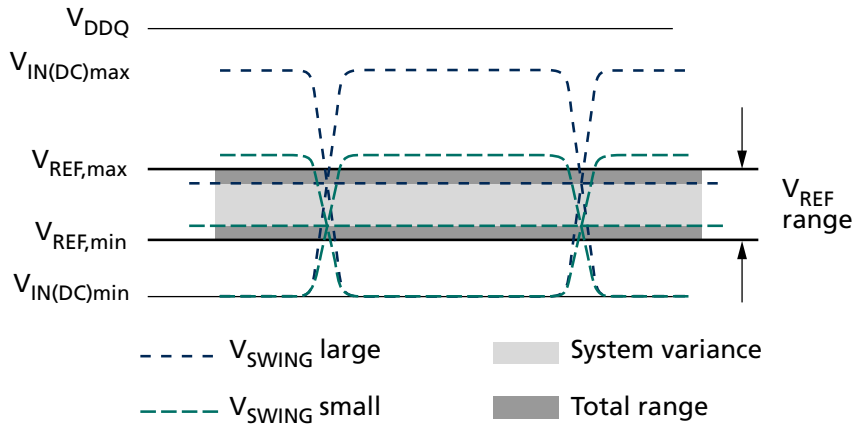


### V<sub>REF(DQ)</sub> Training

The device's internal V<sub>REF(DQ)</sub> specification parameters are operating voltage range, step size, V<sub>REF</sub> step tolerance, V<sub>REF</sub> step time and V<sub>REF</sub> valid level.

The voltage operating range specifies the minimum required V<sub>REF</sub> setting range for LPDDR4 devices. The minimum range is defined by V<sub>REF,max</sub> and V<sub>REF,min</sub>.

**Figure 175: V<sub>REF</sub> Operating Range (V<sub>REF,max</sub>, V<sub>REF,min</sub>)**



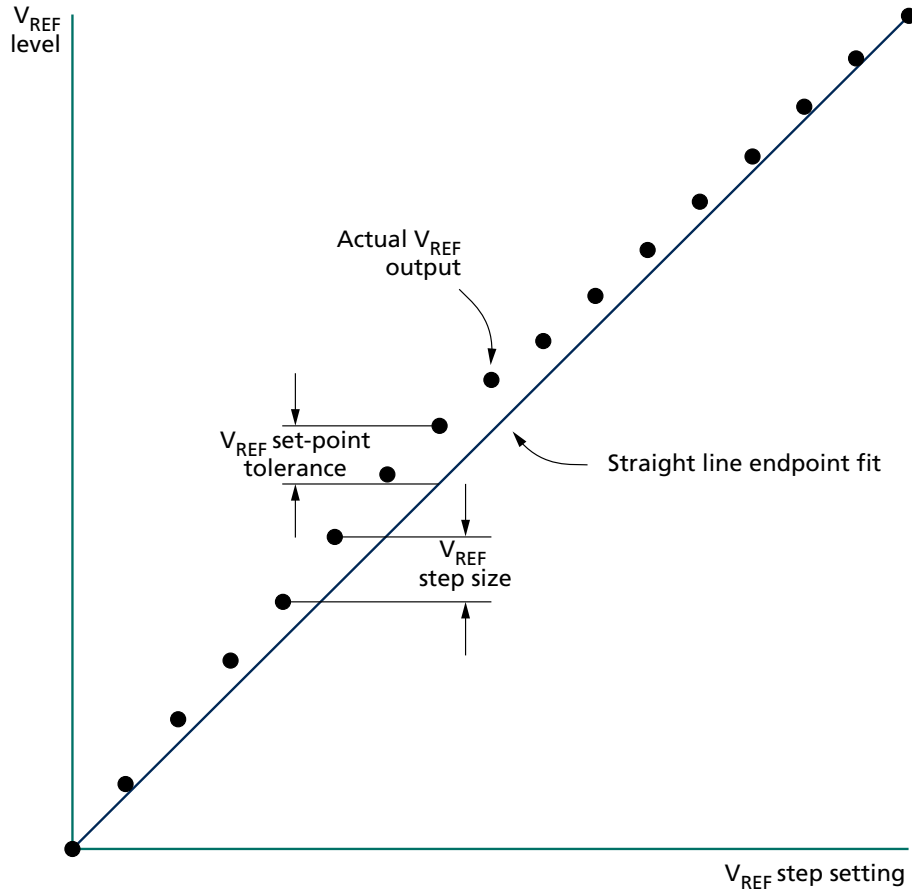
The V<sub>REF</sub> step size is defined as the step size between adjacent steps. However, for a given design, the device has one value for V<sub>REF</sub> step size that falls within the given range.

The V<sub>REF</sub> set tolerance is the variation in the V<sub>REF</sub> voltage from the ideal setting. This accounts for accumulated error over multiple steps. There are two ranges for V<sub>REF</sub> set tolerance uncertainty. The range of V<sub>REF</sub> set tolerance uncertainty is a function of the number of steps *n*.

The V<sub>REF</sub> set tolerance is measured with respect to the ideal line that is based on the two endpoints, where the endpoints are at the minimum and maximum V<sub>REF</sub> values for a specified range.



Figure 176: V<sub>REF</sub> Set Tolerance and Step Size



The V<sub>REF</sub> increment/decrement step times are defined by <sup>t</sup>V<sub>REF</sub>\_TIME-SHORT, <sup>t</sup>V<sub>REF</sub>\_TIME-MIDDLE and <sup>t</sup>V<sub>REF</sub>\_TIME-LONG. The <sup>t</sup>V<sub>REF</sub>\_TIME-SHORT, <sup>t</sup>V<sub>REF</sub>\_TIME-MIDDLE and <sup>t</sup>V<sub>REF</sub>\_TIME-LONG times are defined from TS to TE in the following figure where TE is referenced to when the V<sub>REF</sub> voltage is at the final DC level within the V<sub>REF</sub> valid tolerance (V<sub>REFVAL\_TOL</sub>).

The V<sub>REF</sub> valid level is defined by V<sub>REFVAL\_TOL</sub> to qualify the step time TE (see the figure below). This parameter is used to ensure an adequate RC time constant behavior of the voltage level change after any V<sub>REF</sub> increment/decrement adjustment. This parameter is only applicable for DRAM component level validation/characterization.

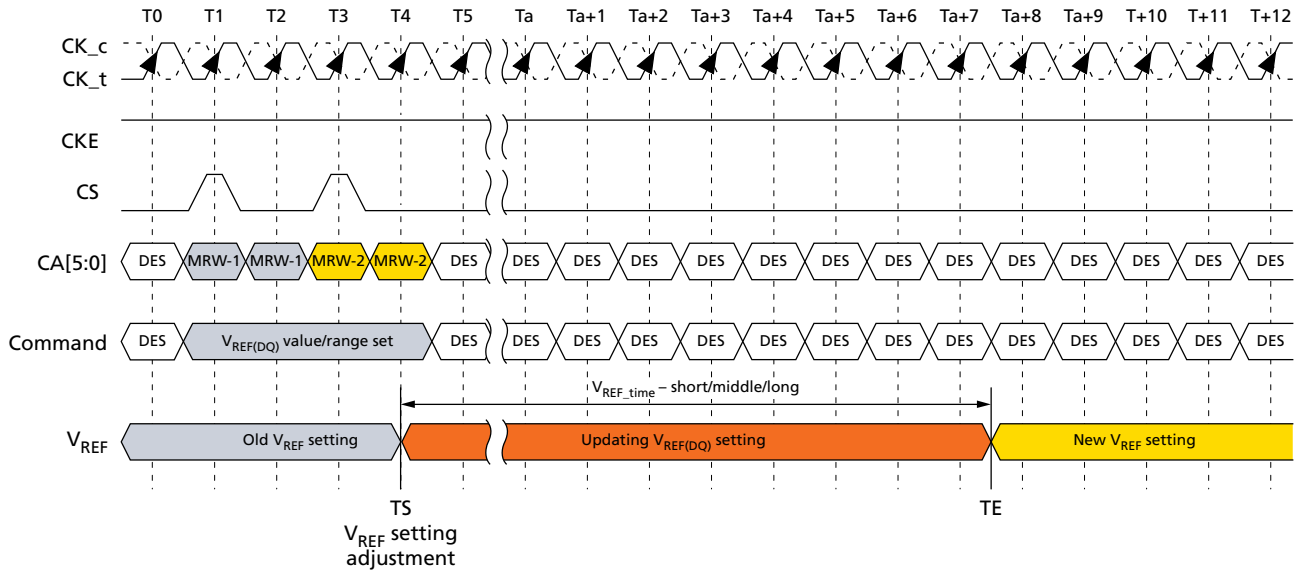
<sup>t</sup>V<sub>REF</sub>\_TIME-SHORT is for a single step size increment/decrement change in the V<sub>REF</sub> voltage.

<sup>t</sup>V<sub>REF</sub>\_TIME-MIDDLE is at least two step sizes of increment/decrement change in the V<sub>REF(DQ)</sub> range in the V<sub>REF</sub> voltage.

<sup>t</sup>V<sub>REF</sub>\_TIME-LONG is the time including and up to the full range of V<sub>REF</sub> (MIN to MAX or MAX to MIN) across the V<sub>REF(DQ)</sub> range in V<sub>REF</sub> voltage.



Figure 177: V<sub>REF(DQ)</sub> Transition Time for Short, Middle, or Long Changes



- Notes: 1. TS is referenced to MRW command clock.
- 2. TE is referenced to V<sub>REF,VAL\_TOL</sub>.

The MRW command to the mode register bits are defined as:

MR14 OP[5:0]: V<sub>REF(DQ)</sub> setting

MR14 OP[6]: V<sub>REF(DQ)</sub> range

The minimum time required between two V<sub>REF</sub> MRW commands is t<sub>VREF\_TIME-SHORT</sub> for a single step and t<sub>VREF\_TIME-MIDDLE</sub> for a full voltage range step.

Figure 178: V<sub>REF(DQ)</sub> Single-Step Size Increment

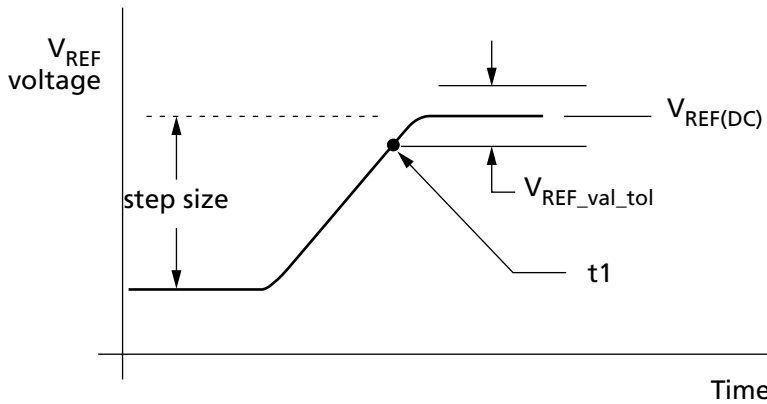




Figure 179: V<sub>REF(DQ)</sub> Single-Step Size Decrement

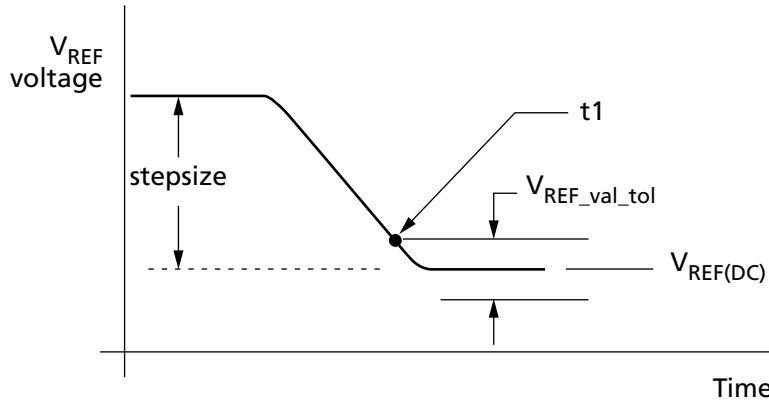


Figure 180: V<sub>REF(DQ)</sub> Full Step from V<sub>REF,min</sub> to V<sub>REF,max</sub>

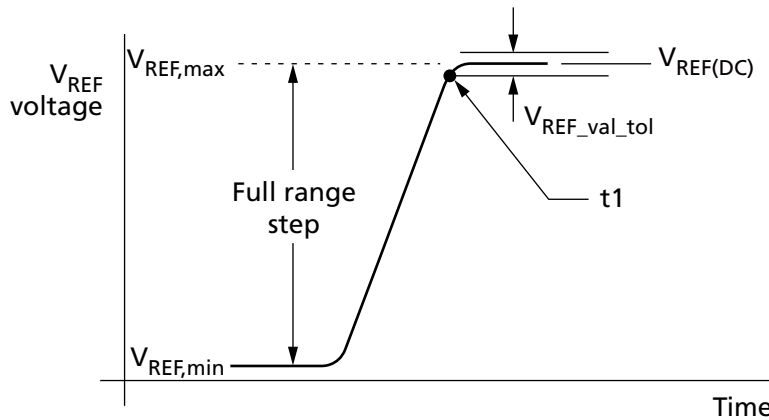
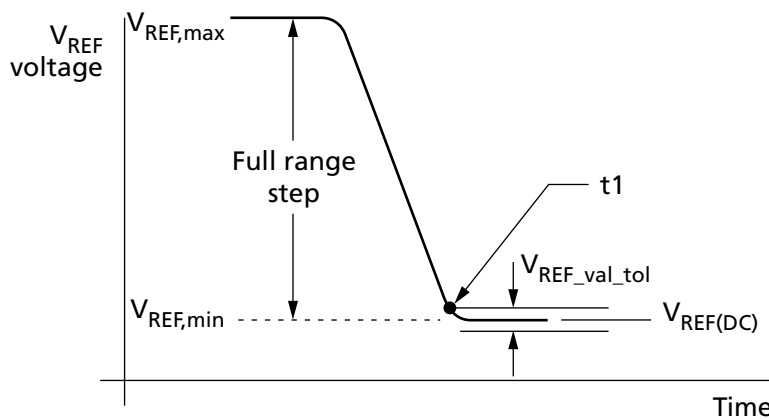


Figure 181: V<sub>REF(DQ)</sub> Full Step from V<sub>REF,max</sub> to V<sub>REF,min</sub>



The following table contains the DQ internal V<sub>REF</sub> specification that will be characterized at the component level for compliance.


**Table 154: Internal V<sub>REF(DQ)</sub> Specifications**

Symbol	Parameter	Min	Typ	Max	Unit	Notes
V <sub>REF(DQ),max_r0</sub>	V <sub>REF</sub> MAX operating point Range-0	–	–	44.9%	V <sub>DDQ</sub>	1, 11
V <sub>REF(DQ),min_r0</sub>	V <sub>REF</sub> MIN operating point Range-0	15.0%	–	–	V <sub>DDQ</sub>	1, 11
V <sub>REF(DQ),max_r1</sub>	V <sub>REF</sub> MAX operating point Range-1	–	–	62.9%	V <sub>DDQ</sub>	1, 11
V <sub>REF(DQ),min_r1</sub>	V <sub>REF</sub> MIN operating point Range-1	32.9%	–	–	V <sub>DDQ</sub>	1, 11
V <sub>REF(DQ),step</sub>	V <sub>REF(DQ)</sub> step size	0.50%	0.60%	0.70%	V <sub>DDQ</sub>	2
V <sub>REF(DQ),set_tol</sub>	V <sub>REF(DQ)</sub> set tolerance	–11	0	11	mV	3, 4, 6
		–1.1	0	1.1	mV	3, 5, 7
t <sub>V<sub>REF</sub>_TIME-SHORT</sub>	V <sub>REF(DQ)</sub> step time	–	–	100	ns	8
t <sub>V<sub>REF</sub>_TIME-MIDDLE</sub>		–	–	200	ns	12
t <sub>V<sub>REF</sub>_TIME-LONG</sub>		–	–	250	ns	9
t <sub>V<sub>REF</sub>_time_weak</sub>		–	–	1	ms	13, 14
V <sub>REF(DQ),val_tol</sub>	V <sub>REF(DQ)</sub> valid tolerance	–0.10%	0.00%	0.10%	V <sub>DDQ</sub>	10

- Notes:
1. V<sub>REF(DQ)</sub> DC voltage referenced to V<sub>DDQ(DC)</sub>.
  2. V<sub>REF(DQ)</sub> step size increment/decrement range. V<sub>REF(DQ)</sub> at DC level.
  3.  $V_{REF(DQ),new} = V_{REF(DQ),old} + n \times V_{REF(DQ),step}$ ; n = number of steps; if increment, use "+"; if decrement, use "-".
  4. The minimum value of V<sub>REF(DQ)</sub> setting tolerance = V<sub>REF(DQ),new</sub> - 11mV. The maximum value of V<sub>REF(DQ)</sub> setting tolerance = V<sub>REF(DQ),new</sub> + 11mV. For n > 4.
  5. The minimum value of V<sub>REF(DQ)</sub> setting tolerance = V<sub>REF(DQ),new</sub> - 1.1mV. The maximum value of V<sub>REF(DQ)</sub> setting tolerance = V<sub>REF(DQ),new</sub> + 1.1mV. For n ≤ 4.
  6. Measured by recording the minimum and maximum values of the V<sub>REF(DQ)</sub> output over the range, drawing a straight line between those points and comparing all other V<sub>REF(DQ)</sub> output settings to that line.
  7. Measured by recording the minimum and maximum values of the V<sub>REF(DQ)</sub> output across four consecutive steps (n = 4), drawing a straight line between those points and comparing all other V<sub>REF(DQ)</sub> output settings to that line.
  8. Time from MRW command to increment or decrement one step size for V<sub>REF(DQ)</sub>.
  9. Time from MRW command to increment or decrement V<sub>REF,min</sub> to V<sub>REF,max</sub> or V<sub>REF,max</sub> to V<sub>REF,min</sub> change across the V<sub>REF(DQ)</sub> Range in V<sub>REF(DQ)</sub> Voltage.
  10. Only applicable for DRAM component level test/characterization purposes. Not applicable for normal mode of operation. V<sub>REF</sub> valid is to qualify the step times which will be characterized at the component level.
  11. DRAM range-0 or range-1 set by MR14 OP[6].
  12. Time from MRW command to increment or decrement more than one step size up to a full range of V<sub>REF</sub> voltage within the same V<sub>REF(DQ)</sub> range.
  13. Applies when VRCG high current mode is not enabled, specified by MR13 [OP3] = 0.
  14. t<sub>V<sub>REF</sub>\_time\_weak</sub> covers all V<sub>REF(DQ)</sub> Range and Value change conditions are applied to t<sub>V<sub>REF</sub>\_TIME-SHOR/MIDDLE/LONG</sub>.





## Command Bus Training

### Command Bus Training Mode

The command bus must be trained before enabling termination for high-frequency operation. The device provides an internal  $V_{REF(CA)}$  that defaults to a level suitable for un-terminated, low-frequency operation, but the  $V_{REF(CA)}$  must be trained to achieve suitable receiver voltage margin for terminated, high-frequency operation.

The training mode described here centers the internal  $V_{REF(CA)}$  in the CA data eye and at the same time allows for timing adjustments of the CS and CA signals to meet setup/hold requirements. Because it can be difficult to capture commands prior to training the CA inputs, the training mode described here uses a minimum of external commands to enter, train, and exit the CA bus training mode.

The die has a bond-pad (ODT\_CA) but ODT\_CA pin is ignored by LPDDR4X devices. CA ODT is fully controlled through MR11 and MR22. See On-Die Termination for more information.

The device uses frequency set points to enable multiple operating settings for the die. The device defaults to FSP-OP[0] at power-up, which has the default settings to operate in un-terminated, low-frequency environments. Prior to training, the termination should be enabled for one die in each channel by setting MR13 OP[6] = 1b (FSP-WR[1]) and setting all other mode register bits for FSP-OP[1] to the desired settings for high-frequency operation. Upon training entry, the device will automatically switch to FSP-OP[1] and use the high-frequency settings during training (See the Command Bus Training Entry Timing figure for more information on FSP-OP register sets). Upon training exit, the device will automatically switch back to FSP-OP[0], returning to a "known-good" state for un-terminated, low-frequency operation.

To enter command bus training mode, issue a MRW-1 command followed by a MRW-2 command to set MR13 OP[0] = 1b (command bus training mode enabled).

After time  $t_{MRD}$ , CKE may be set LOW, causing the device to switch to FSP-OP[1], and completing the entry into command bus training mode.

A status DQS\_t, DQS\_c, DQ, and DMI are as noted below; the DQ ODT state will be followed by FREQUENCY SET POINT function except in the case of output pins.

- DQS\_t[0], DQS\_c[0] become input pins for capturing DQ[6:0] levels by toggling.
- DQ[5:0] become input pins for setting  $V_{REF(CA)}$  level.
- DQ[6] becomes an input pin for setting  $V_{REF(CA)}$  range.
- DQ[7] and DMI[0] become input pins, and their input level is valid or floating.
- DQ[13:8] become output pins to feedback, capturing value via the command bus using the CS signal.
- DQS\_t[1], DQS\_c[1], DMI[1], and DQ[15:14] become output pins or are disabled, meaning the device may be driven to a valid level or may be left floating.

At time  $t_{CAENT}$  later, the device may change its  $V_{REF(CA)}$  range and value using input signals DQS\_t[0], DQS\_c[0], and DQ[6:0] from existing value that is set via MR12 OP[6:0]. The mapping between MR12 OP code and DQs is shown below. At least one  $V_{REF(CA)}$  setting is required before proceeding to the next training step.


**Table 155: Mapping MR12 Op Code and DQ Numbers**

	Mapping						
MR12 OP code	OP6	OP5	OP4	OP3	OP2	OP1	OP0
DQ number	DQ6	DQ5	DQ4	DQ3	DQ2	DQ1	DQ0

The new  $V_{REF(CA)}$  value must "settle" for time  $t_{VREFCA\_Long}$  before attempting to latch CA information.

**Note:** If DQ ODT is enabled in MR11-OP[2:0], then the SDRAM will terminate the DQ lanes during command bus training when entering  $V_{REF(CA)}$  range and values on DQ[6:0].

To verify that the receiver has the correct  $V_{REF(CA)}$  setting, and to further train the CA eye relative to clock (CK), values latched at the receiver on the CA bus are asynchronously output to the DQ bus.

To exit command bus training mode, drive CKE HIGH, and after time  $t_{VREFCA\_Long}$ , issue the MRW-1 command followed by the MRW-2 command to set MR13 OP[0] = 0b. After time  $t_{MRW}$ , the device is ready for normal operation. After training exit, the device will automatically switch back to the FSP-OP registers that were in use prior to training.

Command bus training (CBT) may be executed from the idle or self refresh state. When executing CBT within the self refresh state, the device must not be in a power-down state (for example, CKE must be HIGH prior to training entry). CBT entry and exit is the same, regardless of the state from which CBT is initiated.

## Training Sequence for Single-Rank Systems

The sequence example shown here assumes an initial low-frequency, non-terminating operating point training a high-frequency, terminating operating point. The **bold text** shows high-frequency instructions. Any operating point may be trained from any known good operating point.

1. Set MR13 OP[6] = 1b to enable writing to frequency set point 1 (FSP-WR[1]) (or FSP-OP[0]).
2. Write FSP-WR[1] (or FSP-WR[0]) registers for all channels to set up high-frequency operating parameters.
3. Issue MRW-1 and MRW-2 commands to enter command bus training mode.
4. Drive CKE LOW, **and change CK frequency to the high-frequency operating point.**
5. **Perform command bus training ( $V_{REF(CA)}$ , CS, and CA).**
6. **Exit training by driving CKE HIGH**, change CK frequency to the low-frequency operating point, and issue MRW-1 and MRW-2 commands. When CKE is driven HIGH, the device will automatically switch back to the FSP-OP registers that were in use prior to training (trained values are not retained).
7. Write the trained values to FSP-WR[1] (or FSP-WR[0]) by issuing MRW-1 and MRW-2 commands to the SDRAM and setting all applicable mode register parameters.
8. Issue MRW-1 and MRW-2 commands to switch the terminating rank to FSP-OP[1] (or FSP-OP[0]), to turn on termination, **and change CK frequency to the high-frequency operating point. At this point the command bus is trained and you may proceed to other training or normal operation.**



## Training Sequence for Multiple-Rank Systems

The sequence example shown here is assuming an initial low-frequency operating point, training a high-frequency operating point. The **bold text** shows high-frequency instructions. Any operating point may be trained from any known good operating point.

1. Set MR13 OP[6] = 1b to enable writing to frequency set point 1 (FSP-WR[1]) (or FSP-WR[0]).
2. Write FSP-WR[1] (or FSP-WR[0]) registers for all channels and ranks to set up high-frequency operating parameters.
3. Read MR0 OP[7] on all channels and ranks to determine which die are terminating, signified by MR0 OP[7] = 1b.
4. Issue MRW-1 and MRW-2 commands to enter command bus training mode on the terminating rank.
5. Drive CKE LOW on the terminating rank (or all ranks), **and change CK frequency to the high-frequency operating point.**
6. **Perform command bus training on the terminating rank ( $V_{REF(CA)}$ , CS, and CA).**
7. **Exit training by driving CKE HIGH**, change CK frequency to the low-frequency operating point, and issue MRW-1 and MRW-2 commands to write the trained values to FSP-WR[1] (or FSP-WR[0]). When CKE is driven HIGH, the SDRAM will automatically switch back to the FSP-OP registers that were in use prior to training (trained values are not retained by the device).
8. Issue MRW-1 and MRW-2 commands to enter training mode on the non-terminating rank (but keep CKE HIGH).
9. Issue MRW-1 and MRW-2 commands to switch the terminating rank to FSP-OP[1] (or FSP-OP[0]), to turn on termination, **and change CK frequency to the high-frequency operating point.**
10. **Drive CKE LOW on the non-terminating (or all) ranks. The non-terminating rank(s) will now be using FSP-OP[1] (or FSP-OP[0]).**
11. **Perform command bus training on the non-terminating rank ( $V_{REF(CA)}$ , CS, and CA).**
12. **Issue MRW-1 and MRW-2 commands to switch the terminating rank to FSP-OP[0] (or FSP-OP[1]) to turn off termination.**
13. **Exit training by driving CKE HIGH on the non-terminating rank**, change CK frequency to the low-frequency operating point, and issue MRW-1 and MRW-2 commands. When CKE is driven HIGH, the device will automatically switch back to the FSP-OP registers that were in use prior to training (that is, trained values are not retained by the device).
14. Write the trained values to FSP-WR[1] (or FSP-WR[0]) by issuing MRW-1 and MRW-2 commands and setting all applicable mode register parameters.
15. Issue MRW-1 and MRW-2 commands to switch the terminating rank to FSP-OP[1] (or FSP-OP[0]), to turn on termination, **and change CK frequency to the high-frequency operating point. At this point the command bus is trained for both ranks and the user may proceed to other training or normal operation.**



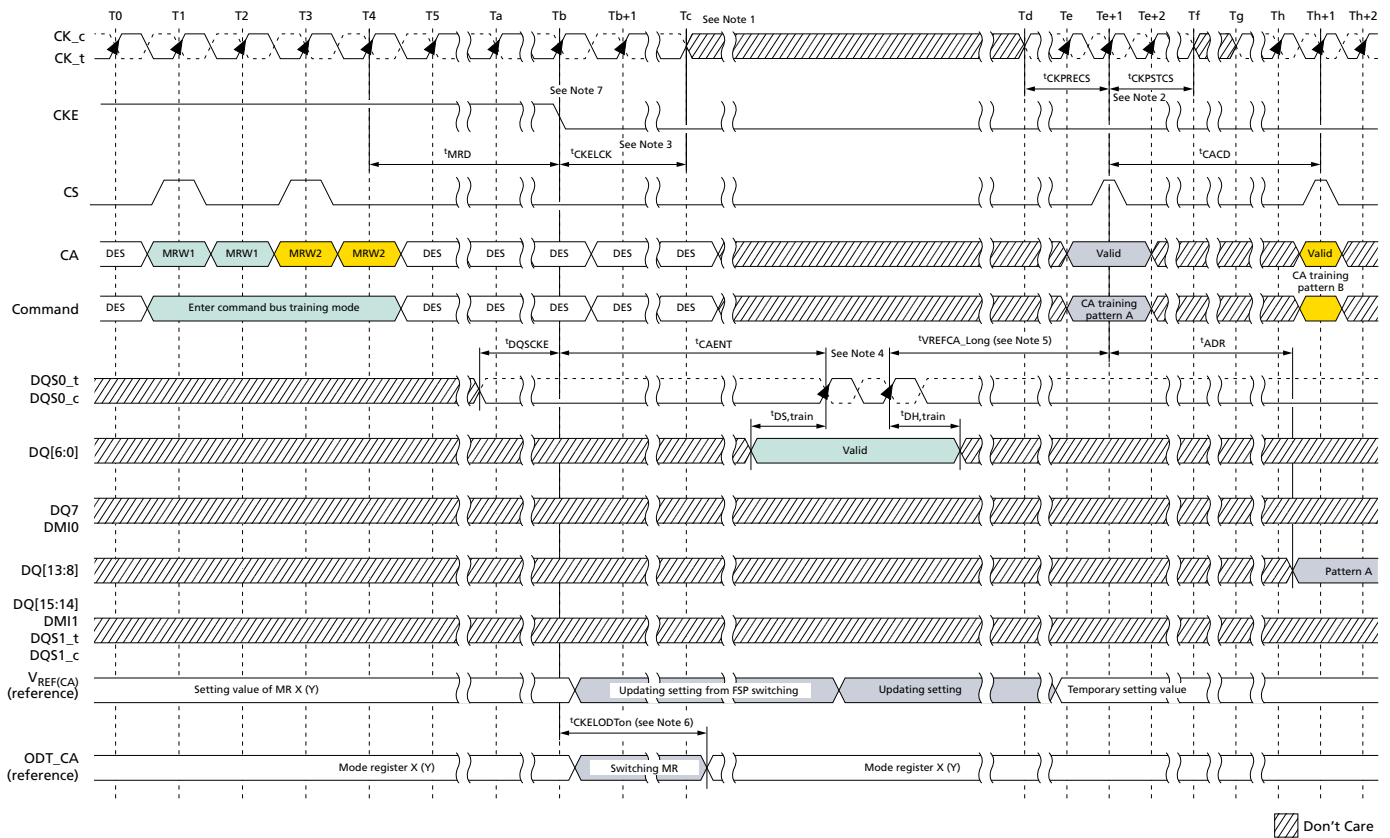
# 149-Ball NAND Flash with LPDDR4/LPDDR4X MCP Command Bus Training

## Relation Between CA Input Pin and DQ Output Pin

Table 156: Mapping CA Input Pin and DQ Output Pin

	Mapping					
CA number	CA5	CA4	CA3	CA2	CA1	CA0
DQ number	DQ13	DQ12	DQ11	DQ10	DQ9	DQ8

Figure 182: Command Bus Training Mode Entry – CA Training Pattern I/O with  $V_{REF(CA)}$  Value Update



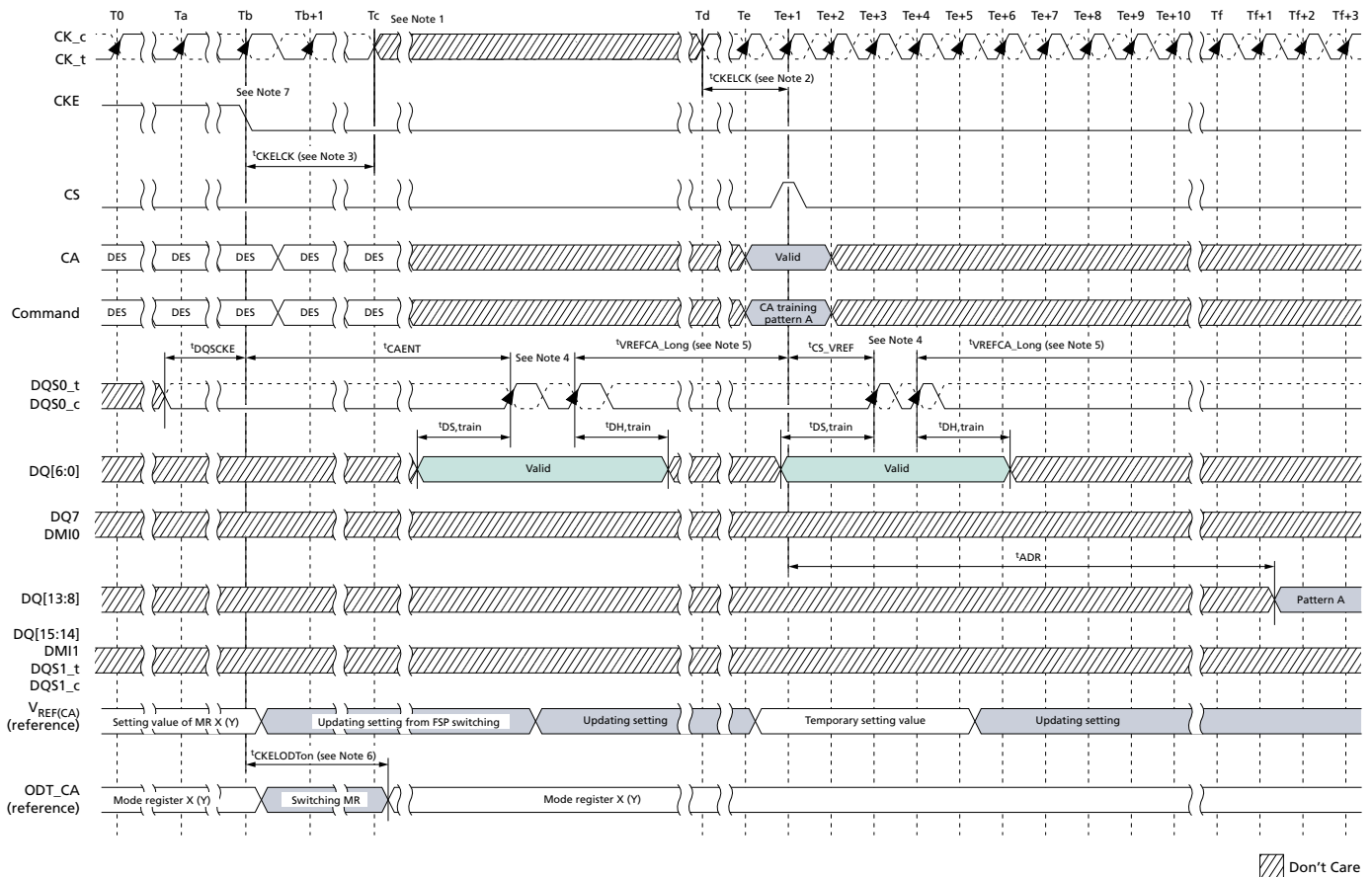
- Notes:
1. After  $t_{CKELCK}$ , the clock can be stopped or the frequency changed any time.
  2. The input clock condition should be satisfied  $t_{CKPRECS}$  and  $t_{CKPSTCS}$ .
  3. Continue to drive CK, and hold CA and CS LOW, until  $t_{CKELCK}$  after CKE is LOW (which disables command decoding).
  4. The device may or may not capture the first rising edge of DQS<sub>t</sub>/DQS<sub>c</sub> due to an unstable first rising edge. Therefore, at least two consecutive pulses of DQS signal input is required every for DQS input signal while capturing DQ[6:0] signals. The captured value of the DQ[6:0] signal level by each DQS edge may be overwritten at any time and the device will temporarily update the  $V_{REF(CA)}$  setting of MR12 after time  $t_{VREFCA\_Long}$ .
  5.  $t_{VREFCA\_Long}$  may be reduced to  $t_{VREFCA\_Short}$  if the following conditions are met: 1) The new  $V_{REF}$  setting is a single step above or below the old  $V_{REF}$  setting; 2) The DQS pulses a single time, or the new  $V_{REF}$  setting value on DQ[6:0] is static and meets  $t_{DS,train}/t_{DH,train}$  for every DQS pulse applied.



# 149-Ball NAND Flash with LPDDR4/LPDDR4X MCP Command Bus Training

- When CKE is driven LOW, the device will switch its FSP-OP registers to use the alternate (non-active) set. For example, if the device is currently using FSP-OP[0], then it will switch to FSP-OP[1] when CKE is driven LOW. All operating parameters should be written to the alternate mode registers before entering command bus training to ensure that ODT settings, RL/WL/nWR setting, and so forth, are set to the correct values.
- When CKE is driven LOW in command bus training mode, the device will change operation to the alternate FSP, that is, the inverse of the FSP programmed in the FSP-OP mode register.

**Figure 183: Consecutive  $V_{REF(CA)}$  Value Update**



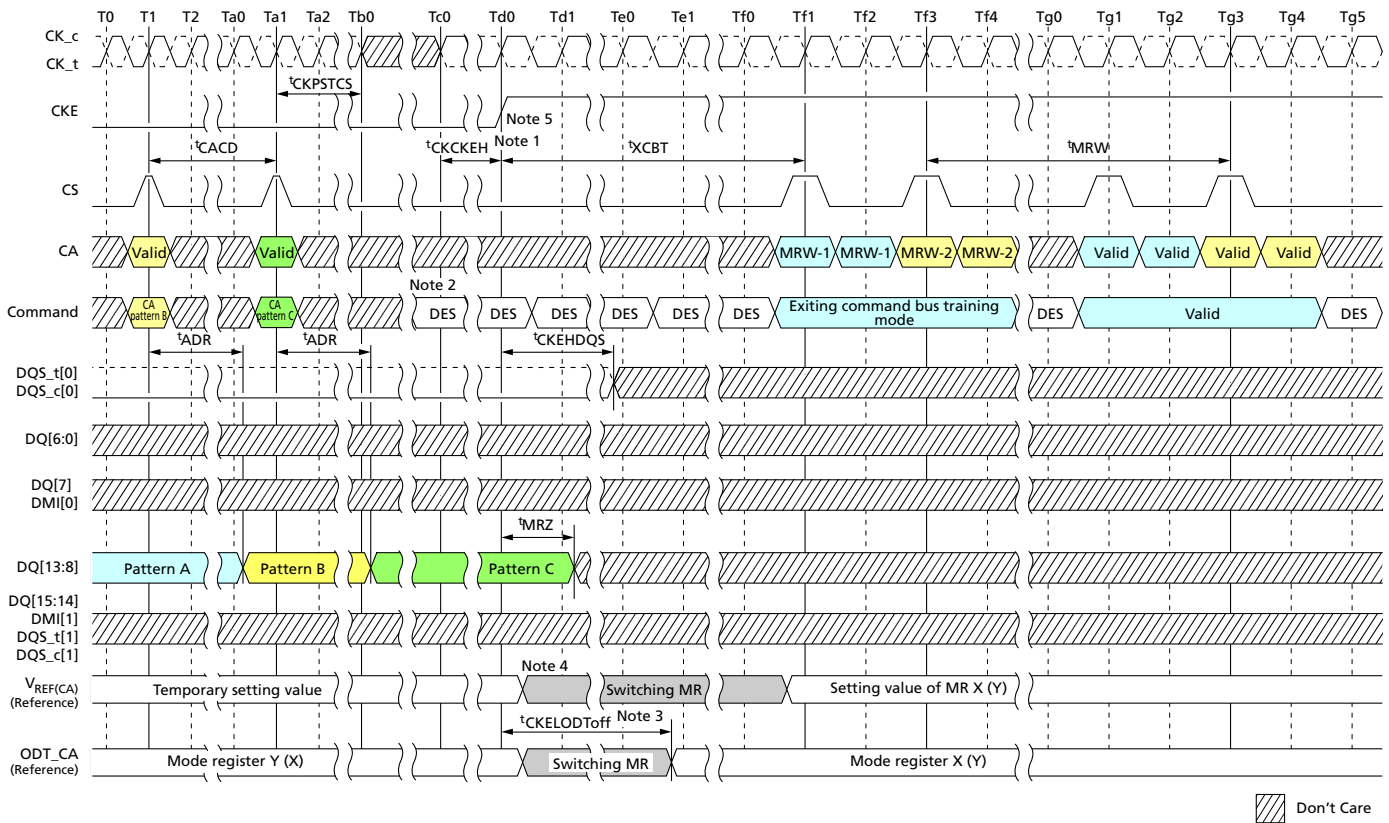
- Notes:
- After  $t_{CKELCK}$ , the clock can be stopped or the frequency changed any time.
  - The input clock condition should be satisfied  $t_{CKPRECS}$  and  $t_{CKPSTCS}$ .
  - Continue to drive CK, and hold CA and CS LOW, until  $t_{CKELCK}$  after CKE is LOW (which disables command decoding).
  - The device may or may not capture the first rising edge of DQS<sub>t</sub>/DQS<sub>c</sub> due to an unstable first rising edge. Therefore, at least two consecutive pulses of DQS signal input is required every for DQS input signal while capturing DQ[6:0] signals. The captured value of the DQ[6:0] signal level by each DQS edge may be overwritten at any time and the device will temporarily update the  $V_{REF(CA)}$  setting of MR12 after time  $t_{VREFCA\_Long}$ .
  - $t_{VREFCA\_Long}$  may be reduced to  $t_{VREFCA\_Short}$  if the following conditions are met: 1) The new  $V_{REF}$  setting is a single step above or below the old  $V_{REF}$  setting; 2) The DQS



# 149-Ball NAND Flash with LPDDR4/LPDDR4X MCP Command Bus Training

- pulses a single time, or the new  $V_{REF}$  setting value on DQ[6:0] is static and meets  $t_{DS,train} / t_{DH,train}$  for every DQS pulse applied.
- When CKE is driven LOW, the device will switch its FSP-OP registers to use the alternate (non-active) set. For example, if the device is currently using FSP-OP[0], then it will switch to FSP-OP[1] when CKE is driven LOW. All operating parameters should be written to the alternate mode registers before entering command bus training to ensure that ODT settings, RL/WL/nWR setting, and so forth, are set to the correct values.
  - When CKE is driven LOW in command bus training mode, the device will change operation to the alternate FSP, that is, the inverse of the FSP programmed in the FSP-OP mode register.

**Figure 184: Command Bus Training Mode Exit with Valid Command**



- Notes:
- The clock can be stopped or the frequency changed any time before  $t_{CKCKEH}$ . CK must meet  $t_{CKCKEH}$  before CKE is driven HIGH. When CKE is driven HIGH, the clock frequency must be returned to the original frequency (that is, the frequency corresponding to the FSP at command bus training mode entry).
  - CS and CA[5:0] must be deselected (LOW)  $t_{CKCKEH}$  before CKE is driven HIGH.
  - When CKE is driven HIGH, ODT\_CA will revert to the state/value defined by FSP-OP prior to command bus training mode entry, that is, the original frequency set point (FSP-OP, MR13-OP[7]). For example, if the device was using FSP-OP[1] for training, then it will switch to FSP-OP[0] when CKE is driven HIGH.
  - Training values are not retained by the device and must be written to the FSP-OP register set before returning to operation at the trained frequency. For example,  $V_{REF(CA)}$  will return to the value programmed in the original set point.

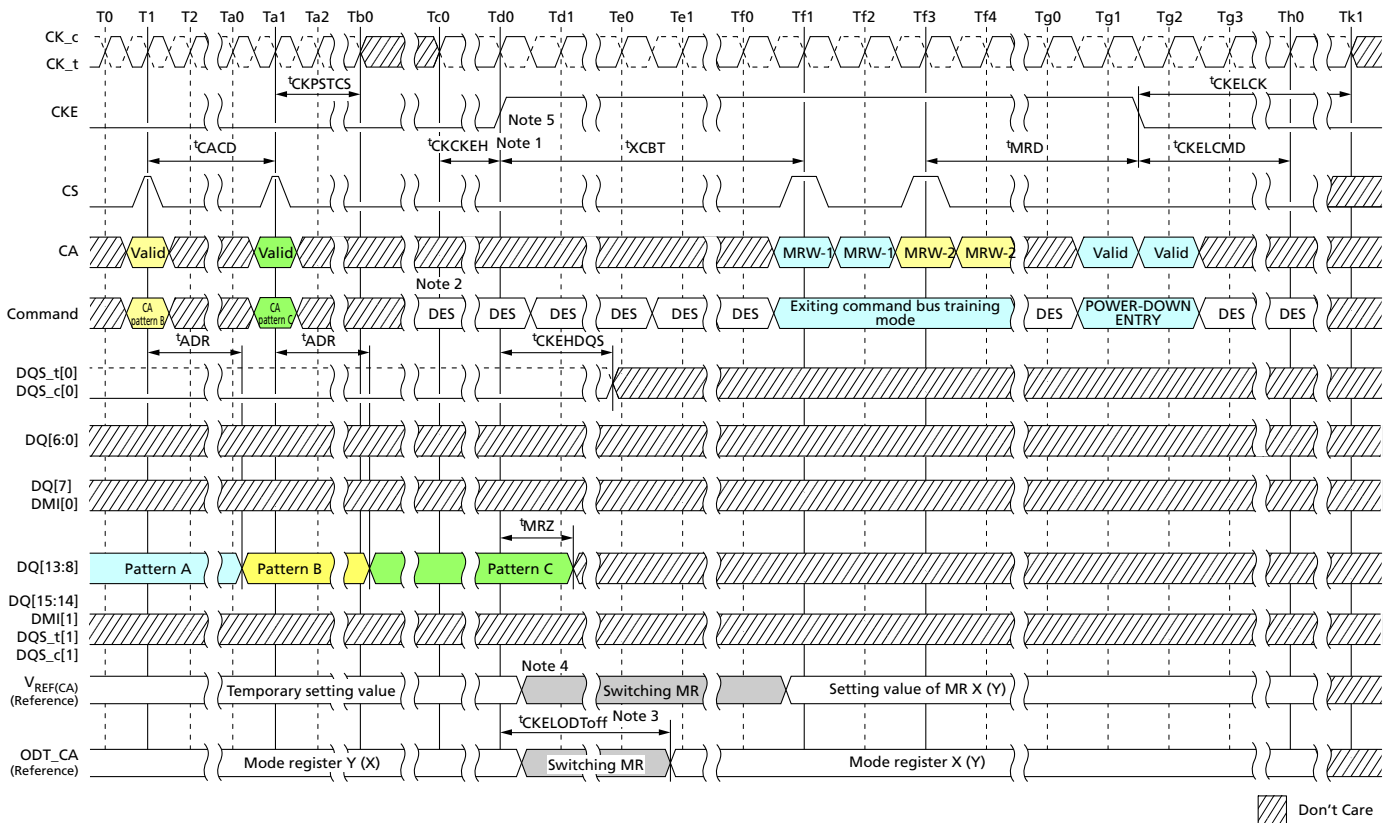




# 149-Ball NAND Flash with LPDDR4/LPDDR4X MCP Command Bus Training

- When CKE is driven HIGH, the device will revert to the FSP in operation at command bus training mode entry.

**Figure 185: Command Bus Training Mode Exit with Power-Down Entry**



- Notes:
- The clock can be stopped or the frequency changed any time before  $t_{CKCKEH}$ . CK must meet  $t_{CKCKEH}$  before CKE is driven HIGH. When CKE is driven HIGH, the clock frequency must be returned to the original frequency (that is, the frequency corresponding to the FSP at command bus training mode entry).
  - CS and CA[5:0] must be deselected (LOW)  $t_{CKCKEH}$  before CKE is driven HIGH.
  - When CKE is driven HIGH, ODT\_CA will revert to the state/value defined by FSP-OP prior to command bus training mode entry, that is, the original frequency set point (FSP-OP, MR13-OP[7]). For example, if the device was using FSP-OP[1] for training, then it will switch to FSP-OP[0] when CKE is driven HIGH.
  - Training values are not retained by the device and must be written to the FSP-OP register set before returning to operation at the trained frequency. For example,  $V_{REF(CA)}$  will return to the value programmed in the original set point.
  - When CKE is driven HIGH, the device will revert to the FSP in operation at command bus training mode entry.



## Write Leveling

### Mode Register Write-WR Leveling Mode

To improve signal-integrity performance, the device provides a write leveling feature to compensate for CK-to-DQS timing skew, affecting timing parameters such as  $t_{DQSS}$ ,  $t_{DSS}$ , and  $t_{DSH}$ . The memory controller uses the write leveling feature to receive feedback from the device, enabling it to adjust the clock-to-data strobe signal relationship for each DQS<sub>t</sub>/DQS<sub>c</sub> signal pair. The device samples the clock state with the rising edge of DQS signals and asynchronously feeds back to the memory controller. The memory controller references this feedback to adjust the clock-to-data strobe signal relationship for each DQS<sub>t</sub>/DQS<sub>c</sub> signal pair.

All data bits (DQ[7:0] for DQS[0] and DQ[15:8] for DQS[1]) carry the training feedback to the controller. Both DQS signals in each channel must be leveled independently. Write leveling entry/exit is independent between channels for dual-channel devices.

The device enters write leveling mode when mode register MR2-OP[7] is set HIGH. When entering write leveling mode, the state of the DQ pins is undefined. During write leveling mode, only DESELECT commands, or a MRW command to exit the WRITE LEVELING operation, are allowed. Depending on the absolute values of  $t_{QSL}$  and  $t_{QSH}$  in the application, the value of  $t_{DQSS}$  may have to be better than the limits provided in the AC Timing Parameters section in order to satisfy the  $t_{DSS}$  and  $t_{DSH}$  specifications. Upon completion of the WRITE LEVELING operation, the device exits write leveling mode when MR2-OP[7] is reset LOW.

Write leveling should be performed before write training (DQS2DQ training).

### Write Leveling Procedure

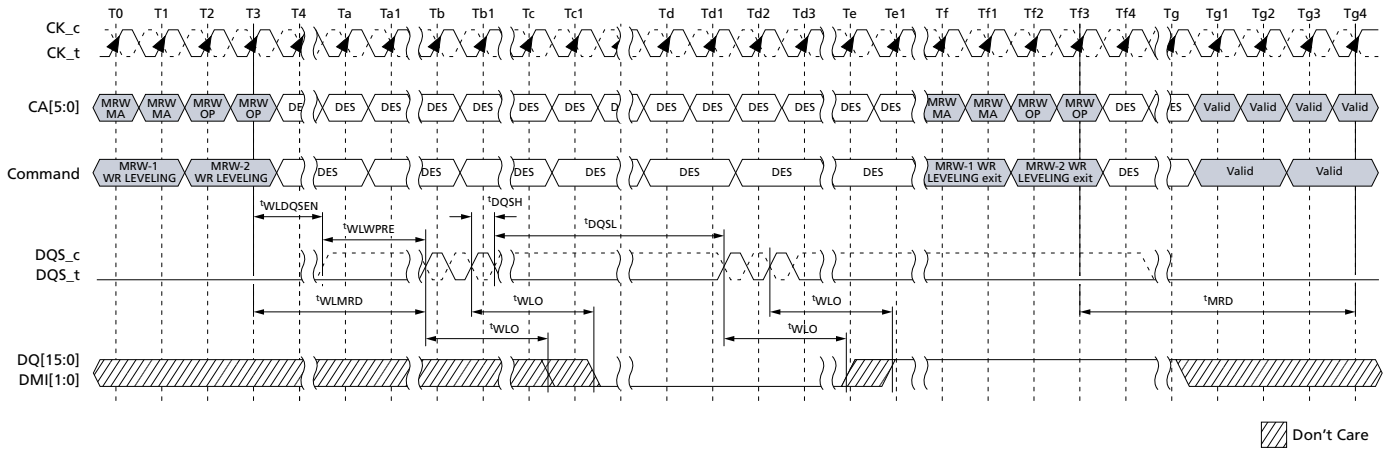
1. Enter write leveling mode by setting MR2-OP[7]=1.
2. Once in write leveling mode, DQS<sub>t</sub> must be driven LOW and DQS<sub>c</sub> HIGH after a delay of  $t_{WLDQSEN}$ .
3. Wait for a time  $t_{WLDQSEN}$  before providing the first DQS signal input. The delay time  $t_{WLMRD}(MAX)$  is controller-dependent.
4. The device may or may not capture the first rising edge of DQS<sub>t</sub> due to an unstable first rising edge; therefore, at least two consecutive pulses of DQS signal input is required for every DQS input signal during write training mode. The captured clock level for each DQS edge is overwritten, and the device provides asynchronous feedback on all DQ bits after time  $t_{WLO}$ .
5. The feedback provided by the device is referenced by the controller to increment or decrement the DQS<sub>t</sub> and/or DQS<sub>c</sub> delay settings.
6. Repeat steps 4 and 5 until the proper DQS<sub>t</sub>/DQS<sub>c</sub> delay is established.
7. Exit write leveling mode by setting MR2-OP[7] = 0.





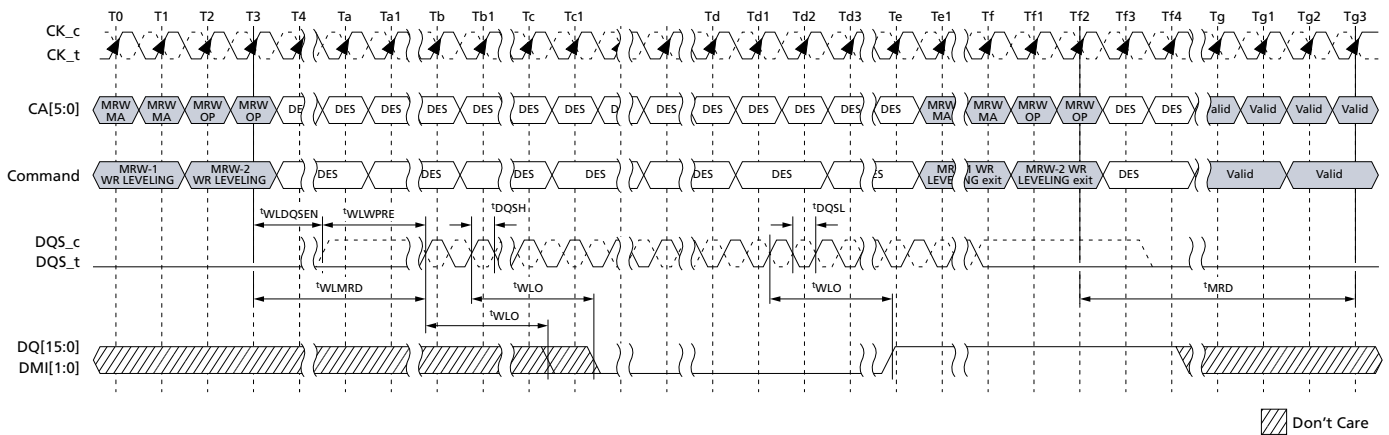
# 149-Ball NAND Flash with LPDDR4/LPDDR4X MCP Write Leveling

**Figure 186: Write Leveling Timing –  $t_{DQSL}(MAX)$**



Note: 1. Clock can be stopped except during DQS toggle period (CK<sub>t</sub> = LOW, CK<sub>c</sub> = HIGH). However, a stable clock prior to sampling is required to ensure timing accuracy.

**Figure 187: Write Leveling Timing –  $t_{DQSL}(MIN)$**



Note: 1. Clock can be stopped except during DQS toggle period (CK<sub>t</sub> = LOW, CK<sub>c</sub> = HIGH). However, a stable clock prior to sampling is required to ensure timing accuracy.

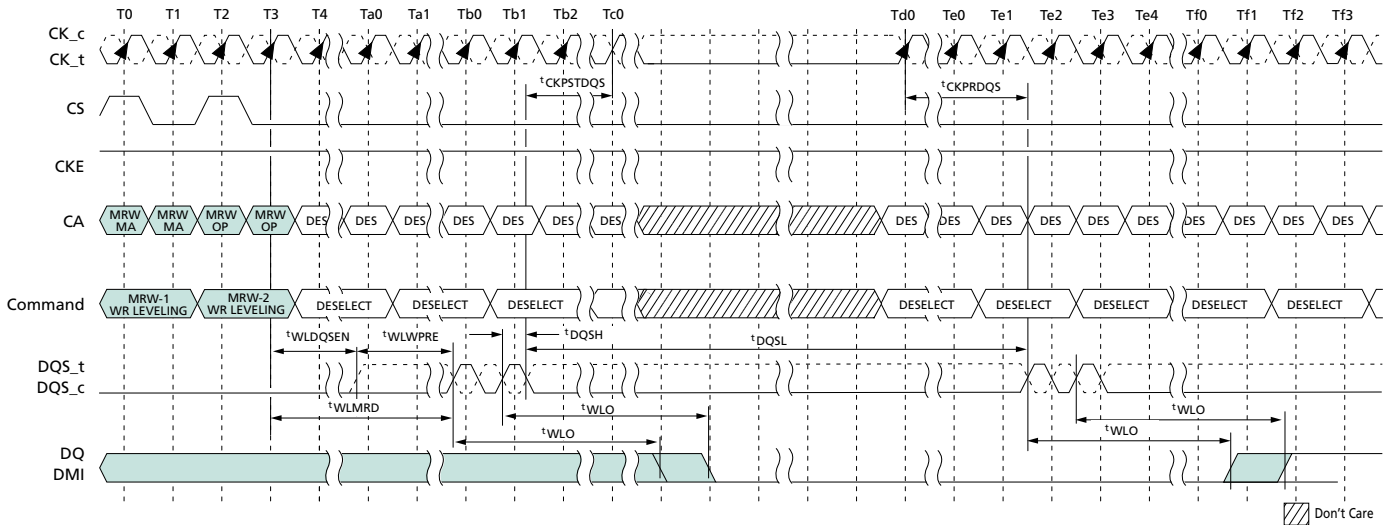
## Input Clock Frequency Stop and Change

The input clock frequency can be stopped or changed from one stable clock rate to another stable clock rate during write leveling mode. The frequency stop or change timing is shown below.



# 149-Ball NAND Flash with LPDDR4/LPDDR4X MCP Write Leveling

**Figure 188: Clock Stop and Timing During Write Leveling**



- Notes: 1. CK\_t is held LOW and CK\_c is held HIGH during clock stop.  
 2. CS will be held LOW during clock stop.

**Table 157: Write Leveling Timing Parameters**

Parameter	Symbol	Min/Max	Value	Units
DQS_t/DQS_c delay after write leveling mode is programmed	tWLDQSEN	MIN	20	tCK
		MAX	-	
Write preamble for write leveling	tWLWPRE	MIN	20	tCK
		MAX	-	
First DQS_t/DQS_c edge after write leveling mode is programmed	tWLMRD	MIN	40	tCK
		MAX	-	
Write leveling output delay	tWLO	MIN	0	ns
		MAX	20	
MODE REGISTER SET command delay	tMRD	Refer to Mode Register Timing Parameter Table		
Valid clock requirement before DQS toggle	tCKPRDQS	MIN	MAX(7.5ns, 4nCK)	-
		MAX	-	
Valid clock requirement after DQS toggle	tCKPSTDQS	MIN	MAX(7.5ns, 4nCK)	-
		MAX	-	

**Table 158: Write Leveling Setup and Hold Timing**

Parameter	Symbol	Min/Max	Data Rate					Unit
			1600	2400	3200	3733	4267	
Write leveling hold time	tWLH	MIN	150	100	75	62.5	50	ps
Write leveling setup time	tWLS	MIN	150	100	75	62.5	50	ps



**149-Ball NAND Flash with LPDDR4/LPDDR4X MCP  
Write Leveling**

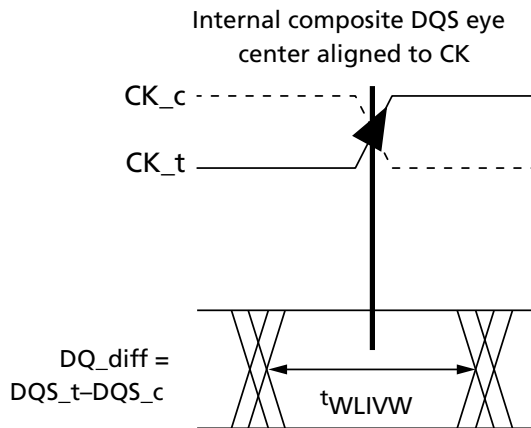
**Table 158: Write Leveling Setup and Hold Timing (Continued)**

Parameter	Symbol	Min/Max	Data Rate					Unit
			1600	2400	3200	3733	4267	
Write leveling input valid window	$t^{WLIVW}$	MIN	240	160	120	105	90	ps

- Notes:
1. In addition to the traditional setup and hold time specifications, there is value in a invalid window-based specification for write leveling training. As the training is based on each device, worst-case process skews for setup and hold do not make sense to close timing between CK and DQS.
  2.  $t^{WLIVW}$  is defined in a similar manner to  $TdIVW_{total}$ , except that here it is a DQS invalid window with respect to CK. This would need to account for all voltage and temperature (VT) drift terms between CK and DQS within the device that affect the write leveling invalid window.

The figure below shows the DQS input mask for timing with respect to CK. The “total” mask ( $t^{WLIVW}$ ) defines the time the input signal must not encroach in order for the DQS input to be successfully captured by CK. The mask is a receiver property and it is not the valid data-eye.

**Figure 189: DQS\_t/DQS\_c to CK\_t/CK\_c Timings at the Pins Referenced from the Internal Latch**





## MULTIPURPOSE Operation

The device uses the MULTIPURPOSE command to issue a NO OPERATION (NOP) command and to access various training modes. The MPC command is initiated with CS, and CA[5:0] asserted to the proper state at the rising edge of CK, as defined by the Command Truth Table. The MPC command has seven operands (OP[6:0]) that are decoded to execute specific commands in the SDRAM. OP[6] is a special bit that is decoded on the first rising CK edge of the MPC command. When OP[6] = 0, the device executes a NOP command, and when OP[6] = 1, the device further decodes one of several training commands.

When OP[6] = 1 and the training command includes a READ or WRITE operation, the MPC command must be followed immediately by a CAS-2 command. For training commands that read or write, READ latency (RL) and WRITE latency (WL) are counted from the second rising CK edge of the CAS-2 command with the same timing relationship as a typical READ or WRITE command. The operands of the CAS-2 command following a MPC READ/WRITE command must be driven LOW. The following MPC commands must be followed by a CAS-2 command:

- WRITE-FIFO
- READ-FIFO
- READ DQ CALIBRATION

All other MPC commands do not require a CAS-2 command, including the following:

- NOP
- START DQS INTERVAL OSCILLATOR
- STOP DQS INTERVAL OSCILLATOR
- ZQCAL START (ZQ CALIBRATION START)
- ZQCAL LATCH (ZQ CALIBRATION LATCH)

**Table 159: MPC Command Definition**

SDR Command	SDR Command Pins			SDR CA Pins						CK_t Edge	Notes
	CKE		CS	CA0	CA1	CA2	CA3	CA4	CA5		
	CK_t (n-1)	CK_t(n)									
MPC (Train, NOP)	H	H	H	L	L	L	L	L	OP6		1, 2
			L	OP0	OP1	OP2	OP3	OP4	OP5		

- Notes:
1. See the Command Truth Table for more information.
  2. MPC commands for READ or WRITE TRAINING operations must be immediately followed by the CAS-2 command, consecutively, without any other commands in between. The MPC command must be issued before issuing the CAS-2 command.



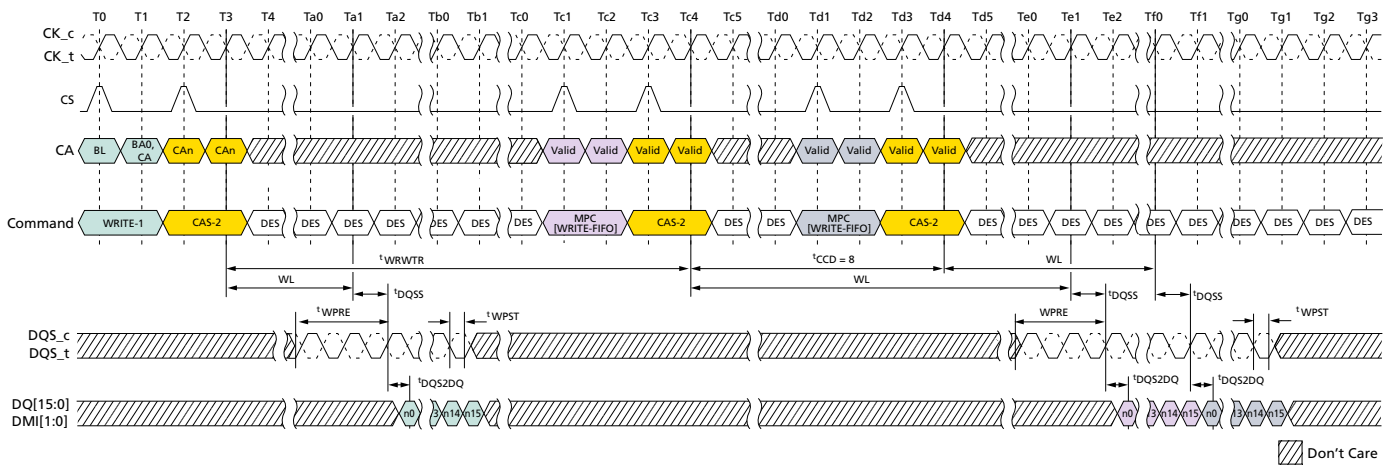
# 149-Ball NAND Flash with LPDDR4/LPDDR4X MCP MULTIPURPOSE Operation

**Table 160: MPC Commands**

Function	Operand	Data
Training Modes	OP[6:0]	<b>0XXXXXXb:</b> NOP <b>1000001b:</b> READ-FIFO: READ-FIFO supports only BL16 operation <b>1000011b:</b> READ DQ CALIBRATION (MR32/MR40) <b>1000101b:</b> RFU <b>1000111b:</b> WRITE-FIFO: WRITE-FIFO supports only BL16 operation <b>1001001b:</b> RFU <b>1001011b:</b> START DQS OSCILLATOR <b>1001101b:</b> STOP DQS OSCILLATOR <b>1001111b:</b> ZQCAL START <b>1010001b:</b> ZQCAL LATCH <b>All Others:</b> Reserved

- Notes:
1. See command truth table for more information.
  2. MPC commands for READ or WRITE TRAINING operations must be immediately followed by CAS-2 command consecutively without any other commands in-between. MPC command must be issued first before issuing the CAS-2 command.
  3. WRITE-FIFO and READ-FIFO commands will only operate as BL16, ignoring the burst length selected by MR1 OP[1:0].

**Figure 190: WRITE-FIFO –  $t^*_{WPRE} = 2nCK$ ,  $t^*_{WPST} = 0.5nCK$**



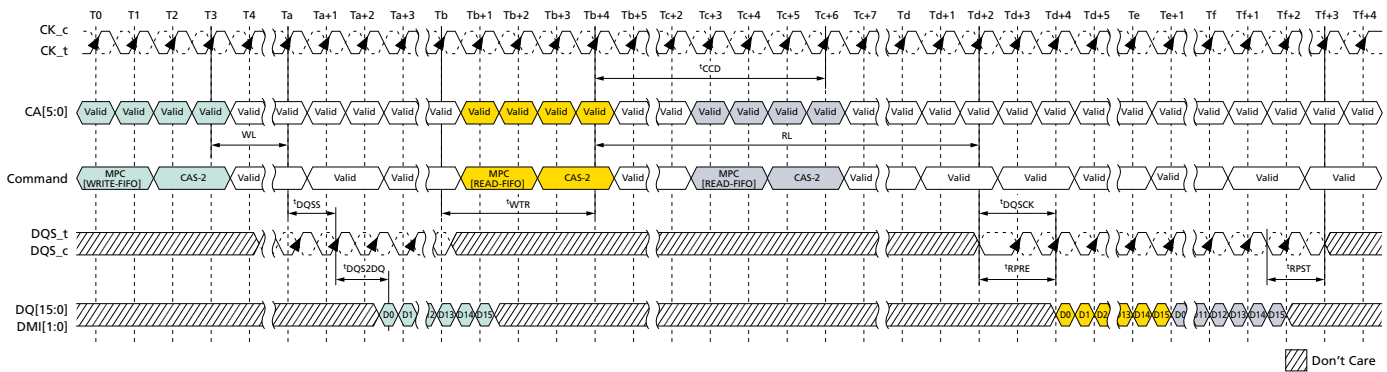
- Notes:
1. MPC[WRITE-FIFO] can be executed with a single bank or multiple banks active, during refresh or during self refresh, with CKE HIGH.
  2. Write-1 to MPC is shown as an example of command-to-command timing for MPC. Timing from Write-1 to MPC[WRITE-FIFO] is  $t^*_{WRWTR}$ .
  3. Seamless MPC[WRITE-FIFO] commands may be executed by repeating the command every  $t^*_{CCD}$  time.
  4. MPC[WRITE-FIFO] uses the same command-to-data timing relationship (WL,  $t^*_{DQSS}$ ,  $t^*_{DQS2DQ}$ ) as a WRITE-1 command.
  5. A maximum of five MPC[WRITE-FIFO] commands may be executed consecutively without corrupting FIFO data. The sixth MPC[WRITE-FIFO] command will overwrite the FIFO data



# 149-Ball NAND Flash with LPDDR4/LPDDR4X MCP MULTIPURPOSE Operation

- from the first command. If fewer than five MPC[WRITE-FIFO] commands are executed, then the remaining FIFO locations will contain undefined data.
- For the CAS-2 command following an MPC command, the CAS-2 operands must be driven LOW.
  - To avoid corrupting the FIFO contents, MPC[READ-FIFO] must immediately follow MPC[WRITE-FIFO]/CAS-2 without any other commands in-between. See Write Training section for more information on FIFO pointer behavior.

**Figure 191: READ-FIFO –  $t^*_{WPRE} = 2nCK$ ,  $t^*_{WPST} = 0.5nCK$ ,  $t^*_{RPRE} = \text{Toggle}$ ,  $t^*_{RPST} = 1.5nCK$**

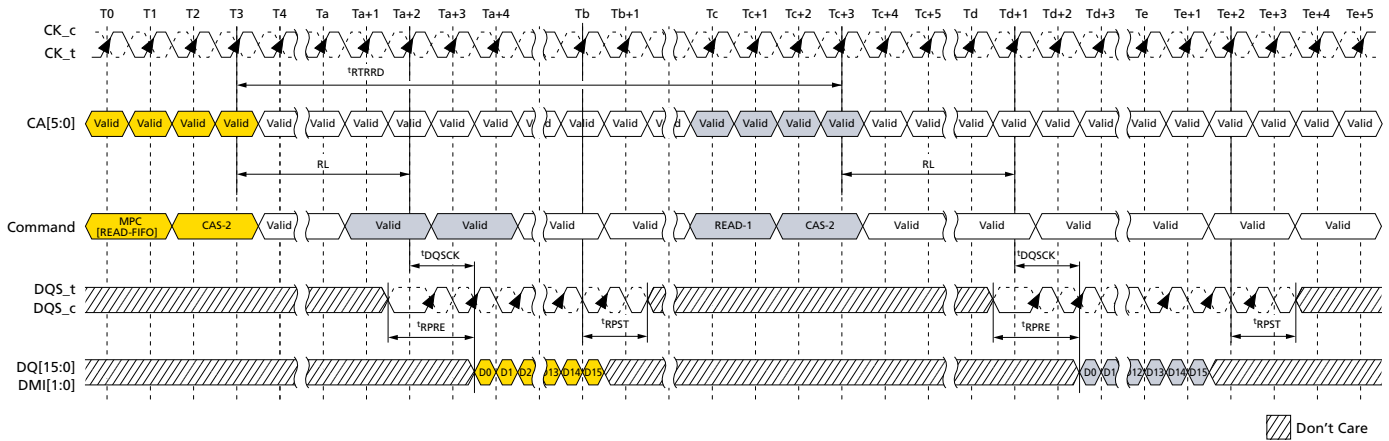


- Notes:
- MPC[WRITE-FIFO] can be executed with a single bank or multiple banks active, during refresh or during self refresh with CKE HIGH.
  - Seamless MPC[READ-FIFO] commands may be executed by repeating the command every  $t^*_{CCD}$  time.
  - MPC[READ-FIFO] uses the same command-to-data timing relationship (RL,  $t^*_{DQSCK}$ ) as a READ-1 command.
  - Data may be continuously read from the FIFO without any data corruption. After five MPC[READ-FIFO] commands, the FIFO pointer will wrap back to the first FIFO and continue advancing. If fewer than five MPC[WRITE-FIFO] commands were executed, then the MPC[READ-FIFO] commands to those FIFO locations will return undefined data. See Write Training for more information on the FIFO pointer behavior.
  - For the CAS-2 command immediately following an MPC command, the CAS-2 operands must be driven LOW.
  - DMI[1:0] signals will be driven if WR-DBI, RD-DBI, or DM is enabled in the mode registers. See Write Training for more information on DMI behavior.



# 149-Ball NAND Flash with LPDDR4/LPDDR4X MCP MULTIPURPOSE Operation

**Figure 192: READ-FIFO –  $t_{RPRE}$  = Toggling,  $t_{RPST}$  = 1.5nCK**



- Notes:
1. MPC[WRITE-FIFO] can be executed with a single bank or multiple banks active, during refresh or during self refresh with CKE HIGH.
  2. MPC[READ-FIFO] to READ-1 operation is shown as an example of command-to-command timing for MPC. Timing from MPC[READ-FIFO] command to read is  $t_{RTRRD}$ .
  3. Seamless MPC[READ-FIFO] commands may be executed by repeating the command every  $t_{CCD}$  time.
  4. MPC[READ-FIFO] uses the same command-to-data timing relationship (RL,  $t_{DQSK}$ ) as a READ-1 command.
  5. Data may be continuously read from the FIFO without any data corruption. After five MPC[READ-FIFO] commands, the FIFO pointer will wrap back to the first FIFO and continue advancing. If fewer than five MPC[WRITE-FIFO] commands are executed, then the MPC[READ-FIFO] commands to those FIFO locations will return undefined data. See Write Training for more information on the FIFO pointer behavior.
  6. For the CAS-2 command immediately following an MPC command, the CAS-2 operands must be driven LOW.
  7. DMI[1:0] signals will be driven if WR-DBI, RD-DBI, or DM is enabled in the mode registers. See Write Training for more information on DMI behavior.

**Table 161: Timing Constraints for Training Commands**

Previous Command	Next Command	Minimum Delay	Unit	Notes
WR/MWR	MPC[WRITE-FIFO]	$t_{WRWTR}$	nCK	1
	MPC[READ-FIFO]	Not allowed	–	2
	MPC[READ DQ CALIBRATION]	$WL + RU(t_{DQSS(MAX)}/t_{CK}) + BL/2 + RU(t_{WTR}/t_{CK})$	nCK	
RD/MRR	MPC[WRITE-FIFO]	$t_{RTRRD}$	nCK	3
	MPC[READ-FIFO]	Not allowed	–	2
	MPC[READ DQ CALIBRATION]	$t_{RTRRD}$	nCK	3



## 149-Ball NAND Flash with LPDDR4/LPDDR4X MCP MULTIPURPOSE Operation

**Table 161: Timing Constraints for Training Commands (Continued)**

Previous Command	Next Command	Minimum Delay	Unit	Notes
MPC[WRITE-FIFO]	WR/MWR	Not allowed	–	2
	MPC[WRITE-FIFO]	$t_{CCD}$	$nCK$	
	RD/MRR	Not allowed	–	2
	MPC[READ-FIFO]	$WL + RU(t_{DQSS(MAX)}/t_{CK}) + BL/2 + RU(t_{WTR}/t_{CK})$	$nCK$	
	MPC[READ DQ CALIBRATION]	Not allowed	–	2
MPC[READ-FIFO]	WR/MWR	$t_{RTRRD}$	$nCK$	3
	MPC[WRITE-FIFO]	$t_{RTW}$	$nCK$	4
	RD/MRR	$t_{RTRRD}$	$nCK$	3
	MPC[READ-FIFO]	$t_{CCD}$	$nCK$	
	MPC[READ DQ CALIBRATION]	$t_{RTRRD}$	$nCK$	3
MPC[READ DQ CALIBRATION]	WR/MWR	$t_{RTRRD}$	$nCK$	3
	MPC[WRITE-FIFO]	$t_{RTRRD}$	$nCK$	3
	RD/MRR	$t_{RTRRD}$	$nCK$	3
	MPC[READ-FIFO]	Not allowed	–	2
	MPC[READ DQ CALIBRATION]	$t_{CCD}$	$nCK$	

- Notes:
- $t_{WRWTR} = WL + BL/2 + RU(t_{DQSS(MAX)}/t_{CK}) + \text{MAX}(RU(7.5ns/t_{CK}), 8nCK)$ .
  - No commands are allowed between MPC[WRITE-FIFO] and MPC[READ-FIFO] except the MRW commands related to training parameters.
  - $t_{RTRRD} = RL + RU(t_{DQSSCK(MAX)}/t_{CK}) + BL/2 + RD(t_{RPST}) + \text{MAX}(RU(7.5ns/t_{CK}), 8nCK)$ .
  - In case of DQ ODT disable MR11 OP[2:0] = 000b,  
 $t_{RTW} = RL + RU(t_{DQSSCK(MAX)}/t_{CK}) + BL/2 - WL + t_{WPRE} + RD(t_{RPST})$ .  
 In case of DQ ODT enable MR11 OP[2:0] ≠ 000b,  
 $t_{RTW} = RL + RU(t_{DQSSCK(MAX)}/t_{CK}) + BL/2 + RD(t_{RPST}) - \text{ODTLon} - RD(t_{ODTon(MIN)}/t_{CK}) + 1$ .





## Read DQ Calibration Training

The READ DQ CALIBRATION TRAINING function outputs a 16-bit, user-defined pattern on the DQ pins. Read DQ calibration is initiated by issuing a MPC[READ DQ CALIBRATION] command followed by a CAS-2 command, which causes the device to drive the contents of MR32, followed by the contents of MR40 on each of DQ[15:0] and DMI[1:0]. The pattern can be inverted on selected DQ pins according to user-defined invert masks written to MR15 and MR20.

### Read DQ Calibration Training Procedure

1. Issue MRW commands to write MR32 (first eight bits), MR40 (second eight bits), MR15 (eight-bit invert mask for byte 0), and MR20 (eight-bit invert mask for byte 1).

In the alternative, this step could be replaced with the default pattern:

- MR32 default = 5Ah
- MR40 default = 3Ch
- MR15 default = 55h
- MR20 default = 55h

2. Issue an MPC command, followed immediately by a CAS-2 command.

- Each time an MPC command, followed by a CAS-2, is received by the device, a 16-bit data burst will drive the eight bits programmed in MR32 followed by the eight bits programmed in MR40 on all I/O pins after the currently set RL.
- The data pattern will be inverted for I/O pins with a 1 programmed in the corresponding invert mask mode register bit (see table below).
- The pattern is driven on the DMI pins, but no DATA BUS INVERSION function is enabled, even if read DBI is enabled in the mode register.
- The MPC command can be issued every <sup>t</sup>CCD seamlessly, and <sup>t</sup>RTRRD delay is required between ARRAY READ command and the MPC command as well the delay required between the MPC command and an ARRAY READ.
- The operands received with the CAS-2 command must be driven LOW.

3. DQ

Read DQ calibration training can be performed with any or no banks active during refresh or during self refresh with CKE HIGH.

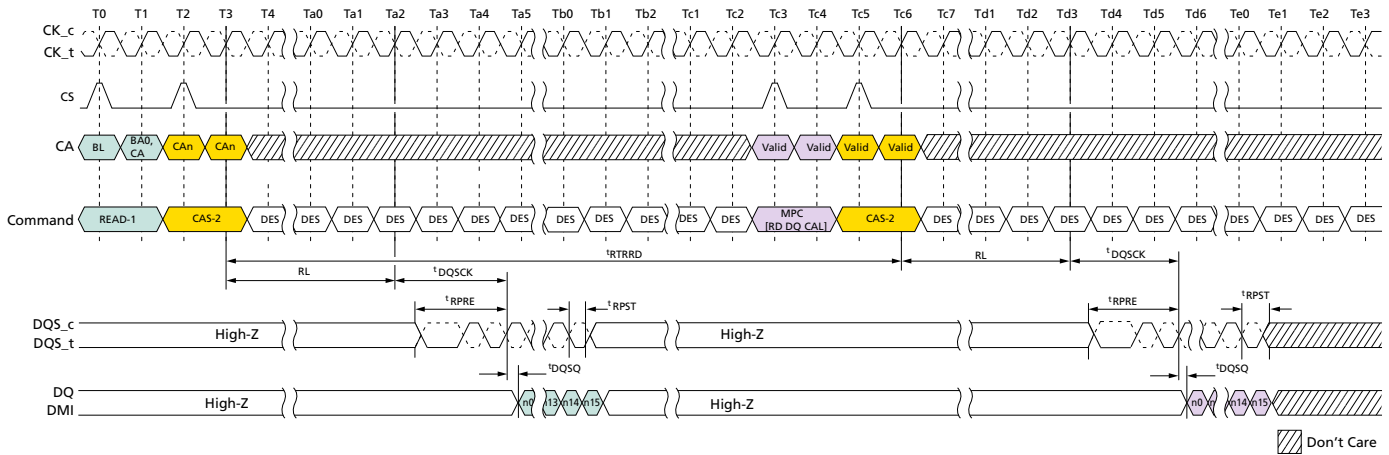
**Table 162: Invert Mask Assignments**

DQ pin	0	1	2	3	DMI0	4	5	6	7
MR15 bit	0	1	2	3	N/A	4	5	6	7
DQ pin	8	9	10	11	DMI1	12	13	14	15
MR20 bit	0	1	2	3	N/A	4	5	6	7



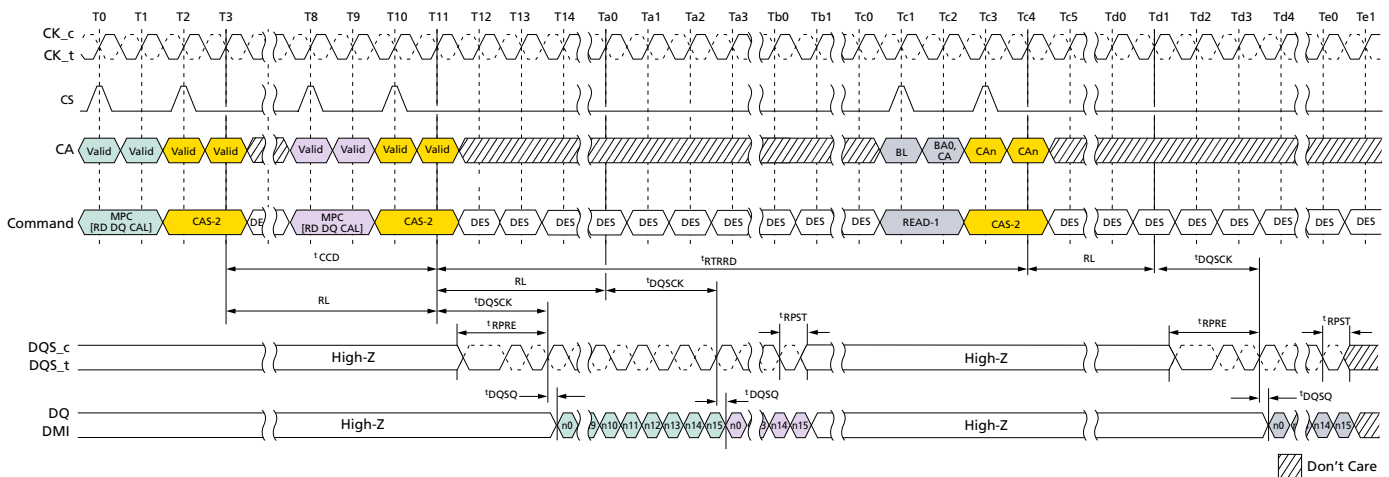
# 149-Ball NAND Flash with LPDDR4/LPDDR4X MCP Read DQ Calibration Training

**Figure 193: Read DQ Calibration Training Timing: Read-to-Read DQ Calibration**



- Notes:
1. Read-1 to MPC operation is shown as an example of command-to-command timing. Timing from Read-1 to MPC command is  $tRTRRD$ .
  2. MPC uses the same command-to-data timing relationship ( $RL$ ,  $tDQSK$ ,  $tDQSQ$ ) as a Read-1 command.
  3. BL = 16, Read preamble: Toggle, Read postamble:  $0.5nCK$ .
  4. DES commands are shown for ease of illustration; other commands may be valid at these times.

**Figure 194: Read DQ Calibration Training Timing: RTRRD DQ Calibration to Read DQ Calibration/Read**



- Notes:
1. MPC[READ DQ CALIBRATION] to MPC[READ DQ CALIBRATION] operation is shown as an example of command-to-command timing.
  2. MPC[READ DQ CALIBRATION] to READ-1 operation is shown as an example of command-to-command timing.
  3. MPC[READ DQ CALIBRATION] uses the same command-to-data timing relationship ( $RL$ ,  $tDQSK$ ,  $tDQSQ$ ) as a READ-1 command.
  4. Seamless MPC[READ DQ CALIBRATION] commands may be executed by repeating the command every  $tCCD$  time.
  5. Timing from MPC[READ DQ CALIBRATION] command to READ-1 is  $tRTRRD$ .



## 149-Ball NAND Flash with LPDDR4/LPDDR4X MCP Read DQ Calibration Training

6. BL = 16, Read preamble: Toggle, Read postamble:  $0.5nCK$ .
7. DES commands are shown for ease of illustration; other commands may be valid at these times.

### Read DQ Calibration Training Example

An example of read DQ calibration training output is shown in table below. This shows the 16-bit data pattern that will be driven on each DQ in byte 0 when one READ DQ CALIBRATION TRAINING command is executed. This output assumes the following mode register values are used:

- MR32 = 1CH
- MR40 = 59H
- MR15 = 55H
- MR20 = 55H

**Table 163: Read DQ Calibration Bit Ordering and Inversion Example**

Pin	Bit Sequence →																
	Invert	15	14	13	12	11	10	9	8	7	6	5	4	3	2	1	0
DQ0	Yes	1	0	1	0	0	1	1	0	1	1	1	0	0	0	1	1
DQ1	No	0	1	0	1	1	0	0	1	0	0	0	1	1	1	0	0
DQ2	Yes	1	0	1	0	0	1	1	0	1	1	1	0	0	0	1	1
DQ3	No	0	1	0	1	1	0	0	1	0	0	0	1	1	1	0	0
DMI0	Never	0	1	0	1	1	0	0	1	0	0	0	1	1	1	0	0
DQ4	Yes	1	0	1	0	0	1	1	0	1	1	1	0	0	0	1	1
DQ5	No	0	1	0	1	1	0	0	1	0	0	0	1	1	1	0	0
DQ6	Yes	1	0	1	0	0	1	1	0	1	1	1	0	0	0	1	1
DQ7	No	0	1	0	1	1	0	0	1	0	0	0	1	1	1	0	0
DQ8	Yes	1	0	1	0	0	1	1	0	1	1	1	0	0	0	1	1
DQ9	No	0	1	0	1	1	0	0	1	0	0	0	1	1	1	0	0
DQ10	Yes	1	0	1	0	0	1	1	0	1	1	1	0	0	0	1	1
DQ11	No	0	1	0	1	1	0	0	1	0	0	0	1	1	1	0	0
DMI1	Never	0	1	0	1	1	0	0	1	0	0	0	1	1	1	0	0
DQ12	Yes	1	0	1	0	0	1	1	0	1	1	1	0	0	0	1	1
DQ13	No	0	1	0	1	1	0	0	1	0	0	0	1	1	1	0	0
DQ14	Yes	1	0	1	0	0	1	1	0	1	1	1	0	0	0	1	1
DQ15	No	0	1	0	1	1	0	0	1	0	0	0	1	1	1	0	0

- Notes:
1. The patterns contained in MR32 and MR40 are transmitted on DQ[15:0] and DMI[1:0] when read DQ calibration is initiated via a MPC[READ DQ CALIBRATION] command. The pattern transmitted serially on each data lane, organized little endian such that the low-order bit in a byte is transmitted first. If the data pattern is 27H, then the first bit transmitted will be a 1, followed by 1, 1, 0, 0, 1, 0, and 0. The bit stream will be 00100111 →.
  2. MR15 and MR20 may be used to invert the MR32/MR40 data pattern on the DQ pins. See MR15 and MR20 for more information. Data is never inverted on the DMI[1:0] pins.
  3. DMI [1:0] outputs status follows MR Setting vs. DMI Status table.



# 149-Ball NAND Flash with LPDDR4/LPDDR4X MCP Write Training

- No DATA BUS INVERSION (DBI) function is enacted during read DQ calibration, even if DBI is enabled in MR3-OP[6].

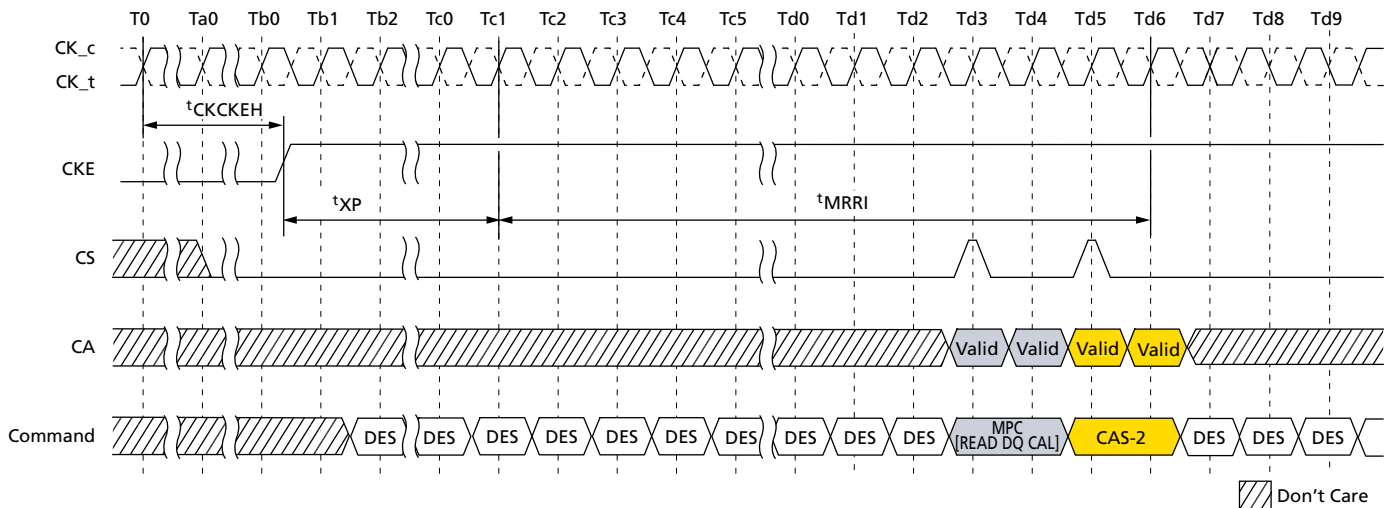
**Table 164: MR Setting vs. DMI Status**

DM Function MR13 OP[5]	WRITE DBI <sub>dc</sub> Function MR3 OP[7]	READ DBI <sub>dc</sub> Function MR3 OP[6] DMI	Status
1: Disable	0: Disable	0: Disable	High-Z
1: Disable	1: Enable	0: Disable	The data pattern is transmitted
1: Disable	0: Disable	1: Enable	The data pattern is transmitted
1: Disable	1: Enable	1: Enable	The data pattern is transmitted
0: Enable	0: Disable	0: Disable	The data pattern is transmitted
0: Enable	1: Enable	0: Disable	The data pattern is transmitted
0: Enable	0: Disable	1: Enable	The data pattern is transmitted
0: Enable	1: Enable	1: Enable	The data pattern is transmitted

## MPC[READ DQ CALIBRATION] After Power-Down Exit

Following the power-down state, an additional time,  $t_{MRRI}$ , is required prior to issuing the MPC[READ DQ CALIBRATION] command. This additional time (equivalent to  $t_{RCD}$ ) is required in order to be able to maximize power-down current savings by allowing more power-up time for the read DQ data in MR32 and MR40 data path after exit from standby, power-down mode.

**Figure 195: MPC[READ DQ CALIBRATION] Following Power-Down State**



## Write Training

The device uses an unmatched DQS-DQ path to enable high-speed performance and save power. As a result, the DQS strobe must be trained to arrive at the DQ latch center-aligned with the data eye. The DQ receiver is located at the DQ pad and has a shorter internal delay than the DQS signal. The DQ receiver will latch the data present on the



DQ bus when DQS reaches the latch, and training is accomplished by delaying the DQ signals relative to DQS such that the data eye arrives at the receiver latch centered on the DQS transition.

Two modes of training are available:

- Command-based FIFO WR/RD with user patterns
- An internal DQS clock-tree oscillator, which determines the need for, and the magnitude of, required training

The command-based FIFO WR/RD uses the MPC command with operands to enable this special mode of operation. When issuing the MPC command, if CA[5] is set LOW (OP[6] = 0), then the device will perform a NOP command. When CA[5] is set HIGH, the CA[4:0] pins enable training functions or are reserved for future use (RFU). MPC commands that initiate a read or write to the device must be followed immediately by a CAS-2 command. See the MPC Operation section for more information.

To perform write training, the controller can issue an MPC[WRITE-FIFO] command with OP[6:0] set, followed immediately by a CAS-2 command (CAS-2 operands should be driven LOW) to initiate a WRITE-FIFO. Timings for MPC[WRITE-FIFO] are identical to WRITE commands, with WL timed from the second rising clock edge of the CAS-2 command. Up to five consecutive MPC[WRITE-FIFO] commands with user-defined patterns may be issued to the device, which will store up to 80 values (BL16 × 5) per pin that can be read back via the MPC[READ-FIFO] command. (The WRITE/READ-FIFO POINTER operation is described in a different section.

After writing data with the MPC[WRITE-FIFO] command, the data can be read back with the MPC[READ-FIFO] command and results can be compared with "expected" data to determine whether further training (DQ delay) is needed. MPC[READ-FIFO] is initiated by issuing an MPC command, as described in the MPC Operation section, followed immediately by a CAS-2 command (CAS-2 operands must be driven LOW). Timings for the MPC[READ-FIFO] command are identical to READ commands, with RL timed from the second rising clock edge of the CAS-2 command.

READ-FIFO is nondestructive to the data captured in the FIFO; data may be read continuously until it is disturbed by another command, such as a READ, WRITE, or another MPC[WRITE-FIFO]. If fewer than five WRITE-FIFO commands are executed, unwritten registers will have undefined (but valid) data when read back.

For example: If five WRITE-FIFO commands are executed sequentially, then a series of READ-FIFO commands will read valid data from FIFO[0], FIFO[1]...FIFO[4] and then wrap back to FIFO[0] on the next READ-FIFO. However, if fewer than five WRITE-FIFO commands are executed sequentially (example = 3), then a series of READ-FIFO commands will return valid data for FIFO[0], FIFO[1], and FIFO[2], but the next two READ-FIFO commands will return undefined data for FIFO[3] and FIFO[4] before wrapping back to the valid data in FIFO[0].

The READ-FIFO pointer and WRITE-FIFO pointer are reset under the following conditions:

- Power-up initialization
- RESET\_n asserted
- Power-down entry
- Self refresh power-down entry



# 149-Ball NAND Flash with LPDDR4/LPDDR4X MCP Write Training

The MPC[WRITE-FIFO] command advances the WRITE-FIFO pointer, and the MPC[READ-FIFO] advances the READ-FIFO pointer. Also any normal (non-FIFO) READ operation (RD, RDA) advances both WRITE-FIFO pointer and READ-FIFO pointer. Issuing (non-FIFO) READ operation command is inhibited during write training period. To keep the pointers aligned, the SoC memory controller must adhere to the following restriction at the end of Write training period:

$$b = a + (n \times c)$$

Where:

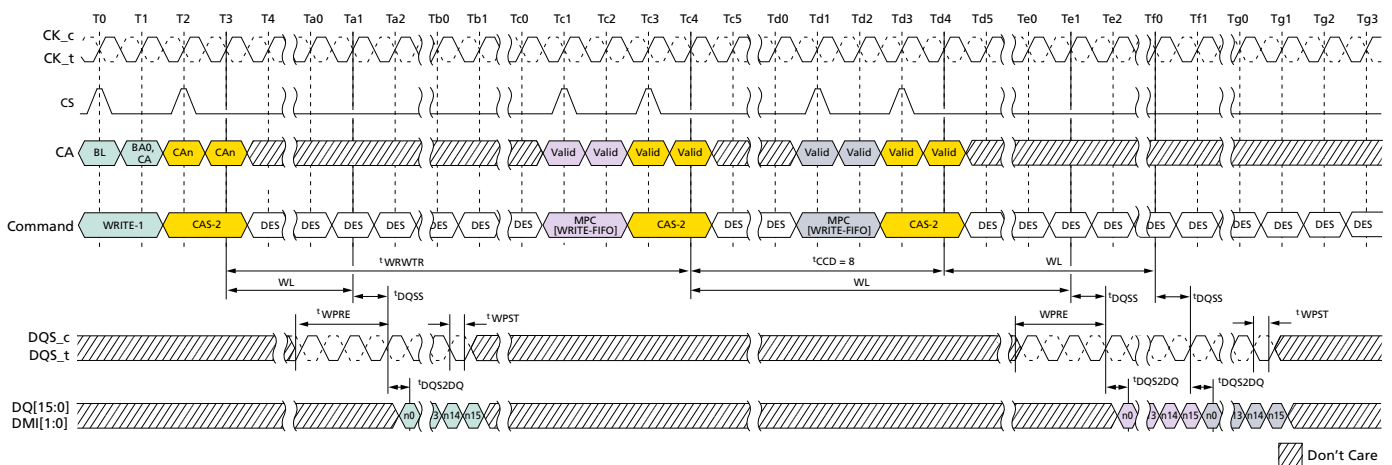
'a' is the number of MPC[WRITE-FIFO] commands

'b' is the number of MPC[READ-FIFO] commands

'c' is the FIFO depth (= 5 for LPDDR4)

'n' is a positive integer,  $\geq 0$

**Figure 196: WRITE-to-MPC[WRITE-FIFO] Operation Timing**

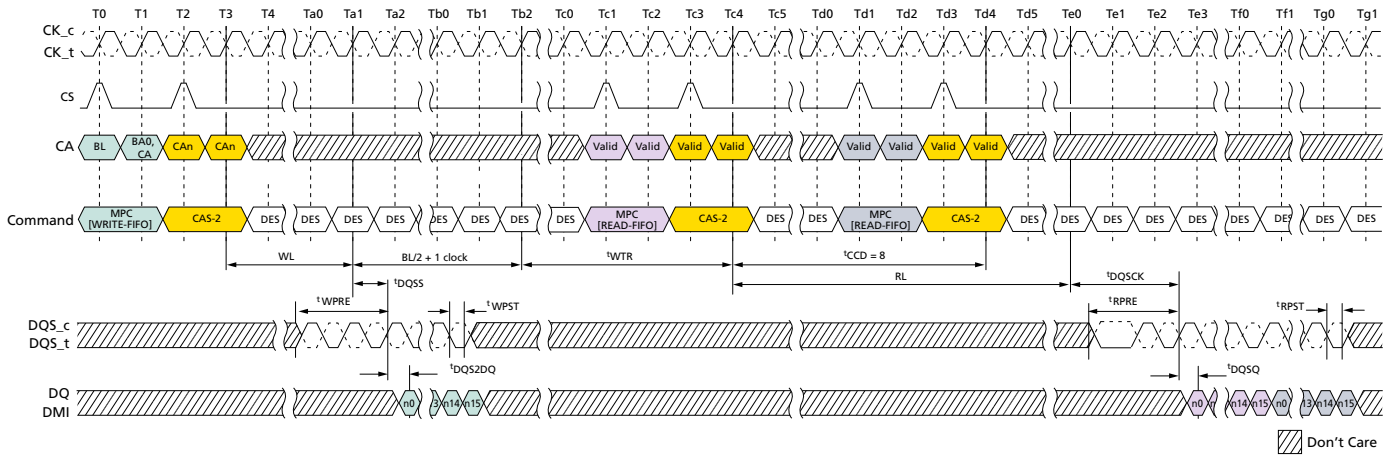


- Notes:
1. MPC[WRITE-FIFO] can be executed with a single bank or multiple banks active during REFRESH or during SELF REFRESH with CKE HIGH.
  2. Write-1 to MPC is shown as an example of command-to-command timing for MPC. Timing from Write-1 to MPC[WRITE-FIFO] is  $t_{WRWTR}$ .
  3. Seamless MPC[WR-FIFO] commands may be executed by repeating the command every  $t_{CCD}$  time.
  4. MPC[WRITE-FIFO] uses the same command-to-data timing relationship (WL,  $t_{DQSS}$ ,  $t_{DQS2DQ}$ ) as a WRITE-1 command.
  5. A maximum of five MPC[WRITE-FIFO] commands may be executed consecutively without corrupting FIFO data. The sixth MPC[WRITE-FIFO] command will overwrite the FIFO data from the first command. If fewer than five MPC[WRITE-FIFO] commands are executed, then the remaining FIFO locations will contain undefined data.
  6. For the CAS-2 command following an MPC command, the CAS-2 operands must be driven LOW.
  7. To avoid corrupting the FIFO contents, MPC[READ-FIFO] must immediately follow MPC[WRITE-FIFO]/CAS-2 without any other commands disturbing FIFO pointers in between. FIFO pointers are disturbed by CKE LOW, WRITE, MASKED WRITE, READ, READ DQ CALIBRATION, and MRR.
  8. BL = 16, Write postamble =  $0.5nCK$ .
  9. DES commands are shown for ease of illustration; other commands may be valid at these times.



# 149-Ball NAND Flash with LPDDR4/LPDDR4X MCP Write Training

**Figure 197: MPC[WRITE-FIFO]-to-MPC[READ-FIFO] Timing**



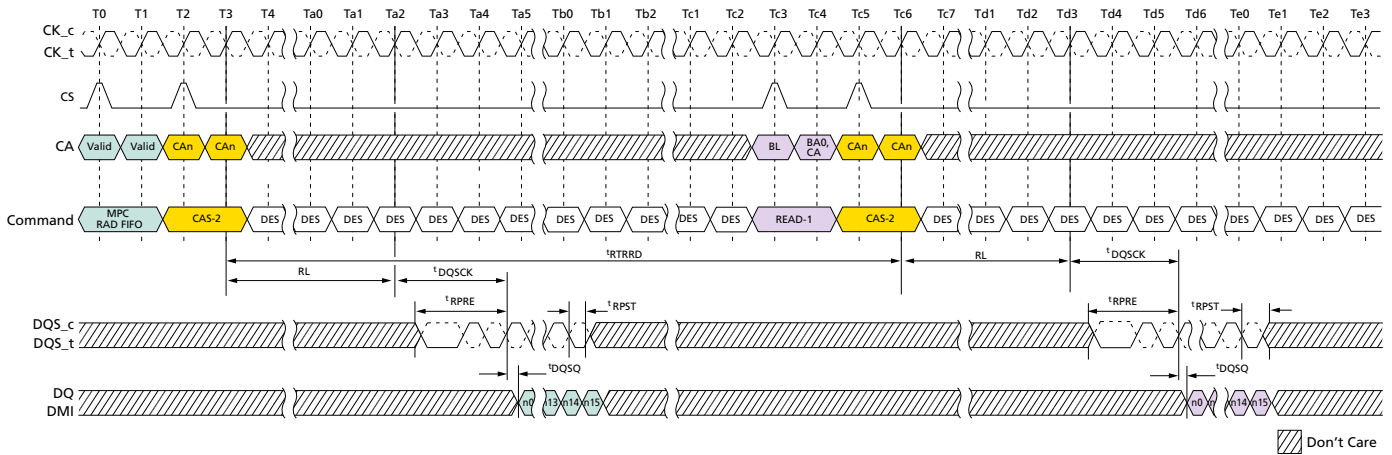
- Notes:
1. MPC[WRITE-FIFO] can be executed with a single bank or multiple banks active during refresh or during self refresh with CKE HIGH.
  2. MPC[WRITE-FIFO] to MPC[READ-FIFO] is shown as an example of command-to-command timing for MPC. Timing from MPC[WRITE-FIFO] to MPC[READ-FIFO] is specified in the command-to-command timing table.
  3. Seamless MPC[READ-FIFO] commands may be executed by repeating the command every  $t_{CCD}$  time.
  4. MPC[READ-FIFO] uses the same command-to-data timing relationship (RL,  $t_{DQSK}$ ,  $t_{DQSQ}$ ) as a READ-1 command.
  5. Data may be continuously read from the FIFO without any data corruption. After five MPC[READ-FIFO] commands, the FIFO pointer will wrap back to the first FIFO and continue advancing. If fewer than five MPC[WRITE-FIFO] commands were executed, then the MPC[READ-FIFO] commands to those FIFO locations will return undefined data. See Write Training for more information on the FIFO pointer behavior.
  6. For the CAS-2 command immediately following an MPC command, the CAS-2 operands must be driven LOW.
  7. DMI[1:0] signals will be driven if WR-DBI, RD-DBI, or DM is enabled in the mode registers. See Write Training section for more information on DMI behavior.
  8. BL = 16, Write postamble =  $0.5nCK$ , Read preamble: Toggle, Read postamble:  $0.5nCK$ .
  9. DES commands are shown for ease of illustration; other commands may be valid at these times.





# 149-Ball NAND Flash with LPDDR4/LPDDR4X MCP Write Training

**Figure 198: MPC[READ-FIFO] to Read Timing**



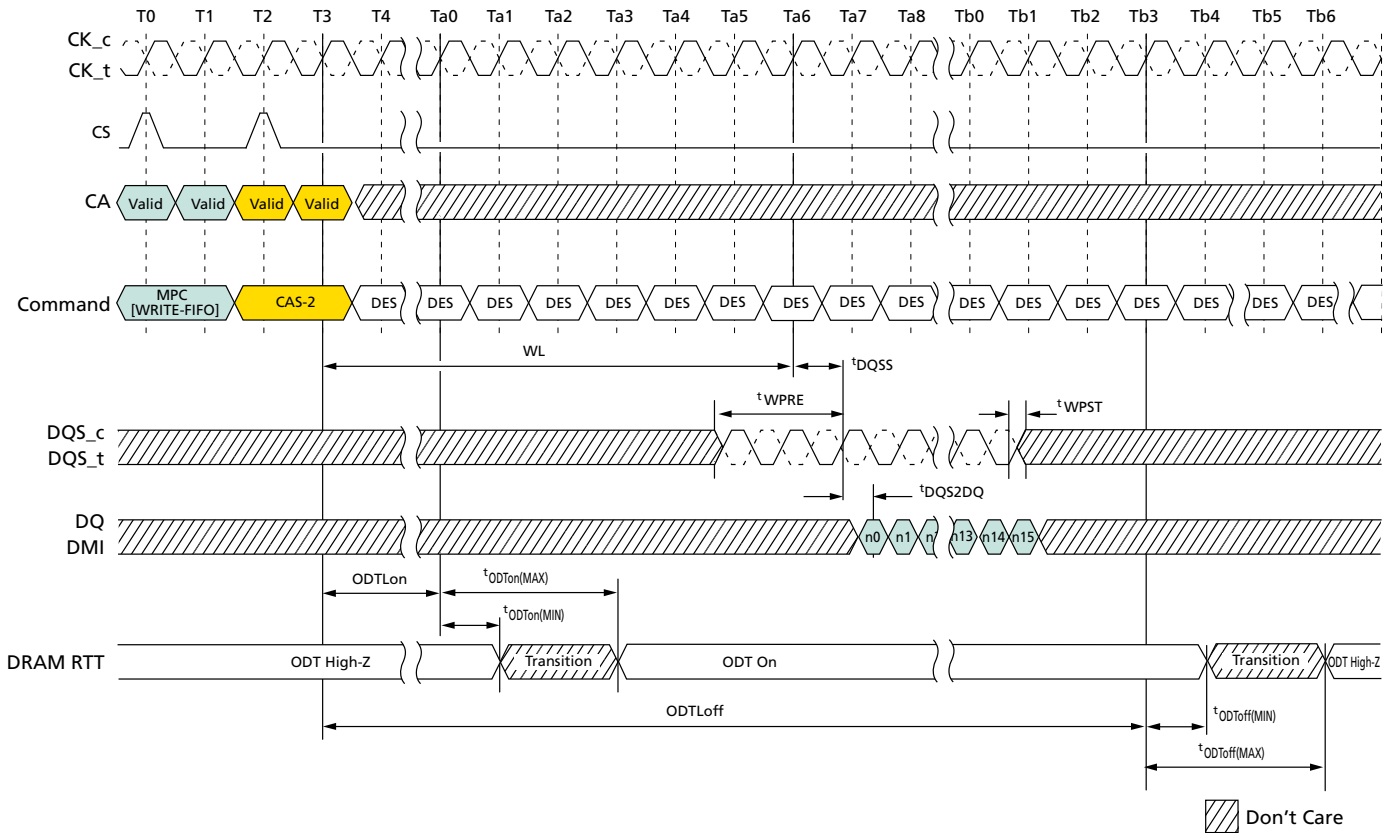
- Notes:
1. MPC[WRITE-FIFO] can be executed with a single bank or multiple banks active during refresh or during self refresh with CKE HIGH.
  2. MPC[READ-FIFO] to READ-1 operation is shown as an example of command-to-command timing for MPC. Timing from MPC[READ-FIFO] command to READ is  $t_{RTRRD}$ .
  3. Seamless MPC[READ-FIFO] commands may be executed by repeating the command every  $t_{CCD}$  time.
  4. MPC[READ-FIFO] uses the same command-to-data timing relationship (RL,  $t_{DQSK}$ ,  $t_{DQSQ}$ ) as a READ-1 command.
  5. Data may be continuously read from the FIFO without any data corruption. After five MPC[READ-FIFO] commands, the FIFO pointer will wrap back to the first FIFO and continue advancing. If fewer than five MPC[WRITE-FIFO] commands were executed, then the MPC[READ-FIFO] commands to those FIFO locations will return undefined data. See Write Training for more information on the FIFO pointer behavior.
  6. For the CAS-2 command immediately following an MPC command, the CAS-2 operands must be driven LOW.
  7. DMI[1:0] signals will be driven if WR-DBI, RD-DBI, or DM is enabled in the mode registers. See Write Training for more information on DMI behavior.
  8. BL = 16, Read preamble: Toggle, Read postamble:  $0.5nCK$
  9. DES commands are shown for ease of illustration; other commands may be valid at these times.





# 149-Ball NAND Flash with LPDDR4/LPDDR4X MCP Write Training

**Figure 199: MPC[WRITE-FIFO] with DQ ODT Timing**

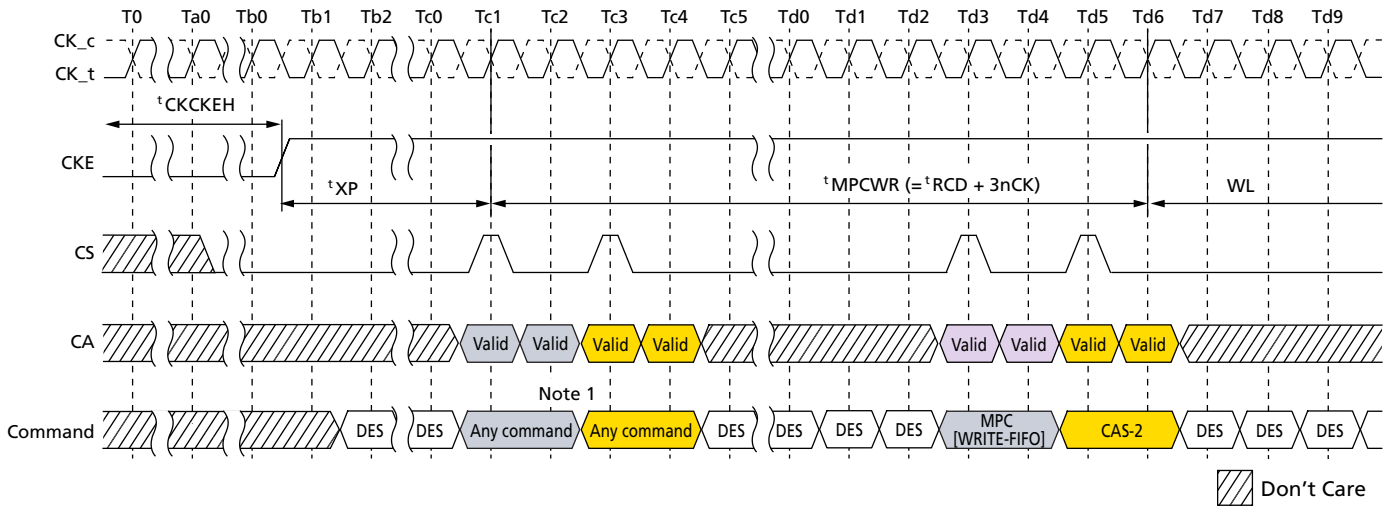


- Notes:
1. MPC[WRITE-FIFO] can be executed with a single bank or multiple banks active during refresh or during self refresh with **CKE HIGH**.
  2. MPC[WRITE-FIFO] uses the same command-to-data/ODT timing relationship ( $t_{RL}$ ,  $t_{DQSSCK}$ ,  $t_{DQS2DQ}$ ,  $t_{ODTLon}$ ,  $t_{ODTOff}$ ,  $t_{ODTon}$ ,  $t_{ODTOff}$ ) as a WRITE-1 command.
  3. For the CAS-2 command immediately following an MPC command, the CAS-2 operands must be driven **LOW**.
  4.  $BL = 16$ , Write postamble =  $0.5nCK$ .
  5. DES commands are shown for ease of illustration; other commands may be valid at these times.



# 149-Ball NAND Flash with LPDDR4/LPDDR4X MCP Write Training

**Figure 200: Power-Down Exit to MPC[WRITE-FIFO] Timing**



- Notes:
1. Any commands except MPC[WRITE-FIFO] and other exception commands defined other section in this document (for example, MPC[READ DQ CALIBRATION]).
  2. DES commands are shown for ease of illustration; other commands may be valid at these times.

**Table 165: MPC[WRITE-FIFO] AC Timing**

Parameter	Symbol	MIN/MAX	Value	Unit
Additional time after $t_{XP}$ has expired until MPC[WRITE-FIFO] command may be issued	$t_{MPCWR}$	MIN	$t_{RCD} + 3nCK$	–

## Internal Interval Timer

As voltage and temperature change on the device, the DQS clock-tree delay will shift, requiring retraining. The device includes an internal DQS clock-tree oscillator to measure the amount of delay over a given time interval (determined by the controller), allowing the controller to compare the trained delay value to the delay value seen at a later time. The DQS oscillator will provide the controller with important information regarding the need to retrain and the magnitude of potential error.

The DQS interval oscillator is started by issuing an MPC command with OP[6:0] set as described in MPC Operation, which will start an internal ring oscillator that counts the number of time a signal propagates through a copy of the DQS clock tree.

The DQS oscillator may be stopped by issuing an MPC[STOP DQS OSCILLATOR] command with OP[6:0] set as described in MPC Operation, or the controller may instruct the SDRAM to count for a specific number of clocks and then stop automatically (See MR23 for more information). If MR23 is set to automatically stop the DQS oscillator, then the MPC[STOP DQS OSCILLATOR] command should not be used (illegal). When the DQS oscillator is stopped by either method, the result of the oscillator counter is automatically stored in MR18 and MR19.

The controller may adjust the accuracy of the result by running the DQS interval oscillator for shorter (less accurate) or longer (more accurate) duration. The accuracy of the



## 149-Ball NAND Flash with LPDDR4/LPDDR4X MCP Write Training

result for a given temperature and voltage is determined by the following equation, where run time = total time between START and STOP commands and DQS delay = the value of the DQS clock tree delay ( $t^{\text{DQS2DQ}}(\text{MIN}) / (\text{MAX})$ ):

$$\text{DQS oscillator granularity error} = \frac{2 \times (\text{DQS delay})}{\text{run time}}$$

Additional matching error must be included, which is the difference between DQS training circuit and the actual DQS clock tree across voltage and temperature. The matching error is vendor specific. Therefore, the total accuracy of the DQS oscillator counter is given by:

$$\text{DQS oscillator accuracy} = 1 - \text{granularity error} - \text{matching error}$$

For example, if the total time between START and STOP commands is 100ns, and the maximum DQS clock tree delay is 800ps ( $t^{\text{DQS2DQ}}(\text{MAX})$ ), then the DQS oscillator granularity error is:

$$\text{DQS oscillator granularity error} = \frac{2 \times (0.8\text{ns})}{100\text{ns}} = 1.6\%$$

This equates to a granularity timing error of 12.8ps. Assuming a circuit matching error of 5.5ps across voltage and temperature, the accuracy is:

$$\text{DQS oscillator accuracy} = 1 - \frac{12.8 + 5.5}{800} = 97.7\%$$

For example, running the DQS oscillator for a longer period improves the accuracy. If the total time between START and STOP commands is 500ns, and the maximum DQS clock tree delay is 800ps ( $t^{\text{DQS2DQ}}(\text{MAX})$ ), then the DQS oscillator granularity error is:

$$\text{DQS oscillator granularity error} = \frac{2 \times (0.8\text{ns})}{500\text{ns}} = 0.32\%$$

This equates to a granularity timing error of 2.56ps. Assuming a circuit matching error of 5.5ps across voltage and temperature, the accuracy is:

$$\text{DQS oscillator accuracy} = 1 - \frac{2.56 + 5.5}{800} = 99.0\%$$

The result of the DQS interval oscillator is defined as the number of DQS clock tree delays that can be counted within the run time, determined by the controller. The result is stored in MR18-OP[7:0] and MR19-OP[7:0].

MR18 contains the least significant bits (LSB) of the result, and MR19 contains the most significant bits (MSB) of the result. MR18 and MR19 are overwritten by the SDRAM when a MPC[STOP DQS OSCILLATOR] command is received.

The SDRAM counter will count to its maximum value ( $= 2^{16}$ ) and stop. If the maximum value is read from the mode registers, the memory controller must assume that the counter overflowed the register and therefore discard the result. The longest run time for the oscillator that will not overflow the counter registers can be calculated as follows:

$$\text{Longest runtime interval} = 2^{16} \times t^{\text{DQS2DQ}}(\text{MIN}) = 2^{16} \times 0.2\text{ns} = 13.1\mu\text{s}$$



### DQS Interval Oscillator Matching Error

The interval oscillator matching error is defined as the difference between the DQS training ckt (interval oscillator) and the actual DQS clock tree across voltage and temperature.

Parameters:

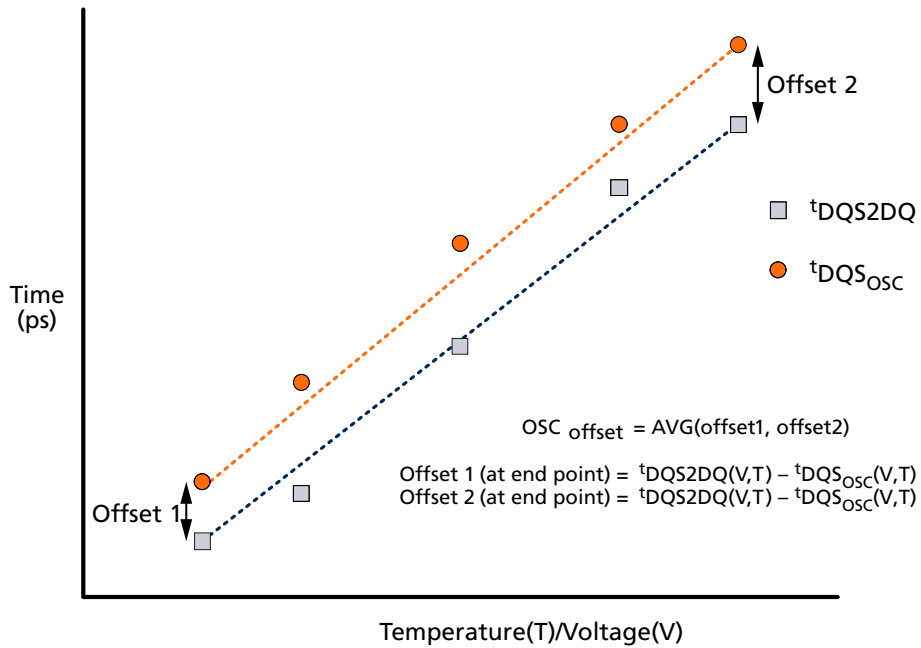
$t_{DQS2DQ}$ : Actual DQS clock tree delay

$t_{DQS_{OSC}}$ : Training ckt (interval oscillator) delay

$OSC_{Offset}$ : Average delay difference over voltage and temperature (shown below)

$OSC_{Match}$ : DQS oscillator matching error

**Figure 201: Interval Oscillator Offset –  $OSC_{Offset}$**



$OSC_{Match}$  :

$$OSC_{Match} = [ t_{DQS2DQ}(V,T) - t_{DQS_{OSC}}(V,T) - OSC_{offset} ]$$

$t_{DQS_{OSC}}$ :

$$t_{DQS_{OSC}}(V,T) = [ \frac{Runtime}{2 \times Count} ]$$

**Table 166: DQS Oscillator Matching Error Specification**

Parameter	Symbol	MIN	MAX	Unit	Notes
DQS oscillator matching error	$OSC_{Match}$	-20	20	ps	1, 2, 3, 4, 5, 6, 7, 8
DQS oscillator offset	$OSC_{offset}$	-100	100	ps	2, 4, 7

Notes: 1. The  $OSC_{Match}$  is the matching error per between the actual DQS and DQS interval oscillator over voltage and temperature.



2. This parameter will be characterized or guaranteed by design.
3. The  $OSC_{Match}$  is defined as the following:

$$OSC_{Match} = [ {}^tDQS2DQ(V, T) - {}^tDQS_{OSC}(V, T) - OSC_{offset} ]$$

Where  ${}^tDQS2DQ(V, T)$  and  ${}^tDQS_{OSC}(V, T)$  are determined over the same voltage and temperature conditions.

4. The runtime of the oscillator must be at least 200ns for determining  ${}^tDQS_{OSC}(V, T)$ .

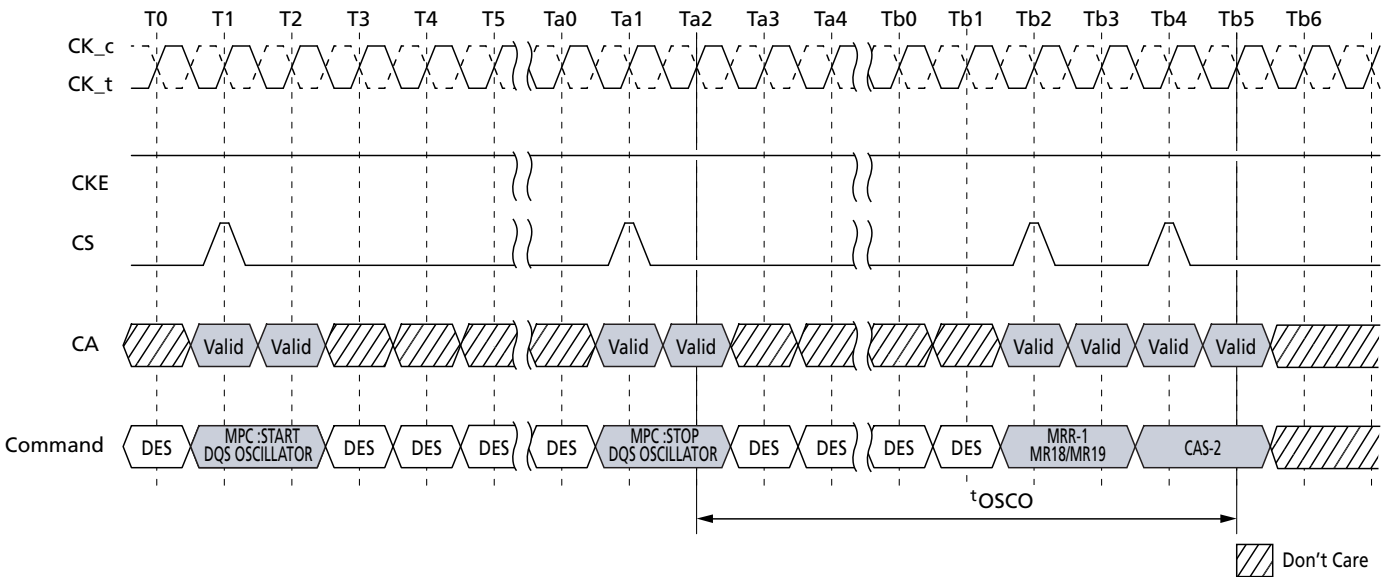
$${}^tDQS_{OSC}(V, T) = [ \frac{Runtime}{2 \times Count} ]$$

5. The input stimulus for  ${}^tDQS2DQ$  will be consistent over voltage and temperature conditions.
6. The  $OSC_{offset}$  is the average difference of the endpoints across voltage and temperature.
7. These parameters are defined per channel.
8.  ${}^tDQS2DQ(V, T)$  delay will be the average of DQS-to-DQ delay over the runtime period.

### OSC Count Readout Time

OSC Stop to its counting value readout timing is shown in following figures.

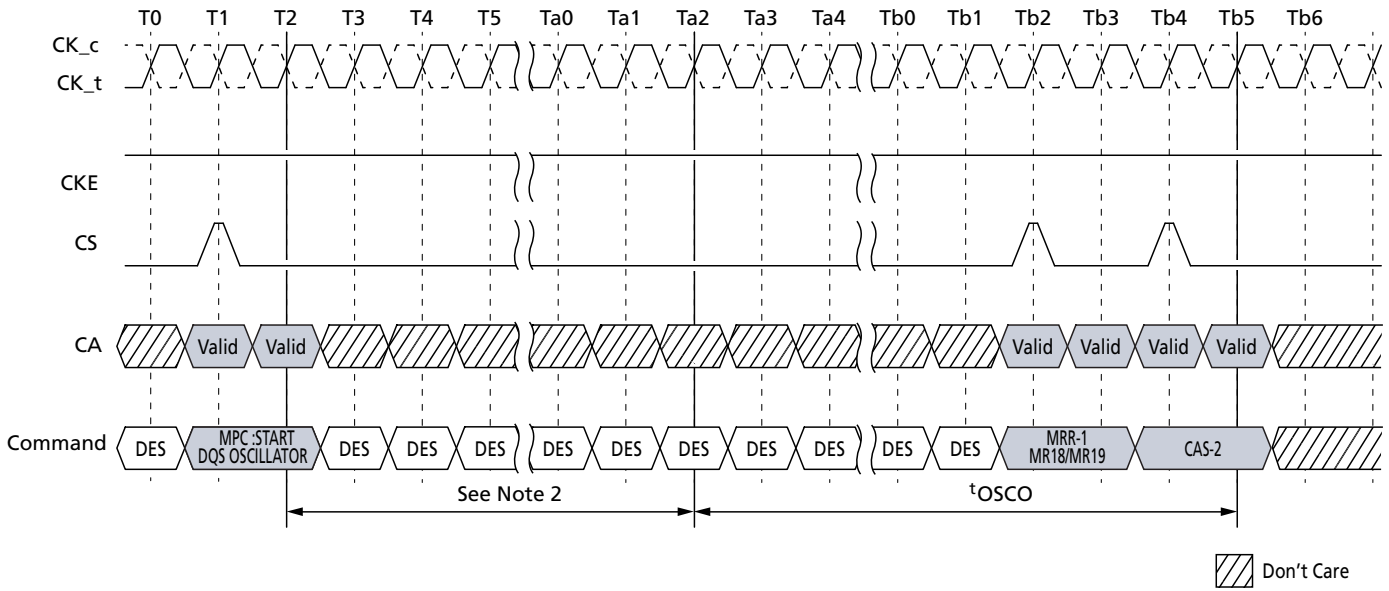
Figure 202: In Case of DQS Interval Oscillator is Stopped by MPC Command



Note: 1. DQS interval timer run time setting :MR23 OP[7:0] = 00000000b.



Figure 203: In Case of DQS Interval Oscillator is Stopped by DQS Interval Timer



- Notes: 1. DQS interval timer run time setting: MR23 OP[7:0] ≠ 00000000b.  
2. Setting counts of MR23.

Table 167: DQS Interval Oscillator AC Timing

Parameter	Symbol	MIN/MAX	Value	Unit
Delay time from OSC stop to mode register readout	$t_{OSCO}$	MIN	MAX(40ns, 8nCK)	ns

- Note: 1. START DQS OSCILLATOR command is prohibited until  $t_{OSCO}(\text{MIN})$  is satisfied.



## Thermal Offset

Because of tight thermal coupling, hot spots on an SOC can induce thermal gradients across the device. Because these hot spots may not be located near the thermal sensor, the temperature compensated self refresh (TCSR) circuit may not generate enough refresh cycles to guarantee memory retention. To address this shortcoming, the controller can provide a thermal offset that the memory can use to adjust its TCSR circuit to ensure reliable operation.

This thermal offset is provided through MR4 OP[6:5] to either or both channels (dual-channel devices). This temperature offset may modify refresh behaviour for the channel to which the offset is provided. It will take a maximum of 200µs to have the change reflected in MR4 OP[2:0] for the channel to which the offset is provided. If the induced thermal gradient from the device temperature sensor location to the hot spot location of the controller is greater than 15°C, self refresh mode will not reliably maintain memory contents.

To accurately determine the temperature gradient between the memory thermal sensor and the induced hot spot, the memory thermal sensor location must be provided to the controller.

## Temperature Sensor

The device has a temperature sensor that can be read from MR4. This sensor can be used to determine the appropriate refresh rate, to determine whether AC timing de-rating is required at an elevated temperature range, and to monitor the operating temperature. Either the temperature sensor or the device  $T_{OPER}$  can be used to determine if operating temperature requirements are being met.

The device monitors device temperature and updates MR4 according to  $t_{TSI}$ . Upon exiting self refresh or power-down, the device temperature status bits shall be no older than  $t_{TSI}$ .

When using the temperature sensor, the actual device case temperature may be higher than the  $T_{OPER}$  specification that applies to standard or elevated temperature ranges. For example,  $T_{CASE}$  may be above 85°C when MR4[2:0] = b011. The device enables a 2°C temperature margin between the point when the device updates the MR4 value and the point when the controller reconfigures the system accordingly. When performing tight thermal coupling of the device to external hot spots, the maximum device temperature may be higher than indicated by MR4.

To ensure proper operation when using the temperature sensor, consider the following:

- TempGradient is the maximum temperature gradient experienced by the device at the temperature of interest over a range of 2°C.
- ReadInterval is the time period between MR4 reads from the system.
- TempSensorInterval ( $t_{TSI}$ ) is the maximum delay between the internal updates of MR4.
- SysRespDelay is the maximum time between a read of MR4 and a response from the system.

In order to determine the required frequency of polling MR4, the system uses the TempGradient and the maximum response time of the system in the following equation:

$$\text{TempGradient} \times (\text{ReadInterval} + t_{TSI} + \text{SysRespDelay}) \leq 2^\circ\text{C}$$



Table 168: Temperature Sensor

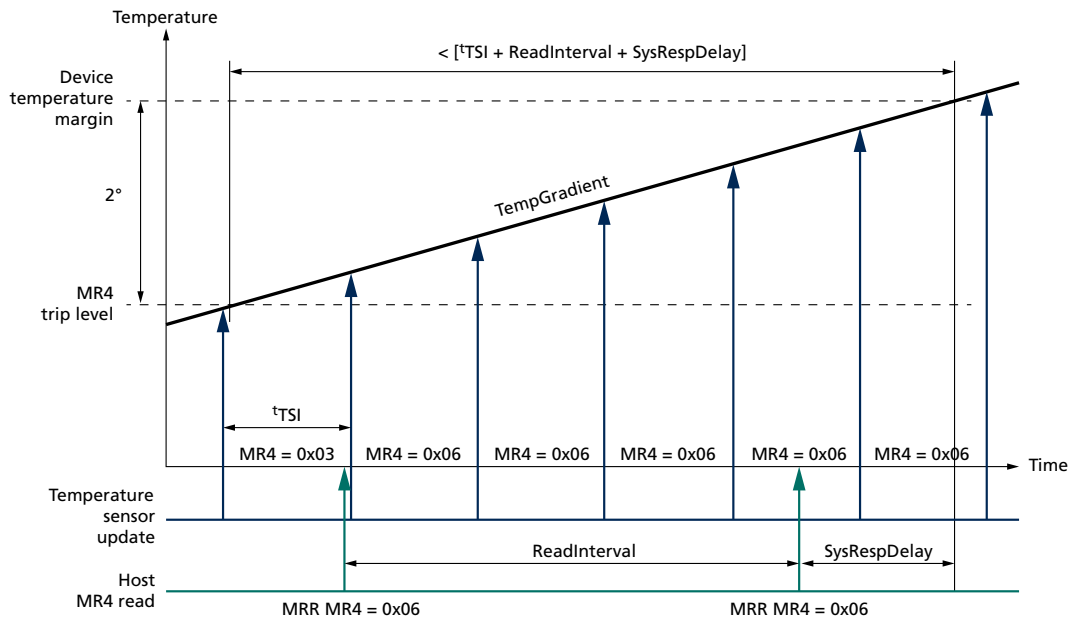
Parameter	Symbol	Max/Min	Value	Unit
System temperature gradient	TempGradient	MAX	System Dependent	°C/s
MR4 read interval	ReadInterval	MAX	System Dependent	ms
Temperature sensor interval	$t_{TSI}$	MAX	32	ms
System response delay	SysRespDelay	MAX	System Dependent	ms
Device temperature margin	TempMargin	MAX	2	°C

For example, if TempGradient is 10°C/s and the SysRespDelay is 1ms:

$$(10^{\circ}\text{C/s}) \times (\text{ReadInterval} + 32\text{ms} + 1\text{ms}) \leq 2^{\circ}\text{C}$$

In this case, ReadInterval shall be no greater than 167ms.

Figure 204: Temperature Sensor Timing



## ZQ Calibration

The MPC command is used to initiate ZQ calibration, which calibrates the output driver impedance and CA/DQ ODT impedance across process, temperature, and voltage. ZQ calibration occurs in the background of device operation and is designed to eliminate any need for coordination between channels (that is, it allows for channel independence). ZQ calibration is required each time that the PU-Cal value (MR3-OP[0]) is changed. Additional ZQ CALIBRATION commands may be required as the voltage and temperature change in the system environment. CA ODT values (MR11-OP[6:4]) and DQ ODT values (MR11-OP[2:0]) may be changed without performing ZQ calibration, as long as the PU-Cal value doesn't change.





# 149-Ball NAND Flash with LPDDR4/LPDDR4X MCP ZQ Calibration

There are two ZQ calibration modes initiated with the MPC command: ZQCAL START and ZQCAL LATCH. ZQCAL START initiates the calibration procedure, and ZQCAL LATCH captures the result and loads it into the drivers.

A ZQCAL START command may be issued anytime the device is not in a power-down state. A ZQCAL LATCH command may be issued anytime outside of power-down after  $t^{\prime}ZQCAL$  has expired and all DQ bus operations have completed. The CA bus must maintain a deselect state during  $t^{\prime}ZQLAT$  to allow CA ODT calibration settings to be updated. The DQ calibration value will not be updated until ZQCAL LATCH is performed and  $t^{\prime}ZQLAT$  has been met. The following mode register fields that modify I/O parameters cannot be changed following a ZQCAL START command and before  $t^{\prime}ZQCAL$  has expired:

- PU-Cal (pull-up calibration  $V_{OH}$  point)
- PDDS (pull-down drive strength and Rx termination)
- DQ ODT (DQ ODT value)
- CA ODT (CA ODT value)

## ZQCAL Reset

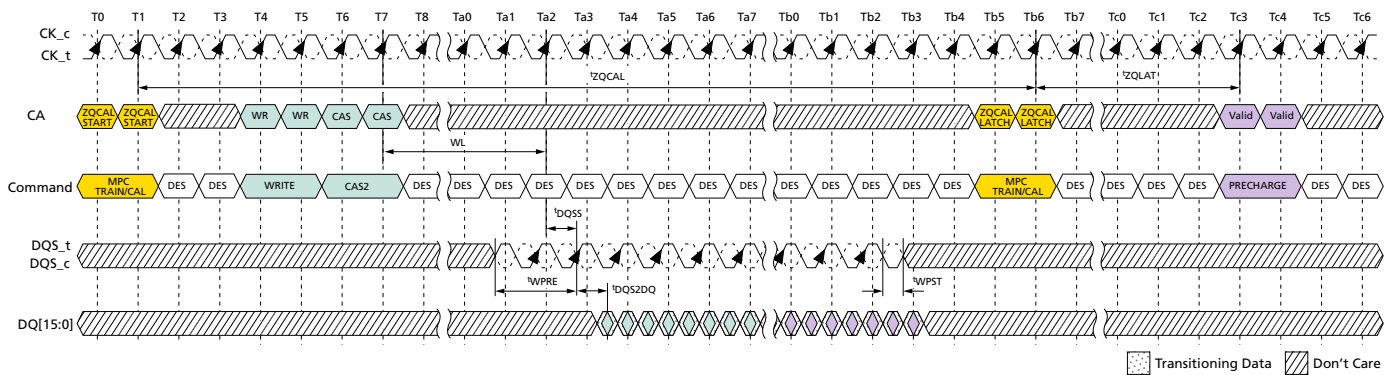
The ZQCAL RESET command resets the output impedance calibration to a default accuracy of  $\pm 30\%$  across process, voltage, and temperature. This command is used to ensure output impedance accuracy to  $\pm 30\%$  when ZQCAL START and ZQCAL LATCH commands are not used.

The ZQCAL RESET command is executed by writing MR10-OP[0] = 1B.

**Table 169: ZQ Calibration Parameters**

Parameter	Symbol	Min/Max	Value	Unit
ZQCAL START to ZQCAL LATCH command interval	$t^{\prime}ZQCAL$	MIN	1	$\mu s$
ZQCAL LATCH to next valid command interval	$t^{\prime}ZQLAT$	MIN	MAX(30ns, 8nCK)	ns
ZQCAL RESET to next valid command interval	$t^{\prime}ZQRESET$	MIN	MAX(50ns, 3nCK)	ns

**Figure 205: ZQCAL Timing**



Notes: 1. WRITE and PRECHARGE operations are shown for illustrative purposes. Any single or multiple valid commands may be executed within the  $t^{\prime}ZQCAL$  time and prior to latching the results.



2. Before the ZQCAL LATCH command can be executed, any prior commands that utilize the DQ bus must have completed. WRITE commands with DQ termination must be given enough time to turn off the DQ ODT before issuing the ZQCAL LATCH command. See the ODT section for ODT timing.

## Multichannel Considerations

The device includes a single ZQ pin and associated ZQ calibration circuitry. Calibration values from this circuit will be used by both channels according to the following protocol:

- The ZQCAL START command can be issued to either or both channels.
- The ZQCAL START command can be issued when either or both channels are executing other commands, and other commands can be issued during  $t^{\text{ZQCAL}}$ .
- The ZQCAL START command can be issued to both channels simultaneously.
- The ZQCAL START command will begin the calibration unless a previously requested ZQ calibration is in progress.
- If the ZQCAL START command is received while a ZQ calibration is in progress, the command will be ignored and the in-progress calibration will not be interrupted.
- The ZQCAL LATCH command is required for each channel.
- The ZQCAL LATCH command can be issued to both channels simultaneously.
- The ZQCAL LATCH command will latch results of the most recent ZQCAL START command provided  $t^{\text{ZQCAL}}$  has been met.
- ZQCAL LATCH commands that do not meet  $t^{\text{ZQCAL}}$  will latch the results of the most recently completed ZQ calibration.
- The ZQRESET MRW commands will only reset the calibration values for the channel issuing the command.

In compliance with complete channel independence, either channel may issue ZQCAL START and ZQCAL LATCH commands as needed without regard to the state of the other channel.

## ZQ External Resistor, Tolerance, and Capacitive Loading

To use the ZQ CALIBRATION function, a 240 ohms,  $\pm 1\%$  tolerance external resistor must be connected between the ZQ pin and  $V_{\text{DDQ}}$ .

If the system configuration shares the CA bus to form a x32 (or wider) channel, the ZQ pin of each die's x16 channel must use a separate ZQCAL resistor.

If the system configuration has more than one rank, and if the ZQ pins of both ranks are attached to a single resistor, then the SDRAM controller must ensure that the ZQCAL's don't overlap.

The total capacitive loading on the ZQ pin must be limited to 25pF. For example, if a system configuration shares a CA bus between  $n$  channels to form an  $n$  x16 wide bus, and no means are available to control the ZQCAL separately for each channel (that is, separate CS, CKE, or CK), then each x16 channel must have a separate ZQCAL resistor. For a x32, two-rank system, each x16 channel must have its own ZQCAL resistor, but the ZQCAL resistor can be shared between ranks on each x16 channel. In this configuration, the CS signal can be used to ensure that the ZQCAL commands for Rank[0] and Rank[1] don't overlap.



## Frequency Set Points

Frequency set points enable the CA bus to be switched between two differing operating frequencies with changes in voltage swings and termination values, without ever being in an untrained state, which could result in a loss of communication to the device. This is accomplished by duplicating all CA bus mode register parameters, as well as other mode register parameters commonly changed with operating frequency.

These duplicated registers form two sets that use the same mode register addresses, with read/write access controlled by MR bit FSP-WR (frequency set point write/read) and the operating point controlled by MR bit FSP-OP (FREQUENCY SET POINT operation). Changing the FSP-WR bit enables MR parameters to be changed for an alternate frequency set point without affecting the current operation.

Once all necessary parameters have been written to the alternate set point, changing the FSP-OP bit will switch operation to use all of the new parameters simultaneously (within  $t_{FC}$ ), eliminating the possibility of a loss of communication that could be caused by a partial configuration change.

Parameters that have two physical registers controlled by FSP-WR and FSP-OP include those in the following table.

**Table 170: Mode Register Function With Two Physical Registers**

MR Number	Operand	Function	Notes
MR1	OP[2]	WR-PRE (Write preamble length)	
	OP[3]	RD-PRE (Read preamble type)	
	OP[6:4]	$n$ WR (Write-recovery for AUTO PRECHARGE command)	
	OP[7]	RD-PST (Read postamble length)	
MR2	OP[2:0]	RL (READ latency)	
	OP[5:3]	WL (WRITE latency)	
	OP[6]	WLS (WRITE latency set)	
MR3	OP[0]	PU-CAL (Pull-up calibration point)	1
	OP[1]	WR-PST (Write postamble length)	
	OP[5:3]	PDDS (Pull-down drive strength)	
	OP[6]	DBI-RD (DBI-read enable)	
	OP[7]	DBI-WR (DBI-write enable)	
MR11	OP[2:0]	DQ ODT (DQ bus receiver on-die termination)	
	OP[6:4]	CA ODT (CA bus receiver on-die termination)	
MR12	OP[5:0]	$V_{REF(CA)}$ ( $V_{REF(CA)}$ setting)	
	OP[6]	$VR_{CA}$ ( $V_{REF(CA)}$ range)	
MR14	OP[5:0]	$V_{REF(DQ)}$ ( $V_{REF(DQ)}$ setting)	
	OP[6]	$VR_{DQ}$ ( $V_{REF(DQ)}$ range)	



## 149-Ball NAND Flash with LPDDR4/LPDDR4X MCP Frequency Set Points

**Table 170: Mode Register Function With Two Physical Registers (Continued)**

MR Number	Operand	Function	Notes
MR22	OP[2:0]	SOC ODT (Controller ODT value for $V_{OH}$ calibration)	
	OP[3]	ODTE-CK (CK ODT enabled for non-terminating rank)	
	OP[4]	ODTE-CS (CS ODT enable for non-terminating rank)	
	OP[5]	ODTD-CA (CA ODT termination disable)	

Note: 1. For dual-channel devices, PU-CAL setting is required as the same value for both Ch.A and Ch.B before issuing ZQCAL START command. See Mode Register Definition section for more details.

The table below shows how the two mode registers for each of the parameters in the previous table can be modified by setting the appropriate FSP-WR value and how device operation can be switched between operating points by setting the appropriate FSP-OP value. The FSP-WR and FSP-OP functions operate completely independently.

**Table 171: Relation Between MR Setting and DRAM Operation**

Function	MR# and Operand	Data	Operation	Notes
FSP-WR	MR13 OP[6]	0 (default)	Data write to mode register N for FSP-OP[0] by MRW command.	1
			Data read from mode register N for FSP-OP[0] by MRR command.	
		1	Data write to mode register N for FSP-OP[1] by MRW command.	
			Data read from mode register N for FSP-OP[1] by MRR command.	
FSP-OP	MR13 OP[7]	0 (default)	DRAM operates with mode register N for FSP-OP[0] setting.	2
		1	DRAM operates with mode register N for FSP-OP[1] setting.	

Notes: 1. FSP-WR stands for frequency set point write/read.  
2. FSP-OP stands for frequency set point operating point.

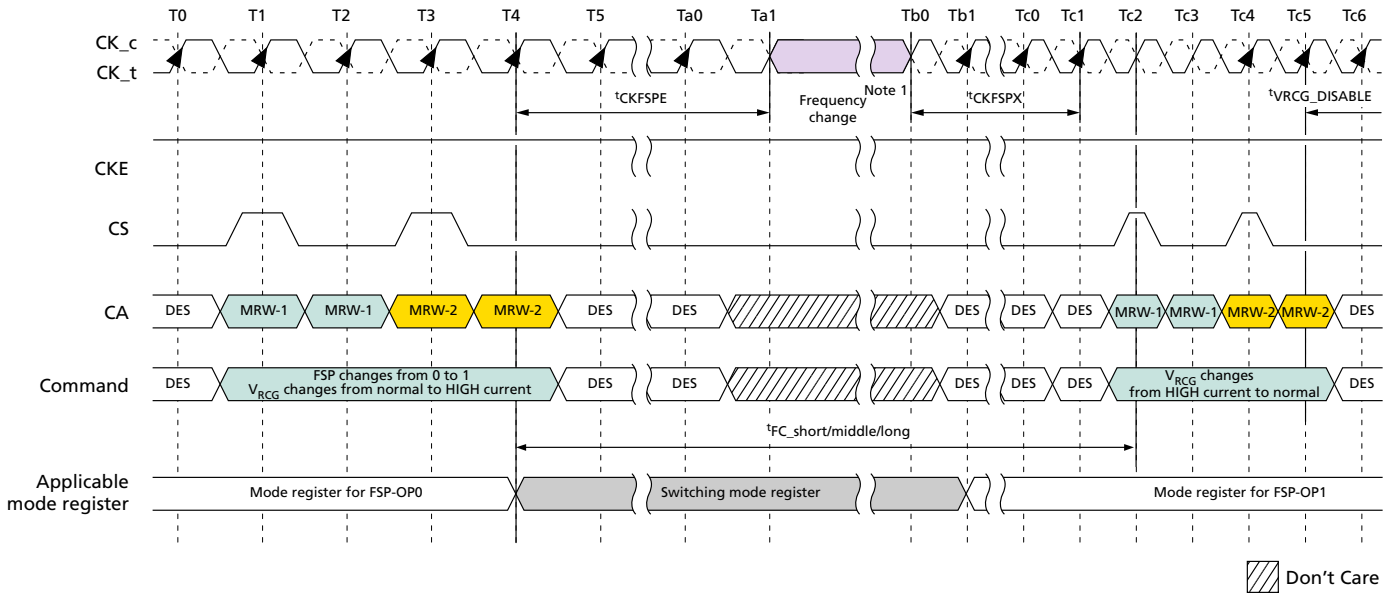
### Frequency Set Point Update Timing

The frequency set point update timing is shown below. When changing the frequency set point via MR13 OP[7], the  $V_{RCG}$  setting: MR13 OP[3] have to be changed into  $V_{REF}$  fast response (high current) mode at the same time. After frequency change time ( $t_{FC}$ ) is satisfied,  $V_{RCG}$  can be changed into normal operation mode via MR13 OP[3].



# 149-Ball NAND Flash with LPDDR4/LPDDR4X MCP Frequency Set Points

**Figure 206: Frequency Set Point Switching Timing**



Note: 1. For frequency change during frequency set point switching, refer to Input Clock Stop and Frequency Change section.

**Table 172: Frequency Set Point AC Timing**

Parameter	Symbol	Min/Max	Data Rate				Unit	Notes
			1600	3200	3733	4267		
Frequency set point switching time	$t_{FC\_short}$	MIN	200				ns	1
	$t_{FC\_middle}$	MIN	200				ns	
	$t_{FC\_long}$	MIN	250				ns	
Valid clock requirement after entering FSP change	$t_{CKFSPE}$	MIN	MAX(7.5ns, 4nCK)				–	
Valid clock requirement before first valid command after FSP change	$t_{CKFSPX}$	MIN	MAX(7.5ns, 4nCK)				–	

Note: 1. Frequency set point switching time depends on value of  $V_{REF(CA)}$  setting: MR12 OP[5:0] and  $V_{REF(CA)}$  range: MR12 OP[6] of FSP-OP 0 and 1. The details are shown in table below. Additionally change of frequency set point may affect  $V_{REF(DQ)}$  setting. Settling time of  $V_{REF(DQ)}$  level is the same as  $V_{REF(CA)}$  level.

**Table 173:  $t_{FC}$  Value Mapping**

Application	Step Size		Range	
	From FSP-OP0	To FSP-OP1	From FSP -OP0	To FSP-OP1
$t_{FC\_short}$	Base	A single step size increment/decrement	Base	No change
$t_{FC\_middle}$	Base	Two or more step size increment/decrement	Base	No change



## 149-Ball NAND Flash with LPDDR4/LPDDR4X MCP Frequency Set Points

**Table 173:  $t_{FC}$  Value Mapping (Continued)**

Application	Step Size		Range	
	From FSP-OP0	To FSP-OP1	From FSP -OP0	To FSP-OP1
$t_{FC\_long}$	–	–	Base	Change

Note: 1. As well as change from FSP-OP1 to FSP-OP0.

**Table 174:  $t_{FC}$  Value Mapping: Example**

Case	From/To	FSP-OP: MR13 OP[7]	$V_{REF(CA)}$ Setting: MR12: OP[5:0]	$V_{REF(CA)}$ Range: MR12 OP[6]	Application	Notes
1	From	0	001100	0	$t_{FC\_short}$	1
	To	1	001101	0		
2	From	0	001100	0	$t_{FC\_middle}$	2
	To	1	001110	0		
3	From	0	Don't Care	0	$t_{FC\_long}$	3
	To	1	Don't Care	1		

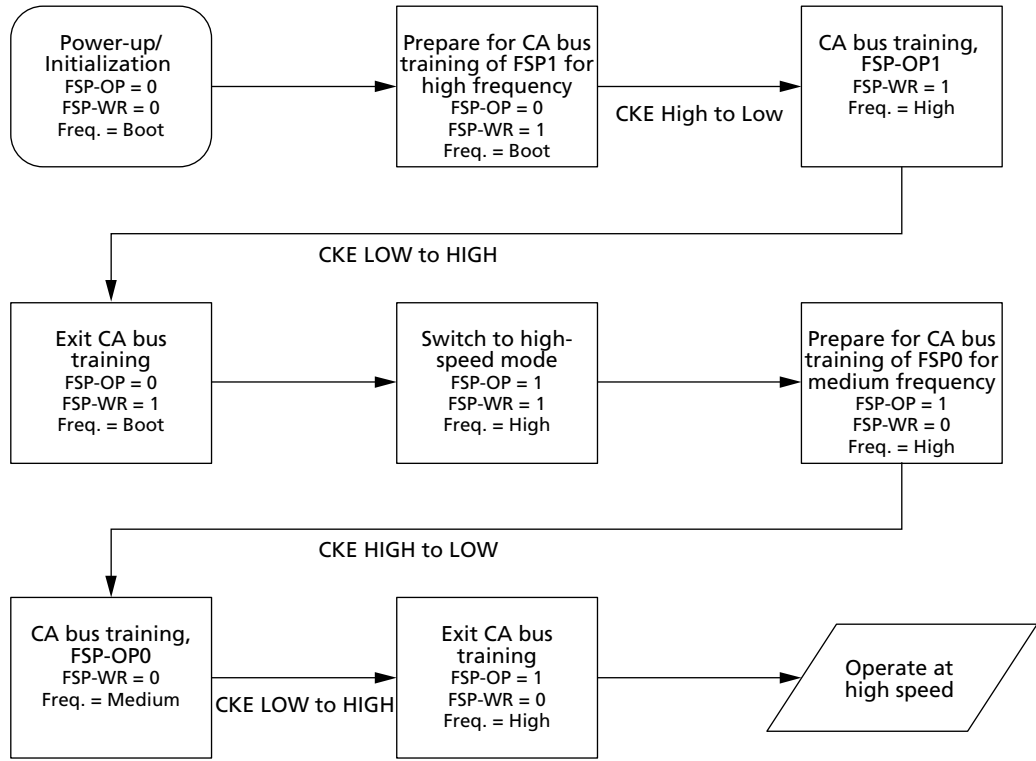
- Notes:
1. A single step size increment/decrement for  $V_{REF(CA)}$  setting value.
  2. Two or more step size increment/decrement for  $V_{REF(CA)}$  setting value.
  3.  $V_{REF(CA)}$  range is changed. In this case, changing  $V_{REF(CA)}$  setting doesn't affect  $t_{FC}$  value.

The LPDDR4 SDRAM defaults to FSP-OP[0] at power-up. Both set points default to settings needed to operate in un-terminated, low-frequency environments. To enable the device to operate at higher frequencies, Command bus training mode should be utilized to train the alternate frequency set point. See Command Bus Training section for more details on this training mode.



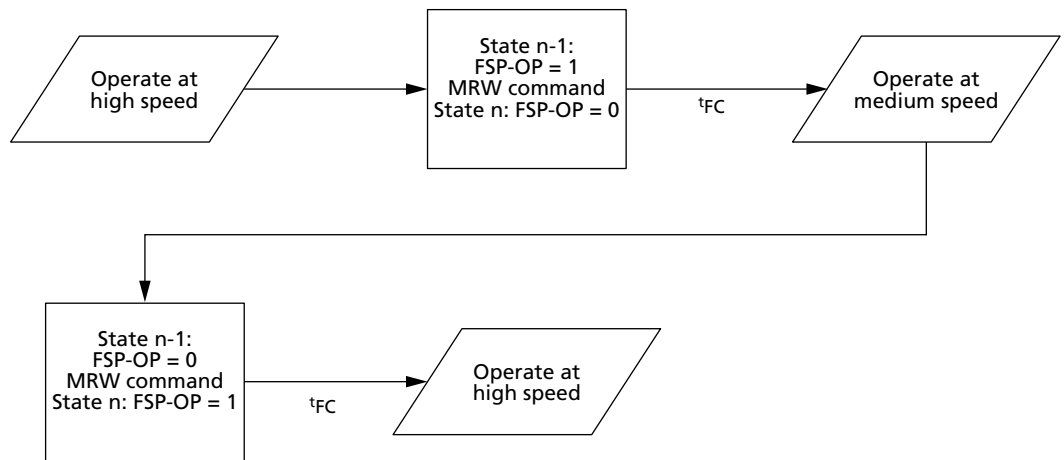
# 149-Ball NAND Flash with LPDDR4/LPDDR4X MCP Frequency Set Points

**Figure 207: Training for Two Frequency Set Points**



Once both of the frequency set points have been trained, switching between points can be performed with a single MRW followed by waiting for time  $t_{FC}$ .

**Figure 208: Example of Switching Between Two Trained Frequency Set Points**

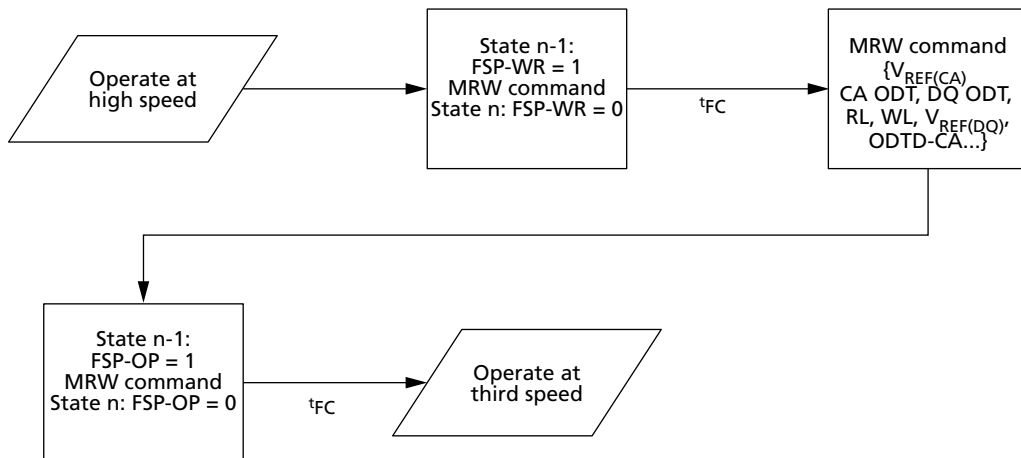


Switching to a third (or more) set point can be accomplished if the memory controller has stored the previously-trained values (in particular the  $V_{REF(CA)}$  calibration value) and rewrites these to the alternate set point before switching FSP-OP.



# 149-Ball NAND Flash with LPDDR4/LPDDR4X MCP Pull-Up and Pull-Down Characteristics and Calibration

Figure 209: Example of Switching to a Third Trained Frequency Set Point



## Pull-Up and Pull-Down Characteristics and Calibration

Table 175: Pull-Down Driver Characteristics – ZQ Calibration

$R_{ONPD,nom}$	Register	Min	Nom	Max	Unit
40 ohms	$R_{ON40PD}$	0.90	1.0	1.10	$R_{ZQ}/6$
48 ohms	$R_{ON48PD}$	0.90	1.0	1.10	$R_{ZQ}/5$
60 ohms	$R_{ON60PD}$	0.90	1.0	1.10	$R_{ZQ}/4$
80 ohms	$R_{ON80PD}$	0.90	1.0	1.10	$R_{ZQ}/3$
120 ohms	$R_{ON120PD}$	0.90	1.0	1.10	$R_{ZQ}/2$
240 ohms	$R_{ON240PD}$	0.90	1.0	1.10	$R_{ZQ}/1$

Note: 1. All value are after ZQ calibration. Without ZQ calibration,  $R_{ONPD}$  values are  $\pm 30\%$ .

Table 176: Pull-Up Characteristics – ZQ Calibration

$V_{OHPU,nom}$	$V_{OH,nom}$	Min	Nom	Max	Unit
$V_{DDQ} \times 0.5$	300	0.90	1.0	1.10	$V_{OH,nom}$
$V_{DDQ} \times 0.6$	360	0.90	1.0	1.10	$V_{OH,nom}$

Notes: 1. All value are after ZQ calibration. Without ZQ calibration,  $R_{ONPD}$  values are  $\pm 30\%$ .  
2.  $V_{OH,nom}$  (mV) values are based on a nominal  $V_{DDQ} = 0.6V$ .

Table 177: Valid Calibration Points

$V_{OHPU}$	ODT Value					
	240	120	80	60	48	40
$V_{DDQ} \times 0.5$	Valid	Valid	Valid	Valid	Valid	Valid





# 149-Ball NAND Flash with LPDDR4/LPDDR4X MCP On-Die Termination for the Command/Address Bus

**Table 177: Valid Calibration Points (Continued)**

V <sub>OHPU</sub>	ODT Value					
	240	120	80	60	48	40
V <sub>DDQ</sub> × 0.6	DNU	Valid	DNU	Valid	DNU	DNU

- Notes:
1. After the output is calibrated for a given V<sub>OH,nom</sub> calibration point, the ODT value may be changed without recalibration.
  2. If the V<sub>OH,nom</sub> calibration point is changed, then recalibration is required.
  3. DNU = Do not use.

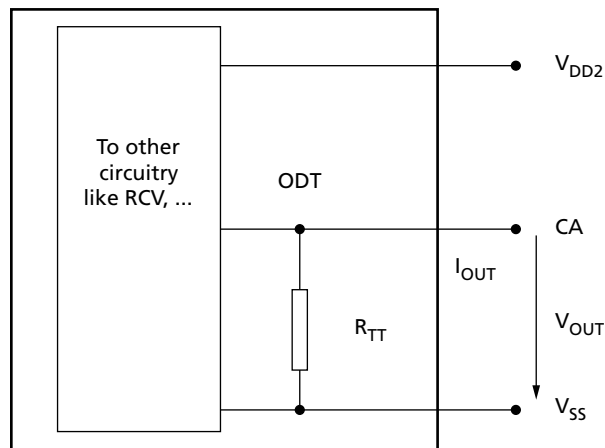
## On-Die Termination for the Command/Address Bus

The on-die termination (ODT) feature allows the device to turn on/off termination resistance for CK<sub>t</sub>, CK<sub>c</sub>, CS, and CA[5:0] signals without the ODT control pin. The ODT feature is designed to improve signal integrity of the memory channel by allowing the DRAM controller to turn on and off termination resistance for any target DRAM devices via the mode register setting.

A simple functional representation of the DRAM ODT feature is shown below.

**Figure 210: ODT for CA**

$$R_{TT} = \frac{V_{OUT}}{|I_{OUT}|}$$



## ODT Mode Register and ODT State Table

ODT termination values are set and enabled via MR11. The CA bus (CK<sub>t</sub>, CK<sub>c</sub>, CS, CA[5:0]) ODT resistance values are set by MR11 OP[6:4]. The default state for the CA is ODT disabled.

ODT is applied on the CA bus to the CK<sub>t</sub>, CK<sub>c</sub>, CS, and CA signals. Generally only one termination load will be present even if multiple devices are sharing the command signals. In contrast to LPDDR4 where the ODT<sub>CA</sub> input is used in combination with mode registers, LPDDR4X uses mode registers exclusively to enable CA termination. Be-



## 149-Ball NAND Flash with LPDDR4/LPDDR4X MCP On-Die Termination for the Command/Address Bus

fore enabling CA termination via MR11, all ranks should have appropriate MR22 termination settings programmed. In a multi rank system, the terminating rank should be trained first, followed by the non-terminating rank(s).

**Table 178: Command Bus ODT State**

CA ODT MR11[6:4]	ODTD-CA MR22 OP[5]	ODTE-CK MR22 OP[3]	ODTE-CS MR22 OP[4]	ODT State for CA	ODT State for CK	ODT State for CS
Disabled <sup>1</sup>	Valid <sup>2</sup>	Valid <sup>2</sup>	Valid <sup>2</sup>	Off	Off	Off
Valid <sup>2</sup>	0	0	0	On	On	On
Valid <sup>2</sup>	0	0	1	On	On	Off
Valid <sup>2</sup>	0	1	0	On	Off	On
Valid <sup>2</sup>	0	1	1	On	Off	Off
Valid <sup>2</sup>	1	0	0	Off	On	On
Valid <sup>2</sup>	1	0	1	Off	On	Off
Valid <sup>2</sup>	1	1	0	Off	Off	On
Valid <sup>2</sup>	1	1	1	Off	Off	Off

- Notes: 1. Default value  
2. Valid = 0 or 1

### ODT Mode Register and ODT Characteristics

**Table 179: ODT DC Electrical Characteristics for Command/Address Bus**

$R_{ZQ} = 240\Omega \pm 1\%$  over entire operating range after calibration

MR11 OP[6:4]	$R_{TT}$	$V_{OUT}$	Min	Nom	Max	Unit	Notes
001b	240 $\Omega$	$V_{OL(DC)} = 0.2 \times V_{DDQ}$	0.8	1.0	1.1	$R_{ZQ}/1$	1, 2
		$V_{OM(DC)} = 0.50 \times V_{DDQ}$	0.9	1.0	1.1		
		$V_{OH(DC)} = 0.75 \times V_{DDQ}$	0.9	1.0	1.3		
010b	120 $\Omega$	$V_{OL(DC)} = 0.2 \times V_{DDQ}$	0.8	1.0	1.1	$R_{ZQ}/2$	1, 2
		$V_{OM(DC)} = 0.50 \times V_{DDQ}$	0.9	1.0	1.1		
		$V_{OH(DC)} = 0.75 \times V_{DDQ}$	0.9	1.0	1.3		
011b	80 $\Omega$	$V_{OL(DC)} = 0.2 \times V_{DDQ}$	0.8	1.0	1.1	$R_{ZQ}/3$	1, 2
		$V_{OM(DC)} = 0.50 \times V_{DDQ}$	0.9	1.0	1.1		
		$V_{OH(DC)} = 0.75 \times V_{DDQ}$	0.9	1.0	1.3		
100b	60 $\Omega$	$V_{OL(DC)} = 0.2 \times V_{DDQ}$	0.8	1.0	1.1	$R_{ZQ}/4$	1, 2
		$V_{OM(DC)} = 0.50 \times V_{DDQ}$	0.9	1.0	1.1		
		$V_{OH(DC)} = 0.75 \times V_{DDQ}$	0.9	1.0	1.3		
101b	48 $\Omega$	$V_{OL(DC)} = 0.2 \times V_{DDQ}$	0.8	1.0	1.1	$R_{ZQ}/5$	1, 2
		$V_{OM(DC)} = 0.50 \times V_{DDQ}$	0.9	1.0	1.1		
		$V_{OH(DC)} = 0.75 \times V_{DDQ}$	0.9	1.0	1.3		



# 149-Ball NAND Flash with LPDDR4/LPDDR4X MCP DQ On-Die Termination

**Table 179: ODT DC Electrical Characteristics for Command/Address Bus (Continued)**

$R_{ZQ} = 240\Omega \pm 1\%$  over entire operating range after calibration

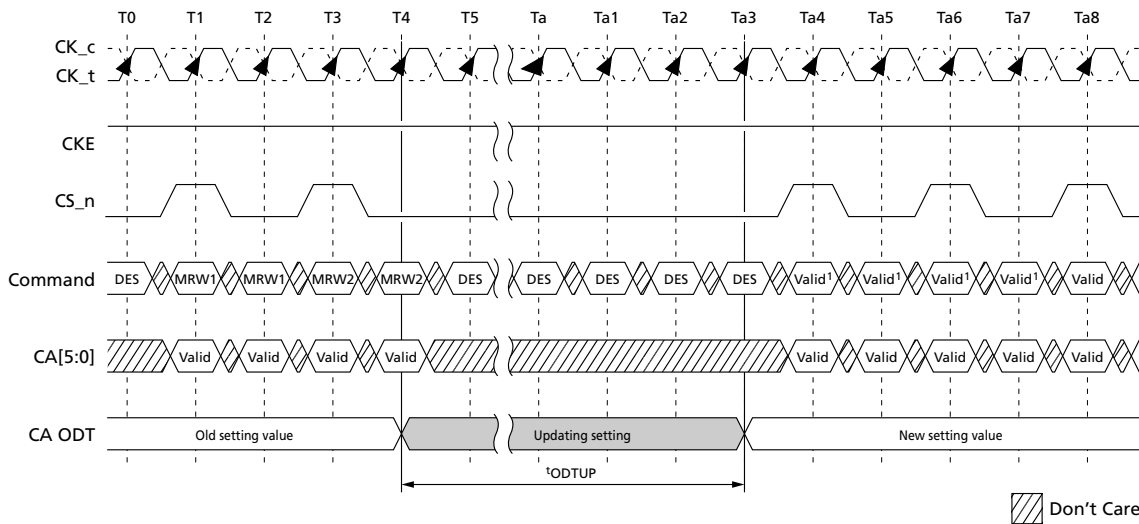
MR11 OP[6:4]	$R_{TT}$	$V_{OUT}$	Min	Nom	Max	Unit	Notes
110b	40 $\Omega$	$V_{OL(DC)} = 0.2 \times V_{DDQ}$	0.8	1.0	1.1	$R_{ZQ}/6$	1, 2
		$V_{OM(DC)} = 0.50 \times V_{DDQ}$	0.9	1.0	1.1		
		$V_{OH(DC)} = 0.75 \times V_{DDQ}$	0.9	1.0	1.3		
Mismatch CA-to-CA within clock group		$0.50 \times V_{DDQ}$	–	–	2	%	1, 2, 3

- Notes:
1. The tolerance limits are specified after calibration with stable temperature and voltage. To understand the behavior of the tolerance limits when voltage or temperature changes after calibration, see the section on voltage and temperature sensitivity.
  2. Pull-down ODT resistors are recommended to be calibrated at  $0.50 \times V_{DDQ}$ . Other calibration points may be used to achieve the linearity specification shown above, for example, calibration at  $0.75 \times V_{DDQ}$  and  $0.20 \times V_{DDQ}$ .
  3. CA to CA mismatch within clock group variation for a given component including CK\_t, CK\_c, and CS (characterized).

$$\text{CA-to-CA mismatch} = \frac{R_{ODT}(\text{MAX}) - R_{ODT}(\text{MIN})}{R_{ODT}(\text{AVG})}$$

## ODT for CA Update Time

**Figure 211: ODT for CA Setting Update Timing in 4-Clock Cycle Command**



## DQ On-Die Termination

On-die termination (ODT) is a feature that allows the device to turn on/off termination resistance for each DQ, DQS, and DMI signal without the ODT control pin. The ODT feature is designed to improve signal integrity of the memory channel by allowing the



## 149-Ball NAND Flash with LPDDR4/LPDDR4X MCP DQ On-Die Termination

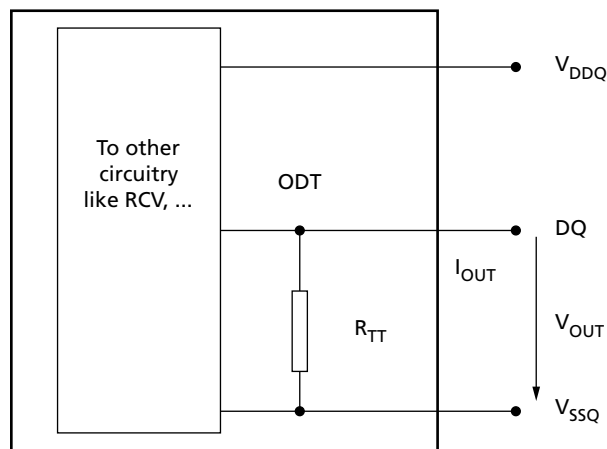
DRAM controller to turn on and off termination resistance for any target DRAM devices during WRITE or MASK WRITE operation.

The ODT feature is off and cannot be supported in power-down and self refresh modes.

The switch is enabled by the internal ODT control logic, which uses the WRITE-1 or MASK WRITE-1 command and other mode register control information. The value of  $R_{TT}$  is determined by the MR bits.

$$R_{TT} = \frac{V_{OUT}}{|I_{OUT}|}$$

**Figure 212: Functional Representation of DQ ODT**



**Table 180: ODT DC Electrical Characteristics for DQ Bus**

$R_{ZQ} = 240\Omega \pm 1\%$  over entire operating range after calibration

MR11 OP[2:0]	$R_{TT}$	$V_{OUT}$	Min	Nom	Max	Unit	Notes
001b	240 $\Omega$	$V_{OL(DC)} = 0.2 \times V_{DDQ}$	0.8	1.0	1.1	$R_{ZQ}/1$	1, 2
		$V_{OM(DC)} = 0.50 \times V_{DDQ}$	0.9	1.0	1.1		
		$V_{OH(DC)} = 0.75 \times V_{DDQ}$	0.9	1.0	1.3		
010b	120 $\Omega$	$V_{OL(DC)} = 0.2 \times V_{DDQ}$	0.8	1.0	1.1	$R_{ZQ}/2$	1, 2
		$V_{OM(DC)} = 0.50 \times V_{DDQ}$	0.9	1.0	1.1		
		$V_{OH(DC)} = 0.75 \times V_{DDQ}$	0.9	1.0	1.3		
011b	80 $\Omega$	$V_{OL(DC)} = 0.2 \times V_{DDQ}$	0.8	1.0	1.1	$R_{ZQ}/3$	1, 2
		$V_{OM(DC)} = 0.50 \times V_{DDQ}$	0.9	1.0	1.1		
		$V_{OH(DC)} = 0.75 \times V_{DDQ}$	0.9	1.0	1.3		
100b	60 $\Omega$	$V_{OL(DC)} = 0.2 \times V_{DDQ}$	0.8	1.0	1.1	$R_{ZQ}/4$	1, 2
		$V_{OM(DC)} = 0.50 \times V_{DDQ}$	0.9	1.0	1.1		
		$V_{OH(DC)} = 0.75 \times V_{DDQ}$	0.9	1.0	1.3		
101b	48 $\Omega$	$V_{OL(DC)} = 0.2 \times V_{DDQ}$	0.8	1.0	1.1	$R_{ZQ}/5$	1, 2
		$V_{OM(DC)} = 0.50 \times V_{DDQ}$	0.9	1.0	1.1		
		$V_{OH(DC)} = 0.75 \times V_{DDQ}$	0.9	1.0	1.3		



# 149-Ball NAND Flash with LPDDR4/LPDDR4X MCP DQ On-Die Termination

**Table 180: ODT DC Electrical Characteristics for DQ Bus (Continued)**

$R_{ZQ} = 240\Omega \pm 1\%$  over entire operating range after calibration

MR11 OP[2:0]	$R_{TT}$	$V_{OUT}$	Min	Nom	Max	Unit	Notes
110b	40 $\Omega$	$V_{OL(DC)} = 0.2 \times V_{DDQ}$	0.8	1.0	1.1	$R_{ZQ}/6$	1, 2
		$V_{OM(DC)} = 0.50 \times V_{DDQ}$	0.9	1.0	1.1		
		$V_{OH(DC)} = 0.75 \times V_{DDQ}$	0.9	1.0	1.3		
Mismatch DQ-to-DQ within clock group		$0.50 \times V_{DDQ}$	–	–	2	%	1, 2, 3

- Notes:
- The ODT tolerance limits are specified after calibration with stable temperature and voltage. To understand the behavior of the tolerance limits when voltage or temperature changes after calibration, see the following section on voltage and temperature sensitivity.
  - Pull-down ODT resistors are recommended to be calibrated at  $0.50 \times V_{DDQ}$ . Other calibration points may be used to achieve the linearity specification shown above, for example, calibration at  $0.75 \times V_{DDQ}$  and  $0.20 \times V_{DDQ}$ .
  - DQ-to-DQ mismatch within byte variation for a given component, including DQS (characterized).

$$\text{DQ-to-DQ mismatch} = \frac{R_{ODT}(\text{MAX}) - R_{ODT}(\text{MIN})}{R_{ODT}(\text{AVG})}$$

## Output Driver and Termination Register Temperature and Voltage Sensitivity

When temperature and/or voltage change after calibration, the tolerance limits are widened according to the tables below.

**Table 181: Output Driver and Termination Register Sensitivity Definition**

Resistor	Definition Point	Min	Max	Unit	Notes
$R_{ONPD}$	$0.50 \times V_{DDQ}$	$90 - (dR_{ONdT} \cdot  \Delta T ) - (dR_{ONdV} \cdot  \Delta V )$	$110 + (dR_{ONdT} \cdot  \Delta T ) + (dR_{ONdV} \cdot  \Delta V )$	%	1, 2
$V_{OHPU}$	$0.50 \times V_{DDQ}$	$90 - (dV_{OHdT} \cdot  \Delta T ) - (dV_{OHdV} \cdot  \Delta V )$	$110 + (dV_{OHdT} \cdot  \Delta T ) + (dV_{OHdV} \cdot  \Delta V )$		1, 2
$R_{TT(I/O)}$	$0.50 \times V_{DDQ}$	$90 - (dR_{ONdT} \cdot  \Delta T ) - (dR_{ONdV} \cdot  \Delta V )$	$110 + (dR_{ONdT} \cdot  \Delta T ) + (dR_{ONdV} \cdot  \Delta V )$		1, 2, 3
$R_{TT(IN)}$	$0.50 \times V_{DD2}$	$90 - (dR_{ONdT} \cdot  \Delta T ) - (dR_{ONdV} \cdot  \Delta V )$	$110 + (dR_{ONdT} \cdot  \Delta T ) + (dR_{ONdV} \cdot  \Delta V )$		1, 2, 4

- Notes:
- $\Delta T = T - T(\text{@calibration})$ ,  $\Delta V = V - V(\text{@calibration})$
  - $dR_{ONdT}$ ,  $dR_{ONdV}$ ,  $dV_{OHdT}$ ,  $dV_{OHdV}$ ,  $dR_{TTdV}$ , and  $dR_{TTdT}$  are not subject to production test but are verified by design and characterization.
  - This parameter applies to input/output pin such as DQS, DQ, and DMI.
  - This parameter applies to input pin such as CK, CA, and CS.
  - Refer to Pull-Up/Pull-Down Driver Characteristics for  $V_{OHPU}$ .

**Table 182: Output Driver and Termination Register Temperature and Voltage Sensitivity**

Symbol	Parameter	Min	Max	Unit
$dR_{ONdT}$	$R_{ON}$ temperature sensitivity	0	0.75	%/°C
$dR_{ONdV}$	$R_{ON}$ voltage sensitivity	0	0.20	%/mV


**Table 182: Output Driver and Termination Register Temperature and Voltage Sensitivity (Continued)**

Symbol	Parameter	Min	Max	Unit
dV <sub>OHdT</sub>	V <sub>OH</sub> temperature sensitivity	0	0.75	%/°C
dV <sub>OHdV</sub>	V <sub>OH</sub> voltage sensitivity	0	0.35	%/mV
dR <sub>TTdT</sub>	R <sub>TT</sub> temperature sensitivity	0	0.75	%/°C
dR <sub>TTdV</sub>	R <sub>TT</sub> voltage sensitivity	0	0.20	%/mV

## ODT Mode Register

The ODT mode is enabled if MR11 OP[2:0] are non-zero. In this case, the value of R<sub>TT</sub> is determined by the settings of those bits. The ODT mode is disabled if MR11 OP[2:0] = 0.

## Asynchronous ODT

When ODT mode is enabled in MR11 OP[2:0], DRAM ODT is always High-Z. The DRAM ODT feature is automatically turned ON asynchronously after a WRITE-1, MASK WRITE-1, or MPC[WRITE-FIFO] command. After the burst write is complete, the DRAM ODT turns OFF asynchronously. The DQ bus ODT control is automatic and will turn the ODT resistance on/off if DQ ODT is enabled in the mode register.

The following timing parameters apply when the DQ bus ODT is enabled:

- ODTL<sub>on</sub>, t<sub>ODTon</sub>(MIN), t<sub>ODTon</sub>(MAX)
- ODTL<sub>off</sub>, t<sub>ODToff</sub>(MIN), t<sub>ODToff</sub>(MAX)

ODTL<sub>ON</sub> is a synchronous parameter and is the latency from a CAS-2 command to the t<sub>ODTon</sub> reference. ODTL<sub>ON</sub> latency is a fixed latency value for each speed bin. Each speed bin has a different ODTL<sub>ON</sub> latency.

Minimum R<sub>TT</sub> turn-on time (t<sub>ODTon</sub>(MIN)) is the point in time when the device termination circuit leaves High-Z and ODT resistance begins to turn on.

Maximum R<sub>TT</sub> turn on time (t<sub>ODTon</sub>(MAX)) is the point in time when the ODT resistance is fully on.

t<sub>ODTon</sub>(MIN) and t<sub>ODTon</sub>(MAX) are measured after ODTL<sub>ON</sub> latency is satisfied from CAS-2 command.

ODTL<sub>OFF</sub> is a synchronous parameter and it is the latency from CAS-2 command to t<sub>ODToff</sub> reference. ODTL<sub>OFF</sub> latency is a fixed latency value for each speed bin. Each speed bin has a different ODTL<sub>OFF</sub> latency.

Minimum R<sub>TT</sub> turn-off time (t<sub>ODToff</sub>(MIN)) is the point in time when the device termination circuit starts to turn off the ODT resistance.

Maximum ODT turn off time (t<sub>ODToff</sub>(MAX)) is the point in time when the on-die termination has reached High-Z.

t<sub>ODToff</sub>(MIN) and t<sub>ODToff</sub>(MAX) are measured after ODTL<sub>OFF</sub> latency is satisfied from CAS-2 command.



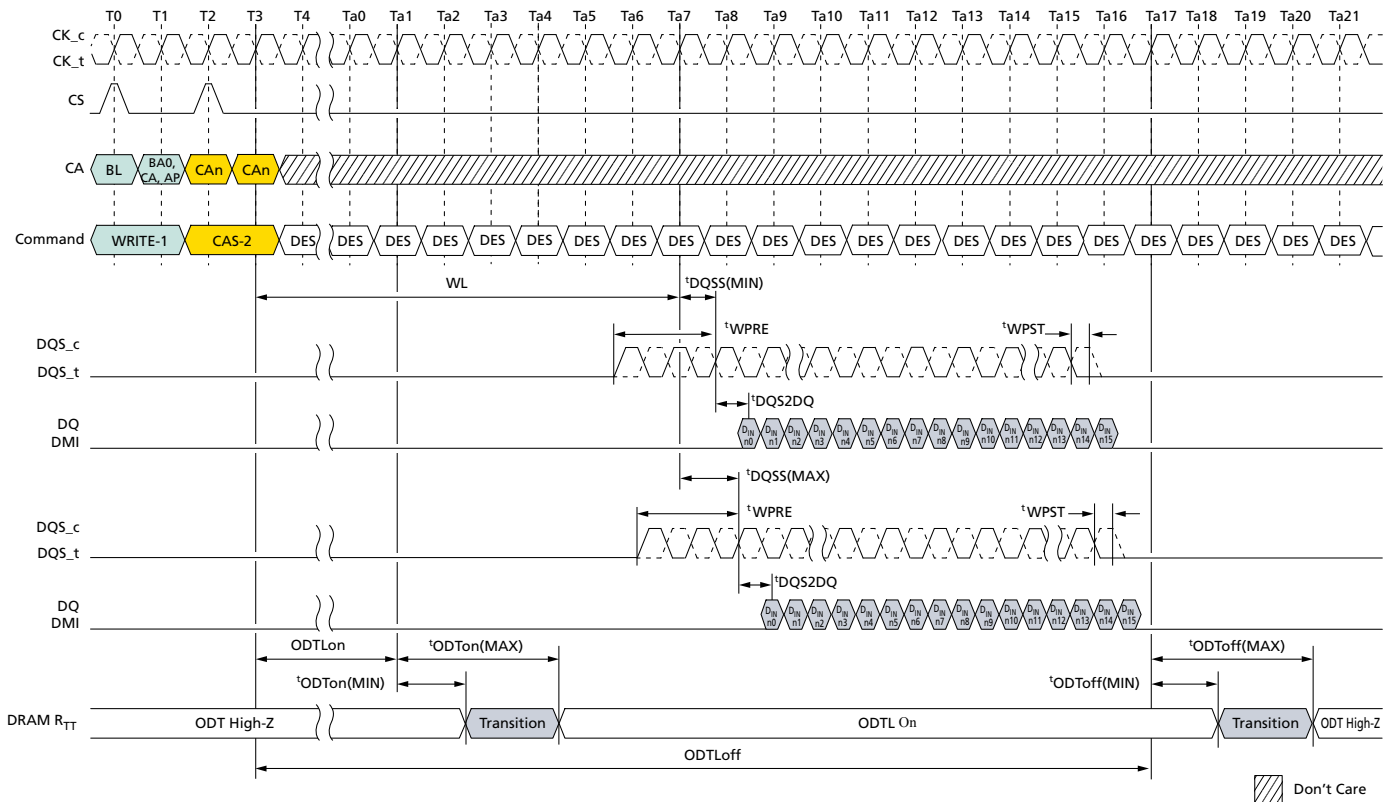
# 149-Ball NAND Flash with LPDDR4/LPDDR4X MCP DQ On-Die Termination

**Table 183: ODT<sub>ON</sub> and ODT<sub>OFF</sub> Latency Values**

ODT <sub>ON</sub> Latency <sup>1</sup>		ODT <sub>OFF</sub> Latency <sup>2</sup>		Lower Frequency Limit (>) (MHz)	Upper Frequency Limit (≤) (MHz)
t <sub>WPRE</sub> = 2 <sup>t</sup> CK					
WL Set A (nCK)	WL Set B (nCK)	WL Set A (nCK)	WL Set B (nCK)		
N/A	N/A	N/A	N/A	10	266
N/A	N/A	N/A	N/A	266	533
N/A	6	N/A	22	533	800
4	12	20	28	800	1066
4	14	22	32	1066	1333
6	18	24	36	1333	1600
6	20	26	40	1600	1866
8	24	28	44	1866	2133

- Notes: 1. ODT<sub>ON</sub> is referenced from CAS-2 command.  
 2. ODT<sub>OFF</sub> as shown in table assumes BL = 16. For BL32, 8<sup>t</sup>CK should be added.

**Figure 213: Asynchronous ODTon/ODToff Timing**



- Notes: 1. BL = 16, Write postamble = 0.5nCK, DQ/DQS: V<sub>SSQ</sub> termination.  
 2. D<sub>IN</sub> n = data-in to column n.



## 149-Ball NAND Flash with LPDDR4/LPDDR4X MCP DQ On-Die Termination

- DES commands are shown for ease of illustration; other commands may be valid at these times.

### DQ ODT During Power-Down and Self Refresh Modes

DQ bus ODT will be disabled in power-down mode. In self refresh mode, the ODT will be turned off when CKE is LOW but will be enabled if CKE is HIGH and DQ ODT is enabled in the mode register.

### ODT During Write Leveling Mode

If ODT is enabled in MR11 OP[2:0] in write leveling mode, the device always provides the termination on DQS signals. DQ termination is always off in write leveling mode.

**Table 184: Termination State in Write Leveling Mode**

ODT State in MR11 OP[2:0]	DQS Termination	DQ[15:0]/DMI[1:0] Termination
Disabled	Off	Off
Enabled	On	Off





## Target Row Refresh Mode

The device limits the number of times that a given row can be accessed within a refresh period ( $t_{REFW} \times 2$ ) prior to requiring adjacent rows to be refreshed. The maximum activate count (MAC) is the maximum number of activates that a single row can sustain within a refresh period before the adjacent rows need to be refreshed. The row receiving the excessive activates is the target row (TRn), the adjacent rows to be refreshed are the victim rows. When the MAC limit is reached on TRn, either the device receives all ( $R \times 2$ ) REFRESH commands before another row activate is issued, or the device should be placed into targeted row refresh (TRR) mode. The TRR mode will refresh the rows adjacent to the TRn that encountered  $t_{MAC}$  limit.

If the device supports unlimited MAC value: MR24 OP[2:0] = 000 and MR24 OP[3] = 1, TARGET ROW REFRESH operation is not required. Even though the device allows to set MR24 OP[7] = 1: TRR mode enable, in this case the device behavior is vendor specific. For example, a certain device may ignore MRW command for entering/exiting TRR mode or a certain device may support commands related TRR mode. See vendor device data sheets for details about TRR mode definition at supporting unlimited MAC value case.

There could be a maximum of two target rows to a victim row in a bank. The cumulative value of the activates from the two target rows on a victim row in a bank should not exceed MAC value.

MR24 fields are required to support the new TRR settings. Setting MR24 OP[7] = 1 enables TRR mode and setting MR24 OP[7] = 0 disables TRR mode. MR24 OP[6:4] defines which bank (BAn) the target row is located in (refer to MR24 table for details).

The TRR mode must be disabled during initialization as well as any other device calibration modes. The TRR mode is entered from a DRAM idle state, once TRR mode has been entered, no other mode register commands are allowed until TRR mode is completed; however, setting MR24 OP[7] = 0 to interrupt and reissue the TRR mode is allowed.

When enabled, TRR mode is self-clearing. the mode will be disabled automatically after the completion of defined TRR flow (after the third BAn precharge has completed plus  $t_{MRD}$ ). Optionally, the TRR mode can also be exited via another MRS command at the completion of TRR by setting MR24 OP[7] = 0. If the TRR is exited via another MRS command, the value written to MR24 OP[6:4] are "Don't Care."

## TRR Mode Operation

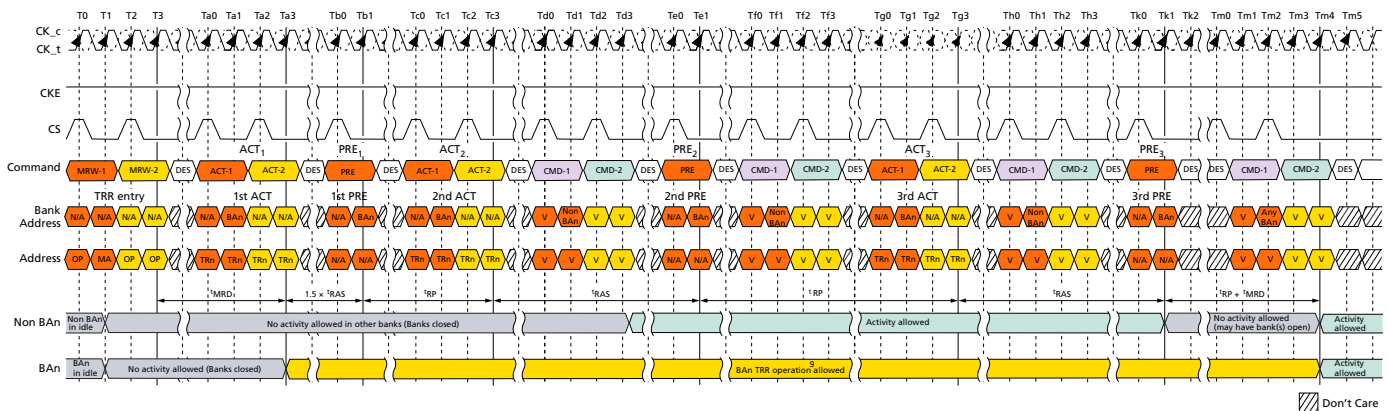
1. The timing diagram depicts TRR mode. The following steps must be performed when TRR mode is enabled. This mode requires all three ACT (ACT1, ACT2, and ACT3) and three corresponding PRE commands (PRE1, PRE2, and PRE3) to complete TRR mode. PRECHARGE All (PREA) commands issued while the device is in TRR mode will also perform precharge to BAn and counts towards PREn command.
2. Prior to issuing the MRW command to enter TRR mode, the device should be in the idle state. MRW command must be issued with MR24 OP[7] = 1 and MR24 OP[6:4] defining the bank in which the targeted row is located. All other MR24 bits should remain unchanged.
3. No activity is to occur with the device until  $t_{MRD}$  has been satisfied. When  $t_{MRD}$  has been satisfied, the only commands allowed BAn, until TRR mode has completed, are ACT and PRE.



# 149-Ball NAND Flash with LPDDR4/LPDDR4X MCP Target Row Refresh Mode

4. The first ACT to the BAN with the TRn address can now be applied; no other command is allowed at this point. All other banks must remain inactive from when the first BAN ACT command is issued until  $[(1.5 \times {}^t\text{RAS}) + {}^t\text{RP}]$  is satisfied.
5. After the first ACT to the BAN with the TRn address is issued, PRE to BAN is to be issued  $(1.5 \times {}^t\text{RAS})$  later; and then followed  ${}^t\text{RP}$  later by the second ACT to the BAN with the TRn address.
6. After the second ACT to the BAN with the TRn address is issued, PRE to BAN is to be issued  ${}^t\text{RAS}$  later and then followed  ${}^t\text{RP}$  later by the third ACT to the BAN with the TRn address.
7. After the third ACT to the BAN with the TRn address is issued, PRE to BAN would be issued  ${}^t\text{RAS}$  later. TRR mode is completed once  ${}^t\text{RP}$  plus  ${}^t\text{MRD}$  is satisfied.
8. TRR mode must be completed as specified to guarantee that adjacent rows are refreshed. Anytime the TRR mode is interrupted and not completed, the interrupted TRR mode must be cleared and then subsequently performed again. To clear an interrupted TRR mode, MR24 change is required with setting MR24 OP[7] = 0, MR24 OP[6:4] are "Don't Care," followed by three PRE to BAN, with  ${}^t\text{RP}$  time in between each PRE command. The complete TRR sequence (steps 2–7) must be then reissued and completed to guarantee that the adjacent rows are refreshed.
9. A REFRESH command to the device, or entering self refresh mode, is not allowed while the device is in TRR mode.

**Figure 214: Target Row Refresh Mode**



- Notes:
1. TRn is the targeted row.
  2. Bank BAN represents the bank in which the targeted row is located.
  3. TRR mode self-clears after  ${}^t\text{MRD} + {}^t\text{RP}$  measured from the third BAN precharge PRE3 at clock edge Th4.
  4. TRR mode or any other activity can be re-engaged after  ${}^t\text{RP} + {}^t\text{MRD}$  from the third BAN precharge PRE3. PRE\_ALL also counts if it is issued instead of PREn. TRR mode is cleared by the device after PRE3 to the BAN bank.
  5. ACTIVATE commands to BAN during TRR mode do not provide refresh support (the refresh counter is unaffected).
  6. The device must restore the degraded row(s) caused by excessive activation of the targeted row (TRn) necessary to meet refresh requirements.
  7. A new TRR mode must wait  ${}^t\text{MRD} + {}^t\text{RP}$  time after the third precharge.
  8. BAN may not be used with any other command.
  9. ACT and PRE are the only allowed commands to BAN during TRR mode.
  10. REFRESH commands are not allowed during TRR mode.



- All timings are to be met by DRAM during TRR mode, such as  $t_{FAW}$ . Issuing ACT1, ACT2, and ACT3 counts towards  $t_{FAW}$  budget.

## Post-Package Repair

The device has fail row address repair as an optional post-package repair (PPR) feature and it is readable through MR25 OP[7:0].

PPR provides simple and easy repair method in the system and fail row address can be repaired by the electrical programming of Electrical-fuse scheme. The device can correct one row per bank with PPR.

Electrical-fuse cannot be switched back to un-fused states once it is programmed. The controller should prevent unintended PPR mode entry and repair.

## Failed Row Address Repair

- Before entering PPR mode, all banks must be precharged.
- Enable PPR using MR4 OP[4] = 1 and wait  $t_{MRD}$ .
- Issue ACT command with fail row address.
- Wait  $t_{PGM}$  to allow the device repair target row address internally then issue PRECHARGE
- Wait  $t_{PGM\_EXIT}$  after PRECHARGE, which allows the device to recognize repaired row address RAn.
- Exit PPR mode with setting MR4 OP[4] = 0.
- The device is ready for any valid command after  $t_{PGMPST}$ .
- In more than one fail address repair case, repeat step 2 to 7.

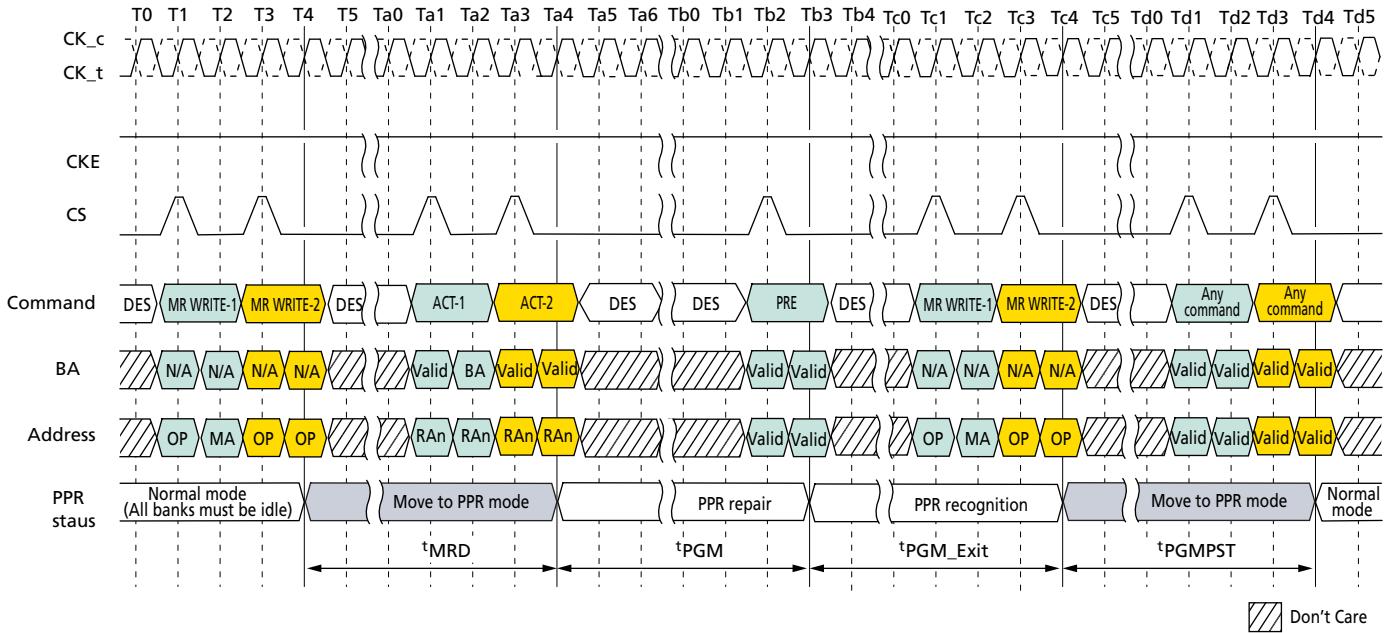
Once PPR mode is exited, to confirm whether the target row has correctly repaired, the host can verify the repair by writing data into the target row and reading it back after PPR exit with MR4 OP[4] = 0 and  $t_{PGMPST}$ .

The following timing diagram shows PPR operation.



# 149-Ball NAND Flash with LPDDR4/LPDDR4X MCP Post-Package Repair

**Figure 215: Post-Package Repair Timing**



- Notes:
1. During  $t_{PGM}$ , any other commands (including refresh) are not allowed on each die.
  2. With one PPR command, only one row can be repaired at one time per die.
  3. When PPR procedure completes, reset procedure is required before normal operation.
  4. During PPR, memory contents are not refreshed and may be lost.

**Table 185: Post-Package Repair Timing Parameters**

Parameter	Symbol	Min	Max	Units
PPR programming time	$t_{PGM}$	1000	–	ms
PPR exit time	$t_{PGM\_EXIT}$	15	–	ns
New address setting time	$t_{PGMPST}$	50	–	$\mu$ s



## Read Preamble Training

Read preamble training is supported through the MPC function.

This mode can be used to train or read level the DQS receivers. After read preamble training is enabled by MR13 OP[1] = 1, the device will drive DQS\_t LOW and DQS\_c HIGH within  $t^{\text{SDO}}$  and remain at these levels until an MPC[READ DQ CALIBRATION] command is issued.

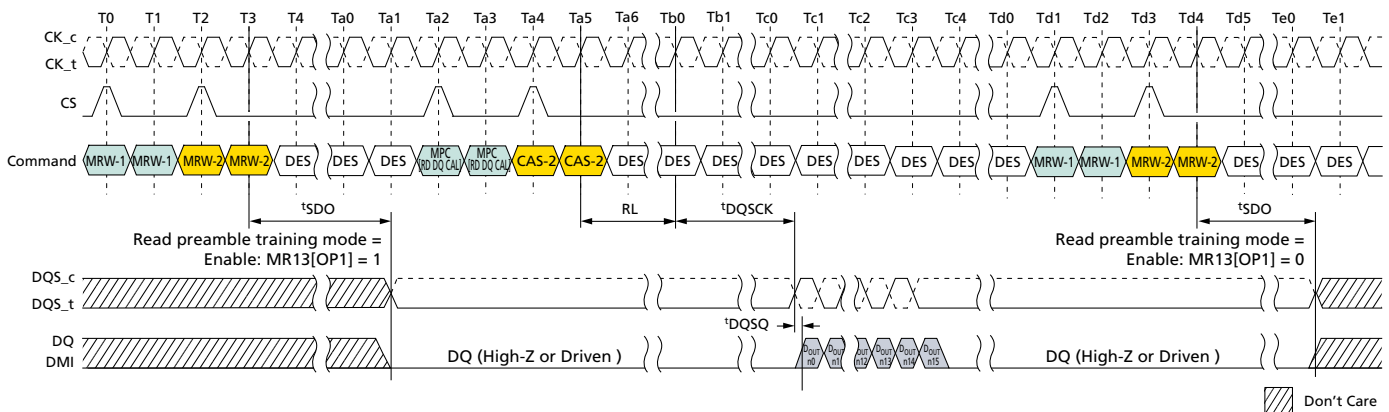
During read preamble training, the DQS preamble provided during normal operation will not be driven by the device. After the MPC[READ DQ CALIBRATION] command is issued, the device will drive DQS\_t/DQS\_c and DQ like a normal READ burst after RL and  $t^{\text{DQSK}}$ . Prior to the MPC[READ DQ CALIBRATION] command, the device may or may not drive DQ[15:0] in this mode.

While in read preamble training mode, only READ DQ CALIBRATION commands may be issued.

- Issue an MPC[READ DQ CALIBRATION] command followed immediately by a CAS-2 command.
- Each time an MPC[READ DQ CALIBRATION] command followed by a CAS-2 is received by the device, a 16-bit data burst will, after the currently set RL, drive the eight bits programmed in MR32 followed by the eight bits programmed in MR40 on all I/O pins.
- The data pattern will be inverted for I/O pins with a 1 programmed in the corresponding invert mask mode register bit.
- Note that the pattern is driven on the DMI pins, but no DATA BUS INVERSION function is enabled, even if read DBI is enabled in the DRAM mode register.
- This command can be issued every  $t^{\text{CCD}}$  seamlessly.
- The operands received with the CAS-2 command must be driven LOW.

Read preamble training is exited within  $t^{\text{SDO}}$  after setting MR13 OP[1] = 0.

Figure 216: Read Preamble Training



Note: 1. Read DQ calibration supports only BL16 operation.



## Electrical Specifications

### Absolute Maximum Ratings

Stresses greater than those listed in the table below may cause permanent damage to the device. This is a stress rating only, and functional operation of the device at these conditions, or any other conditions outside those indicated in the operational sections of this document, is not implied. Exposure to absolute maximum rating conditions for extended periods may adversely affect reliability.

**Table 186: Absolute Maximum DC Ratings**

Parameter	Symbol	Min	Max	Unit	Notes
V <sub>DD1</sub> supply voltage relative to V <sub>SS</sub>	V <sub>DD1</sub>	-0.4	2.1	V	1
V <sub>DD2</sub> supply voltage relative to V <sub>SS</sub>	V <sub>DD2</sub>	-0.4	1.5	V	1
V <sub>DDQ</sub> supply voltage relative to V <sub>SS</sub>	V <sub>DDQ</sub>	-0.4	1.5	V	1
Voltage on any ball relative to V <sub>SS</sub>	V <sub>IN</sub> , V <sub>OUT</sub>	-0.4	1.5	V	
Storage temperature	T <sub>STG</sub>	-55	125	°C	2

- Notes:
- For information about relationships between power supplies, see the Voltage Ramp and Device Initialization section.
  - Storage temperature is the case surface temperature on the center/top side of the device. For measurement conditions, refer to the JE5D51-2 standard.

### AC and DC Operating Conditions

Operation or timing that is not specified is illegal. To ensure proper operation, the device must be initialized properly.

**Table 187: Recommended DC Operating Conditions**

Symbol	Min	Typ	Max	DRAM	Unit	Notes
V <sub>DD1</sub>	1.7	1.8	1.95	Core 1 power	V	1, 2
V <sub>DD2</sub>	1.06	1.1	1.17	Core 2 power/Input buffer power	V	1, 2, 3
V <sub>DDQ</sub>	0.57	0.60	0.65	I/O buffer power	V	2, 3

- Notes:
- V<sub>DD1</sub> uses significantly less power than V<sub>DD2</sub>.
  - The voltage range is for DC voltage only. DC voltage is the voltage supplied at the DRAM and is inclusive of all noise up to 20 MHz at the DRAM package ball.
  - The voltage noise tolerance from DC to 20 MHz exceeding a peak-to-peak tolerance of 45mV at the DRAM ball is not included in the TdIVW.

**Table 188: Input Leakage Current**

Parameter/Condition	Symbol	Min	Max	Unit	Notes
Input leakage current	I <sub>L</sub>	-4	4	μA	1, 2

- Notes:
- For CK<sub>t</sub>, CK<sub>c</sub>, CKE, CS, CA, ODT<sub>CA</sub> and RESET<sub>n</sub>. Any input 0V ≤ V<sub>IN</sub> ≤ V<sub>DD2</sub>. All other pins not under test = 0V.



## 149-Ball NAND Flash with LPDDR4/LPDDR4X MCP AC and DC Operating Conditions

- CA ODT is disabled for CK\_t, CK\_c, CS, and CA.

**Table 189: Input/Output Leakage Current**

Parameter/Condition	Symbol	Min	Max	Unit	Notes
Input/Output leakage current	$I_{OZ}$	-5	5	$\mu A$	1, 2

- Notes:
- For DQ, DQS\_t, DQS\_c and DMI. Any I/O  $0V \leq V_{OUT} \leq V_{DDQ}$ .
  - I/Os status are disabled: High impedance and ODT off.

**Table 190: Operating Temperature Range**

Parameter/Condition	Symbol	Min	Max	Unit
Standard	$T_{OPER}$	Note 4	85	$^{\circ}C$
Elevated		85	95	$^{\circ}C$
Automotive		95	105	$^{\circ}C$
Ultra		105	125	$^{\circ}C$

- Notes:
- Operating temperature is the case surface temperature at the center of the top side of the device. For measurement conditions, refer to the JESD51-2 standard.
  - When using the device in the elevated temperature range, some derating may be required. See Mode Registers for vendor-specific derating.
  - Either the device case temperature rating or the temperature sensor can be used to set an appropriate refresh rate, determine the need for AC timing derating, and/or monitor the operating temperature (see Temperature Sensor). When using the temperature sensor, the actual device case temperature may be higher than the  $T_{OPER}$  rating that applies for the standard or elevated temperature range. For example,  $T_{CASE}$  could be above  $+85^{\circ}C$  when the temperature sensor indicates a temperature of less than  $+85^{\circ}C$ .
  - Refer to operating temperature range on top page.



# 149-Ball NAND Flash with LPDDR4/LPDDR4X MCP AC and DC Input Measurement Levels

## AC and DC Input Measurement Levels

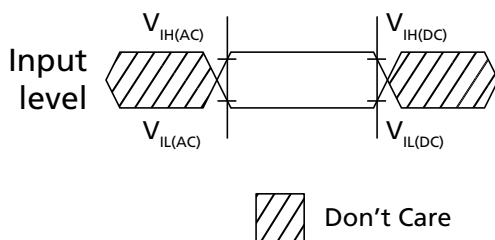
### Input Levels for CKE

**Table 191: Input Levels**

Parameter	Symbol	Min	Max	Unit	Notes
Input HIGH level (AC)	$V_{IH(AC)}$	$0.75 \times V_{DD2}$	$V_{DD2} + 0.2$	V	1
Input LOW level (AC)	$V_{IL(AC)}$	-0.2	$0.25 \times V_{DD2}$	V	1
Input HIGH level (DC)	$V_{IH(DC)}$	$0.65 \times V_{DD2}$	$V_{DD2} + 0.2$	V	
Input LOW level (DC)	$V_{IL(DC)}$	-0.2	$0.35 \times V_{DD2}$	V	

Note: 1. See the AC Overshoot and Undershoot section.

**Figure 217: Input Timing Definition for CKE**



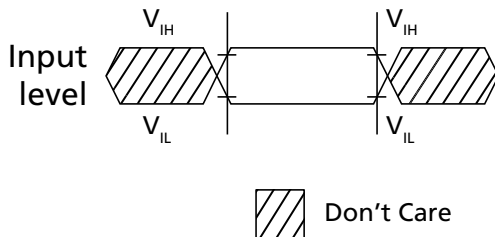
### Input Levels for RESET\_n

**Table 192: Input Levels**

Parameter	Symbol	Min	Max	Unit	Notes
Input HIGH level	$V_{IH}$	$0.80 \times V_{DD2}$	$V_{DD2} + 0.2$	V	1
Input LOW level	$V_{IL}$	-0.2	$0.20 \times V_{DD2}$	V	1

Note: 1. See the AC Overshoot and Undershoot section.

**Figure 218: Input Timing Definition for RESET\_n**



### Differential Input Voltage for CK

The minimum input voltage needs to satisfy both  $V_{indiff\_CK}$  and  $V_{indiff\_CK}/2$  specification at input receiver and their measurement period is  $1^tCK$ .  $V_{indiff\_CK}$  is the peak-to-peak

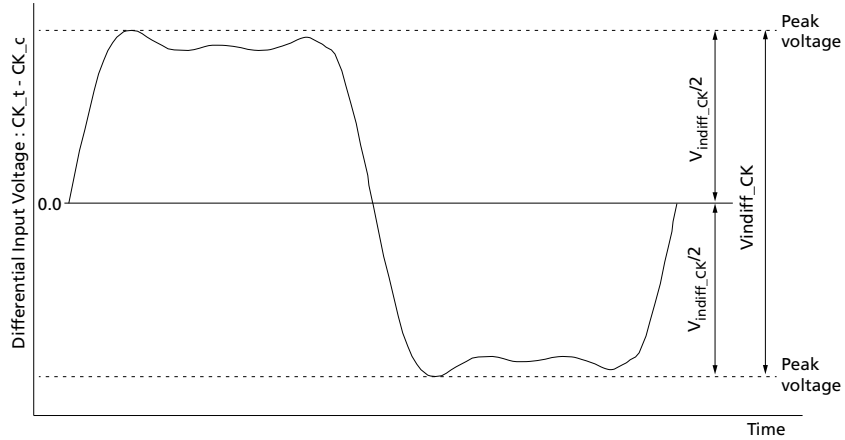




# 149-Ball NAND Flash with LPDDR4/LPDDR4X MCP AC and DC Input Measurement Levels

voltage centered on 0 volts differential and  $V_{\text{indiff\_CK}}/2$  is maximum and minimum peak voltage from 0 volts.

**Figure 219: CK Differential Input Voltage**



**Table 193: CK Differential Input Voltage**

Parameter	Symbol	1600/1867		2133/2400/3200		3733/4267		Unit	Note
		Min	Max	Min	Max	Min	Max		
CK differential input voltage	$V_{\text{indiff\_CK}}$	420	–	380	–	360	–	mV	1

Note: 1. The peak voltage of differential CK signals is calculated in a following equation.

- $V_{\text{indiff\_CK}} = (\text{Maximum peak voltage}) - (\text{Minimum peak voltage})$
- Maximum peak voltage = MAX(f(t))
- Minimum peak voltage = MIN(f(t))
- $f(t) = V_{\text{CK\_t}} - V_{\text{CK\_c}}$

## Peak Voltage Calculation Method

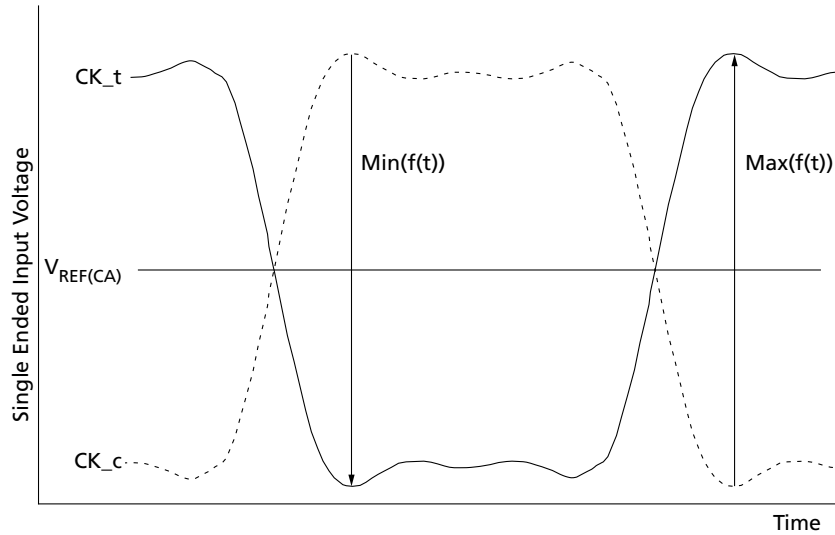
The peak voltage of differential clock signals are calculated in a following equation.

- $V_{\text{IH,DIFF,peak}} \text{ voltage} = \text{MAX}(f(t))$
- $V_{\text{IL,DIFF,peak}} \text{ voltage} = \text{MIN}(f(t))$
- $f(t) = V_{\text{CK\_t}} - V_{\text{CK\_c}}$



# 149-Ball NAND Flash with LPDDR4/LPDDR4X MCP AC and DC Input Measurement Levels

**Figure 220: Definition of Differential Clock Peak Voltage**

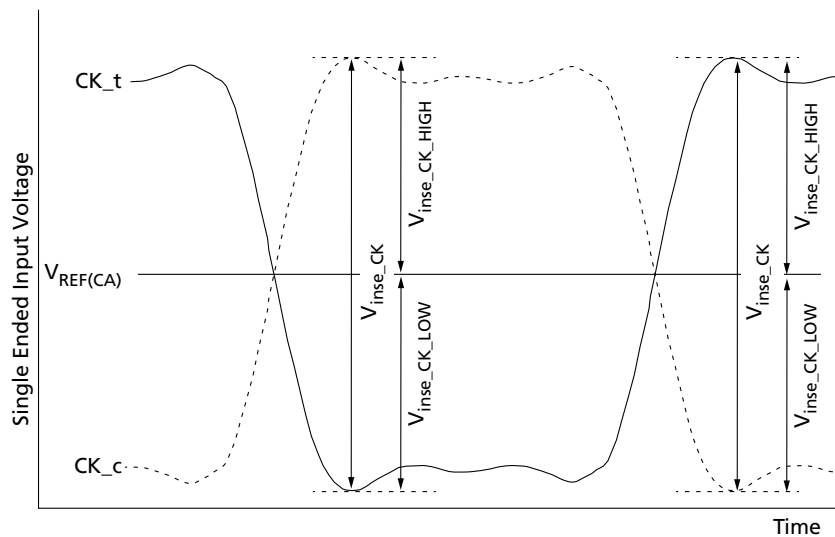


Note: 1.  $V_{REF(CA)}$  is device internal setting value by  $V_{REF}$  training.

## Single-Ended Input Voltage for Clock

The minimum input voltage need to satisfy  $V_{inse\_CK}$ ,  $V_{inse\_CK\_HIGH}$ , and  $V_{inse\_CK\_LOW}$  specification at input receiver.

**Figure 221: Clock Single-Ended Input Voltage**



Note: 1.  $V_{REF(CA)}$  is device internal setting value by  $V_{REF}$  training.



# 149-Ball NAND Flash with LPDDR4/LPDDR4X MCP AC and DC Input Measurement Levels

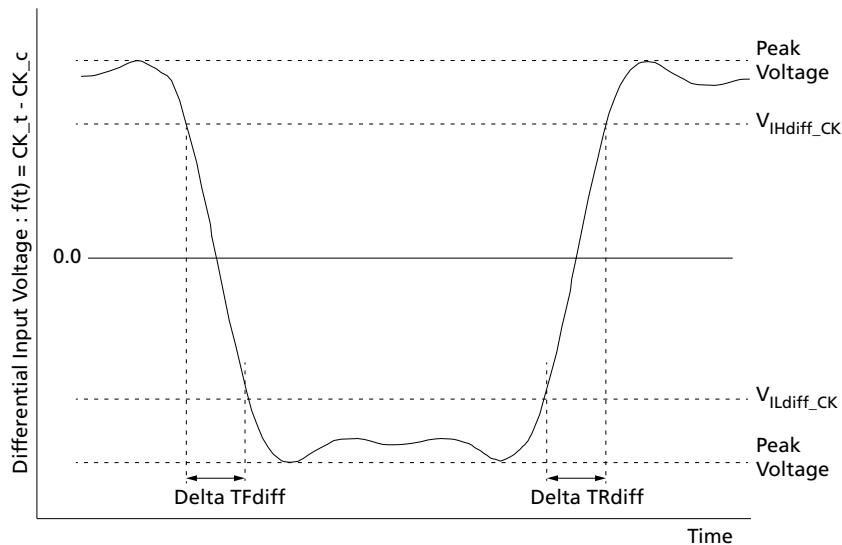
**Table 194: Clock Single-Ended Input Voltage**

Parameter	Symbol	1600/1867		2133/2400/3200		3733/4267		Unit
		Min	Max	Min	Max	Min	Max	
Clock single-ended input voltage	$V_{inse\_CK}$	210	–	190	–	180	–	mV
Clock single-ended input voltage HIGH from $V_{REF(CA)}$	$V_{inse\_CK\_HIGH}$	105	–	95	–	90	–	mV
Clock single-ended input voltage LOW from $V_{REF(CA)}$	$V_{inse\_CK\_LOW}$	105	–	95	–	90	–	mV

## Differential Input Slew Rate Definition for Clock

Input slew rate for differential signals (CK\_t, CK\_c) are defined and measured as shown below in figure and the tables.

**Figure 222: Differential Input Slew Rate Definition for CK\_t, CK\_c**



- Notes:
1. Differential signal rising edge from  $V_{ILdiff\_CK}$  to  $V_{IHdiff\_CK}$  must be monotonic slope.
  2. Differential signal falling edge from  $V_{IHdiff\_CK}$  to  $V_{ILdiff\_CK}$  must be monotonic slope.

**Table 195: Differential Input Slew Rate Definition for CK\_t, CK\_c**

Description	From	To	Defined by
Differential input slew rate for rising edge (CK_t - CK_c)	$V_{ILdiff\_CK}$	$V_{IHdiff\_CK}$	$ V_{ILdiff\_CK} - V_{IHdiff\_CK}  / \Delta TR_{diff}$
Differential input slew rate for falling edge (CK_t - CK_c)	$V_{IHdiff\_CK}$	$V_{ILdiff\_CK}$	$ V_{ILdiff\_CK} - V_{IHdiff\_CK}  / \Delta TF_{diff}$



# 149-Ball NAND Flash with LPDDR4/LPDDR4X MCP AC and DC Input Measurement Levels

**Table 196: Differential Input Level for CK\_t, CK\_c**

Parameter	Symbol	1600/1867		2133/2400/3200		3733/4267		Unit
		Min	Max	Min	Max	Min	Max	
Differential Input HIGH	$V_{IHdiff\_CK}$	175	-	155	-	145	-	mV
Differential Input LOW	$V_{ILdiff\_CK}$	-	-175	-	-155	-	-145	mV

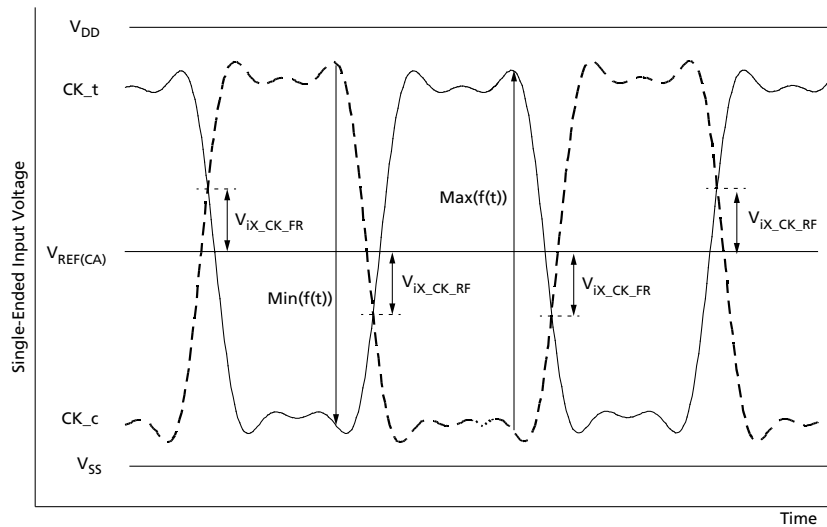
**Table 197: Differential Input Slew Rate for CK\_t, CK\_c**

Parameter	Symbol	1600/1867		2133/2400/3200		3733/4267		Unit
		Min	Max	Min	Max	Min	Max	
Differential input slew rate for clock	SRIdiff_CK	2	14	2	14	2	14	V/ns

## Differential Input Cross-Point Voltage

The cross-point voltage of differential input signals (CK\_t, CK\_c) must meet the requirements in table below. The differential input cross-point voltage  $V_{IX}$  is measured from the actual cross-point of true and complement signals to the mid level that is  $V_{REF(CA)}$ .

**Figure 223:  $V_{ix}$  Definition (Clock)**



Note: 1. The base levels of  $V_{IX\_CK\_FR}$  and  $V_{IX\_CK\_RF}$  are  $V_{REF(CA)}$  that is device internal setting value by  $V_{REF}$  training.



# 149-Ball NAND Flash with LPDDR4/LPDDR4X MCP AC and DC Input Measurement Levels

**Table 198: Cross-Point Voltage for Differential Input Signals (Clock)**

Notes 1 and 2 apply to entire table

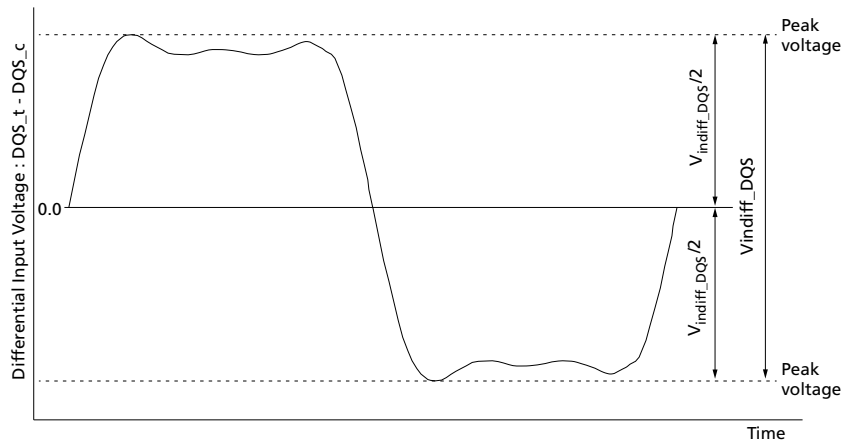
Parameter	Symbol	1600/1867		2133/2400/3200		3733/4267		Unit
		Min	Max	Min	Max	Min	Max	
Clock differential input cross-point voltage ratio	$V_{ix\_CK\_ratio}$	-	25	-	25	-	25	%

- Notes: 1.  $V_{ix\_CK\_ratio}$  is defined by this equation:  $V_{ix\_CK\_ratio} = V_{ix\_CK\_FR}/|MIN(f(t))|$   
 2.  $V_{ix\_CK\_ratio}$  is defined by this equation:  $V_{ix\_CK\_ratio} = V_{ix\_CK\_RF}/MAX(f(t))$

## Differential Input Voltage for DQS

The minimum input voltage needs to satisfy both  $V_{indiff\_DQS}$  and  $V_{indiff\_DQS}/2$  specification at input receiver and their measurement period is 1UI ( $^tCK/2$ ).  $V_{indiff\_DQS}$  is the peak to peak voltage centered on 0 volts differential and  $V_{indiff\_DQS}/2$  is maximum and minimum peak voltage from 0 volts.

**Figure 224: DQS Differential Input Voltage**



**Table 199: DQS Differential Input Voltage**

Parameter	Symbol	1600/1867		2133/2400/3200		3733/4267		Unit	Note
		Min	Max	Min	Max	Min	Max		
DQS differential input voltage	$V_{indiff\_DQS}$	360	-	360	-	340	-	mV	1

Note: 1. The peak voltage of differential DQS signals is calculated in a following equation.

- $V_{indiff\_DQS} = (\text{Maximum peak voltage}) - (\text{Minimum peak voltage})$
- $\text{Maximum peak voltage} = MAX(f(t))$
- $\text{Minimum peak voltage} = MIN(f(t))$
- $f(t) = V_{DQS\_t} - V_{DQS\_c}$

## Peak Voltage Calculation Method

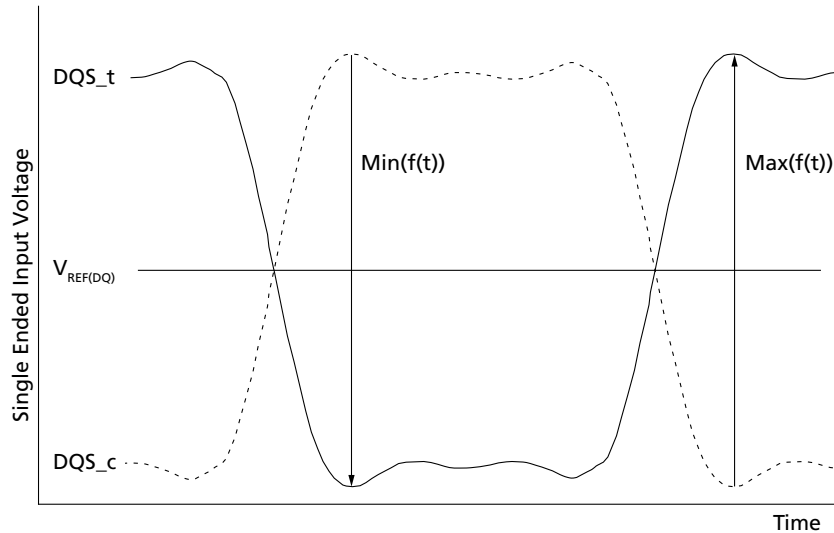
The peak voltage of differential DQS signals are calculated in a following equation.



# 149-Ball NAND Flash with LPDDR4/LPDDR4X MCP AC and DC Input Measurement Levels

- $V_{IH,DIFF,peak}$  voltage =  $MAX(f(t))$
- $V_{IL,DIFF,peak}$  voltage =  $MIN(f(t))$
- $f(t) = V_{DQS\_t} - V_{DQS\_c}$

**Figure 225: Definition of Differential DQS Peak Voltage**

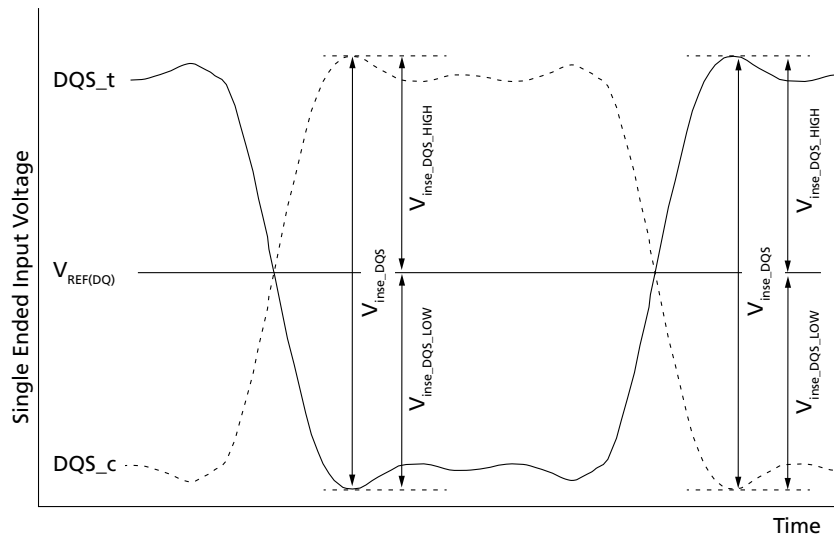


Note: 1.  $V_{REF(DQ)}$  is device internal setting value by  $V_{REF}$  training.

## Single-Ended Input Voltage for DQS

The minimum input voltage need to satisfy  $V_{inse\_DQS}$ ,  $V_{inse\_DQS\_HIGH}$ , and  $V_{inse\_DQS\_LOW}$  specification at input receiver.

**Figure 226: DQS Single-Ended Input Voltage**



Note: 1.  $V_{REF(DQ)}$  is device internal setting value by  $V_{REF}$  training.



# 149-Ball NAND Flash with LPDDR4/LPDDR4X MCP AC and DC Input Measurement Levels

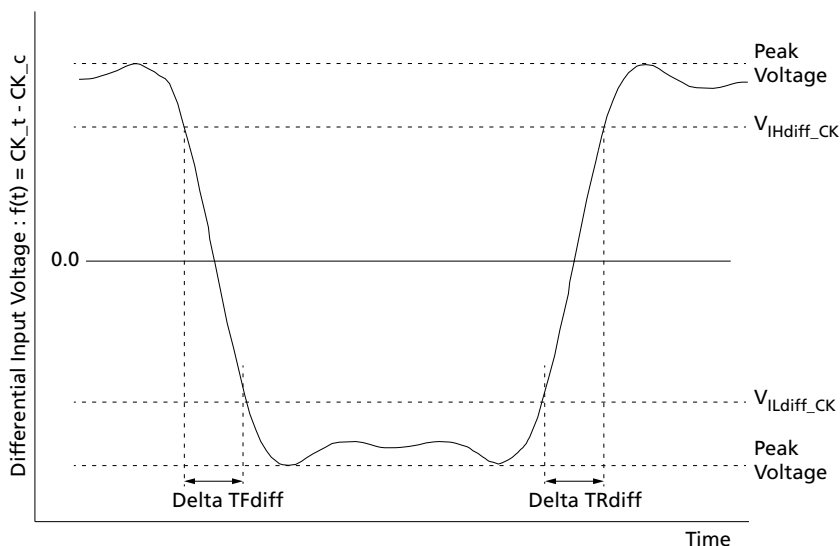
**Table 200: DQS Single-Ended Input Voltage**

Parameter	Symbol	1600/1867		2133/2400/3200		3733/4267		Unit
		Min	Max	Min	Max	Min	Max	
DQS single-ended input voltage	$V_{inse\_DQS}$	180	-	180	-	170	-	mV
DQS single-ended input voltage HIGH from $V_{REF(DQ)}$	$V_{inse\_DQS\_HIGH}$	90	-	90	-	85	-	mV
DQS single-ended input voltage LOW from $V_{REF(DQ)}$	$V_{inse\_DQS\_LOW}$	90	-	90	-	85	-	mV

## Differential Input Slew Rate Definition for DQS

Input slew rate for differential signals (DQS\_t, DQS\_c) are defined and measured as shown below in figure and the tables.

**Figure 227: Differential Input Slew Rate Definition for DQS\_t, DQS\_c**



- Notes:
1. Differential signal rising edge from  $V_{ILdiff\_DQS}$  to  $V_{IHdiff\_DQS}$  must be monotonic slope.
  2. Differential signal falling edge from  $V_{IHdiff\_DQS}$  to  $V_{ILdiff\_DQS}$  must be monotonic slope.

**Table 201: Differential Input Slew Rate Definition for DQS\_t, DQS\_c**

Description	From	To	Defined by
Differential input slew rate for rising edge (DQS_t - DQS_c)	$V_{ILdiff\_DQS}$	$V_{IHdiff\_DQS}$	$ V_{ILdiff\_DQS} - V_{IHdiff\_DQS}  / \Delta TR_{diff}$
Differential input slew rate for falling edge (DQS_t - DQS_c)	$V_{IHdiff\_DQS}$	$V_{ILdiff\_DQS}$	$ V_{ILdiff\_DQS} - V_{IHdiff\_DQS}  / \Delta TF_{diff}$



## 149-Ball NAND Flash with LPDDR4/LPDDR4X MCP AC and DC Input Measurement Levels

**Table 202: Differential Input Level for DQS\_t, DQS\_c**

Parameter	Symbol	1600/1867		2133/2400/3200		3733/4267		Unit
		Min	Max	Min	Max	Min	Max	
Differential Input HIGH	$V_{IHdiff\_DQS}$	140	–	140	–	120	–	mV
Differential Input LOW	$V_{ILdiff\_DQS}$	–	–140	–	–140	–	–120	mV

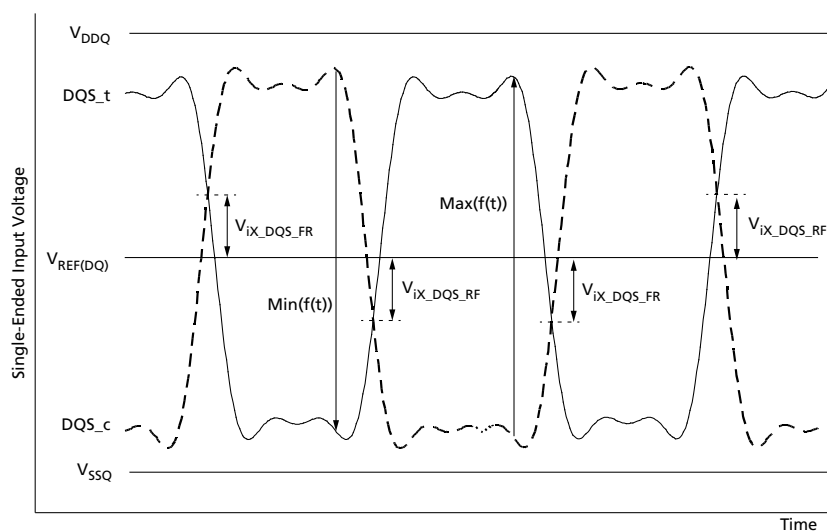
**Table 203: Differential Input Slew Rate for DQS\_t, DQS\_c**

Parameter	Symbol	1600/1867		2133/2400/3200		3733/4267		Unit
		Min	Max	Min	Max	Min	Max	
Differential input slew rate	SRldiff	2	14	2	14	2	14	V/ns

### Differential Input Cross-Point Voltage

The cross-point voltage of differential input signals (DQS\_t, DQS\_c) must meet the requirements in table below. The differential input cross-point voltage  $V_{IX}$  is measured from the actual cross-point of true and complement signals to the mid level that is  $V_{REF(DQ)}$ .

**Figure 228:  $V_{IX}$  Definition (DQS)**



Note: 1. The base levels of  $V_{IX\_DQS\_FR}$  and  $V_{IX\_DQS\_RF}$  are  $V_{REF(DQ)}$  that is device internal setting value by  $V_{REF}$  training.





## 149-Ball NAND Flash with LPDDR4/LPDDR4X MCP Output Slew Rate and Overshoot/Undershoot specifications

**Table 204: Cross-Point Voltage for Differential Input Signals (DQS)**

Notes 1 and 2 apply to entire table

Parameter	Symbol	1600/1867		2133/2400/3200		3733/4267		Unit
		Min	Max	Min	Max	Min	Max	
DQS differential input cross-point voltage ratio	$V_{ix\_DQS\_ratio}$	–	20	–	20	–	20	%

- Notes: 1.  $V_{ix\_DQS\_ratio}$  is defined by this equation:  $V_{ix\_DQS\_ratio} = V_{ix\_DQS\_FR}/|MIN(f(t))|$   
 2.  $V_{ix\_DQS\_ratio}$  is defined by this equation:  $V_{ix\_DQS\_ratio} = V_{ix\_DQS\_RF}/MAX(f(t))$

### Input Levels for ODT\_CA

**Table 205: Input Levels for ODT\_CA**

Parameter	Symbol	Min	Max	Unit
ODT input HIGH level	$V_{IHODT}$	$0.75 \times V_{DD2}$	$V_{DD2} + 0.2$	V
ODT input LOW level	$V_{ILODT}$	–0.2	$0.25 \times V_{DD2}$	V

## Output Slew Rate and Overshoot/Undershoot specifications

### Single-Ended Output Slew Rate

**Table 206: Single-Ended Output Slew Rate**

Note 1-5 applies to entire table

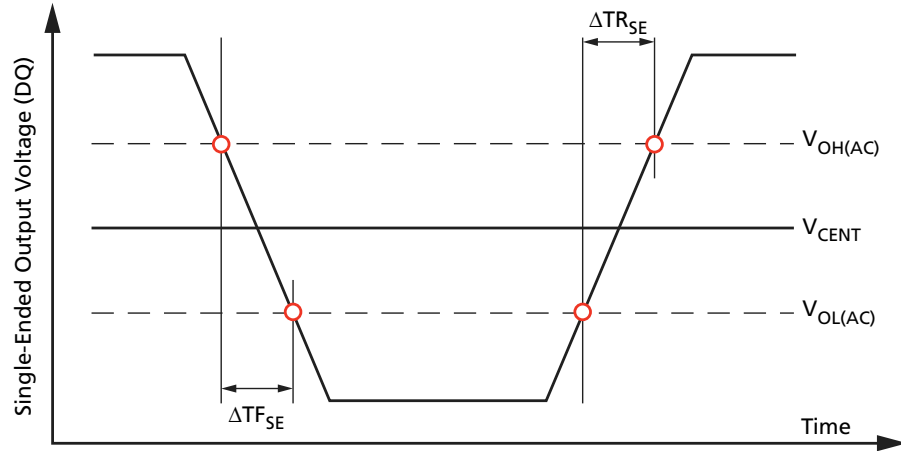
Parameter	Symbol	Value		Units
		Min	Max	
Single-ended output slew rate ( $V_{OH} = V_{DDQ} \times 0.5$ )	SRQse	3.0	9.0	V/ns
Output slew rate matching ratio (rise to fall)	–	0.8	1.2	–

- Notes: 1. SR = Slew rate; Q = Query output; se = Single-ended signal.  
 2. Measured with output reference load.  
 3. The ratio of pull-up to pull-down slew rate is specified for the same temperature and voltage, over the entire temperature and voltage range. For a given output, it represents the maximum difference between pull-up and pull-down drivers due to process variation.  
 4. The output slew rate for falling and rising edges is defined and measured between  $V_{OL(AC)} = 0.2 \times V_{OH(DC)}$  and  $V_{OH(AC)} = 0.8 \times V_{OH(DC)}$ .  
 5. Slew rates are measured under average SSO conditions with 50% of the DQ signals per data byte switching.



# 149-Ball NAND Flash with LPDDR4/LPDDR4X MCP Output Slew Rate and Overshoot/Undershoot specifications

**Figure 229: Single-Ended Output Slew Rate Definition**



## Differential Output Slew Rate

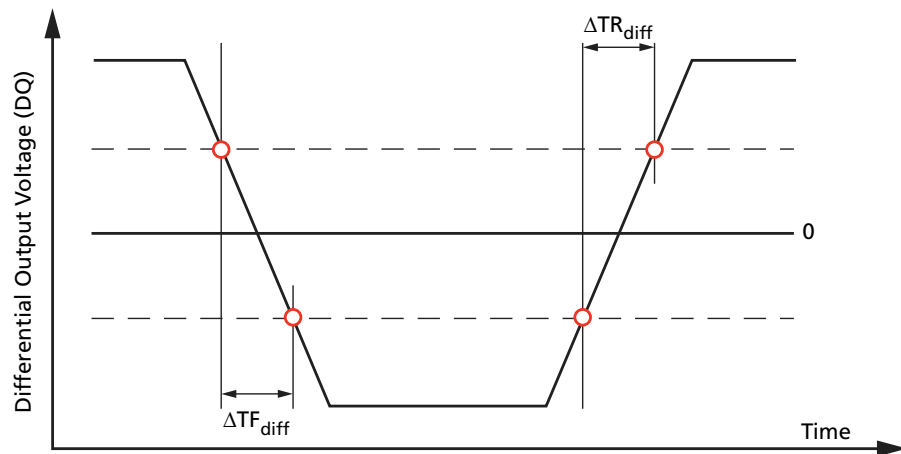
**Table 207: Differential Output Slew Rate**

Note 1-4 applies to entire table

Parameter	Symbol	Value		Units
		Min	Max	
Differential output slew rate ( $V_{OH} = V_{DDQ} \times 0.5$ )	SRQdiff	6	18	V/ns

- Notes:
1. SR = Slew rate; Q = Query output; se = Differential signal.
  2. Measured with output reference load.
  3. The output slew rate for falling and rising edges is defined and measured between  $V_{OL(AC)} = -0.8 \times V_{OH(DC)}$  and  $V_{OH(AC)} = 0.8 \times V_{OH(DC)}$ .
  4. Slew rates are measured under average SSO conditions with 50% of the DQ signals per data byte switching.

**Figure 230: Differential Output Slew Rate Definition**





# 149-Ball NAND Flash with LPDDR4/LPDDR4X MCP Driver Output Timing Reference Load

## Overshoot and Undershoot Specifications

**Table 208: AC Overshoot/Undershoot Specifications**

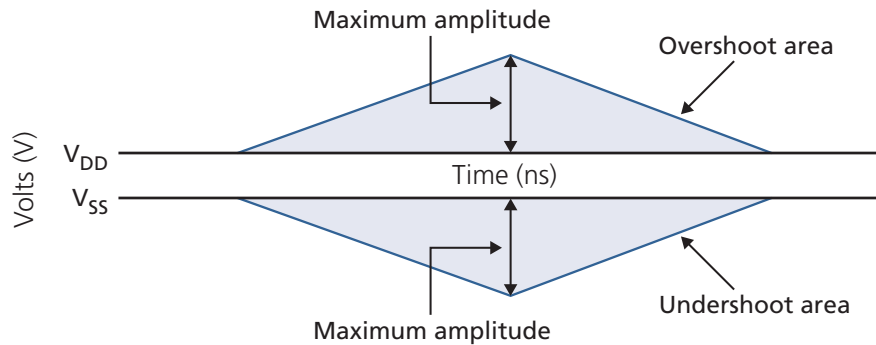
Parameter		1600	1866	3200	3733	4267	Unit
Maximum peak amplitude provided for overshoot area	MAX	0.3	0.3	0.3	0.3	0.3	V
Maximum peak amplitude provided for undershoot area	MAX	0.3	0.3	0.3	0.3	0.3	V
Maximum area above $V_{DD}/V_{DDQ}$	MAX	0.1	0.1	0.1	0.1	0.1	V-ns
Maximum area below $V_{SS}/V_{SSQ}$	MAX	0.1	0.1	0.1	0.1	0.1	V-ns

- Notes:
1.  $V_{DD}$  stands for  $V_{DD2}$  for CA[5:0], CK\_t, CS\_n, CE, and ODT.  $V_{DD}$  stands for  $V_{DDQ}$  for DQ, DMI, DQS\_t, and DQS\_c.
  2.  $V_{SS}$  stands for  $V_{SS}$  for CA[5:0], CK\_t, CK\_c, CS\_n, CE, and ODT.  $V_{SS}$  stands for  $V_{SSQ}$  for DQ, DMI, DQS\_t, and DQS\_c.
  3. Maximum peak amplitude values are referenced from actual  $V_{DD}$  and  $V_{SS}$  values.
  4. Maximum area values are referenced from maximum  $V_{DD}$  and  $V_{SS}$  values.

**Table 209: Overshoot/Undershoot Specification for CKE and RESET**

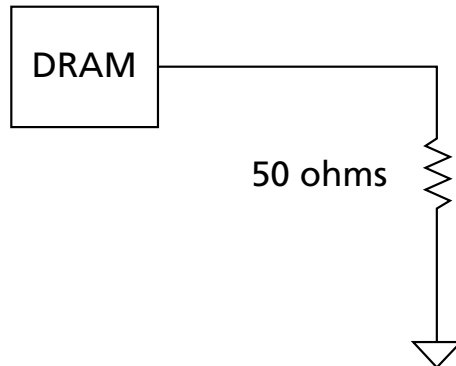
Parameter	Specification
Maximum peak amplitude provided for overshoot area	0.35V
Maximum peak amplitude provided for undershoot area	0.35V
Maximum area above $V_{DD}$	0.8 V-ns
Maximum area below $V_{SS}$	0.8 V-ns

**Figure 231: Overshoot and Undershoot Definition**



## Driver Output Timing Reference Load

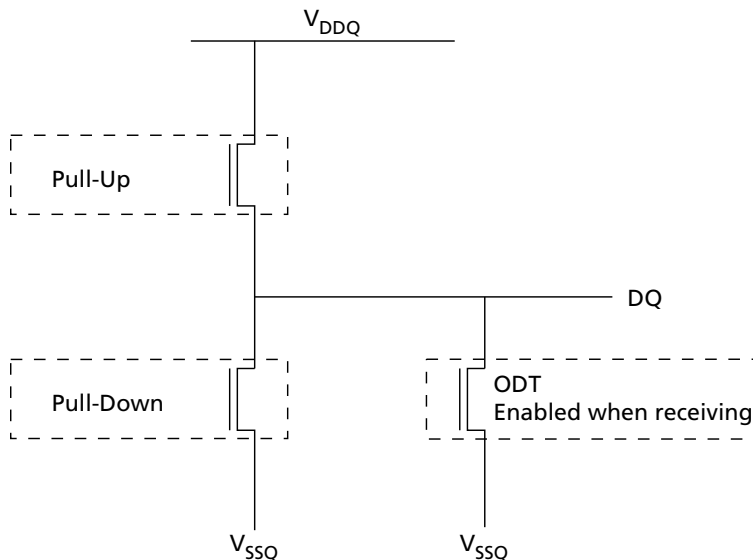
Timing reference loads are not intended as a precise representation of any particular system environment or depiction of an actual load presented by a production tester. System designers should use IBIS or other simulation tools to correlate the timing reference load to a system environment. Manufacturers correlate to their production test conditions, generally one or more coaxial transmission lines terminated at the tester electronics.


**Figure 232: Driver Output Timing Reference Load**


Note: 1. All output timing parameter values are reported with respect to this reference load; this reference load is also used to report slew rate.

## LVSTL I/O System

LVSTL I/O cells are comprised of a driver pull-up and pull-down and a terminator.

**Figure 233: LVSTL I/O Cell**


To ensure that the target impedance is achieved, calibrate the LVSTL I/O cell as following example:

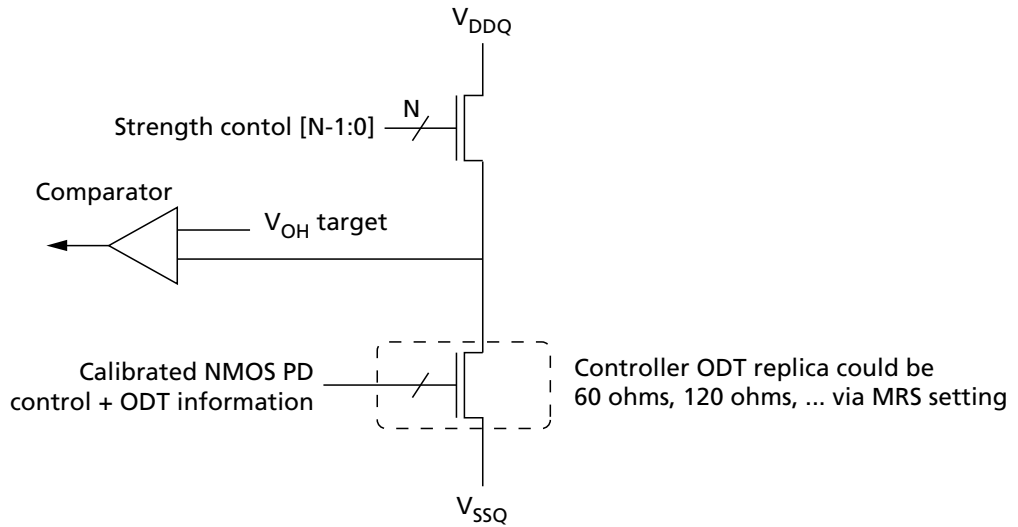
1. Calibrate the pull-down device against a 240 ohm resistor to  $V_{DDQ}$  via the ZQ pin.
  - Set strength control to minimum setting
  - Increase drive strength until comparator detects data bit is less than  $V_{DDQ}/2$
  - NMOS pull-down device is calibrated to 240 ohms
2. Calibrate the pull-up device against the calibrated pull-down device.
  - Set  $V_{OH}$  target and NMOS controller ODT replica via MRS ( $V_{OH}$  can be automatically controlled by ODT MRS)



# 149-Ball NAND Flash with LPDDR4/LPDDR4X MCP Input/Output Capacitance

- Set strength control to minimum setting
- Increase drive strength until comparator detects data bit is greater than  $V_{OH}$  target
- NMOS pull-up device is calibrated to  $V_{OH}$  target

**Figure 234: Pull-Up Calibration**



## Input/Output Capacitance

**Table 210: Input/Output Capacitance**

Notes 1 and 2 apply to entire table

Parameter	Symbol	Min	Max	Unit	Notes
Input capacitance, CK_t and CK_c	$C_{CK}$	0.5	0.9	pF	
Input capacitance delta, CK_t and CK_c	$C_{DCK}$	0	0.09		3
Input capacitance, all other input-only pins	$C_I$	0.5	0.9		4
Input capacitance delta, all other input-only pins	$C_{DI}$	-0.1	0.1		5
Input/output capacitance, DQ, DMI, DQS_t, DQS_c	$C_{IO}$	0.7	1.3		6
Input/output capacitance delta, DQS_t, DQS_c	$C_{DDQS}$	0	0.1		7
Input/output capacitance delta, DQ, DMI	$C_{DIO}$	-0.1	0.1		8
Input/output capacitance, ZQ pin	$C_{ZQ}$	0	5.0		

- Notes:
1. This parameter applies to LPDDR4 die only (does not include package capacitance).
  2. This parameter is not subject to production testing; It is verified by design and characterization. The capacitance is measured according to JEP147 (procedure for measuring input capacitance using a vector network analyzer), with  $V_{DD1}$ ,  $V_{DD2}$ ,  $V_{DDQ}$ , and  $V_{SS}$  applied; All other pins are left floating.
  3. Absolute value of  $C_{CK\_t} - C_{CK\_c}$ .
  4.  $C_I$  applies to CS, CKE, and CA[5:0].
  5.  $C_{DI} = C_I - 0.5 \times (C_{CK\_t} + C_{CK\_c})$ ; It does not apply to CKE.
  6. DMI loading matches DQ and DQS.
  7. Absolute value of  $C_{DQS\_t}$  and  $C_{DQS\_c}$ .



# 149-Ball NAND Flash with LPDDR4/LPDDR4X MCP I<sub>DD</sub> Specification Parameters and Test Conditions

8.  $C_{D10} = C_{I0} - \text{Average}(C_{DQn}, C_{DMI}, C_{DQS\_tr}, C_{DQS\_c})$  in byte-lane.

## I<sub>DD</sub> Specification Parameters and Test Conditions

**Table 211: I<sub>DD</sub> Measurement Conditions**

Switching for CA								
CK_t edge	R1	R2	R3	R4	R5	R6	R7	R8
CKE	HIGH	HIGH	HIGH	HIGH	HIGH	HIGH	HIGH	HIGH
CS	LOW	LOW	LOW	LOW	LOW	LOW	LOW	LOW
CA0	HIGH	LOW	LOW	LOW	LOW	HIGH	HIGH	HIGH
CA1	HIGH	HIGH	HIGH	LOW	LOW	LOW	LOW	HIGH
CA2	HIGH	LOW	LOW	LOW	LOW	HIGH	HIGH	HIGH
CA3	HIGH	HIGH	HIGH	LOW	LOW	LOW	LOW	HIGH
CA4	HIGH	LOW	LOW	LOW	LOW	HIGH	HIGH	HIGH
CA5	HIGH	HIGH	HIGH	LOW	LOW	LOW	LOW	HIGH

- Notes:
1. LOW =  $V_{IN} \leq V_{IL(DC)}$  MAX.  
HIGH =  $V_{IN} \geq V_{IH(DC)}$  MIN.  
STABLE = Inputs are stable at a HIGH or LOW level.
  2. CS must always be driven LOW.
  3. 50% of CA bus is changing between HIGH and LOW once per clock for the CA bus.
  4. The pattern is used continuously during I<sub>DD</sub> measurement for I<sub>DD</sub> values that require switching on the CA bus.

**Table 212: CA Pattern for I<sub>DD4R</sub> for BL = 16**

Clock Cycle Number	CKE	CS	Command	CA0	CA1	CA2	CA3	CA4	CA5
N	HIGH	HIGH	READ-1	L	H	L	L	L	L
N+1	HIGH	LOW		L	H	L	L	L	L
N+2	HIGH	HIGH	CAS-2	L	H	L	L	H	L
N+3	HIGH	LOW		L	L	L	L	L	L
N+4	HIGH	LOW	DES	L	L	L	L	L	L
N+5	HIGH	LOW	DES	L	L	L	L	L	L
N+6	HIGH	LOW	DES	L	L	L	L	L	L
N+7	HIGH	LOW	DES	L	L	L	L	L	L
N+8	HIGH	HIGH	READ-1	L	H	L	L	L	L
N+9	HIGH	LOW		L	H	L	L	H	L
N+10	HIGH	HIGH	CAS-2	L	H	L	L	H	H
N+11	HIGH	LOW		H	H	H	H	H	H
N+12	HIGH	LOW	DES	L	L	L	L	L	L
N+13	HIGH	LOW	DES	L	L	L	L	L	L
N+14	HIGH	LOW	DES	L	L	L	L	L	L



## 149-Ball NAND Flash with LPDDR4/LPDDR4X MCP I<sub>DD</sub> Specification Parameters and Test Conditions

**Table 212: CA Pattern for I<sub>DD4R</sub> for BL = 16 (Continued)**

Clock Cycle Number	CKE	CS	Command	CA0	CA1	CA2	CA3	CA4	CA5
N+15	HIGH	LOW	DES	L	L	L	L	L	L

- Notes:
1. BA[2:0] = 010; C[9:4] = 000000 or 111111; Burst order C[3:2] = 00 or 11 (same as LPDDR3 I<sub>DDR4R</sub> specification).
  2. CA pins are kept LOW with DES command to reduce ODT current (different from LPDDR3 I<sub>DDR4R</sub> specification).

**Table 213: CA Pattern for I<sub>DD4W</sub> for BL = 16**

Clock Cycle Number	CKE	CS	Command	CA0	CA1	CA2	CA3	CA4	CA5
N	HIGH	HIGH	WRITE-1	L	L	H	L	L	L
N+1	HIGH	LOW		L	H	L	L	L	L
N+2	HIGH	HIGH	CAS-2	L	H	L	L	H	L
N+3	HIGH	LOW		L	L	L	L	L	L
N+4	HIGH	LOW	DES	L	L	L	L	L	L
N+5	HIGH	LOW	DES	L	L	L	L	L	L
N+6	HIGH	LOW	DES	L	L	L	L	L	L
N+7	HIGH	LOW	DES	L	L	L	L	L	L
N+8	HIGH	HIGH	WRITE-1	L	L	H	L	L	L
N+9	HIGH	LOW		L	H	L	L	H	L
N+10	HIGH	HIGH	CAS-2	L	H	L	L	H	H
N+11	HIGH	LOW		L	L	H	H	H	H
N+12	HIGH	LOW	DES	L	L	L	L	L	L
N+13	HIGH	LOW	DES	L	L	L	L	L	L
N+14	HIGH	LOW	DES	L	L	L	L	L	L
N+15	HIGH	LOW	DES	L	L	L	L	L	L

- Notes:
1. BA[2:0] = 010; C[9:4] = 000000 or 111111 (same as LPDDR3 I<sub>DDR4W</sub> specification).
  2. No burst ordering (different from LPDDR3 I<sub>DDR4W</sub> specification).
  3. CA pins are kept LOW with DES command to reduce ODT current (different from LPDDR3 I<sub>DDR4W</sub> specification).

**Table 214: Data Pattern for I<sub>DD4W</sub> (DBI Off) for BL = 16**

DBI Off Case										
	DQ[7]	DQ[6]	DQ[5]	DQ[4]	DQ[3]	DQ[2]	DQ[1]	DQ[0]	DBI	# of 1s
BL0	1	1	1	1	1	1	1	1	0	8
BL1	1	1	1	1	0	0	0	0	0	4
BL2	0	0	0	0	0	0	0	0	0	0
BL3	0	0	0	0	1	1	1	1	0	4



## 149-Ball NAND Flash with LPDDR4/LPDDR4X MCP I<sub>DD</sub> Specification Parameters and Test Conditions

**Table 214: Data Pattern for I<sub>DD4W</sub> (DBI Off) for BL = 16 (Continued)**

DBI Off Case										
	DQ[7]	DQ[6]	DQ[5]	DQ[4]	DQ[3]	DQ[2]	DQ[1]	DQ[0]	DBI	# of 1s
BL4	0	0	0	0	0	0	1	1	0	2
BL5	0	0	0	0	1	1	1	1	0	4
BL6	1	1	1	1	1	1	0	0	0	6
BL7	1	1	1	1	0	0	0	0	0	4
BL8	1	1	1	1	1	1	1	1	0	8
BL9	1	1	1	1	0	0	0	0	0	4
BL10	0	0	0	0	0	0	0	0	0	0
BL11	0	0	0	0	1	1	1	1	0	4
BL12	0	0	0	0	0	0	1	1	0	2
BL13	0	0	0	0	1	1	1	1	0	4
BL14	1	1	1	1	1	1	0	0	0	6
BL15	1	1	1	1	0	0	0	0	0	4
BL16	1	1	1	1	1	1	0	0	0	6
BL17	1	1	1	1	0	0	0	0	0	4
BL18	0	0	0	0	0	0	1	1	0	2
BL19	0	0	0	0	1	1	1	1	0	4
BL20	0	0	0	0	0	0	0	0	0	0
BL21	0	0	0	0	1	1	1	1	0	4
BL22	1	1	1	1	1	1	1	1	0	8
BL23	1	1	1	1	0	0	0	0	0	4
BL24	0	0	0	0	0	0	1	1	0	2
BL25	0	0	0	0	1	1	1	1	0	4
BL26	1	1	1	1	1	1	0	0	0	6
BL27	1	1	1	1	0	0	0	0	0	4
BL28	1	1	1	1	1	1	1	1	0	8
BL29	1	1	1	1	0	0	0	0	0	4
BL30	0	0	0	0	0	0	0	0	0	0
BL31	0	0	0	0	1	1	1	1	0	4
# of 1s	16	16	16	16	16	16	16	16		

Note: 1. Simplified pattern; same data pattern was applied to DQ[4], DQ[5], DQ[6], and DQ[7] to reduce complexity for I<sub>DD4W</sub> pattern programming.

**Table 215: Data Pattern for I<sub>DD4R</sub> (DBI Off) for BL = 16**

DBI Off Case										
	DQ[7]	DQ[6]	DQ[5]	DQ[4]	DQ[3]	DQ[2]	DQ[1]	DQ[0]	DBI	# of 1s
BL0	1	1	1	1	1	1	1	1	0	8





## 149-Ball NAND Flash with LPDDR4/LPDDR4X MCP I<sub>DD</sub> Specification Parameters and Test Conditions

**Table 215: Data Pattern for I<sub>DD4R</sub> (DBI Off) for BL = 16 (Continued)**

DBI Off Case										
	DQ[7]	DQ[6]	DQ[5]	DQ[4]	DQ[3]	DQ[2]	DQ[1]	DQ[0]	DBI	# of 1s
BL1	1	1	1	1	0	0	0	0	0	4
BL2	0	0	0	0	0	0	0	0	0	0
BL3	0	0	0	0	1	1	1	1	0	4
BL4	0	0	0	0	0	0	1	1	0	2
BL5	0	0	0	0	1	1	1	1	0	4
BL6	1	1	1	1	1	1	0	0	0	6
BL7	1	1	1	1	0	0	0	0	0	4
BL8	1	1	1	1	1	1	1	1	0	8
BL9	1	1	1	1	0	0	0	0	0	4
BL10	0	0	0	0	0	0	0	0	0	0
BL11	0	0	0	0	1	1	1	1	0	4
BL12	0	0	0	0	0	0	1	1	0	2
BL13	0	0	0	0	1	1	1	1	0	4
BL14	1	1	1	1	1	1	0	0	0	6
BL15	1	1	1	1	0	0	0	0	0	4
BL16	1	1	1	1	1	1	1	1	0	8
BL17	1	1	1	1	0	0	0	0	0	4
BL18	0	0	0	0	0	0	0	0	0	0
BL19	0	0	0	0	1	1	1	1	0	4
BL20	1	1	1	1	1	1	0	0	0	6
BL21	1	1	1	1	0	0	0	0	0	4
BL22	0	0	0	0	0	0	1	1	0	2
BL23	0	0	0	0	1	1	1	1	0	4
BL24	0	0	0	0	0	0	0	0	0	0
BL25	0	0	0	0	1	1	1	1	0	4
BL26	1	1	1	1	1	1	1	1	0	8
BL27	1	1	1	1	0	0	0	0	0	4
BL28	0	0	0	0	0	0	1	1	0	2
BL29	0	0	0	0	1	1	1	1	0	4
BL30	1	1	1	1	1	1	0	0	0	6
BL31	1	1	1	1	0	0	0	0	0	4
# of 1s	16	16	16	16	16	16	16	16		

Note: 1. Simplified pattern; same data pattern was applied to DQ[4], DQ[5], DQ[6], and DQ[7] to reduce complexity for I<sub>DD4R</sub> pattern programming.



## 149-Ball NAND Flash with LPDDR4/LPDDR4X MCP I<sub>DD</sub> Specification Parameters and Test Conditions

**Table 216: Data Pattern for I<sub>DD4W</sub> (DBI On) for BL = 16**

DBI On Case										
	DQ[7]	DQ[6]	DQ[5]	DQ[4]	DQ[3]	DQ[2]	DQ[1]	DQ[0]	DBI	# of 1s
BL0	0	0	0	0	0	0	0	0	1	1
BL1	1	1	1	1	0	0	0	0	0	4
BL2	0	0	0	0	0	0	0	0	0	0
BL3	0	0	0	0	1	1	1	1	0	4
BL4	0	0	0	0	0	0	1	1	0	2
BL5	0	0	0	0	1	1	1	1	0	4
BL6	0	0	0	0	0	0	1	1	1	3
BL7	1	1	1	1	0	0	0	0	0	4
BL8	0	0	0	0	0	0	0	0	1	1
BL9	1	1	1	1	0	0	0	0	0	4
BL10	0	0	0	0	0	0	0	0	0	0
BL11	0	0	0	0	1	1	1	1	0	4
BL12	0	0	0	0	0	0	1	1	0	2
BL13	0	0	0	0	1	1	1	1	0	4
BL14	0	0	0	0	0	0	1	1	1	3
BL15	1	1	1	1	0	0	0	0	0	4
BL16	0	0	0	0	0	0	1	1	1	3
BL17	1	1	1	1	0	0	0	0	0	4
BL18	0	0	0	0	0	0	1	1	0	2
BL19	0	0	0	0	1	1	1	1	0	4
BL20	0	0	0	0	0	0	0	0	0	0
BL21	0	0	0	0	1	1	1	1	0	4
BL22	0	0	0	0	0	0	0	0	1	1
BL23	1	1	1	1	0	0	0	0	0	4
BL24	0	0	0	0	0	0	1	1	0	2
BL25	0	0	0	0	1	1	1	1	0	4
BL26	0	0	0	0	0	0	1	1	1	3
BL27	1	1	1	1	0	0	0	0	0	4
BL28	0	0	0	0	0	0	0	0	1	1
BL29	1	1	1	1	0	0	0	0	0	4
BL30	0	0	0	0	0	0	0	0	0	0
BL31	0	0	0	0	1	1	1	1	0	4
# of 1s	8	8	8	8	8	8	16	16	8	

Note: 1. DBI enabled burst: BL0, BL6, BL8, BL14, BL16, BL22, BL26, and BL28.



## 149-Ball NAND Flash with LPDDR4/LPDDR4X MCP I<sub>DD</sub> Specification Parameters and Test Conditions

**Table 217: Data Pattern for I<sub>DD4R</sub> (DBI On) for BL = 16**

DBI On Case										
	DQ[7]	DQ[6]	DQ[5]	DQ[4]	DQ[3]	DQ[2]	DQ[1]	DQ[0]	DBI	# of 1s
BL0	0	0	0	0	0	0	0	0	1	1
BL1	1	1	1	1	0	0	0	0	0	4
BL2	0	0	0	0	0	0	0	0	0	0
BL3	0	0	0	0	1	1	1	1	0	4
BL4	0	0	0	0	0	0	1	1	0	2
BL5	0	0	0	0	1	1	1	1	0	4
BL6	0	0	0	0	0	0	1	1	1	3
BL7	1	1	1	1	0	0	0	0	0	4
BL8	0	0	0	0	0	0	0	0	1	1
BL9	1	1	1	1	0	0	0	0	0	4
BL10	0	0	0	0	0	0	0	0	0	0
BL11	0	0	0	0	1	1	1	1	0	4
BL12	0	0	0	0	0	0	1	1	0	2
BL13	0	0	0	0	1	1	1	1	0	4
BL14	0	0	0	0	0	0	1	1	1	3
BL15	1	1	1	1	0	0	0	0	0	4
BL16	0	0	0	0	0	0	0	0	1	1
BL17	1	1	1	1	0	0	0	0	0	4
BL18	0	0	0	0	0	0	0	0	0	0
BL19	0	0	0	0	1	1	1	1	0	4
BL20	0	0	0	0	0	0	1	1	1	3
BL21	1	1	1	1	0	0	0	0	0	4
BL22	0	0	0	0	0	0	1	1	0	2
BL23	0	0	0	0	1	1	1	1	0	4
BL24	0	0	0	0	0	0	0	0	0	0
BL25	0	0	0	0	1	1	1	1	0	4
BL26	0	0	0	0	0	0	0	0	1	1
BL27	1	1	1	1	0	0	0	0	0	4
BL28	0	0	0	0	0	0	1	1	0	2
BL29	0	0	0	0	1	1	1	1	0	4
BL30	0	0	0	0	0	0	1	1	1	3
BL31	1	1	1	1	0	0	0	0	0	4
# of 1s	8	8	8	8	8	8	16	16	8	

Note: 1. DBI enabled burst: BL0, BL6, BL8, BL14, BL20, BL26, and BL30.



## 149-Ball NAND Flash with LPDDR4/LPDDR4X MCP I<sub>DD</sub> Specification Parameters and Test Conditions

**Table 218: CA Pattern for I<sub>DD4R</sub> for BL = 32**

Clock Cycle Number	CKE	CS	Command	CA0	CA1	CA2	CA3	CA4	CA5
N	HIGH	HIGH	READ-1	L	H	L	L	L	L
N+1	HIGH	LOW		L	H	L	L	L	L
N+2	HIGH	HIGH	CAS-2	L	H	L	L	H	L
N+3	HIGH	LOW		L	L	L	L	L	L
N+4	HIGH	LOW	DES	L	L	L	L	L	L
N+5	HIGH	LOW	DES	L	L	L	L	L	L
N+6	HIGH	LOW	DES	L	L	L	L	L	L
N+7	HIGH	LOW	DES	L	L	L	L	L	L
N+8	HIGH	LOW	DES	L	L	L	L	L	L
N+9	HIGH	LOW	DES	L	L	L	L	L	L
N+10	HIGH	LOW	DES	L	L	L	L	L	L
N+11	HIGH	LOW	DES	L	L	L	L	L	L
N+12	HIGH	LOW	DES	L	L	L	L	L	L
N+13	HIGH	LOW	DES	L	L	L	L	L	L
N+14	HIGH	LOW	DES	L	L	L	L	L	L
N+15	HIGH	LOW	DES	L	L	L	L	L	L
N+16	HIGH	HIGH	READ-1	L	H	L	L	L	L
N+17	HIGH	LOW		L	H	L	L	H	L
N+18	HIGH	HIGH	CAS-2	L	H	L	L	H	H
N+19	HIGH	LOW		H	H	L	H	H	H
N+20	HIGH	LOW	DES	L	L	L	L	L	L
N+21	HIGH	LOW	DES	L	L	L	L	L	L
N+22	HIGH	LOW	DES	L	L	L	L	L	L
N+23	HIGH	LOW	DES	L	L	L	L	L	L
N+24	HIGH	LOW	DES	L	L	L	L	L	L
N+25	HIGH	LOW	DES	L	L	L	L	L	L
N+26	HIGH	LOW	DES	L	L	L	L	L	L
N+27	HIGH	LOW	DES	L	L	L	L	L	L
N+28	HIGH	LOW	DES	L	L	L	L	L	L
N+29	HIGH	LOW	DES	L	L	L	L	L	L
N+30	HIGH	LOW	DES	L	L	L	L	L	L
N+31	HIGH	LOW	DES	L	L	L	L	L	L

Note: 1. BA[2:0] = 010, C[9:5] = 00000 or 11111, Burst order C[4:2] = 000 or 111.



## 149-Ball NAND Flash with LPDDR4/LPDDR4X MCP I<sub>DD</sub> Specification Parameters and Test Conditions

**Table 219: CA Pattern for I<sub>DD4W</sub> for BL = 32**

Clock Cycle Number	CKE	CS	Command	CA0	CA1	CA2	CA3	CA4	CA5
N	HIGH	HIGH	WRITE-1	L	L	H	L	L	L
N+1	HIGH	LOW		L	H	L	L	L	L
N+2	HIGH	HIGH	CAS-2	L	H	L	L	H	L
N+3	HIGH	LOW		L	L	L	L	L	L
N+4	HIGH	LOW	DES	L	L	L	L	L	L
N+5	HIGH	LOW	DES	L	L	L	L	L	L
N+6	HIGH	LOW	DES	L	L	L	L	L	L
N+7	HIGH	LOW	DES	L	L	L	L	L	L
N+8	HIGH	LOW	DES	L	L	L	L	L	L
N+9	HIGH	LOW	DES	L	L	L	L	L	L
N+10	HIGH	LOW	DES	L	L	L	L	L	L
N+11	HIGH	LOW	DES	L	L	L	L	L	L
N+12	HIGH	LOW	DES	L	L	L	L	L	L
N+13	HIGH	LOW	DES	L	L	L	L	L	L
N+14	HIGH	LOW	DES	L	L	L	L	L	L
N+15	HIGH	LOW	DES	L	L	L	L	L	L
N+16	HIGH	HIGH	WRITE-1	L	L	H	L	L	L
N+17	HIGH	LOW		L	H	L	L	H	L
N+18	HIGH	HIGH	CAS-2	L	H	L	L	H	H
N+19	HIGH	LOW		L	L	L	H	H	H
N+20	HIGH	LOW	DES	L	L	L	L	L	L
N+21	HIGH	LOW	DES	L	L	L	L	L	L
N+22	HIGH	LOW	DES	L	L	L	L	L	L
N+23	HIGH	LOW	DES	L	L	L	L	L	L
N+24	HIGH	LOW	DES	L	L	L	L	L	L
N+25	HIGH	LOW	DES	L	L	L	L	L	L
N+26	HIGH	LOW	DES	L	L	L	L	L	L
N+27	HIGH	LOW	DES	L	L	L	L	L	L
N+28	HIGH	LOW	DES	L	L	L	L	L	L
N+29	HIGH	LOW	DES	L	L	L	L	L	L
N+30	HIGH	LOW	DES	L	L	L	L	L	L
N+31	HIGH	LOW	DES	L	L	L	L	L	L

Note: 1. BA[2:0] = 010, C[9:5] = 00000 or 11111.



## 149-Ball NAND Flash with LPDDR4/LPDDR4X MCP I<sub>DD</sub> Specification Parameters and Test Conditions

**Table 220: Data Pattern for I<sub>DD4W</sub> (DBI Off) for BL = 32**

DBI Off Case										
	DQ[7]	DQ[6]	DQ[5]	DQ[4]	DQ[3]	DQ[2]	DQ[1]	DQ[0]	DBI	# of 1s
BL0	1	1	1	1	1	1	1	1	0	8
BL1	1	1	1	1	0	0	0	0	0	4
BL2	0	0	0	0	0	0	0	0	0	0
BL3	0	0	0	0	1	1	1	1	0	4
BL4	0	0	0	0	0	0	1	1	0	2
BL5	0	0	0	0	1	1	1	1	0	4
BL6	1	1	1	1	1	1	0	0	0	6
BL7	1	1	1	1	0	0	0	0	0	4
BL8	1	1	1	1	1	1	1	1	0	8
BL9	1	1	1	1	0	0	0	0	0	4
BL10	0	0	0	0	0	0	0	0	0	0
BL11	0	0	0	0	1	1	1	1	0	4
BL12	0	0	0	0	0	0	1	1	0	2
BL13	0	0	0	0	1	1	1	1	0	4
BL14	1	1	1	1	1	1	0	0	0	6
BL15	1	1	1	1	0	0	0	0	0	4
BL16	1	1	1	1	1	1	0	0	0	6
BL17	1	1	1	1	0	0	0	0	0	4
BL18	0	0	0	0	0	0	1	1	0	2
BL19	0	0	0	0	1	1	1	1	0	4
BL20	0	0	0	0	0	0	0	0	0	0
BL21	0	0	0	0	1	1	1	1	0	4
BL22	1	1	1	1	1	1	1	1	0	8
BL23	1	1	1	1	0	0	0	0	0	4
BL24	0	0	0	0	0	0	1	1	0	2
BL25	0	0	0	0	1	1	1	1	0	4
BL26	1	1	1	1	1	1	0	0	0	6
BL27	1	1	1	1	0	0	0	0	0	4
BL28	1	1	1	1	1	1	1	1	0	8
BL29	1	1	1	1	0	0	0	0	0	4
BL30	0	0	0	0	0	0	0	0	0	0
BL31	0	0	0	0	1	1	1	1	0	4
BL32	1	1	1	1	1	1	1	1	0	8
BL33	1	1	1	1	0	0	0	0	0	4
BL34	0	0	0	0	0	0	0	0	0	0
BL35	0	0	0	0	1	1	1	1	0	4
BL36	0	0	0	0	0	0	1	1	0	2



## 149-Ball NAND Flash with LPDDR4/LPDDR4X MCP I<sub>DD</sub> Specification Parameters and Test Conditions

**Table 220: Data Pattern for I<sub>DD4W</sub> (DBI Off) for BL = 32 (Continued)**

DBI Off Case										
	DQ[7]	DQ[6]	DQ[5]	DQ[4]	DQ[3]	DQ[2]	DQ[1]	DQ[0]	DBI	# of 1s
BL37	0	0	0	0	1	1	1	1	0	4
BL38	1	1	1	1	1	1	0	0	0	6
BL39	1	1	1	1	0	0	0	0	0	4
BL40	1	1	1	1	1	1	1	1	0	8
BL41	1	1	1	1	0	0	0	0	0	4
BL42	0	0	0	0	0	0	0	0	0	0
BL43	0	0	0	0	1	1	1	1	0	4
BL44	0	0	0	0	0	0	1	1	0	2
BL45	0	0	0	0	1	1	1	1	0	4
BL46	1	1	1	1	1	1	0	0	0	6
BL47	1	1	1	1	0	0	0	0	0	4
BL48	1	1	1	1	1	1	0	0	0	6
BL49	1	1	1	1	0	0	0	0	0	4
BL50	0	0	0	0	0	0	1	1	0	2
BL51	0	0	0	0	1	1	1	1	0	4
BL52	0	0	0	0	0	0	0	0	0	0
BL53	0	0	0	0	1	1	1	1	0	4
BL54	1	1	1	1	1	1	1	1	0	8
BL55	1	1	1	1	0	0	0	0	0	4
BL56	0	0	0	0	0	0	1	1	0	2
BL57	0	0	0	0	1	1	1	1	0	4
BL58	1	1	1	1	1	1	0	0	0	6
BL59	1	1	1	1	0	0	0	0	0	4
BL60	1	1	1	1	1	1	1	1	0	8
BL61	1	1	1	1	0	0	0	0	0	4
BL62	0	0	0	0	0	0	0	0	0	0
BL63	0	0	0	0	1	1	1	1	0	4
# of 1s	32	32	32	32	32	32	32	32		

Note: 1. Simplified pattern; same data pattern was applied to DQ[4], DQ[5], DQ[6], and DQ[7] to reduce complexity for I<sub>DD4W</sub> pattern programming.

**Table 221: Data Pattern for I<sub>DD4R</sub> (DBI Off) for BL = 32**

DBI Off Case										
	DQ[7]	DQ[6]	DQ[5]	DQ[4]	DQ[3]	DQ[2]	DQ[1]	DQ[0]	DBI	# of 1s
BL0	1	1	1	1	1	1	1	1	0	8
BL1	1	1	1	1	0	0	0	0	0	4



## 149-Ball NAND Flash with LPDDR4/LPDDR4X MCP I<sub>DD</sub> Specification Parameters and Test Conditions

**Table 221: Data Pattern for I<sub>DD4R</sub> (DBI Off) for BL = 32 (Continued)**

DBI Off Case										
	DQ[7]	DQ[6]	DQ[5]	DQ[4]	DQ[3]	DQ[2]	DQ[1]	DQ[0]	DBI	# of 1s
BL2	0	0	0	0	0	0	0	0	0	0
BL3	0	0	0	0	1	1	1	1	0	4
BL4	0	0	0	0	0	0	1	1	0	2
BL5	0	0	0	0	1	1	1	1	0	4
BL6	1	1	1	1	1	1	0	0	0	6
BL7	1	1	1	1	0	0	0	0	0	4
BL8	1	1	1	1	1	1	1	1	0	8
BL9	1	1	1	1	0	0	0	0	0	4
BL10	0	0	0	0	0	0	0	0	0	0
BL11	0	0	0	0	1	1	1	1	0	4
BL12	0	0	0	0	0	0	1	1	0	2
BL13	0	0	0	0	1	1	1	1	0	4
BL14	1	1	1	1	1	1	0	0	0	6
BL15	1	1	1	1	0	0	0	0	0	4
BL16	1	1	1	1	1	1	0	0	0	6
BL17	1	1	1	1	0	0	0	0	0	4
BL18	0	0	0	0	0	0	1	1	0	2
BL19	0	0	0	0	1	1	1	1	0	4
BL20	0	0	0	0	0	0	0	0	0	0
BL21	0	0	0	0	1	1	1	1	0	4
BL22	1	1	1	1	1	1	1	1	0	8
BL23	1	1	1	1	0	0	0	0	0	4
BL24	0	0	0	0	0	0	1	1	0	2
BL25	0	0	0	0	1	1	1	1	0	4
BL26	1	1	1	1	1	1	0	0	0	6
BL27	1	1	1	1	0	0	0	0	0	4
BL28	1	1	1	1	1	1	1	1	0	8
BL29	1	1	1	1	0	0	0	0	0	4
BL30	0	0	0	0	0	0	0	0	0	0
BL31	0	0	0	0	1	1	1	1	0	4
BL32	0	0	0	0	0	0	1	1	0	2
BL33	0	0	0	0	1	1	1	1	0	4
BL34	1	1	1	1	1	1	0	0	0	6
BL35	1	1	1	1	0	0	0	0	0	4
BL36	1	1	1	1	1	1	1	1	0	8
BL37	1	1	1	1	0	0	0	0	0	4
BL38	0	0	0	0	0	0	0	0	0	0





## 149-Ball NAND Flash with LPDDR4/LPDDR4X MCP I<sub>DD</sub> Specification Parameters and Test Conditions

**Table 221: Data Pattern for I<sub>DD4R</sub> (DBI Off) for BL = 32 (Continued)**

DBI Off Case										
	DQ[7]	DQ[6]	DQ[5]	DQ[4]	DQ[3]	DQ[2]	DQ[1]	DQ[0]	DBI	# of 1s
BL39	0	0	0	0	1	1	1	1	0	4
BL40	0	0	0	0	0	0	1	1	0	2
BL41	0	0	0	0	1	1	1	1	0	4
BL42	1	1	1	1	1	1	0	0	0	6
BL43	1	1	1	1	0	0	0	0	0	4
BL44	1	1	1	1	1	1	1	1	0	8
BL45	1	1	1	1	0	0	0	0	0	4
BL46	0	0	0	0	0	0	0	0	0	0
BL47	0	0	0	0	1	1	1	1	0	4
BL48	1	1	1	1	1	1	1	1	0	8
BL49	1	1	1	1	0	0	0	0	0	4
BL50	0	0	0	0	0	0	0	0	0	0
BL51	0	0	0	0	1	1	1	1	0	4
BL52	1	1	1	1	1	1	0	0	0	6
BL53	1	1	1	1	0	0	0	0	0	4
BL54	0	0	0	0	0	0	1	1	0	2
BL55	0	0	0	0	1	1	1	1	0	4
BL56	0	0	0	0	0	0	0	0	0	0
BL57	0	0	0	0	1	1	1	1	0	4
BL58	1	1	1	1	1	1	1	1	0	8
BL59	1	1	1	1	0	0	0	0	0	4
BL60	0	0	0	0	0	0	1	1	0	2
BL61	0	0	0	0	1	1	1	1	0	4
BL62	1	1	1	1	1	1	0	0	0	6
BL63	1	1	1	1	0	0	0	0	0	4
# of 1s	32	32	32	32	32	32	32	32		

Note: 1. Simplified pattern; same data pattern was applied to DQ[4], DQ[5], DQ[6], and DQ[7] to reduce complexity for I<sub>DD4R</sub> pattern programming.

**Table 222: Data Pattern for I<sub>DD4W</sub> (DBI On) for BL = 32**

DBI On Case										
	DQ[7]	DQ[6]	DQ[5]	DQ[4]	DQ[3]	DQ[2]	DQ[1]	DQ[0]	DBI	# of 1s
BL0	0	0	0	0	0	0	0	0	1	1
BL1	1	1	1	1	0	0	0	0	0	4
BL2	0	0	0	0	0	0	0	0	0	0
BL3	0	0	0	0	1	1	1	1	0	4



## 149-Ball NAND Flash with LPDDR4/LPDDR4X MCP I<sub>DD</sub> Specification Parameters and Test Conditions

**Table 222: Data Pattern for I<sub>DD4W</sub> (DBI On) for BL = 32 (Continued)**

DBI On Case										
	DQ[7]	DQ[6]	DQ[5]	DQ[4]	DQ[3]	DQ[2]	DQ[1]	DQ[0]	DBI	# of 1s
BL4	0	0	0	0	0	0	1	1	0	2
BL5	0	0	0	0	1	1	1	1	0	4
BL6	0	0	0	0	0	0	1	1	1	3
BL7	1	1	1	1	0	0	0	0	0	4
BL8	0	0	0	0	0	0	0	0	1	1
BL9	1	1	1	1	0	0	0	0	0	4
BL10	0	0	0	0	0	0	0	0	0	0
BL11	0	0	0	0	1	1	1	1	0	4
BL12	0	0	0	0	0	0	1	1	0	2
BL13	0	0	0	0	1	1	1	1	0	4
BL14	0	0	0	0	0	0	1	1	1	3
BL15	1	1	1	1	0	0	0	0	0	4
BL16	0	0	0	0	0	0	1	1	1	3
BL17	1	1	1	1	0	0	0	0	0	4
BL18	0	0	0	0	0	0	1	1	0	2
BL19	0	0	0	0	1	1	1	1	0	4
BL20	0	0	0	0	0	0	0	0	0	0
BL21	0	0	0	0	1	1	1	1	0	4
BL22	0	0	0	0	0	0	0	0	1	1
BL23	1	1	1	1	0	0	0	0	0	4
BL24	0	0	0	0	0	0	1	1	0	2
BL25	0	0	0	0	1	1	1	1	0	4
BL26	0	0	0	0	0	0	1	1	1	3
BL27	1	1	1	1	0	0	0	0	0	4
BL28	0	0	0	0	0	0	0	0	1	1
BL29	1	1	1	1	0	0	0	0	0	4
BL30	0	0	0	0	0	0	0	0	0	0
BL31	0	0	0	0	1	1	1	1	0	4
BL32	0	0	0	0	0	0	0	0	1	1
BL33	1	1	1	1	0	0	0	0	0	4
BL34	0	0	0	0	0	0	0	0	0	0
BL35	0	0	0	0	1	1	1	1	0	4
BL36	0	0	0	0	0	0	1	1	0	2
BL37	0	0	0	0	1	1	1	1	0	4
BL38	0	0	0	0	0	0	1	1	1	3
BL39	1	1	1	1	0	0	0	0	0	4
BL40	0	0	0	0	0	0	0	0	1	1



## 149-Ball NAND Flash with LPDDR4/LPDDR4X MCP I<sub>DD</sub> Specification Parameters and Test Conditions

**Table 222: Data Pattern for I<sub>DD4W</sub> (DBI On) for BL = 32 (Continued)**

DBI On Case										
	DQ[7]	DQ[6]	DQ[5]	DQ[4]	DQ[3]	DQ[2]	DQ[1]	DQ[0]	DBI	# of 1s
BL41	1	1	1	1	0	0	0	0	0	4
BL42	0	0	0	0	0	0	0	0	0	0
BL43	0	0	0	0	1	1	1	1	0	4
BL44	0	0	0	0	0	0	1	1	0	2
BL45	0	0	0	0	1	1	1	1	0	4
BL46	0	0	0	0	0	0	1	1	1	3
BL47	1	1	1	1	0	0	0	0	0	4
BL48	0	0	0	0	0	0	1	1	1	3
BL49	1	1	1	1	0	0	0	0	0	4
BL50	0	0	0	0	0	0	1	1	0	2
BL51	0	0	0	0	1	1	1	1	0	4
BL52	0	0	0	0	0	0	0	0	0	0
BL53	0	0	0	0	1	1	1	1	0	4
BL54	0	0	0	0	0	0	0	0	1	1
BL55	1	1	1	1	0	0	0	0	0	4
BL56	0	0	0	0	0	0	1	1	0	2
BL57	0	0	0	0	1	1	1	1	0	4
BL58	0	0	0	0	0	0	1	1	1	3
BL59	1	1	1	1	0	0	0	0	0	4
BL60	0	0	0	0	0	0	0	0	1	1
BL61	1	1	1	1	0	0	0	0	0	4
BL62	0	0	0	0	0	0	0	0	0	0
BL63	0	0	0	0	1	1	1	1	0	4
# of 1s	16	16	16	16	16	16	32	32	16	

Note: 1. DBI enabled burst: BL0, BL6, BL8, BL14, BL16, BL22, BL26, BL28, BL32, BL38, BL40, BL46, BL48, BL54, BL58, and BL60.

**Table 223: Data Pattern for I<sub>DD4R</sub> (DBI On) for BL = 32**

DBI On Case										
	DQ[7]	DQ[6]	DQ[5]	DQ[4]	DQ[3]	DQ[2]	DQ[1]	DQ[0]	DBI	# of 1s
BL0	0	0	0	0	0	0	0	0	1	1
BL1	1	1	1	1	0	0	0	0	0	4
BL2	0	0	0	0	0	0	0	0	0	0
BL3	0	0	0	0	1	1	1	1	0	4
BL4	0	0	0	0	0	0	1	1	0	2
BL5	0	0	0	0	1	1	1	1	0	4



## 149-Ball NAND Flash with LPDDR4/LPDDR4X MCP I<sub>DD</sub> Specification Parameters and Test Conditions

**Table 223: Data Pattern for I<sub>DD4R</sub> (DBI On) for BL = 32 (Continued)**

DBI On Case										
	DQ[7]	DQ[6]	DQ[5]	DQ[4]	DQ[3]	DQ[2]	DQ[1]	DQ[0]	DBI	# of 1s
BL6	0	0	0	0	0	0	1	1	1	3
BL7	1	1	1	1	0	0	0	0	0	4
BL8	0	0	0	0	0	0	0	0	1	1
BL9	1	1	1	1	0	0	0	0	0	4
BL10	0	0	0	0	0	0	0	0	0	0
BL11	0	0	0	0	1	1	1	1	0	4
BL12	0	0	0	0	0	0	1	1	0	2
BL13	0	0	0	0	1	1	1	1	0	4
BL14	0	0	0	0	0	0	1	1	1	3
BL15	1	1	1	1	0	0	0	0	0	4
BL16	0	0	0	0	0	0	1	1	1	3
BL17	1	1	1	1	0	0	0	0	0	4
BL18	0	0	0	0	0	0	1	1	0	2
BL19	0	0	0	0	1	1	1	1	0	4
BL20	0	0	0	0	0	0	0	0	0	0
BL21	0	0	0	0	1	1	1	1	0	4
BL22	0	0	0	0	0	0	0	0	1	1
BL23	1	1	1	1	0	0	0	0	0	4
BL24	0	0	0	0	0	0	1	1	0	2
BL25	0	0	0	0	1	1	1	1	0	4
BL26	0	0	0	0	0	0	1	1	1	3
BL27	1	1	1	1	0	0	0	0	0	4
BL28	0	0	0	0	0	0	0	0	1	1
BL29	1	1	1	1	0	0	0	0	0	4
BL30	0	0	0	0	0	0	0	0	0	0
BL31	0	0	0	0	1	1	1	1	0	4
BL32	0	0	0	0	0	0	1	1	0	2
BL33	0	0	0	0	1	1	1	1	0	4
BL34	0	0	0	0	0	0	1	1	1	3
BL35	1	1	1	1	0	0	0	0	0	4
BL36	0	0	0	0	0	0	0	0	1	1
BL37	1	1	1	1	0	0	0	0	0	4
BL38	0	0	0	0	0	0	0	0	0	0
BL39	0	0	0	0	1	1	1	1	0	4
BL40	0	0	0	0	0	0	1	1	0	2
BL41	0	0	0	0	1	1	1	1	0	4
BL42	0	0	0	0	0	0	1	1	1	3



## 149-Ball NAND Flash with LPDDR4/LPDDR4X MCP I<sub>DD</sub> Specification Parameters and Test Conditions

**Table 223: Data Pattern for I<sub>DD4R</sub> (DBI On) for BL = 32 (Continued)**

DBI On Case										
	DQ[7]	DQ[6]	DQ[5]	DQ[4]	DQ[3]	DQ[2]	DQ[1]	DQ[0]	DBI	# of 1s
BL43	1	1	1	1	0	0	0	0	0	4
BL44	0	0	0	0	0	0	0	0	1	1
BL45	1	1	1	1	0	0	0	0	0	4
BL46	0	0	0	0	0	0	0	0	0	0
BL47	0	0	0	0	1	1	1	1	0	4
BL48	0	0	0	0	0	0	0	0	1	1
BL49	1	1	1	1	0	0	0	0	0	4
BL50	0	0	0	0	0	0	0	0	0	0
BL51	0	0	0	0	1	1	1	1	0	4
BL52	0	0	0	0	0	0	1	1	1	3
BL53	1	1	1	1	0	0	0	0	0	4
BL54	0	0	0	0	0	0	1	1	0	2
BL55	0	0	0	0	1	1	1	1	0	4
BL56	0	0	0	0	0	0	0	0	0	0
BL57	0	0	0	0	1	1	1	1	0	4
BL58	0	0	0	0	0	0	0	0	1	1
BL59	1	1	1	1	0	0	0	0	0	4
BL60	0	0	0	0	0	0	1	1	0	2
BL61	0	0	0	0	1	1	1	1	0	4
BL62	0	0	0	0	0	0	1	1	1	3
BL63	1	1	1	1	0	0	0	0	0	4
# of 1s	16	16	16	16	16	16	32	32	16	

Note: 1. DBI enabled burst: BL0, BL6, BL8, BL14, BL16, BL22, BL26, BL28, BL34, BL36, BL42, BL44, BL48, BL52, BL58, and BL62.



# 149-Ball NAND Flash with LPDDR4/LPDDR4X MCP I<sub>DD</sub> Specification Parameters and Test Conditions

## I<sub>DD</sub> Specifications

I<sub>DD</sub> values are for the entire operating voltage range, and all of them are for the entire standard temperature range.

**Table 224: I<sub>DD</sub> Specification Parameters and Operating Conditions**

LPDDR4: V<sub>DD2</sub>, V<sub>DDQ</sub> = 1.06–1.17V; V<sub>DD1</sub> = 1.70–1.95V

LPDDR4X: V<sub>DD2</sub> = 1.06–1.17V; V<sub>DDQ</sub> = 0.57–0.65V; V<sub>DD1</sub> = 1.70–1.95V

Parameter/Condition	Symbol	Power Supply	Notes
<b>Operating one bank active-precharge current:</b> <sup>t</sup> CK = <sup>t</sup> CK (MIN); <sup>t</sup> RC = <sup>t</sup> RC (MIN); CKE is HIGH; CS is LOW between valid commands; CA bus inputs are switching; Data bus inputs are stable; ODT is disabled	I <sub>DD01</sub>	V <sub>DD1</sub>	
	I <sub>DD02</sub>	V <sub>DD2</sub>	
	I <sub>DD0Q</sub>	V <sub>DDQ</sub>	2
<b>Idle power-down standby current:</b> <sup>t</sup> CK = <sup>t</sup> CK (MIN); CKE is LOW; CS is LOW; All banks are idle; CA bus inputs are switching; Data bus inputs are stable; ODT is disabled	I <sub>DD2P1</sub>	V <sub>DD1</sub>	
	I <sub>DD2P2</sub>	V <sub>DD2</sub>	
	I <sub>DD2PQ</sub>	V <sub>DDQ</sub>	2
<b>Idle power-down standby current with clock stop:</b> CK <sub>t</sub> = LOW, CK <sub>c</sub> = HIGH; CKE is LOW; CS is LOW; All banks are idle; CA bus inputs are stable; Data bus inputs are stable; ODT is disabled	I <sub>DD2PS1</sub>	V <sub>DD1</sub>	
	I <sub>DD2PS2</sub>	V <sub>DD2</sub>	
	I <sub>DD2PSQ</sub>	V <sub>DDQ</sub>	2
<b>Idle non-power-down standby current:</b> <sup>t</sup> CK = <sup>t</sup> CK (MIN); CKE is HIGH; CS is LOW; All banks are idle; CA bus inputs are switching; Data bus inputs are stable; ODT is disabled	I <sub>DD2N1</sub>	V <sub>DD1</sub>	
	I <sub>DD2N2</sub>	V <sub>DD2</sub>	
	I <sub>DD2NQ</sub>	V <sub>DDQ</sub>	2
<b>Idle non-power-down standby current with clock stopped:</b> CK <sub>t</sub> = LOW; CK <sub>c</sub> = HIGH; CKE is HIGH; CS is LOW; All banks are idle; CA bus inputs are stable; Data bus inputs are stable; ODT is disabled	I <sub>DD2NS1</sub>	V <sub>DD1</sub>	
	I <sub>DD2NS2</sub>	V <sub>DD2</sub>	
	I <sub>DD2NSQ</sub>	V <sub>DDQ</sub>	2
<b>Active power-down standby current:</b> <sup>t</sup> CK = <sup>t</sup> CK (MIN); CKE is LOW; CS is LOW; One bank is active; CA bus inputs are switching; Data bus inputs are stable; ODT is disabled	I <sub>DD3P1</sub>	V <sub>DD1</sub>	
	I <sub>DD3P2</sub>	V <sub>DD2</sub>	
	I <sub>DD3PQ</sub>	V <sub>DDQ</sub>	2
<b>Active power-down standby current with clock stop:</b> CK <sub>t</sub> = LOW, CK <sub>c</sub> = HIGH; CKE is LOW; CS is LOW; One bank is active; CA bus inputs are stable; Data bus inputs are stable; ODT is disabled	I <sub>DD3PS1</sub>	V <sub>DD1</sub>	
	I <sub>DD3PS2</sub>	V <sub>DD2</sub>	
	I <sub>DD3PSQ</sub>	V <sub>DDQ</sub>	3
<b>Active non-power-down standby current:</b> <sup>t</sup> CK = <sup>t</sup> CK (MIN); CKE is HIGH; CS is LOW; One bank is active; CA bus inputs are switching; Data bus inputs are stable; ODT is disabled	I <sub>DD3N1</sub>	V <sub>DD1</sub>	
	I <sub>DD3N2</sub>	V <sub>DD2</sub>	
	I <sub>DD3NQ</sub>	V <sub>DDQ</sub>	3
<b>Active non-power-down standby current with clock stopped:</b> CK <sub>t</sub> = LOW, CK <sub>c</sub> = HIGH; CKE is HIGH; CS is LOW; One bank is active; CA bus inputs are stable; Data bus inputs are stable; ODT is disabled	I <sub>DD3NS1</sub>	V <sub>DD1</sub>	
	I <sub>DD3NS2</sub>	V <sub>DD2</sub>	
	I <sub>DD3NSQ</sub>	V <sub>DDQ</sub>	3
<b>Operating burst READ current:</b> <sup>t</sup> CK = <sup>t</sup> CK (MIN); CS is LOW between valid commands; One bank is active; BL = 16 or 32; RL = RL (MIN); CA bus inputs are switching; 50% data change each burst transfer; ODT is disabled	I <sub>DD4R1</sub>	V <sub>DD1</sub>	
	I <sub>DD4R2</sub>	V <sub>DD2</sub>	
	I <sub>DD4RQ</sub>	V <sub>DDQ</sub>	4



## 149-Ball NAND Flash with LPDDR4/LPDDR4X MCP I<sub>DD</sub> Specification Parameters and Test Conditions

**Table 224: I<sub>DD</sub> Specification Parameters and Operating Conditions (Continued)**

LPDDR4: V<sub>DD2</sub>, V<sub>DDQ</sub> = 1.06–1.17V; V<sub>DD1</sub> = 1.70–1.95V

LPDDR4X: V<sub>DD2</sub> = 1.06–1.17V; V<sub>DDQ</sub> = 0.57–0.65V; V<sub>DD1</sub> = 1.70–1.95V

Parameter/Condition	Symbol	Power Supply	Notes
<b>Operating burst WRITE current:</b> t <sub>CK</sub> = t <sub>CK</sub> (MIN); CS is LOW between valid commands; One bank is active; BL = 16 or 32; WL = WL (MIN); CA bus inputs are switching; 50% data change each burst transfer; ODT is disabled	I <sub>DD4W1</sub>	V <sub>DD1</sub>	
	I <sub>DD4W2</sub>	V <sub>DD2</sub>	
	I <sub>DD4WQ</sub>	V <sub>DDQ</sub>	3
<b>All-bank REFRESH burst current:</b> t <sub>CK</sub> = t <sub>CK</sub> (MIN); CKE is HIGH between valid commands; t <sub>RC</sub> = t <sub>RFCab</sub> (MIN); Burst refresh; CA bus inputs are switching; Data bus inputs are stable; ODT is disabled	I <sub>DD51</sub>	V <sub>DD1</sub>	
	I <sub>DD52</sub>	V <sub>DD2</sub>	
	I <sub>DD5Q</sub>	V <sub>DDQ</sub>	3
<b>All-bank REFRESH average current:</b> t <sub>CK</sub> = t <sub>CK</sub> (MIN); CKE is HIGH between valid commands; t <sub>RC</sub> = t <sub>REFI</sub> ; CA bus inputs are switching; Data bus inputs are stable; ODT is disabled	I <sub>DD5AB1</sub>	V <sub>DD1</sub>	
	I <sub>DD5AB2</sub>	V <sub>DD2</sub>	
	I <sub>DD5ABQ</sub>	V <sub>DDQ</sub>	3
<b>Per-bank REFRESH average current:</b> t <sub>CK</sub> = t <sub>CK</sub> (MIN); CKE is HIGH between valid commands; t <sub>RC</sub> = t <sub>REFI</sub> /8; CA bus inputs are switching; Data bus inputs are stable; ODT is disabled	I <sub>DD5PB1</sub>	V <sub>DD1</sub>	
	I <sub>DD5PB2</sub>	V <sub>DD2</sub>	
	I <sub>DD5PBQ</sub>	V <sub>DDQ</sub>	3
<b>Power-down self refresh current:</b> CK <sub>t</sub> = LOW, CK <sub>c</sub> = HIGH; CKE is LOW; CA bus inputs are stable; Data bus inputs are stable; Maximum 1x self refresh rate; ODT is disabled	I <sub>DD61</sub>	V <sub>DD1</sub>	5, 6
	I <sub>DD62</sub>	V <sub>DD2</sub>	5, 6
	I <sub>DD6Q</sub>	V <sub>DDQ</sub>	3, 5, 6

- Notes:
1. ODT disabled: MR11[2:0] = 000b.
  2. I<sub>DD</sub> current specifications are tested after the device is properly initialized.
  3. Measured currents are the summation of V<sub>DDQ</sub> and V<sub>DD2</sub>.
  4. Guaranteed by design with output load = 5pF and R<sub>ON</sub> = 40 ohm.
  5. The 1x self refresh rate is the rate at which the device is refreshed internally during self refresh before going into the elevated temperature range.
  6. This is the general definition that applies to full-array self refresh.
  7. For all I<sub>DD</sub> measurements, V<sub>IHCKE</sub> = 0.8 × V<sub>DD2</sub>; V<sub>ILCKE</sub> = 0.2 × V<sub>DD2</sub>.



## AC Timing

**Table 225: Clock Timing**

Parameter	Symbol	Min/ Max	Data Rate				Unit
			1600	3200	3733	4267	
Average clock period	$t_{CK(AVG)}$	Min	1250	625	535	468	ps
		Max	100	100	100	100	ns
Average HIGH pulse width	$t_{CH(AVG)}$	Min	0.46				$t_{CK(AVG)}$
		Max	0.54				
Average LOW pulse width	$t_{CL(AVG)}$	Min	0.46				$t_{CK(AVG)}$
		Max	0.54				
Absolute clock period	$t_{CK(ABS)}$	Min	$t_{CK(AVG)min} + t_{JIT(per)min}$				ps
Absolute clock HIGH pulse width	$t_{CH(ABS)}$	Min	0.43				$t_{CK(AVG)}$
		Max	0.57				
Absolute clock LOW pulse width	$t_{CL(ABS)}$	Min	0.43				$t_{CK(AVG)}$
		Max	0.57				
Clock period jitter	$t_{JIT(per)allowed}$	Min	-70	-40	-34	-30	ps
		Max	70	40	34	30	
Maximum clock jitter between two consecutive clock cycles (includes clock period jitter)	$t_{JIT(cc)allowed}$	Max	140	80	68	60	ps

**Table 226: Read Output Timing**

Parameter	Symbol	Min/ Max	Data Rate							Unit	Notes
			533	1066	1600	2133	2667	3200	3733		
DQS output access time from CK_t/CK_c	$t_{DQSCK}$	Min	1500							ps	1
		Max	3500								
DQS output access time from CK_t/CK_c - voltage variation	$t_{DQSCK\_VOLT}$	Max	7							ps/mV	2
DQS output access time from CK_t/CK_c - temperature variation	$t_{DQSCK\_TEMP}$	Max	4							ps/°C	3
CK to DQS rank to rank variation	$t_{DQSCK\_rank2rank}$	Max	1.0							ns	4, 5
DQS_t, DQS_c to DQ skew total, per group, per access (DBI Disabled)	$t_{DQSQ}$	Max	0.18							UI	6
DQ output hold time total from DQS_t, DQS_c (DBI Disabled)	$t_{QH}$	Min	MIN( $t_{QSH}$ , $t_{QSL}$ )							ps	6





**149-Ball NAND Flash with LPDDR4/LPDDR4X MCP  
AC Timing**

**Table 226: Read Output Timing (Continued)**

Parameter	Symbol	Min/ Max	Data Rate							Unit	Notes
			533	1066	1600	2133	2667	3200	3733		
Data output valid window time total, per pin (DBI-Disabled)	$t_{QW\_total}$	Min	0.75		0.73		0.70			UI	6, 11
DQS_t, DQS_c to DQ skew total, per group, per access (DBI-Enabled)	$t_{DQSQ\_DBI}$	Max	0.18							UI	6
DQ output hold time total from DQS_t, DQS_c (DBI-Enabled)	$t_{QH\_DBI}$	Min	MIN( $t_{QSH\_DBI}$ , $t_{QSL\_DBI}$ )							ps	6
Data output valid window time total, per pin (DBI-Enabled)	$t_{QW\_total\_DBI}$	Min	0.75		0.73		0.70			UI	6, 11
DQS_t, DQS_c differential output LOW time (DBI-Disabled)	$t_{QSL}$	Min	$t_{CL}(ABS) - 0.05$							$t_{CK}(AVG)$	9, 11
DQS_t, DQS_c differential output HIGH time (DBI-Disabled)	$t_{QSH}$	Min	$t_{CH}(ABS) - 0.05$							$t_{CK}(AVG)$	10, 11
DQS_t, DQS_c differential output LOW time (DBI-Enabled)	$t_{QSL\_DBI}$	Min	$t_{CL}(ABS) - 0.045$							$t_{CK}(AVG)$	9, 11
DQS_t, DQS_c differential output HIGH time (DBI-Enabled)	$t_{QSH\_DBI}$	Min	$t_{CH}(ABS) - 0.045$							$t_{CK}(AVG)$	10, 11
Read preamble	$t_{RPRE}$	Min	1.8							$t_{CK}(AVG)$	
Read postamble	$t_{RPST}$	Min	0.4 (or 1.4 if extra postamble is programmed in MR)							$t_{CK}(AVG)$	
DQS Low-Z from clock	$t_{LZ}(DQS)$	Min	$(RL \times t_{CK}) + t_{DQSC}(MIN) - (t_{RPRE}(MAX) \times t_{CK}) - 200ps$							ps	
DQ Low-Z from clock	$t_{LZ}(DQ)$	Min	$(RL \times t_{CK}) + t_{DQSC}(MIN) - 200ps$							ps	
DQS High-Z from clock	$t_{HZ}(DQS)$	Max	$(RL \times t_{CK}) + t_{DQSC}(MAX) + (BL/2 \times t_{CK}) + (t_{RPST}(MAX) \times t_{CK}) - 100ps$							ps	
DQ High-Z from clock	$t_{HZ}(DQ)$	Max	$(RL \times t_{CK}) + t_{DQSC}(MAX) + t_{DQSQ}(MAX) + (BL/2 \times t_{CK}) - 100ps$							ps	

- Notes:
1. This parameter includes DRAM process, voltage, and temperature variation. It also includes the AC noise impact for frequencies >20 MHz and a max voltage of 45mV peak-to-peak from DC-20 MHz at a fixed temperature on the package. The voltage supply noise must comply with the component MIN/MAX DC operating conditions.
  2.  $t_{DQSCK\_volt}$  max delay variation as a function of DC voltage variation for  $V_{DDQ}$  and  $V_{DD2}$ . The voltage supply noise must comply with the component MIN/MAX DC operating conditions. The voltage variation is defined as the  $MAX[ABS(t_{DQSCK}(MIN)@V1 - t_{DQSCK}(MAX)@V2), ABS(t_{DQSCK}(MAX)@V1 - t_{DQSCK}(MIN)@V2)]/ABS(V1 - V2)$ .
  3.  $t_{DQSCK\_temp}$  MAX delay variation as a function of temperature.
  4. The same voltage and temperature are applied to  $t_{DQSCK\_rank2rank}$ .



## 149-Ball NAND Flash with LPDDR4/LPDDR4X MCP AC Timing

5.  $t_{DQSCK\_rank2rank}$  parameter is applied to multi-ranks per byte lane within a package consisting of the same design die.
6. DQ-to-DQS differential jitter where the total includes the sum of deterministic and random timing terms for a specified BER.
7. The deterministic component of the total timing.
8. This parameter will be characterized and guaranteed by design.
9.  $t_{QSL}$  describes the instantaneous differential output low pulse width on DQS\_t - DQS\_c, as measured from one falling edge to the next consecutive rising edge.
10.  $t_{QSH}$  describes the instantaneous differential output high pulse width on DQS\_t - DQS\_c, as measured from one falling edge to the next consecutive rising edge.
11. This parameter is a function of input clock jitter. These values assume MIN  $t_{CH}(ABS)$  and  $t_{CL}(ABS)$ . When the input clock jitter MIN  $t_{CH}(ABS)$  and  $t_{CL}(ABS)$  is 0.44 or greater than  $t_{CK}(AVG)$ , the minimum value of  $t_{QSL}$  will be  $t_{CL}(ABS) - 0.04$  and  $t_{QSH}$  will be  $t_{CH}(ABS) - 0.04$ .

**Table 227: Write Timing**

Note UI =  $t_{CK}(AVG)(MIN)/2$

Parameter	Symbol	Min/ Max	Data Rate							Unit	Notes
			533	1066	1600	2133	2667	3200	3733		
Rx timing window total at $V_{dIVW}$ voltage levels	$TdIVW\_total$	Max	0.22				0.25			UI	1, 2, 3
DQ and DMI input pulse width (at $V_{CENT\_DQ}$ )	$TdIPW$	Min	0.45							UI	7
DQ-to-DQS offset	$t_{DQS2DQ}$	Min	200							ps	6
		Max	800								
DQ-to-DQ offset	$t_{DQDQ}$	Max	30							ps	7
DQ-to-DQS offset temperature variation	$t_{DQS2DQ\_temp}$	Max	0.6							ps/°C	8
DQ-to-DQS offset voltage variation	$t_{DQS2DQ\_volt}$	Max	33							ps/50mV	9
DQ-to-DQS offset rank to rank variation	$t_{DQS2DQ\_rank2rank}$	Max	200							ps	10, 11
WRITE command to first DQS transition	$t_{DQSS}$	Min	0.75							$t_{CK}(AVG)$	
		Max	1.25								
DQS input HIGH-level width	$t_{DQSH}$	Min	0.4							$t_{CK}(AVG)$	
DQS input LOW-level width	$t_{DQSL}$	Min	0.4							$t_{CK}(AVG)$	
DQS falling edge to CK setup time	$t_{DSS}$	Min	0.2							$t_{CK}(AVG)$	
DQS falling edge from CK hold time	$t_{DSH}$	Min	0.2							$t_{CK}(AVG)$	
Write postamble	$t_{WPST}$	Min	0.4 (or 1.4 if extra postamble is programmed in MR)							$t_{CK}(AVG)$	


**Table 227: Write Timing (Continued)**

 Note UI =  $t_{CK(AVG)}(MIN)/2$ 

Parameter	Symbol	Min/ Max	Data Rate							Unit	Notes
			533	1066	1600	2133	2667	3200	3733		
Write preamble	$t_{WPRE}$	Min	1.8							$t_{CK(AVG)}$	

- Notes:
1. Data Rx mask voltage and timing parameters are applied per pin and include the DRAM DQ-to-DQS voltage AC noise impact for frequencies >20 MHz with a maximum voltage of 45mV peak-to-peak at a fixed temperature on the package. The voltage supply noise must comply to the component MIN/MAX DC operating conditions.
  2. Rx differential DQ-to-DQS jitter total timing window at the  $V_{dIVV}$  voltage levels.
  3. Defined over the DQ internal  $V_{REF}$  range. The Rx mask at the pin must be within the internal  $V_{REF(DQ)}$  range irrespective of the input signal common mode.
  4. Rx mask defined for one pin toggling with other DQ signals in a steady state.
  5. DQ-only minimum input pulse width defined at the  $V_{CENT\_DQ(pin\_mid)}$ .
  6. DQ-to-DQS offset is within byte from DRAM pin to DRAM internal latch. Includes all DRAM process, voltage, and temperature variations.
  7. DQ-to-DQ offset defined within byte from DRAM pin to DRAM internal latch for a given component.
  8.  $t_{DQS2DQ(MAX)}$  delay variation as a function of temperature.
  9.  $t_{DQS2DQ(MAX)}$  delay variation as a function of the DC voltage variation for  $V_{DDQ}$  and  $V_{DD2}$ . It includes the  $V_{DDQ}$  and  $V_{DD2}$  AC noise impact for frequencies >20 MHz and MAX voltage of 45mV peak-to-peak from DC-20 MHz at a fixed temperature on the package.
  10. The same voltage and temperature are applied to  $t_{DQS2DQ\_rank2rank}$ .
  11.  $t_{DQS2DQ\_rank2rank}$  parameter is applied to multi-ranks per byte lane within a package consisting of the same design die.

**Table 228: CKE Input Timing**

Parameter	Symbol	Min/ Max	Data Rate				Unit	Notes
			1600	3200	3733	4267		
CKE minimum pulse width (HIGH and LOW pulse width)	$t_{CKE}$	Min	MAX(7.5ns, 4nCK)				ns	1
Delay from valid command to CKE input LOW	$t_{CMDCKE}$	Min	MAX(1.75ns, 3nCK)				ns	1
Valid clock requirement after CKE input LOW	$t_{CKELCK}$	Min	MAX(5ns, 5nCK)				ns	1
Valid CS requirement before CKE input LOW	$t_{CSCKE}$	Min	1.75				ns	
Valid CS requirement after CKE input LOW	$t_{CKELCS}$	Min	MAX(5ns, 5nCK)				ns	1
Valid Clock requirement before CKE Input HIGH	$t_{CKCKEH}$	Min	MAX(1.75ns, 3nCK)				ns	1
Exit power-down to next valid command delay	$t_{XP}$	Min	MAX(7.5ns, 5nCK)				ns	1
Valid CS requirement before CKE input HIGH	$t_{CSCKEH}$	Min	1.75				ns	



149-Ball NAND Flash with LPDDR4/LPDDR4X MCP  
AC Timing

Table 228: CKE Input Timing (Continued)

Parameter	Symbol	Min/Max	Data Rate				Unit	Notes
			1600	3200	3733	4267		
Valid CS requirement after CKE input HIGH	$t_{CKEHCS}$	Min	MAX(7.5ns, 5nCK)				ns	1
Valid clock and CS requirement after CKE input LOW after MRW command	$t_{MRWCKEL}$	Min	MAX(14ns, 10nCK)				ns	1
Valid clock and CS requirement after CKE input LOW after ZQCAL START command	$t_{ZQCKE}$	Min	MAX(1.75ns, 3nCK)				ns	1

Note: 1. Delay time has to satisfy both analog time(ns) and clock count (nCK). For example,  $t_{CMDCKE}$  will not expire until CK has toggled through at least 3 full cycles (3 $t_{CK}$ ) and 3.75ns has transpired. The case that 3nCK is applied to is shown below.

Figure 235:  $t_{CMDCKE}$  Timing

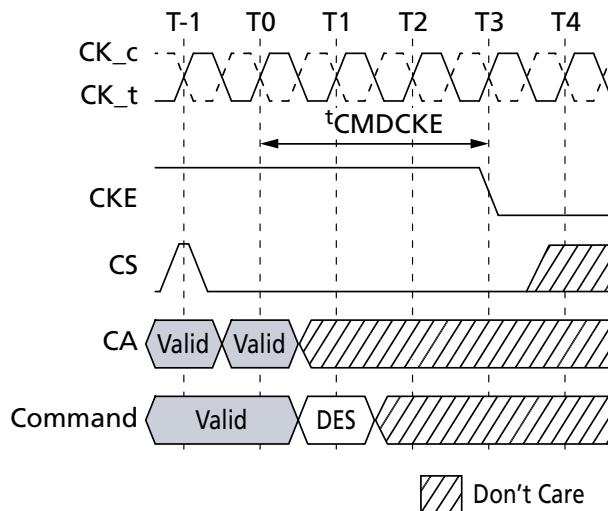


Table 229: Command Address Input Timing

Parameter	Symbol	Min/Max	Data Rate								Unit	Notes
			533	1066	1600	2133	2667	3200	3733	4267		
Command/address valid window (referenced from CA $V_{IL}/V_{IH}$ to CK $V_{IX}$ )	$t_{cIVW}$	Min	0.3								$t_{CK(AVG)}$	1, 2, 3
Address and control input pulse width (referenced to $V_{REF}$ )	$t_{cIPW}$	Min	0.55	0.55	0.55	0.6	0.6	0.6	0.6	0.6	$t_{CK(AVG)}$	4

Notes: 1. CA Rx mask timing parameters at the pin including voltage and temperature drift.  
2. Rx differential CA to CK jitter total timing window at the  $V_{cIVW}$  voltage levels.



## 149-Ball NAND Flash with LPDDR4/LPDDR4X MCP AC Timing

3. Defined over the CA internal  $V_{REF}$  range. The Rx mask at the pin must be within the internal  $V_{REF(CA)}$  range irrespective of the input signal common mode.
4. CA only minimum input pulse width defined at the  $V_{CENT\_CA}$  (pin mid).

**Table 230: Boot Timing Parameters (10–55 MHz)**

Parameter	Symbol	Min/ Max	Value	Unit
		Max	100	
DQS output data access time from CK	$t_{DQSCKb}$	Min	1.0	ns
		Max	10.0	
DQS edge to output data edge	$t_{DQSqb}$	Max	1.2	ns

**Table 231: Mode Register Timing Parameters**

Parameter	Symbol	Min/ Max	Data Rate				Unit
			1600	3200	3733	4267	
MODE REGISTER WRITE (MRW) command period	$t_{MRW}$	Min	MAX(10ns, 10nCK)				ns
MODE REGISTER SET command delay	$t_{MRD}$	Min	MAX(14ns, 10nCK)				ns
MODE REGISTER READ (MRR) command period	$t_{MRR}$	Min	8				$t_{CK(AVG)}$
Additional time after $t_{XP}$ has expired until the MRR command may be issued	$t_{MRRI}$	Min	$t_{RCD(MIN)} + 3nCK$				ns
Delay from MRW command to DQS driven out	$t_{SDO}$	Max	MAX(12nCK, 20ns)				ns

**Table 232: Core Timing Parameters**

Refresh rate is determined by the value in MR4 OP[2:0]

Parameter	Symbol	Min/ Max	Data Rate								Unit	Notes
			533	1066	1600	2133	2667	3200	3733	4267		
READ latency (DBI disabled)	RL-A	Min	6	10	14	20	24	28	32	36	$t_{CK(AVG)}$	
READ latency (DBI enabled)	RL-B	Min	6	12	16	22	28	32	36	40	$t_{CK(AVG)}$	
WRITE latency (Set A)	WL-A	Min	4	6	8	10	12	14	16	18	$t_{CK(AVG)}$	
WRITE latency (Set B)	WL-B	Min	4	8	12	18	22	26	30	34	$t_{CK(AVG)}$	



## 149-Ball NAND Flash with LPDDR4/LPDDR4X MCP AC Timing

**Table 232: Core Timing Parameters (Continued)**

Refresh rate is determined by the value in MR4 OP[2:0]

Parameter	Symbol	Min/ Max	Data Rate							Unit	Notes
			533	1066	1600	2133	2667	3200	3733		
ACTIVATE-to-ACTIVATE command period (same bank)	$t_{RC}$	Min	$t_{RAS} + t_{RPab}$ (with all-bank precharge) $t_{RAS} + t_{RPpb}$ (with per-bank precharge)							ns	
Minimum self refresh time (entry to exit)	$t_{SR}$	Min	MAX(15ns, 3nCK)							ns	
Self refresh exit to next valid command delay	$t_{XSR}$	Min	MAX( $t_{RFCab} + 7.5ns$ , 2nCK)							ns	
CAS-to-CAS delay	$t_{CCD}$	Min	8							$t_{CK(AVG)}$	
CAS-to-CAS delay masked write	$t_{CCDMW}$	Min	32							$t_{CK(AVG)}$	
Internal READ-to-PRE-CHARGE command delay	$t_{RTP}$	Min	MAX(7.5ns, 8nCK)							ns	
RAS-to-CAS delay	$t_{RCD}$	Min	MAX(18ns, 4nCK)							ns	
Row precharge time (single bank)	$t_{RPpb}$	Min	MAX(18ns, 3nCK)							ns	
Row precharge time (all banks)	$t_{RPab}$	Min	MAX(21ns, 3nCK)							ns	
Row active time	$t_{RAS}$	Min	MAX(42ns, 3nCK)							ns	
		Max	MIN( $9 \times t_{REFI} \times \text{Refresh Rate}$ , 70.2)							$\mu s$	
Write recovery time	$t_{WR}$	Min	MAX(18ns, 4nCK)							ns	
Write-to-read delay	$t_{WTR}$	Min	MAX(10ns, 8nCK)							ns	
Active bank A to active bank B	$t_{RRD}$	Min	MAX(10ns, 4nCK)					MAX(7.5ns, 4nCK)		ns	1
Precharge-to-precharge delay	$t_{PPD}$	Min	4							$t_{CK(AVG)}$	2
Four-bank activate window	$t_{FAW}$	Min	40					30		ns	1
Delay from SRE command to CKE input LOW	$t_{ESCKE}$	Min	MAX(1.75ns, 3nCK)							–	3

- Notes:
- 4267 Mb/s timing value is supported at lower data rates if the device is supporting 4266 Mb/s speed grade.
  - Precharge to precharge timing restriction does not apply to AUTO PRECHARGE commands.
  - Delay time has to satisfy both analog time (ns) and clock count (nCK). It means that  $t_{ESCKE}$  will not expire until CK has toggled through at least three full cycles (3  $t_{CK}$ ) and 1.75ns has transpired. The case which 3nCK is applied to is shown below.



149-Ball NAND Flash with LPDDR4/LPDDR4X MCP  
AC Timing

Figure 236: t<sup>ESCKE</sup> Timing

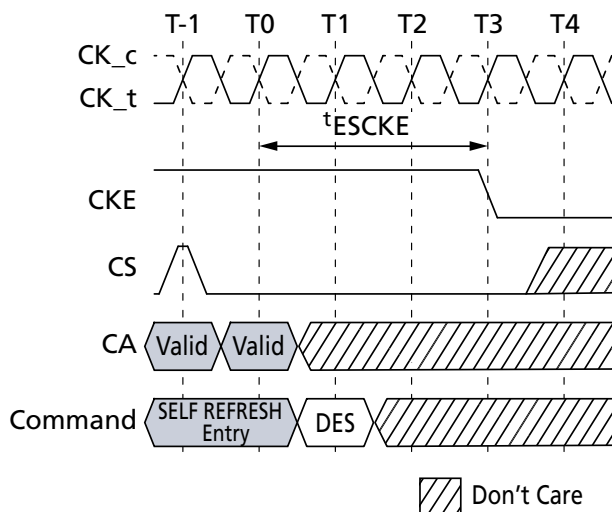


Table 233: CA Bus ODT Timing

Parameter	Symbol	Min/ Max	Data Rate
			533-4267
CA ODT value update time	t <sup>ODTUP</sup>	Min	RU(20ns/t <sup>CK(AVG)</sup> )

Table 234: CA Bus Training Parameters

Parameter	Symbol	Min/ Max	Data Rate				Unit	Notes
			1600	3200	3733	4267		
Valid clock requirement after CKE input LOW	t <sup>CKELCK</sup>	Min	MAX(5ns, 5nCK)				t <sup>CK</sup>	
Data setup for V <sub>REF</sub> training mode	t <sup>DStrain</sup>	Min	2				ns	
Data hold for V <sub>REF</sub> training mode	t <sup>DHtrain</sup>	Min	2				ns	
Asynchronous data read	t <sup>ADR</sup>	Max	20				ns	
CA BUS TRAINING command-to-command delay	t <sup>CACD</sup>	Min	RU(t <sup>ADR</sup> /t <sup>CK</sup> )				t <sup>CK</sup>	1
Valid strobe requirement before CKE LOW	t <sup>DQSCKE</sup>	Min	10				ns	
First CA BUS TRAINING command following CKE LOW	t <sup>CAENT</sup>	Min	250				ns	
V <sub>REF</sub> step time – multiple steps	t <sup>VREFca_LONG</sup>	Max	250				ns	
V <sub>REF</sub> step time – one step	t <sup>VREFca_SHORT</sup>	Max	80				ns	
Valid clock requirement before CS HIGH	t <sup>CKPRECS</sup>	Min	2t <sup>CK</sup> + t <sup>XP</sup>				–	
Valid clock requirement after CS HIGH	t <sup>CKPSTCS</sup>	Min	MAX(7.5ns, 5nCK)				–	



## 149-Ball NAND Flash with LPDDR4/LPDDR4X MCP AC Timing

**Table 234: CA Bus Training Parameters (Continued)**

Parameter	Symbol	Min/ Max	Data Rate				Unit	Notes
			1600	3200	3733	4267		
Minimum delay from CS to DQS toggle in command bus training	$t_{CS\_VREF}$	Min	2				$t_{CK}$	
Minimum delay from CKE HIGH to strobe High-Z	$t_{CKEHDQS}$	Min	10				ns	
CA bus training CKE HIGH to DQ tri-state	$t_{MRZ}$	Min	1.5				ns	
ODT turn-on latency from CKE	$t_{CKELODTon}$	Min	20				ns	
ODT turn-off latency from CKE	$t_{CKEHODToff}$	Min	20				ns	
Exit command bus training mode to next valid command delay	$t_{XCBT\_Short}$	Min	MAX(200ns, 5nCK)				–	2
	$t_{XCBT\_Middle}$	Min	MAX(200ns, 5nCK)				–	2
	$t_{XCBT\_Long}$	Min	MAX(250ns, 5nCK)				–	2

- Notes:
1. If  $t_{CACD}$  is violated, the data for samples which violate  $t_{CACD}$  will not be available, except for the last sample (where  $t_{CACD}$  after this sample is met). Valid data for the last sample will be available after  $t_{ADR}$ .
  2. Exit command bus training mode to next valid command delay time depends on value of  $V_{REF(CA)}$  setting: MR12 OP[5:0] and  $V_{REF(CA)}$  range: MR12 OP[6] of FSP-OP 0 and 1. The details are shown in  $t_{FC}$  value mapping table. Additionally exit command bus training mode to next valid command delay time may affect  $V_{REF(DQ)}$  setting. Settling time of  $V_{REF(DQ)}$  level is same as  $V_{REF(CA)}$  level.

**Table 235: Asynchronous ODT Turn On and Turn Off Timing**

Symbol	800–2133 MHz	Unit
$t_{ODTon(MIN)}$	1.5	ns
$t_{ODTon(MAX)}$	3.5	ns
$t_{ODToff(MIN)}$	1.5	ns
$t_{ODToff(MAX)}$	3.5	ns

**Table 236: Temperature Derating Parameters**

Parameter	Symbol	Min/ Max	Data Rate				Unit
			1600	3200	3733	4267	
DQS output access time from CK_t/CK_c (derated)	$t_{DQSCKd}$	Max	3600				ps
RAS-to-CAS delay (derated)	$t_{RCd}$	Min	$t_{RCD} + 1.875$				ns
ACTIVATE-to-ACTIVATE command period (same bank, derated)	$t_{RCd}$	Min	$t_{RC} + 3.75$				ns
Row active time (derated)	$t_{RASd}$	Min	$t_{RAS} + 1.875$				ns
Row precharge time (derated)	$t_{RPd}$	Min	$t_{RP} + 1.875$				ns





## 149-Ball NAND Flash with LPDDR4/LPDDR4X MCP AC Timing

**Table 236: Temperature Derating Parameters (Continued)**

Parameter	Symbol	Min/ Max	Data Rate				Unit
			1600	3200	3733	4267	
Active bank A to active bank B (derated)	$t_{RRDd}$	Min	$t_{RRD} + 1.875$				ns

Note: 1. At higher temperatures (>85°C), AC timing derating may be required. If derating is required the device will set MR4 OP[2:0] = 110b.

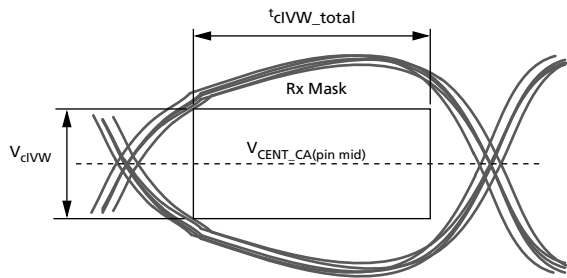


## CA Rx Voltage and Timing

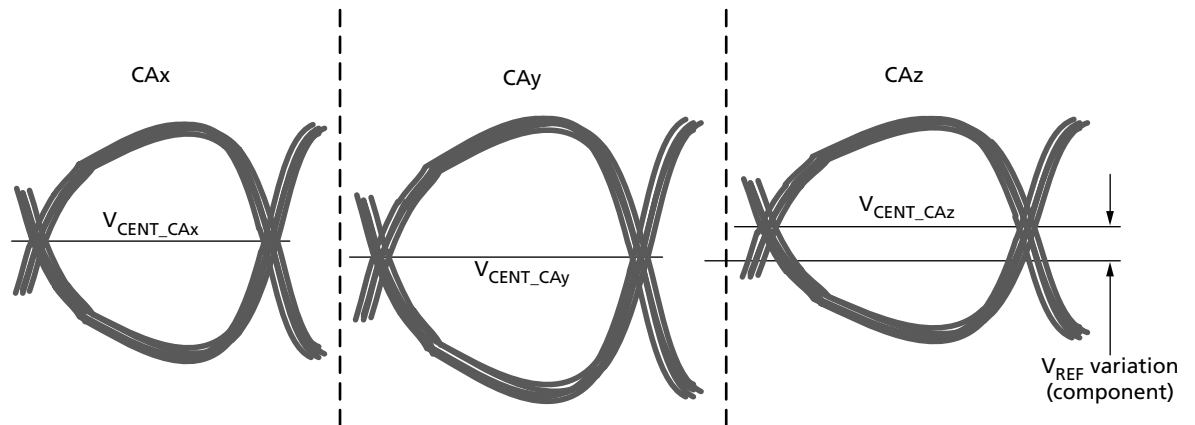
The command and address (CA), including CS input receiver compliance mask for voltage and timing, is shown in the CA Receiver (Rx) Mask figure below. All CA and CS signals apply the same compliance mask and operate in single data rate mode.

The CA input Rx mask for voltage and timing is applied across all pins, as shown in the figure below. The Rx mask defines the area that the input signal must not encroach if the DRAM input receiver is expected to successfully capture a valid input signal; it is not the valid data eye.

**Figure 237: CA Receiver (Rx) Mask**



**Figure 238: Across Pin  $V_{REF}$  (CA) Voltage Variation**

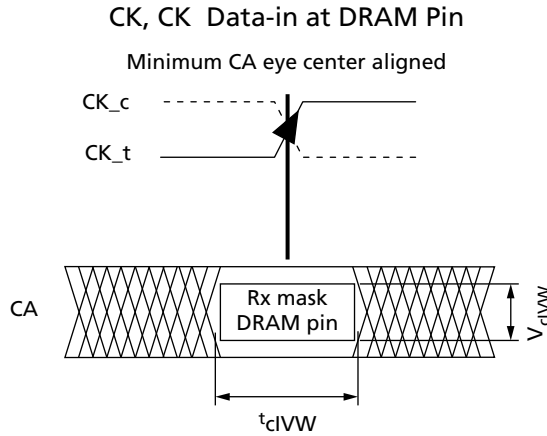


$V_{CENT\_CA(pin\ mid)}$  is defined as the midpoint between the largest  $V_{CENT\_CA}$  voltage level and the smallest  $V_{CENT\_CA}$  voltage level across all CA and CS pins for a given DRAM component. Each CA  $V_{CENT}$  level is defined by the center, which is, the widest opening of the cumulative data input eye, as depicted in the figure above. This clarifies that any DRAM component level variation must be accounted for within the CA Rx mask. The component-level  $V_{REF}$  will be set by the system to account for  $R_{ON}$  and ODT settings.



# 149-Ball NAND Flash with LPDDR4/LPDDR4X MCP CA Rx Voltage and Timing

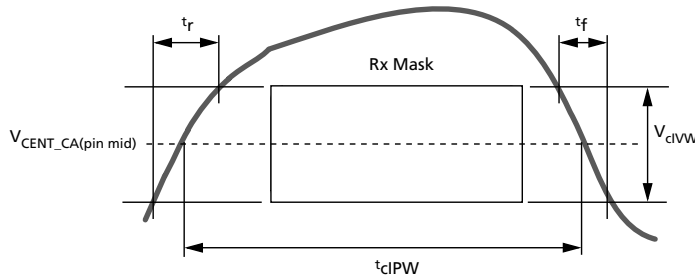
**Figure 239: CA Timings at the DRAM Pins**



TcIVW for all CA signals is defined as centered on the CK\_t/CK\_c crossing at the DRAM pin.

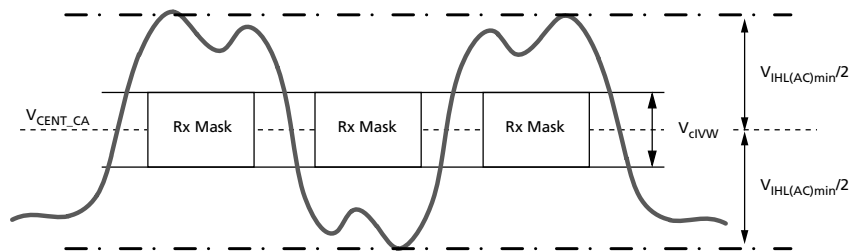
Note: 1. All of the timing terms in above figure are measured from the CK\_t/CK\_c to the center (midpoint) of the TcIVW window taken at the VcIVW\_total voltage levels centered around V<sub>CENT\_CA(pin mid)</sub>.

**Figure 240: CA t<sub>cIPW</sub> and SRIN\_cIVW Definition (for Each Input Pulse)**



Note: 1. SRIN\_cIVW = V<sub>dIVW\_total</sub> / (t<sub>r</sub> or t<sub>f</sub>); signal must be monotonic within t<sub>r</sub> and t<sub>f</sub> range.

**Figure 241: CA V<sub>IHL\_AC</sub> Definition (for Each Input Pulse)**





## 149-Ball NAND Flash with LPDDR4/LPDDR4X MCP CA Rx Voltage and Timing

**Table 237: DRAM CMD/ADR, CS**
 $UI = t_{CK(AVG)MIN}$ 

Symbol	Parameter	DQ – 1333 <sup>7</sup>		DQ – 1600/1867		DQ – 3200/3733		DQ – 4267		Unit	Notes
		Min	Max	Min	Max	Min	Max	Min	Max		
$V_{cIVW}$	Rx mask voltage peak-to-peak	–	175	–	175	–	155	–	145	mV	1, 2, 3
$V_{IHL(AC)}$	CA AC input pulse amplitude peak-to-peak	210	–	210	–	190	–	180	–	mV	4, 6
SRIN_cIVW	Input slew rate over $V_{cIVW}$	1	7	1	7	1	7	1	7	V/ns	5

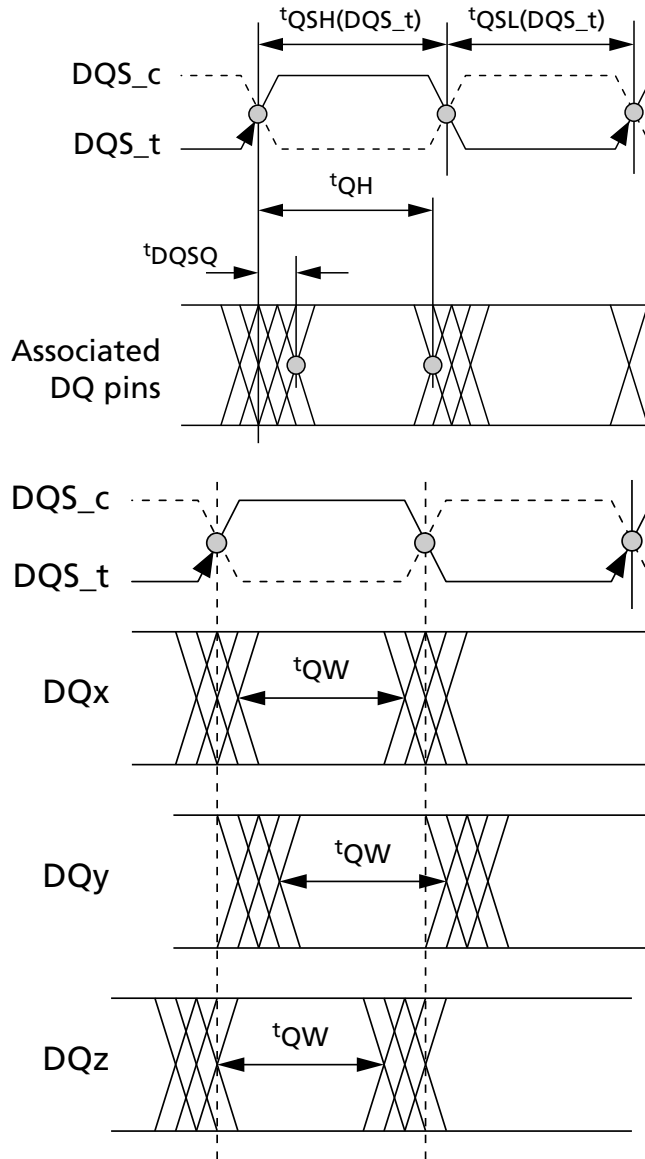
- Notes:
1. CA Rx mask voltage and timing parameters at the pin, including voltage and temperature drift.
  2. Rx mask voltage  $V_{cIVW}$  total(MAX) must be centered around  $V_{CENT\_CA(pin\ mid)}$ .
  3. Defined over the CA internal  $V_{REF}$  range. The Rx mask at the pin must be within the internal  $V_{REF(CA)}$  range irrespective of the input signal common mode.
  4. CA-only input pulse signal amplitude into the receiver must meet or exceed  $V_{IHL(AC)}$  at any point over the total UI. No timing requirement above level.  $V_{IHL(AC)}$  is the peak-to-peak voltage centered around  $V_{CENT\_CA(pin\ mid)}$ , such that  $V_{IHL(AC)}/2$  (MIN) must be met both above and below  $V_{CENT\_CA}$ .
  5. Input slew rate over  $V_{cIVW}$  mask is centered at  $V_{CENT\_CA(pin\ mid)}$ .
  6.  $V_{IHL(AC)}$  does not have to be met when no transitions are occurring.
  7. The Rx voltage and absolute timing requirements apply for DQ operating frequencies at or below 1333 for all speed bins. For example the  $t_{cIVW}$  (ps) = 450ps at or below 1333 operating frequencies.



## DQ Tx Voltage and Timing

### DRAM Data Timing

Figure 242: Read Data Timing Definitions –  $t_{QH}$  and  $t_{DQSQ}$  Across DQ Signals per DQS Group





## DQ Rx Voltage and Timing

The DQ input receiver mask for voltage and timing is applied per pin, as shown in the DQ Receiver (Rx) Mask figure below. The total mask ( $V_{dIVW\_total}$ ,  $TdIVW\_total$ ) defines the area that the input signal must not encroach in order for the DQ input receiver to successfully capture an input signal. The mask is a receiver property, and it is not the valid data eye.

Figure 243: DQ Receiver (Rx) Mask

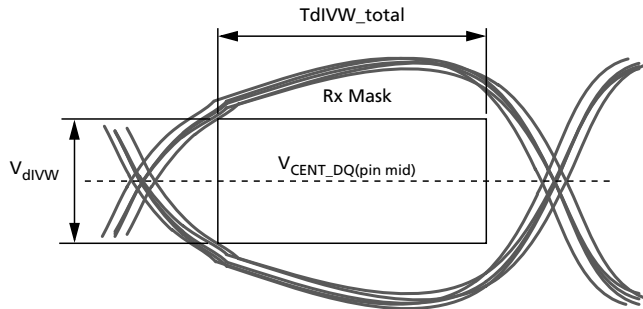
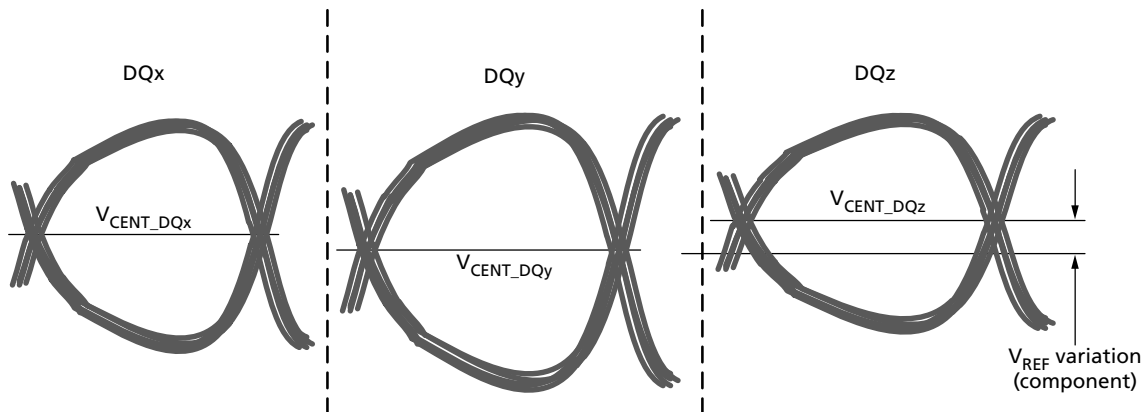


Figure 244: Across Pin  $V_{REF}$  DQ Voltage Variation

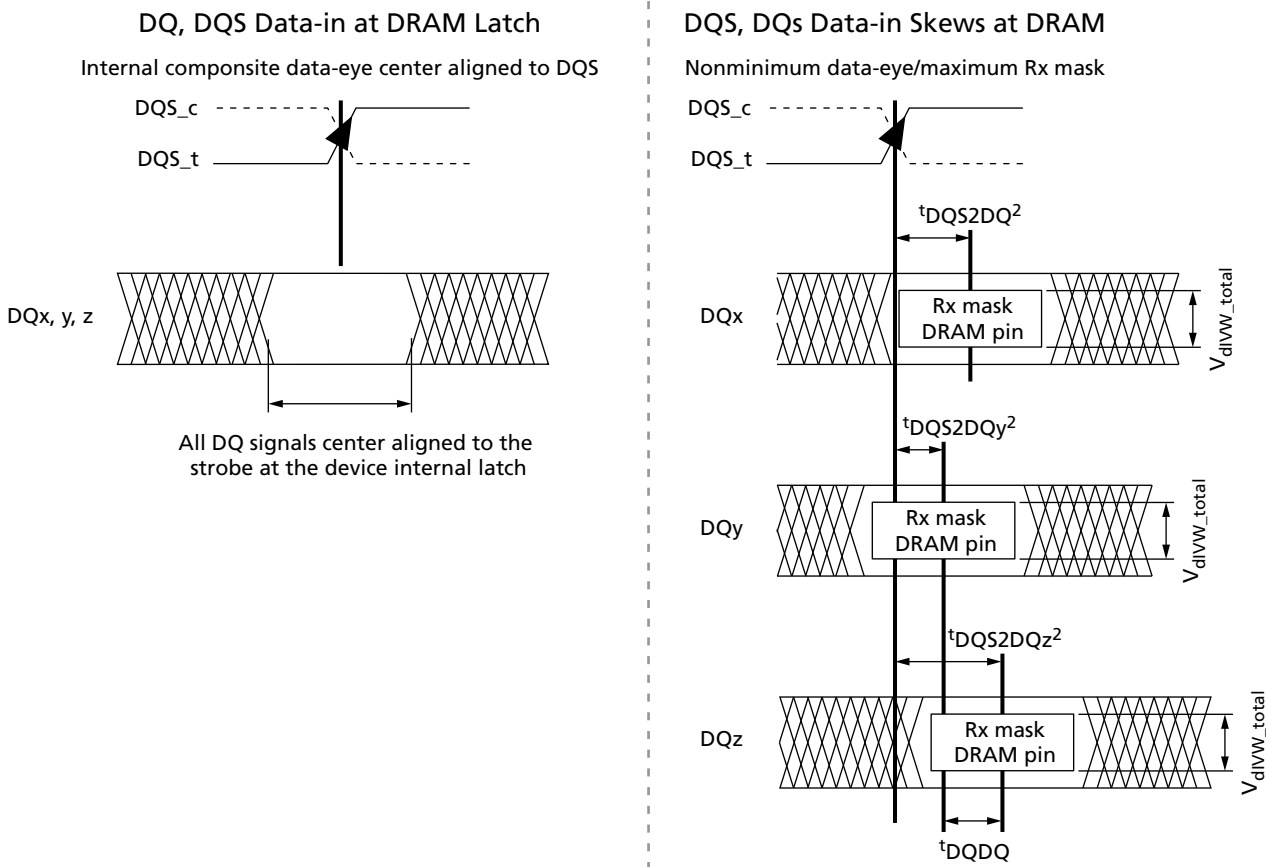


$V_{CENT\_DQ(pin\_mid)}$  is defined as the midpoint between the largest  $V_{CENT\_DQ}$  voltage level and the smallest  $V_{CENT\_DQ}$  voltage level across all DQ pins for a given DRAM component. Each  $V_{CENT\_DQ}$  is defined by the center, which is the widest opening of the cumulative data input eye as shown in the figure above. This clarifies that any DRAM component level variation must be accounted for within the DRAM Rx mask. The component-level  $V_{REF}$  will be set by the system to account for  $R_{ON}$  and ODT settings.



# 149-Ball NAND Flash with LPDDR4/LPDDR4X MCP DQ Rx Voltage and Timing

**Figure 245: DQ-to-DQS  $t_{DQS2DQ}$  and  $t_{DQDQ}$**



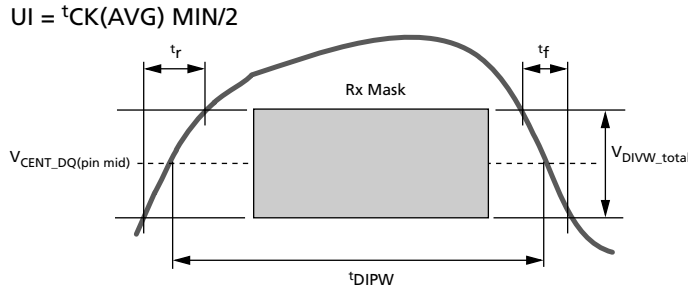
- Notes:
1. These timings at the DRAM pins are referenced from the internal latch.
  2.  $t_{DQS2DQ}$  is measured at the center (midpoint) of the TdIVW window.
  3. DQz represents the MAX  $t_{DQS2DQ}$  in this example.
  4. DQy represents the MIN  $t_{DQS2DQ}$  in this example.

All of the timing terms in DQ to DQS<sub>t</sub> are measured from the DQS<sub>t</sub>/DQS<sub>c</sub> to the center (midpoint) of the TdIVW window taken at the  $V_{dIVW\_total}$  voltage levels centered around  $V_{CENT\_DQ(pin\_mid)}$ . In figure above, the timings at the pins are referenced with respect to all DQ signals center-aligned to the DRAM internal latch. The data-to-data offset is defined as the difference between the MIN and MAX  $t_{DQS2DQ}$  for a given component.



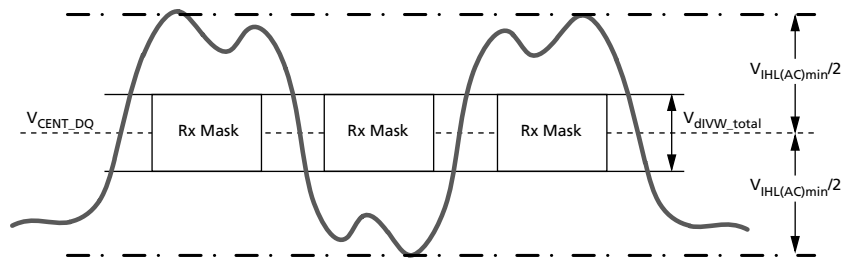
# 149-Ball NAND Flash with LPDDR4/LPDDR4X MCP DQ Rx Voltage and Timing

**Figure 246: DQ  $t_{DIPW}$  and SRIN\_divW Definition for Each Input Pulse**



Note: 1.  $SRIN\_divW = V_{dIVW\_total} / (t_r \text{ or } t_f)$  signal must be monotonic within  $t_r$  and  $t_f$  range.

**Figure 247: DQ  $V_{IHL(AC)}$  Definition (for Each Input Pulse)**



**Table 238: DQs In Receive Mode**

Note UI =  $t_{CK(AVG)}(MIN)/2$

Symbol	Parameter	1600/1867		2133/2400		3200/3733		4267		Unit	Notes
		Min	Max	Min	Max	Min	Max	Min	Max		
$V_{dIVW\_total}$	Rx mask voltage – peak-to-peak	–	140	–	140	–	140	–	120	mV	1, 2, 3
$V_{IHL(AC)}$	DQ AC input pulse amplitude peak-to-peak	180	–	180	–	180	–	170	–	mV	5, 7
SRIN_divW	Input slew rate over $V_{dIVW\_total}$	1	7	1	7	1	7	1	7	V/ns	6

- Notes:
1. Data Rx mask voltage and timing parameters are applied per pin and include the DRAM DQ-to-DQS voltage AC noise impact for frequencies >20 MHz with a maximum voltage of 45mV peak-to-peak at a fixed temperature on the package. The voltage supply noise must comply to the component MIN/MAX DC operating conditions.
  2. Rx mask voltage  $V_{dIVW\_total}(MAX)$  must be centered around  $V_{CENT\_DQ(pin\_mid)}$ .
  3. Defined over the DQ internal  $V_{REF}$  range. The Rx mask at the pin must be within the internal  $V_{REF}$  DQ range irrespective of the input signal common mode.
  4. Deterministic component of the total Rx mask voltage or timing. Parameter will be characterized and guaranteed by design.
  5. DQ-only input pulse amplitude into the receiver must meet or exceed  $V_{IHL(AC)}$  at any point over the total UI. No timing requirement above level.  $V_{IHL(AC)}$  is the peak-to-peak voltage centered around  $V_{CENT\_DQ(pin\_mid)}$ , such that  $V_{IHL(AC)}/2$  (MIN) must be met both above and below  $V_{CENT\_DQ}$ .
  6. Input slew rate over  $V_{dIVW}$  mask centered at  $V_{CENT\_DQ(pin\_mid)}$ .





7.  $V_{IHL(AC)}$  does not have to be met when no transitions are occurring.

## Clock Specification

The specified clock jitter is a random jitter with Gaussian distribution. Input clocks violating minimum or maximum values may result in device malfunction.

**Table 239: Definitions and Calculations**

Symbol	Description	Calculation	Notes
$t_{CK(avg)}$ and $n_{CK}$	<p>The average clock period across any consecutive 200-cycle window. Each clock period is calculated from rising clock edge to rising clock edge.</p> <p>Unit <math>t_{CK(avg)}</math> represents the actual clock average <math>t_{CK(avg)}</math> of the input clock under operation. Unit <math>n_{CK}</math> represents one clock cycle of the input clock, counting from actual clock edge to actual clock edge.</p> <p><math>t_{CK(avg)}</math> can change no more than <math>\pm 1\%</math> within a 100-clock-cycle window, provided that all jitter and timing specifications are met.</p>	$t_{CK(avg)} = \left( \sum_{j=1}^N t_{CK_j} \right) / N$ <p>Where <math>N = 200</math></p>	
$t_{CK(abs)}$	The absolute clock period, as measured from one rising clock edge to the next consecutive rising clock edge.		1
$t_{CH(avg)}$	The average HIGH pulse width, as calculated across any 200 consecutive HIGH pulses.	$t_{CH(avg)} = \left( \sum_{j=1}^N t_{CH_j} \right) / (N \times t_{CK(avg)})$ <p>Where <math>N = 200</math></p>	
$t_{CL(avg)}$	The average LOW pulse width, as calculated across any 200 consecutive LOW pulses.	$t_{CL(avg)} = \left( \sum_{j=1}^N t_{CL_j} \right) / (N \times t_{CK(avg)})$ <p>Where <math>N = 200</math></p>	
$t_{JIT(per)}$	The single-period jitter defined as the largest deviation of any signal $t_{CK}$ from $t_{CK(avg)}$ .	$t_{JIT(per)} = \min/\max \text{ of } \left( t_{CK_i} - t_{CK(avg)} \right)$ <p>Where <math>i = 1</math> to 200</p>	1
$t_{JIT(per),act}$	The actual clock jitter for a given system.		
$t_{JIT(per),allowed}$	The specified clock period jitter allowance.		
$t_{JIT(cc)}$	The absolute difference in clock periods between two consecutive clock cycles. $t_{JIT(cc)}$ defines the cycle-to-cycle jitter.	$t_{JIT(cc)} = \max \text{ of } \left( t_{CK_{i+1}} - t_{CK_i} \right)$	1
$t_{ERR(nper)}$	The cumulative error across $n$ multiple consecutive cycles from $t_{CK(avg)}$ .	$t_{ERR(nper)} = \left( \sum_{j=i}^{i+n-1} t_{CK_j} \right) - (n \times t_{CK(avg)})$	1
$t_{ERR(nper),act}$	The actual clock jitter over $n$ cycles for a given system.		


**Table 239: Definitions and Calculations (Continued)**

Symbol	Description	Calculation	Notes
$t_{ERR(nper), allowed}$	The specified clock jitter allowance over $n$ cycles.		
$t_{ERR(nper), min}$	The minimum $t_{ERR(nper)}$ .	$t_{ERR(nper), min} = (1 + 0.68LN(n)) \times t_{JIT(per), min}$	2
$t_{ERR(nper), max}$	The maximum $t_{ERR(nper)}$ .	$t_{ERR(nper), max} = (1 + 0.68LN(n)) \times t_{JIT(per), max}$	2
$t_{JIT(duty)}$	Defined with absolute and average specifications for $t_{CH}$ and $t_{CL}$ , respectively.	$t_{JIT(duty), min} =$ $\text{MIN}((t_{CH( abs), min} - t_{CH( avg), min}),$ $(t_{CL( abs), min} - t_{CL( avg), min})) \times t_{CK( avg)}$  $t_{JIT(duty), max} =$ $\text{MAX}((t_{CH( abs), max} - t_{CH( avg), max}),$ $(t_{CL( abs), max} - t_{CL( avg), max})) \times t_{CK( avg)}$	

- Notes: 1. Not subject to production testing.  
2. Using these equations,  $t_{ERR(nper)}$  tables can be generated for each  $t_{JIT(per), act}$  value.

### $t_{CK( abs)}$ , $t_{CH( abs)}$ , and $t_{CL( abs)}$

These parameters are specified with their average values; however, the relationship between the average timing and the absolute instantaneous timing (defined in the following table) is applicable at all times.

**Table 240:  $t_{CK( abs)}$ ,  $t_{CH( abs)}$ , and  $t_{CL( abs)}$  Definitions**

Parameter	Symbol	Minimum	Unit
Absolute clock period	$t_{CK( abs)}$	$t_{CK( avg), min} + t_{JIT( per), min}$	ps <sup>1</sup>
Absolute clock HIGH pulse width	$t_{CH( abs)}$	$t_{CH( avg), min} + t_{JIT( duty), min}^2 / t_{CK( avg), min}$	$t_{CK( avg)}$
Absolute clock LOW pulse width	$t_{CL( abs)}$	$t_{CL( avg), min} + t_{JIT( duty), min}^2 / t_{CK( avg), min}$	$t_{CK( avg)}$

- Notes: 1.  $t_{CK( avg), min}$  is expressed in ps for this table.  
2.  $t_{JIT( duty), min}$  is a negative value.

## Clock Period Jitter

LPDDR4 devices can tolerate some clock period jitter without core timing parameter derating. This section describes device timing requirements with clock period jitter ( $t_{JIT( per)}$ ) in excess of the values found in the AC Timing table. Calculating cycle time derating and clock cycle derating are also described.

### Clock Period Jitter Effects on Core Timing Parameters

Core timing parameters ( $t_{RCD}$ ,  $t_{RP}$ ,  $t_{RTP}$ ,  $t_{WR}$ ,  $t_{WRA}$ ,  $t_{WTR}$ ,  $t_{RC}$ ,  $t_{RAS}$ ,  $t_{RRD}$ ,  $t_{FAW}$ ) extend across multiple clock cycles. Clock period jitter impacts these parameters when measured in numbers of clock cycles. Within the specification limits, the device is characterized and verified to support  $t_{nPARAM} = RU[t_{PARAM} / t_{CK( avg)}]$ . During device operation where clock jitter is outside specification limits, the number of clocks, or  $t_{CK( avg)}$ , may need to be increased based on the values for each core timing parameter.



## Cycle Time Derating for Core Timing Parameters

For a given number of clocks ( $t_{nPARAM}$ ), when  $t_{CK(avg)}$  and  $t_{ERR}(t_{nPARAM},act)$  exceed  $t_{ERR}(t_{nPARAM},allowed)$ , cycle time derating may be required for core timing parameters.

$$\text{CycleTimeDerating} = \max\left\{\left\{\frac{t_{PARAM} + t_{ERR}(t_{nPARAM},act) - t_{ERR}(t_{nPARAM},allowed)}{t_{nPARAM}} - t_{CK(avg)}\right\}, 0\right\}$$

Cycle time derating analysis should be conducted for each core timing parameter. The amount of cycle time derating required is the maximum of the cycle time deratings determined for each individual core timing parameter.

## Clock Cycle Derating for Core Timing Parameters

For each core timing parameter and a given number of clocks ( $t_{nPARAM}$ ), clock cycle derating should be specified with  $t_{JIT(per)}$ .

For a given number of clocks ( $t_{nPARAM}$ ), when  $t_{CK(avg)}$  plus  $t_{ERR}(t_{nPARAM},act)$  exceed the supported cumulative  $t_{ERR}(t_{nPARAM},allowed)$ , derating is required. If the equation below results in a positive value for a core timing parameter ( $t_{CORE}$ ), the required clock cycle derating will be that positive value (in clocks).

$$\text{ClockCycleDerating} = \text{RU} \left\{ \frac{t_{PARAM} + t_{ERR}(t_{nPARAM},act) - t_{ERR}(t_{nPARAM},allowed)}{t_{CK(avg)}} \right\} - t_{nPARAM}$$

Cycle-time derating analysis should be conducted for each core timing parameter.

## Clock Jitter Effects on Command/Address Timing Parameters

Command/address timing parameters ( $t_{IS}$ ,  $t_{IH}$ ,  $t_{ISb}$ ,  $t_{IHb}$ ) are measured from a command/address signal (CS or CA[5:0]) transition edge to its respective clock signal ( $CK_t/CK_c$ ) crossing. The specification values are not affected by the  $t_{JIT(per)}$  applied, because the setup and hold times are relative to the clock signal crossing that latches the command/address. Regardless of clock jitter values, these values must be met.

## Clock Jitter Effects on READ Timing Parameters

### $t_{RPRE}$

When the device is operated with input clock jitter,  $t_{RPRE}$  must be derated by the  $t_{JIT(per),act,max}$  of the input clock that exceeds  $t_{JIT(per),allowed,max}$ . Output deratings are relative to the input clock:

$$t_{RPRE}(min,derated) = 0.9 - \left( \frac{t_{JIT(per),act,max} - t_{JIT(per),allowed,max}}{t_{CK(avg)}} \right)$$

For example, if the measured jitter into a LPDDR4 device has  $t_{CK(avg)} = 625ps$ ,  $t_{JIT(per),act,min} = -xx$ , and  $t_{JIT(per),act,max} = +xx$  ps, then  $t_{RPRE,min,derated} = 0.9 - (t_{JIT(per),act,max} - t_{JIT(per),allowed,max}) / t_{CK(avg)} = 0.9 - (xx - xx) / xx = yy$   $t_{CK(avg)}$ .


 **$t_{LZ}(DQ)$ ,  $t_{HZ}(DQ)$ ,  $t_{DQSCK}$ ,  $t_{LZ}(DQS)$ ,  $t_{HZ}(DQS)$** 

These parameters are measured from a specific clock edge to a data signal transition ( $DM_n$  or  $DQ_m$ , where:  $n = 0, 1$ ; and  $m = 0-15$ , and specified timings must be met with respect to that clock edge. Therefore, they are not affected by  $t_{JIT}(per)$ .

 **$t_{QSH}$ ,  $t_{QSL}$** 

These parameters are affected by duty cycle jitter, represented by  $t_{CH}(abs)min$  and  $t_{CL}(abs)min$ . These parameters determine the absolute data-valid window at the device pin. The absolute minimum data-valid window at the device pin =  $\text{MIN} \{ (t_{QSH}(abs)min - t_{DQSQmax}), (t_{QSL}(abs)min - t_{DQSQmax}) \}$ . This minimum data valid window must be met at the target frequency regardless of clock jitter.

 **$t_{RPST}$** 

$t_{RPST}$  is affected by duty cycle jitter, represented by  $t_{CL}(abs)$ . Therefore,  $t_{RPST}(abs)min$  can be specified by  $t_{CL}(abs)min$ .  $t_{RPST}(abs)min = t_{CL}(abs)min - 0.05 = t_{QSL}(abs)min$ .

**Clock Jitter Effects on WRITE Timing Parameters**
 **$t_{DS}$ ,  $t_{DH}$** 

These parameters are measured from a data signal ( $DM_n$  or  $DQ_m$ , where  $n = 0, 1$  and  $m = 0-15$ ) transition edge to its respective data strobe signal ( $DQSn_t$ ,  $DQSn_c$ ;  $n = 0, 1$ ) crossing. The specification values are not affected by the amount of  $t_{JIT}(per)$  applied, because the setup and hold times are relative to the data strobe signal crossing that latches the command/address. Regardless of clock jitter values, these values must be met.

 **$t_{DSS}$ ,  $t_{DSH}$** 

These parameters are measured from a data signal ( $DQSn_t$ ,  $DQSn_c$ ) crossing to its respective clock signal ( $CK_t$ ,  $CK_c$ ) crossing. When the device is operated with input clock jitter, this parameter needs to be derated by the actual  $t_{JIT}(per)act$  of the input clock in excess of the allowed period jitter  $t_{JIT}(per)allowed$ .

 **$t_{DQSS}$** 

$t_{DQSS}$  is measured from a data strobe signal ( $DQSn_t$ ,  $DQSn_c$ ) crossing to its respective clock signal ( $CK_t$ ,  $CK_c$ ) crossing. When the device is operated with input clock jitter, this parameter must be derated by the actual  $t_{JIT}(per)act$  of the input clock in excess of  $t_{JIT}(per)allowed$ .

$$t_{DQSS}(min,derated) = 0.75 - \left( \frac{t_{JIT}(per),act,min - t_{JIT}(per),allowed,min}{t_{CK}(avg)} \right)$$

$$t_{DQSS}(max,derated) = 1.25 - \left( \frac{t_{JIT}(per),act,max - t_{JIT}(per),allowed,max}{t_{CK}(avg)} \right)$$

For example, if the measured jitter into an LPDDR4 device has  $t_{CK}(avg) = 625ps$ ,  $t_{JIT}(per),act,min = -xxps$ , and  $t_{JIT}(per),act,max = +xxps$ , then:

$$t_{DQSS}(min,derated) = 0.75 - (-xx + yy)/625 = xxxx t_{CK}(avg)$$

$$t_{DQSS}(max,derated) = 1.25 - (xx - yy)/625 = xxxx t_{CK}(avg)$$



## LPDDR4 1.10V V<sub>DDQ</sub>

This section defines LPDDR4 specifications to enable 1.10V<sub>DDQ</sub> operation of LPDDR4 devices.

### Power-Up and Initialization - LPDDR4

To ensure proper functionality for power-up and reset initialization, default values for the MR settings are provided in the table below.

**Table 241: Mode Register Default Settings**

Item	Mode Register Setting	Default Setting	Description
FSP-OP/WR	MR13 OP[7:6]	00b	FSP-OP/WR[0] are enabled
WLS	MR2 OP[6]	0b	WRITE latency set A is selected
WL	MR2 OP[5:3]	000b	WL = 4
RL	MR2 OP[2:0]	000b	RL = 6, nRTP = 8
nWR	MR1 OP[6:4]	000b	nWR = 6
DBI-WR/RD	MR3 OP[7:6]	00b	Write and read DBI are disabled
CA ODT	MR11 OP[6:4]	000b	CA ODT is disabled
DQ ODT	MR11 OP[2:0]	000b	DQ ODT is disabled
V <sub>REF(CA)</sub> setting	MR12 OP[6]	1b	V <sub>REF(CA)</sub> range[1] is enabled
V <sub>REF(CA)</sub> value	MR12 OP[5:0]	001101b	Range1: 27.2% of V <sub>DD2</sub>
V <sub>REF(DQ)</sub> setting	MR14 OP[6]	1b	V <sub>REF(DQ)</sub> range[1] enabled
V <sub>REF(DQ)</sub> value	MR14 OP[5:0]	001101b	Range1: 27.2% of V <sub>DDQ</sub>



## 149-Ball NAND Flash with LPDDR4/LPDDR4X MCP LPDDR4 1.10V V<sub>DDQ</sub>

### Mode Register Definition - LPDDR4

Mode register definitions are provided in the Mode Register Assignments table. In the access column of the table, R indicates read-only; W indicates write-only; R/W indicates read- or write-capable or enabled. The MRR command is used to read from a register. The MRW command is used to write to a register.

**Table 242: Mode Register Assignments**

Notes 1–5 apply to entire table

MR#	MA[5:0]	Function	Access	OP7	OP6	OP5	OP4	OP3	OP2	OP1	OP0	
0	00h	Device info	R	CATR	RFU	RFU	RZQI		RFU	Latency mode	REF	
1	01h	Device feature 1	W	RD-PST	nWR (for AP)			RD-PRE	WR-PRE	BL		
2	02h	Device feature 2	W	WR Lev	WLS	WL			RL			
3	03h	I/O config-1	W	DBI-WR	DBI-RD	PDDS			PPRP	WR-PST	PU-CAL	
4	04h	Refresh and training	R/W	TUF	Thermal offset		PPRE	SR abort	Refresh rate			
5	05h	Basic config-1	R	Manufacturer ID								
6	06h	Basic config-2	R	Revision ID1								
7	07h	Basic config-3	R	Revision ID2								
8	08h	Basic config-4	R	I/O width			Density			Type		
9	09h	Test mode	W	Vendor-specific test mode								
10	0Ah	I/O calibration	W	RFU							ZQ RST	
11	0Bh	ODT	W	RFU	CA ODT			RFU	DQ ODT			
12	0Ch	V <sub>REF(CA)</sub>	R/W	RFU	VR <sub>CA</sub>	V <sub>REF(CA)</sub>						
13	0Dh	Register control	W	FSP-OP	FSP-WR	DMD	RRO	VRCG	VRO	RPT	CBT	
14	0Eh	V <sub>REF(DQ)</sub>	R/W	RFU	VR <sub>DQ</sub>	V <sub>REF(DQ)</sub>						
15	0Fh	DQI-LB	W	Lower-byte invert register for DQ calibration								
16	10h	PASR_Bank	W	PASR bank mask								
17	11h	PASR_Seg	W	PASR segment mask								
18	12h	IT-LSB	R	DQS oscillator count – LSB								
19	13h	IT-MSB	R	DQS oscillator count – MSB								
20	14h	DQI-UB	W	Upper-byte invert register for DQ calibration								
21	15h	Vendor use	W	RFU								
22	16h	ODT feature 2	W	ODTD for x8_2ch		ODTD-CA	ODTE-CS	ODTE-CK	SoC ODT			
23	17h	DQS oscillator stop	W	DQS oscillator run-time setting								
24	18h	TRR control	R/W	TRR mode	TRR mode BAn			Unltd MAC	MAC value			
25	19h	PPR resources	R	B7	B6	B5	B4	B3	B2	B1	B0	
26–29	1Ah~1Dh	–	–	Reserved for future use								


**Table 242: Mode Register Assignments (Continued)**

Notes 1–5 apply to entire table

MR#	MA[5:0]	Function	Access	OP7	OP6	OP5	OP4	OP3	OP2	OP1	OP0
30	1Eh	Reserved for test	W	SDRAM will ignore							
31	1Fh	–	–	Reserved for future use							
32	20h	DQ calibration pattern A	W	See DQ calibration section							
33–38	21h≈26h	Do not use	–	Do not use							
39	27h	Reserved for test	W	SDRAM will ignore							
40	28h	DQ calibration pattern B	W	See DQ calibration section							
41–47	29h≈2Fh	Do not use	–	Do not use							
48–63	30h≈3Fh	Reserved	–	Reserved for future use							

- Notes:
1. RFU bits must be set to 0 during MRW commands.
  2. RFU bits are read as 0 during MRR commands.
  3. All mode registers that are specified as RFU or write-only shall return undefined data when read via an MRR command.
  4. RFU mode registers must not be written.
  5. Writes to read-only registers will not affect the functionality of the device.

**Table 243: MR0 Device Feature 0 (MA[5:0] = 00h)**

OP7	OP6	OP5	OP4	OP3	OP2	OP1	OP0
CATR	RFU		RZQI		RFU	Latency mode	REF

**Table 244: MR0 Op-Code Bit Definitions**

Register Information	Type	OP	Definition	Notes
Refresh mode	Read only	OP[0]	0b: Both legacy and modified refresh mode supported 1b: Only modified refresh mode supported	
Latency mode	Read only	OP[1]	0b: Device supports normal latency 1b: Device supports byte mode latency	5, 6
Built-in self-test for RZQ information	Read only	OP[4:3]	00b: RZQ self-test not supported 01b: ZQ may connect to V <sub>SSQ</sub> or float 10b: ZQ may short to V <sub>DDQ</sub> 11b: ZQ pin self-test completed, no error condition detected (ZQ may not connect to V <sub>SSQ</sub> , float, or short to V <sub>DDQ</sub> )	1–4



## 149-Ball NAND Flash with LPDDR4/LPDDR4X MCP LPDDR4 1.10V V<sub>DDQ</sub>

**Table 244: MR0 Op-Code Bit Definitions (Continued)**

Register Information	Type	OP	Definition	Notes
CA terminating rank	Read only	OP[7]	0b: CA for this rank is not terminated 1b: CA for this rank is terminated	7

- Notes:
- RZQI MR value, if supported, will be valid after the following sequence:
    - Completion of MPC[ZQCAL START] command to either channel
    - Completion of MPC[ZQCAL LATCH] command to either channel then <sup>t</sup>ZQLAT is satisfied
 RZQI value will be lost after reset.
  - If ZQ is connected to V<sub>SSQ</sub> to set default calibration, OP[4:3] must be set to 01b. If ZQ is not connected to V<sub>SSQ</sub>, either OP[4:3] = 01b or OP[4:3] = 10b might indicate a ZQ pin assembly error. It is recommended that the assembly error be corrected.
  - In the case of possible assembly error, the device will default to factory trim settings for R<sub>ON</sub>, and will ignore ZQ CALIBRATION commands. In either case, the device may not function as intended.
  - If the ZQ pin self-test returns OP[4:3] = 11b, the device has detected a resistor connected to the ZQ pin. However, this result cannot be used to validate the ZQ resistor value or that the ZQ resistor meets the specified limits (that is, 240Ω ±1%).
  - See byte mode addendum spec for byte mode latency details.
  - Byte mode latency for 2Ch. x16 device is only allowed when it is stacked in a same package with byte mode device.
  - CATR indicates whether CA for the rank will be terminated or not as a result of ODTCA pad connection and MR22 OP[5] settings for x16 devices, MR22 OP[7:5] settings for byte mode devices.

**Table 245: MR3 I/O Configuration 1 (MA[5:0] = 03h)**

OP7	OP6	OP5	OP4	OP3	OP2	OP1	OP0
DBI-WR	DBI-RD	PDDS			PPRP	WR-PST	PU-CAL




**Table 246: MR3 Op-Code Bit Definitions**

Feature	Type	OP	Definition	Notes
PU-CAL (Pull-up calibration point)	Write-only	OP[0]	0b: V <sub>DDQ</sub> /2.5 1b: V <sub>DDQ</sub> /3 (default)	1-4
WR-PST (WR postamble length)		OP[1]	0b: WR postamble = 0.5 × t <sub>CK</sub> (default) 1b: WR postamble = 1.5 × t <sub>CK</sub>	2, 3, 5
PPRP (Post-package repair protection)		OP[2]	0b: PPR protection disabled (default) 1b: PPR protection enabled	6
PDDS (Pull-down drive strength)		OP[5:3]	000b: RFU 001b: R <sub>ZQ</sub> /1 010b: R <sub>ZQ</sub> /2 011b: R <sub>ZQ</sub> /3 100b: R <sub>ZQ</sub> /4 101b: R <sub>ZQ</sub> /5 110b: R <sub>ZQ</sub> /6 (default) 111b: Reserved	1, 2, 3
DBI-RD (DBI-read enable)		OP[6]	0b: Disabled (default) 1b: Enabled	2, 3
DBI-WR (DBI-write enable)		OP[7]	0b: Disabled (default) 1b: Enabled	2, 3

- Notes:
1. All values are typical. The actual value after calibration will be within the specified tolerance for a given voltage and temperature. Recalibration may be required as voltage and temperature vary.
  2. There are two physical registers assigned to each bit of this MR parameter, designated set point 0 and set point 1. Only the registers for the set point determined by the state of the FSP-WR bit (MR13 OP[6]) will be written to with an MRW command to this MR address, or read from with an MRR command to this address.
  3. There are two physical registers assigned to each bit of this MR parameter, designated set point 0 and set point 1. The device will operate only according to the values stored in the registers for the active set point, for example, the set point determined by the state of the FSP-OP bit (MR13 OP[7]). The values in the registers for the inactive set point will be determined by the state of the FSP-OP bit (MR13 OP[7]). The values in the registers for the inactive set point will be ignored by the device, and may be changed without affecting device operation.
  4. For dual channel device, PU-CAL (MR3-OP[0]) must be set the same for both channels on a die. The SDRAM will read the value of only one register (Ch.A or Ch.B), vendor-specific, so both channels must be set the same.
  5. 1.5 × t<sub>CK</sub> apply > 1.6 GHz clock.
  6. If MR3 OP[2] is set to 1b, PPR protection mode is enabled. The PPR protection bit is a sticky bit and can only be set to 0b by a power on reset. MR4 OP[4] controls entry to PPR mode. If PPR protection is enabled then the DRAM will not allow writing of 1b to MR4 OP[4].



## 149-Ball NAND Flash with LPDDR4/LPDDR4X MCP LPDDR4 1.10V V<sub>DDQ</sub>

**Table 247: MR12 Register Information (MA[5:0] = 0Ch)**

OP7	OP6	OP5	OP4	OP3	OP2	OP1	OP0
RFU	VR <sub>CA</sub>	V <sub>REF(CA)</sub>					

**Table 248: MR12 Op-Code Bit Definitions**

Feature	Type	OP	Data	Notes
V <sub>REF(CA)</sub> V <sub>REF(CA)</sub> settings	Read/ Write	OP[5:0]	000000b–110010b: See V <sub>REF</sub> Settings Table All others: Reserved	1–3, 5, 6
VR <sub>CA</sub> V <sub>REF(CA)</sub> range	Read/ Write	OP[6]	0b: V <sub>REF(CA)</sub> range[0] enabled 1b: V <sub>REF(CA)</sub> range[1] enabled (default)	1, 2, 4, 5, 6

- Notes:
1. This register controls the V<sub>REF(CA)</sub> levels for frequency set point[1:0]. Values from either VR(ca)[0] or VR(ca)[1] may be selected by setting MR12 OP[6] appropriately.
  2. A read to MR12 places the contents of OP[7:0] on DQ[7:0]. Any RFU bits and unused DQ will be set to 0. See the MRR Operation section.
  3. A write to MR12 OP[5:0] sets the internal V<sub>REF(CA)</sub> level for FSP[0] when MR13 OP[6] = 0b or sets the internal V<sub>REF(CA)</sub> level for FSP[1] when MR13 OP[6] = 1b. The time required for V<sub>REF(CA)</sub> to reach the set level depends on the step size from the current level to the new level. See the V<sub>REF(CA)</sub> training section.
  4. A write to MR12 OP[6] switches the device between two internal V<sub>REF(CA)</sub> ranges. The range (range[0] or range[1]) must be selected when setting the V<sub>REF(CA)</sub> register. The value, once set, will be retained until overwritten or until the next power-on or reset event.
  5. There are two physical registers assigned to each bit of this MR parameter, designated set point 0 and set point 1. Only the registers for the set point determined by the state of the FSP-WR bit (MR13 OP[6]) will be written to with an MRW command to this MR address, or read from with an MRR command to this address.
  6. There are two physical registers assigned to each bit of this MR parameter, designated set point 0 and set point 1. The device will operate only according to the values stored in the registers for the active set point, for example, the set point determined by the state of the FSP-OP bit (MR13 OP[7]). The values in the registers for the inactive set point will be ignored by the device, and may be changed without affecting device operation.

**Table 249: Mode Register 14 (MA[5:0] = 0Eh)**

OP[7]	OP[6]	OP[5]	OP[4]	OP[3]	OP[2]	OP[1]	OP[0]
RFU	VR <sub>DQ</sub>	V <sub>REF(DQ)</sub>					


**Table 250: MR14 Op-Code Bit Definition**

Feature	Type	OP	Definition	Notes
V <sub>REF(DQ)</sub> V <sub>REF(DQ)</sub> setting	Read/ Write	OP[5:0]	000000b–110010b: See V <sub>REF</sub> Settings table All others: Reserved	1–3, 5, 6
V <sub>R<sub>DQ</sub></sub> V <sub>REF(DQ)</sub> range		OP[6]	0b: V <sub>REF(DQ)</sub> range[0] enabled 1b: V <sub>REF(DQ)</sub> range[1] enabled (default)	1, 2, 4–6

- Notes:
1. This register controls the V<sub>REF(DQ)</sub> levels for frequency set point[1:0]. Values from either V<sub>R<sub>DQ</sub></sub> [vendor defined] or V<sub>R<sub>DQ</sub></sub> [vendor defined] may be selected by setting OP[6] appropriately.
  2. A read (MRR) to this register places the contents of OP[7:0] on DQ[7:0]. Any RFU bits and unused DQ will be set to 0. See the MRR Operation section.
  3. A write to OP[5:0] sets the internal V<sub>REF(DQ)</sub> level for FSP[0] when MR13 OP[6] = 0b, or sets FSP[1] when MR13 OP[6] = 1b. The time required for V<sub>REF(DQ)</sub> to reach the set level depends on the step size from the current level to the new level. See the V<sub>REF(DQ)</sub> training section.
  4. A write to OP[6] switches the device between two internal V<sub>REF(DQ)</sub> ranges. The range (range[0] or range[1]) must be selected when setting the V<sub>REF(DQ)</sub> register. The value, once set, will be retained until overwritten, or until the next power-on or reset event.
  5. There are two physical registers assigned to each bit of this MR parameter, designated set point 0 and set point 1. Only the registers for the set point determined by the state of the FSP-WR bit (MR13 OP[6]) will be written to with an MRW command to this MR address, or read from with an MRR command to this address.
  6. There are two physical registers assigned to each bit of this MR parameter, designated set point 0, and set point 1. The device will operate only according to the values stored in the registers for the active set point, for example, the set point determined by the state of the FSP-OP bit (MR13 OP[7]). The values in the registers for the inactive set point will be ignored by the device, and may be changed without affecting device operation.


**Table 251: V<sub>REF</sub> Setting for Range[0] and Range[1]**

Notes 1–3 apply to entire table

Function	OP	Range[0] Values		Range[1] Values	
		V <sub>REF(CA)</sub> (% of V <sub>DD2</sub> )		V <sub>REF(CA)</sub> (% of V <sub>DD2</sub> )	
		V <sub>REF(DQ)</sub> (% of V <sub>DDQ</sub> )		V <sub>REF(DQ)</sub> (% of V <sub>DDQ</sub> )	
V <sub>REF</sub> setting for MR12 and MR14	OP[5:0]	000000b: 10.0%	011010b: 20.4%	000000b: 22.0%	011010b: 32.4%
		000001b: 10.4%	011011b: 20.8%	000001b: 22.4%	011011b: 32.8%
		000010b: 10.8%	011100b: 21.2%	000010b: 22.8%	011100b: 33.2%
		000011b: 11.2%	011101b: 21.6%	000011b: 23.2%	011101b: 33.6%
		000100b: 11.6%	011110b: 22.0%	000100b: 23.6%	011110b: 34.0%
		000101b: 12.0%	011111b: 22.4%	000101b: 24.0%	011111b: 34.4%
		000110b: 12.4%	100000b: 22.8%	000110b: 24.4%	100000b: 34.8%
		000111b: 12.8%	100001b: 23.2%	000111b: 24.8%	100001b: 35.2%
		001000b: 13.2%	100010b: 23.6%	001000b: 25.2%	100010b: 35.6%
		001001b: 13.6%	100011b: 24.0%	001001b: 25.6%	100011b: 36.0%
		001010b: 14.0%	100100b: 24.4%	001010b: 26.0%	100100b: 36.4%
		001011b: 14.4%	100101b: 24.8%	001011b: 26.4%	100101b: 36.8%
		001100b: 14.8%	100110b: 25.2%	001100b: 26.8%	100110b: 37.2%
		001101b: 15.2%	100111b: 25.6%	001101b: 27.2% default	100111b: 37.6%
		001110b: 15.6%	101000b: 26.0%	001110b: 27.6%	101000b: 38.0%
		001111b: 16.0%	101001b: 26.4%	001111b: 28.0%	101001b: 38.4%
		010000b: 16.4%	101010b: 26.8%	010000b: 28.4%	101010b: 38.8%
		010001b: 16.8%	101011b: 27.2%	010001b: 28.8%	101011b: 39.2%
		010010b: 17.2%	101100b: 27.6%	010010b: 29.2%	101100b: 39.6%
		010011b: 17.6%	101101b: 28.0%	010011b: 29.6%	101101b: 40.0%
010100b: 18.0%	101110b: 28.4%	010100b: 30.0%	101110b: 40.4%		
010101b: 18.4%	101111b: 28.8%	010101b: 30.4%	101111b: 40.8%		
010110b: 18.8%	110000b: 29.2%	010110b: 30.8%	110000b: 41.2%		
010111b: 19.2%	110001b: 29.6%	010111b: 31.2%	110001b: 41.6%		
011000b: 19.6%	110010b: 30.0%	011000b: 31.6%	110010b: 42.0%		
011001b: 20.0%	All others: Reserved	011001b: 32.0%	All others: Reserved		

- Notes:
1. These values may be used for MR14 OP[5:0] and MR12 OP[5:0] to set the V<sub>REF(CA)</sub> or V<sub>REF(DQ)</sub> levels in the device.
  2. The range may be selected in each of the MR14 or MR12 registers by setting OP[6] appropriately.
  3. Each of the MR14 or MR12 registers represents either FSP[0] or FSP[1]. Two frequency set points each for CA and DQ are provided to allow for faster switching between terminated and unterminated operation or between different high-frequency settings, which may use different terminations values.



## 149-Ball NAND Flash with LPDDR4/LPDDR4X MCP LPDDR4 1.10V V<sub>DDQ</sub>

**Table 252: MR22 Register Information (MA[5:0] = 16h)**

OP7	OP6	OP5	OP4	OP3	OP2	OP1	OP0
ODTD for x8_2ch		ODTD-CA	ODTE-CS	ODTE-CK	SOC ODT		

**Table 253: MR22 Register Information**

Function	Type	OP	Data	Notes
SOC ODT (controller ODT value for V <sub>OH</sub> calibration)	Write-only	OP[2:0]	000b: Disable (default) 001b: R <sub>ZQ</sub> /1 010b: R <sub>ZQ</sub> /2 011b: R <sub>ZQ</sub> /3 100b: R <sub>ZQ</sub> /4 101b: R <sub>ZQ</sub> /5 110b: R <sub>ZQ</sub> /6 111b: RFU	1, 2, 3
ODTE-CK (CK ODT enabled for non-terminating rank)	Write-only	OP[3]	0b: ODT-CK override disabled (default) 1b: ODT-CK override enabled	2, 3, 4, 6, 8
ODTE-CS (CS ODT enabled for non-terminating rank)	Write-only	OP[4]	0b: ODT-CS override disabled (default) 1b: ODT-CS override enabled	2, 3, 5, 6, 8
ODTD-CA (CA ODT termination disable)	Write-only	OP[5]	0b: CA ODT obeys ODT_CA bond pad (default) 1b: CA ODT disabled	2, 3, 6, 7, 8
ODTD for x8_2ch (Byte) mode	Write-only	OP[7:6]	See Byte Mode section	

- Notes:
1. All values are typical.
  2. There are two physical registers assigned to each bit of this MR parameter: designated set point 0 and set point 1. Only the registers for the set point determined by the state of the FSP-WR bit (MR13 OP[6]) will be written to with an MRW command or read from with an MRR command to this address.
  3. There are two physical registers assigned to each bit of this MR parameter: designated set point 0 and set point 1. The device will operate only according to the values stored in the registers for the active set point determined by the state of the FSP-OP bit (MR13 OP[7]). The values in the registers for the inactive set point will be ignored by the device and may be changed without affecting device operation.
  4. When OP[3] = 1 the CK signals will be terminated to the value set by MR11 OP[6:4] regardless of the state of the ODT\_CA bond pad. This overrides the ODT\_CA bond pad for configurations where CA is shared by two or more devices but CK is not, enabling CK to terminate on all devices.
  5. When OP[4] = 1 the CS signal will be terminated to the value set by MR11 OP[6:4] regardless of the state of the ODT\_CA bond pad. This overrides the ODT\_CA bond pad for configurations where CA is shared by two or more devices but CS is not, enabling CS to terminate on all devices.
  6. For system configurations where the CK, CS, and CA signals are shared between packages, the package design should provide for the ODT\_CA ball to be bonded on the system board outside of the memory package. This provides the necessary control of the ODT function for all die with shared command bus signals.



## 149-Ball NAND Flash with LPDDR4/LPDDR4X MCP LPDDR4 1.10V $V_{DDQ}$

7. When OP[5] = 0, CA[5:0] will terminate when the ODT\_CA bond pad is HIGH and MR11 OP[6:4] is valid and disable termination when ODT\_CA is LOW or MR11 OP[6:4] is disabled. When OP[5] = 1, termination for CA[5:0] is disabled regardless of the state of the ODT\_CA bond pad or MR11 OP[6:4].
8. To ensure proper operation in a multi-rank configuration, when CA, CK or CS ODT is enabled via MR11 OP[6:4] and also via MR22 or ODT\_CA pad setting, the rank providing ODT will continue to terminate the command bus in all DRAM states including Active, Self-refresh, Self-refresh Power-down, Active Power-down and Precharge Power-down.



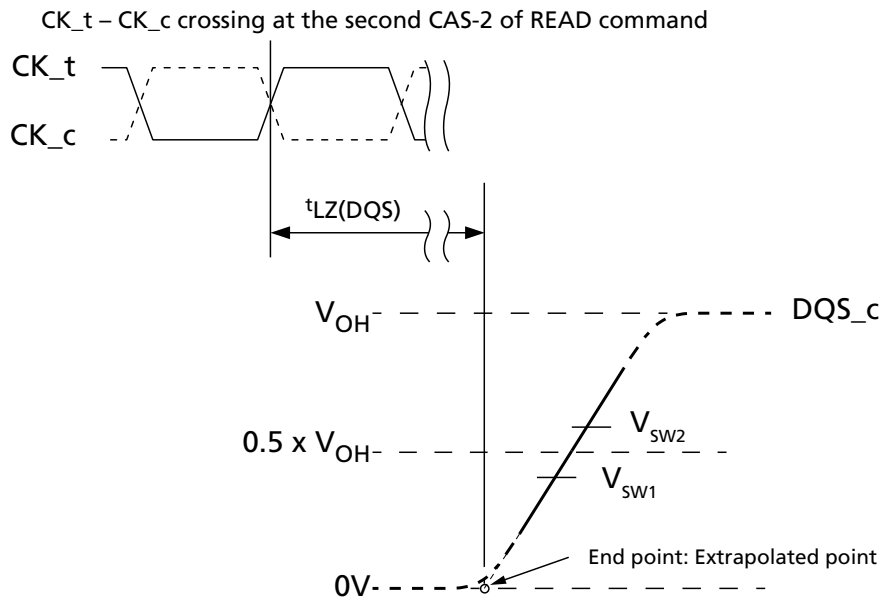
## Burst READ Operation - LPDDR4 ATE Condition

### $t_{LZ}(DQS)$ , $t_{LZ}(DQ)$ , $t_{HZ}(DQS)$ , $t_{HZ}(DQ)$ Calculation

$t_{HZ}$  and  $t_{LZ}$  transitions occur in the same time window as valid data transitions. These parameters are referenced to a specific voltage level that specifies when the device output is no longer driving  $t_{HZ}(DQS)$  and  $t_{HZ}(DQ)$ , or begins driving  $t_{LZ}(DQS)$  and  $t_{LZ}(DQ)$ . This section shows a method to calculate the point when the device is no longer driving  $t_{HZ}(DQS)$  and  $t_{HZ}(DQ)$ , or begins driving  $t_{LZ}(DQS)$  and  $t_{LZ}(DQ)$ , by measuring the signal at two different voltages. The actual voltage measurement points are not critical as long as the calculation is consistent. The parameters  $t_{LZ}(DQS)$ ,  $t_{LZ}(DQ)$ ,  $t_{HZ}(DQS)$ , and  $t_{HZ}(DQ)$  are defined as single ended.

### $t_{LZ}(DQS)$ and $t_{HZ}(DQS)$ Calculation for ATE (Automatic Test Equipment)

Figure 248:  $t_{LZ}(DQS)$  Method for Calculating Transitions and Endpoint

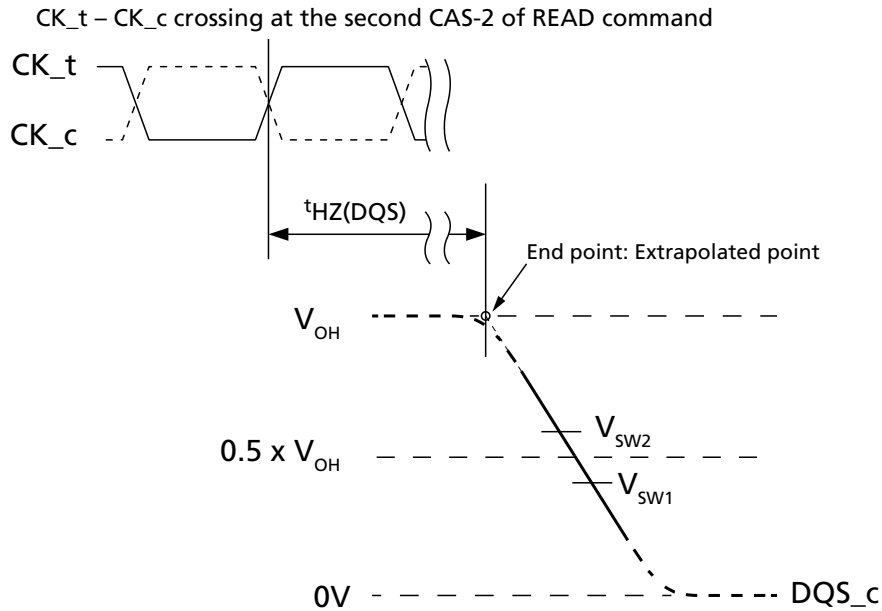


- Notes:
1. Conditions for calibration: Pull down driver  $R_{ON} = 40$  ohms,  $V_{OH} = V_{DDQ}/3$ .
  2. Termination condition for  $DQS_t$  and  $DQS_C = 50$  ohms to  $V_{SSQ}$ .
  3. The  $V_{OH}$  level depends on MR22 OP[2:0] and MR3 OP[0] settings as well as device tolerances. Use the actual  $V_{OH}$  value for  $t_{HZ}$  and  $t_{LZ}$  measurements.



**149-Ball NAND Flash with LPDDR4/LPDDR4X MCP  
LPDDR4 1.10V V<sub>DDQ</sub>**

**Figure 249: <sup>t</sup>HZ(DQS) Method for Calculating Transitions and Endpoint**



- Notes:
1. Conditions for calibration: Pull down driver R<sub>ON</sub> = 40 ohms, V<sub>OH</sub> = V<sub>DDQ</sub>/3.
  2. Termination condition for DQS<sub>t</sub> and DQS<sub>c</sub> = 50 ohms to V<sub>SSQ</sub>.
  3. The V<sub>OH</sub> level depends on MR22 OP[2:0] and MR3 OP[0] settings as well as device tolerances. Use the actual V<sub>OH</sub> value for <sup>t</sup>HZ and <sup>t</sup>LZ measurements.

**Table 254: Reference Voltage for <sup>t</sup>LZ(DQS), <sup>t</sup>HZ(DQS) Timing Measurements**

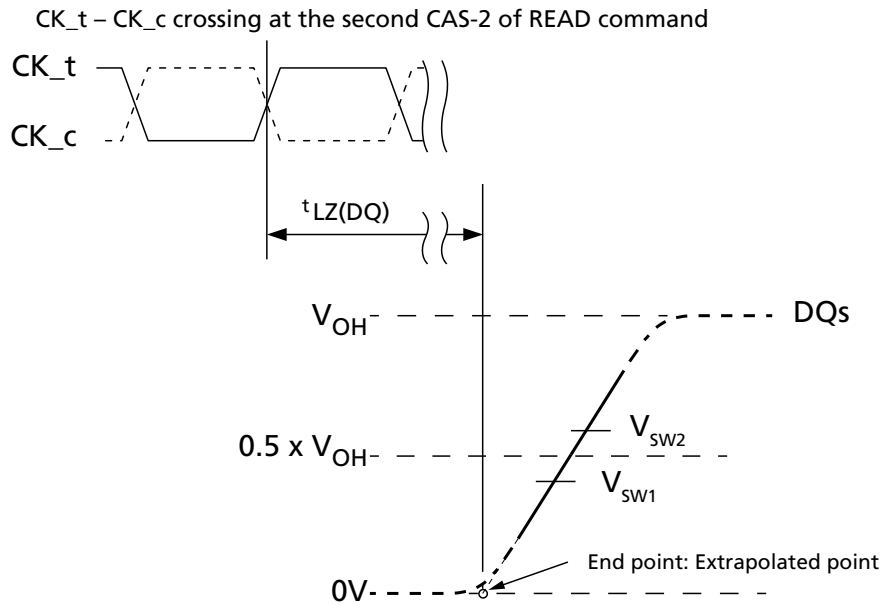
Measured Parameter	Measured Parameter Symbol	V <sub>sw1</sub>	V <sub>sw2</sub>	Unit
DQS <sub>c</sub> Low-Z time from CK <sub>t</sub> , CK <sub>c</sub>	<sup>t</sup> LZ(DQS)	0.4 × V <sub>OH</sub>	0.6 × V <sub>OH</sub>	V
DQS <sub>c</sub> High-Z time from CK <sub>t</sub> , CK <sub>c</sub>	<sup>t</sup> HZ(DQS)	0.4 × V <sub>OH</sub>	0.6 × V <sub>OH</sub>	





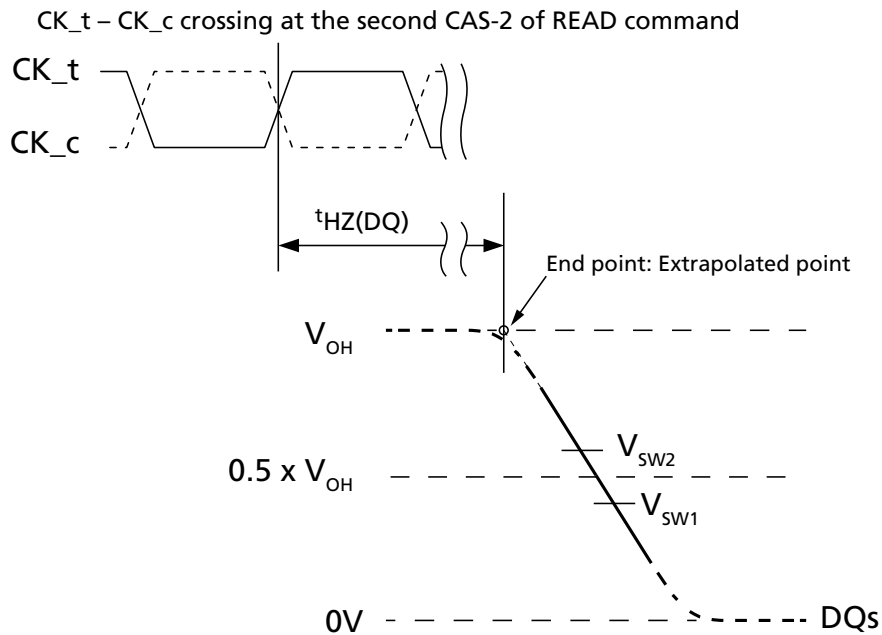
**$t_{LZ}(DQ)$  and  $t_{HZ}(DQ)$  Calculation for ATE (Automatic Test Equipment)**

**Figure 250:  $t_{LZ}(DQ)$  Method for Calculating Transitions and Endpoint**



- Notes:
1. Conditions for calibration: Pull down driver  $R_{ON} = 40$  ohms,  $V_{OH} = V_{DDQ}/3$ .
  2. Termination condition for DQ and DMI = 50 ohms to  $V_{SSQ}$ .
  3. The  $V_{OH}$  level depends on MR22 OP[2:0] and MR3 OP[0] settings as well as device tolerances. Use the actual  $V_{OH}$  value for  $t_{HZ}$  and  $t_{LZ}$  measurements.

**Figure 251:  $t_{HZ}(DQ)$  Method for Calculating Transitions and Endpoint**



- Notes:
1. Conditions for calibration: Pull down driver  $R_{ON} = 40$  ohms,  $V_{OH} = V_{DDQ}/3$ .



## 149-Ball NAND Flash with LPDDR4/LPDDR4X MCP LPDDR4 1.10V V<sub>DDQ</sub>

2. Termination condition for DQ and DMI = 50 ohms to V<sub>SSQ</sub>.
3. The V<sub>OH</sub> level depends on MR22 OP[2:0] and MR3 OP[0] settings as well as device tolerances. Use the actual V<sub>OH</sub> value for <sup>t</sup>HZ and <sup>t</sup>LZ measurements.

**Table 255: Reference Voltage for <sup>t</sup>LZ(DQ), <sup>t</sup>HZ(DQ) Timing Measurements**

Measured Parameter	Measured Parameter Symbol	Vsw1	Vsw2	Unit
DQ Low-Z time from CK_t, CK_c	<sup>t</sup> LZ(DQ)	0.4 × V <sub>OH</sub>	0.6 × V <sub>OH</sub>	V
DQ High-Z time from CK_t, CK_c	<sup>t</sup> HZ(DQ)	0.4 × V <sub>OH</sub>	0.6 × V <sub>OH</sub>	



## V<sub>REF</sub> Specifications - LPDDR4

### Internal V<sub>REF(CA)</sub> Specifications

The device's internal V<sub>REF(CA)</sub> specification parameters are operating voltage range, step size, V<sub>REF</sub> step time, V<sub>REF</sub> full-range step time, and V<sub>REF</sub> valid level.

The voltage operating range specifies the minimum required V<sub>REF</sub> setting range for LPDDR4 devices. The minimum range is defined by V<sub>REF,max</sub> and V<sub>REF,min</sub>.

**Table 256: Internal V<sub>REF(CA)</sub> Specifications**

Symbol	Parameter	Min	Typ	Max	Unit	Notes
V <sub>REF(CA),max_r0</sub>	V <sub>REF(CA)</sub> range-0 MAX operating point	–	–	30%	V <sub>DD2</sub>	1, 11
V <sub>REF(CA),min_r0</sub>	V <sub>REF(CA)</sub> range-0 MIN operating point	10%	–	–	V <sub>DD2</sub>	1, 11
V <sub>REF(CA),max_r1</sub>	V <sub>REF(CA)</sub> range-1 MAX operating point	–	–	42%	V <sub>DD2</sub>	1, 11
V <sub>REF(CA),min_r1</sub>	V <sub>REF(CA)</sub> range-1 MIN operating point	22%	–	–	V <sub>DD2</sub>	1, 11
V <sub>REF(CA),step</sub>	V <sub>REF(CA)</sub> step size	0.30%	0.40%	0.50%	V <sub>DD2</sub>	2
V <sub>REF(CA),set_tol</sub>	V <sub>REF(CA)</sub> set tolerance	–1.00%	0.00%	1.00%	V <sub>DD2</sub>	3, 4, 6
		–0.10%	0.00%	0.10%	V <sub>DD2</sub>	3, 5, 7
t <sub>VREF_TIME-SHORT</sub>	V <sub>REF(CA)</sub> step time	–	–	100	ns	8
t <sub>VREF_TIME-MIDDLE</sub>		–	–	200	ns	12
t <sub>VREF_TIME-LONG</sub>		–	–	250	ns	9
t <sub>VREF_time_weak</sub>		–	–	1	ms	13, 14
V <sub>REF(CA)_val_tol</sub>	V <sub>REF(CA)</sub> valid tolerance	–0.10%	0.00%	0.10%	V <sub>DD2</sub>	10

- Notes:
1. V<sub>REF(CA)</sub> DC voltage referenced to V<sub>DD2(DC)</sub>.
  2. V<sub>REF(CA)</sub> step size increment/decrement range. V<sub>REF(CA)</sub> at DC level.
  3. V<sub>REF(CA),new</sub> = V<sub>REF(CA),old</sub> + n × V<sub>REF(CA),step</sub>; n = number of steps; if increment, use "+"; if decrement, use "-".
  4. The minimum value of V<sub>REF(CA)</sub> setting tolerance = V<sub>REF(CA),new</sub> - 1.0% × V<sub>DD2</sub>. The maximum value of V<sub>REF(CA)</sub> setting tolerance = V<sub>REF(CA),new</sub> + 1.0% × V<sub>DD2</sub>. For n > 4.
  5. The minimum value of V<sub>REF(CA)</sub> setting tolerance = V<sub>REF(CA),new</sub> - 0.10% × V<sub>DD2</sub>. The maximum value of V<sub>REF(CA)</sub> setting tolerance = V<sub>REF(CA),new</sub> + 0.10% × V<sub>DD2</sub>. For n < 4.
  6. Measured by recording the minimum and maximum values of the V<sub>REF(CA)</sub> output over the range, drawing a straight line between those points and comparing all other V<sub>REF(CA)</sub> output settings to that line.
  7. Measured by recording the minimum and maximum values of the V<sub>REF(CA)</sub> output across four consecutive steps (n = 4), drawing a straight line between those points and comparing all other V<sub>REF(CA)</sub> output settings to that line.
  8. Time from MRW command to increment or decrement one step size for V<sub>REF(CA)</sub>.
  9. Time from MRW command to increment or decrement V<sub>REF,min</sub> to V<sub>REF,max</sub> or V<sub>REF,max</sub> to V<sub>REF,min</sub> change across the V<sub>REF(CA)</sub> range in V<sub>REF</sub> voltage.
  10. Only applicable for DRAM component level test/characterization purposes. Not applicable for normal mode of operation. V<sub>REF</sub> valid is to qualify the step times which will be characterized at the component level.



**149-Ball NAND Flash with LPDDR4/LPDDR4X MCP  
LPDDR4 1.10V V<sub>DDQ</sub>**

11. DRAM range-0 or range-1 set by MR12 OP[6].
12. Time from MRW command to increment or decrement more than one step size up to a full range of V<sub>REF</sub> voltage within the same V<sub>REF(CA)</sub> range.
13. Applies when VRCG high current mode is not enabled, specified by MR13 [OP3] = 0b.
14. t<sub>V<sub>REF</sub>\_time\_weak</sub> covers all V<sub>REF(CA)</sub> range and value change conditions are applied to t<sub>V<sub>REF</sub>\_TIME-SHORT/MIDDLE/LONG</sub>.

**Internal V<sub>REF(DQ)</sub> Specifications**

The device's internal V<sub>REF(DQ)</sub> specification parameters are operating voltage range, step size, V<sub>REF</sub> step tolerance, V<sub>REF</sub> step time and V<sub>REF</sub> valid level.

The voltage operating range specifies the minimum required V<sub>REF</sub> setting range for LPDDR4 devices. The minimum range is defined by V<sub>REF,max</sub> and V<sub>REF,min</sub>.

**Table 257: Internal V<sub>REF(DQ)</sub> Specifications**

Symbol	Parameter	Min	Typ	Max	Unit	Notes
V <sub>REF(DQ),max_r0</sub>	V <sub>REF</sub> MAX operating point Range-0	-	-	30%	V <sub>DDQ</sub>	1, 11
V <sub>REF(DQ),min_r0</sub>	V <sub>REF</sub> MIN operating point Range-0	10%	-	-	V <sub>DDQ</sub>	1, 11
V <sub>REF(DQ),max_r1</sub>	V <sub>REF</sub> MAX operating point Range-1	-	-	42%	V <sub>DDQ</sub>	1, 11
V <sub>REF(DQ),min_r1</sub>	V <sub>REF</sub> MIN operating point Range-1	22%	-	-	V <sub>DDQ</sub>	1, 11
V <sub>REF(DQ),step</sub>	V <sub>REF(DQ)</sub> step size	0.30%	0.40%	0.50%	V <sub>DDQ</sub>	2
V <sub>REF(DQ),set_tol</sub>	V <sub>REF(DQ)</sub> set tolerance	-1.00%	0.00%	1.00%	V <sub>DDQ</sub>	3, 4, 6
		-0.10%	0.00%	0.10%	V <sub>DDQ</sub>	3, 5, 7
t <sub>V<sub>REF</sub>_TIME-SHORT</sub>	V <sub>REF(DQ)</sub> step time	-	-	100	ns	8
t <sub>V<sub>REF</sub>_TIME-MIDDLE</sub>		-	-	200	ns	12
t <sub>V<sub>REF</sub>_TIME-LONG</sub>		-	-	250	ns	9
t <sub>V<sub>REF</sub>_time_weak</sub>		-	-	1	ms	13, 14
V <sub>REF(DQ),val_tol</sub>	V <sub>REF(DQ)</sub> valid tolerance	-0.10%	0.00%	0.10%	V <sub>DDQ</sub>	10

- Notes:
1. V<sub>REF(DQ)</sub> DC voltage referenced to V<sub>DDQ(DC)</sub>.
  2. V<sub>REF(DQ)</sub> step size increment/decrement range. V<sub>REF(DQ)</sub> at DC level.
  3. V<sub>REF(DQ),new</sub> = V<sub>REF(DQ),old</sub> + n × V<sub>REF(DQ),step</sub>; n = number of steps; if increment, use "+"; if decrement, use "-".
  4. The minimum value of V<sub>REF(DQ)</sub> setting tolerance = V<sub>REF(DQ),new</sub> - 1.0% × V<sub>DDQ</sub>. The maximum value of V<sub>REF(DQ)</sub> setting tolerance = V<sub>REF(DQ),new</sub> + 1.0% × V<sub>DDQ</sub>. For n > 4.
  5. The minimum value of V<sub>REF(DQ)</sub> setting tolerance = V<sub>REF(DQ),new</sub> - 0.10% × V<sub>DDQ</sub>. The maximum value of V<sub>REF(DQ)</sub> setting tolerance = V<sub>REF(DQ),new</sub> + 0.10% × V<sub>DDQ</sub>. For n < 4.
  6. Measured by recording the minimum and maximum values of the V<sub>REF(DQ)</sub> output over the range, drawing a straight line between those points and comparing all other V<sub>REF(DQ)</sub> output settings to that line.
  7. Measured by recording the minimum and maximum values of the V<sub>REF(DQ)</sub> output across four consecutive steps (n = 4), drawing a straight line between those points and comparing all other V<sub>REF(DQ)</sub> output settings to that line.
  8. Time from MRW command to increment or decrement one step size for V<sub>REF(DQ)</sub>.



## 149-Ball NAND Flash with LPDDR4/LPDDR4X MCP LPDDR4 1.10V $V_{DDQ}$

9. Time from MRW command to increment or decrement  $V_{REF,min}$  to  $V_{REF,max}$  or  $V_{REF,max}$  to  $V_{REF,min}$  change across the  $V_{REF(DQ)}$  Range in  $V_{REF(DQ)}$  Voltage.
10. Only applicable for DRAM component level test/characterization purposes. Not applicable for normal mode of operation.  $V_{REF}$  valid is to qualify the step times which will be characterized at the component level.
11. DRAM range-0 or range-1 set by MR14 OP[6].
12. Time from MRW command to increment or decrement more than one step size up to a full range of  $V_{REF}$  voltage within the same  $V_{REF(DQ)}$  range.
13. Applies when VRCG high current mode is not enabled, specified by MR13 [OP3] = 0.
14.  $t_{V_{REF\_time\_weak}}$  covers all  $V_{REF(DQ)}$  Range and Value change conditions are applied to  $t_{V_{REF\_TIME-SHOR/MIDDLE/LONG}}$ .



## Command Definitions and Timing Diagrams - LPDDR4

### Pull Up/Pull Down Driver Characteristics and Calibration

**Table 258: Pull-Down Driver Characteristics – ZQ Calibration**

R <sub>ONPD,nom</sub>	Register	Min	Nom	Max	Unit
40 ohms	R <sub>ON40PD</sub>	0.90	1.0	1.10	R <sub>ZQ</sub> /6
48 ohms	R <sub>ON48PD</sub>	0.90	1.0	1.10	R <sub>ZQ</sub> /5
60 ohms	R <sub>ON60PD</sub>	0.90	1.0	1.10	R <sub>ZQ</sub> /4
80 ohms	R <sub>ON80PD</sub>	0.90	1.0	1.10	R <sub>ZQ</sub> /3
120 ohms	R <sub>ON120PD</sub>	0.90	1.0	1.10	R <sub>ZQ</sub> /2
240 ohms	R <sub>ON240PD</sub>	0.90	1.0	1.10	R <sub>ZQ</sub> /1

Note: 1. All value are after ZQ calibration. Without ZQ calibration, R<sub>ONPD</sub> values are ±30%.

**Table 259: Pull-Up Characteristics – ZQ Calibration**

V <sub>OHPU,nom</sub>	V <sub>OH,nom</sub>	Min	Nom	Max	Unit
V <sub>DDQ</sub> /2.5	440	0.90	1.0	1.10	V <sub>OH,nom</sub>
V <sub>DDQ</sub> /3	367	0.90	1.0	1.10	V <sub>OH,nom</sub>

Notes: 1. All value are after ZQ calibration. Without ZQ calibration, R<sub>ONPD</sub> values are ±30%.  
2. V<sub>OH,nom</sub> (mV) values are based on a nominal V<sub>DDQ</sub> = 1.1V.

**Table 260: Terminated Valid Calibration Points**

V <sub>OHPU</sub>	ODT Value					
	240	120	80	60	48	40
V <sub>DDQ</sub> /2.5	Valid	Valid	Valid	DNU	DNU	DNU
V <sub>DDQ</sub> /3	Valid	Valid	Valid	Valid	Valid	Valid

Notes: 1. Once the output is calibrated for a given V<sub>OH(nom)</sub> calibration point, the ODT value may be changed without recalibration.  
2. If the V<sub>OH(nom)</sub> calibration point is changed, then recalibration is required.  
3. DNU = Do not use.

### On-Die Termination for the Command/Address Bus

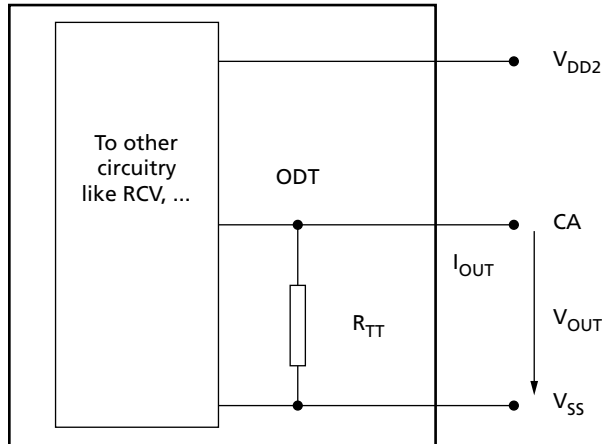
The on-die termination (ODT) feature allows the device to turn on/off termination resistance for CK<sub>t</sub>, CK<sub>c</sub>, CS, and CA[5:0] signals without the ODT control pin. The ODT feature is designed to improve signal integrity of the memory channel by allowing the DRAM controller to turn on and off termination resistance for any target DRAM devices via the mode register setting.

A simple functional representation of the DRAM ODT feature is shown below.



Figure 252: ODT for CA

$$R_{TT} = \frac{V_{OUT}}{|I_{OUT}|}$$



**ODT Mode Register and ODT State Table**

ODT termination values are set and enabled via MR11. The CA bus (CK<sub>t</sub>, CK<sub>c</sub>, CS, CA[5:0]) ODT resistance values are set by MR11 OP[6:4]. The default state for the CA is ODT disabled.

ODT is applied on the CA bus to the CK<sub>t</sub>, CK<sub>c</sub>, CS, and CA signals. The CA ODT of the device is designed to enable one rank to terminate the entire command bus in a multi-rank system, so only one termination load will be present even if multiple devices are sharing the command signals. For this reason, CA ODT remains on, even when the device is in the power-down or self refresh power-down state.

The die has a bond pad (ODT\_CA) for multirank operations. When the ODT\_CA pad is LOW, the die will not terminate the CA bus regardless of the state of the mode register CA ODT bits (MR11 OP[6:4]). If, however, the ODT\_CA bond pad is HIGH and the mode register CA ODT bits are enabled, the die will terminate the CA bus with the ODT values found in MR11 OP[6:4]. In a multirank system, the terminating rank should be trained first, followed by the non-terminating rank(s).

**Table 261: Command Bus ODT State**

CA ODT MR11[6:4]	ODT_CA Bond Pad	ODTD-CA MR22 OP[5]	ODTE-CK MR22 OP[3]	ODTE-CS MR22 OP[4]	ODT State for CA	ODT State for CK	ODT State for CS
Disabled <sup>1</sup>	Valid <sup>2</sup>	Valid <sup>3</sup>	Valid <sup>3</sup>	Valid <sup>3</sup>	Off	Off	Off
Valid <sup>3</sup>	0	Valid <sup>3</sup>	0	0	Off	Off	Off
Valid <sup>3</sup>	0	Valid <sup>3</sup>	0	1	Off	Off	On
Valid <sup>3</sup>	0	Valid <sup>3</sup>	1	0	Off	On	Off
Valid <sup>3</sup>	0	Valid <sup>3</sup>	1	1	Off	On	On
Valid <sup>3</sup>	1	0	Valid <sup>3</sup>	Valid <sup>3</sup>	On	On	On



**149-Ball NAND Flash with LPDDR4/LPDDR4X MCP  
LPDDR4 1.10V V<sub>DDQ</sub>**

**Table 261: Command Bus ODT State (Continued)**

CA ODT MR11[6:4]	ODT_CA Bond Pad	ODTD-CA MR22 OP[5]	ODTE-CK MR22 OP[3]	ODTE-CS MR22 OP[4]	ODT State for CA	ODT State for CK	ODT State for CS
Valid <sup>3</sup>	1	1	Valid <sup>3</sup>	Valid <sup>3</sup>	Off	On	On

- Notes:
1. Default value.
  2. Valid = H or L (a defined logic level)
  3. Valid = 0 or 1.
  4. The state of ODT\_CA is not changed when the device enters power-down mode. This maintains termination for alternate ranks in multirank systems.

**ODT Mode Register and ODT Characteristics**

**Table 262: ODT DC Electrical Characteristics for Command/Address Bus – up to 3200 Mb/s**

R<sub>ZQ</sub> = 240Ω ±1% over entire operating range after calibration

MR11 OP[6:4]	R <sub>TT</sub>	V <sub>OUT</sub>	Min	Nom	Max	Unit	Notes
001b	240Ω	V <sub>OL(DC)</sub> = 0.1 × V <sub>DD2</sub>	0.8	1.0	1.1	R <sub>ZQ</sub> /1	1, 2
		V <sub>OM(DC)</sub> = 0.33 × V <sub>DD2</sub>	0.9	1.0	1.1		
		V <sub>OH(DC)</sub> = 0.5 × V <sub>DD2</sub>	0.9	1.0	1.2		
010b	120Ω	V <sub>OL(DC)</sub> = 0.1 × V <sub>DD2</sub>	0.8	1.0	1.1	R <sub>ZQ</sub> /2	1, 2
		V <sub>OM(DC)</sub> = 0.33 × V <sub>DD2</sub>	0.9	1.0	1.1		
		V <sub>OH(DC)</sub> = 0.5 × V <sub>DD2</sub>	0.9	1.0	1.2		
011b	80Ω	V <sub>OL(DC)</sub> = 0.1 × V <sub>DD2</sub>	0.8	1.0	1.1	R <sub>ZQ</sub> /3	1, 2
		V <sub>OM(DC)</sub> = 0.33 × V <sub>DD2</sub>	0.9	1.0	1.1		
		V <sub>OH(DC)</sub> = 0.5 × V <sub>DD2</sub>	0.9	1.0	1.2		
100b	60Ω	V <sub>OL(DC)</sub> = 0.1 × V <sub>DD2</sub>	0.8	1.0	1.1	R <sub>ZQ</sub> /4	1, 2
		V <sub>OM(DC)</sub> = 0.33 × V <sub>DD2</sub>	0.9	1.0	1.1		
		V <sub>OH(DC)</sub> = 0.5 × V <sub>DD2</sub>	0.9	1.0	1.2		
101b	48Ω	V <sub>OL(DC)</sub> = 0.1 × V <sub>DD2</sub>	0.8	1.0	1.1	R <sub>ZQ</sub> /5	1, 2
		V <sub>OM(DC)</sub> = 0.33 × V <sub>DD2</sub>	0.9	1.0	1.1		
		V <sub>OH(DC)</sub> = 0.5 × V <sub>DD2</sub>	0.9	1.0	1.2		
110b	40Ω	V <sub>OL(DC)</sub> = 0.1 × V <sub>DD2</sub>	0.8	1.0	1.1	R <sub>ZQ</sub> /6	1, 2
		V <sub>OM(DC)</sub> = 0.33 × V <sub>DD2</sub>	0.9	1.0	1.1		
		V <sub>OH(DC)</sub> = 0.5 × V <sub>DD2</sub>	0.9	1.0	1.2		
Mismatch, CA -CA within clock group		0.33 × V <sub>DD2</sub>	–	–	2	%	1, 2, 3

- Notes:
1. The tolerance limits are specified after calibration with stable temperature and voltage. To understand the behavior of the tolerance limits when voltage or temperature changes after calibration, see the section on voltage and temperature sensitivity.
  2. Pull-down ODT resistors are recommended to be calibrated at 0.33 × V<sub>DD2</sub>. Other calibration points may be required to achieve the linearity specification shown above, for example, calibration at 0.5 × V<sub>DD2</sub> and 0.1 × V<sub>DD2</sub>.





**149-Ball NAND Flash with LPDDR4/LPDDR4X MCP  
LPDDR4 1.10V V<sub>DDQ</sub>**

- CA to CA mismatch within clock group variation for a given component including CK<sub>t</sub>, CK<sub>c</sub>, and CS (characterized).

$$\text{CA-to-CA mismatch} = \frac{R_{\text{ODT}}(\text{MAX}) - R_{\text{ODT}}(\text{MIN})}{R_{\text{ODT}}(\text{AVG})}$$

**Table 263: ODT DC Electrical Characteristics for Command/Address Bus – Beyond 3200 Mb/s**

R<sub>ZQ</sub> = 240Ω ±1% over entire operating range after calibration

MR11 OP[6:4]	R <sub>TT</sub>	V <sub>OUT</sub>	Min	Nom	Max	Unit	Notes
001b	240Ω	V <sub>OL(DC)</sub> = 0.1 × V <sub>DD2</sub>	0.8	1.0	1.1	R <sub>ZQ</sub> /1	1, 2
		V <sub>OM(DC)</sub> = 0.33 × V <sub>DD2</sub>	0.9	1.0	1.1		
		V <sub>OH(DC)</sub> = 0.5 × V <sub>DD2</sub>	0.9	1.0	1.3		
010b	120Ω	V <sub>OL(DC)</sub> = 0.1 × V <sub>DD2</sub>	0.8	1.0	1.1	R <sub>ZQ</sub> /2	1, 2
		V <sub>OM(DC)</sub> = 0.33 × V <sub>DD2</sub>	0.9	1.0	1.1		
		V <sub>OH(DC)</sub> = 0.5 × V <sub>DD2</sub>	0.9	1.0	1.3		
011b	80Ω	V <sub>OL(DC)</sub> = 0.1 × V <sub>DD2</sub>	0.8	1.0	1.1	R <sub>ZQ</sub> /3	1, 2
		V <sub>OM(DC)</sub> = 0.33 × V <sub>DD2</sub>	0.9	1.0	1.1		
		V <sub>OH(DC)</sub> = 0.5 × V <sub>DD2</sub>	0.9	1.0	1.3		
100b	60Ω	V <sub>OL(DC)</sub> = 0.1 × V <sub>DD2</sub>	0.8	1.0	1.1	R <sub>ZQ</sub> /4	1, 2
		V <sub>OM(DC)</sub> = 0.33 × V <sub>DD2</sub>	0.9	1.0	1.1		
		V <sub>OH(DC)</sub> = 0.5 × V <sub>DD2</sub>	0.9	1.0	1.3		
101b	48Ω	V <sub>OL(DC)</sub> = 0.1 × V <sub>DD2</sub>	0.8	1.0	1.1	R <sub>ZQ</sub> /5	1, 2
		V <sub>OM(DC)</sub> = 0.33 × V <sub>DD2</sub>	0.9	1.0	1.1		
		V <sub>OH(DC)</sub> = 0.5 × V <sub>DD2</sub>	0.9	1.0	1.3		
110b	40Ω	V <sub>OL(DC)</sub> = 0.1 × V <sub>DD2</sub>	0.8	1.0	1.1	R <sub>ZQ</sub> /6	1, 2
		V <sub>OM(DC)</sub> = 0.33 × V <sub>DD2</sub>	0.9	1.0	1.1		
		V <sub>OH(DC)</sub> = 0.5 × V <sub>DD2</sub>	0.9	1.0	1.3		
Mismatch, CA -CA within clock group		0.33 × V <sub>DD2</sub>	–	–	2	%	1, 2, 3

- Notes:
- The tolerance limits are specified after calibration with stable temperature and voltage. To understand the behavior of the tolerance limits when voltage or temperature changes after calibration, see the section on voltage and temperature sensitivity.
  - Pull-down ODT resistors are recommended to be calibrated at 0.33 × V<sub>DD2</sub>. Other calibration points may be required to achieve the linearity specification shown above, e.g. calibration at 0.5 × V<sub>DD2</sub> and 0.1 × V<sub>DD2</sub>.
  - CA to CA mismatch within clock group variation for a given component including CK<sub>t</sub>, CK<sub>c</sub>, and CS (characterized).

$$\text{CA-to-CA mismatch} = \frac{R_{\text{ODT}}(\text{MAX}) - R_{\text{ODT}}(\text{MIN})}{R_{\text{ODT}}(\text{AVG})}$$

**DQ On-Die Termination**

On-die termination (ODT) is a feature that allows the device to turn on/off termination resistance for each DQ, DQS, and DMI signal without the ODT control pin. The ODT



**149-Ball NAND Flash with LPDDR4/LPDDR4X MCP  
LPDDR4 1.10V V<sub>DDQ</sub>**

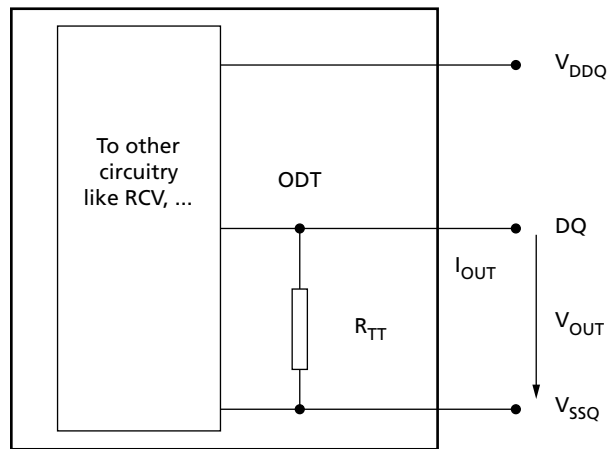
feature is designed to improve signal integrity of the memory channel by allowing the DRAM controller to turn on and off termination resistance for any target DRAM devices during WRITE or MASK WRITE operation.

The ODT feature is off and cannot be supported in power-down and self refresh modes.

The switch is enabled by the internal ODT control logic, which uses the WRITE-1 or MASK WRITE-1 command and other mode register control information. The value of R<sub>TT</sub> is determined by the MR bits.

$$R_{TT} = \frac{V_{OUT}}{|I_{OUT}|}$$

**Figure 253: Functional Representation of DQ ODT**



**Table 264: ODT DC Electrical Characteristics for DQ Bus– up to 3200 Mb/s**

R<sub>ZQ</sub> = 240Ω ±1% over entire operating range after calibration

MR11 OP[2:0]	R <sub>TT</sub>	V <sub>OUT</sub>	Min	Nom	Max	Unit	Notes
001b	240Ω	V <sub>OL(DC)</sub> = 0.1 × V <sub>DDQ</sub>	0.8	1.0	1.1	R <sub>ZQ</sub> /1	1, 2
		V <sub>OM(DC)</sub> = 0.33 × V <sub>DDQ</sub>	0.9	1.0	1.1		
		V <sub>OH(DC)</sub> = 0.5 × V <sub>DDQ</sub>	0.9	1.0	1.2		
010b	120Ω	V <sub>OL(DC)</sub> = 0.1 × V <sub>DDQ</sub>	0.8	1.0	1.1	R <sub>ZQ</sub> /2	1, 2
		V <sub>OM(DC)</sub> = 0.33 × V <sub>DDQ</sub>	0.9	1.0	1.1		
		V <sub>OH(DC)</sub> = 0.5 × V <sub>DDQ</sub>	0.9	1.0	1.2		
011b	80Ω	V <sub>OL(DC)</sub> = 0.1 × V <sub>DDQ</sub>	0.8	1.0	1.1	R <sub>ZQ</sub> /3	1, 2
		V <sub>OM(DC)</sub> = 0.33 × V <sub>DDQ</sub>	0.9	1.0	1.1		
		V <sub>OH(DC)</sub> = 0.5 × V <sub>DDQ</sub>	0.9	1.0	1.2		
100b	60Ω	V <sub>OL(DC)</sub> = 0.1 × V <sub>DDQ</sub>	0.8	1.0	1.1	R <sub>ZQ</sub> /4	1, 2
		V <sub>OM(DC)</sub> = 0.33 × V <sub>DDQ</sub>	0.9	1.0	1.1		
		V <sub>OH(DC)</sub> = 0.5 × V <sub>DDQ</sub>	0.9	1.0	1.2		



**149-Ball NAND Flash with LPDDR4/LPDDR4X MCP  
LPDDR4 1.10V V<sub>DDQ</sub>**

**Table 264: ODT DC Electrical Characteristics for DQ Bus– up to 3200 Mb/s (Continued)**

R<sub>ZQ</sub> = 240Ω ±1% over entire operating range after calibration

MR11 OP[2:0]	R <sub>TT</sub>	V <sub>OUT</sub>	Min	Nom	Max	Unit	Notes
101b	48Ω	V <sub>OL(DC)</sub> = 0.1 × V <sub>DDQ</sub>	0.8	1.0	1.1	R <sub>ZQ</sub> /5	1, 2
		V <sub>OM(DC)</sub> = 0.33 × V <sub>DDQ</sub>	0.9	1.0	1.1		
		V <sub>OH(DC)</sub> = 0.5 × V <sub>DDQ</sub>	0.9	1.0	1.2		
110b	40Ω	V <sub>OL(DC)</sub> = 0.1 × V <sub>DDQ</sub>	0.8	1.0	1.1	R <sub>ZQ</sub> /6	1, 2
		V <sub>OM(DC)</sub> = 0.33 × V <sub>DDQ</sub>	0.9	1.0	1.1		
		V <sub>OH(DC)</sub> = 0.5 × V <sub>DDQ</sub>	0.9	1.0	1.2		
Mismatch error, DQ-to-DQ within a channel		0.33 × V <sub>DDQ</sub>	–	–	2	%	1, 2, 3

- Notes:
1. The ODT tolerance limits are specified after calibration with stable temperature and voltage. To understand the behavior of the tolerance limits when voltage or temperature changes after calibration, see the following section on voltage and temperature sensitivity.
  2. Pull-down ODT resistors are recommended to be calibrated at 0.33 × V<sub>DDQ</sub>. Other calibration points may be required to achieve the linearity specification shown above, (for example, calibration at 0.5 × V<sub>DDQ</sub> and –0.1 × V<sub>DDQ</sub>).
  3. DQ-to-DQ mismatch within byte variation for a given component, including DQS (characterized).

$$\text{DQ-to-DQ mismatch} = \frac{R_{\text{ODT}}(\text{MAX}) - R_{\text{ODT}}(\text{MIN})}{R_{\text{ODT}}(\text{AVG})}$$

**Table 265: ODT DC Electrical Characteristics for DQ Bus – Beyond 3200 Mb/s**

R<sub>ZQ</sub> = 240Ω ±1% over entire operating range after calibration

MR11 OP[2:0]	R <sub>TT</sub>	V <sub>OUT</sub>	Min	Nom	Max	Unit	Notes
001b	240Ω	V <sub>OL(DC)</sub> = 0.1 × V <sub>DDQ</sub>	0.8	1.0	1.1	R <sub>ZQ</sub> /1	1, 2
		V <sub>OM(DC)</sub> = 0.33 × V <sub>DDQ</sub>	0.9	1.0	1.1		
		V <sub>OH(DC)</sub> = 0.5 × V <sub>DDQ</sub>	0.9	1.0	1.3		
010b	120Ω	V <sub>OL(DC)</sub> = 0.1 × V <sub>DDQ</sub>	0.8	1.0	1.1	R <sub>ZQ</sub> /2	1, 2
		V <sub>OM(DC)</sub> = 0.33 × V <sub>DDQ</sub>	0.9	1.0	1.1		
		V <sub>OH(DC)</sub> = 0.5 × V <sub>DDQ</sub>	0.9	1.0	1.3		
011b	80Ω	V <sub>OL(DC)</sub> = 0.1 × V <sub>DDQ</sub>	0.8	1.0	1.1	R <sub>ZQ</sub> /3	1, 2
		V <sub>OM(DC)</sub> = 0.33 × V <sub>DDQ</sub>	0.9	1.0	1.1		
		V <sub>OH(DC)</sub> = 0.5 × V <sub>DDQ</sub>	0.9	1.0	1.3		
100b	60Ω	V <sub>OL(DC)</sub> = 0.1 × V <sub>DDQ</sub>	0.8	1.0	1.1	R <sub>ZQ</sub> /4	1, 2
		V <sub>OM(DC)</sub> = 0.33 × V <sub>DDQ</sub>	0.9	1.0	1.1		
		V <sub>OH(DC)</sub> = 0.5 × V <sub>DDQ</sub>	0.9	1.0	1.3		
101b	48Ω	V <sub>OL(DC)</sub> = 0.1 × V <sub>DDQ</sub>	0.8	1.0	1.1	R <sub>ZQ</sub> /5	1, 2
		V <sub>OM(DC)</sub> = 0.33 × V <sub>DDQ</sub>	0.9	1.0	1.1		
		V <sub>OH(DC)</sub> = 0.5 × V <sub>DDQ</sub>	0.9	1.0	1.3		


**Table 265: ODT DC Electrical Characteristics for DQ Bus – Beyond 3200 Mb/s (Continued)**
 $R_{ZQ} = 240\Omega \pm 1\%$  over entire operating range after calibration

MR11 OP[2:0]	R <sub>TT</sub>	V <sub>OUT</sub>	Min	Nom	Max	Unit	Notes
110b	40 $\Omega$	$V_{OL(DC)} = 0.1 \times V_{DDQ}$	0.8	1.0	1.1	R <sub>ZQ</sub> /6	1, 2
		$V_{OM(DC)} = 0.33 \times V_{DDQ}$	0.9	1.0	1.1		
		$V_{OH(DC)} = 0.5 \times V_{DDQ}$	0.9	1.0	1.3		
Mismatch error, DQ-to-DQ within a channel		$0.33 \times V_{DDQ}$	–	–	2	%	1, 2, 3

- Notes:
- The ODT tolerance limits are specified after calibration with stable temperature and voltage. To understand the behavior of the tolerance limits when voltage or temperature changes after calibration, see the following section on voltage and temperature sensitivity.
  - Pull-down ODT resistors are recommended to be calibrated at  $0.33 \times V_{DDQ}$ . Other calibration points may be required to achieve the linearity specification shown above, for example, calibration at  $0.5 \times V_{DDQ}$  and  $-0.1 \times V_{DDQ}$ .
  - DQ-to-DQ mismatch within byte variation for a given component, including DQS (characterized).

$$\text{DQ-to-DQ mismatch} = \frac{R_{ODT}(\text{MAX}) - R_{ODT}(\text{MIN})}{R_{ODT}(\text{AVG})}$$

### Output Driver and Termination Register Temperature and Voltage Sensitivity

When temperature and/or voltage change after calibration, the tolerance limits are widened according to the tables below.

**Table 266: Output Driver and Termination Register Sensitivity Definition**

Resistor	Definition Point	Min	Max	Unit	Notes
R <sub>ONPD</sub>	$0.33 \times V_{DDQ}$	$90 - (dR_{ONdT} \cdot  \Delta T ) - (dR_{ONdV} \cdot  \Delta V )$	$110 + (dR_{ONdT} \cdot  \Delta T ) + (dR_{ONdV} \cdot  \Delta V )$	%	1, 2
V <sub>OHPU</sub>	$0.33 \times V_{DDQ}$	$90 - (dV_{OHdT} \cdot  \Delta T ) - (dV_{OHdV} \cdot  \Delta V )$	$110 + (dV_{OHdT} \cdot  \Delta T ) + (dV_{OHdV} \cdot  \Delta V )$		1, 2, 5
R <sub>TT(I/O)</sub>	$0.33 \times V_{DDQ}$	$90 - (dR_{ONdT} \cdot  \Delta T ) - (dR_{ONdV} \cdot  \Delta V )$	$110 + (dR_{ONdT} \cdot  \Delta T ) + (dR_{ONdV} \cdot  \Delta V )$		1, 2, 3
R <sub>TT(IN)</sub>	$0.33 \times V_{DD2}$	$90 - (dR_{ONdT} \cdot  \Delta T ) - (dR_{ONdV} \cdot  \Delta V )$	$110 + (dR_{ONdT} \cdot  \Delta T ) + (dR_{ONdV} \cdot  \Delta V )$		1, 2, 4

- Notes:
- $\Delta T = T - T(\text{@calibration})$ ,  $\Delta V = V - V(\text{@calibration})$
  - $dR_{ONdT}$ ,  $dR_{ONdV}$ ,  $dV_{OHdT}$ ,  $dV_{OHdV}$ ,  $dR_{TTdV}$ , and  $dR_{TTdT}$  are not subject to production test but are verified by design and characterization.
  - This parameter applies to input/output pin such as DQS, DQ, and DMI.
  - This parameter applies to input pin such as CK, CA, and CS.
  - Refer to Pull-up/Pull-down Driver Characteristics for V<sub>OHPU</sub>.

**Table 267: Output Driver and Termination Register Temperature and Voltage Sensitivity**

Symbol	Parameter	Min	Max	Unit
$dR_{ONdT}$	R <sub>ON</sub> temperature sensitivity	0	0.75	%/°C
$dR_{ONdV}$	R <sub>ON</sub> voltage sensitivity	0	0.20	%/mV



## 149-Ball NAND Flash with LPDDR4/LPDDR4X MCP LPDDR4 1.10V V<sub>DDQ</sub>

**Table 267: Output Driver and Termination Register Temperature and Voltage Sensitivity (Continued)**

Symbol	Parameter	Min	Max	Unit
dV <sub>OHdT</sub>	V <sub>OH</sub> temperature sensitivity	0	0.75	%/°C
dV <sub>OHdV</sub>	V <sub>OH</sub> voltage sensitivity	0	0.35	%/mV
dR <sub>TTdT</sub>	R <sub>TT</sub> temperature sensitivity	0	0.75	%/°C
dR <sub>TTdV</sub>	R <sub>TT</sub> voltage sensitivity	0	0.20	%/mV

### AC and DC Operating Conditions - LPDDR4

#### Recommended DC Operating Conditions

Operation or timing that is not specified is illegal. To ensure proper operation, the device must be initialized properly.

**Table 268: Recommended DC Operating Conditions**

Symbol	Min	Typ	Max	DRAM	Unit	Notes
V <sub>DD1</sub>	1.7	1.8	1.95	Core 1 power	V	1, 2
V <sub>DD2</sub>	1.06	1.1	1.17	Core 2 power/Input buffer power	V	1, 2, 3
V <sub>DDQ</sub>	1.06	1.1	1.17	I/O buffer power	V	2, 3

- Notes:
1. V<sub>DD1</sub> uses significantly less power than V<sub>DD2</sub>.
  2. The voltage range is for DC voltage only. DC voltage is the voltage supplied at the DRAM and is inclusive of all noise up to 20 MHz at the DRAM package ball.
  3. The voltage noise tolerance from DC to 20 MHz exceeding a peak-to-peak tolerance of 45mV at the DRAM ball is not included in the TdIVW.

### Output Slew Rate and Overshoot/Undershoot specifications - LPDDR4

#### Single-Ended Output Slew Rate

**Table 269: Single-Ended Output Slew Rate**

Note 1-5 applies to entire table

Parameter	Symbol	Value		Units
		Min	Max	
Single-ended output slew rate (V <sub>OH</sub> = V <sub>DDQ</sub> /3)	SRQ <sub>se</sub>	3.5	9.0	V/ns
Output slew rate matching ratio (rise to fall)	–	0.8	1.2	–

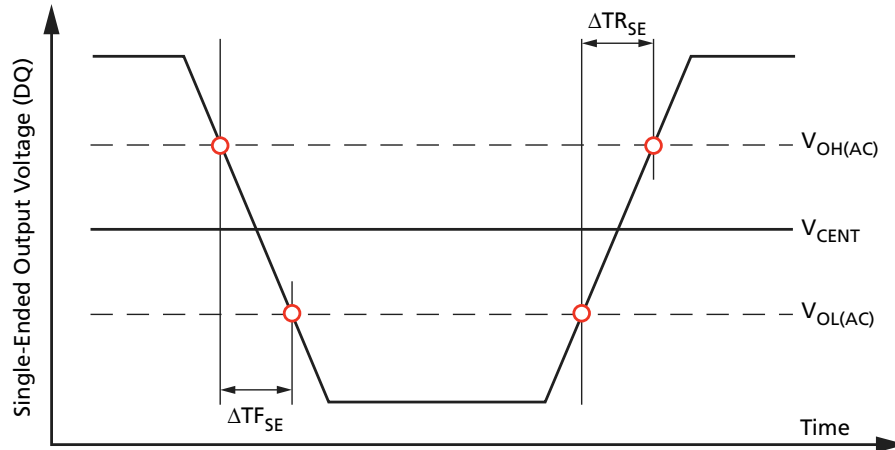
- Notes:
1. SR = Slew rate; Q = Query output; se = Single-ended signal
  2. Measured with output reference load.
  3. The ratio of pull-up to pull-down slew rate is specified for the same temperature and voltage, over the entire temperature and voltage range. For a given output, it represents the maximum difference between pull-up and pull-down drivers due to process variation.
  4. The output slew rate for falling and rising edges is defined and measured between V<sub>OL(AC)</sub> = 0.2 × V<sub>OH(DC)</sub> and V<sub>OH(AC)</sub> = 0.8 × V<sub>OH(DC)</sub>.



**149-Ball NAND Flash with LPDDR4/LPDDR4X MCP  
LPDDR4 1.10V V<sub>DDQ</sub>**

- Slew rates are measured under average SSO conditions with 50% of the DQ signals per data byte switching.

**Figure 254: Single-Ended Output Slew Rate Definition**



**Differential Output Slew Rate**

**Table 270: Differential Output Slew Rate**

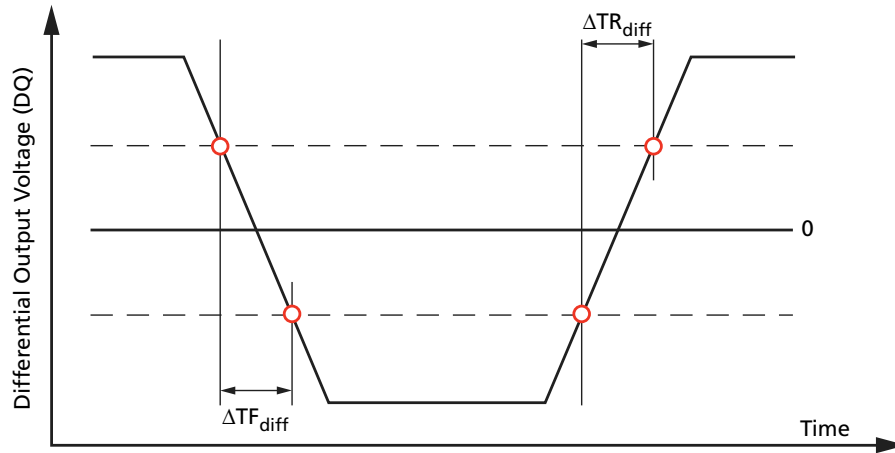
Note 1-4 applies to entire table

Parameter	Symbol	Value		Units
		Min	Max	
Differential output slew rate ( $V_{OH} = V_{DDQ}/3$ )	SRQdiff	7	18	V/ns

- Notes:
- SR = Slew rate; Q = Query output; se = Differential signal
  - Measured with output reference load.
  - The output slew rate for falling and rising edges is defined and measured between  $V_{OL(AC)} = -0.8 \times V_{OH(DC)}$  and  $V_{OH(AC)} = 0.8 \times V_{OH(DC)}$ .
  - Slew rates are measured under average SSO conditions with 50% of the DQ signals per data byte switching.



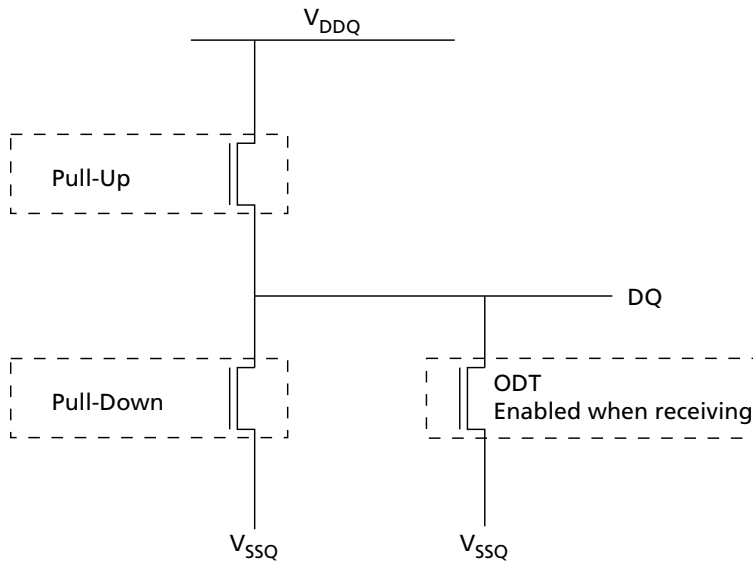
Figure 255: Differential Output Slew Rate Definition



### LVSTL I/O System - LPDDR4

LVSTL I/O cells are comprised of a driver pull-up and pull-down and a terminator.

Figure 256: LVSTL I/O Cell



To ensure that the target impedance is achieved, calibrate the LVSTL I/O cell as following example:

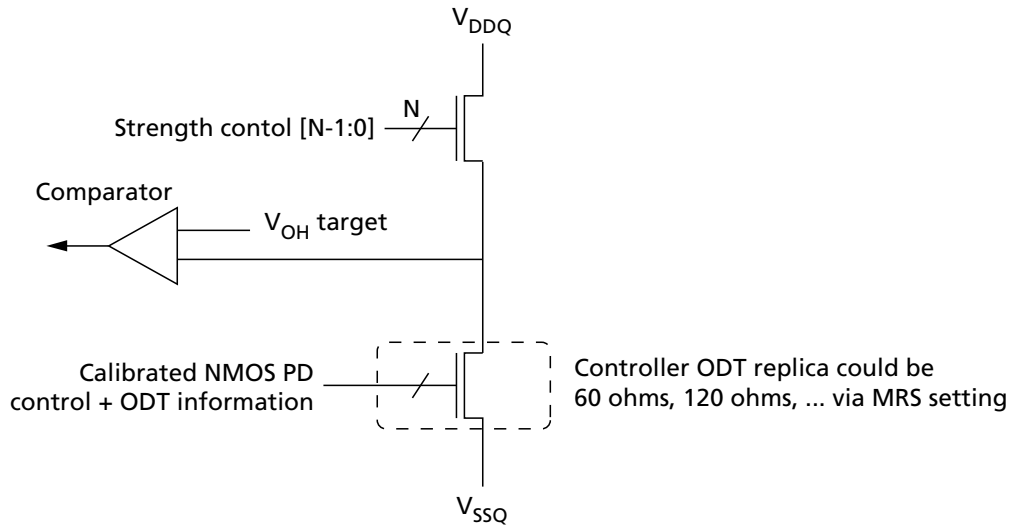
1. Calibrate the pull-down device against a 240 ohm resistor to  $V_{DDQ}$  via the ZQ pin.
  - Set strength control to minimum setting
  - Increase drive strength until comparator detects data bit is less than  $V_{DDQ}/3$
  - NMOS pull-down device is calibrated to 120 ohms
2. Calibrate the pull-up device against the calibrated pull-down device.



**149-Ball NAND Flash with LPDDR4/LPDDR4X MCP  
LPDDR4 1.10V  $V_{DDQ}$**

- Set  $V_{OH}$  target and NMOS controller ODT replica via MRS ( $V_{OH}$  can be automatically controlled by ODT MRS)
- Set strength control to minimum setting
- Increase drive strength until comparator detects data bit is greater than  $V_{OH}$  target
- NMOS pull-up device is calibrated to  $V_{OH}$  target

**Figure 257: Pull-Up Calibration**







## Revision History

### Rev. F, Production – 3/2020

- Added -046 speed grade for clock frequency 2133 MHz
- Removed automotive temperature range specification

### Rev. E, Production – 4/19

- Added AT temperature range
- Added AIT and AAT MPNs
- Added LPDDR4 1.10V<sub>V<sub>DDQ</sub></sub> section
- Added a reference to Automotive Certification AEC-Q100 in Features

### Rev. D, Production – 7/18

- Updated legal status to Production
- Added Important Notes and Warnings section for further clarification aligning to industry standards

### Rev. C, Preliminary – 11/17

- Added NAND section for M70A
- Added LPDRAM section for Z00M

### Rev. B, Advanced – 6/17

- Changed MPN for Operating Voltage Range for VDDQ to 0.6v

### Rev. A, Advanced – 4/17

- Initial release.

8000 S. Federal Way, P.O. Box 6, Boise, ID 83707-0006, Tel: 208-368-4000  
[www.micron.com/products/support](http://www.micron.com/products/support) Sales inquiries: 800-932-4992  
 Micron and the Micron logo are trademarks of Micron Technology, Inc.  
 All other trademarks are the property of their respective owners.

This data sheet contains minimum and maximum limits specified over the power supply and temperature range set forth herein. Although considered final, these specifications are subject to change, as further product development and data characterization sometimes occur.

## X-ON Electronics

Largest Supplier of Electrical and Electronic Components

*Click to view similar products for [Multichip Packages](#) category:*

*Click to view products by [Micron](#) manufacturer:*

Other Similar products are found below :

[S71VS064RB0AHT4L0](#) [S71VS128RC0AHKCL0](#) [MT29GZ5A3BPGGA-53AIT.87K TR](#) [MT29GZ5A3BPGGA-53AAT.87K](#)  
[MT29GZ5A3BPGGA-53IT.87K](#) [MT29GZ5A5BPGGA-53IT.87J](#) [MT29GZ5A5BPGGA-53AAT.87J](#) [MT29RZ2B2DZZHHTB-18I.88F TR](#)  
[MT29C4G48MAZBBAKS-48 IT TR](#) [MT29RZ4B4DZZMGWD-18I.80C TR](#) [MT29RZ2B1DZZHGWD-18I.83G TR](#) [IS71LD32160WP128-](#)  
[25BPLI](#) [S71KL512SC0BHV000](#) [48LM01-I/SM](#) [MT29C1G12MAAJVAMD-5 IT TR](#) [MT29C2G24MAAAAKAKD-5 IT TR](#)  
[MT29C2G24MAABAHAMD-5 IT TR](#) [MT29C4G48MAYBBAKS-48 IT](#) [MT29C4G48MAZBBAKB-48 IT](#) [MT29C4G48MAZBBAKB-48 IT](#)  
[TR](#) [MT29C4G48MAZBBAKS-48 IT](#) [MT29RZ4B2DZZHHTB-18I.80F TR](#) [MT29RZ4B2DZZHHWD-18I.84F TR](#) [W25M512JVFIQ](#)  
[S71KL256SC0BHB000](#) [S71KS512SC0BHV000](#) [H26M41204HPR](#) [W25M161AVEIT](#) [W25M512JVBIQ](#) [W25M512JVEIQ](#) [W25M512JVEIQ](#)  
[TR](#) [W25M161AWEIT](#)