



e.MMC Memory

MTFC8GAM, MTFC16GAP, MTFC32GAP, MTFC64GAP, MTFC128GAP

Features

- MultiMediaCard (MMC) controller and NAND Flash
- JEDEC/MMC standard version 5.1-compliant (JEDEC Standard No. JESD84-B51)¹
 - V_{CC}: 2.7–3.6V
 - V_{CCQ} (dual voltage): 1.70–1.95V; 2.7–3.6V
 - Advanced 12-signal interface
 - ×1, ×4, and ×8 I/Os, selectable by host
 - e.MMC I/F boot frequency: 0 to 52 MHz
 - e.MMC I/F clock frequency: 0 to 200 MHz
 - HS200/HS400 mode
 - Command classes: class 0 (basic); class 2 (block read); class 4 (block write); class 5 (erase); class 6 (write protection); class 7 (lock card)
 - Command queue
 - BKOPS control
 - Temporary write protection
 - Boot operation (high-speed boot)
 - Sleep mode
 - Replay-protected memory block (RPMB)
 - Hardware reset signal
 - Multiple partitions with enhanced attribute
 - Permanent and power-on write protection
 - High-priority interrupt (HPI)
 - Data strobe pin
 - Field firmware update (FFU)
 - Device health report
 - Sleep notification
 - Background operation
 - Reliable write
 - Discard and sanitize
 - Power-off notification
 - Backward compatible with previous MMC
 - ECC and block management implemented

Options

- Density
 - 8GB
 - 16GB
 - 32GB
 - 64GB
 - 128GB
- NAND component
 - 64Gb
 - 128Gb
- Controller
- Packages – JEDEC-standard, RoHS-compliant
 - 100-ball TBGA
 - 153-ball TFBGA
 - 153-ball TFBGA
- Operating temperature range
 - From –40°C to +85°C
 - From –40°C to +105°C

Marking

8G
16G
32G
64G
128G
AM
AP
AL
NA
BH
NS
AIT
AAT

Note: 1. The JEDEC specification is available at www.jedec.org/sites/default/files/docs/JESD84-B51.pdf.



8GB, 16GB, 32GB, 64GB, 128GB: e.MMC (Automotive) Features

Part Numbering Information

Micron® e.MMC memory devices are available in different configurations and densities.

Figure 1: e.MMC Part Numbering

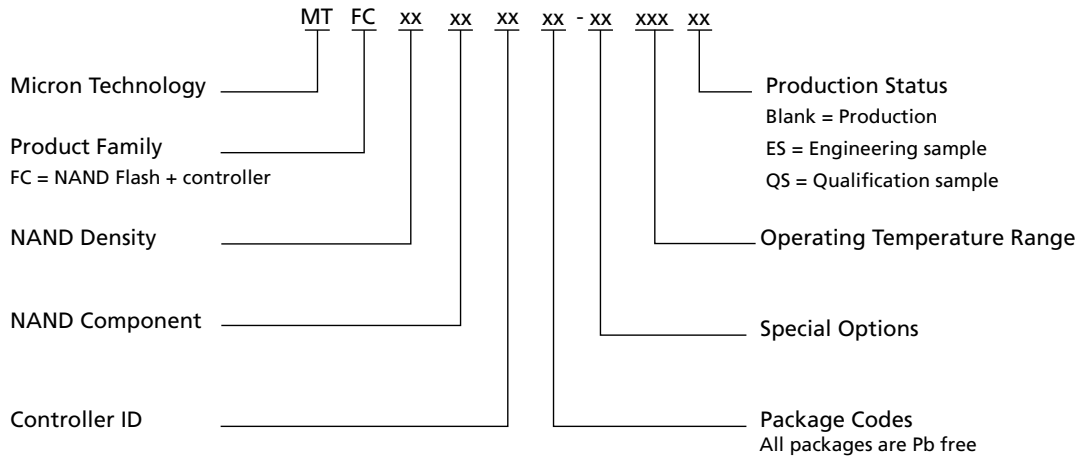


Table 1: Ordering Information

Base Part Number	Density	Package	Shipping
MTFC8GAMALBH-AIT	8GB	153-ball TFBGA	Tray
MTFC8GAMALBH-AAT		11.5mm × 13mm × 1.1mm	Tape and reel
MTFC8GAMALNA-AIT	8GB	100-ball TBGA	Tray
MTFC8GAMALNA-AAT		14mm × 18mm × 1.2mm	Tape and reel
MTFC16GAPALBH-AIT	16GB	153-ball TFBGA	Tray
MTFC16GAPALBH-AAT		11.5mm × 13mm × 1.1mm	Tape and reel
MTFC16GAPALNA-AIT	16GB	100-ball TBGA	Tray
MTFC16GAPALNA-AAT		14mm × 18mm × 1.2mm	Tape and reel
MTFC32GAPALBH-AIT	32GB	153-ball TFBGA	Tray
MTFC32GAPALBH-AAT		11.5mm × 13mm × 1.1mm	Tape and reel
MTFC32GAPALNA-AIT	32GB	100-ball TBGA	Tray
MTFC32GAPALNA-AAT		14mm × 18mm × 1.2mm	Tape and reel
MTFC64GAPALBH-AIT	64GB	153-ball TFBGA	Tray
MTFC64GAPALBH-AAT		11.5mm × 13mm × 1.1mm	Tape and reel
MTFC64GAPALNA-AIT	64GB	100-ball TBGA	Tray
MTFC64GAPALNA-AAT		14mm × 18mm × 1.2mm	Tape and reel
MTFC128GAPALNS-AIT	128GB	153-ball TFBGA	Tray
MTFC128GAPALNS-AAT		11.5mm × 13mm × 1.2mm	Tape and reel
MTFC128GAPALNA-AIT	128GB	100-ball TBGA	Tray
MTFC128GAPALNA-AAT		14mm × 18mm × 1.2mm	Tape and reel



Device Marking

Due to the size of the package, the Micron-standard part number is not printed on the top of the device. Instead, an abbreviated device mark consisting of a 5-digit alphanumeric code is used. The abbreviated device marks are cross-referenced to the Micron part numbers at the FBGA Part Marking Decoder site: www.micron.com/decoder.

e.MMC Performance

Performance in the following tables are retrieved with these conditions: Bus in x8 I/O. Temperature 25°C. Sequential access of 512KB chunk, cache ON (write), Command queueing enabled with queue depth 8 commands in HS400. Additional performance data, such as system performance on a specific application board, will be provided in a separate document upon customer request.

Table 2: HS400 Performance

Condition	Typical Values			Unit
	8GB	16GB	32/64/128GB	
Sequential write	40	60	120	MB/s
Sequential read	280	320	320	MB/s

Table 3: HS200 Performance

Condition	Typical Values			Unit
	8GB	16GB	32/64/128GB	
Sequential write	40	60	100	MB/s
Sequential read	180	180	180	MB/s

e.MMC Current Consumption

Current consumption in the following tables are retrieved with these conditions: Bus in x8 I/O. $V_{CC} = 3.6V$ and $V_{CCQ} = 1.95V$. Temperature 25°C. Measurements done as average RMS current consumption. I_{CCQ} in READ operation measurements with tester load disconnected.

Table 4: HS400 Current Consumption

Condition	Typical Values (I_{CC}/I_{CCQ})					Unit
	8GB	16GB	32GB	64GB	128GB	
Write ¹	60/90	60/90	110/90	110/90	110/90	mA
Read ¹	100/140	120/140	120/140	120/140	150/140	mA
Sleep	0/100	0/100	0/100	0/100	0/100	μA
Auto-standby	60/110	80/110	80/110	120/110	250/110	μA

Note: 1. Command Queueing enabled with queue depth 8 commands.



8GB, 16GB, 32GB, 64GB, 128GB: e.MMC (Automotive) Features

Table 5: HS200 Current Consumption

Condition	Typical Values (I_{CC}/I_{CCQ})					Unit
	8GB	16GB	32GB	64GB	128GB	
Write	50/80	50/80	100/80	100/80	100/80	mA
Read	70/110	80/110	80/110	80/110	90/110	mA
Sleep	0/100	0/100	0/100	0/100	0/100	μ A
Auto-standby	60/110	80/110	80/110	120/110	250/110	μ A



Important Notes and Warnings

Micron Technology, Inc. ("Micron") reserves the right to make changes to information published in this document, including without limitation specifications and product descriptions. This document supersedes and replaces all information supplied prior to the publication hereof. You may not rely on any information set forth in this document if you obtain the product described herein from any unauthorized distributor or other source not authorized by Micron.

Automotive Applications. Products are not designed or intended for use in automotive applications unless specifically designated by Micron as automotive-grade by their respective data sheets. Distributor and customer/distributor shall assume the sole risk and liability for and shall indemnify and hold Micron harmless against all claims, costs, damages, and expenses and reasonable attorneys' fees arising out of, directly or indirectly, any claim of product liability, personal injury, death, or property damage resulting directly or indirectly from any use of non-automotive-grade products in automotive applications. Customer/distributor shall ensure that the terms and conditions of sale between customer/distributor and any customer of distributor/customer (1) state that Micron products are not designed or intended for use in automotive applications unless specifically designated by Micron as automotive-grade by their respective data sheets and (2) require such customer of distributor/customer to indemnify and hold Micron harmless against all claims, costs, damages, and expenses and reasonable attorneys' fees arising out of, directly or indirectly, any claim of product liability, personal injury, death, or property damage resulting from any use of non-automotive-grade products in automotive applications.

Critical Applications. Products are not authorized for use in applications in which failure of the Micron component could result, directly or indirectly in death, personal injury, or severe property or environmental damage ("Critical Applications"). Customer must protect against death, personal injury, and severe property and environmental damage by incorporating safety design measures into customer's applications to ensure that failure of the Micron component will not result in such harms. Should customer or distributor purchase, use, or sell any Micron component for any critical application, customer and distributor shall indemnify and hold harmless Micron and its subsidiaries, subcontractors, and affiliates and the directors, officers, and employees of each against all claims, costs, damages, and expenses and reasonable attorneys' fees arising out of, directly or indirectly, any claim of product liability, personal injury, or death arising in any way out of such critical application, whether or not Micron or its subsidiaries, subcontractors, or affiliates were negligent in the design, manufacture, or warning of the Micron product.

Customer Responsibility. Customers are responsible for the design, manufacture, and operation of their systems, applications, and products using Micron products. ALL SEMICONDUCTOR PRODUCTS HAVE INHERENT FAILURE RATES AND LIMITED USEFUL LIVES. IT IS THE CUSTOMER'S SOLE RESPONSIBILITY TO DETERMINE WHETHER THE MICRON PRODUCT IS SUITABLE AND FIT FOR THE CUSTOMER'S SYSTEM, APPLICATION, OR PRODUCT. Customers must ensure that adequate design, manufacturing, and operating safeguards are included in customer's applications and products to eliminate the risk that personal injury, death, or severe property or environmental damages will result from failure of any semiconductor component.

Limited Warranty. In no event shall Micron be liable for any indirect, incidental, punitive, special or consequential damages (including without limitation lost profits, lost savings, business interruption, costs related to the removal or replacement of any products or rework charges) whether or not such damages are based on tort, warranty, breach of contract or other legal theory, unless explicitly stated in a written agreement executed by Micron's duly authorized representative.



8GB, 16GB, 32GB, 64GB, 128GB: e.MMC (Automotive) General Description

General Description

Micron e.MMC is a communication and mass data storage device that includes a Multi-MediaCard (MMC) interface, a NAND Flash component, and a controller on an advanced 12-signal bus, which is compliant with the MMC system specification. Its cost per bit, small package sizes, and high reliability make it an ideal choice for automotive applications, including information and entertainment, navigation tools, advanced driving assistance systems, and a variety of other industrial and portable products.

The nonvolatile e.MMC draws no power to maintain stored data, delivers high performance across a wide range of operating temperatures, and resists shock and vibration disruption.



Signal Descriptions

Table 6: Signal Descriptions

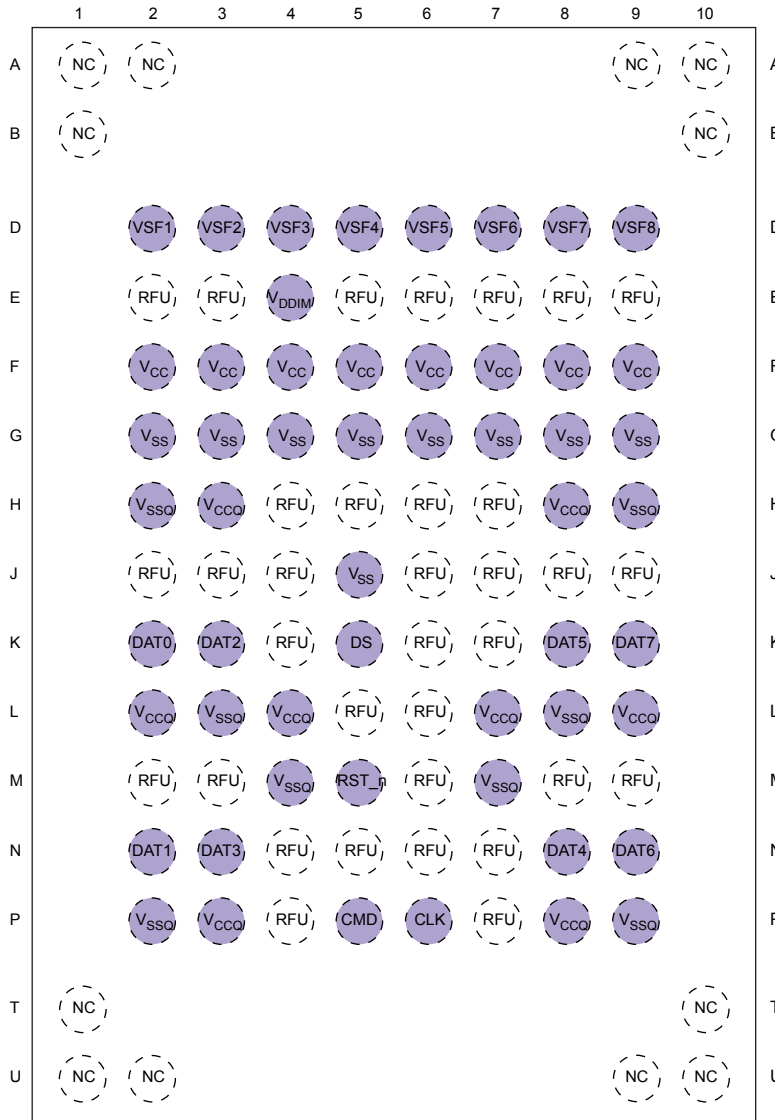
Symbol	Type	Description
CLK	Input	Clock: Each cycle of the clock directs a transfer on the command line and on the data line(s). The frequency can vary between the minimum and the maximum clock frequency.
RST_n	Input	Reset: The RST_n signal is used by the host for resetting the device, moving the device to the pre-idle state. By default, the RST_n signal is temporarily disabled in the device. The host must set ECSD register byte 162, bits[1:0] to 0x1 to enable this functionality before the host can use it.
CMD	I/O	Command: This signal is a bidirectional command channel used for command and response transfers. The CMD signal has two bus modes: open-drain mode and push-pull mode (see Operating Modes). Commands are sent from the MMC host to the device, and responses are sent from the device to the host.
DAT[7:0]	I/O	Data I/O: These are bidirectional data signals. The DAT signals operate in push-pull mode. By default, after power-on or assertion of the RST_n signal, only DAT0 is used for data transfer. The MMC controller can configure a wider data bus for data transfer either using DAT[3:0] (4-bit mode) or DAT[7:0] (8-bit mode). e-MMC includes internal pull-up resistors for data lines DAT[7:1]. Immediately after entering the 4-bit mode, the device disconnects the internal pull-up resistors on the DAT[3:1] lines. Upon entering the 8-bit mode, the device disconnects the internal pull-ups on the DAT[7:1] lines.
DS	Output	Data strobe: Generated by the device and used for data output and CRC status response output in HS400 mode. The frequency of this signal follows the frequency of CLK. For data output, each cycle of this signal directs two bits transfer (2x) on the data, one bit for the positive edge and the other bit for the negative edge. For CRC status response output, the CRC status is latched on the positive edge only, and is "Don't Care" on the negative edge.
VSF[7:1]	Input/output	Vendor specific function: VSF1, VSF2, VSF3, VSF4, VSF5, VSF6, and VSF7 are internally connected.
V _{CC}	Supply	V _{CC} : NAND interface (I/F) I/O and NAND Flash power supply.
V _{CCQ}	Supply	V _{CCQ} : e-MMC controller core and e-MMC I/F I/O power supply.
V _{SS} ¹	Supply	V _{SS} : NAND I/F I/O and NAND Flash ground connection.
V _{SSQ} ¹	Supply	V _{SSQ} : e-MMC controller core and e-MMC I/F ground connection.
V _{DDIM}		Internal voltage node: At least a 0.1µF capacitor is required to connect V _{DDIM} to ground. A 1µF capacitor is recommended. Do not tie to supply voltage or ground.
NC	–	No connect: No internal connection is present.
RFU	–	Reserved for future use: No internal connection is present. Leave it floating externally.

Note: 1. V_{SS} and V_{SSQ} are connected internally.



100-Ball Signal Assignments

Figure 2: 100 Ball (Top View, Ball Down)



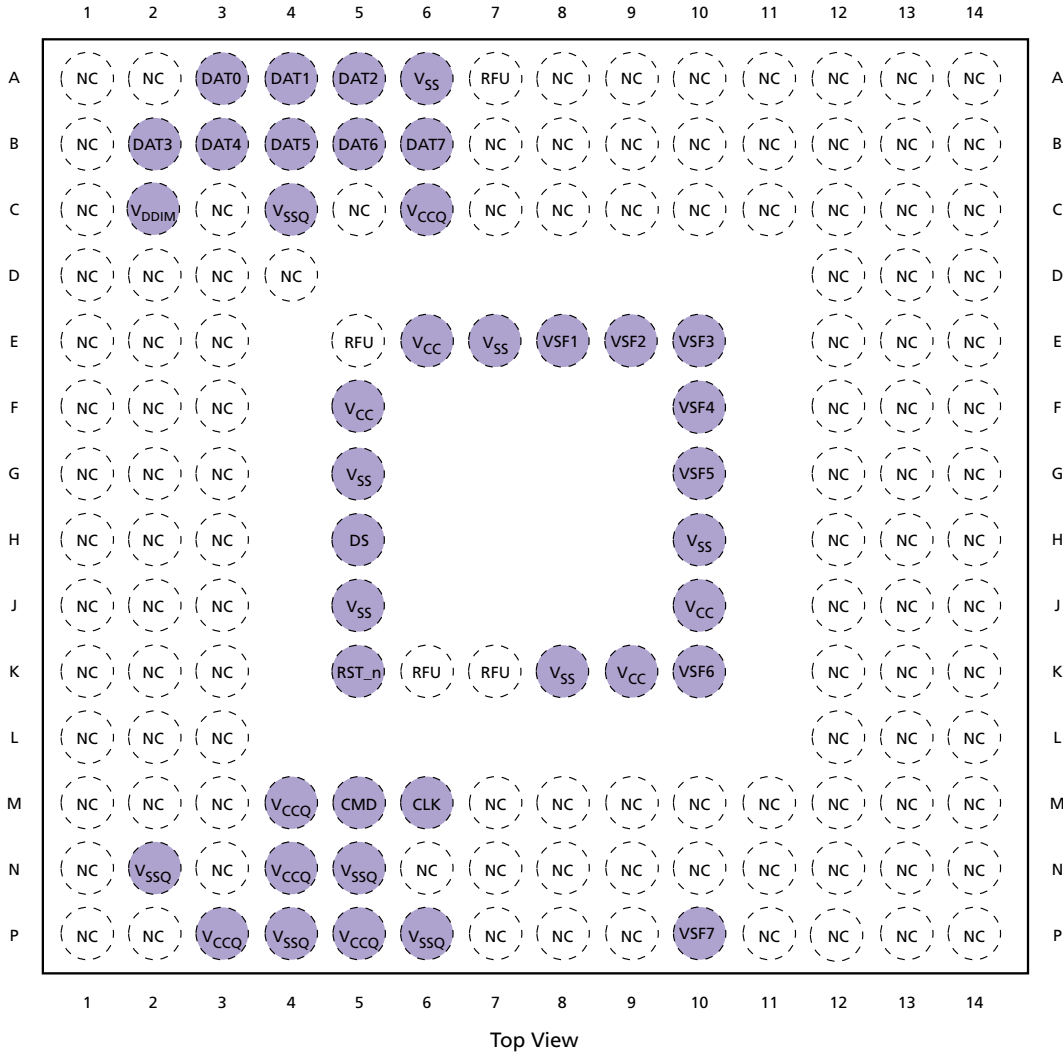
- Notes:
1. Connect a 1 μ F decoupling capacitor from V_{DDIM} to ground.
 2. Some previous versions of the JEDEC product or mechanical specification had defined reserved for future use (RFU) balls as no connect (NC) balls. NC balls assigned in the previous specifications could have been connected to ground on the system board. To enable new feature introduction, some of these balls are assigned as RFU in the v4.4 mechanical specification. Any new PCB footprint implementations should use the new ball assignments and leave the RFU balls floating on the system board.
 3. V_{CC}, V_{CCQ}, V_{SS}, and V_{SSQ} balls must all be connected on the system board.



**8GB, 16GB, 32GB, 64GB, 128GB: e.MMC (Automotive)
153-Ball Signal Assignments**

153-Ball Signal Assignments

Figure 3: 153 Ball (Top View, Ball Down)



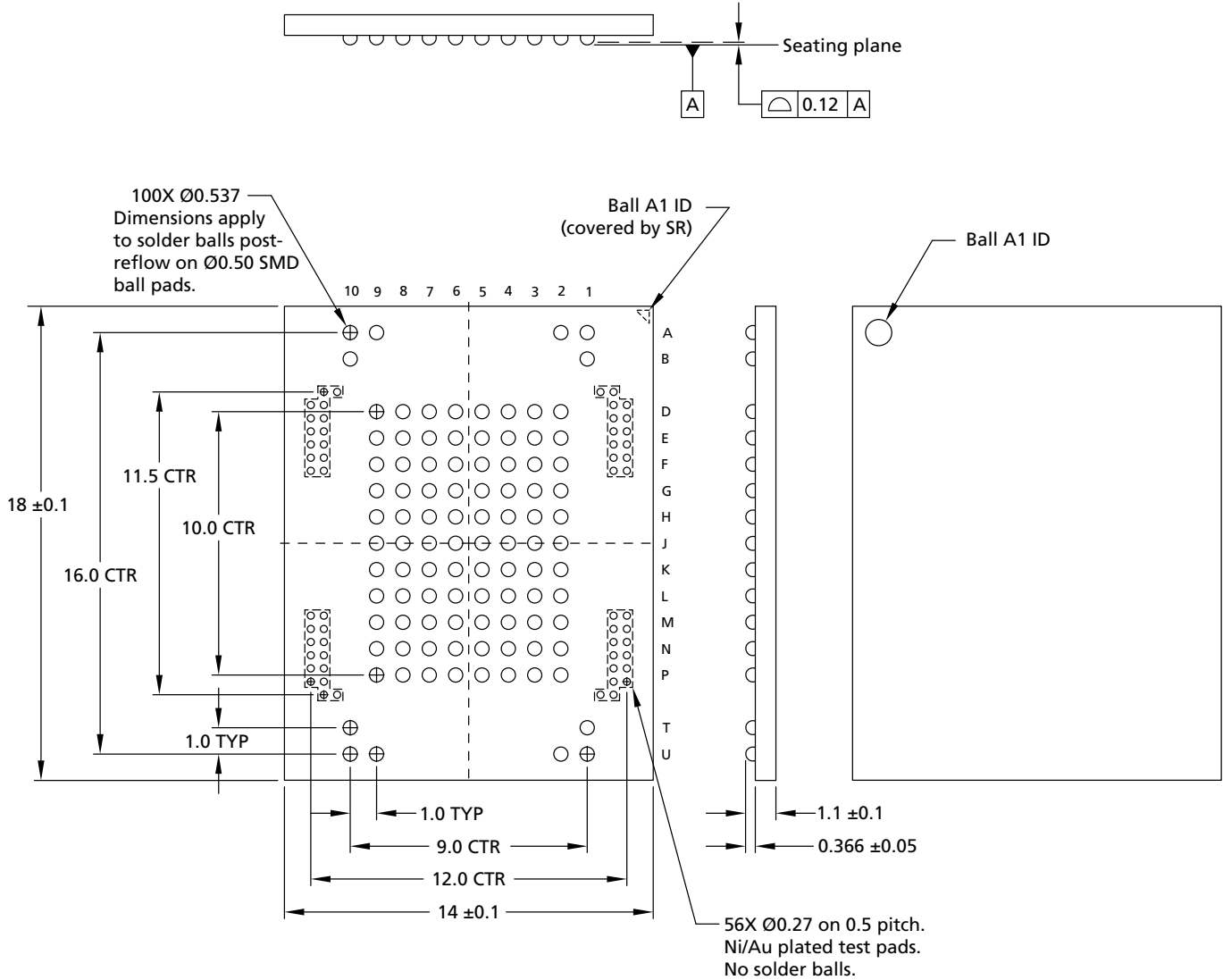
- Notes:
1. Some previous versions of the JEDEC product or mechanical specification had defined reserved for future use (RFU) balls as no connect (NC) balls. NC balls assigned in the previous specifications could have been connected to ground on the system board. To enable new feature introduction, some of these balls are assigned as RFU in the v4.4 mechanical specification. Any new PCB footprint implementations should use the new ball assignments and leave the RFU balls floating on the system board.
 2. VCC, VCCQ, VSS, and VSSQ balls must all be connected on the system board.



**8GB, 16GB, 32GB, 64GB, 128GB: e.MMC (Automotive)
Package Dimensions**

Package Dimensions

Figure 4: 100-Ball TBGA – 14mm x 18mm x 1.2mm (Package Code NA)

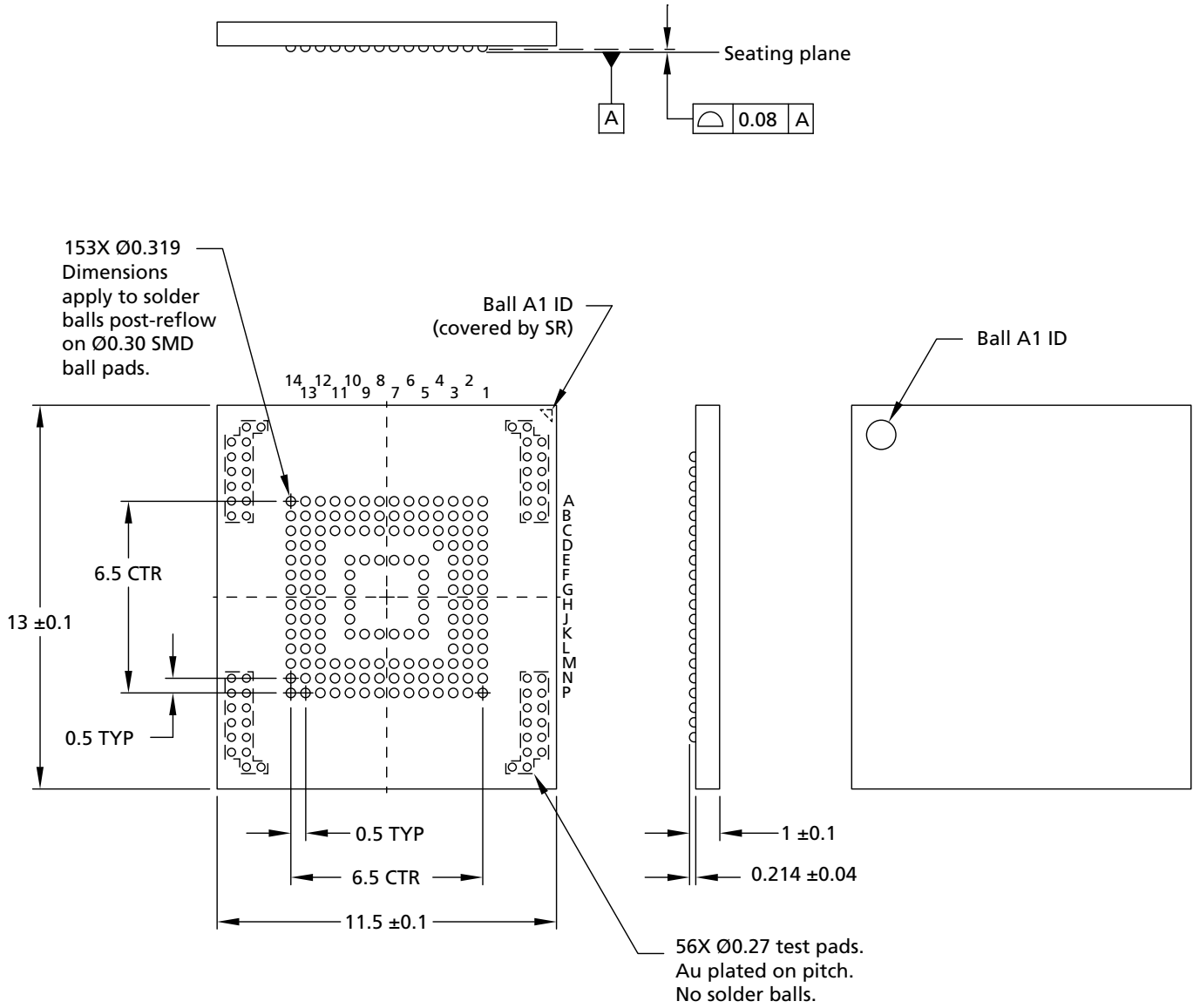


Note: 1. Dimensions are in millimeters.



**8GB, 16GB, 32GB, 64GB, 128GB: e.MMC (Automotive)
Package Dimensions**

Figure 5: 153-Ball TFBGA – 11.5mm x 13.0mm x 1.1mm (Package Code BH)

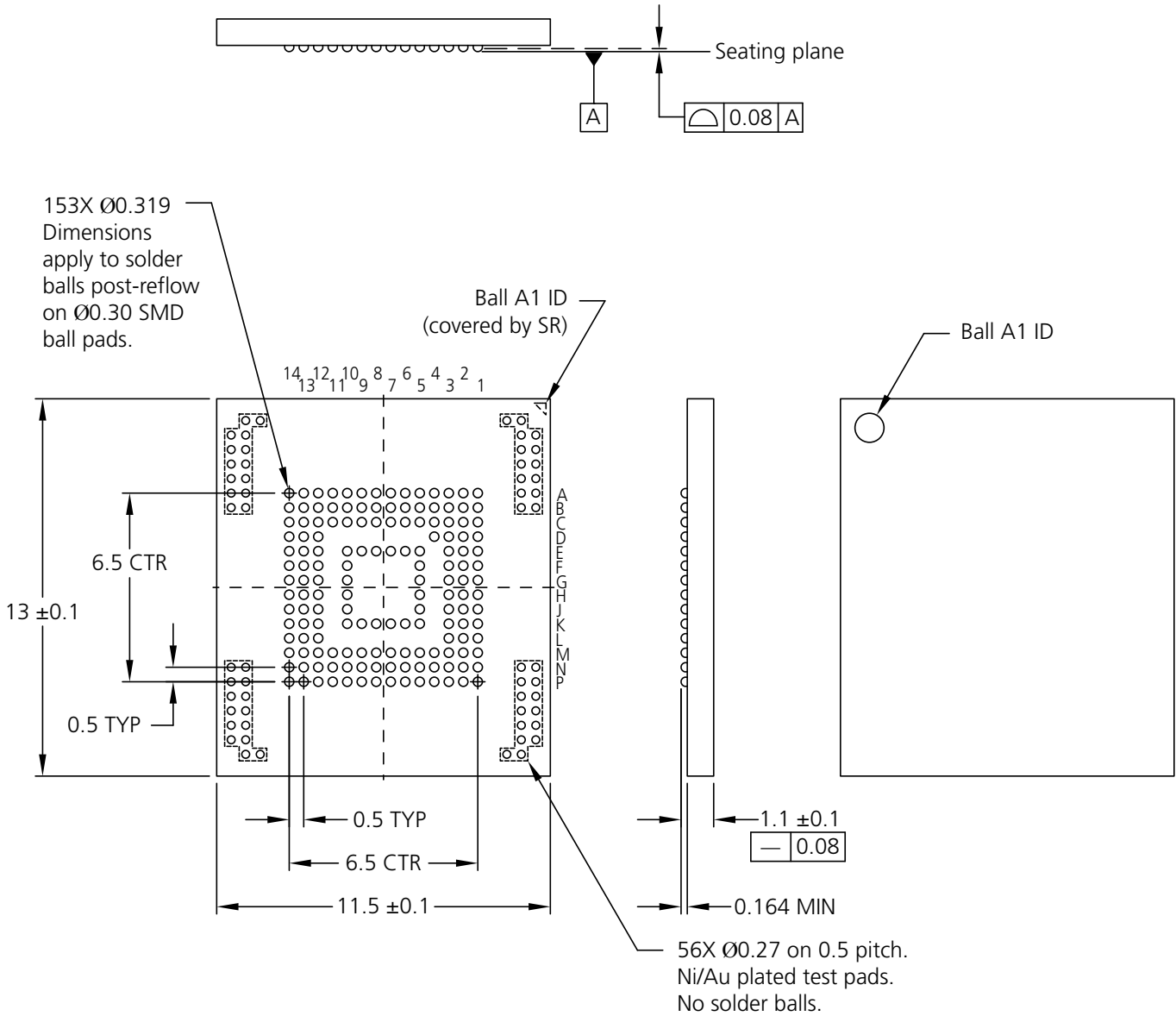


Note: 1. Dimensions are in millimeters.



**8GB, 16GB, 32GB, 64GB, 128GB: e.MMC (Automotive)
Package Dimensions**

Figure 6: 153-Ball TFBGA – 11.5mm x 13.0mm x 1.2mm (Package Code NS)

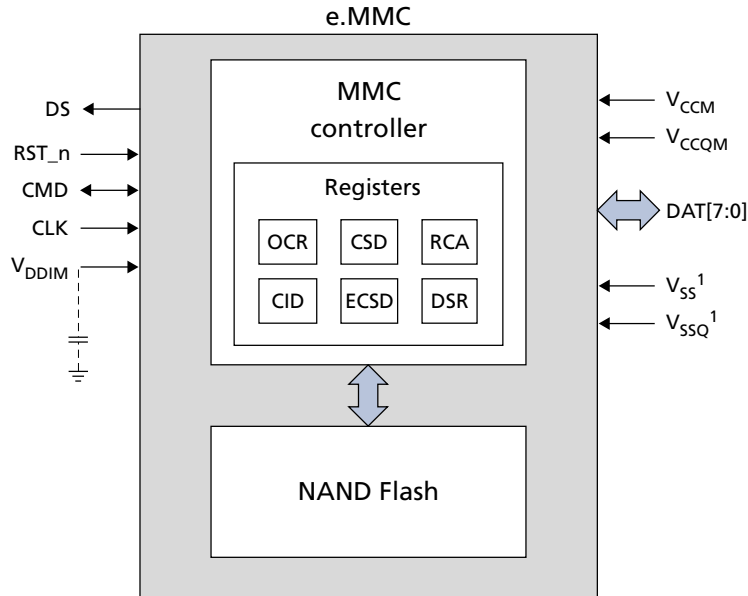


Note: 1. Dimensions are in millimeters.



Architecture

Figure 7: e.MMC Functional Block Diagram



Note: 1. V_{SS} and V_{SSQ} are internally connected.

MMC Protocol Independent of NAND Flash Technology

The MMC specification defines the communication protocol between a host and a device. The protocol is independent of the NAND flash features included in the device. The device has an intelligent on-board controller that manages the MMC communication protocol.

The controller also handles block management functions such as logical block allocation and wear leveling. These management functions require complex algorithms and depend entirely on NAND flash technology (generation or memory cell type). The device handles these management functions internally, making them invisible to the host processor.

Defect and Error Management

Micron e.MMC incorporates advanced technology for defect and error management. If a defective block is identified, the device completely replaces it with a spare block. This process is invisible to the host and does not affect user-allocated data space.

The device also includes a built-in error correction code (ECC) algorithm to ensure data integrity is maintained. To best implement these advanced technologies and ensure proper data loading and storage over the life of the device, the host must follow these precautions:

- Check the status after WRITE, READ, and ERASE operations.
- Avoid power-down during WRITE and ERASE operations.

As best practice, Micron recommends the usage of Power Off Notification (PON) and refresh mechanism.



OCR Register

The 32-bit operation conditions register (OCR) stores the voltage profile of the card and the access mode indication. In addition, this register includes a status information bit.

Table 7: OCR Parameters

OCR Bits	OCR Value	Description
[31]	1b (ready)/0b (busy) ¹	Device power-on status bit
[30:29]	10b	Sector mode
[28:24]	0 0000b	Reserved
[23:15]	1 1111 1111b	2.7–3.6V voltage range
[14:8]	000 0000b	2.0–2.7V voltage range
[7]	1b	1.70–1.95V voltage range
[6:0]	000 0000b	Reserved

Note: 1. OCR = C0FF8080h after the device has completed power-up.



8GB, 16GB, 32GB, 64GB, 128GB: e.MMC (Automotive) CID Register

CID Register

The card identification (CID) register is 128 bits wide. It contains the device identification information used during the card identification phase as required by e.MMC protocol. Each device is created with a unique identification number.

Table 8: CID Register Field Parameters

Name	Field	Width	CID Bits	CID Value
Manufacturer ID	MID	8	[127:120]	13h
Reserved	–	6	[119:114]	–
Card/BGA	CBX	2	[113:112]	01h
OEM/application ID	OID	8	[111:104]	–
Product name	PNM	48	[103:56]	8GB: 53304A333541h (S0J35A)
				16GB: 53304A353658h (S0J56X)
				32GB: 53304A353758h (S0J57X)
				64GB: 53304a353858h (S0J58X)
				128GB: 53304a353958h (S0J59X)
Product revision	PRV	8	[55:48]	–
Product serial number	PSN	32	[47:16]	–
Manufacturing date	MDT	8	[15:8]	–
CRC7 checksum	CRC	7	[7:1]	–
Not used; always 1	–	1	[0]	–



CSD Register

The card-specific data (CSD) register provides information about accessing the device contents. The CSD register defines the data format, error correction type, maximum data access time, and data transfer speed, as well as whether the DS register can be used. The programmable part of the register (entries marked with W or E in the following table) can be changed by the PROGRAM_CSD (CMD27) command.

Table 9: CSD Register Field Parameters

Name	Field	Density	Size (Bits)	Cell Type ¹	CSD Bits	CSD Value
CSD structure	CSD_STRUCTURE	–	2	R	[127:126]	3h
System specification version	SPEC_VERS	–	4	R	[125:122]	4h
Reserved ²	–	–	2	R	[121:120]	–
Data read access time 1	TAAC	–	8	R	[119:112]	7Fh
Data read access time 2 in CLK cycles (NSAC × 100)	NSAC	–	8	R	[111:104]	01h
Maximum bus clock frequency	TRAN_SPEED	–	8	R	[103:96]	32h
Card command classes	CCC	–	12	R	[95:84]	8F5h
Maximum read data block length	READ_BLK_LEN	–	4	R	[83:80]	09h
Partial blocks for reads supported	READ_BLK_PARTIAL	–	1	R	[79]	0h
Write block misalignment	WRITE_BLK_MISALIGN	–	1	R	[78]	0h
Read block misalignment	READ_BLK_MISALIGN	–	1	R	[77]	0h
DSR implemented	DSR_IMP	–	1	R	[76]	0h
Reserved	–	–	2	R	[75:74]	–
Device size	C_SIZE	–	12	R	[73:62]	FFFh
Maximum read current at V _{DD,min}	VDD_R_CURR_MIN	–	3	R	[61:59]	0h
Maximum read current at V _{DD,max}	VDD_R_CURR_MAX	–	3	R	[58:56]	0h
Maximum write current at V _{DD,min}	VDD_W_CURR_MIN	–	3	R	[55:53]	0h
Maximum write current at V _{DD,max}	VDD_W_CURR_MAX	–	3	R	[52:50]	0h
Device size multiplier	C_SIZE_MULT	–	3	R	[49:47]	7h
Erase group size	ERASE_GRP_SIZE	–	5	R	[46:42]	1Fh
Erase group size multiplier	ERASE_GRP_MULT	–	5	R	[41:37]	1Fh
Write protect group size	WP_GRP_SIZE	–	5	R	[36:32]	0Fh
Write protect group enable	WP_GRP_ENABLE	–	1	R	[31]	1h
Manufacturer default ECC	DEFAULT_ECC	–	2	R	[30:29]	0h
Write-speed factor	R2W_FACTOR	–	3	R	[28:26]	01h


**8GB, 16GB, 32GB, 64GB, 128GB: e.MMC (Automotive)
CSD Register**
Table 9: CSD Register Field Parameters (Continued)

Name	Field	Density	Size (Bits)	Cell Type ¹	CSD Bits	CSD Value
Maximum write data block length	WRITE_BL_LEN	–	4	R	[25:22]	09h
Partial blocks for writes supported	WRITE_BL_PARTIAL	–	1	R	[21]	0h
Reserved	–	–	4	R	[20:17]	–
Content protection application	CONTENT_PROT_APP	–	1	R	[16]	0h
File-format group	FILE_FORMAT_GRP	–	1	R/W	[15]	0h
Copy flag (OTP)	COPY	–	1	R/W	[14]	0h
Permanent write protection	PERM_WRITE_PROTECT	–	1	R/W	[13]	0h
Temporary write protection	TMP_WRITE_PROTECT	–	1	R/W/E	[12]	0h
File format	FILE_FORMAT	–	2	R/W	[11:10]	0h
ECC	ECC	–	2	R/W/E	[9:8]	0h
CRC	CRC	–	7	R/W/E	[7:1]	–
Not used, always '1'	–	–	1	–	[0]	–

- Notes:
1. R = Read-only;
R/W = One-time programmable and readable;
R/W/E = Multiple writable with value kept after a power cycle, assertion of the RST_n signal, and any CMD0 reset, and readable
 2. Reserved bits should be read as 0.



ECSD Register

The 512-byte extended card-specific data (ECSD) register defines device properties and selected modes. The most significant 320 bytes are the properties segment. This segment defines device capabilities and cannot be modified by the host. The lower 192 bytes are the modes segment. The modes segment defines the configuration in which the device is working. The host can change the properties of modes segments using the SWITCH command.

Table 10: ECSD Register Field Parameters

Name	Field	Density	Size (Bytes)	Cell Type ¹	ECSD Bytes	ECSD Value
Properties Segment						
Reserved ²	–	–	6	TBD	[511:506]	–
Extended security error support	EXT_SECURITY_ERR	–	1	R	[505]	00h
Supported command sets	S_CMD_SET	–	1	R	[504]	01h
HPI features	HPI_FEATURES	–	1	R	[503]	01h
Background operations support	BKOPS_SUPPORT	–	1	R	[502]	01h
Max-packed read commands	MAX_PACKED_READS	–	1	R	[501]	00h
Max-packed write commands	MAX_PACKED_WRITES	–	1	R	[500]	00h
Data tag support	DATA_TAG_SUPPORT	–	1	R	[499]	01h
Tag unit size	TAG_UNIT_SIZE	–	1	R	[498]	03h
Tag resources size	TAG_RES_SIZE	–	1	R	[497]	00h
Context management capabilities	CONTEXT_CAPABILITIES	–	1	R	[496]	05h
Large unit size	LARGE_UNIT_SIZE_M1	–	1	R	[495]	03h
Extended partitions attribute support	EXT_SUPPORT	–	1	R	[494]	03h
Supported modes	SUPPORTED_MODES	–	1	R	[493]	01h
Field firmware update features	FFU_FEATURES	–	1	R	[492]	00h
Operation code timeout	OPERATION_CODE_TIMEOUT	–	1	R	[491]	00h
Field firmware update arguments	FFU_ARG	–	4	R	[490:487]	0000FFFFh
Barrier support	BARRIER_SUPPORT	–	1	R	[486]	01h
Reserved	–	–	177	TBD	[485:309]	–
CMD queuing support	CMDQ_SUPPORT	–	1	R	[308]	01h
CMD queuing depth	CMDQ_DEPTH	–	1	R	[307]	1Fh
Reserved	–	–	1	TBD	[306]	–


**8GB, 16GB, 32GB, 64GB, 128GB: e.MMC (Automotive)
ECSD Register**
Table 10: ECSD Register Field Parameters (Continued)

Name	Field	Density	Size (Bytes)	Cell Type ¹	ECSD Bytes	ECSD Value
Number of firmware sectors correctly programmed	NUMBER_OF_FW_SECTORS_CORRECTLY_PROGRAMMED	–	4	R	[305:302]	00h
Vendor proprietary health report	VENDOR_PROPRIETARY_HEALTH_REPORT	–	32	R	[301:270]	00h
Device life time estimate type B	DEVICE_LIFE_TIME_EST_TYP_B	–	1	R	[269]	01h
Device life time estimate type A	DEVICE_LIFE_TIME_EST_TYP_A	–	1	R	[268]	01h
Pre-end of life information	PRE_EOL_INFO	–	1	R	[267]	01h
Optimal read size	OPTIMAL_READ_SIZE	–	1	R	[266]	00h
Optimal write size	OPTIMAL_WRITE_SIZE	–	1	R	[265]	40h
Optimal trim unit size	OPTIMAL_TRIM_UNIT_SIZE	–	1	R	[264]	00h
Device version	DEVICE_VERSION	–	2	R	[263:262]	0000h
Firmware version	FIRMWARE_VERSION	–	8	R	[261:254]	–
Power class for 200 MHz DDR at V _{CC} = 3.6V	PWR_CL_DDR_200_360	–	1	R	[253]	00h
Cache size	CACHE_SIZE	8GB	4	R	[252:249]	00000200h
		16GB				00000400h
		32GB				00000800h
		64GB				
		128GB				
Generic CMD6 timeout	GENERIC_CMD6_TIME	–	1	R	[248]	0Ah
Power-off notification (long) timeout	POWER_OFF_LONG_TIME	–	1	R	[247]	32h
Background operations status	BKOPS_STATUS	–	1	R	[246]	00h
Number of correctly programmed sectors	CORRECTLY_PROG_SECTORS_NUM	–	4	R	[245:242]	00000000h
First initialization time after partitioning (first CMD1 to device ready)	INI_TIMEOUT_AP	–	1	R	[241]	0Ah
Cache flushing policy	CACHE_FLUSH_POLICY	–	1	R	[240]	01h
Power class for 52 MHz, DDR at 3.6V	PWR_CL_DDR_52_360	–	1	R	[239]	00h
Power class for 52 MHz, DDR at 1.95V	PWR_CL_DDR_52_195	–	1	R	[238]	00h
Power class for 200 MHz at 1.95V	PWR_CL_200_195	–	1	R	[237]	00h


**8GB, 16GB, 32GB, 64GB, 128GB: e.MMC (Automotive)
ECSD Register**
Table 10: ECSD Register Field Parameters (Continued)

Name	Field	Density	Size (Bytes)	Cell Type ¹	ECSD Bytes	ECSD Value
Power class for 200 MHz, at 1.3V	PWR_CL_200_130	–	1	R	[236]	00h
Minimum write performance for 8-bit at 52 MHz in DDR mode	MIN_PERF_DDR_W_8_52	–	1	R	[235]	00h
Minimum read performance for 8-bit at 52 MHz in DDR mode	MIN_PERF_DDR_R_8_52	–	1	R	[234]	00h
Reserved	–	–	1	TBD	[233]	–
TRIM multiplier	TRIM_MULT	–	1	R	[232]	01h
Secure feature support	SEC_FEATURE_SUPPORT	–	1	R	[231]	51h
Secure erase multiplier	SEC_ERASE_MULT	–	1	R	[230]	01h
Secure trim multiplier	SEC_TRIM_MULT	–	1	R	[229]	01h
Boot information	BOOT_INFO	–	1	R	[228]	07h
Reserved	–	–	1	TBD	[227]	–
Boot partition size ³	BOOT_SIZE_MULT	–	1	R	[226]	FCh
Access size	ACC_SIZE	–	1	R	[225]	00h
High-capacity erase unit size	HC_ERASE_GRP_SIZE	–	1	R	[224]	01h
High-capacity erase timeout	ERASE_TIMEOUT_MULT	–	1	R	[223]	01h
Reliable write-sector count	REL_WR_SEC_C	–	1	R	[222]	01h
High-capacity write protect group size	HC_WP_GRP_SIZE	8GB	1	R	[221]	10h
		16GB				
		32GB				
		64GB				
		128GB				20h
						40h
Sleep current (V _{CC})	S_C_VCC	–	1	R	[220]	00h
Sleep current (V _{CCQ})	S_C_VCCQ	–	1	R	[219]	00h
Production state awareness timeout	PRODUCTION_STATE_AWARENESS_TIMEOUT	–	1	R	[218]	00h
Sleep/awake timeout	S_A_TIMEOUT	–	1	R	[217]	14h
Sleep notification timeout	SLEEP_NOTIFICATION_TIME	–	1	R	[216]	0Eh


**8GB, 16GB, 32GB, 64GB, 128GB: e.MMC (Automotive)
ECSD Register**
Table 10: ECSD Register Field Parameters (Continued)

Name	Field	Density	Size (Bytes)	Cell Type ¹	ECSD Bytes	ECSD Value
Sector count	SEC_COUNT	8GB	4	R	[215:212]	00E90000 h
		16GB				01DA4000 h
		32GB				03B48000 h
		64GB				07690000 h
		128GB				0ED20000 h
Secure write protect information	SECURE_WP_INFO	–	1	R	[211]	01h
Minimum write performance for 8-bit at 52 MHz	MIN_PERF_W_8_52	–	1	R	[210]	00h
Minimum read performance for 8-bit at 52 MHz	MIN_PERF_R_8_52	–	1	R	[209]	00h
Minimum write performance for 8-bit at 26 MHz and 4-bit at 52 MHz	MIN_PERF_W_8_26_4_52	–	1	R	[208]	00h
Minimum read performance for 8-bit at 26 MHz and 4-bit at 52 MHz	MIN_PERF_R_8_26_4_52	–	1	R	[207]	00h
Minimum write performance for 4-bit at 26 MHz	MIN_PERF_W_4_26	–	1	R	[206]	00h
Minimum read performance for 4-bit at 26 MHz	MIN_PERF_R_4_26	–	1	R	[205]	00h
Reserved	–	–	1	TBD	[204]	–
Power class for 26 MHz at 3.6V	PWR_CL_26_360	–	1	R	[203]	00h
Power class for 52 MHz at 3.6V	PWR_CL_52_360	–	1	R	[202]	00h
Power class for 26 MHz at 1.95V	PWR_CL_26_195	–	1	R	[201]	00h
Power class for 52 MHz at 1.95V	PWR_CL_52_195	–	1	R	[200]	00h
Partition switching timing	PARTITION_SWITCH_TIME	–	1	R	[199]	01h
Out-of-interrupt busy timing	OUT_OF_INTERRUPT_TIME	–	1	R	[198]	0Fh
I/O driver strength	DRIVER_STRENGTH	–	1	R	[197]	1Fh
Device type	DEVICE_TYPE	–	1	R	[196]	57h
Reserved	–	–	1	TBD	[195]	–



8GB, 16GB, 32GB, 64GB, 128GB: e.MMC (Automotive) ECSD Register

Table 10: ECSD Register Field Parameters (Continued)

Name	Field	Density	Size (Bytes)	Cell Type ¹	ECSD Bytes	ECSD Value
CSD structure version	CSD_STRUCTURE	–	1	R	[194]	02h
Reserved	–	–	1	TBD	[193]	–
Extended CSD revision	EXT_CSD_REV	–	1	R	[192]	08h
Modes Segment						
Command set	CMD_SET	–	1	R/W/E_P	[191]	00h
Reserved	–	–	1	TBD	[190]	–
Command set revision	CMD_SET_REV	–	1	R	[189]	00h
Reserved	–	–	1	TBD	[188]	–
Power class	POWER_CLASS	–	1	R/W/E_P	[187]	00h
Reserved	–	–	1	TBD	[186]	–
High-speed interface timing	HS_TIMING	–	1	R/W/E_P	[185]	00h
Strobe support	STROBE_SUPPORT	–	1	R	[184]	00h
Bus width mode	BUS_WIDTH	–	1	W/E_P	[183]	00h
Reserved	–	–	1	TBD	[182]	–
Erased memory content	ERASED_MEM_CONT	–	1	R	[181]	00h
Reserved	–	–	1	TBD	[180]	–
Partition configuration	PARTITION_CONFIG	–	1	R/W/E, R/W/E_P	[179]	00h
Boot configuration protection	BOOT_CONFIG_PROT	–	1	R/W, R/W/C_P	[178]	00h
Boot bus conditions	BOOT_BUS_CONDITIONS	–	1	R/W/E	[177]	00h
Reserved	–	–	1	TBD	[176]	–
High-density erase group definition	ERASE_GROUP_DEF	–	1	R/W/E_P	[175]	00h
Boot write protection status registers	BOOT_WP_STATUS	–	1	R	[174]	00h
Boot area write protection register	BOOT_WP	–	1	R/W, R/W/C_P	[173]	00h
Reserved	–	–	1	TBD	[172]	–
User write protection register	USER_WP	–	1	R/W, R/W/C_P, R/W/E_P	[171]	00h
Reserved	–	–	1	TBD	[170]	–
Firmware configuration	FW_CONFIG	–	1	R/W	[169]	00h
RPMB size	RPMB_SIZE_MULT	–	1	R	[168]	20h
Write reliability setting register ⁴ Write reliability parameter register	WR_REL_SET	–	1	R/W	[167]	1Fh
	WR_REL_PARAM	–	1	R	[166]	15h


**8GB, 16GB, 32GB, 64GB, 128GB: e.MMC (Automotive)
ECSD Register**
Table 10: ECSD Register Field Parameters (Continued)

Name	Field	Density	Size (Bytes)	Cell Type ¹	ECSD Bytes	ECSD Value
SANITIZE START operation	SANITIZE_START	–	1	W/E_P	[165]	00h
Manually start background operations	BKOPS_START	–	1	W/E_P	[164]	00h
Enable background operations handshake	BKOPS_EN	–	1	R/W, R/W/E	[163]	00h
Hardware reset function	RST_n_FUNCTION	–	1	R/W	[162]	00h
HPI management	HPI_MGMT	–	1	R/W/E_P	[161]	00h
Partitioning support	PARTITIONING_SUPPORT	–	1	R	[160]	07h
Maximum enhanced area size	MAX_ENH_SIZE_MULT	8GB	3	R	[159:157]	0001C9h
		16GB				0003ABh
		32GB				000760h
		64GB				000764h
		128GB				000766h
Partitions attribute	PARTITIONS_ATTRIBUTE	–	1	R/W	[156]	00h
Partitioning setting	PARTITION_SETTING_COMPLETED	–	1	R/W	[155]	00h
General-purpose partition size	GP_SIZE_MULT	–	12	R/W	[154:143]	00h
Enhanced user data area size	ENH_SIZE_MULT	–	3	R/W	[142:140]	000000h
Enhanced user data start address	ENH_START_ADDR	–	4	R/W	[139:136]	00000000h
Reserved	–	–	1	TBD	[135]	–
Bad block management mode	SEC_BAD_BLK_MGMNT	–	1	R/W	[134]	00h
Production state awareness	PRODUCTION_STATE_AWARENESS	–	1	R/W/E	[133]	00h
Package case temperature is controlled	TCASE_SUPPORT	–	1	W/E_P	[132]	00h
Periodic wake-up	PERIODIC_WAKEUP	–	1	R/W/E	[131]	00h
Program CID/CSD in DDR mode support	PROGRAM_CID_CSD_DDR_SUPPORT	–	1	R	[130]	01h
Reserved	–	–	2	TBD	[129:128]	–
Vendor specific fields	VENDOR_SPECIFIC_FIELD	–	64	<vendor specific>	[127:64]	–
Native sector size	NATIVE_SECTOR_SIZE	–	1	R	[63]	00h
Sector size emulation	USE_NATIVE_SECTOR	–	1	R/W	[62]	00h
Sector size	DATA_SECTOR_SIZE	–	1	R	[61]	00h
1st initialization after disabling sector size emulation	INI_TIMEOUT_EMU	–	1	R	[60]	00h



8GB, 16GB, 32GB, 64GB, 128GB: e.MMC (Automotive) ECSD Register

Table 10: ECSD Register Field Parameters (Continued)

Name	Field	Density	Size (Bytes)	Cell Type ¹	ECSD Bytes	ECSD Value
Class 6 commands control	CLASS_6_CTRL	–	1	R/W/E_P	[59]	00h
Number of addressed group to be released	DYNCAP_NEEDED	–	1	R	[58]	00h
Exception events control	EXCEPTION_EVENTS_CTRL	–	2	R/W/E_P	[57:56]	0000h
Exception events status	EXCEPTION_EVENTS_STATUS	–	2	R	[55:54]	0000h
Extended partitions attribute	EXT_PARTITIONS_ATTRIBUTE	–	2	R/W	[53:52]	0000h
Context configuration	CONTEXT_CONF	–	15	R/W/E_P	[51:37]	00h
Packed command status	PACKED_COMMAND_STATUS	–	1	R	[36]	00h
Packed command failure index	PACKED_FAILURE_INDEX	–	1	R	[35]	00h
Power-off notification	POWER_OFF_NOTIFICATION	–	1	R/W/E_P	[34]	00h
Control to turn the cache on/off	CACHE_CTRL	–	1	R/W/E_P	[33]	00h
Flushing of the cache	FLUSH_CACHE	–	1	W/E_P	[32]	00h
Control to turn the barrier on/off	BARRIER_CTRL	–	1	R/W	[31]	00h
Mode configuration	MODE_CONFIG	–	1	R/W/E_P	[30]	00h
Mode operation codes	MODE_OPERATION_CODES	–	1	W/E_P	[29]	00h
Reserved	–	–	2	TBD	[28:27]	–
Field firmware update status	FFU_STATUS	–	1	R	[26]	00h
Pre-loading data size	PRE_LOADING_DATA_SIZE	–	4	R/W/E_P	[25:22]	00h
Maximum pre-loading data size	MAX_PRE_LOADING_DATA_SIZE	8GB	4	R	[21:18]	005D3310h
		16GB				00BDB320h
		32GB				017B6640h
		64GB				02F6CCA8h
		128GB				05ED9978h
Product state awareness enablement	PRODUCT_STATE_AWARENESS_ENABLEMENT	–	1	R/W/E&R	[17]	03h
Secure removal type	SECURE_REMOVAL_TYPE	–	1	R/W&R	[16]	01h
Command queue mode enable	CMDQ_MODE_EN	–	1	R/W/E_P	[15]	00h



8GB, 16GB, 32GB, 64GB, 128GB: e.MMC (Automotive) ECSD Register

Table 10: ECSD Register Field Parameters (Continued)

Name	Field	Density	Size (Bytes)	Cell Type ¹	ECSD Bytes	ECSD Value
Reserved	–	–	15	TBD	[14:0]	–

- Notes:
1. R = Read-only;
R/W = One-time programmable and readable;
R/W/E = Multiple writable with the value kept after a power cycle, assertion of the RST_n signal, and any CMD0 reset, and readable;
R/W/C_P = Writable after the value is cleared by a power cycle and assertion of the RST_n signal (the value not cleared by CMD0 reset) and readable;
R/W/E_P = Multiple writable with the value reset after a power cycle, assertion of the RST_n signal, and any CMD0 reset, and readable;
W/E_P = Multiple writable with the value reset after power cycle, assertion of the RST_n signal, and any CMD0 reset, and not readable
 2. Reserved bits should be read as 0.
 3. Boot partition size is configurable by host. Refer to local Micron support for information.
 4. Micron has tested power failure under best-application knowledge conditions with positive results. Customers may request a dedicated test for their specific application condition. Micron set this register during factory test and used the one-time programming option.



**8GB, 16GB, 32GB, 64GB, 128GB: e.MMC (Automotive)
DC Electrical Specifications – Device Power**

DC Electrical Specifications – Device Power

The device current consumption for various device configurations is defined in the power class fields of the ECSD register.

V_{CC} is used for the NAND Flash device and its interface voltage; V_{CCQ} is used for the controller and the e.MMC interface voltage.

Figure 8: Device Power Diagram

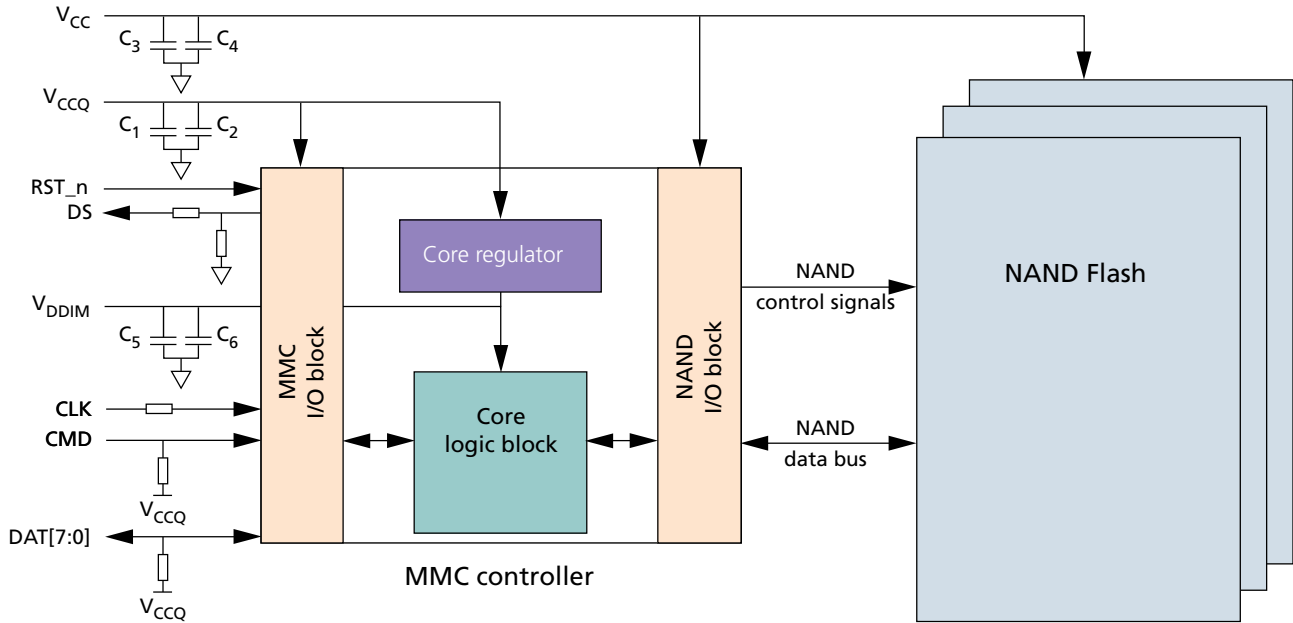


Table 11: Absolute Maximum Ratings

Parameters	Symbol	Min	Max	Unit
Voltage input	V_{IN}	-0.6	4.6	V
V_{CC} supply	V_{CC}	-0.6	4.6	V
V_{CCQ} supply	V_{CCQ}	-0.6	4.6	V

Note: 1. Voltage on any pin relative to V_{SS} .

Table 12: Temperature Grade

Temperature Grade	Condition	Ambient Temperature - T_a	Unit
AIT	Operating	-40 to 85	°C
	Storage		
AAT	Operating	-40 to 105	°C
	Storage		


Table 13: Capacitor and Resistance Specifications

Parameter	Symbol	Min	Max	Typ	Units	Notes
Pull-up resistance: CMD	R_CMD	4.7	50	10	kΩ	1
Pull-up resistance: DAT[7:0]	R_DAT	10	50	50	kΩ	1
Pull-up resistance: RST_n	R_RST_n	4.7	50	50	kΩ	2
CLK/CMD/DS/DAT[7:0] impedance		45	55	50	Ω	3
Serial resistance on CLK	SR_CLK	0	47	22	Ω	
Serial resistance on DS	SR_DS	0	47	22	Ω	4
Pull-down resistance: DS	R_DS	10	100	-	kΩ	
V _{CCQ} capacitor	C1	2.2	4.7	2.2	μF	5
	C2	0.1	0.22	0.1		
V _{CC} capacitor	C3	2.2	4.7	2.2	μF	6
	C4	0.1	0.22	0.1		
V _{DDIM} capacitor (C _{reg})	C5	1	4.7	1	μF	7
	C6	0.1	0.1	0.1		

- Notes:
- Used to prevent bus floating.
 - If host does not use H/W RESET (RST_n), pull-up resistance is not needed on RST_n line (Extended_CSD[162] = 00h).v
 - Impedance match.
 - Recommended in order to compensate eventual impedance mismatch on the PCB.
 - The coupling capacitor should be connected with V_{CCQ} and V_{SSQ} as closely as possible.
 - The coupling capacitor should be connected with V_{CC} and V_{SS} as closely as possible.
 - The coupling capacitor should be connected with V_{DDIM} and V_{SS} as closely as possible.

Product features

The list below shows the JEDEC features not supported. See the full JEDEC/MMC Standard No. 84-B51 available at www.jedec.org/sites/default/files/docs/JESD84-B51.pdf

- Packed CMDs
- Context ID/Data tag (this feature is implemented at the protocol level)
- Dynamic device capacity
- Thermal spec
- Large sector size - 4KB (<256GB)
- Large sector size - 4KB (>256GB)
- Extended security protocol
- Secure erase/secure trim*
- Forced erase*

* The feature implements as logical erase mode: It moves the mapped host address range to the unmapped host address range. When the operation is complete, the data still exists, but the mapped device address range behaves as if overwritten with all 0s.



Revision History

Rev. G – 10/18

- Updated Part Numbers status

Rev. F – 08/18

- Removed Preliminary header and updated Part Numbers status
- Updated current consumption tables
- Updated ECSD register [163], [133], [15]
- Corrected typo of JEDEC standard link

Rev. E – 06/18

- Updated ECSD register [184] to 00h
- Added Temperature Grade table in DC Electrical Specifications

Rev. D – 02/18

- Added Important Notes and Warnings section for further clarification aligning to industry standards
- Removed table of performance and current at DDR52
- Updated values of performance and current in related tables
- Updated values in CSD and ECSD registers

Rev. C – 10/17

- Added MPN 32GB 153b AAT to the list
- Added MPNs 8GB, 16GB, 64GB, 128GB 100/153b AIT/AAT to the list
- Added values in the ECSD register [308], [307], [240], [252:249], [211], [184], [21:18]
- Added list of non-supported features

Rev. B – 07/17

- Fixed package height dimension
- Fixed VSF numbering in Signal Descriptions table
- Corrected typo of SEC_COUNT [215:212] value in ECSD Register Field Parameters table: Changed from 03BA8000h to 03B48000h

Rev. A – 06/17

- Initial release

8000 S. Federal Way, P.O. Box 6, Boise, ID 83707-0006, Tel: 208-368-4000
www.micron.com/products/support Sales inquiries: 800-932-4992
 Micron and the Micron logo are trademarks of Micron Technology, Inc.
 All other trademarks are the property of their respective owners.

This data sheet contains minimum and maximum limits specified over the power supply and temperature range set forth herein. Although considered final, these specifications are subject to change, as further product development and data characterization sometimes occur.

X-ON Electronics

Largest Supplier of Electrical and Electronic Components

Click to view similar products for [eMMC](#) category:

Click to view products by [Micron](#) manufacturer:

Other Similar products are found below :

[MTFC32GAPALBH-IT](#) [MTFC64GAPALBH-IT](#) [GLS85VM1004G-S-I-LFWE-ND232](#) [GLS85VM1016C-M-I-BZYE-ND231](#)
[S40FC004C1B2I00300](#) [SDINBDG4-8G](#) [SDINBDG4-8G-XI1](#) [THGBMNG5D1LBAIL](#) [SDINBDG4-64G-XI1](#) [SDINADF4-128G](#) [SDINBDG4-8G-XA](#) [SDINBDG4-32G-XI1](#) [SDINBDA4-32G](#) [SDINBDG4-32G-I1](#) [SDINBDG4-64G](#) [SDINBDG4-64G-ZA](#) [GLS85VM1032C-M-I-BZYE-ND231](#) [GLS85VM1008Q-S-I-BZYE-ND235](#) [GLS85VM1008E-S-I-BZYE-ND237](#) [GLS85VM1008C-M-I-LFWE-ND230](#) [GLS85VM1008C-M-I-BZYE-ND231](#) [THGBMJG7C1LBAIL](#) [THGBMJG8C2LBAIL](#) [MTFC32GAZAQHD-WT TR](#) [MTFC32GAZAQHD-WT](#)
[MTFC32GAZAQHD-AAT](#) [MTFC8GAMALGT-AIT](#) [MTFC16GAPALNA-AIT](#) [MTFC4GACAJCN-1M WT](#) [MTFC64GAPALBH-AAT](#)
[MTFC8GAKAJCN-1M WT](#) [MTFC4GLGDQ-AIT A](#) [SDINADF4-128G-H](#) [SDINBDA4-256G](#) [SDINBDA6-256G-ZA](#) [SDINBDG4-16G-XI2](#)
[SDINBDG4-32G-XI2](#) [SDINBDG4-16G-XI1](#) [SDINBDG4-8G-I1T](#) [SDINADF4-64G-H](#) [SDINBDA4-128G](#) [S40FC004C1B2C00000](#)
[S40FC004C1B1C00000](#) [S40FC004C1B2I00000](#) [S40FC004C1B1I00000](#) [SH9MCGP1ATI01](#) [SH9MBGP1ATI01](#) [SFEM128GB1ED1TO-I-7G-111-STD](#) [SFEM080GB1ED1TO-I-8H-11P-STD](#) [SFEM064GB1ED1TO-I-6F-111-STD](#)