



High Speed LDO Regulators, High PSRR, Low noise, ME6211 Series

General Description

The ME6211 series are highly accurate, low noise, CMOS LDO Voltage Regulators. Offering low output noise, high ripple rejection ratio, low dropout and very fast turn-on times, the ME6211 series is ideal for today's cutting edge mobile phone. Internally the ME6211 includes a reference voltage source, error amplifiers, driver transistors, current limiters and phase compensators. The ME6211's current limiters' foldback circuit also operates as a short protect for the output current limiter and the output pin. The ME6211 series is also fully compatible with low ESR ceramic capacitors, reducing cost and improving output stability. This high level of output stability is maintained even during frequent load fluctuations, due to the excellent transient response performance and high PSRR achieved across a broad range of frequencies. The CE function allows the output of regulator to be turned off, resulting in greatly reduced power consumption.

Package

- 3-pin SOT89-3, SOT23-3
- 4-pin SOT343R, FBP1*1-4L
- 5-pin SOT23-5, SOT353
- 6-pin DFN2*2-6L

Features

- Maximum Output Current: 500mA
($V_{IN}=4.3V, V_{OUT}=3.3V$)
- Dropout Voltage: 100mV@ $I_{OUT}=100mA$
- Operating Voltage Range: 2V~6.0V
- Highly Accuracy: $\pm 1\%$
- Low Power Consumption: 30uA (TYP.)
- Standby Current: 0.1uA (TPY.)
- High Ripple Rejection: 70dB@1KHz
(ME6211C33)
- Low output noise: 50uVrms
- Line Regulation: 0.05% (TYP.)

Typical Application

- Mobile phones
- Cordless phones, radio communication equipment
- Portable games
- Cameras, Video cameras
- Reference voltage sources
- Battery powered equipment

Typical Application Circuit

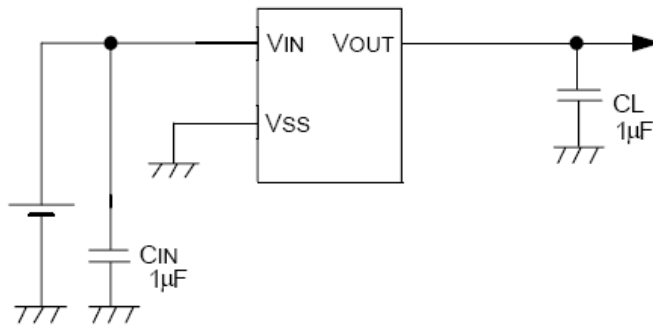


Fig1. ME6211A series

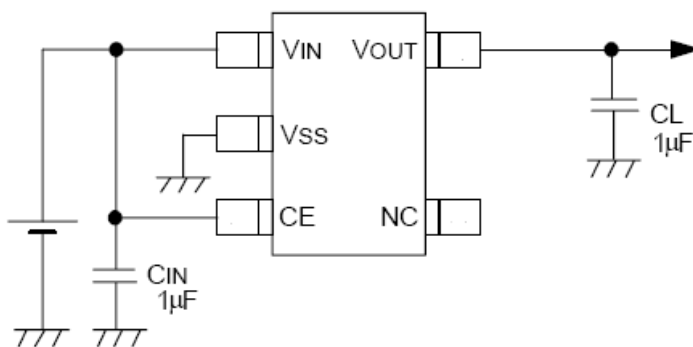


Fig2. ME6211C series

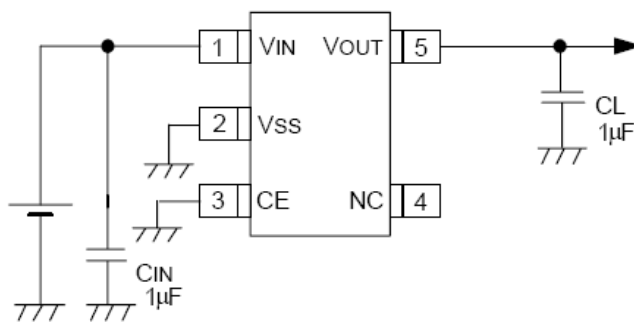
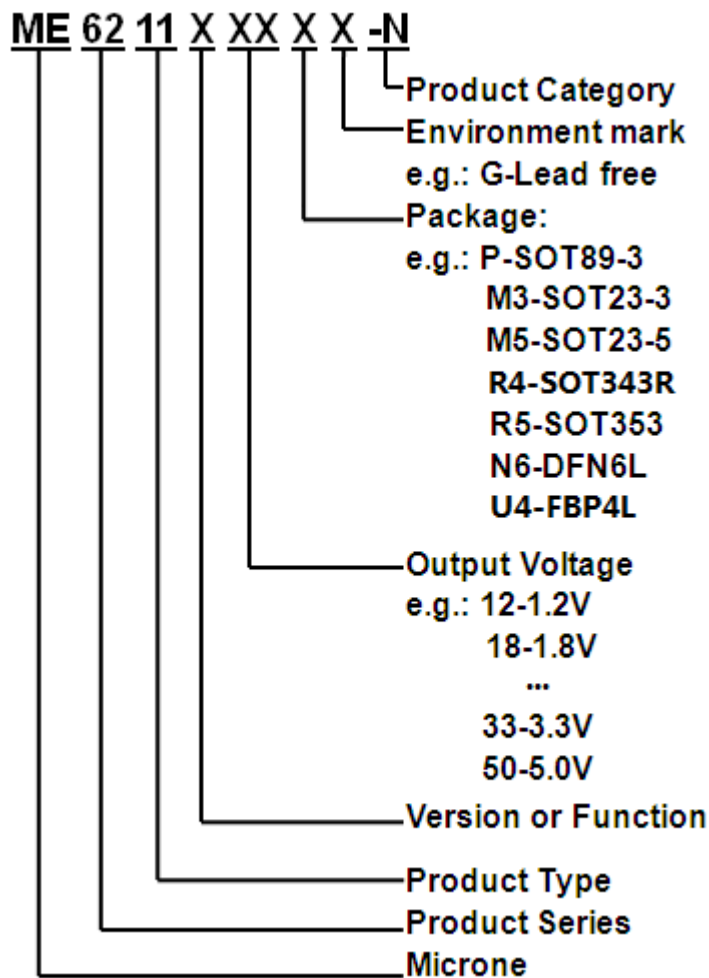


Fig3. ME6211H series

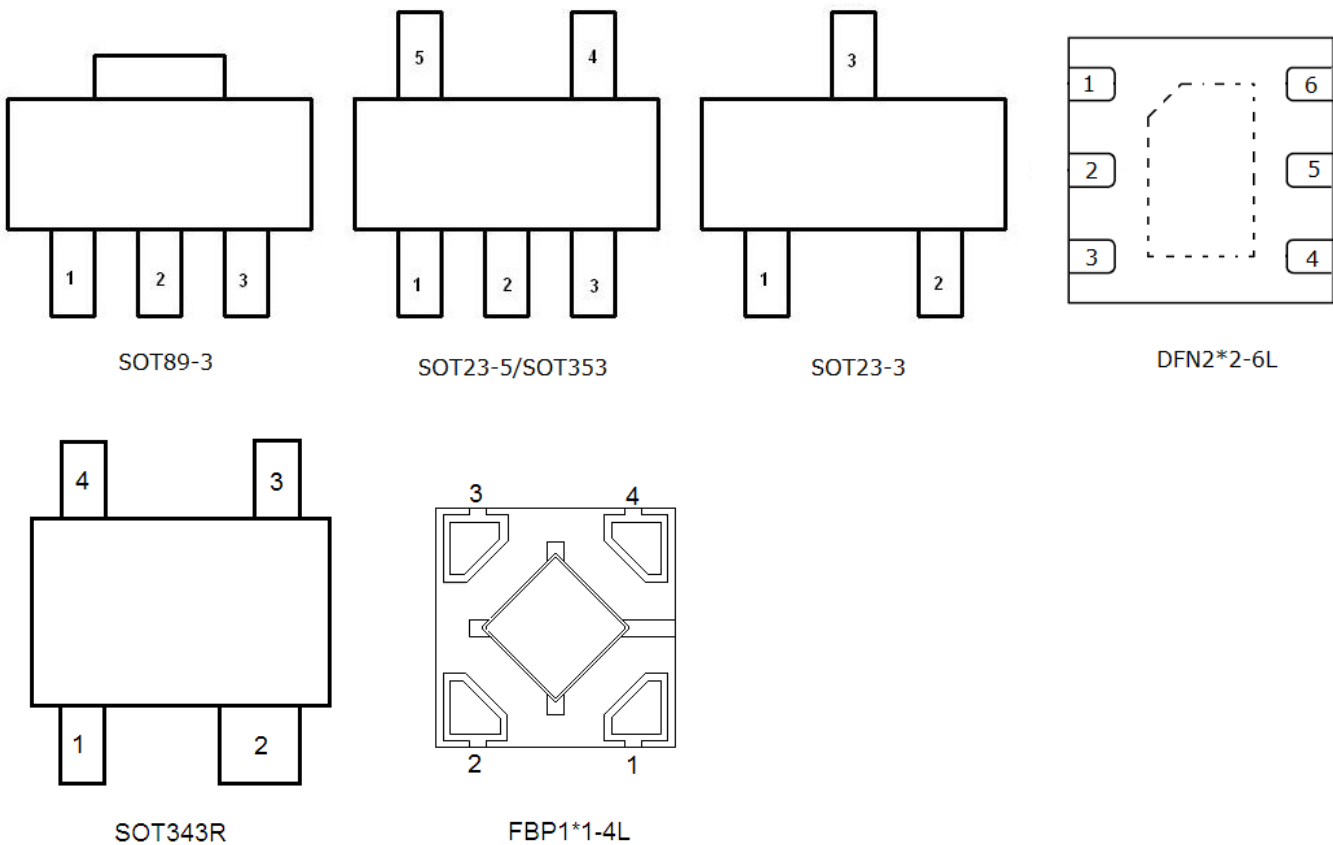
Selection Guide



product series	product function	Output voltage	Package
ME6211A12PG-N	Enable the internal connection of high	1.2V	SOT89-3
ME6211C33M5G-N	Enable can be set	3.3V	SOT23-5
ME6211C33R4G-N	Enable can be set	3.3V	SOT343R
ME6211C33U4AG-N	Enable can be set	3.3V	FBP1*1-4L
ME6211H15M5G-N	Enable connected to a low	1.5V	SOT23-5

NOTE: At present ,there are five kinds of voltage value:
1.0、1.2V、1.5V、1.8V、2.1V、2.5V、2.8V、3.0V、3.3V、5.0V。
If you need other voltage and package, please contact our sales staff。

Pin Configuration



Pin Assignment

ME6211AXXG

Pin Number			Pin Name	Functions
M3	P	P1		
SOT23-3	SOT89-3	SOT89-3		
1	1	2	V_{SS}	Ground
2	3	1	V_{OUT}	Output
3	2	3	V_{IN}	Power Input

The difference of printing on the chip between P and P1 is : P: 6211A , P1: 6211A1

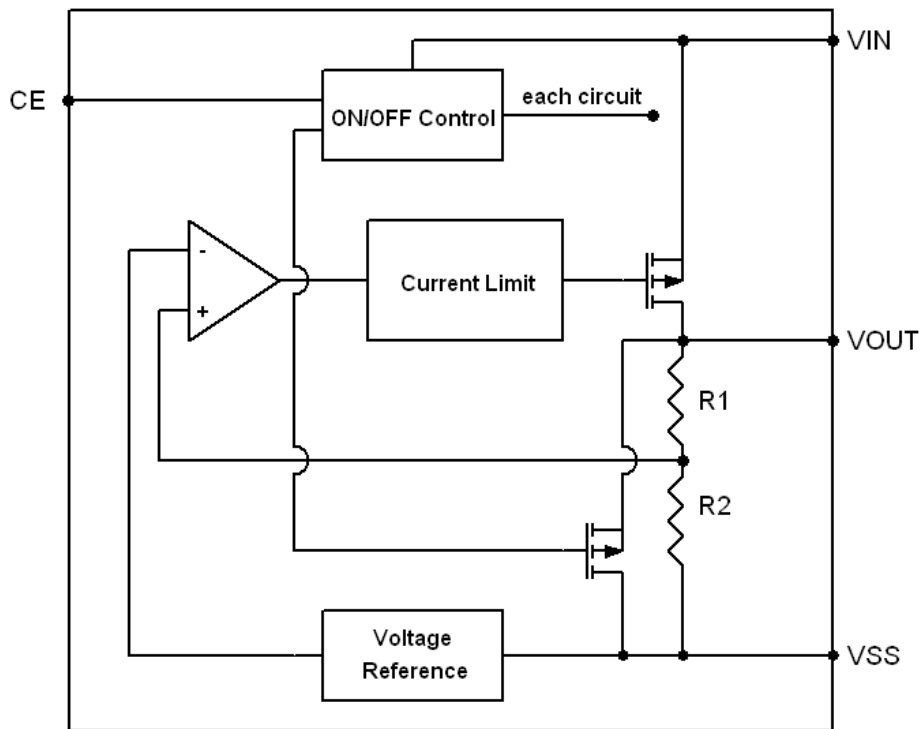
ME6211AXXG-DS

Pin Number	Pin Name	Functions
SOT23-3		
1	V_{IN}	Power Input
2	V_{OUT}	Output
3	V_{SS}	Ground

ME6211CXXG/ ME6211HXXG

Pin Number				Pin Name	Functions
SOT23-5/SOT353	DFN2*2-6L	SOT343R	FBP1*1-4L		
1	3	4	4	V_{IN}	Power Input
2	2	2	2	V_{SS}	Ground
3	1	1	3	CE	ON / OFF Control
4	5,6	-	-	NC	No Connect
5	4	3	1	V_{OUT}	Output

Block Diagram



Absolute Maximum Ratings

Parameter	Symbol	Ratings	Units
Input Voltage	V_{IN}	6.5	V
Output Current	I_{OUT}	600	mA
Output Voltage	V_{OUT}	$V_{SS}-0.3 \sim V_{IN} + 0.3$	V
CE Pin Voltage	V_{CE}	$V_{SS}-0.3 \sim V_{IN} + 0.3$	V
Power Dissipation	SOT23-3	300	mW
	SOT353	250	
	DFN2*2-6L	300	
	SOT89	500	
	SOT343R	250	
	FBP1*1-4L	250	
Operating Temperature Range	T_{OPR}	$-40 \sim +150$	$^{\circ}C$
Storage Temperature Range	T_{STG}	$-40 \sim +150$	$^{\circ}C$

Electrical Characteristics

ME6211C10 ($V_{IN} = V_{OUT} + 1V$, $V_{CE} = V_{IN}$, $C_{IN} = C_L = 1\mu F$, $T_a = 25^\circ C$, unless otherwise noted)

Parameter	Symbol	Conditions	Min.	Typ.	Max.	Units
Output Voltage	$V_{OUT(E)}$ (Note 2)	$I_{OUT} = 30mA$, $V_{IN} = V_{OUT} + 1V$	X 0.99	$V_{OUT(T)}$ (Note 1)	X 1.01	V
Maximum Output Current	I_{OUTMAX}	$V_{IN} = V_{OUT} + 1V$		300		mA
Load Regulation	ΔV_{OUT}	$V_{IN} = V_{OUT} + 1V$, $1mA \leq I_{OUT} \leq 100mA$		5		mV
Dropout Voltage (Note 1)	V_{DIF1}	$I_{OUT} = 100mA$		400		mV
	V_{DIF2}	$I_{OUT} = 200mA$		650		mV
Supply Current	I_{SS}	$V_{IN} = V_{OUT} + 1V$		30	60	μA
Stand-by Current	I_{CEL}	$V_{CE} = 0V$		0.1	1.0	μA
Line Regulation	$\frac{\Delta V_{OUT}}{\Delta V_{IN} \cdot V_{OUT}}$	$I_{OUT} = 30mA$ $V_{OUT} + 1V \leq V_{IN} \leq 6.5V$		0.035		%/V
CE "High" Voltage	VCEH	Start up	1.0			V
CE "Low" Voltage	VCEL	Shut down			0.5	V
Output noise	EN	$I_{OUT} = 40mA$, 300Hz~50kHz		50		μV_{rms}
Ripple Rejection Rate	PSRR	$V_{IN} = [V_{OUT} + 1]V + 1V_{p-pAC}$	$I_{OUT} = 10mA$, 1kHz	70		dB
			$I_{OUT} = 100mA$, 10kHz	62		

ME6211C12 ($V_{IN} = V_{OUT} + 1V$, $V_{CE} = V_{IN}$, $C_{IN} = C_L = 1\mu F$, $T_a = 25^\circ C$, unless otherwise noted)

Parameter	Symbol	Conditions	Min.	Typ.	Max.	Units
Output Voltage	$V_{OUT(E)}$ (Note 2)	$I_{OUT} = 30mA$, $V_{IN} = V_{OUT} + 1V$	X 0.99	$V_{OUT(T)}$ (Note 1)	X 1.01	V
Maximum Output Current	I_{OUTMAX}	$V_{IN} = V_{OUT} + 1V$		300		mA
Load Regulation	ΔV_{OUT}	$V_{IN} = V_{OUT} + 1V$, $1mA \leq I_{OUT} \leq 100mA$		8		mV
Dropout Voltage (Note 1)	V_{DIF1}	$I_{OUT} = 100mA$		280		mV
	V_{DIF2}	$I_{OUT} = 200mA$		500		mV
Supply Current	I_{SS}	$V_{IN} = V_{OUT} + 1V$		30	60	μA
Stand-by Current	I_{CEL}	$V_{CE} = 0V$		0.1	1.0	μA
Line Regulation	$\frac{\Delta V_{OUT}}{\Delta V_{IN} \cdot V_{OUT}}$	$I_{OUT} = 30mA$ $V_{OUT} + 1V \leq V_{IN} \leq 6.5V$		0.03		%/V
CE "High" Voltage	VCEH	Start up	1.0			V
CE "Low" Voltage	VCEL	Shut down			0.5	V
Output noise	EN	$I_{OUT} = 40mA$, 300Hz~50kHz		50		μV_{rms}
Ripple Rejection Rate	PSRR	$V_{IN} = [V_{OUT} + 1]V + 1V_{p-pAC}$	$I_{OUT} = 10mA$, 1kHz	70		dB
			$I_{OUT} = 100mA$, 10kHz	62		

ME6211C18 ($V_{IN} = V_{OUT} + 1V$, $V_{CE} = V_{IN}$, $C_{IN} = C_L = 1\mu F$, $T_a = 25^\circ C$, unless otherwise noted)

Parameter	Symbol	Conditions	Min.	Typ.	Max.	Units
Output Voltage	$V_{OUT(E)}$ (Note 2)	$I_{OUT} = 30mA$, $V_{IN} = V_{OUT} + 1V$	X 0.99	$V_{OUT(T)}$ (Note 1)	X 1.01	V
Maximum Output Current	I_{OUTMAX}	$V_{IN} = V_{OUT} + 1V$		300		mA
Load Regulation	ΔV_{OUT}	$V_{IN} = V_{OUT} + 1V$, $1mA \leq I_{OUT} \leq 100mA$		9		mV
Dropout Voltage (Note 1)	V_{DIF1}	$I_{OUT} = 100mA$		200		mV
	V_{DIF2}	$I_{OUT} = 200mA$		400		mV
Supply Current	I_{SS}	$V_{IN} = V_{OUT} + 1V$		30	60	μA
Stand-by Current	I_{CEL}	$V_{CE} = 0V$		0.1	1.0	μA
Line Regulation	$\frac{\Delta V_{OUT}}{\Delta V_{IN} \cdot V_{OUT}}$	$I_{OUT} = 30mA$ $V_{OUT} + 1V \leq V_{IN} \leq 6.5V$		0.05		%/V
CE "High" Voltage	VCEH	Start up	1.0			V
CE "Low" Voltage	VCEL	Shut down			0.5	V
Output noise	EN	$I_{OUT} = 40mA$, 300Hz~50kHz		50		μV_{rms}
Ripple Rejection Rate	PSRR	$V_{IN} = [V_{OUT} + 1]V + 1V_{p-pAC}$	$I_{OUT} = 10mA$, 1kHz	70		dB
			$I_{OUT} = 100mA$, 10kHz	62		

ME6211C25 ($V_{IN} = V_{OUT} + 1V$, $V_{CE} = V_{IN}$, $C_{IN} = C_L = 1\mu F$, $T_a = 25^\circ C$, unless otherwise noted)

Parameter	Symbol	Conditions	Min.	Typ.	Max.	Units
Output Voltage	$V_{OUT(E)}$ (Note 2)	$I_{OUT} = 30mA$, $V_{IN} = V_{OUT} + 1V$	X 0.99	$V_{OUT(T)}$ (Note 1)	X 1.01	V
Maximum Output Current	I_{OUTMAX}	$V_{IN} = V_{OUT} + 1V$		400		mA
Load Regulation	ΔV_{OUT}	$V_{IN} = V_{OUT} + 1V$, $1mA \leq I_{OUT} \leq 100mA$		9		mV
Dropout Voltage (Note 1)	V_{DIF1}	$I_{OUT} = 100mA$		110		mV
	V_{DIF2}	$I_{OUT} = 200mA$		220		mV
Supply Current	I_{SS}	$V_{IN} = V_{OUT} + 1V$		30	60	μA
Stand-by Current	I_{CEL}	$V_{CE} = 0V$		0.1	1.0	μA
Line Regulation	$\frac{\Delta V_{OUT}}{\Delta V_{IN} \cdot V_{OUT}}$	$I_{OUT} = 30mA$ $V_{OUT} + 1V \leq V_{IN} \leq 6.5V$		0.04		%/V
CE "High" Voltage	VCEH	Start up	1.0			V
CE "Low" Voltage	VCEL	Shut down			0.5	V
Output noise	EN	$I_{OUT} = 40mA$, 300Hz~50kHz		50		μV_{rms}
Ripple Rejection Rate	PSRR	$V_{IN} = [V_{OUT} + 1]V + 1V_{p-pAC}$	$I_{OUT} = 10mA$, 1kHz	70		dB
			$I_{OUT} = 100mA$, 10kHz	62		
			$I_{OUT} = 200mA$, 10kHz	62		
Short-circuit Current	I_{SHORT}	$V_{IN} = V_{OUT} + 1V$, $V_{CE} = V_{IN}$, $V_{OUT} = 0V$		60		mA

ME6211C28 ($V_{IN} = V_{OUT} + 1V$, $V_{CE} = V_{IN}$, $C_{IN} = C_L = 1\mu F$, $T_a = 25^\circ C$, unless otherwise noted)

Parameter	Symbol	Conditions	Min.	Typ.	Max.	Units
Output Voltage	$V_{OUT(E)}$ (Note 2)	$I_{OUT} = 30mA$, $V_{IN} = V_{OUT} + 1V$	X 0.99	$V_{OUT(T)}$ (Note 1)	X 1.01	V
Maximum Output Current	I_{OUTMAX}	$V_{IN} = V_{OUT} + 1V$		450		mA
Load Regulation	ΔV_{OUT}	$V_{IN} = V_{OUT} + 1V$, $1mA \leq I_{OUT} \leq 100mA$		7		mV
Dropout Voltage (Note 1)	V_{DIF1}	$I_{OUT} = 100mA$		110		mV
	V_{DIF2}	$I_{OUT} = 200mA$		220		mV
Supply Current	I_{SS}	$V_{IN} = V_{OUT} + 1V$		30	60	μA
Stand-by Current	I_{CEL}	$V_{CE} = 0V$		0.1	1.0	μA
Line Regulation	$\frac{\Delta V_{OUT}}{\Delta V_{IN} \cdot V_{OUT}}$	$I_{OUT} = 30mA$ $V_{OUT} + 1V \leq V_{IN} \leq 6.5V$		0.04		%/V
CE "High" Voltage	VCEH	Start up	1.0			V
CE "Low" Voltage	VCEL	Shut down			0.5	V
Output noise	EN	$I_{OUT} = 40mA$, 300Hz~50kHz		50		μV_{rms}
Ripple Rejection Rate	PSRR	$V_{IN} = [V_{OUT} + 1]V$ $+ 1V_{p-pAC}$	$I_{OUT} = 10mA$, 1kHz		70	dB
			$I_{OUT} = 100mA$, 10kHz		62	
			$I_{OUT} = 200mA$, 10kHz		62	
Short-circuit Current	I_{SHORT}	$V_{IN} = V_{OUT} + 1V$, $V_{CE} = V_{IN}$, $V_{OUT} = 0V$		65		mA

ME6211C30 ($V_{IN} = V_{OUT} + 1V$, $V_{CE} = V_{IN}$, $C_{IN} = C_L = 1\mu F$, $T_a = 25^\circ C$, unless otherwise noted)

Parameter	Symbol	Conditions	Min.	Typ.	Max.	Units
Output Voltage	$V_{OUT(E)}$ (Note 2)	$I_{OUT} = 30mA$, $V_{IN} = V_{OUT} + 1V$	X 0.99	$V_{OUT(T)}$ (Note 1)	X 1.01	V
Maximum Output Current	I_{OUTMAX}	$V_{IN} = V_{OUT} + 1V$		500		mA
Load Regulation	ΔV_{OUT}	$V_{IN} = V_{OUT} + 1V$, $1mA \leq I_{OUT} \leq 100mA$		8		mV
Dropout Voltage (Note 1)	V_{DIF1}	$I_{OUT} = 100mA$		100		mV
	V_{DIF2}	$I_{OUT} = 200mA$		210		mV
Supply Current	I_{SS}	$V_{IN} = V_{OUT} + 1V$		30	60	μA
Stand-by Current	I_{CEL}	$V_{CE} = 0V$		0.1	1.0	μA
Line Regulation	$\frac{\Delta V_{OUT}}{\Delta V_{IN} \cdot V_{OUT}}$	$I_{OUT} = 30mA$ $V_{OUT} + 1V \leq V_{IN} \leq 6.5V$		0.05		%/V
CE "High" Voltage	VCEH	Start up	1.0			V
CE "Low" Voltage	VCEL	Shut down			0.5	V
Output noise	EN	$I_{OUT} = 40mA$, 300Hz~50kHz		50		μV_{rms}
Ripple Rejection Rate	PSRR	$V_{IN} = [V_{OUT} + 1]V$ $+ 1V_{p-pAC}$	$I_{OUT} = 10mA$, 1kHz		70	dB
			$I_{OUT} = 100mA$,		62	

			10kHz			
			$I_{OUT}=200mA$, 10kHz		62	
Short-circuit Current	I_{SHORT}	$V_{IN}=V_{OUT}+1V, V_{CE}=V_{IN}, V_{OUT}=0V$			65	mA

ME6211C33 ($V_{IN}=V_{OUT}+1V, V_{CE}=V_{IN}, C_{IN}=C_L=1\mu F, T_a=25^\circ C$, unless otherwise noted)

Parameter	Symbol	Conditions	Min.	Typ.	Max.	Units	
Output Voltage	$V_{OUT(E)}$ (Note 2)	$I_{OUT}=30mA$, $V_{IN}=V_{OUT}+1V$	X 0.99	$V_{OUT(T)}$ (Note 1)	X 1.01	V	
Maximum Output Current	I_{OUTMAX}	$V_{IN}=V_{OUT}+1V$		500		mA	
Load Regulation	ΔV_{OUT}	$V_{IN}=V_{OUT}+1V$, $1mA \leq I_{OUT} \leq 100mA$		9		mV	
Dropout Voltage (Note 1)	V_{DIF1}	$I_{OUT}=100mA$		120		mV	
	V_{DIF2}	$I_{OUT}=200mA$		260		mV	
Supply Current	I_{SS}	$V_{IN}=V_{OUT}+1V$		30	60	μA	
Stand-byCurrent	I_{CEL}	$V_{CE}=0V$		0.1	1.0	μA	
Line Regulation	$\frac{\Delta V_{OUT}}{\Delta V_{IN} \cdot V_{OUT}}$	$I_{OUT}=30mA$ $V_{OUT}+1V \leq V_{IN} \leq 6.5V$		0.05		%/V	
CE "High" Voltage	V_{CEH}	Start up	1.0			V	
CE "Low" Voltage	V_{CEL}	Shut down			0.5	V	
Output noise	EN	$I_{OUT}=40mA, 300Hz \sim 50kHz$		50		μV_{rms}	
Ripple Rejection Rate	PSRR	$V_{IN}=[V_{OUT}+1]V$ $+1Vp-pAC$	$I_{OUT}=10mA$, 1kHz		70		dB
			$I_{OUT}=100mA$, 10kHz		62		
			$I_{OUT}=200mA$, 10kHz		62		
Short-circuit Current	I_{SHORT}	$V_{IN}=V_{OUT}+1V, V_{CE}=V_{IN}, V_{OUT}=0V$		70		mA	

ME6211C33 (SOT343R, FBP1*1-4L, SOT353)

($V_{IN}=V_{OUT}+1V, V_{CE}=V_{IN}, C_{IN}=C_L=1\mu F, T_a=25^\circ C$, unless otherwise noted)

Parameter	Symbol	Conditions	Min.	Typ.	Max.	Units
Output Voltage	$V_{OUT(E)}$ (Note 2)	$I_{OUT}=30mA$, $V_{IN}=V_{OUT}+1V$	X 0.99	$V_{OUT(T)}$ (Note 1)	X 1.01	V
Maximum Output Current	I_{OUTMAX}	$V_{IN}=V_{OUT}+1V$		400		mA
Load Regulation	ΔV_{OUT}	$V_{IN}=V_{OUT}+1V$, $1mA \leq I_{OUT} \leq 100mA$		9		mV
Dropout Voltage (Note 1)	V_{DIF1}	$I_{OUT}=100mA$		120		mV
	V_{DIF2}	$I_{OUT}=200mA$		260		mV
Supply Current	I_{SS}	$V_{IN}=V_{OUT}+1V$		30	60	μA
Stand-byCurrent	I_{CEL}	$V_{CE}=0V$		0.1	1.0	μA
Line Regulation	$\frac{\Delta V_{OUT}}{\Delta V_{IN} \cdot V_{OUT}}$	$I_{OUT}=30mA$ $V_{OUT}+1V \leq V_{IN} \leq 6.5V$		0.05		%/V
CE "High" Voltage	V_{CEH}	Start up	1.0			V

CE "Low" Voltage	VCEL	Shut down			0.5	V
Output noise	EN	$I_{OUT} = 40\text{mA}$, 300Hz~50kHz			50	μVrms
Ripple Rejection Rate	PSRR	$V_{IN} = [V_{OUT} + 1]\text{V} + 1\text{Vp-pAC}$	$I_{OUT} = 10\text{mA}$, 1kHz		70	dB
			$I_{OUT} = 100\text{mA}$, 10kHz		62	
			$I_{OUT} = 200\text{mA}$, 10kHz		62	
Short-circuit Current	I_{SHORT}	$V_{IN} = V_{OUT} + 1\text{V}$, $V_{CE} = V_{IN}$, $V_{OUT} = 0\text{V}$			70	mA

ME6211C50 ($V_{IN} = V_{OUT} + 1\text{V}$, $V_{CE} = V_{IN}$, $C_{IN} = C_L = 1\mu\text{F}$, $T_a = 25^\circ\text{C}$, unless otherwise noted)

Parameter	Symbol	Conditions	Min.	Typ.	Max.	Units
Output Voltage	$V_{OUT(E)}$ (Note 2)	$I_{OUT} = 30\text{mA}$, $V_{IN} = V_{OUT} + 1\text{V}$	X 0.99	$V_{OUT(T)}$ (Note 1)	X 1.01	V
Maximum Output Current	I_{OUTMAX}	$V_{IN} = V_{OUT} + 1\text{V}$		500		mA
Load Regulation	ΔV_{OUT}	$V_{IN} = V_{OUT} + 1\text{V}$, $1\text{mA} \leq I_{OUT} \leq 100\text{mA}$		8		mV
Dropout Voltage (Note 1)	V_{DIF1}	$I_{OUT} = 100\text{mA}$		100		mV
	V_{DIF2}	$I_{OUT} = 200\text{mA}$		200		mV
Supply Current	I_{SS}	$V_{IN} = V_{OUT} + 1\text{V}$		40	60	μA
Stand-by Current	I_{CEL}	$V_{CE} = 0\text{V}$		0.1	1.0	μA
Line Regulation	$\frac{\Delta V_{OUT}}{\Delta V_{IN} \cdot V_{OUT}}$	$I_{OUT} = 30\text{mA}$ $V_{OUT} + 1\text{V} \leq V_{IN} \leq 6.5\text{V}$		0.05		%/V
CE "High" Voltage	VCEH	Start up	1.0			V
CE "Low" Voltage	VCEL	Shut down			0.7	V
Output noise	EN	$I_{OUT} = 40\text{mA}$, 300Hz~50kHz			50	μVrms
Ripple Rejection Rate	PSRR	$V_{IN} = [V_{OUT} + 1]\text{V} + 1\text{Vp-pAC}$	$I_{OUT} = 10\text{mA}$, 1kHz		70	dB
			$I_{OUT} = 100\text{mA}$, 10kHz		62	
			$I_{OUT} = 200\text{mA}$, 10kHz		62	
Short-circuit Current	I_{SHORT}	$V_{IN} = V_{OUT} + 1\text{V}$, $V_{CE} = V_{IN}$, $V_{OUT} = 0\text{V}$			100	mA

ME6211A30 ($V_{IN} = V_{OUT} + 1\text{V}$, $C_{IN} = C_L = 1\mu\text{F}$, $T_a = 25^\circ\text{C}$, unless otherwise noted)

Parameter	Symbol	Conditions	Min.	Typ.	Max.	Units
Output Voltage	$V_{OUT(E)}$ (Note 2)	$I_{OUT} = 30\text{mA}$, $V_{IN} = V_{OUT} + 1\text{V}$	X 0.99	$V_{OUT(T)}$ (Note 1)	X 1.01	V
Maximum Output Current	I_{OUTMAX}	$V_{IN} = V_{OUT} + 1\text{V}$		500		mA
Load Regulation	ΔV_{OUT}	$V_{IN} = V_{OUT} + 1\text{V}$, $1\text{mA} \leq I_{OUT} \leq 100\text{mA}$		8		mV
Dropout Voltage	V_{DIF1}	$I_{OUT} = 100\text{mA}$		100		mV

(Note 1)	V_{DIF2}	$I_{OUT} = 200mA$		210		mV
Supply Current	I_{SS}	$V_{IN} = V_{OUT} + 1V$		30	60	μA
Line Regulation	$\frac{\Delta V_{OUT}}{\Delta V_{IN} \cdot V_{OUT}}$	$I_{OUT} = 30mA$ $V_{OUT} + 1V \leq V_{IN} \leq 6.5V$		0.05		%/V
Output noise	EN	$I_{OUT} = 40mA, 300Hz \sim 50kHz$		50		μV_{rms}
Ripple Rejection Rate	PSRR	$V_{IN} = [V_{OUT} + 1]V + 1V_{p-pAC}$	$I_{OUT} = 10mA, 1kHz$	70		dB
			$I_{OUT} = 100mA, 10kHz$	62		
			$I_{OUT} = 200mA, 10kHz$	62		
Short-circuit Current	I_{SHORT}	$V_{IN} = V_{OUT} + 1V, V_{CE} = V_{IN}, V_{OUT} = 0V$		65		mA

ME6211A33 ($V_{IN} = V_{OUT} + 1V, C_{IN} = C_L = 1\mu F, T_a = 25^\circ C$, unless otherwise noted)

Parameter	Symbol	Conditions	Min.	Typ.	Max.	Units
Output Voltage	$V_{OUT(E)}$ (Note 2)	$I_{OUT} = 30mA,$ $V_{IN} = V_{OUT} + 1V$	X 0.99	$V_{OUT(T)}$ (Note 1)	X 1.01	V
Maximum Output Current	I_{OUTMAX}	$V_{IN} = V_{OUT} + 1V$		500		mA
Load Regulation	ΔV_{OUT}	$V_{IN} = V_{OUT} + 1V,$ $1mA \leq I_{OUT} \leq 100mA$		9		mV
Dropout Voltage (Note 1)	V_{DIF1}	$I_{OUT} = 100mA$		120		mV
	V_{DIF2}	$I_{OUT} = 200mA$		260		mV
Supply Current	I_{SS}	$V_{IN} = V_{OUT} + 1V$		30	60	μA
Line Regulation	$\frac{\Delta V_{OUT}}{\Delta V_{IN} \cdot V_{OUT}}$	$I_{OUT} = 30mA$ $V_{OUT} + 1V \leq V_{IN} \leq 6.5V$		0.1	1.0	%/V
Output noise	EN	$I_{OUT} = 40mA, 300Hz \sim 50kHz$		50		μV_{rms}
Ripple Rejection Rate	PSRR	$V_{IN} = [V_{OUT} + 1]V + 1V_{p-pAC}$	$I_{OUT} = 10mA, 1kHz$	70		dB
			$I_{OUT} = 100mA, 10kHz$	62		
			$I_{OUT} = 200mA, 10kHz$	62		
Short-circuit Current	I_{SHORT}	$V_{IN} = V_{OUT} + 1V, V_{OUT} = 0V$		70		mA

ME6211A25 ($V_{IN} = V_{OUT} + 1V, C_{IN} = C_L = 1\mu F, T_a = 25^\circ C$, unless otherwise noted)

Parameter	Symbol	Conditions	Min.	Typ.	Max.	Units
Output Voltage	$V_{OUT(E)}$ (Note 2)	$I_{OUT} = 30mA,$ $V_{IN} = V_{OUT} + 1V$	X 0.99	$V_{OUT(T)}$ (Note 1)	X 1.01	V
Maximum Output Current	I_{OUTMAX}	$V_{IN} = V_{OUT} + 1V$		400		mA
Load Regulation	ΔV_{OUT}	$V_{IN} = V_{OUT} + 1V,$ $1mA \leq I_{OUT} \leq 100mA$		9		mV
Dropout Voltage (Note 1)	V_{DIF1}	$I_{OUT} = 100mA$		80		mV
	V_{DIF2}	$I_{OUT} = 200mA$		180		mV
Supply Current	I_{SS}	$V_{IN} = V_{OUT} + 1V$		30	60	μA

Line Regulation	$\frac{\Delta V_{OUT}}{\Delta V_{IN} \cdot V_{OUT}}$	$I_{OUT} = 30mA$ $V_{OUT}+1V \leq V_{IN} \leq 6.5V$		0.1	1.0	%/V
Output noise	EN	$I_{OUT} = 40mA$, 300Hz~50kHz		50		uVrms
Ripple Rejection Rate	PSRR	$V_{IN} = [V_{OUT} + 1]V$ $+1Vp-pAC$	$I_{OUT} = 10mA$ 1kHz	70		dB
			$I_{OUT} = 100mA$, 10kHz	62		
			$I_{OUT} = 200mA$, 10kHz	62		
Short-circuit Current	I_{SHORT}	$V_{IN} = V_{OUT} + 1V$, $V_{OUT} = 0V$		60		mA

ME6211H15

($V_{IN} = V_{OUT} + 1V$, $V_{CE} = GND$, $C_{IN} = C_L = 1\mu F$, $T_a = 25^\circ C$, unless otherwise noted)

Parameter	Symbol	Conditions	Min.	Typ.	Max.	Units
Output Voltage	$V_{OUT}(E)$ (Note 2)	$I_{OUT} = 30mA$, $V_{IN} = V_{OUT} + 1V$	X 0.98	$V_{OUT}(T)$ (Note 1)	X 1.02	V
Maximum Output Current	I_{OUTMAX}	$V_{IN} = V_{OUT} + 1V$		300		mA
Load Regulation	ΔV_{OUT}	$V_{IN} = V_{OUT} + 1V$, $1mA \leq I_{OUT} \leq 100mA$		9		mV
Dropout Voltage (Note 1)	V_{DIF1}	$I_{OUT} = 100mA$		200		mV
	V_{DIF2}	$I_{OUT} = 200mA$		400		mV
Supply Current	I_{SS}	$V_{IN} = V_{OUT} + 1V$		30	60	μA
Stand-by Current	I_{CEL}	$V_{CE} = V_{IN}$		0.1	1.0	μA
Line Regulation	$\frac{\Delta V_{OUT}}{\Delta V_{IN} \cdot V_{OUT}}$	$I_{OUT} = 30mA$ $V_{OUT} + 1V \leq V_{IN} \leq 6.5V$		0.05		%/V
CE "High" Voltage	VCEH	Shut down	1.0			V
CE "Low" Voltage	VCEL	Start up			0.4	V
Output noise	EN	$I_{OUT} = 40mA$, 300Hz~50kHz		50		uVrms
Ripple Rejection Rate	PSRR	$V_{IN} = [V_{OUT} + 1]V + 1Vp-pAC$	$I_{OUT} = 10mA$, 1kHZ	70		dB

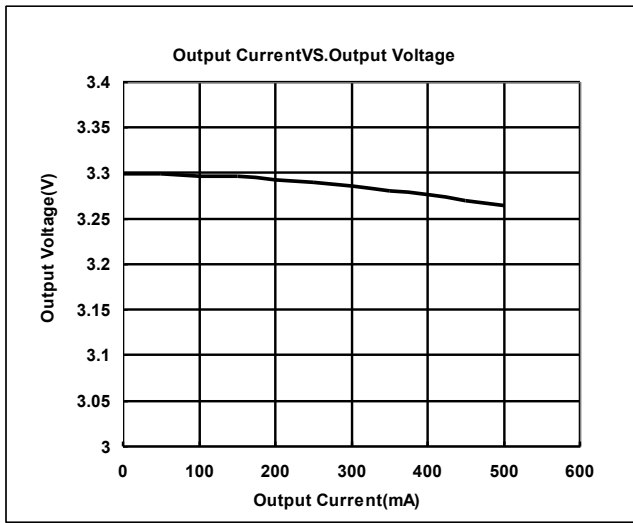
Note :

- $V_{OUT}(T)$: Specified Output Voltage
- $V_{OUT}(E)$: Effective Output Voltage (i.e. The output voltage when " $V_{OUT}(T) + 1.0V$ " is provided at the Vin pin while maintaining a certain Iout value.)
- V_{DIF} : $V_{IN1} - V_{OUT}(E)'$
 V_{IN1} : The input voltage when $V_{OUT}(E)'$ appears as input voltage is gradually decreased.
 $V_{OUT}(E)'$ = A voltage equal to 98% of the output voltage whenever an amply stabilized Iout { $V_{OUT}(T) + 1.0V$ } is input.

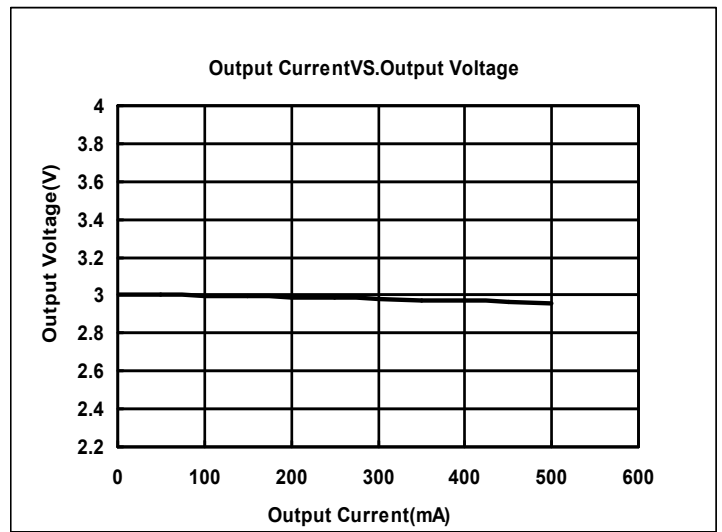
Type Characteristics

(1) Output Current VS. Output Voltage ($V_{IN}=V_{out}+1$, $T_a = 25^\circ C$)

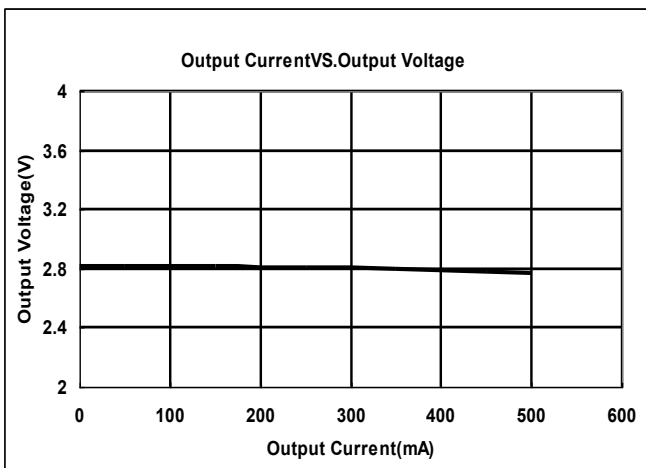
ME6211C33M5G



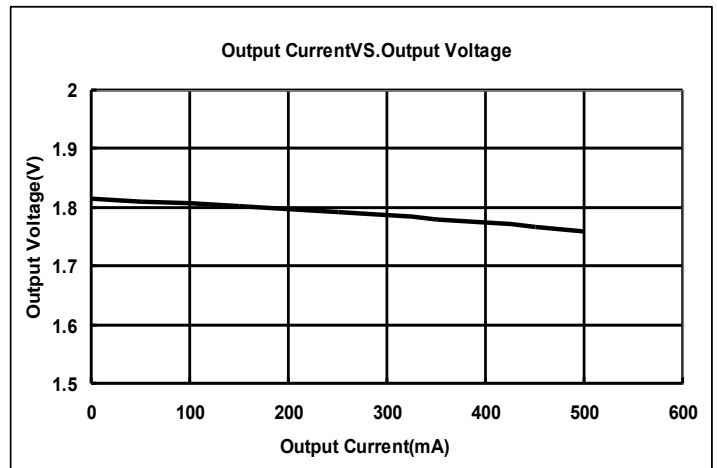
ME6211C30M5G



ME6211C28M5G

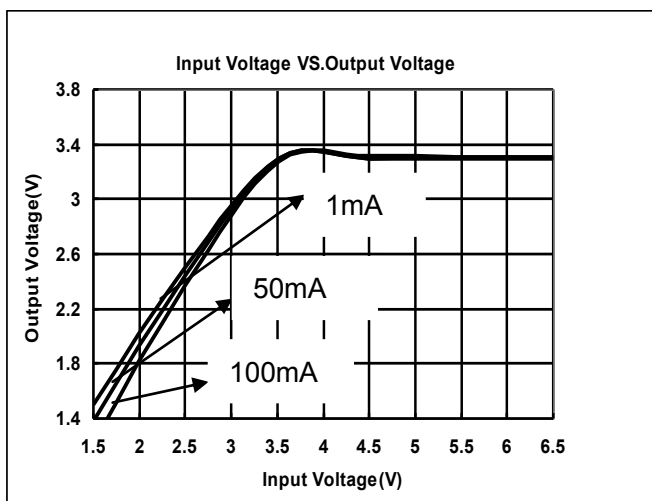


ME6211C18M5G

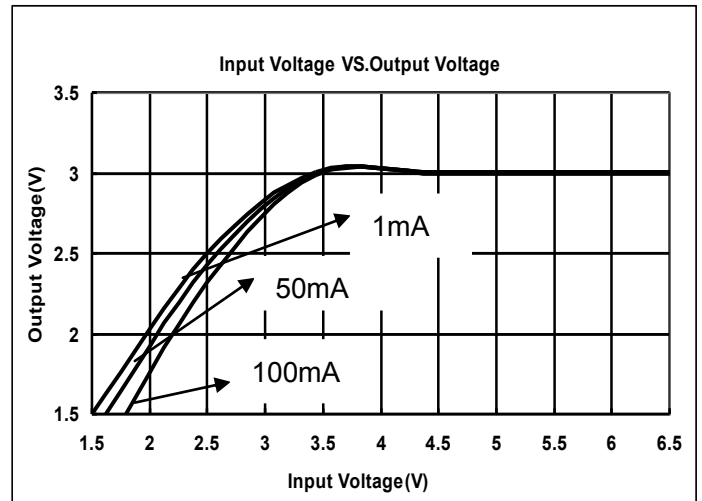


(2) Input Voltage VS. Output Voltage ($T_a = 25^\circ C$)

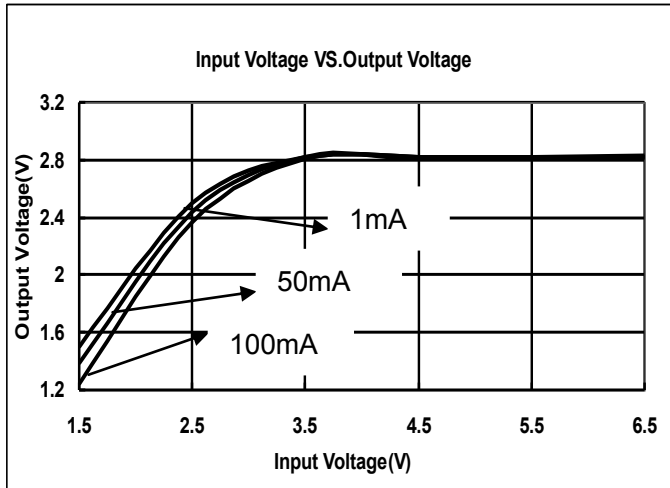
ME6211C33M5G



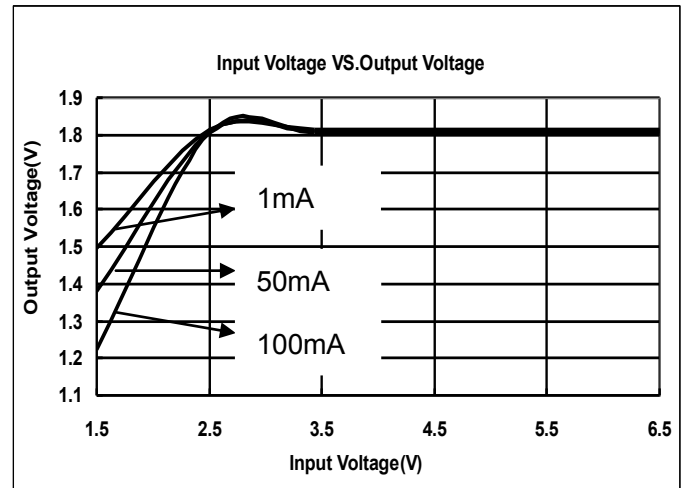
ME6211C30M5G



ME6211C28M5G

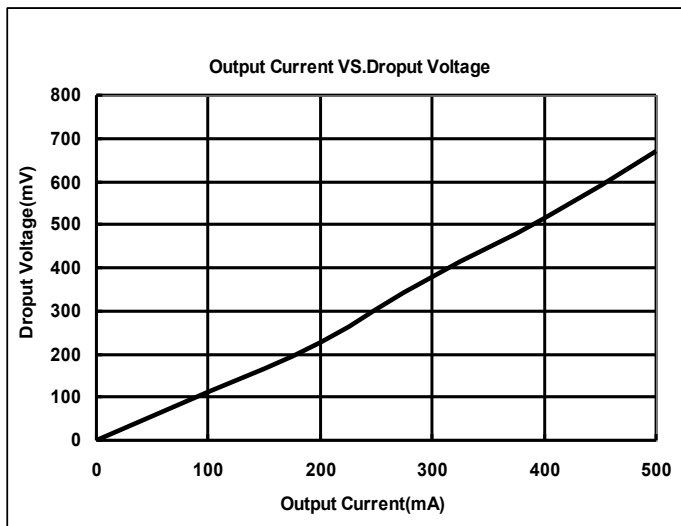


ME6211C18M5G

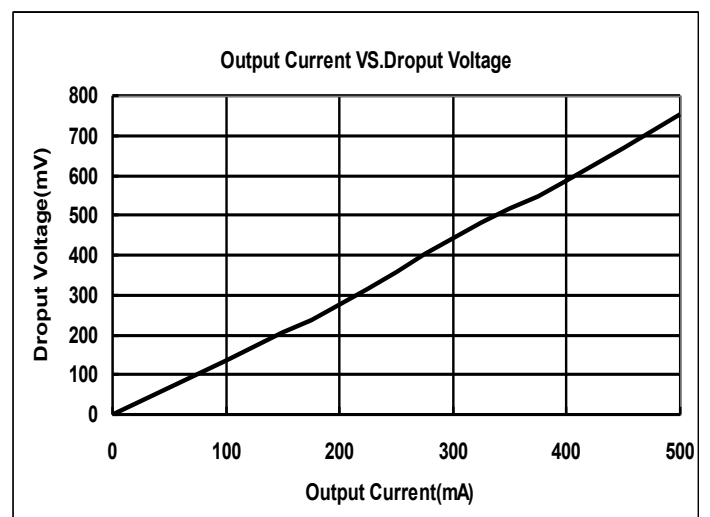


(3) Output Current VS. Dropout Voltage ($V_{IN}=V_{out}+1V, T_a = 25^\circ C$)

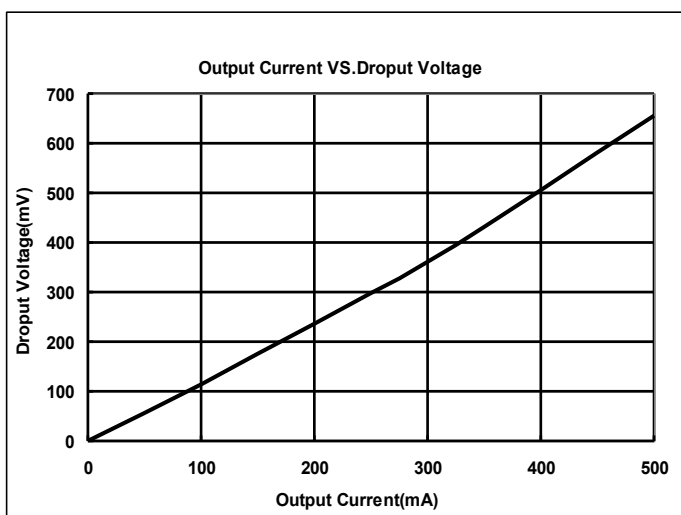
ME6211C33M5G



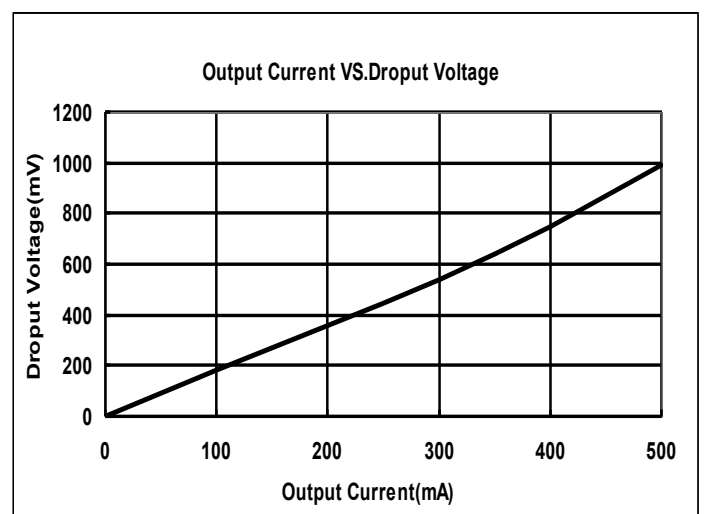
ME6211C30M5G



ME6211C28M5G

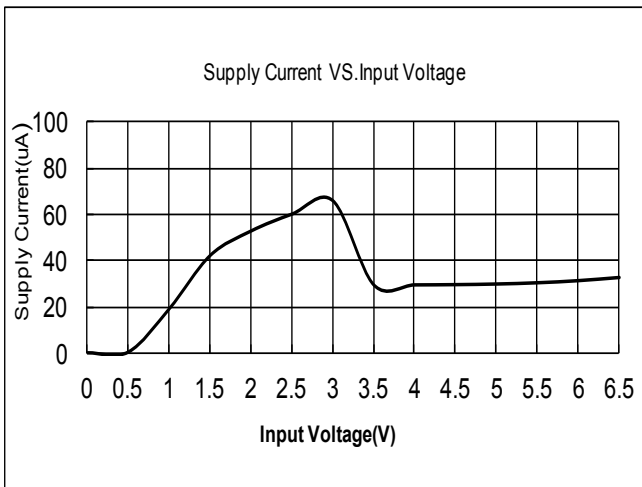


ME6211C18M5G

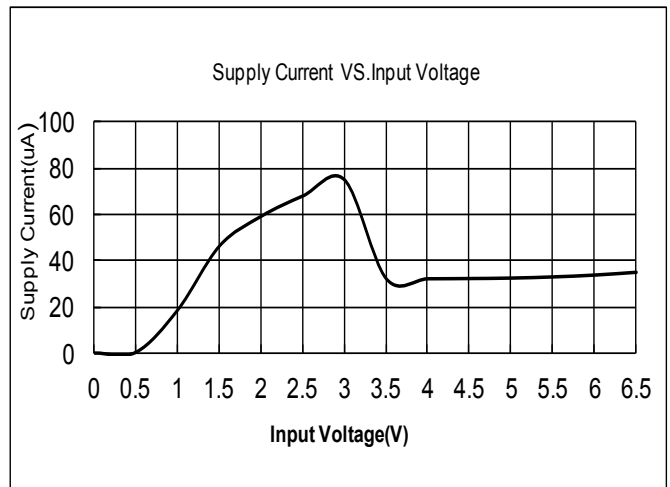


(4) Input Voltage VS. Supply Current (Ta = 25 °C)

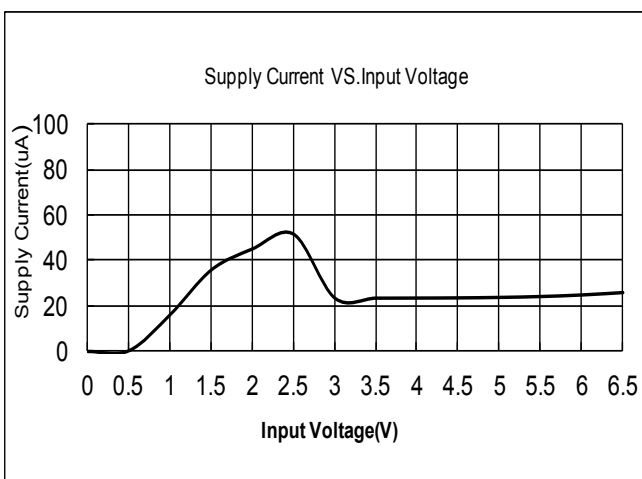
ME6211C33M5G



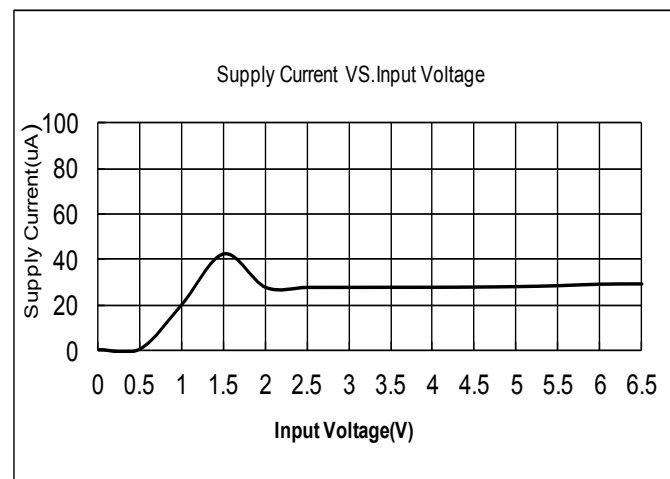
ME6211C30M5G



ME6211C28M5G

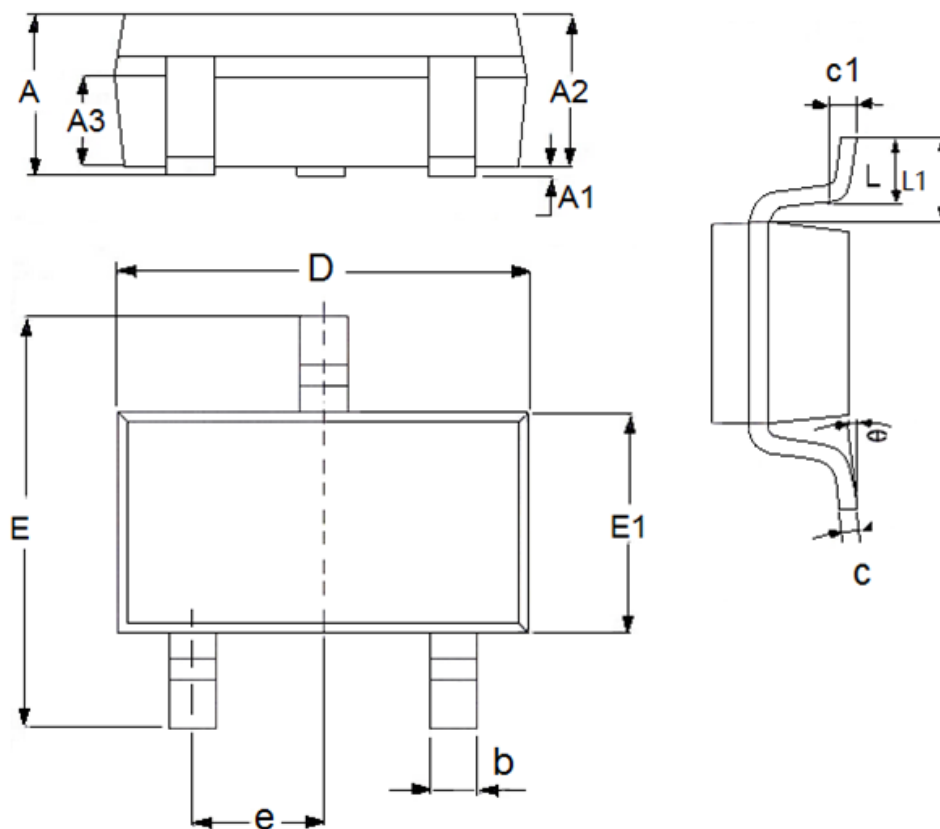


ME6211C18M5G



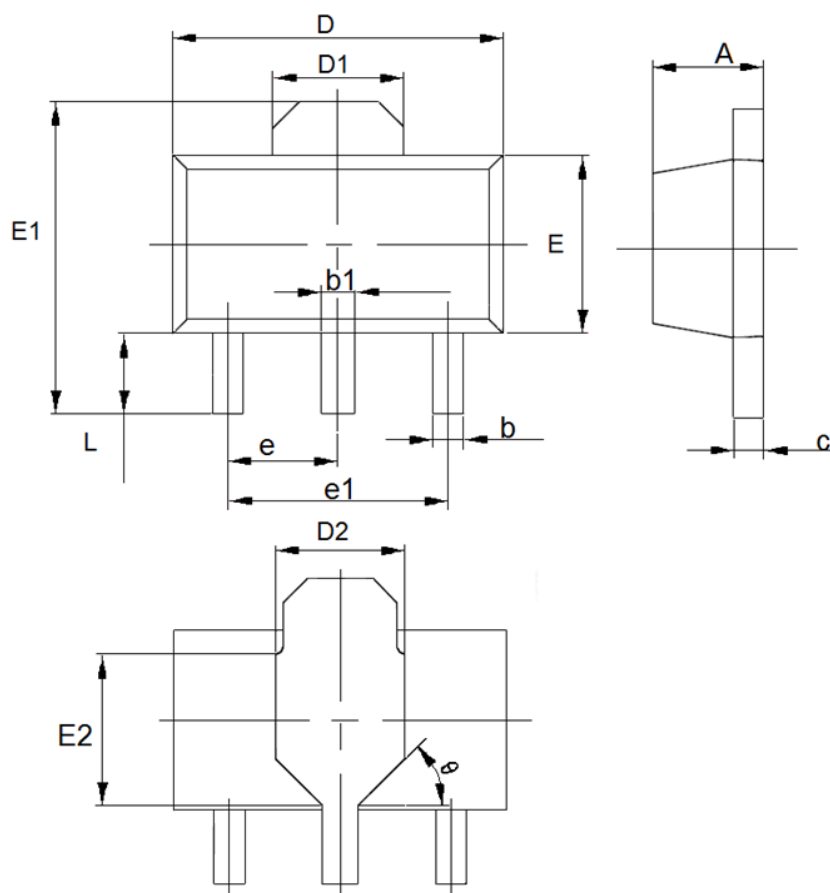
Packaging Information

● SOT23-3



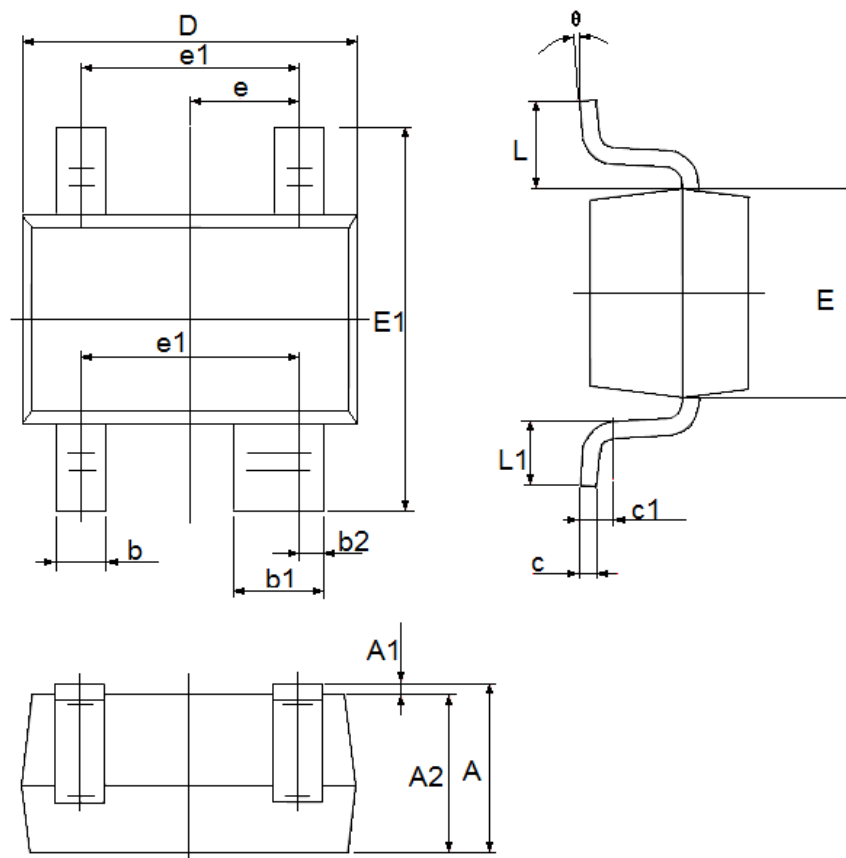
DIM	Millimeters		Inches	
	Min	Max	Min	Max
A	1	1.5	0.0394	0.0591
A1	0	0.15	0	0.0059
A2	0.9	1.3	0.0354	0.0512
A3	0.6	0.7	0.0236	0.0276
b	0.25	0.5	0.0098	0.0197
c	0.1	0.25	0.0039	0.0098
D	2.8	3.1	0.1102	0.122
E	2.6	3.1	0.1023	0.122
E1	1.5	1.8	0.0591	0.0709
e	0.95(TYP)		0.0374(TYP)	
L	0.25	0.6	0.0098	0.0236
L1	0.59(TYP)		0.0232(TYP)	
θ	0	8°	0	8°
c1	0.2(TYP)		0.0079(TYP)	

● SOT89-3



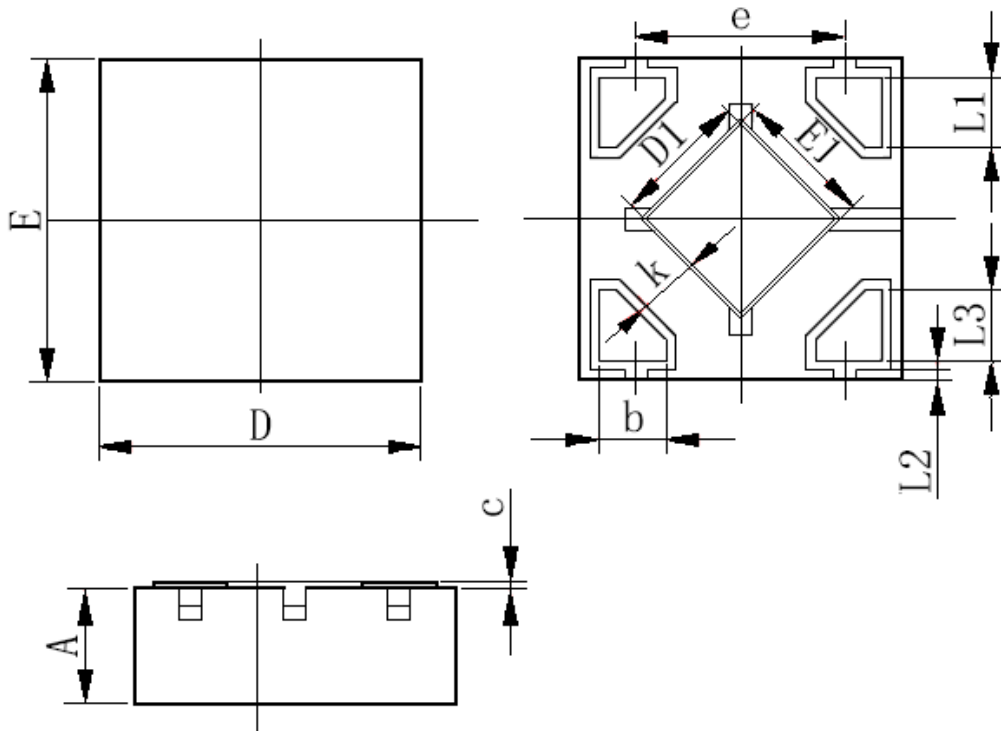
DIM	Millimeters		Inches	
	Min	Max	Min	Max
A	1.4	1.6	0.0551	0.063
b	0.32	0.52	0.0126	0.0205
b1	0.4	0.58	0.0157	0.0228
c	0.35	0.45	0.0138	0.01772
D	4.4	4.6	0.1732	0.1811
D1	1.55(TYP)		0.061(TYP)	
D2	1.75(TYP)		0.0689(TYP)	
e1	3(TYP)		0.1181(TYP)	
E	2.3	2.6	0.0906	0.1023
E1	3.94	4.4	0.1551	0.1732
E2	1.9(TYP)		0.0748(TYP)	
e	1.5(TYP)		0.0591(TYP)	
L	0.8	1.2	0.0315	0.0472
θ	45°		45°	

● SOT343R



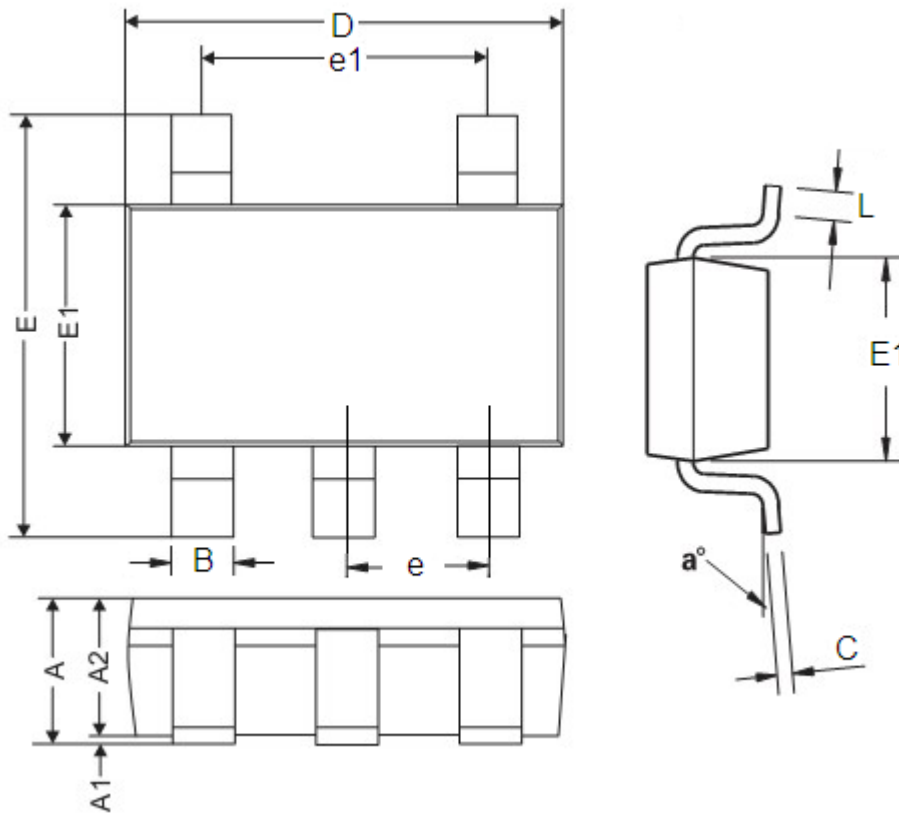
DIM	Millimeters		Inches	
	Min	Max	Min	Max
A	0.900	1.100	0.035	0.043
A1	0.000	0.100	0.000	0.004
A2	0.900	1.000	0.035	0.039
b	0.150	0.350	0.006	0.014
b1	0.350	0.500	0.014	0.020
b2	0.075	0.175	0.003	0.007
c	0.080	0.150	0.003	0.006
D	2.000	2.200	0.079	0.087
E	1.100	1.400	0.043	0.055
E1	2.100	2.500	0.083	0.098
e	0.65TYP		0.026TYP	
e1	1.200	1.400	0.047	0.055
L	0.525REF		0.021REF	
L1	0.260	0.460	0.010	0.018
θ	0°	8°	0°	8°
c1	0.200		0.008	

● FBP1*1-4L



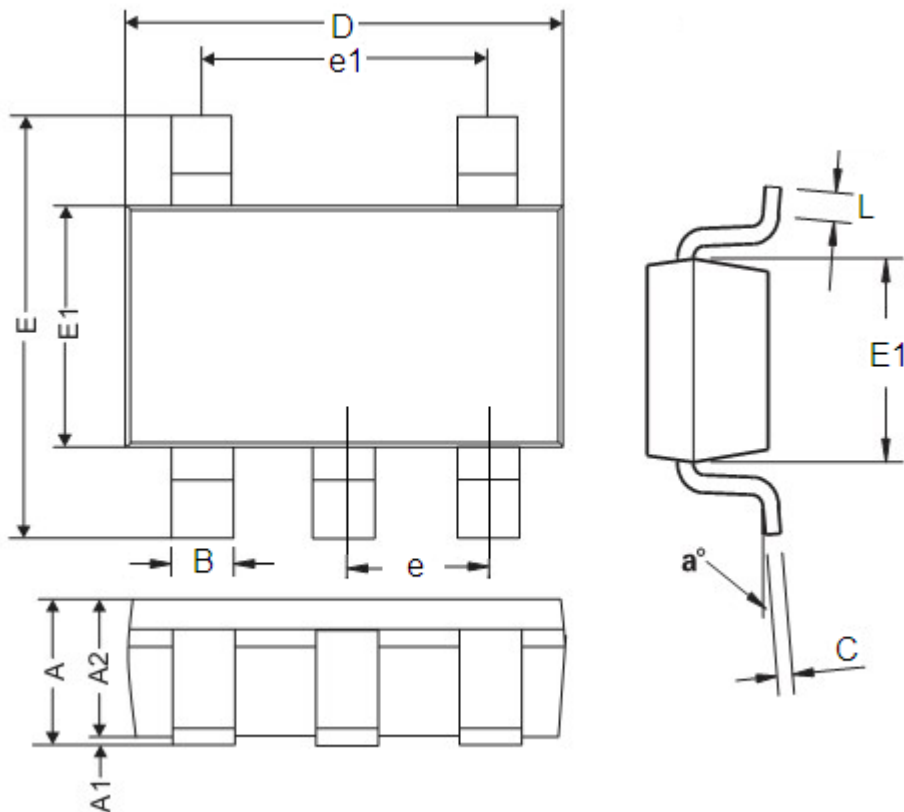
DIM	Millimeters		Inches	
	Min	Max	Min	Max
A	0.330	0.410	0.013	0.016
D	0.950	1.100	0.037	0.043
E	0.950	1.100	0.037	0.043
D1	0.370	0.470	0.015	0.019
E1	0.370	0.470	0.015	0.019
k	0.170MIN		0.007MIN	
b	0.160	0.260	0.060	0.010
c	0.010	0.090	0.000	0.004
e	0.600	0.700	0.024	0.028
L1	0.185	0.255	0.007	0.010
L2	0.030REF		0.001REF	
L3	0.185	0.255	0.007	0.010

● SOT23-5



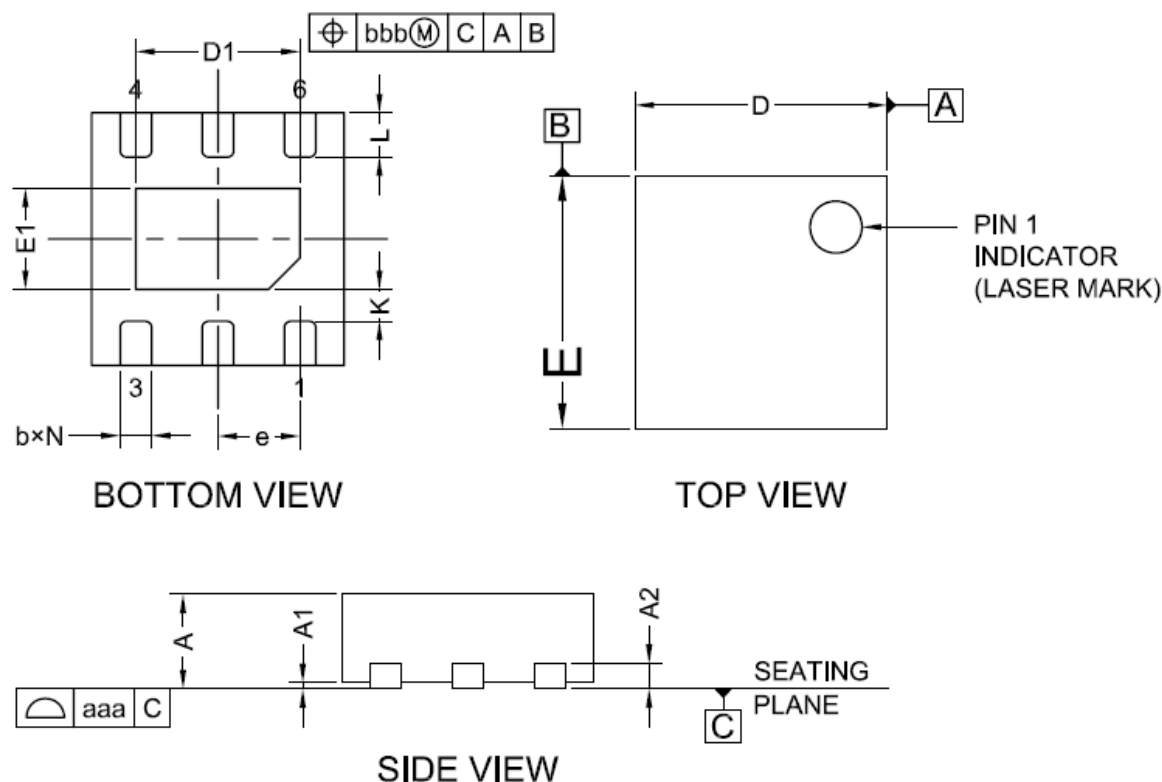
DIM	Millimeters		Inches	
	Min	Max	Min	Max
A	1.05	1.45	0.0413	0.0570
A1	0	0.15	0	0.0059
A2	0.9	1.3	0.0354	0.0511
B	0.25	0.5	0.0098	0.0196
C	0.10	0.23	0.0039	0.0090
D	2.82	3.05	0.1110	0.1200
E	2.60	3.05	0.1023	0.1200
E1	1.50	1.75	0.0590	0.0688
e	0.95REF		0.0374REF	
e1	1.90REF		0.0748REF	
L	0.10	0.60	0.0039	0.0236
a°	0°	30°	0°	30°

● SOT353



DIM	Millimeters		Inches	
	Min	Max	Min	Max
A	0.9	1.1	0.035	0.043
A1	0.0	0.10	0.00	0.004
A2	0.9	1.0	0.035	0.039
B	0.15	0.35	0.006	0.014
C	0.08	0.15	0.003	0.006
D	2.0	2.2	0.079	0.087
E	2.15	2.45	0.085	0.096
E1	1.15	1.35	0.045	0.096
e	0.65 REF		0.026 REF	
e1	1.20	1.4	0.047	0.055
L	0.26	0.46	0.01	0.018
a°	0°	8°	0°	8°

● DFN2*2-6L



DIM	Dimension (mm)		
	Min	Typ	Max
A	0.70	0.75	0.80
A1	0.00	0.02	0.05
A2	0.203 REF		
b	0.20	0.25	0.30
D	1.95	2.00	2.05
D1	1.20	1.30	1.40
E	1.95	2.00	2.05
E1	0.70	0.80	0.90
e	0.65 REF		
L	0.30	0.35	0.40
K	0.20 min		
N	6		
aaa	0.08		
bbb	0.10		

- The information described herein is subject to change without notice.
- Nanjing Micro One Electronics Inc is not responsible for any problems caused by circuits or diagrams described herein whose related industrial properties, patents, or other rights belong to third parties. The application circuit examples explain typical applications of the products, and do not guarantee the success of any specific mass-production design.
- Use of the information described herein for other purposes and/or reproduction or copying without the express permission of Nanjing Micro One Electronics Inc is strictly prohibited.
- The products described herein cannot be used as part of any device or equipment affecting the human body, such as exercise equipment, medical equipment, security systems, gas equipment, or any apparatus installed in airplanes and other vehicles, without prior written permission of Nanjing Micro One Electronics Inc.
- Although Nanjing Micro One Electronics Inc exerts the greatest possible effort to ensure high quality and reliability, the failure or malfunction of semiconductor products may occur. The user of these products should therefore give thorough consideration to safety design, including redundancy, fire-prevention measures, and malfunction prevention, to prevent any accidents, fires, or community damage that may ensue.

X-ON Electronics

Largest Supplier of Electrical and Electronic Components

Click to view similar products for [LDO Voltage Regulators](#) category:

Click to view products by [Micro One](#) manufacturer:

Other Similar products are found below :

[M38D29FFHP#U1](#) [702103A](#) [717726C](#) [742457H](#) [MP20051DN-LF-Z](#) [R5F111PGGFB#30](#) [AP7363-SP-13](#) [NCP103AMX285TCG](#)
[NCV8664CST33T3G](#) [NCV8752AMX28TCG](#) [L9454](#) [AP7362-HA-7](#) [LX13043CLD](#) [TCR3DF185,LM\(CT](#) [TCR3DF24,LM\(CT](#)
[TCR3DF285,LM\(CT](#) [TCR3DF31,LM\(CT](#) [TCR3DF45,LM\(CT](#) [TLF4949EJ](#) [L9708](#) [L970813TR](#) [030014BB](#) [059985X](#) [EAN61387601](#)
[EAN61573601](#) [NCP121AMX173TCG](#) [NCP4687DH15T1G](#) [NCV8703MX30TCG](#) [701326R](#) [702087BB](#) [755078E](#) [TCR2EN28,LF\(S](#)
[LM1117DT-1.8/NO](#) [LT1086CM#TRPBF](#) [AZ1085S2-1.5TRE1](#) [MAX15101EWL+T](#) [NCV8170AXV250T2G](#) [SCD337BTG](#)
[TCR3DF27,LM\(CT](#) [TCR3DF19,LM\(CT](#) [TCR3DF125,LM\(CT](#) [TCR2EN18,LF\(S](#) [MAX15103EWL+T](#) [TS2937CZ-5.0 C0](#) [MAX8878EUK30-](#)
[T](#) [MAX663CPA](#) [NCV4269CPD50R2G](#) [NCV8716MT30TBG](#) [AZ1117IH-1.2TRG1](#) [MP2013GQ-P](#)