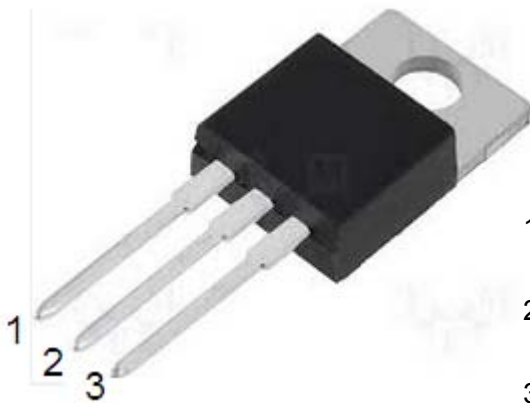


1.2A 3-Terminal Positive Voltage Regulator ME7805

General Description

ME7805 is three-terminal positive regulators. One of these regulators can deliver up to 1.2A of output current. The internal limiting and thermal-shutdown features of the regulator make them essentially immune to overload. When used as a replacement for a zener diode-resistor combination, an effective improvement in output impedance can be obtained, together with lower quiescent current.

Pin Configuration



1. Input
2. GND
3. Output

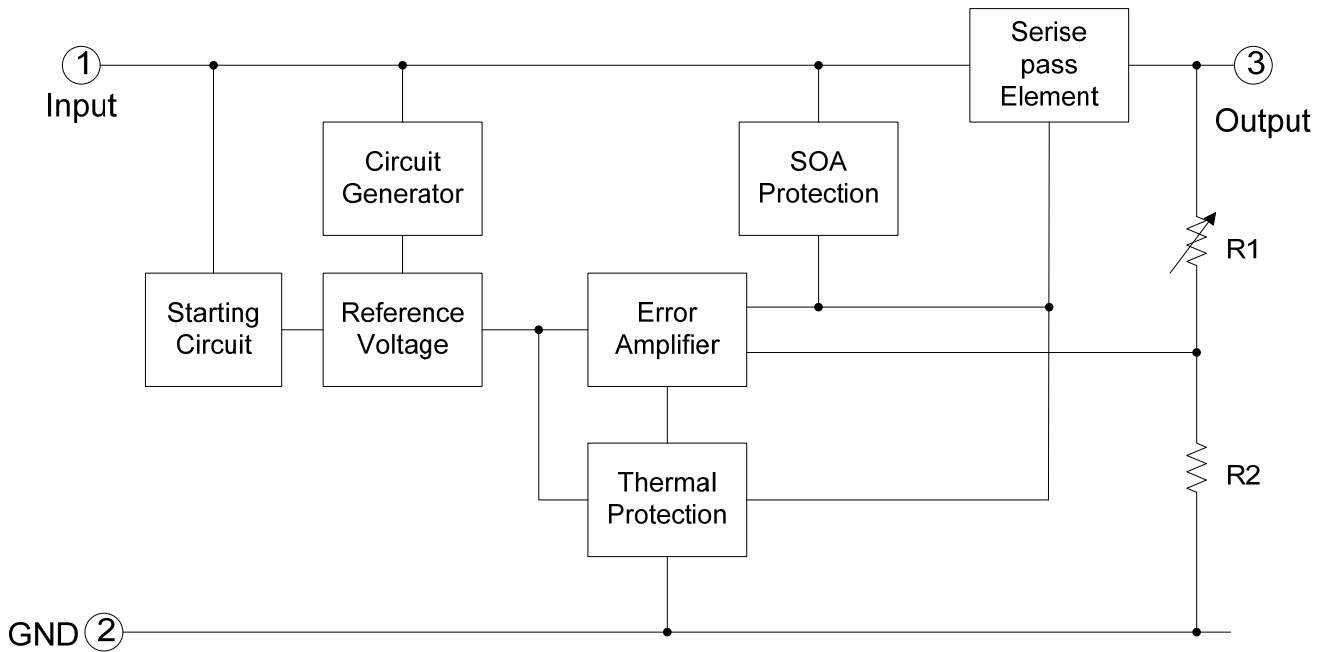
Maximum Ratings(Ta=25°C)

Parameter	Rating	Unit
Input supply voltage : VIN	35	V
MAX. Output current:I _{out}	1200	mA
Maximum junction temperature: T _j	-25~125	°C
Storage temperature :T _{str}	-65~150	°C
Soldering temperature and time	+260 (Recommended 10S)	°C

Caution: The absolute maximum ratings are rated values exceeding which the product could suffer physical damage.

These values must therefore not be exceeded under any conditions.

Block Diagram



Electrical Characteristics

($C_{in} = 0.33\mu F$, $C_o = 0.1\mu F$, $0 \leq T_j \leq 125^\circ C$, unless otherwise noted)

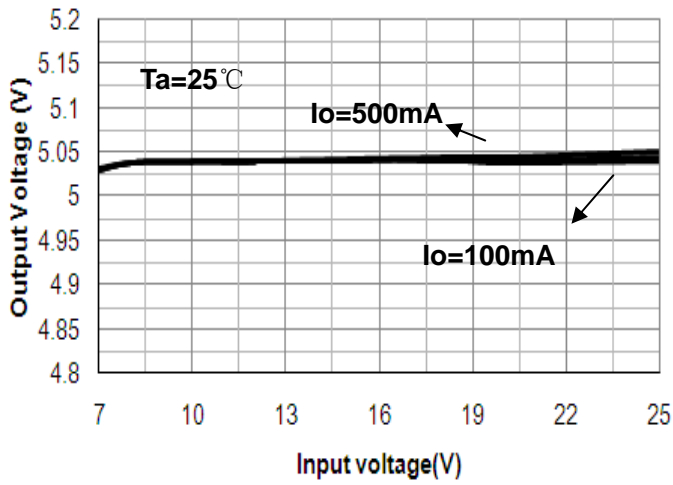
Parameter	Symbol	Conditions	Min.	Typ.	Max.	Unit
Output Voltage	V_o	$I_o = 500mA$, $V_{IN} = 10V$	4.8	5.0	5.25	V
		$I_o = 1mA \sim 1A$, $P_o \leq 15W$ $V_{IN} = 8V \sim 20V$	4.65	5.0	5.35	
Line Regulations	LNR	$V_{IN} = 7V \sim 25V$, $I_o = 500mA$	-	3	50	mV
		$V_{IN} = 8V \sim 25V$, $I_o = 500mA$	-	1	25	
Load Regulation	LDR	$V_{IN} = 10V$, $I_o = 5mA \sim 1.2A$	-	-	100	mV
		$V_{IN} = 10V$, $I_o = 250mA \sim 750mA$	-	-	25	
Dropout Voltage	V_{DIF}	$T_j = 25^\circ C$, $I_o = 100mA$	-	2	-	V
Output noise Voltage	V_N	$f = 10Hz$ to $100KHz$	-	10	-	$\mu V/V_o$
Ripple Rejection	PSRR	$T_j = 25^\circ C$, $f = 120Hz$, $I_o = 40mA$ $V_{IN} = 8V \sim 20V$	-	68	-	dB
Quiescent Current	I_Q	$V_{IN} = 10V$, $I_{OUT} = 500mA$	-	-	6.0	mA
Quiescent Current Change	ΔI_Q	$V_{IN} = 14.5V \sim 30V$, $I_o = 500mA$	-	-	0.8	mA
		$V_{IN} = 10V$, $I_o = 5mA \sim 1A$,	-	-	0.5	

LNR: Line Regulation. The change in output voltage for a change in the input voltage. The measurement is made under conditions of low dissipation or by using pulse techniques such that the average chip temperature is not significantly affected.

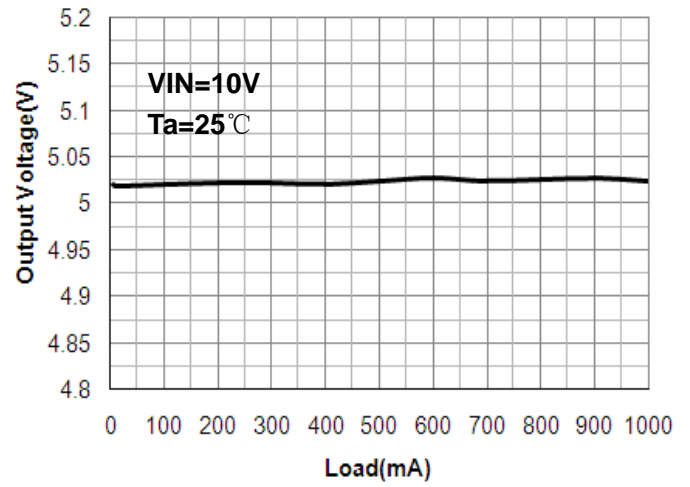
LDR: Load Regulation. The change in output voltage for a change in load current at constant chip temperature.

Type Characteristics

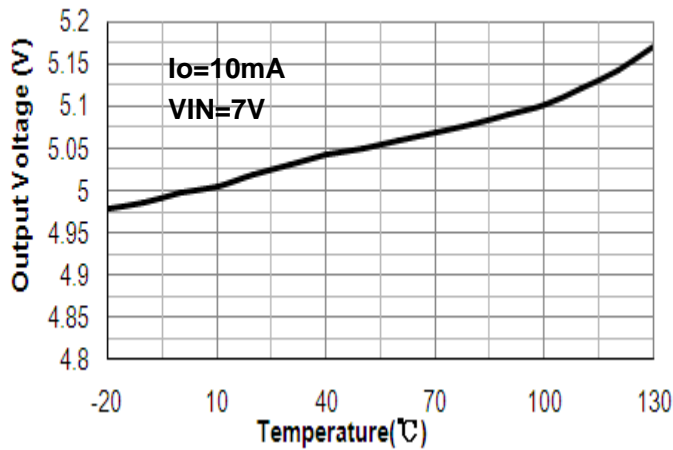
Output Voltage vs. Input voltage



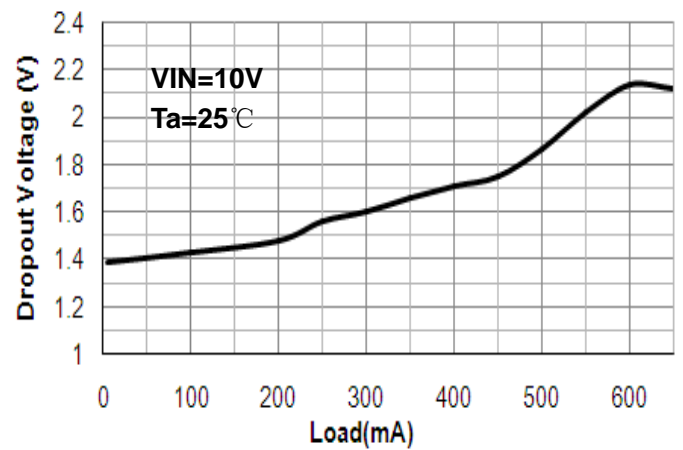
Output Voltage vs. Load



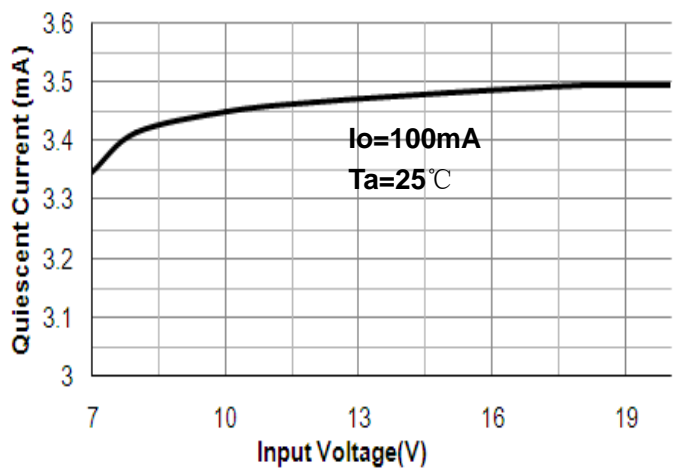
Output Voltage vs. Temperature



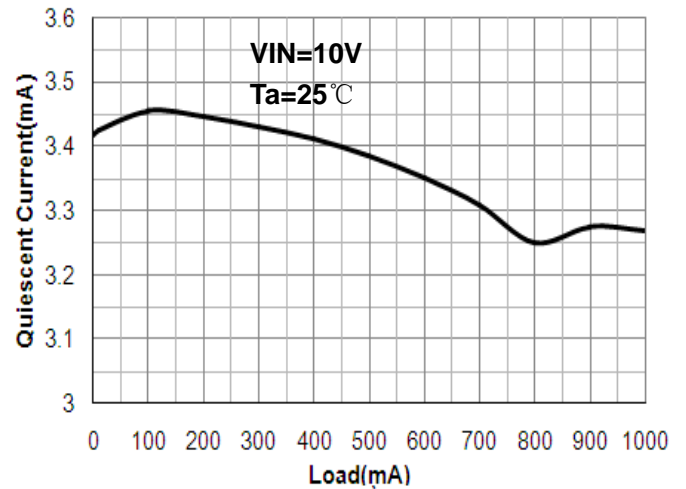
Dropout Voltage vs. Load



Quiescent Current vs. Input Voltage



Quiescent Current vs. Load



Operation Description

ME7805 is designed with Thermal Overload Protection that shuts down the circuit when subjected to an excessive power overload condition, Internal Short Circuit Protection that limits the maximum current the circuit will pass, and Output Transistor Safe-Area Compensation that reduces the output short circuit current as the voltage across the pass transistor is increased.

In many low current applications, compensation capacitors are not required. However, it is recommended that the regulator input be bypassed with a capacitor if the regulator is connected to the power supply filter with long wire lengths, or if the output load capacitance is large. An input bypass capacitor should be selected to provide good high frequency characteristics to insure stable operation under all load conditions. A 0.33 μ F or larger tantalum, mylar, or other capacitor having low internal impedance at high frequencies should be chosen. The bypass capacitor should be mounted with the shortest possible leads directly across the regulator's input terminals. Normally good construction techniques should be used to minimize ground loops and lead resistance drops since the regulator has no external sense lead.

Typical Application Circuit

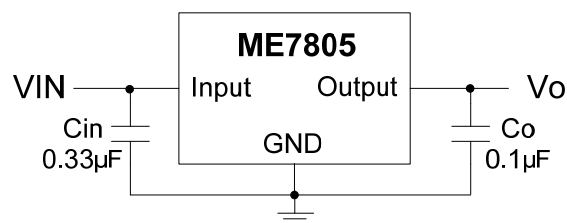


Fig.1 Fixed Output Regulator

A common ground is required between the input and the output voltages. The input voltage must remain typically 2.0 V above the output voltage even during the low point on the input ripple voltage.

- C_{in} is required if regulator is located an appreciable distance from power supply filter.
- C_{o} is not needed for stability; however, it does improve transient response.

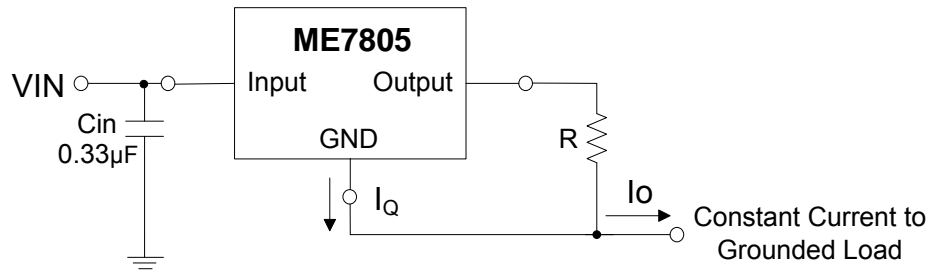


Fig.2 Constant Current Regulator

The ME7805 regulator can also be used as a current source when connected as Fig.2. In order to minimize dissipation the ME7805 is chosen in this application. Resistor R determines the current as follows:

$$I_o = \frac{5V}{R} + I_q$$

$$I_q \cong 3.2\text{mA over line and load changes}$$

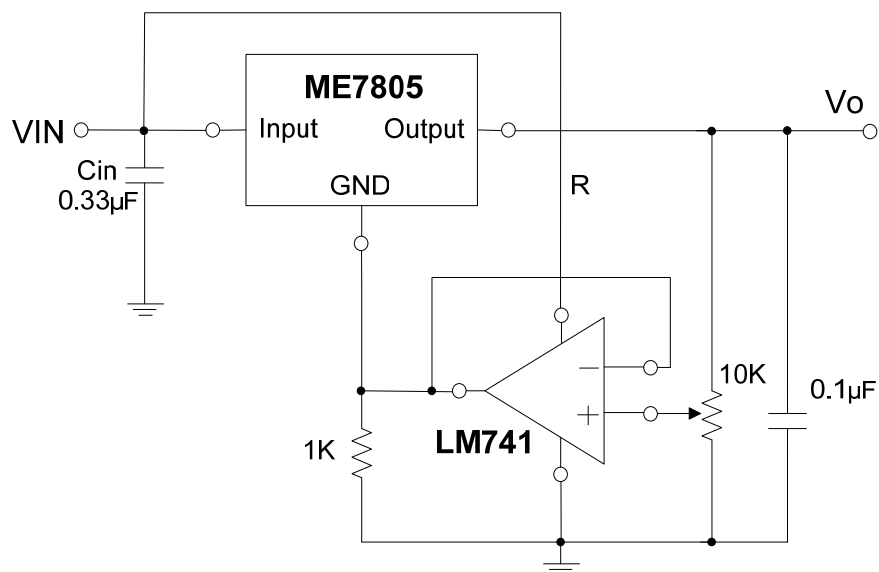
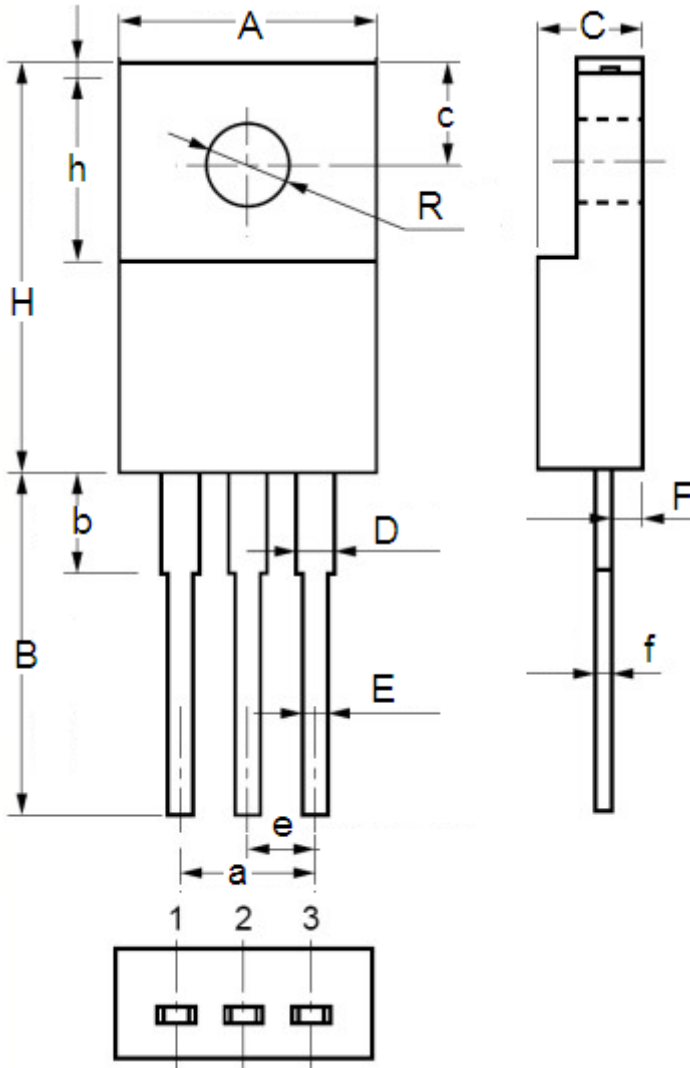


Fig.3 Adjustable Output Regulator

The addition of an operational amplifier allows adjustment to higher or intermediate values while retaining regulation characteristics. The minimum voltage obtainable with this arrangement is 2.0 V greater than the regulator voltage.

Package Information

Package Type: TO-220



Symbol	Millimeters		Inches	
	Min.	Max.	Min.	Max.
A	9.8	10.2	0.386	0.4016
a	4.58	5.58	0.1803	0.2197
B	13.5	14.5	0.5315	0.5709
b	4.0		0.1575	
C	4.0	4.4	0.1575	0.1732
c	4.0	4.4	0.1575	0.1732
D	1.3	1.5	0.0512	0.059
E	0.7	0.9	0.0276	0.0354
F	1.1	1.5	0.0433	0.059
f	0.4	0.7	0.0157	0.0246
H	16.4	17	0.6457	0.6693
h	7.3	7.7	0.2874	0.3031
R	Φ3.0	Φ3.2	Φ0.1181	Φ0.126

- The information described herein is subject to change without notice.
- Nanjing Micro One Electronics Inc is not responsible for any problems caused by circuits or diagrams described herein whose related industrial properties, patents, or other rights belong to third parties. The application circuit examples explain typical applications of the products, and do not guarantee the success of any specific mass-production design.
- Use of the information described herein for other purposes and/or reproduction or copying without the express permission of Nanjing Micro One Electronics Inc is strictly prohibited.
- The products described herein cannot be used as part of any device or equipment affecting the human body, such as exercise equipment, medical equipment, security systems, gas equipment, or any apparatus installed in airplanes and other vehicles, without prior written permission of Nanjing Micro One Electronics Inc.
- Although Nanjing Micro One Electronics Inc exerts the greatest possible effort to ensure high quality and reliability, the failure or malfunction of semiconductor products may occur. The user of these products should therefore give thorough consideration to safety design, including redundancy, fire-prevention measures, and malfunction prevention, to prevent any accidents, fires, or community damage that may ensue.

X-ON Electronics

Largest Supplier of Electrical and Electronic Components

Click to view similar products for [Linear Voltage Regulators](#) category:

Click to view products by [Micro One](#) manufacturer:

Other Similar products are found below :

[LV56831P-E](#) [LV5684PVD-XH](#) [MCDTSA6-2R](#) [L7815ACV-DG](#) [PQ3DZ53U](#) [LV56801P-E](#) [TLE42794G](#) [L78L05CZ/1SX](#) [L78LR05DL-MA-E](#) [636416C](#) [714954EB](#) [BA033LBSG2-TR](#) [LV5680P-E](#) [L78M15CV-DG](#) [TLS202B1MBV33HTSA1](#) [L79M05T-E](#) [TLS202A1MBVHTSA1](#) [L78LR05D-MA-E](#) [NCV317MBTG](#) [NTE7227](#) [LV5680NPVC-XH](#) [LT1054CN8](#) [MP2018GZD-5-Z](#) [MP2018GZD-33-Z](#) [MIC5281-3.3YMM](#) [RT9078-28GQZ](#) [MC78L06BP-AP](#) [TA48LS05F\(TE85L,F\)](#) [TC47BR5003ECT](#) [TCR2LN12,LF\(S](#) [TCR2LN28,LF\(S](#) [TCR2LN30,LF\(S](#) [TCR3DF295,LM\(CT](#) [TCR3DF40,LM\(CT](#) [BA178M20CP-E2](#) [L78M05TL-TL-E](#) [L78M12ABDT](#) [LR645N3-G-P003](#) [LR645N3-G-P013](#) [ZXTR2005P5-13](#) [SCD7812BTG](#) [TCR3DF335,LM\(CT](#) [TLE42994E V33](#) [ZXTR2008K-13](#) [ZXTR2005K-13](#) [L88R05DL-E](#) [ADP3300ARTZ-2.7RL7](#) [LM120K-15/883](#) [IFX54441LDVXUMA1](#) [LM317D2T-TR](#)