

Current Mode PWM Controller With Frequency Shuffling ME8202

General Description

ME8202 is a highly integrated current mode PWM control IC optimized for high performance, low standby power and cost effective offline flyback converter applications. PWM switching frequency at normal operation is externally programmable and trimmed to tight range. At no load or light load condition, the IC operates in extended 'burst mode' to minimize switching loss. Lower standby power and higher conversion efficiency is thus achieved. VDD low startup current and low operating current contribute to a reliable power on startup design with ME8202. A large value resistor could thus be used in the startup circuit to minimize the standby power. The internal slope compensation improves system large signal stability and reduces the possible subharmonic oscillation at high PWM duty cycle output. Leading-edge blanking on current sense input removes the signal glitch due to snubber circuit diode reverse recovery and thus greatly reduces the external component count and system cost in the design. ME8202 offers complete protection coverage with automatic self-recovery feature including Cycle-by-Cycle current limiting (OCP), over load protection (OLP), VDD over voltage clamp and under voltage lockout (UVLO). The Gate-drive output is clamped at 16V to protect the power MOSFET. In ME8202, OCP threshold slope is internally optimized to reach constant output power limit over universal AC input range. Excellent EMI performance is achieved with frequency shuffling technique together with soft switching control at the totem pole gate drive output. Tone energy at below 20KHZ is minimized in the design and audio noise is eliminated during operation.

Features

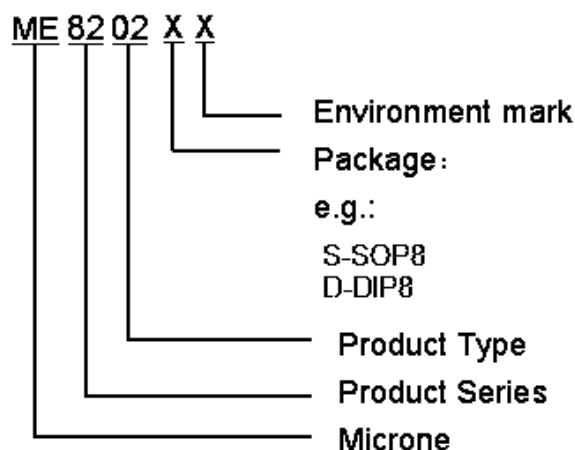
- Extended Burst Mode Control For Improved Efficiency and Minimum Standby Power Design
- Audio Noise Free Operation
- External Programmable PWM Switching Frequency
- Internal Synchronized Slope Compensation
- Low VDD Startup Current (3μA) and Low Operating Current (1.8mA)
- ★ External programmable over temperature protection (OTP)
- ★ With or without On-chip VDD OVP for system OVP
- ★ Under Voltage Lockout with Hysteresis (UVLO)
- ★ Gate Output Maximum Voltage Clamp (16V)
- ★ Line Input Compensated Cycle-by-Cycle Over-current Threshold Setting For Constant Output current Limiting Over Universal Input Voltage Range(OCP).
- ★ Over load Protection (OLP)
- Available in SOP8 and DIP8 package

Typical Application

Offline AC/DC flyback converter for

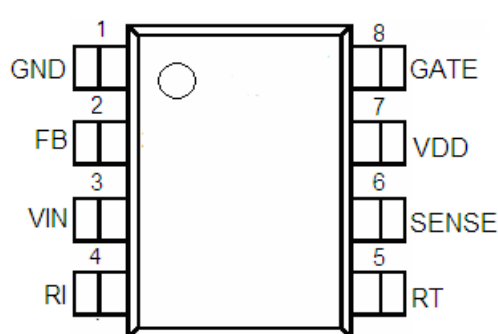
- Battery Charger
- PC/TV/Set-Top Box Power Supplies
- Laptop Power Adaptor
- Open-frame SMPS

Selection Guide

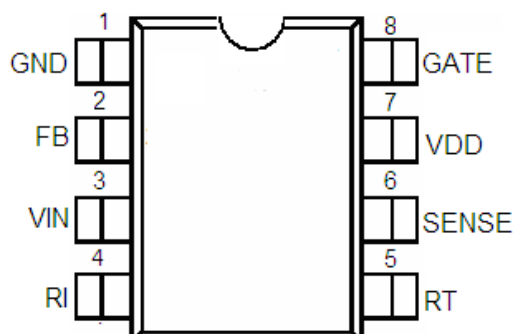


Pin Configuration

The ME8202 is offered in SOP8 and DIP8 packages shown as below.



SOP8



DIP8

PIN Assignments

Pin Num.	Symbol	Description
1	GND	Ground
2	FB	Feedback input pin. The PWM duty cycle is determined by voltage level into this pin and current-sense signal level at PIN6.
3	VIN	Connected through a large value resistor to rectified line input for startup IC supply and line voltage sensing.
4	RI	Internal Oscillator frequency setting pin. A resistor connected between RI and GND sets the PWM frequency.
5	RT	Temperature sensing input pin. Connected through a NTC resistor to GND.
6	SENSE	Current sense input pin. Connected to MOSFET current sensing resistor node.
7	VDD	Chip DC power supply pin.
8	GATE	Totem-pole gate drive output for the power MOSFET.

Absolute Maximum Ratings

Parameter	Range	Unit	
VDD/VIN DC Supply Voltage	30	V	
VDD Zener Clamp Voltage ^{Note}	VDD_Clamp+0.1V	V	
VDD DC Clamp Continuous Current	10	mA	
V _{FB} , V _{SENSE} , V _{RI} , V _{RT} (Voltage at FB, SENSE, RI, RT to GND)	-0.3 to 7	V	
Min/Max Operating Junction Temperature T _J	-20 to 125	°C	
Min/Max Storage Temperature T _{stg}	-55 to 150	°C	
R _{θJA} thermal Resistance	SOP8	150	°C/W
	DIP8	90	

Caution: The absolute maximum ratings are rated values exceeding which the product could suffer physical damage.

These values must therefore not be exceeded under any conditions.

Note: VDD_Clamp has a nominal value of 35V.

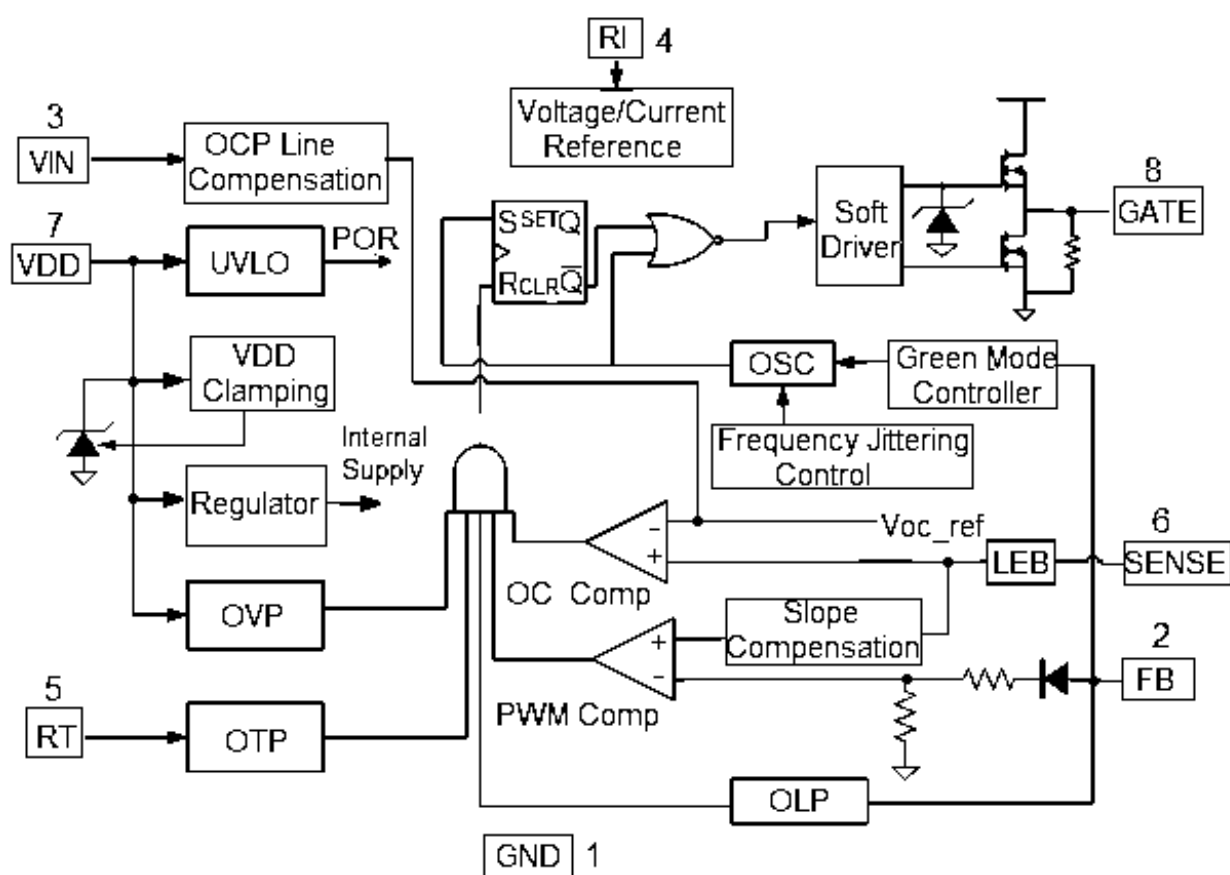
Recommended Operating Condition

Parameter	Range	Unit
VDD Supply Voltage	12 to 23	V
RI Resistor Value	24 to 31	K Ω
T _A Operating Ambient Temperature	-20 to 85	$^{\circ}$ C

ESD Information

Symbol	parameter	Test conditon	Min.	Typ.	Max.	Unit
HBM ^{Note}	Human body model on all pins except VIN and VDD	MIL_STD	-	2.5	-	KV

Block Diagram



Electrical Characteristics (T_A = 25°C, VDD=16V, RI=24KΩ, if not otherwise noted)

Symbol	Parameter	Test Conditions	Min	Typ.	Max	Unit
Supply Voltage (VDD)						
I _{VDD_Startup}	VDD Start up Current	VDD=15V, Measure current into VDD	-	3	10	μA
I _{VDD_Operation}	Operation Current	V _{FB} =3V	-	1.8	-	mA
UVLO _{ON}	VDD Under Voltage Lockout Enter		9.5	10.5	11.5	V
UVLO _{OFF}	VDD Under Voltage Lockout Exit (Recovery)		15.5	16.5	17.5	V
V _{DD_Clamp}	VDD Zener Clamp Voltage	I _{VDD} = 5 mA	-	35	-	V
OVP _{ON}	VDD Over voltage protection enter		23.5	25	26.5	V
OVP _{OFF}	VDD Over voltage protection exit(recovery)		21.5	23	24.5	V
OVP _{Hys}	OVP Hysteresis	OVP _{ON} -OVP _{OFF}	-	2	-	V
T _{D_OVP}	VDD OVP debounce time		-	80	-	μS
Feedback Input Section(FB Pin)						
AV _{CS}	PWM Input Gain	ΔV _{FB} / ΔV _{CS}	-	2.8	-	V/V
V _{FB_Open}	V _{FB} Open Loop Voltage		-	5.8	-	V
I _{FB_Short}	FB pin short circuit current	Short FB pin to GND, measure current	-	0.8	-	mA
V _{TH_OD}	Zero Duty Cycle FB Threshold Voltage		-		0.95	V
V _{TH_BM}	Burst mode FB threshold voltage		-	1.7	-	V
V _{TH_PL}	Power Limiting FB Threshold Voltage		-	4.4	-	V
T _{D_PL}	Power limiting Debounce Time		-	80	-	mS
Z _{FB_IN}	Input Impedance		-	7.2	-	KΩ
Current Sense Input(Sense Pin)						
T _{blanking}	Leading edge blanking time		-	250	-	nS
Z _{SENSE_IN}	Input Impedance		-	30	-	KΩ
T _{D_OC}	Over Current Detection and Control Delay	CL=1nF at GATE	-	120	-	nS
V _{TH_OC_0}	Current Limiting Threshold at No Compensation	I _{VIN} =0μA	0.80	0.9	0.95	V
V _{TH_OC_1}	Current Limiting Threshold at Compensation	I _{VIN} =150μA	-	0.81	-	V
Oscillator						
F _{OSC}	Normal Oscillation Frequency		60	65	70	KHz
Δf_Temp	Frequency Temperature Stability	-20°C to 100 °C		2		%
Δf_VDD	Frequency Voltage Stability	VDD = 12-25V		2		%
RI_range	Operating RI Range		12	24	60	KΩ

V_RI_open	RI open load voltage		-	2	-	V
F_BM	Burst Mode Base Frequency		-	22	-	KHz
DC_max	Maximum duty cycle		75	80	85	%
DC_min	Minimum duty cycle		-	-	0	%
Gate Drive Output						
V _{OL}	Output Low Level	I _O = -20 mA	-	-	0.3	V
V _{OH}	Output High Level	I _O = 20 mA	11	-	-	V
V _{G-Clamp}	Output Clamp Voltage Level	VDD=20V	-	16	-	V
T _r	Output Rising Time	C _L = 1nF	-	120	-	nS
T _f	Output Falling Time	C _L = 1nF	-	50	-	nS
Over Temperature Protection						
I _{RT}	Output current of RT pin		-	70	-	μA
V _{TH_OTP}	OTP Threshold		1.015	1.065	1.115	V
V _{TH_OTP_off}	OTP Recovery threshold voltage		-	1.165	-	V
T _{D_OTP}	OTP De-bounce time		-	100	-	μS
V _{RT_Open}	RT Pin open voltage		-	3.5	-	V
Frequency Shuffling						
Δf _{OSC}	Frequency Modulation range /Base frequency	RI=100KΩ	-3	--	3	%
f _{shuffling}	Shuffling Frequency	RI=24KΩ	-	32		Hz

Operation Description

The ME8202 is a highly integrated PWM controller IC optimized for offline flyback converter applications. The extended burst mode control greatly reduces the standby power consumption and helps the design easily meet the international power conservation requirements.

●Startup Current and Start up Control

Startup current of ME8202 is designed to be very low so that VDD could be charged up above UVLO (exit) threshold level and device starts up quickly. A large value startup resistor can therefore be used to minimize the power loss yet provides reliable startup in application. For a typical AC/DC adaptor with universal input range design, a 2 MΩ, 1/8 W startup resistor could be used together with a VDD

capacitor to provide a fast startup and low power dissipation solution.

●Operating Current

The Operating current of ME8202 is low at 1.8mA. Good efficiency is achieved with ME8202 low operating current together with extended burst mode control features.

●Frequency shuffling for EMI improvement

The frequency Shuffling/jittering (switching frequency modulation) is implemented in ME8202. The oscillation frequency is modulated with a random source so that the tone energy is spread out. The spread spectrum minimizes the conduction band EMI and therefore reduces system design challenge.

●Extended Burst Mode Operation

At zero load or light load condition, majority of the power dissipation in a switching mode power supply is from switching loss on the MOSFET transistor, the core loss of the transformer and the loss on the snubber circuit. The magnitude of power loss is in proportion to the number of switching events within a fixed period of time. Reducing switching events leads to the reduction on the power loss and thus conserves the energy.

ME8202 self adjusts the switching mode according to the loading condition. At from no load to light/medium load condition, the FB input drops below burst mode threshold level (1.8V). Device enters Burst Mode control. The Gate drive output switches only when VDD voltage drops below a preset level and FB input is active to output an on state. Otherwise the gate drive remains at off state to minimize the switching loss thus reduce the standby power consumption to the greatest extend. The nature of high frequency switching also reduces the audio noise at any loading conditions.

●Oscillator Operation

A resistor connected between RI and GND sets the constant current source to charge/discharge the internal cap and thus the PWM oscillator frequency is determined. The relationship between RI and switching frequency follows the below equation within the specified RI in KΩ range at nominal loading operational condition.

$$F_{osc} = \frac{1560}{RI(K\Omega)} (KHz)$$

●Current Sensing and Leading Edge Blanking

Cycle-by-Cycle current limiting is offered in ME8202 current mode PWM control. The switch current is detected by a sense resistor into the sense pin. An internal leading edge blanking circuit chops off the sense voltage spike at initial MOSFET on state due to Snubber diode reverse recovery so that the external RC filtering on sense input is no longer required. The current limit comparator is disabled and thus cannot turn off the external MOSFET during the blanking period. PWM duty cycle is determined by the current sense input voltage and the FB input voltage.

●Internal Synchronized Slope Compensation

Built-in slope compensation circuit adds voltage ramp onto the current sense input voltage for PWM generation. This greatly improves the close loop stability at CCM and prevents the sub-harmonic oscillation and thus reduces the output ripple voltage.

●Gate Drive

ME8202 Gate is connected to an external MOSFET gate for power switch control. Too weak the gate drive strength results in higher conduction and switch loss of MOSFET while too strong gate drive output compromises the EMI. A good trade-off is achieved through the built-in totem pole gate design with right output strength and dead time control. The low idle loss and good EMI system design is easier to achieve with this dedicated control scheme. An internal 16V clamp is added for MOSFET gate protection at higher than expected VDD input.

●Over Temperature Protection

A NTC resistor in series with a regular resistor should connect between RT and GND for temperature sensing and protection. NTC resistor value becomes lower when the ambient temperature rises. With the fixed internal current I_{RT} flowing through the resistors, the voltage at RT pin becomes lower at high temperature. The internal OTP circuit is triggered and shutdown the MOSFET when the sensed input voltage is lower than V_{TH_OTP} .

●Protection Controls

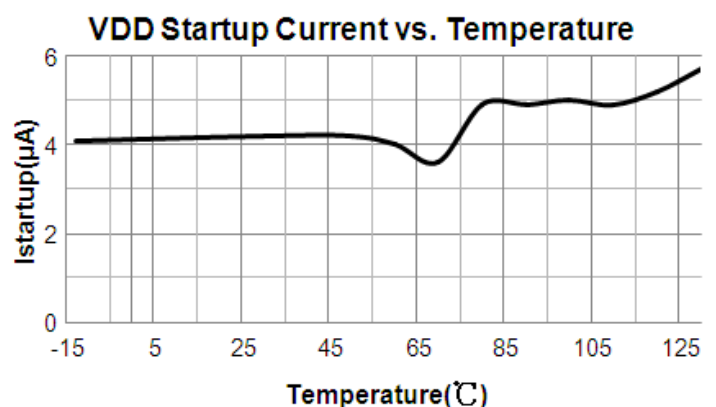
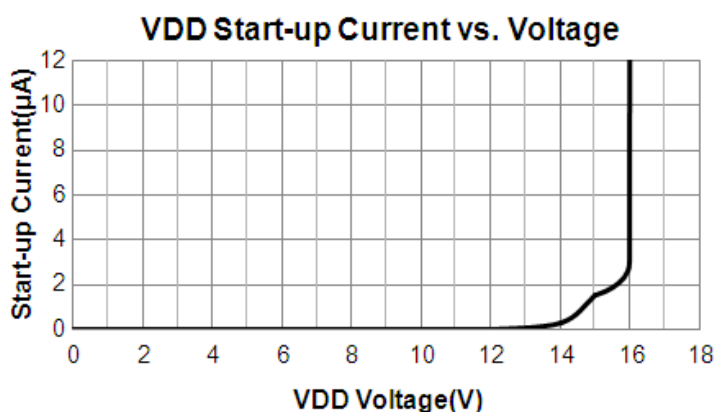
Good power supply system reliability is achieved with its rich protection features including Cycle-by-Cycle current limiting (OCP), Over Load Protection (OLP), over temperature protection(OTP), on-chip VDD over voltage protection (OVP, optional), and Under Voltage Lockout (UVLO).

The OCP threshold value is self adjusted lower at higher current into VIN pin. This OCP threshold slope adjustment

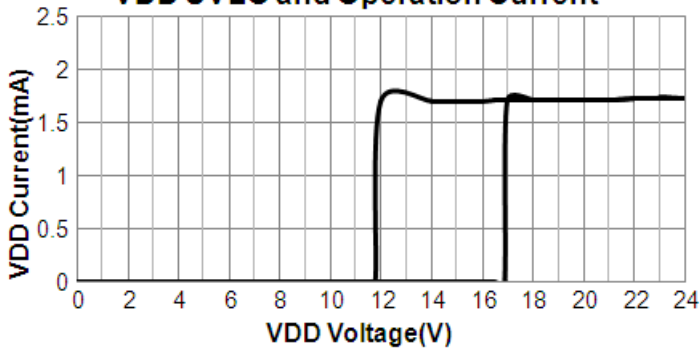
helps to compensate the increased output power limit at higher AC voltage caused by inherent Over-Current sensing and control delay. A constant output power limit is achieved with recommended OCP compensation scheme on ME8202.

At overload condition, FB voltage is biased higher. When FB input exceeds power limit threshold value for more than T_{D_PL} , control circuit reacts to shut down the output power MOSFET. Similarly, control circuit shutdowns the power MOSFET when an over temperature condition is detected. ME8202 resumes the operation when temperature drops below the hysteresis value. VDD is supplied by transformer auxiliary winding output. It is clamped when VDD is higher than threshold value. The power MOSFET is shut down when VDD drops below UVLO limit and device enters power on start-up sequence thereafter.

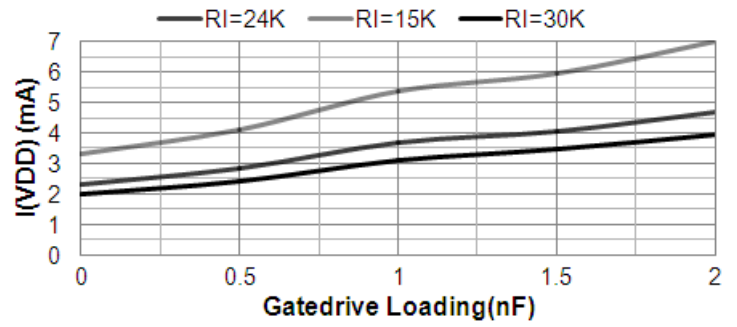
Typical Performance Characteristics



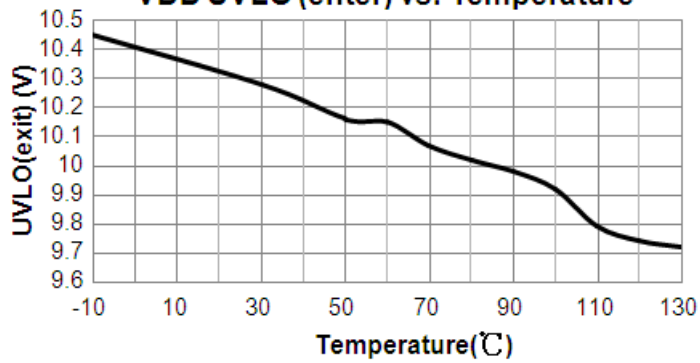
VDD UVLO and Operation Current



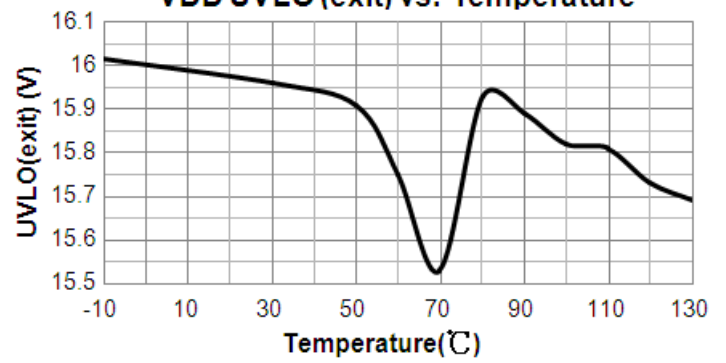
VDD Operation Current vs. Load



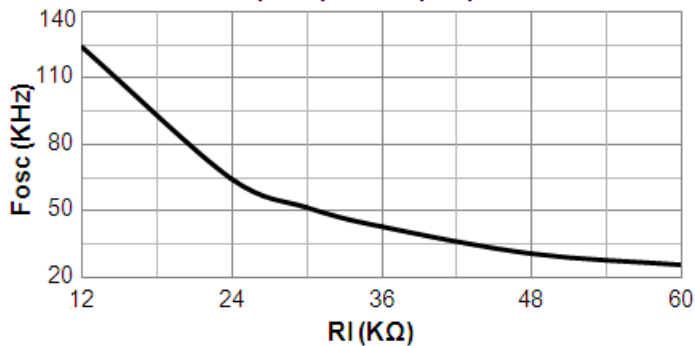
VDD UVLO (enter) vs. Temperature



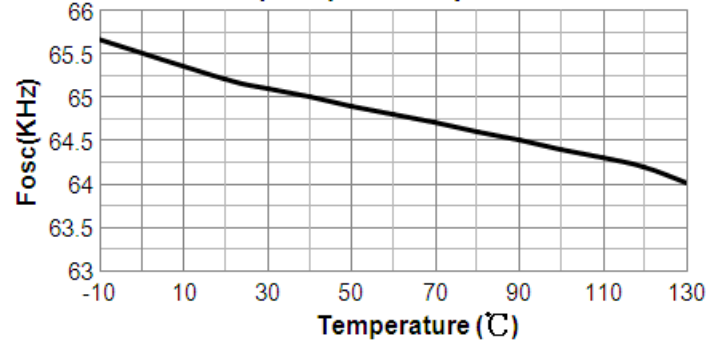
VDD UVLO (exit) vs. Temperature



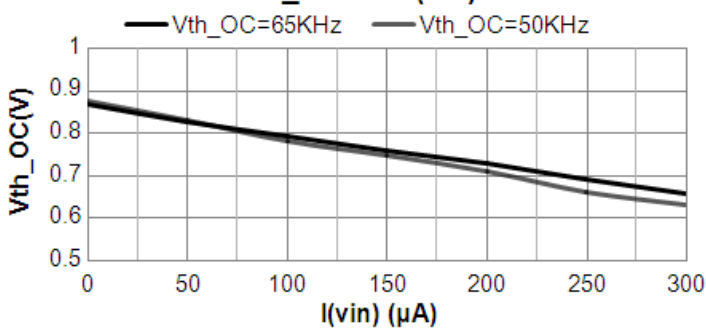
Fosc(KHz) vs. RI(KΩ)



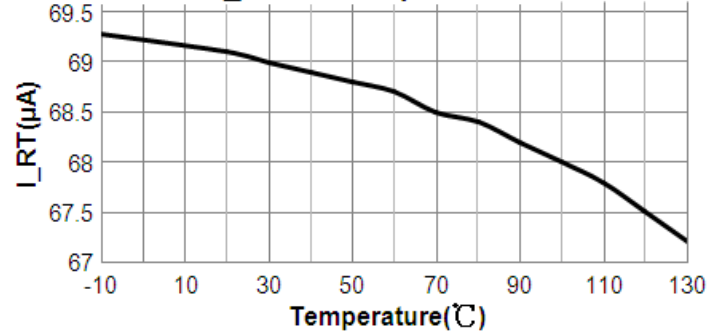
Fosc (KHz) vs. Temperature



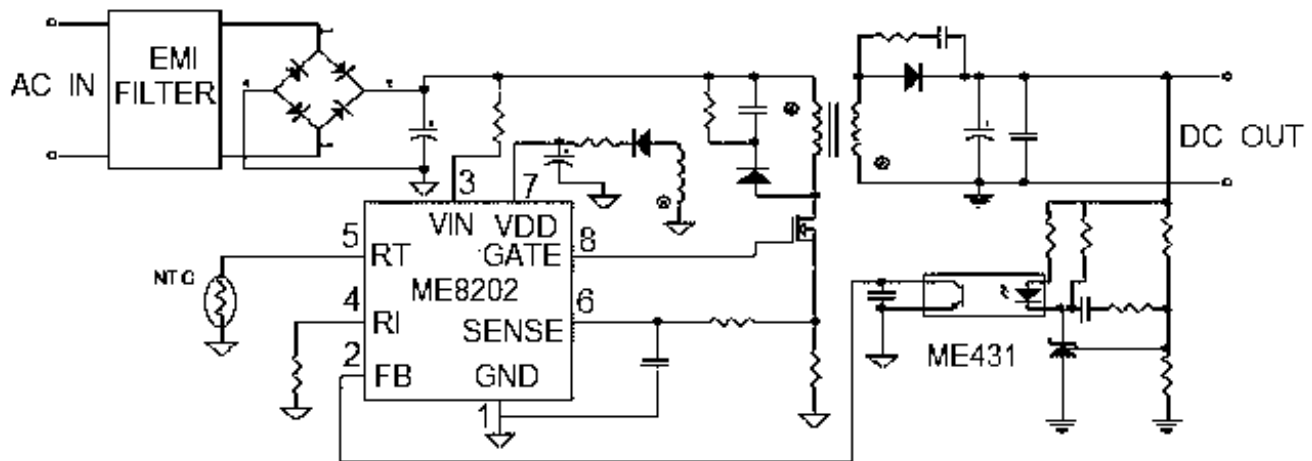
Vth_OC vs. I(vin)



I_RT vs. Temperature

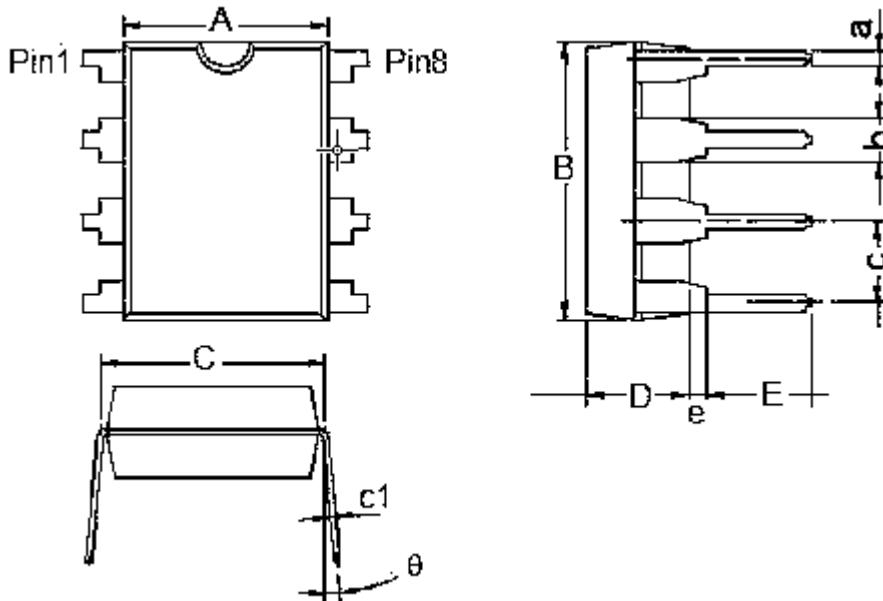


TYPICAL APPLICATION



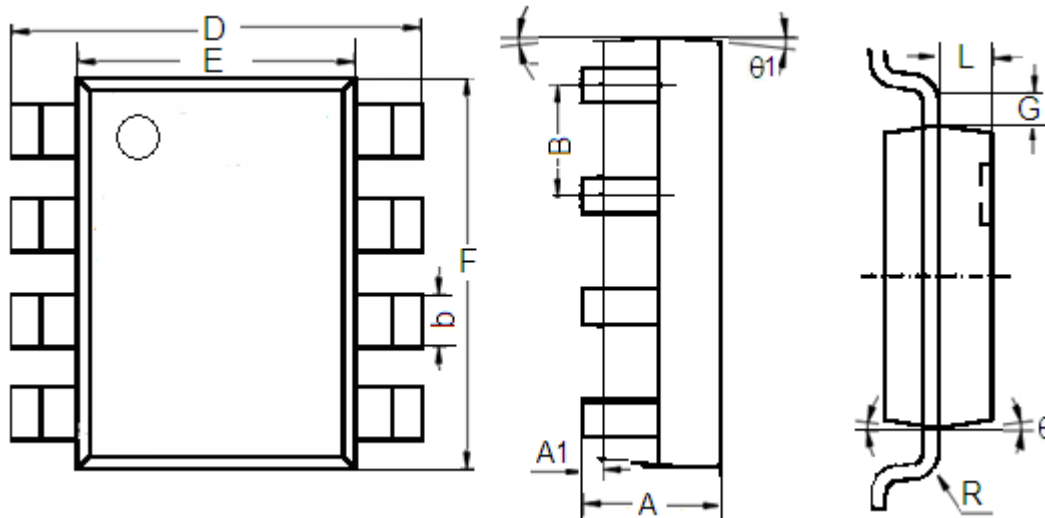
Packaging Information

Package type:DIP8 Unit:mm(inch)



Character	Dimension (mm)		Dimension (Inches)	
	Min	Max	Min	Max
A	6.200	6.600	0.244	0.260
B	9.000	9.400	0.354	0.370
C	7.620(Typ.)		0.300(Typ.)	
D	3.200	3.600	0.126	0.142
E	3.000	3.600	0.118	0.142
a	0.360	0.560	0.014	0.022
b	1.524(Typ.)		0.060(Typ.)	
c	2.54(Typ.)		0.100(Typ.)	
c1	0.204	0.360	0.008	0.014
e	0.510(Min)		0.020(Min)	
θ	0°	15°	0°	15°

Package type:SOP8 Unit:mm(inch)



Character	Dimension (mm)		Dimension (Inches)	
	Min	Max	Min	Max
A	1.350	1.750	0.053	0.069
A1	0.1	0.3	0.004	0.012
B	1.27(Typ.)		0.05(Typ.)	
b	0.330	0.510	0.013	0.020
D	5.8	6.2	0.228	0.244
E	3.800	4.000	0.150	0.157
F	4.7	5.1	0.185	0.201
L	0.675	0.725	0.027	0.029
G	0.32(Typ.)		0.013(Typ.)	
R	0.15(Typ.)		0.006(Typ.)	
θ1	7°		7°	
θ	8°		8°	

- The information described herein is subject to change without notice.
- Nanjing Micro One Electronics Inc is not responsible for any problems caused by circuits or diagrams described herein whose related industrial properties, patents, or other rights belong to third parties. The application circuit examples explain typical applications of the products, and do not guarantee the success of any specific mass-production design.
- Use of the information described herein for other purposes and/or reproduction or copying without the express permission of Nanjing Micro One Electronics Inc is strictly prohibited.
- The products described herein cannot be used as part of any device or equipment affecting the human body, such as exercise equipment, medical equipment, security systems, gas equipment, or any apparatus installed in airplanes and other vehicles, without prior written permission of Nanjing Micro One Electronics Inc.
- Although Nanjing Micro One Electronics Inc exerts the greatest possible effort to ensure high quality and reliability, the failure or malfunction of semiconductor products may occur. The user of these products should therefore give thorough consideration to safety design, including redundancy, fire-prevention measures, and malfunction prevention, to prevent any accidents, fires, or community damage that may ensue.

X-ON Electronics

Largest Supplier of Electrical and Electronic Components

Click to view similar products for [Switching Controllers](#) category:

Click to view products by [Micro One](#) manufacturer:

Other Similar products are found below :

[LV5065VB-TLM-H](#) [LV5066V-TLM-H](#) [LV5725JAZ-AH](#) [633888R](#) [MP2908AGF](#) [AZ7500EP-E1](#) [NCP1012AP133G](#) [NCP1217P133G](#)
[NCP1218AD65R2G](#) [NCP1234AD100R2G](#) [NCP1244BD065R2G](#) [NCP1336ADR2G](#) [NCP1587GDR2G](#) [NCP6153MNTWG](#)
[NCP81005MNTWG](#) [NCP81101BMNTXG](#) [NCP81205MNTXG](#) [HV9123NG-G-M934](#) [IR35207MTRPBF](#) [ISL6367HIRZ](#) [CAT874-80ULGT3](#)
[SJ6522AG](#) [SJE6600](#) [TLE63893GV50XUMA1](#) [IR35215MTRPBF](#) [SG3845DM](#) [NCP1216P133G](#) [NCP1236DD65R2G](#) [NCP1247BD100R2G](#)
[NCP1250BP65G](#) [NCP4202MNR2G](#) [NCP4204MNTXG](#) [NCP6132AMNR2G](#) [NCP81141MNTXG](#) [NCP81142MNTXG](#) [NCP81172MNTXG](#)
[NCP81203MNTXG](#) [NCP81206MNTXG](#) [NX2155HCUPTR](#) [UC3845ADM](#) [UBA2051C](#) [IR35201MTRPBF](#) [MAX8778ETJ+](#)
[MAX17500AAUB+T](#) [MAX17411GTM+T](#) [MAX16933ATIR/V+](#) [NCP1010AP130G](#) [NCP1063AD100R2G](#) [NCP1216AP133G](#)
[NCP1217AP100G](#)