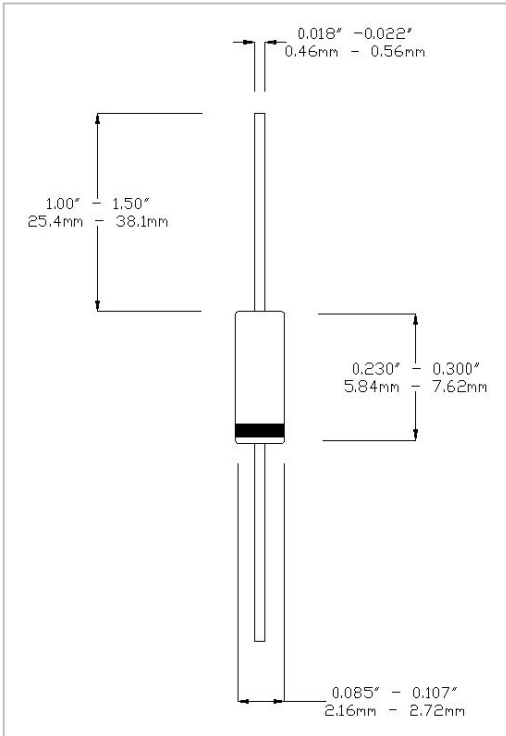


1N3070-1

FEATURES

- 1N3070-1 AVAILABLE IN JAN, JANTX, AND JANTXV PER MIL-PRF-19500/169
- SWITCHING DIODE
- METALLURGICALLY BONDED
- HERMETICALLY SEALED
- DOUBLE PLUG CONSTRUCTION



MAXIMUM RATINGS AT 25 °C

Operating Temperature:	-65°C to +175°C
Storage Temperature:	-65°C to +175°C
Surge Current A, sine, 1uS:	2.0A
Surge Current B, sine, 1S:	0.5A
Total Power Dissipation:	500mW
Operating Current:	100mA, T _A = +25°C
Derating Factor:	0.667mA/°C above T _A = +25°C
D.C. Reverse Voltage (VRWM):	175V

DC ELECTRICAL CHARACTERISTICS

V _F				I _R				V _{BR}			
Ambient (°C)	I _F mA	Min V	Max V	Ambient (°C)	V (dc)	Min μA	Max μA	Ambient (°C)	I _R μA	Min V	Max V
25	100	-	1.0	25	175	-	0.1	25	100	200	-
-55	100	-	1.2	150	175	-	100				

DESIGN DATA

Case: Hermetically sealed glass package per MIL-PRF-19500/169 DO-7 outline

Lead Material: Copper clad steel

Lead Finish: Tin/Lead

Thermal Resistance (R_{θJL}): 250°C/W maximum at L=.375"

Thermal Impedance (Z_{θJX}): 70°C/W maximum

Marking: Alpha numeric.

Polarity: Cathode end is banded.

AC ELECTRICAL CHARACTERISTICS AT 25°C

	Symbol	Min	Max
Capacitance @ 0V	pF	-	5
T _{RR} @ I _F =I _R =30mA, I _{Rec} = 3mA.	nsec	-	50



WWW.MICROSEMI.COM

IRELAND - GORT ROAD, ENNIS, CO. CLARE

PHONE: +353 65 6840044

TOLL FREE: +186 62 702434

FAX: +353 65 6822298

U.S.A. DOMESTIC SALES CONTACT

PHONE: (617) 926 0404

TOLL FREE: 1 800 666 2999

X-ON Electronics

Largest Supplier of Electrical and Electronic Components

Click to view similar products for [Diodes - General Purpose, Power, Switching category:](#)

Click to view products by [Microsemi manufacturer:](#)

Other Similar products are found below :

[RD0306T-H](#) [BAQ33-GS18](#) [BAV17-TR](#) [BAV19-TR](#) [1N3611](#) [NTE156A](#) [NTE525](#) [NTE571](#) [NTE574](#) [NTE5804](#) [NTE5806](#) [NTE6244](#)
[1SS181-TP](#) [1SS193,LF](#) [1SS400CST2RA](#) [SDAA13](#) [SHN2D02FUTW1T1G](#) [LS4151GS08](#) [1N4449](#) [1N456A](#) [1N4934-E3/73](#) [1N914B](#)
[1N914BTR](#) [RFUH20TB3S](#) [BAS 28 E6327](#) [BAV199-TP](#) [BAW56DWQ-7-F](#) [BAW75-TAP](#) [MM230L-CAA](#) [IDW40E65D1](#) [JAN1N3600](#)
[LL4151-GS18](#) [053684A](#) [SMMSD4148T3G](#) [707803H](#) [SP000010217](#) [ACDSW4448-HF](#) [CDSZC01100-HF](#) [BAV199E6433HTMA1](#)
[BAV70M3T5G](#) [SMBT2001T1G](#) [NTE5801](#) [NTE5800](#) [NTE5808](#) [NTE6240](#) [NTE6248](#) [DLM10C-AT1](#) [BAS28-7](#) [BAW56HDW-13](#) [BAS28](#)
[TR](#)