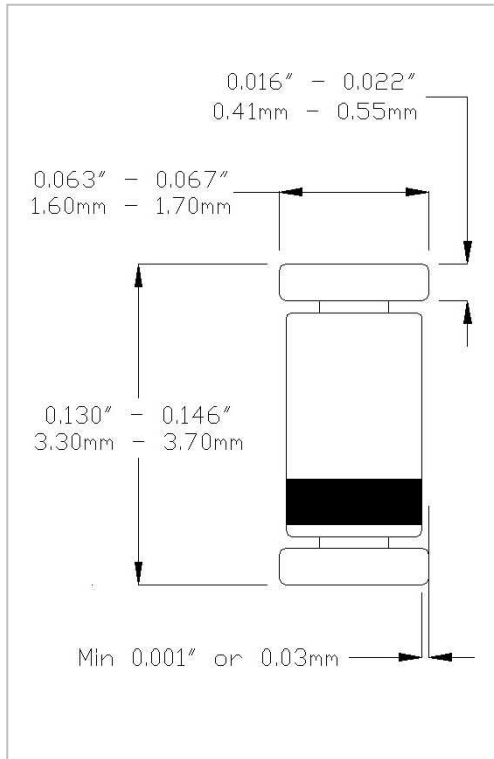


# 1N4938UR-1

## FEATURES

- 1N4938UR-1 AVAILABLE IN JAN, JANTX, AND JANTXV PER MIL-PRF-19500/169
- SWITCHING DIODE
- METALLURGICALLY BONDED
- HERMETICALLY SEALED
- DOUBLE PLUG CONSTRUCTION
- ALSO AVAILABLE AS LL4938. & MLL4938



## MAXIMUM RATINGS AT 25 °C

|                              |   |
|------------------------------|---|
| Operating Temperature:       | -65°C to +175°C                         |
| Storage Temperature:         | -65°C to +175°C                         |
| Surge Current A, sine, 1uS:  | 2.0A                                    |
| Surge Current B, sine, 1S:   | 0.5A                                    |
| Total Power Dissipation:     | 500mW                                   |
| Operating Current:           | 100mA, T <sub>A</sub> = +25°C           |
| Derating Factor:             | 0.667mA/°C above T <sub>A</sub> = +25°C |
| D.C. Reverse Voltage (VRWM): | 175V                                    |

## DC ELECTRICAL CHARACTERISTICS

| V <sub>F</sub> |                   |       |       | I <sub>R</sub> |        |        |        | V <sub>BR</sub> |                   |       |       |
|----------------|-------------------|-------|-------|----------------|--------|--------|--------|-----------------|-------------------|-------|-------|
| Ambient (°C)   | I <sub>F</sub> mA | Min V | Max V | Ambient (°C)   | V (dc) | Min μA | Max μA | Ambient (°C)    | I <sub>R</sub> μA | Min V | Max V |
| 25             | 100               | -     | 1.0   | 25             | 175    | -      | 0.1    | 25              | 100               | 200   | -     |
| -55            | 100               | -     | 1.2   | 150            | 175    | -      | 100    |                 |                   |       |       |

## DESIGN DATA

**Case:** Hermetically sealed glass package per MIL-PRF-19500/169 DO-213AA outline

**Lead Material:** Copper clad steel

**Lead Finish:** Tin/Lead

**Thermal Resistance (R<sub>θJEC</sub>):** 50°C/W maximum

**Thermal Impedance (Z<sub>θJX</sub>):** 70°C/W maximum

**Polarity:** Cathode end is banded.

## AC ELECTRICAL CHARACTERISTICS AT 25°C

|  | Symbol | Min | Max |
|--|--------|-----|-----|
| Capacitance @ 0V   | pF     | -   | 5   |
| T <sub>RR</sub> @ I <sub>F</sub> =I <sub>R</sub> =30mA, I <sub>Rec</sub> =3mA. | nsec   | -   | 50  |



WWW.MICROSEMI.COM

IRELAND - GORT ROAD, ENNIS, CO. CLARE

PHONE: +353 65 6840044  
TOLL FREE: +186 62 702434  
FAX: +353 65 6822298

U.S.A. DOMESTIC SALES CONTACT

PHONE: (617) 926 0404  
TOLL FREE: 1 800 666 2999

## X-ON Electronics

Largest Supplier of Electrical and Electronic Components

*Click to view similar products for* [Diodes - General Purpose, Power, Switching category:](#)

*Click to view products by* [Microsemi manufacturer:](#)

Other Similar products are found below :

[RD0306T-H](#) [BAQ33-GS18](#) [BAV17-TR](#) [BAV19-TR](#) [1N3611](#) [NTE156A](#) [NTE525](#) [NTE571](#) [NTE574](#) [NTE5804](#) [NTE5806](#) [NTE6244](#)  
[1SS181-TP](#) [1SS193,LF](#) [1SS400CST2RA](#) [SDAA13](#) [SHN2D02FUTW1T1G](#) [LS4151GS08](#) [1N4449](#) [1N456A](#) [1N4934-E3/73](#) [1N914B](#)  
[1N914BTR](#) [RFUH20TB3S](#) [BAS 28 E6327](#) [BAV199-TP](#) [BAW56DWQ-7-F](#) [BAW75-TAP](#) [MM230L-CAA](#) [IDW40E65D1](#) [LL4151-GS18](#)  
[053684A](#) [SMMSD4148T3G](#) [707803H](#) [SP000010217](#) [ACDSW4448-HF](#) [CDSZC01100-HF](#) [BAV199E6433HTMA1](#) [BAV70M3T5G](#)  
[SMBT2001T1G](#) [NTE5801](#) [NTE5800](#) [NTE5808](#) [NTE6240](#) [NTE6248](#) [DLM10C-AT1](#) [BAS28-7](#) [BAW56HDW-13](#) [BAS28 TR](#) [VS-](#)  
[HFA04SD60STR-M3](#)