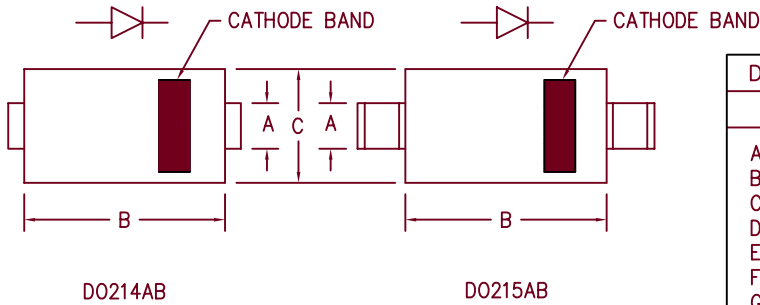
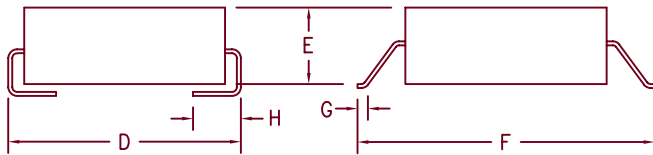


# 5 Amp Schottky Rectifier HSM550, HSM560



| Dim. | Inches  |         | Millimeter |         | Notes |
|------|---------|---------|------------|---------|-------|
|      | Minimum | Maximum | Minimum    | Maximum |       |
| A    | .117    | .123    | 2.97       | 3.12    |       |
| B    | .260    | .280    | 6.60       | 7.11    |       |
| C    | .220    | .245    | 5.59       | 6.22    |       |
| D    | .307    | .322    | 7.80       | 8.18    |       |
| E    | .075    | .095    | 1.91       | 2.41    |       |
| F    | .380    | .400    | 9.65       | 10.16   |       |
| G    | .025    | .040    | .640       | 1.02    |       |
| H    | .030    | .060    | .760       | 1.52    |       |



Microsemi  
Catalog Number

HSM550\*  
HSM560\*

Industry  
Part Number

SK55L, B550C  
SK56L, B560C

Working  
Peak Reverse  
Voltage

50V  
60V

Repetitive  
Peak Reverse  
Voltage

50V  
60V

\* Add Suffix J for J Lead or G for Gull Wing Lead Configuration

- Schottky Barrier Rectifier
- Guard Ring Protection
- High Current Capability
- 175°C Junction Temperature
- Surface mount packages

## Electrical Characteristics

Average forward current  
Maximum surge current  
Max peak forward voltage  
Max peak forward voltage  
Max peak reverse current  
Typical junction capacitance

I<sub>F(AV)</sub> 5.0 Amps  
I<sub>FSM</sub> 250 Amps  
V<sub>FM</sub> .52 Volts  
V<sub>FM</sub> .65 Volts  
I<sub>RM</sub> 250  $\mu$ A  
C<sub>J</sub> 355 pF

Square wave  
8.3ms, half sine, T<sub>J</sub> = 175°C  
I<sub>FM</sub> = 1.0A; T<sub>J</sub> = 25°C\*  
I<sub>FM</sub> = 5.0A; T<sub>J</sub> = 25°C\*  
V<sub>RRM</sub>, T<sub>J</sub> = 25°C  
V<sub>R</sub> = 5.0V, T<sub>J</sub> = 25°C

\*Pulse test: Pulse width 300  $\mu$ sec, Duty cycle 2%

## Thermal and Mechanical Characteristics

Storage temperature range  
Operating junction temp range  
Maximum thermal resistance  
Weight

T<sub>STG</sub>  
T<sub>J</sub>  
R $\theta$ <sub>JL</sub>

-55°C to 175°C  
-55°C to 175°C  
22°C/W Junction to lead  
.008 ounces (.22 grams) typical



8700 East Thomas Road, P.O. Box 1390  
Scottsdale, AZ 85252  
PH: (480) 941-6300  
FAX: (480) 947-1503  
www.microsemi.com

05-15-07 Rev. 3

# HSM550, HSM560

Figure 1  
Typical Forward Characteristics

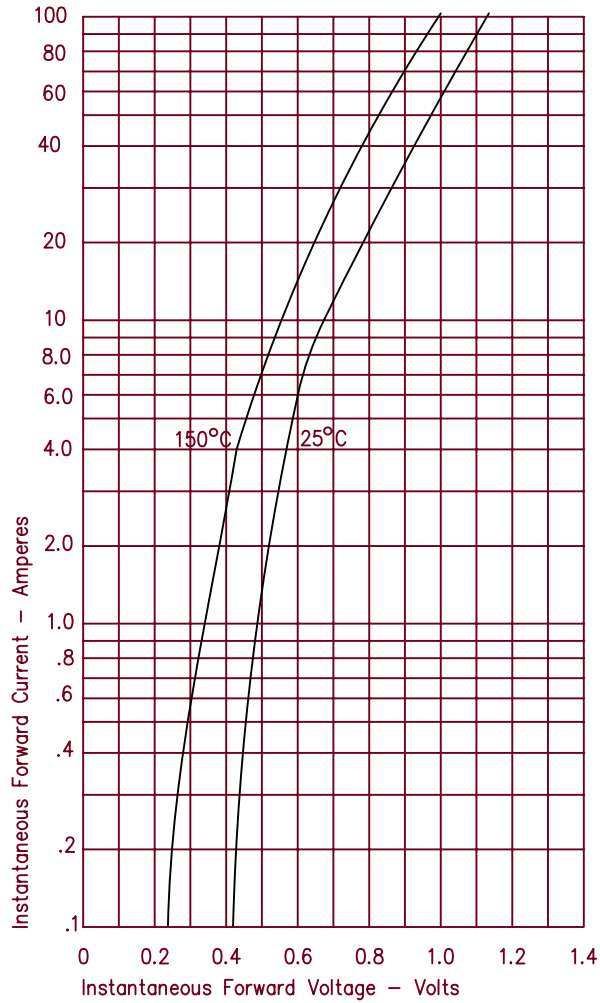


Figure 3  
Typical Junction Capacitance

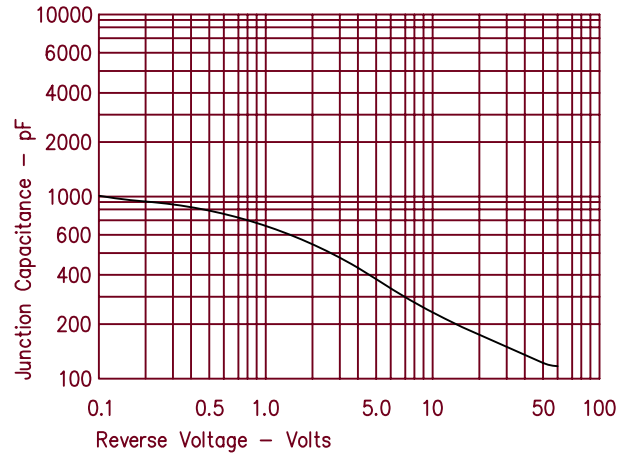
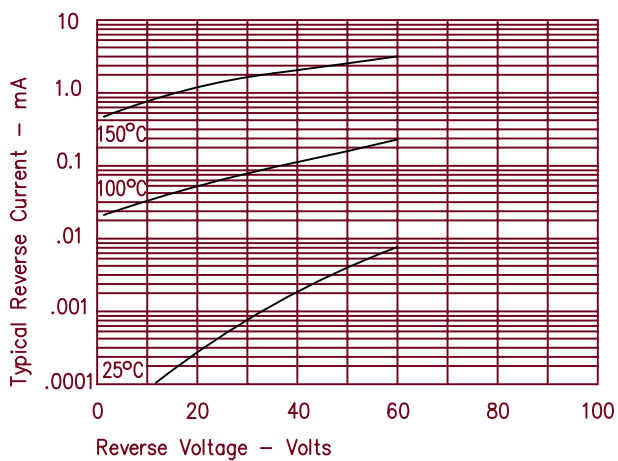


Figure 2  
Typical Reverse Characteristics



## X-ON Electronics

Largest Supplier of Electrical and Electronic Components

*Click to view similar products for [Schottky Diodes & Rectifiers](#) category:*

*Click to view products by [Microsemi](#) manufacturer:*

Other Similar products are found below :

[MA4E2039](#) [D1FH3-5063](#) [MBR10100CT-BP](#) [MBR1545CT](#) [MMBD301M3T5G](#) [RB160M-50TR](#) [RB551V-30](#) [BAS16E6433HTMA1](#) [BAT](#)  
[54-02LRH E6327](#) [NSR05F40QNXT5G](#) [NTE555](#) [JANS1N6640](#) [SB07-03C-TB-H](#) [SB1003M3-TL-W](#) [SK310-T](#) [SK32A-LTP](#) [SK34B-TP](#)  
[SS3003CH-TL-E](#) [GA01SHT18](#) [CRS10I30A\(TE85L,QM](#) [MA4E2501L-1290](#) [MBRB30H30CT-1G](#) [SB007-03C-TB-E](#) [SK32A-TP](#) [SK33B-TP](#)  
[SK38B-TP](#) [NRVBM120LT1G](#) [NTE505](#) [NTSB30U100CT-1G](#) [SS15E-TP](#) [VS-6CWQ10FNHM3](#) [ACDBA1100LR-HF](#) [ACDBA1200-HF](#)  
[ACDBA140-HF](#) [ACDBA2100-HF](#) [ACDBA3100-HF](#) [CDBQC0530L-HF](#) [CDBQC0240LR-HF](#) [ACDBA260LR-HF](#) [ACDBA1100-HF](#)  
[SK310B-TP](#) [MA4E2502L-1246](#) [MA4E2502H-1246](#) [NRVBM120ET1G](#) [NSR01L30MXT5G](#) [NTE573](#) [NTE6081](#) [SB560](#) [PMAD1108-LF](#)  
[SD103ATW-TP](#)