

## InGaP HBT 5GHz 802.11ac Power Amplifier

### Description

The LX5531 is a power amplifier optimized for 802.11ac/a/n applications in the 5.15-5.85GHz frequency range. The LX5531 includes a three-stage PA, active bias, input/output matching, and a harmonic filter.

The power amplifier operates with a single positive voltage supply of 5V, and provides power gain of 32dB and output powers of 23 and 25dBm at 5V across the frequency band for -35 and -30dB dynamic EVM (DEVM), respectively. It is fully matched to 50 Ohms on both the input and output ports.

The 2nd and 3rd harmonics are below -45dBm/MHz over the frequency band due to an integrated harmonic filter. The LX5531 also features an on-chip power detector to help reduce BOM cost and PCB space for implementation of power control in a typical wireless system.

The LX5531 is available in a 20-pin 4mm x 4mm quad flat no lead package (QFN 4x4-20L). The compact footprint, low profile, and excellent thermal capability make the LX5531 an ideal solution for 802.11ac/a/n applications.

### Features

- 5.15-5.85GHz Operation
- Single-Polarity 5V Supply
- Power Gain ~ 32dB
- 23dBm @ -35dB DEVM for 802.11ac
- 25dBm @ -30dB DEVM for 802.11a
- <-45dBm/MHz for 2nd Harmonic at 23 dBm
- <-45dBm/MHz for 3rd Harmonic at 23 dBm
- Complete Input and Output Match
- On-Chip Output Power Detector
- Small Footprint: 4x4mm<sup>2</sup>
- Low Profile: 0.9mm
- RoHS Compliant & Halogen Free

### Applications

- 802.11ac/a/n Access Points, Media Gateways, Set-top Boxes, and other Triple-play Multimedia Devices.

### Block Diagram

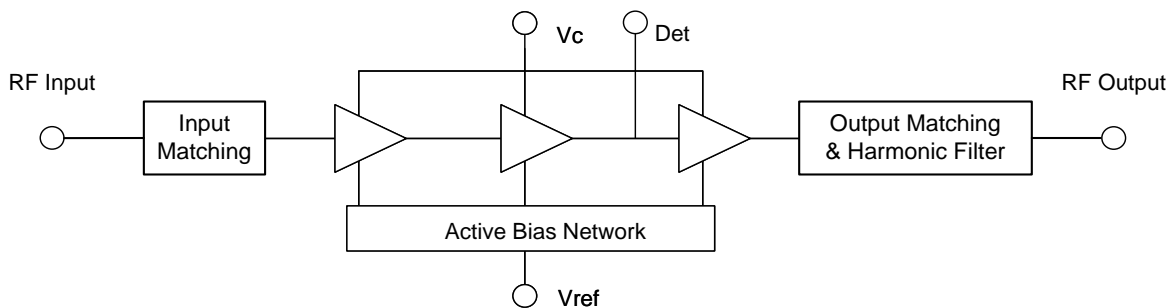
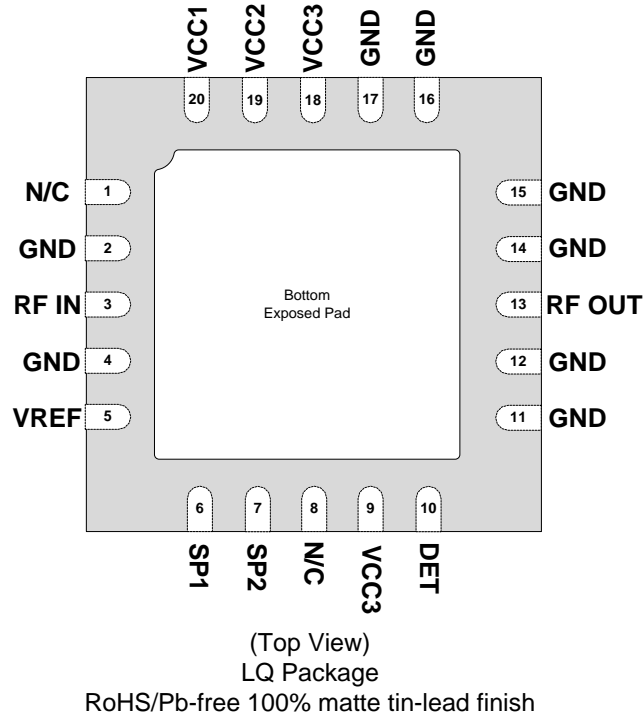


Figure 1 - Functional Block Diagram

## Pin Configuration



**Figure 2** - Pinout (Top View)

## Ordering Information

Ambient Temperature	Type	Package	Part Number	Packaging Type
0°C to 70°C	RoHS2 compliant, Pb-free	QFN 4x4 20L	LX5531LQ	Bulk / Tube
			LX5531LQ-TR	Tape and Reel

PRODUCTION DATA – Information contained in this document is proprietary to Microsemi and is current as of publication date. This document may not be modified in any way without the express written consent of Microsemi. Product processing does not necessarily include testing of all parameters. Microsemi reserves the right to change the configuration and performance of the product and to discontinue product at any time



**Microsemi Corporate Headquarters**  
One Enterprise, Aliso Viejo CA 92656 USA  
Within the USA: +1 (949) 380-6100  
Sales: +1 (949) 380-6136  
Fax: +1 (949) 215-4996

Microsemi Corporation (NASDAQ: MSCC) offers a comprehensive portfolio of semiconductor solutions for: aerospace, defense and security; enterprise and communications; and industrial and alternative energy markets. Products include high-performance, high-reliability analog and RF devices, mixed signal and RF integrated circuits, customizable SoCs, FPGAs, and complete subsystems. Microsemi is headquartered in Aliso Viejo, Calif. Learn more at [www.microsemi.com](http://www.microsemi.com).

© 2014 Microsemi Corporation. All rights reserved. Microsemi and the Microsemi logo are trademarks of Microsemi Corporation. All other trademarks and service marks are the property of their respective owners.

LX5531 Rev. 1.3  
(Abridged)

## X-ON Electronics

Largest Supplier of Electrical and Electronic Components

*Click to view similar products for [RF Amplifier](#) category:*

*Click to view products by [Microsemi](#) manufacturer:*

Other Similar products are found below :

[A82-1](#) [BGA622H6820XTSA1](#) [BGA 728L7 E6327](#) [BGB719N7ESDE6327XTMA1](#) [HMC397-SX](#) [HMC405](#) [HMC561-SX](#) [HMC8120-SX](#)  
[HMC8121-SX](#) [HMC-ALH382-SX](#) [HMC-ALH476-SX](#) [SE2433T-R](#) [SMA3101-TL-E](#) [SMA39](#) [A66-1](#) [A66-3](#) [A67-1](#) [LX5535LQ](#) [LX5540LL](#)  
[MAAM02350](#) [HMC3653LP3BETR](#) [HMC549MS8GETR](#) [HMC-ALH435-SX](#) [SMA101](#) [SMA32](#) [SMA411](#) [SMA531](#) [SST12LP17E-XX8E](#)  
[SST12LP19E-QX6E](#) [WPM0510A](#) [HMC5929LS6TR](#) [HMC5879LS7TR](#) [HMC1126](#) [HMC1087F10](#) [HMC1086](#) [HMC1016](#) [SMA1212](#)  
[MAX2689EWS+T](#) [MAAMSS0041TR](#) [MAAM37000-A1G](#) [LTC6430AIUF-15#PBF](#) [CHA5115-QDG](#) [SMA70-2](#) [SMA4011](#) [A231](#) [HMC-](#)  
[AUH232](#) [LX5511LQ](#) [LX5511LQ-TR](#) [HMC7441-SX](#) [HMC-ALH310](#)