

### Features

- Low Cost
- Rugged Housings
- Low Noise
- High Sensitivity

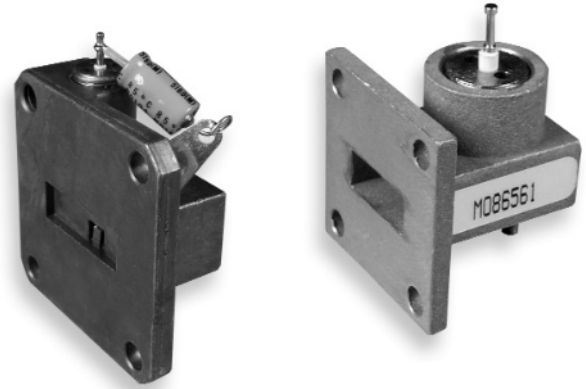
### Applications

- Moisture Measurement
- Microwave Counters
- Liquid Level Indicators
- Flow/No Flow Sensors
- Microwave Perimeter Protection

### Specifications @ 25°C

Part Number	Center Frequency (GHz)	Minimum Detectable Signal (dBm) <sup>1</sup>	RF Bandwidth (MHz)
<i>X Band Detector, Waveguide Mount</i>			
MO86571	10.525	-45	300
<i>K Band Detector, Waveguide Mount</i>			
MO86561	24.150	-45	300

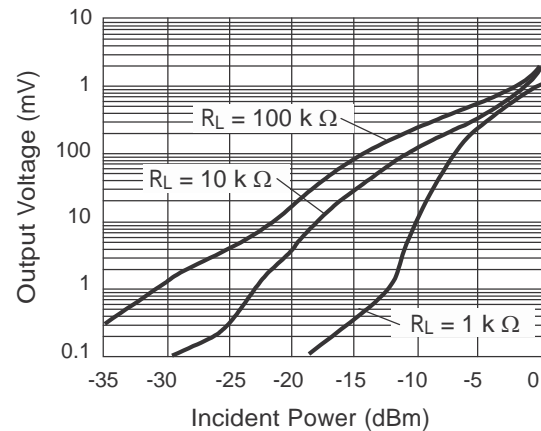
1. Video amplifier: 1 MHz bandwidth, 2 dB noise figure, 100 K $\Omega$  input resistance.  
 Other frequencies and power levels available upon request.  
 Operating temperature is -30°C to +70°C.  
 Storage temperature is -40°C to +85°C.



### Description

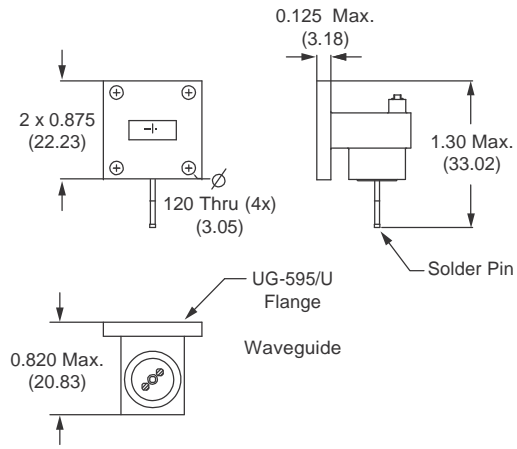
Microsemi's MO86561 and MO86571 waveguide detectors consist of selected Schottky barrier diodes assembled in a rugged housing suitable for use in industrial applications as a RF detector.

### Typical Performance Characteristics

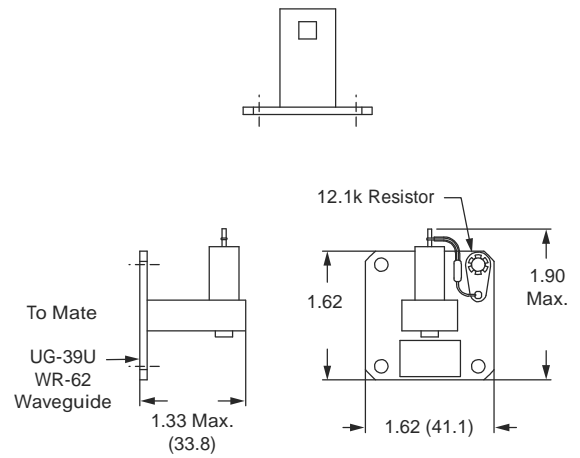


**MO86561**

Frequency = 24.125 GHz.  
 $I_F = 0 \mu A$ .

**MO86561**


Dimensions are in inches (mm).

**MO86571**


Dimensions are in inches (mm).

## X-ON Electronics

Largest Supplier of Electrical and Electronic Components

*Click to view similar products for [Air Quality Sensors](#) category:*

*Click to view products by [Microsemi](#) manufacturer:*

Other Similar products are found below :

[GMS-MSTH2.S.V.3](#) [MO86571](#) [MO86561](#) [595001074420009](#) [076074 01](#) [DE800.A.1](#) [MF010-2-LC1](#) [MF020-2-LC3](#) [KGZ10-5PIN](#)  
[GMS10SENSORS](#) [IR25TT](#) [208280-0001](#) [LIS3MDL](#) [3-AXIS MAGNETOMETER CARRIER](#) [SS-BME280#I2C](#) [SS-BMP280#I2C](#) [SS-CCS811#I2C](#) [SS-HDC2010+CCS811#I2C](#) [SS-HDC2010#I2C](#) [GMS10-18C](#) [KGZ12](#) [INIR-RF-R290](#) [INIR-RF-R32](#) [MODBUS-RS485](#)  
[114991728](#) [114991732](#) [COLORPAL](#) [MR003-001.2](#) [MIKROE-1628](#) [SEN0162](#) [T6713-6H](#) [FXTH8709026T1](#) [POLOLU-1482](#) [MF010-0-LC4](#)  
[MF010-0-LC3](#) [ELECDDIT.V.1](#) [GP2Y0D02YK0F](#) [803P602](#) [ZS-510-B](#) [1201148022](#) [1201190004](#) [1201148023](#) [DE800.V.1](#) [D5VM-3P1](#) [E3X-MC11](#) [EE-SPZ301](#) [XS5FD421G80A](#) [SGAS701](#) [SGAS711](#) [HPMA115S0-XXX](#) [T3032-2-5K-24-P](#)