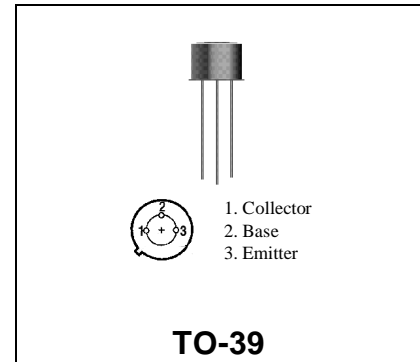


MS1649
**RF & MICROWAVE TRANSISTORS
UHF CLASS C MOBILE APPLICATIONS**
Features

- 470 MHz
- $P_{OUT} = 3W$
- $G_P = 9.5dB$ MINIMUM
- COMMON EMITTER CONFIGURATION

DESCRIPTION:

The MS1649 is a 12.5V epitaxial NPN planar transistor designed primarily for UHF communications. This device is packaged in a grounded emitter TO-39 package for increased power gain and optimum heat dissipation.


ABSOLUTE MAXIMUM RATINGS ($T_{case} = 25^{\circ}C$)

Symbol	Parameter	Value	Unit
V_{CBO}	Collector-Base Voltage	36	V
V_{CEO}	Collector-Emitter Voltage	16	V
V_{EBO}	Emitter-Base Voltage	3.5	V
I_C	Collector Current	1.0	A
P_{TOT}	Total Power Dissipation	7.8	W
T_{STG}	Storage Temperature	-65 to +200	$^{\circ}C$
T_J	Junction Temperature	+200	$^{\circ}C$

Thermal Data

$R_{TH(J-C)}$	Thermal Resistance Junction-Case	35.0	$^{\circ}C/W$
---------------	----------------------------------	------	---------------

ELECTRICAL SPECIFICATIONS (T_{case} = 25°C)
STATIC

Symbol	Test Conditions		Value			Unit
			Min.	Typ.	Max.	
BV_{CES}	I_C = 50mA	V_{BE} = 0	36	---	---	V
BV_{CEO}	I_C = 50mA	I_B = 0	16	---	---	V
BV_{EBO}	I_E = 1mA	I_C = 0	3.5	---	---	V
I_{CES}	V_{CB} = 12.5V	V_{BE} = 0	---	---	1.0	mA
H_{FE}	V_{CE} = 5.0V	I_C = 100mA	20	---	150	---

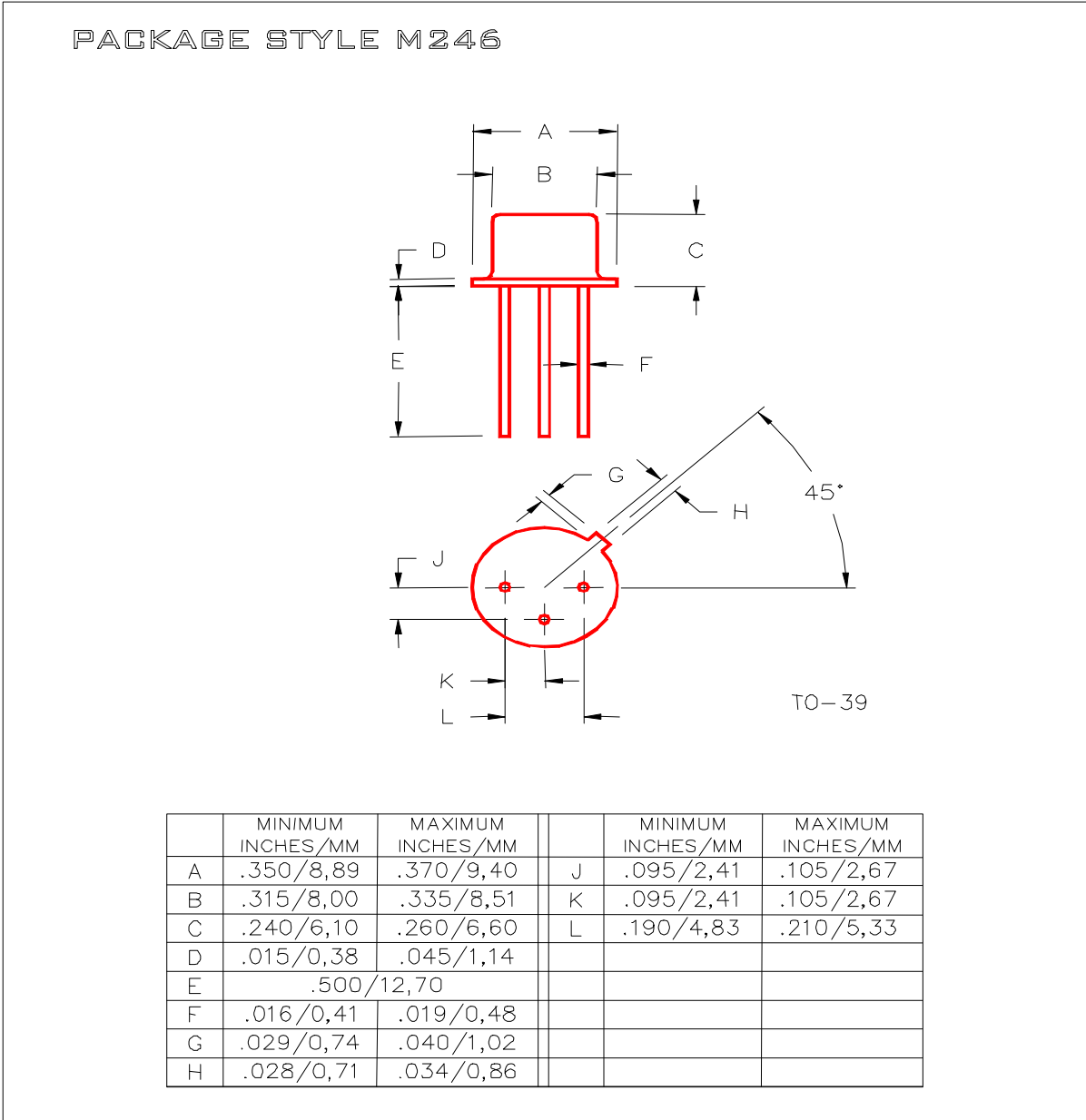
DYNAMIC

Symbol	Test Conditions			Value			Unit
				Min.	Typ.	Max.	
G_{PE}	f = 470MHz	P_{OUT} = 3.0W	V_{CC} = 12.5V	9.5	---	---	dB
η	f = 470MHz	P_{OUT} = 3.0W	V_{CC} = 12.5V	50	---	---	%
C_{OB}	f = 1.0MHz	V_{CB} = 12.5 V		---	---	12	pf

IMPEDANCE DATA

FREQ	Z _{IN} (Ω)	Z _{CL} (Ω)
175 MHz	3.5 + j1.2	14.0 + j10.0
470 MHz	3.3 + j3.2	11.0 + j5.7

PACKAGE MECHANICAL DATA



X-ON Electronics

Largest Supplier of Electrical and Electronic Components

Click to view similar products for [RF Bipolar Transistors](#) category:

Click to view products by [Microsemi](#) manufacturer:

Other Similar products are found below :

[MAPRST0912-50](#) [MCH4016-TL-H](#) [MMBT5551-G](#) [MRF10120](#) [15GN01CA-TB-E](#) [PH1214-25M](#) [MAPRST0912-350](#) [MMBTH10-TP](#) [BFP640F H6327](#) [BFR 360F H6765](#) [MRF10031](#) [NSVF4009SG4T1G](#) [BFP 182R E7764](#) [BFP405H6740XTSA1](#) [MRF10350](#) [ASMA201](#)
[BFR360FH6765XTSA1](#) [BFP410H6327XTSA1](#) [BFP620FH7764XTSA1](#) [BFP720ESDH6327XTSA1](#) [BFP720FH6327XTSA1](#)
[BFR360L3E6765XTMA1](#) [BFP420H6433XTMA1](#) [BFP420H6740XTSA1](#) [BFP420H6801XTSA1](#) [MCH4015-TL-H](#) [BF888H6327XTSA1](#)
[MMBT2222A-G](#) [BFP196WH6327XTSA1](#) [BFP405FH6327XTSA1](#) [BFP640ESDH6327XTSA1](#) [BFR193L3E6327XTMA1](#)
[BFS483H6327XTSA1](#) [NSVF4020SG4T1G](#) [NSVF6003SB6T1G](#) [MRF10005](#) [BFP420FH6327XTSA1](#) [BFP740FESDH6327XTSA1](#)
[BFR181E6327HTSA1](#) [BFR181WH6327XTSA1](#) [BFR182E6327HTSA1](#) [BFR193E6327HTSA1](#) [BFP181E7764HTSA1](#)
[BFP183WH6327XTSA1](#) [BFP720H6327XTSA1](#) [BFR182WH6327XTSA1](#) [BFU590GX](#) [MAPR-000912-500S00](#) [BFR340FH6327XTSA1](#)
[STGWT30HP65FB](#)