

# VSC8221

## Single Port 10/100/1000BASE-T PHY with 1.25 Gbps SerDes for SFPs / GBICs

The VSC8221 is the smallest, lowest power Gigabit Ethernet over copper PHY available and is ideal for SFP/GBIC and Media Converter applications. It is the only triple speed copper SFP PHY to meet the stringent MSA power consumption requirement of <1 W for the entire module. Its integrated switching regulator enables it to be powered by a single 3.3 V power supply, reducing board space requirements and system cost.

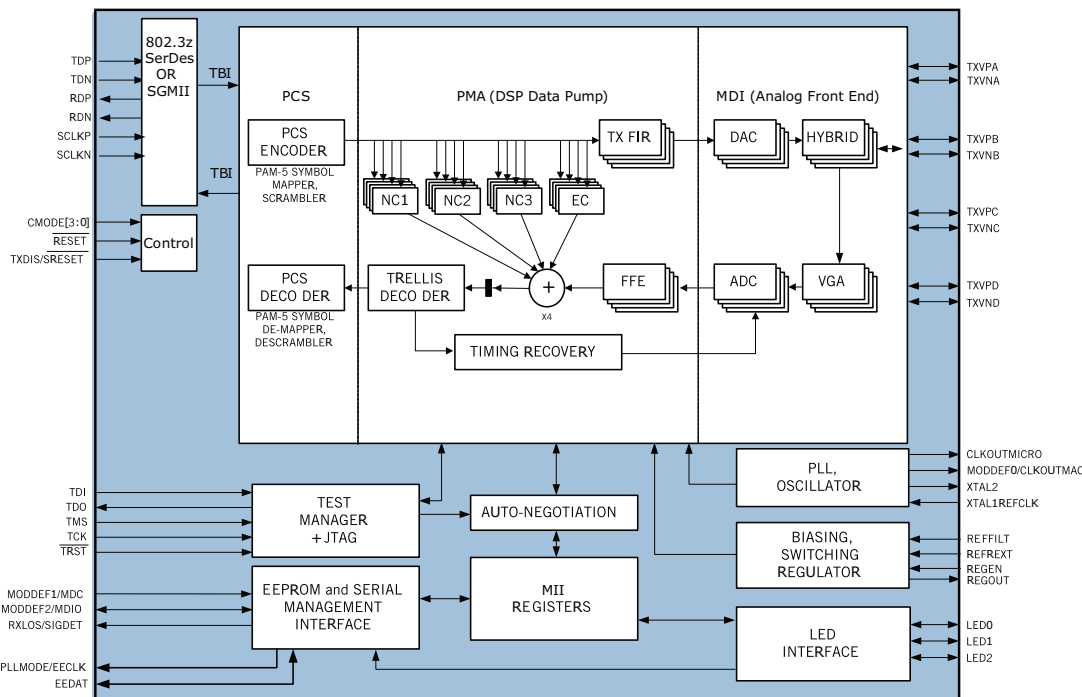
Microsemi's mixed signal and DSP architecture yields robust performance, supporting both full and half duplex 10BASE-T, 100BASE-TX, and 1000BASE-T over >140 m of Category 5, unshielded twisted pair (UTP) cable, with industry leading tolerance to NEXT, FEXT, Echo, and system noise.

### Applications

- Triple Speed Copper SFP/GBIC modules
- Media converters

### Specifications

- Steady state power consumption (1000BASE-T) including SerDes
- Power consumption in ActiPHY™ power down mode
- Cable link length supported in 1000BASE-T & 100BASE-TX modes
- SerDes, SGMII interface data rate
- DC power supply voltage range
- Crystal parallel resonant frequency ( $\pm 100$  ppm tolerance)



# VSC8221

## Single Port 10/100/1000BASE-T PHY with 1.25 Gbps SerDes for SFPs / GBICs

### Features

- Very low power consumption at < 700 mW
- Single 3.3 V power supply with on-chip regulator
- Patented, low EMI line driver with integrated line side termination resistors
- Supports PICMG 2.16 and 3.0 Ethernet backplanes at approximately 500 mW
- High performance 1.25 Gbps SerDes supports SGMII and SerDes to CAT-5 interfaces
- Compliant with IEEE 802.3 (10BASE-T, 100BASE-TX, 1000BASE-T, 1000BASE-X) and SFP MSA specifications
- Full suite of BIST, MAC, far-end, and connector loopback modes
- Over 150 m of Category 5 reach with industry's highest noise tolerance
- VeriPHY™ cable diagnostics software suite
- Automatic detection and correction of cable pair swaps, pair skew and pair polarity, along with auto MDI/MDI-X crossover function
- Several flexible power management modes
- Manufactured in advanced 0.13  $\mu\text{m}$ , 3.3 V/1.2 V digital CMOS process

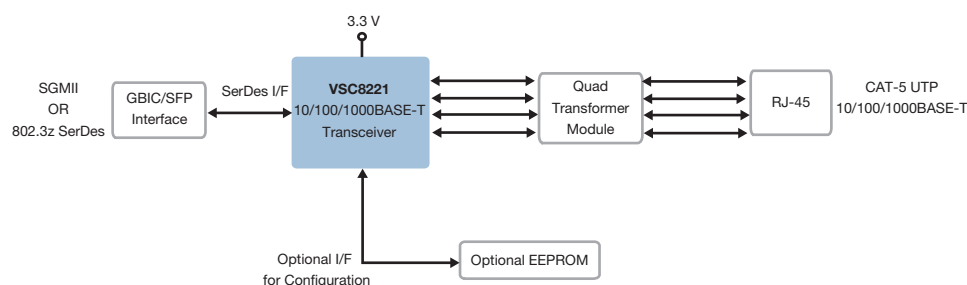
### Benefits

- Only Gigabit Ethernet PHY that enables copper SFP designers to meet the stringent MSA power consumption specification of < 1 W

- Eliminates external regulators, reducing system costs
- Removed 12 passive components, reducing PCB area and cost by 50%
- Lowest power mode reduces power supply costs
- Connects to serial MACs or optical modules and can be used to design copper SFP/GBIC modules and 100BASE-FX modules
- Ensures seamless deployment throughout copper and optical networks with industry's highest tolerance to noise and substandard cabling infrastructures
- Simplifies comprehensive in-system test to ensure the highest product quality
- Ensures trouble-free deployment in real world Ethernet networks
- Enables network manufacturers to simplify deployment and improve network management capabilities of gigabit Ethernet links
- Compatible with 1st generation 1000BASE-T PHYs, minimizing common interoperability problems
- Reduces power consumption and system costs
- Most cost effective technology eliminates more expensive analog process variants

### Related Products

Visit [www.microsemi.com](http://www.microsemi.com) for information about other related products.



**Microsemi Corporate Headquarters**  
 One Enterprise, Aliso Viejo, CA 92656 USA  
 Within the USA: +1 (800) 713-4113  
 Outside the USA: +1 (949) 380-6100  
 Sales: +1 (949) 380-6136  
 Fax: +1 (949) 215-4996  
 email: [sales.support@microsemi.com](mailto:sales.support@microsemi.com)  
[www.microsemi.com](http://www.microsemi.com)

Microsemi Corporation (Nasdaq: MSCC) offers a comprehensive portfolio of semiconductor and system solutions for communications, defense and security, aerospace, and industrial markets. Products include high-performance and radiation-hardened analog mixed-signal integrated circuits, FPGAs, SoCs, and ASICs; power management products; timing and synchronization devices and precise time solutions; voice processing devices; RF solutions; discrete components; enterprise storage and communications solutions, security technologies, and scalable anti-tamper products; Ethernet solutions; Power-over-Ethernet ICs and midspans; custom design capabilities and services. Microsemi is headquartered in Aliso Viejo, California, and has approximately 4,800 employees worldwide. Learn more at [www.microsemi.com](http://www.microsemi.com).

## X-ON Electronics

Largest Supplier of Electrical and Electronic Components

*Click to view similar products for [Ethernet ICs category](#):*

*Click to view products by [Microsemi manufacturer](#):*

Other Similar products are found below :

[EZFM6324A S LKA5](#) [EZFM6364A S LKA7](#) [12200BS23MM](#) [EZFM5224A S LKA3](#) [VSC8522XJQ-02](#) [WGI219LM SLKJ3](#) [JL82599EN S R1ZS](#) [EZFM6348A S LKA6](#) [WGI219V SLKJ5](#) [BCM84793A1KFSBG](#) [BCM56680B1KFSBLG](#) [BCM53402A0KFSBG](#) [BCM56960B1KFSBG](#) [EZX557AT2 S LKVX](#) [BCM56842A1KFTBG](#) [BCM56450B1KFSBG](#) [EZX557AT S LKW4](#) [RTL8153-VC-CG](#) [CH395L](#) [BCM56864A1IFSBG](#) [WGI219LM SLKJ2](#) [KSZ8462FHLL](#) [KSZ8841-16MVLI](#) [KSZ9897STXC](#) [KSZ8842-16MVLI](#) [KSZ8893MQL](#) [VSC8244XHG](#) [ADIN2111BCPZ](#) [FIDO2100BGA128IR0](#) [FIDO5210BBCZ](#) [FIDO5200CBCZ](#) [ADIN1110BCPZ](#) [ADIN1110CCPZ](#) [ADIN1100BCPZ](#) [ADIN1110CCPZ-R7](#) [ADIN1100CCPZ-R7](#) [DM9000EP](#) [DM9161AEP](#) [HG82567LM S LAVY](#) [LAN9210-ABZJ](#) [LAN91C93I-MS](#) [LAN9221-ABZJ](#) [LAN9221I-ABZJ](#) [LAN9211-ABZJ](#) [EZFM4105F897C S LKAM](#) [EZFM4224F1433E S LKAD](#) [EZFM4224F1433I S LKAE](#) [FBFM2112F897C S LJLS](#) [JL82576GB S LJBM](#) [JL82576NS S LJBP](#)