




TFT Module Specification

MODEL: AWD-480480T28N01

This module uses ROHS material

CUSTOMER
APPROVED BY
DATE:

Approved by	Checked by		Made by
			

Tel:1 (888) 499-8477

Fax: (407) 273-0771

E-mail: mtusainfo@microtipsusa.com

Web: www.microtipsusa.com



Product Specification	Model:	AWD-480480T28N01	Rev. No.	Issued Date.	Page.
			A	2024/03/19	3 / 23

Table of Contents

List	Description	Page No.
	Cover	1
	Revision Record	2
	Table of Contents	3
1	Scope	4
2	General Information	4
3	External Dimensions	5
4	Interface Description	6
5	Absolute Maximum Ratings	7
6	DC Characteristics	7
7	Timing Characteristics	8
8	Backlight Characteristics	13
9	Optical Characteristics	14
10	Reliability Test Conditions and Methods	16
11	Inspection Standard	17
12	Handling Precautions	21
13	Precaution for Use	23

Product Specification	Model:	AWD-480480T28N01	Rev. No.	Issued Date.	Page.
			A	2024/03/19	4 / 23

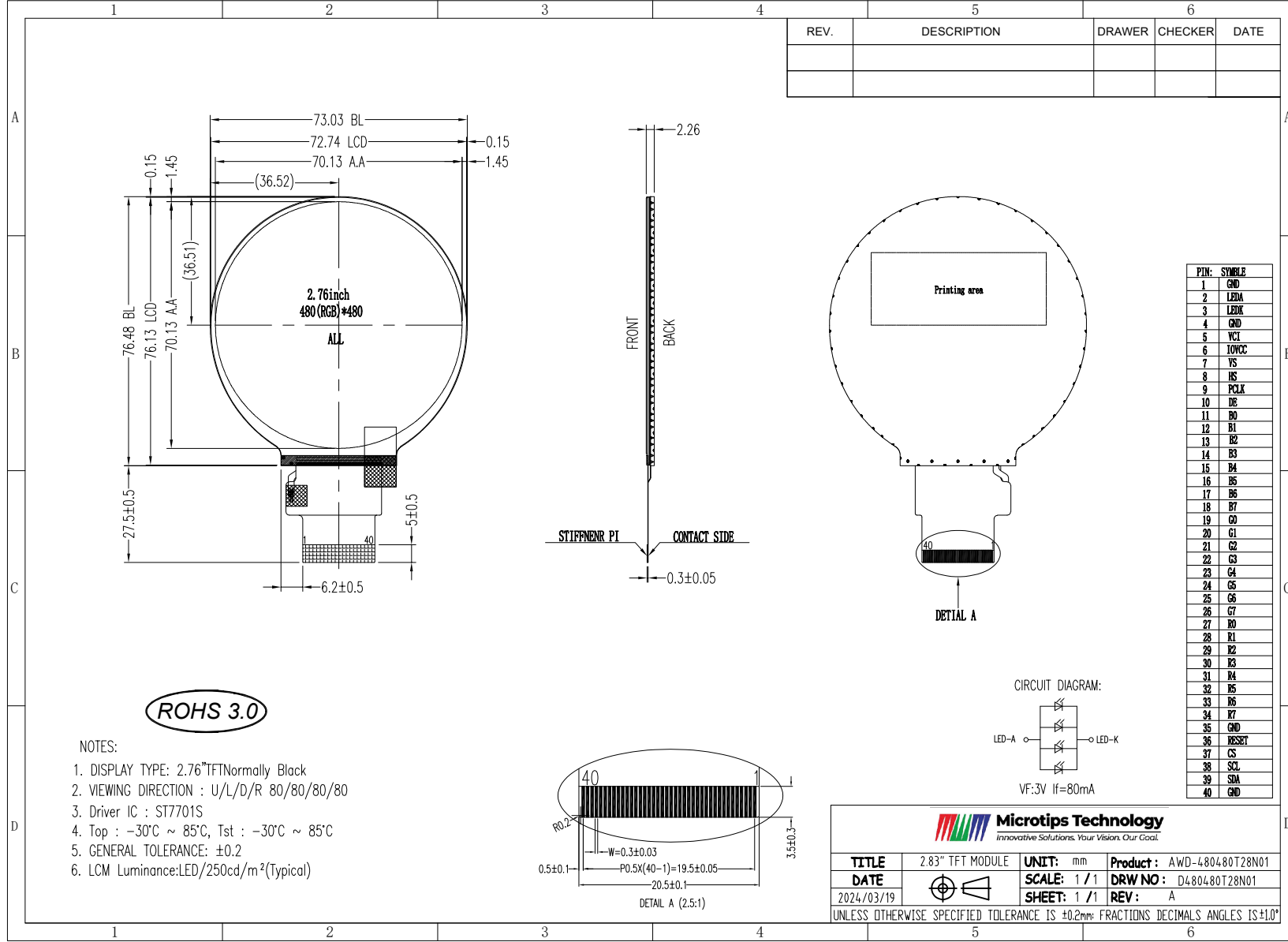
1. Scope

This specification defines general provisions as well as inspection standards for TFT module supplied by Micotips Technology. If the event of unforeseen problem or unspecified items may occur, naturally shall negotiate and agree to solution

1. 2. General Information

Item	Standard Values	Units
LCD type	2.76" TFT	--
Dot arrangement	480 (RGB)×480	dots
Color filter array	RGB vertical stripe	--
Display mode	IPS / Normally Black	-
Eyes Viewing Direction	ALL(85/85/85/85)	--
Driver IC	ST7701S	--
Module size	73.03(W)×76.48(H)×2.26(T)	mm
Active area	70.13(W)×70.13(H)	mm
Dot pitch	0.146(W)×0.146(H)	mm
Interface	RGB (888) 24bit	--
Operating temperature	-30 ~ +85	°C
Storage temperature	-30 ~ +85	°C
Back Light	4 White LEDS	--
Weight	TBD	g

3. External Dimensions



Product Specification	Model:	AWD-480480T28N01	Rev. No.	Issued Date.	Page.
			A	2024/03/19	6 / 23

4. Interface Description

PIN NO.	PIN NAME	DESCRIPTION
1	GND	Power ground
2	LEDA	LED backlight (Anode).
3	LEDK	LED backlight (Cathode).
4	GND	Power ground
5	VCI	Analog Supply Voltage
6	IOVCC	Logic Supply Voltage
7	VS	Frame synchronizing signal for RGB interface operation.
8	HS	Line synchronizing signal for RGB interface operation.
9	PCLK	Dot clock signal for RGB interface operation.
10	DE	Data enable signal for RGB interface operation.
11~18	G0~G7	Blue data input pin.
19~26	B0~B7	Green data input pin.
27~34	R0~R7	Red data input pin.
35	GND	Power ground
36	RESET	Reset input pin
37	CS	Chip select input pin.
38	SCL	Serial interface clock pin.
39	SDA	Serial in/out signal pin.
40	GND	Power ground

Product Specification	Model:	AWD-480480T28N01	Rev. No.	Issued Date.	Page.
			A	2024/03/19	7 / 23

5. Absolute Maximum Ratings

Item	Symbol	Min.	Max.	Unit
Analog Supply Voltage	IOVCC	-0.3	3.6	V
Power supply voltage	VCI	-0.3	3.6	V
Operating Temperature	TOP	-30	85	°C
Storage Temperature	TST	-30	85	°C
Storage Humidity	HD	20	90	%RH

6. DC Characteristics

Item	Symbol	Min.	Typ.	Max.	Unit	Remark
Analog Supply Voltage	IOVCC	1.65	1.8	3.3	V	-
Analog Supply Current	IIOVCC	-	TBD	TBD	mA	-
Power supply voltage	VCI	2.5	2.8	3.6	V	-
Power supply Current	IVCI	-	TBD	TBD	mA	-
Input High Voltage	V _{IH}	0.7IOVCC	-	IOVCC	V	-
Input Low Voltage	V _{IL}	GND	-	0.3 IOVCC	V	-
Output High Voltage	V _{OH}	0.8IOVCC	-	IOVCC	V	-
Output Low Voltage	V _{OL}	GND	-	0.2IOVCC	V	-
I/O Leak Current	ILI	-0.1	-	1	uA	-

Product Specification	Model:	AWD-480480T28N01	Rev. No.	Issued Date.	Page.
			A	2024/03/19	8 / 23

7. Timing Characteristics

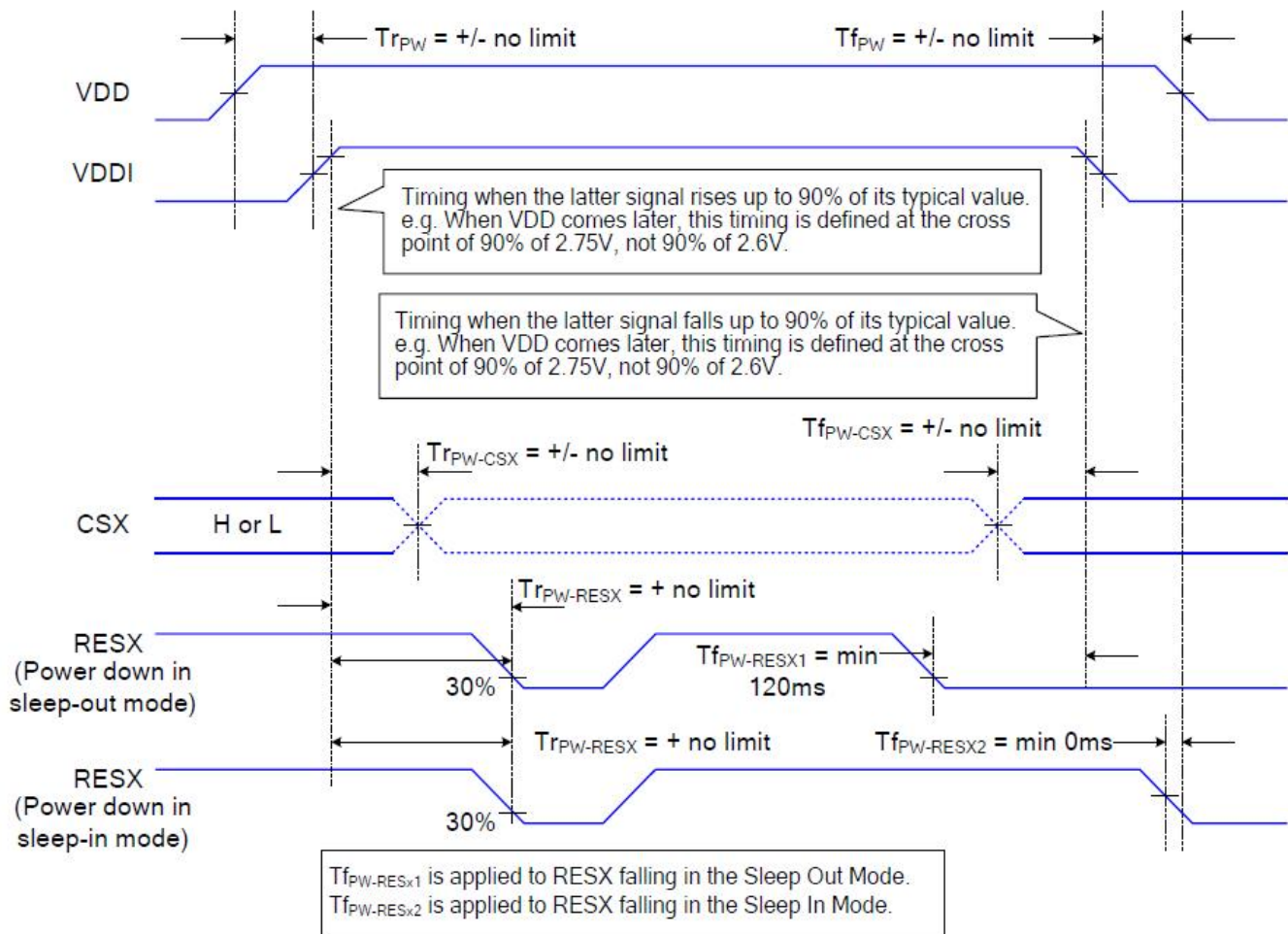
7.1. Power ON/OFF Sequence

VDDI and VDDA can be applied or powered down in any order. During the Power Off sequence, if the LCD is in the Sleep Out mode, VDDA and VDDI must be powered down with minimum 120msec. If the LCD is in the Sleep In mode, VDDA and VDDI can be powered down with minimum 0msec after the RESX is released. CSX can be applied at any timing or can be permanently grounded. RESX has high priority over CSX.

Notes:

1. There will be no damage to the ST7701 if the power sequences are not met.
2. There will be no abnormal visible effects on the display panel during the Power On/Off Sequences.
3. There will be no abnormal visible effects on the display between the end of Power On Sequence and before receiving the Sleep Out command, and also between receiving the Sleep In command and the Power Off Sequence.
4. If the RESX line is not steadily held by the host during the Power On Sequence as defined in Sections 9.1 and 9.2, then it will be necessary to apply the Hardware Reset (RESX) after the completion of the Host Power On Sequence to ensure correct operations. Otherwise, all the functions are not guaranteed.

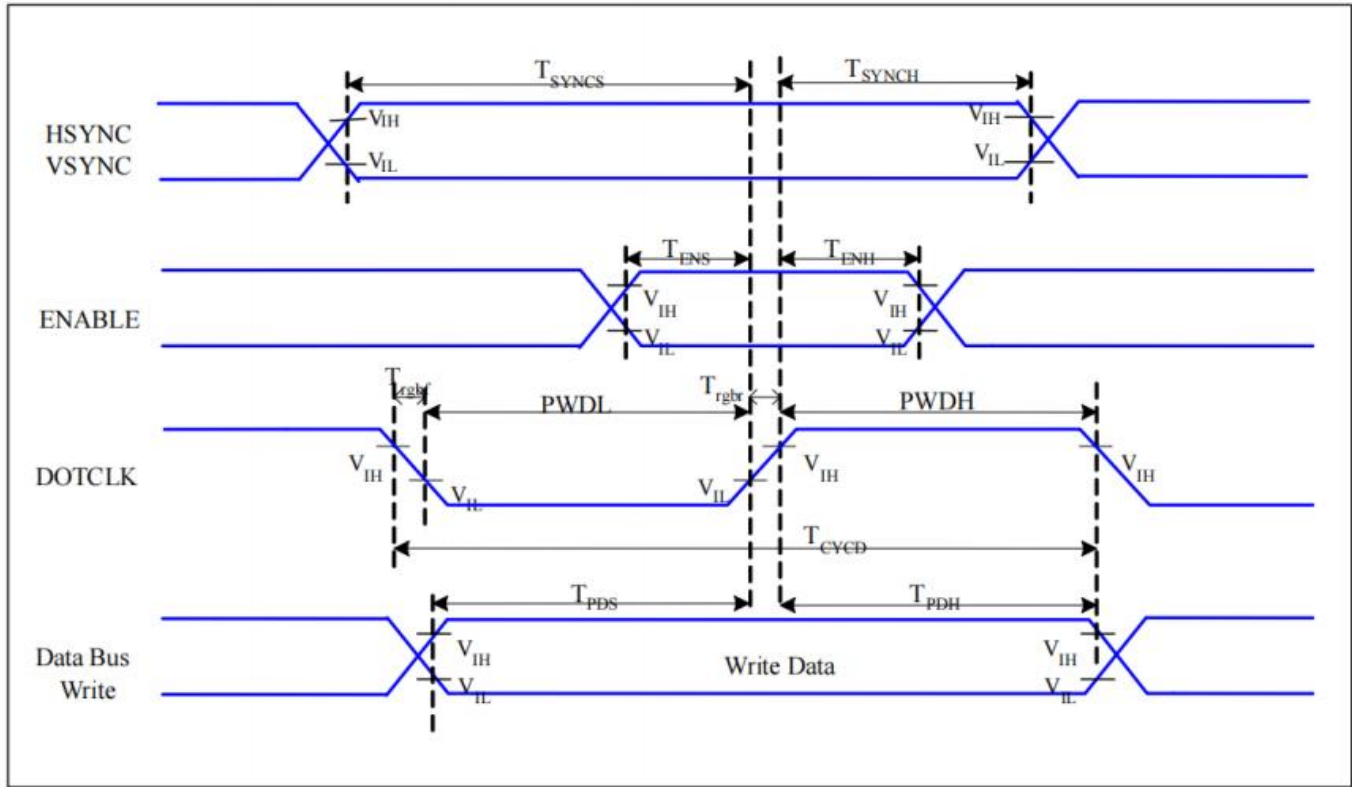
The power on/off sequence is illustrated below



Product Specification	Model:	AWD-480480T28N01	Rev. No.	Issued Date.	Page.
			A	2024/03/19	9 / 23

7.2 AC Characteristics

RGB Interface Characteristics

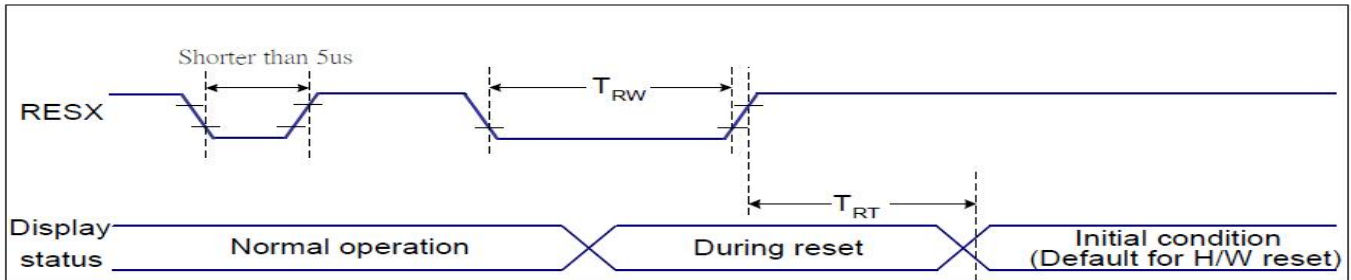


$V_{DD1}=1.8, V_{DD}=2.8, AGND=DGND=0V, T_a=25\text{ }^{\circ}\text{C}$

Signal	Symbol	Parameter	MIN	MAX	Unit	Description
HSYNC, VSYNC	T_{SYNCS}	VSYSNC, HSYNC Setup Time	5	-	ns	
	T_{SYNCH}	VSYSNC, HSYNC Hold Time	5	-	ns	
ENABLE	T_{ENS}	Enable Setup Time	5	-	ns	
	T_{ENH}	Enable Hold Time	5	-	ns	
DOTCLK	$PWDH$	DOTCLK High-level Pulse Width	15	-	ns	
	$PWDL$	DOTCLK Low-level Pulse Width	15	-	ns	
	T_{CYCD}	DOTCLK Cycle Time	33	-	ns	
	T_{rgbr}, T_{rgbf}	DOTCLK Rise/Fall time	-	15	ns	
DB	T_{PDS}	PD Data Setup Time	5	-	ns	
	T_{PDH}	PD Data Hold Time	5	-	ns	

Product Specification	Model:	AWD-480480T28N01	Rev. No.	Issued Date.	Page.
			A	2024/03/19	10 / 23

7.3 Reset Timing Characteristics



Reset Timing

VDDI=1.8, VDD=2.8, AGND=DGND=0V, Ta=25 °C

Related Pins	Symbol	Parameter	MIN	MAX	Unit
RESX	TRW	Reset pulse duration	10	-	us
	TRT	Reset cancel	-	5 (Note 1, 5)	ms
			120 (Note 1, 6, 7)	ms	

Reset Timing

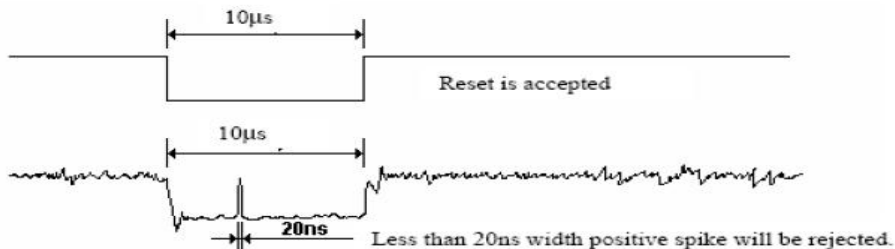
Notes:

- The reset cancel includes also required time for loading ID bytes, VCOM setting and other settings from NVM (or similar device) to registers. This loading is done every time when there is HW reset cancel time (tRT) within 5 ms after a rising edge of RESX.
- Spike due to an electrostatic discharge on RESX line does not cause irregular system reset according to the table below:

RESX Pulse	Action
Shorter than 5us	Reset Rejected
Longer than 9us	Reset
Between 5us and 9us	Reset starts

3. During the Resetting period, the display will be blanked (The display is entering blanking sequence, which maximum time is 120 ms, when Reset Starts in Sleep Out –mode. The display remains the blank state in Sleep In –mode.) and then return to Default condition for Hardware Reset.

4. Spike Rejection also applies during a valid reset pulse as shown below:

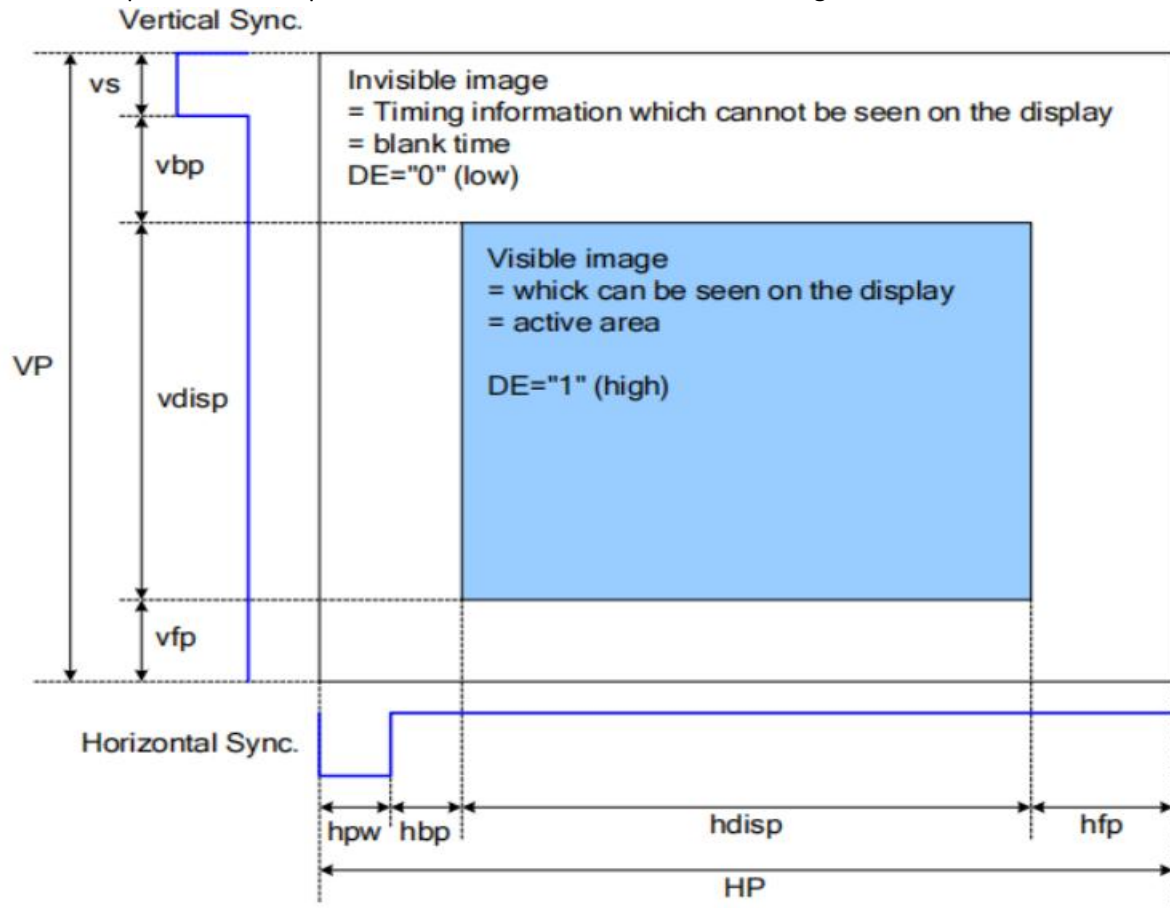


- When Reset applied during Sleep In Mode.
- When Reset applied during Sleep Out Mode.
- It is necessary to wait 5msec after releasing RESX before sending commands. Also Sleep Out command cannot be sent for 120msec.

Product Specification	Model:	AWD-480480T28N01	Rev. No.	Issued Date.	Page.
			A	2024/03/19	11 / 23

7.4 RGB Interface Definition

The display operation via the RGB interface is synchronized with the VSYNC, HSYNC, and DOTCLK signals. The data can be written only within the specified area with low power consumption by using window address function. The back porch and front porch are used to set the RGB interface timing.



Please refer to the following table for the setting limitation of RGB interface signals.

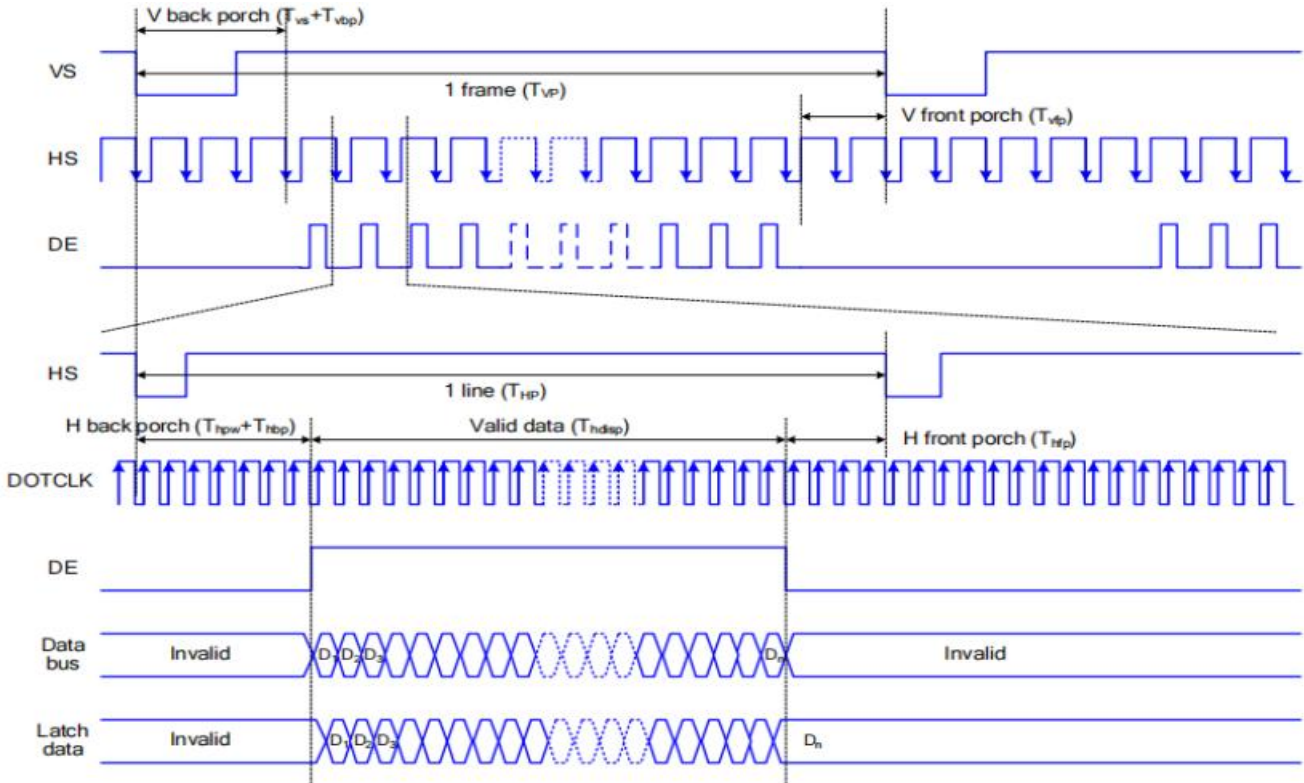
Parameter	Symbol	Min.	Typ.	Max.	Unit
Horizontal Sync. Width	hwp	2	-	255 (Note 2)	Clock
Horizontal Sync. Back Porch	hbp	2	--	255 (Note 2)	Clock
Horizontal Sync. Front Porch	hfp	2	--	-	Clock
Vertical Sync. Width	vs	2	--	254 (Note 2)	Line
Vertical Sync. Back Porch	vbp	2	--	254 (Note 2)	Line
Vertical Sync. Front Porch	vfp	2	--	--	Line

Note:

1. Typical value are related to the setting frame rate is 60Hz..
2. $VS+VBP \leq 254$, $HPW+HBP \leq 255$

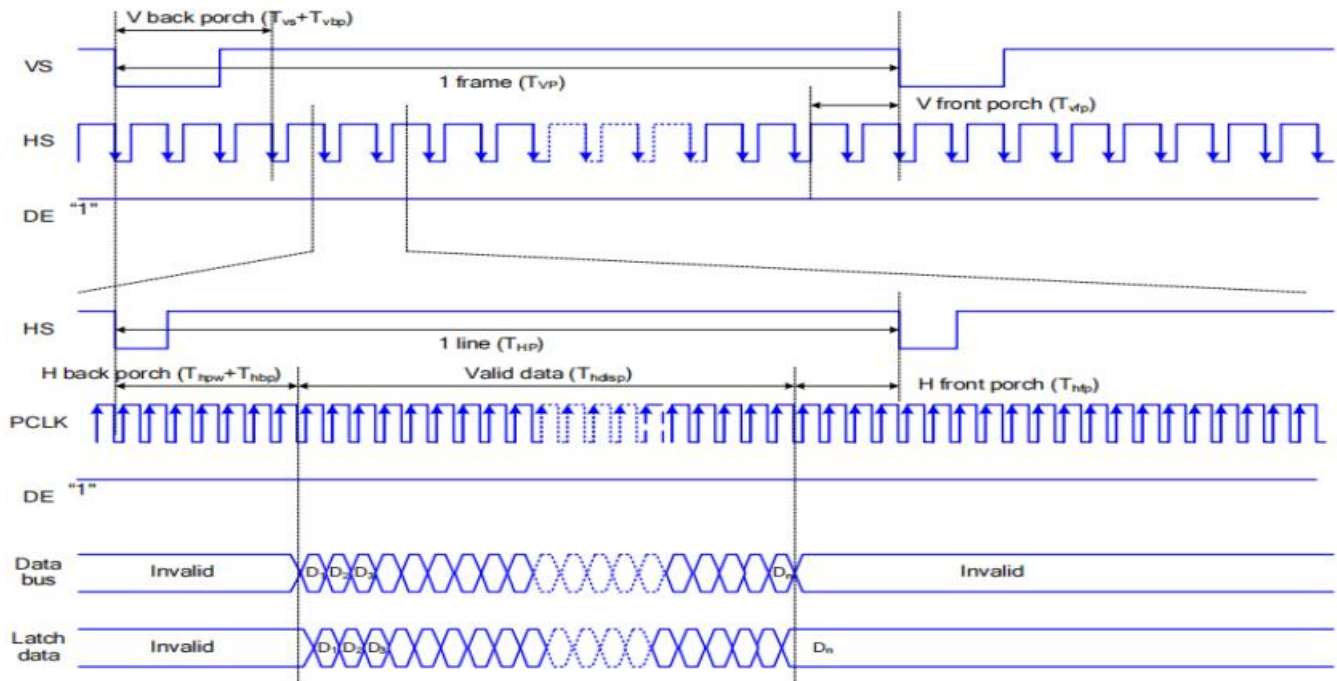
Product Specification	Model:	AWD-480480T28N01	Rev. No.	Issued Date.	Page.
			A	2024/03/19	12 / 23

7.5 RGB Interface Timing



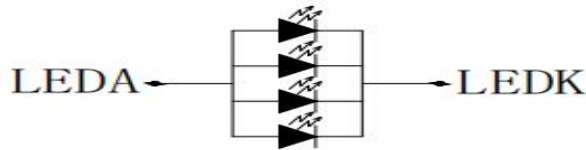
Note: The setting of front porch and back porch in host must match that in IC as this mode.

The timing chart of RGB interface HV mode is shown as follows.



Product Specification	Model:	AWD-480480T28N01	Rev. No.	Issued Date.	Page.
			A	2024/03/19	13 / 23

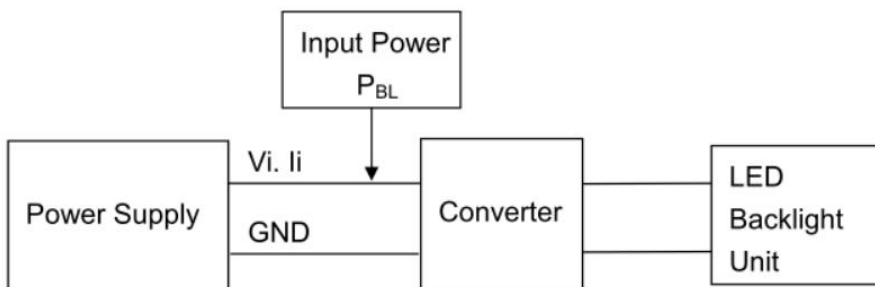
8. Backlight Characteristic



Item	Symbol	MIN	TYP	MAX	UNIT	Remark
Supply Voltage	Vf	2.7	3.2	3.5	V	Note 1
Supply Current	If	-	80	-	mA	Note 2
Life Time	-	-	30000	-	Hr	Note 3,4
Backlight Color	White					

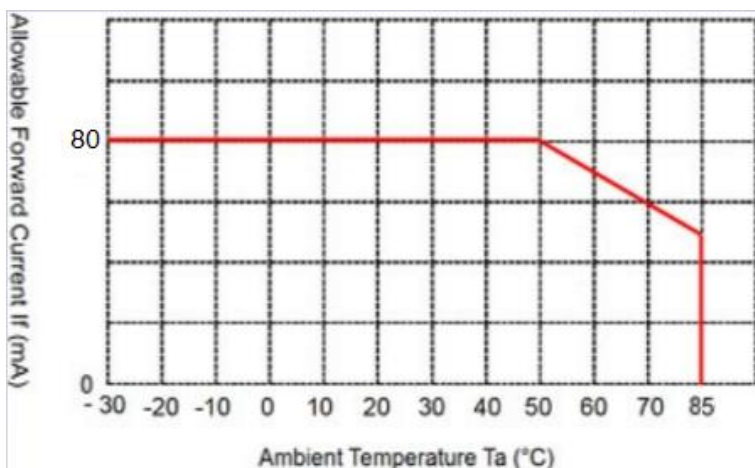
Note 1: The LED Supply Voltage is defined by the number of LED at $T_a=25^\circ\text{C}$ and $I_f=80\text{mA}$.

Note 2: LED current is measured by utilizing a high frequency current meter as shown below:



Note 3: The "LED life time" is defined as the module brightness decrease to 50% original brightness at $T_a=25^\circ\text{C}$ and $I_f=80\text{mA}$. The LED lifetime could be decreased if operating I_f is larger than 80mA.

Note 4: LED light bar circuit:

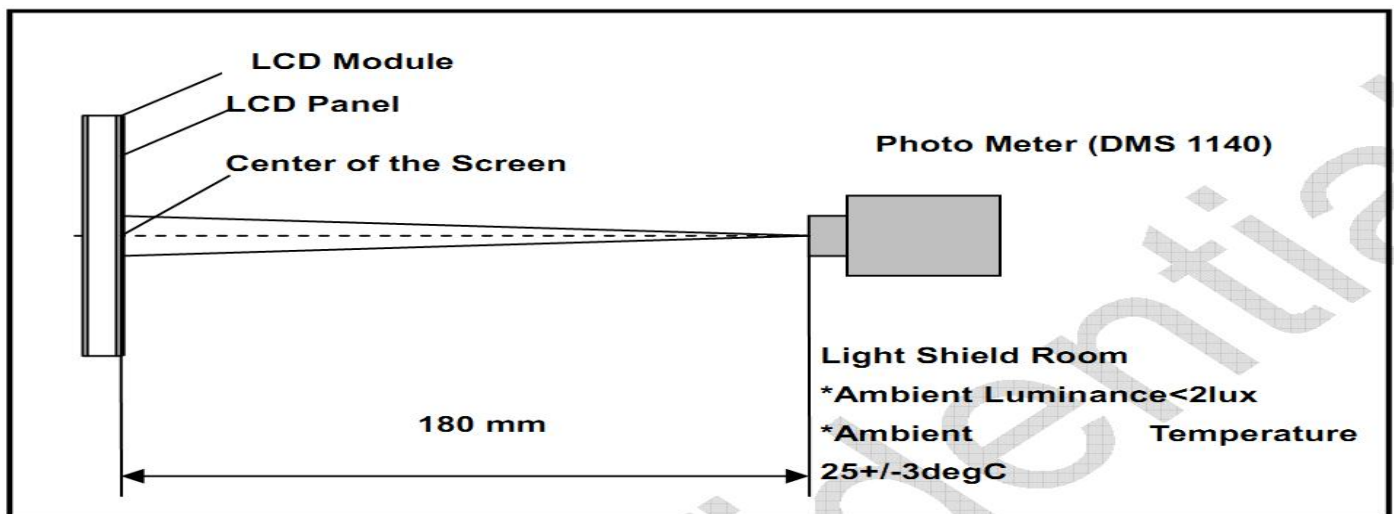


Product Specification	Model:	AWD-480480T28N01	Rev. No.	Issued Date.	Page.
			A	2024/03/19	14 / 23

9. Optical Characteristics

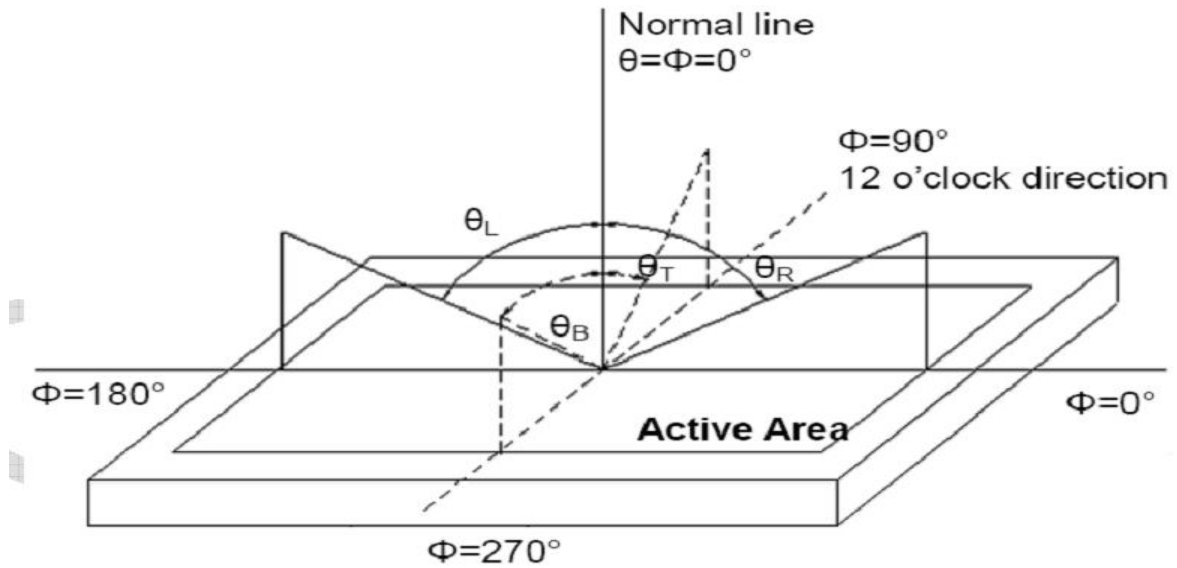
Item	Conditions	Min.	Typ.	Max.	Unit	Note	
Viewing Angle (CR>10)	Horizontal	θ_L	80	85	-	degree	(1),(2),(6)
		θ_R	80	85	-		
	Vertical	θ_T	80	85	-		
		θ_B	80	85	-		
Luminous Intensity for LCM	-	200	250	-	cd/m ²	If=80mA	
Uniformity for LCM	-	80	85	-	%	If=80mA	
Contrast Ratio	Center	800	1000	-	-	(1),(3),(6)	
Response Time	Rising +Falling	-	35	40	ms	(1),(4),(6)	
CF Color Chromaticity (CIE1931)	White x	0.2914	0.3414	0.3914	-	(1), (6)	
	White y	0.3544	0.4044	0.4544	-		
	Red x	0.5976	0.6476	0.6976	-		
	Red y	0.2761	0.3261	0.3761	-		
	Green x	0.2954	0.3454	0.3954	-		
	Green y	0.3423	0.3923	0.4423	-		
	Blue x	0.1021	0.1521	0.2021	-		
	Blue y	0.0557	0.1057	0.1557	-		

Note (1) Measurement Setup: The LCD module should be stabilized at given temp. 25°C for 15 minutes to avoid abrupt temperature change during measuring. In order to stabilize the luminance, the measurement should be executed after lighting backlight for 15 minutes in a windless room.



Product Specification	Model:	AWD-480480T28N01	Rev. No.	Issued Date.	Page.
			A	2024/03/19	15 / 23

Note (2) Definition of Viewing Angle



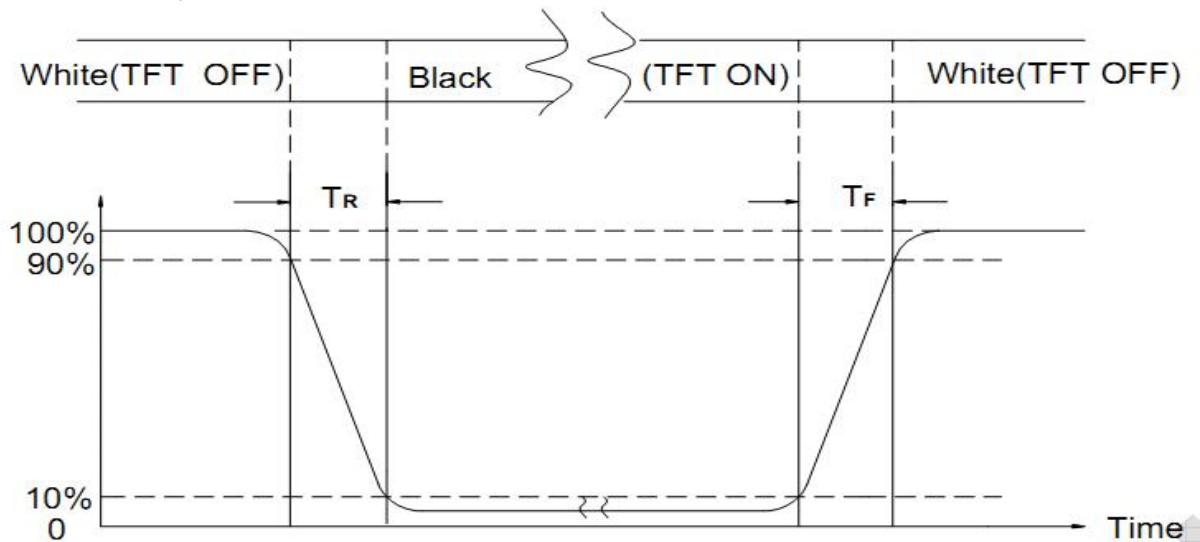
Note (3) Definition of Contrast Ratio (CR)

The contrast ratio can be calculated by the following expression

$$\text{Contrast Ratio (CR)} = L_{255} / L_0$$

L_{255} : Luminance of gray level 255, L_0 : Luminance of gray level 0

Note (4) Definition of response time



Note (5) Definition of Transmittance (Module is without signal input)

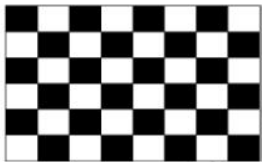

$$\text{Transmittance} = \text{Center Luminance of LCD} / \text{Center Luminance of Back Light} \times 100\%$$

Note (6) Definition of color chromaticity (CIE1931)

Color coordinates measured at the center point of LCD

Product Specification	Model:	AWD-480480T28N01	Rev. No.	Issued Date.	Page.
			A	2024/03/19	16 / 23

10. Reliability Test Conditions and Methods

No.	Test Items	Test Condition	Inspection After Test
1	High Temperature Storage	85°C±2°C×96Hours	Inspection after 2~4hours storage at room temperature, the samples should be free from defects: 1, Air bubble in the LCD. 2, Seal leak. 3, Non-display. 4, Missing segments. 5, Glass crack. 6, Current IDD is twice higher than initial value. 7, The surface shall be free from damage. 8, The electric characteristic requirements shall be satisfied.
2	Low Temperature Storage	-30°C±2°C×96Hours	
3	High Temperature Operating	85°C±2°C×96Hours	
4	Low Temperature Operating	-30°C±2°C×96Hours	
5	Temperature Cycle(Storage)	$ \begin{array}{c} -20^{\circ}\text{C} \xleftrightarrow{(30\text{min})} 25^{\circ}\text{C} \xleftrightarrow{(5\text{min})} 60^{\circ}\text{C} \\ \xleftarrow{(30\text{min})} \quad \quad \quad \xleftarrow{(30\text{min})} \\ \text{Total 10cycle} \end{array} $	
6	Damp Proof Test (Storage)	50°C±5°C×90%RH×96Hours	
7	Vibration Test	Frequency:10Hz~55Hz~10Hz Amplitude:1.5mm X,Y,Z direction for total 3hours (packing condition test will be tested by a carton)	
8	Drooping Test	Drop to the ground from 1M height one time every side of carton. (packing condition test will be tested by a carton)	
9	ESD Test	Voltage:±6KV,R:330Ω,C:150PF,Air Mode,10times	
10	Image Sticking Test	25 ± 2°C Operation with test pattern sustained for 2 hrs, then change to gray pattern immediately. After 5 mins, the mura must be disappeared completely  	

REMARK:

- The Test samples should be applied to only one test item.
- Sample side for each test item is 5~10pcs.
- For Damp Proof Test, Pure water(Resistance>10MΩ)should be used.
- In case of malfunction defect caused by ESD damage, if it would be recovered to normal state after resetting, it would be judge as a good part.
- EL evaluation should be accepted from reliability test with humidity and temperature: Some defects such as black spot/blemish can happen by natural chemical reaction with humidity and Fluorescence EL has.
- Failure Judgment Criterion: Basic Specification Electrical Characteristic, Mechanical Characteristic, Optical Characteristic.

Product Specification	Model:	AWD-480480T28N01	Rev. No.	Issued Date.	Page.
			A	2024/03/19	17 / 23

11. Inspection Standard

11.1 Scope

Specifications contain

11.1.1 Display Quality Evaluation

11.1.2 Mechanics Specification

11.2 Sampling Plan

Unless there is other agreement, the sampling plan for incoming inspection shall follow MIL-STD-105E.

11.2.1 Lot size: Quantity per shipment as one lot (different model as different lot).

11.2.2 Sampling type: Normal inspection, single sampling.

11.2.3 Sampling level: Level II.

11.2.4 AQL: Acceptable Quality Level

Major defect: AQL=0.65

Minor defect: AQL=1.5

11.3 Panel Inspection Condition

11.3.1 Environment:

Room Temperature: $25\pm 5^{\circ}\text{C}$.

Humidity: $65\pm 5\%$ RH.

Illumination: 300 ~ 700 Lux.

11.3.2 Inspection Distance:

35 ± 5 cm

11.3.3 Inspection Angle:

The vision of inspector should be perpendicular to the surface of the Module.

11.3.4 Inspection time:

Perceptibility Test Time: 20 seconds max.

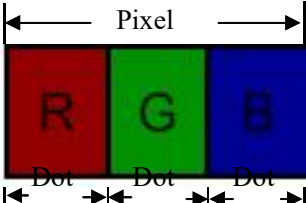
Product Specification	Model:	AWD-480480T28N01	Rev. No.	Issued Date.	Page.
			A	2024/03/19	18 / 23

11.4 Inspection Plan

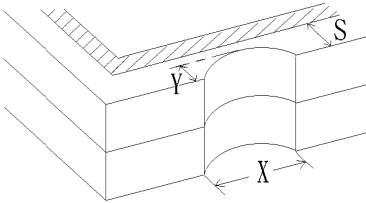
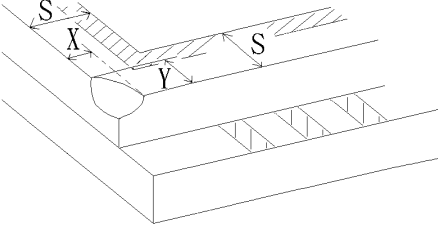
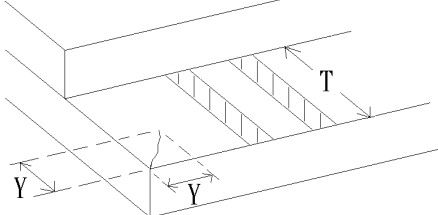
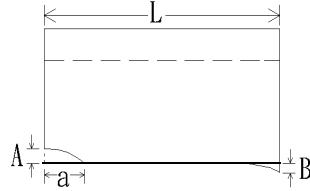
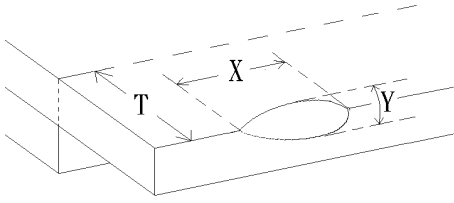
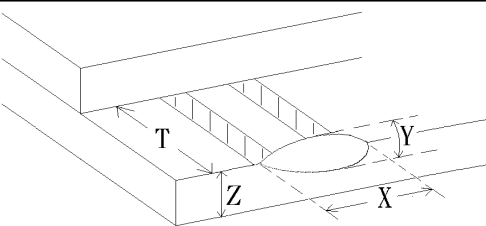
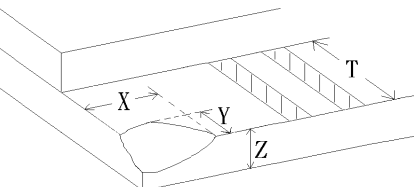
Class	Item	Judgment	Class
Packing & Indicate	1. Outside and inside package.	"MODEL NO.", "LOT NO." and "QUANTITY" should indicate on the package.	Minor
	2. Model mixed and quantity.	Other model mixed Quantity short or over	Major
	3. Product indication.	"MODEL NO." should indicate on the product.	Major
Assembly	4. Dimension, LCD glass scratch and scribe defect.	According to specification or drawing.	Major
Appearance	5. Viewing area.	Polarizer edge or LCD's sealing line is visible in the viewing area.....Rejected.	Minor
	6. Blemish, black spot, white spot in the LCD and LCD glass cracks.	According to standard of visual inspection.(inside viewing area)	Minor
	7. Blemish, black spot, white spot and scratch on the polarizer.	According to standard of visual inspection.(inside viewing area)	Minor
	8. Bubble in polarizer.	According to standard of visual inspection.(inside viewing area)	Minor
	9. LCD's rainbow color.	Strong deviation color (or newton ring) of LCD.....Rejected. Or according to limited sample.(if needed, and inside viewing area)	Minor
Electrical	10. Electrical and optical characteristics.(contrast chromaticity....etc)	According to specification or drawing.(inside viewing area)	Major
	11. Missing line.	Missing dot line character	Major
	12.Short circuit. Wrong pattern display.	No display, wrong pattern display, current consumption. Out of specification	Major
	13. Dot defect.(for color and TFT)	According to standard of visual Inspection.	Minor

Product Specification	Model:	AWD-480480T28N01	Rev. No.	Issued Date.	Page.
			A	2024/03/19	19 / 23

11.5 Standard Of Visual Inspection

No.	Class	Item	Judgment																				
11.5.1	Minor	Black and white spot. Foreign materiel. Dust. Blemish. Scratch.	<p>(A) Round type: Unit: mm</p> <table border="1"> <tr> <th>Diameter (mm.)</th> <th>Acceptable Q'ty</th> </tr> <tr> <td>$\Phi \leq 0.2$</td> <td>Disregard</td> </tr> <tr> <td>$0.2 < \Phi \leq 0.25$</td> <td>3(Distance>5mm)</td> </tr> <tr> <td>$0.25 < \Phi$</td> <td>0</td> </tr> </table> <p>Note: $\Phi = (\text{length} + \text{width}) / 2$</p> <p>(B) Linear type: Unit: mm</p> <table border="1"> <tr> <th>Length</th> <th>Width (mm.)</th> <th>Acceptable Q'ty</th> </tr> <tr> <td>--</td> <td>$W \leq 0.03$</td> <td>Disregard</td> </tr> <tr> <td>$L \leq 5.0$</td> <td>$0.03 < W \leq 0.07$</td> <td>2(Distance>5mm)</td> </tr> <tr> <td>--</td> <td>$0.07 < W$</td> <td>FOLLOW ROUND TYPE</td> </tr> </table>	Diameter (mm.)	Acceptable Q'ty	$\Phi \leq 0.2$	Disregard	$0.2 < \Phi \leq 0.25$	3(Distance>5mm)	$0.25 < \Phi$	0	Length	Width (mm.)	Acceptable Q'ty	--	$W \leq 0.03$	Disregard	$L \leq 5.0$	$0.03 < W \leq 0.07$	2(Distance>5mm)	--	$0.07 < W$	FOLLOW ROUND TYPE
Diameter (mm.)	Acceptable Q'ty																						
$\Phi \leq 0.2$	Disregard																						
$0.2 < \Phi \leq 0.25$	3(Distance>5mm)																						
$0.25 < \Phi$	0																						
Length	Width (mm.)	Acceptable Q'ty																					
--	$W \leq 0.03$	Disregard																					
$L \leq 5.0$	$0.03 < W \leq 0.07$	2(Distance>5mm)																					
--	$0.07 < W$	FOLLOW ROUND TYPE																					
11.5.2	Minor	Dent on polarizer.	<p style="text-align: right;">Unit: mm.</p> <table border="1"> <tr> <th>Diameter</th> <th>Acceptable Q'ty</th> </tr> <tr> <td>$\Phi \leq 0.2$</td> <td>Disregard</td> </tr> <tr> <td>$0.2 < \Phi \leq 0.5$</td> <td>2(Distance>5mm)</td> </tr> <tr> <td>$0.5 < \Phi$</td> <td>0</td> </tr> </table>	Diameter	Acceptable Q'ty	$\Phi \leq 0.2$	Disregard	$0.2 < \Phi \leq 0.5$	2(Distance>5mm)	$0.5 < \Phi$	0												
Diameter	Acceptable Q'ty																						
$\Phi \leq 0.2$	Disregard																						
$0.2 < \Phi \leq 0.5$	2(Distance>5mm)																						
$0.5 < \Phi$	0																						
11.5.3	Minor	Bubble in polarizer.	<p style="text-align: right;">Unit: mm.</p> <table border="1"> <tr> <th>Diameter</th> <th>Acceptable Q'ty</th> </tr> <tr> <td>$\Phi \leq 0.2$</td> <td>Disregard</td> </tr> <tr> <td>$0.2 < \Phi \leq 0.5$</td> <td>2(Distance>5mm)</td> </tr> <tr> <td>$0.5 < \Phi$</td> <td>0</td> </tr> </table>	Diameter	Acceptable Q'ty	$\Phi \leq 0.2$	Disregard	$0.2 < \Phi \leq 0.5$	2(Distance>5mm)	$0.5 < \Phi$	0												
Diameter	Acceptable Q'ty																						
$\Phi \leq 0.2$	Disregard																						
$0.2 < \Phi \leq 0.5$	2(Distance>5mm)																						
$0.5 < \Phi$	0																						
11.5.4	Minor	Dot defect	<table border="1"> <tr> <th>Items</th> <th>Acceptable Q'ty</th> </tr> <tr> <td>Bright dot</td> <td>$N \leq 2(\text{Distance} > 5\text{mm})$</td> </tr> <tr> <td>Dark dot</td> <td>$N \leq 2(\text{Distance} > 5\text{mm})$</td> </tr> <tr> <td>Total dot</td> <td>$N \leq 4$</td> </tr> </table> <p>Pixel define :</p>  <p>Note1: The definition of dot: The size of a defective dot over 1/2 of whole dot is regarded as one defective dot. Note 2: Bright dot: Dots appear bright and unchanged in size in which LCD panel is displaying under black pattern. Note 3: The bright dot defect must be visible through 2% ND filter Note 4: Dark dot: Dots appear dark and unchanged in size in which LCD panel is displaying under pure red, green, blue pattern.</p>	Items	Acceptable Q'ty	Bright dot	$N \leq 2(\text{Distance} > 5\text{mm})$	Dark dot	$N \leq 2(\text{Distance} > 5\text{mm})$	Total dot	$N \leq 4$												
Items	Acceptable Q'ty																						
Bright dot	$N \leq 2(\text{Distance} > 5\text{mm})$																						
Dark dot	$N \leq 2(\text{Distance} > 5\text{mm})$																						
Total dot	$N \leq 4$																						
11.5.5	Minor	Mura	ND 5% (In 50% gray screen)																				

Product Specification	Model:	AWD-480480T28N01	Rev. No.	Issued Date.	Page.
			A	2024/03/19	20 / 23

No.	Class	Item	Judgment
11.5.6	Minor	LCD glass chipping.	 $Y > S$ Reject
11.5.7	Minor	LCD glass chipping.	 $X \text{ or } Y > S$ Reject
11.5.8	Major	LCD glass crack.	 $Y > (1/2) T$ Reject
11.5.9	Major	LCD glass scribe defect.	 <ol style="list-style-type: none"> $a > L/3, A > 1.5\text{mm}$ Reject B : According to dimension
11.5.10	Minor	LCD glass chipping. (on the terminal area)	 $\Phi = (x+y)/2 > 2.5\text{mm}$ Reject
11.5.11	Minor	LCD glass chipping. (on the terminal surface)	 $Y > (1/3)T$ Reject
11.5.12	Minor	LCD glass chipping.	 $Y > T$ Reject

Product Specification	Model:	AWD-480480T28N01	Rev. No.	Issued Date.	Page.
			A	2024/03/19	21 / 23

12. Handling Precautions

12.1 Mounting Method

The LCD panel of MTUSATFT module consists of two thin glass plates with polarizes which easily be damaged. And since the module in so constructed as to be fixed by utilizing fitting holes in the printed circuit board.

Extreme care should be needed when handling the LCD modules.

12.2 Caution of LCD Handling And Cleaning

When cleaning the display surface, Use soft cloth with solvent

[Recommended below] and wipe lightly

- Isopropyl alcohol
- Ethyl alcohol

Do not wipe the display surface with dry or hard materials that will damage the polarizer surface.

Do not use the following solvent:

- Water
- Aromatics

Do not wipe ITO pad area with the dry or hard materials that will damage the ITO patterns

Do not use the following solvent on the pad or prevent it from being contaminated:

- Soldering flux
- Chlorine (Cl) , Sulfur (S)

If goods were sent without being silicon coated on the pad, ITO patterns could be damaged due to the corrosion as time goes on.

If ITO corrosion happen by miss-handling or using some materials such as Chlorine (Cl), Sulfur (S) from customer, Responsibility is on customer.

12.3 Caution Against Static Charge

The LCD module use C-MOS LSI drivers, so we recommended that you:

Connect any unused input terminal to power or ground, do not input any signals before power is turned on, and ground your body, work/assembly areas, and assembly equipment to protect against static electricity.

12.4 Packing

- Module employs LCD elements and must be treated as such.
- Avoid intense shock and falls from a height.
- To prevent modules from degradation, do not operate or store them exposed direct to sunshine or high temperature/humidity

12.5 Caution for operation

It is an indispensable condition to drive LCD's within the specified voltage limit since the higher

<i>Product Specification</i>	<i>Model:</i>	<i>AWD-480480T28N01</i>	<i>Rev. No.</i>	<i>Issued Date.</i>	<i>Page.</i>
			A	2024/03/19	22 / 23

- voltage then the limit cause the shorter LCD life.
- An electrochemical reaction due to direct current causes LCD's undesirable deterioration, so that the use of direct current drive should be avoided.
- Response time will be extremely delayed at lower temperature then the operating temperature range and on the other hand at higher temperature LCD's how dark color in them. However those phenomena do not mean malfunction or out of order with LCD's, which will come back in the specified operation temperature.
- If the display area is pushed hard during operation, some font will be abnormally displayed but it resumes normal condition after turning off once.
- Slight dew depositing on terminals is a cause for electro-chemical reaction resulting in terminal open circuit. Usage under the maximum operating temperature, 50%Rh or less is required.

12.6 Storing

In the case of storing for a long period of time for instance, for years for the purpose or replacement use, the following ways are recommended.

- Storage in a polyethylene bag with the opening sealed so as not to enter fresh air outside in it. And with no desiccant.
- Placing in a dark place where neither exposure to direct sunlight nor light's keeping the storage temperature range.
- Storing with no touch on polarizer surface by the anything else.

[It is recommended to store them as they have been contained in the inner container at the time of delivery from us

12.7 Safety

- It is recommendable to crash damaged or unnecessary LCD's into pieces and wash off liquid crystal by either of solvents such as acetone and ethanol, which should be burned up later.
- When any liquid leaked out of a damaged glass cell comes in contact with your hands, please wash it off well with soap and water

<i>Product Specification</i>	<i>Model:</i>	<i>AWD-480480T28N01</i>	<i>Rev. No.</i>	<i>Issued Date.</i>	<i>Page.</i>
			A	2024/03/19	23 / 23

13. Precaution for Use

13.1

A limit sample should be provided by the both parties on an occasion when the both parties agreed its necessity. Judgment by a limit sample shall take effect after the limit sample has been established and confirmed by the both parties.

13.2

On the following occasions, the handing of problem should be decided through discussion and agreement between responsible of the both parties.

- When a question is arisen in this specification
- When a new problem is arisen which is not specified in this specifications
- When an inspection specifications change or operating condition change in customer is reported to ACROWISE TFT , and some problem is arisen in this specification due to the change
- When a new problem is arisen at the customer's operating set for sample evaluation in the customer site.

MICROTIPS TECHNOLOGY USA

3504 Lake Lynda Dr, Suite 110, Orlando, Florida, 32817, TEL: 407-273-0204, FAX: 407-273-0771

X-ON Electronics

Largest Supplier of Electrical and Electronic Components

Click to view similar products for [TFT Displays & Accessories](#) category:

Click to view products by [Microtips](#) manufacturer:

Other Similar products are found below :

[OAI-80038AA-2013-A](#) [HDA430T-3G1H](#) [NB-ATT01](#) [NL8060BC26-35C](#) [TCG104SVLQAPNN-AN20](#) [OAI-80038AA-2008-A](#) [315-U004B15300](#) [EIC-LCD-1080P](#) [NL10276BC20-18C](#) [DEM 128160D](#) [TMH-PW-N](#) [RFE43BU-AIW-DNG](#) [EA WF050-40S](#) [EA WF050-40ST](#) [RFC350X-AWW-DNG](#) [RFS390E-AWW-DNN](#) [DEM 480272G2](#) [VMX-PW-N \(A-TOUCH\)](#) [PH800480T013-ICA](#) [DEM 1024600N](#) [VMX-PW-N \(C-TOUCH\)](#) [DEM 1024600P](#) [VMH-PW-N \(C-TOUCH\)](#) [SM-RVT50HQHNWCA0](#) [DEM 240280A](#) [VMH-PW-N](#) [DEM 170320A](#) [VMH-PW-N](#) [PH240320T068-LAB08](#) [DEM 800480T1](#) [TMH-PW-N](#) [PH128128T041-LAA07](#) [PH480272T005-IAC02](#) [DEM 1024600P](#) [VMH-PW-N \(A-TOUCH\)](#) [DEM 800480T1](#) [TMH-PW-N \(C-TOUCH\)](#) [DEM 800480Q4](#) [VMX-PW-N](#) [DEM 800480T1](#) [TMH-PW-N \(A-TOUCH\)](#) [PH320240T-023-I02Q](#) [PH128800T004-ZZA01](#) [RFE430W-1YW-DBS](#) [DEM 1024600N](#) [VMX-PW-N \(A-TOUCH\)](#) [PH240320T074-ZAA01](#) [DEM 480480D](#) [VMX-PW-N \(C-TOUCH\)](#) [SM-RVT50HQSNWN00](#) [SM-RVT50HQHNWC00](#) [PH800480T033-ICB01](#) [RFE430W-AWW-DNN](#) [DEM 096096A](#) [VMH-PW-N](#) [RL0F00050000FGAAASA01](#) [PH320480T009-LAA01](#) [SM-RVT50HQSNWCA0](#) [SM-RVT50HQSNWC00-B](#) [PH320240T028-ZEA01](#) [RFE430W-1YW-DBN](#) [SM-RVT50HQHNWC00-B](#) [DEM 120240A](#) [VMH-PW-N](#) [DEM 268800A](#) [VMH-PW-N](#)