





| | | | | | |
|-----------------------|-------|--------------------|----------|----------------|--------|
| Messrs. | | | | | |
| Product Specification | Model | NMTC-S0802XRYHS-13 | Rev. No. | Issued Date. | Page. |
| | | | A | August. 16, 17 | 1 / 29 |

LIQUID CRYSTAL DISPLAY MODULE
MODEL: NMTC-S0802XRYHS-13
Customer's No.: None.

| |
|------------|
| Acceptance |
| |

Microtips Technology Inc.
12F. No.31 Lane 169, Kang Ning St.,
His-Chih, Taipei Hsien, Taiwan, R.O.C.
FAX: 886-2-26958625

| |
|-------------------------|
| Approved and Checked by |
| |

| Approved by | Checked by | | Made by |
|---|---|--|---|
|  |  |  |  |



Microtips Technology Inc.

| | | | | | |
|-----------------------|-------|--------------------|----------|-----------------------|---------------|
| Messrs. | | | | | |
| Product Specification | Model | NMTC-S0802XRYHS-13 | Rev. No. | Issued Date. | Page. |
| | | | <i>A</i> | <i>August. 16, 17</i> | <i>2 / 29</i> |

Revise Records

| Rev. | Date | Contents | Written | Approved |
|------|------------|-------------|----------|------------|
| A. | 2017/08/16 | See Note 1. | Jill Hsu | Danny Lien |
| | | | | |
| | | | | |
| | | | | |
| | | | | |
| | | | | |
| | | | | |
| | | | | |
| | | | | |
| | | | | |

Special Notes

| | |
|---------|--|
| Note 1. | The LCD module is compliant with RoHS. |
| Note 2. | |
| Note 3. | |
| Note 4. | |
| Note 5. | |
| | |
| | |
| | |
| | |
| | |
| | |
| | |
| | |
| | |
| | |



| | | | | | |
|-----------------------|-------|--------------------|----------|-----------------------|---------------|
| Messrs. | | | | | |
| Product Specification | Model | NMTC-S0802XRYHS-13 | Rev. No. | Issued Date. | Page. |
| | | | <i>A</i> | <i>August. 16, 17</i> | <i>3 / 29</i> |

CONTENTS

| ITEM | PAGE |
|----------------------------|------|
| FEATURES | 5. |
| GENERAL SPECIFICATION | 6. |
| ABSOLUTE MAXIMUM RATING | 6. |
| ELECTRICAL CHARACTERISTICS | 7. |
| OPTICAL CHARACTERISTICS | 7. |
| MECHANICAL SPECIFICATION | 8. |
| INTERFACE PIN ASSIGNMENT | 9. |
| BLOCK DIAGRAM | 12. |
| POWER SUPPLY DIAGRAM | 12. |
| TIMING CHARACTERISTICS | 13. |
| READ / WRITE TIMING CHART | 14. |
| COMMANDS | 15. |
| COMMANDS DESCRIPTION | 16. |
| DD RAM ADDRESSING | 20. |
| CG RAM MAPPING | 22. |



| | | | | | |
|-----------------------|-------|--------------------|----------|-----------------------|---------------|
| Messrs. | | | | | |
| Product Specification | Model | NMTC-S0802XRYHS-13 | Rev. No. | Issued Date. | Page. |
| | | | <i>A</i> | <i>August. 16, 17</i> | <i>4 / 29</i> |

| ITEM | PAGE |
|------------------------------|------|
| CHARACTER FONT TABLE | 23. |
| RELIABILITY TEST | 24. |
| APPEARANCE CHECK | 24. |
| HANDLING PRECAUTIONS | 25. |
| LCD PRODUCT QUALITY STANDARD | 26. |
| WARRANTY | 28. |
| DIMENSIONAL OUTLINES | 29. |



| | | | | | |
|-----------------------|-------|--------------------|----------|----------------|--------|
| Messrs. | | | | | |
| Product Specification | Model | NMTC-S0802XRYHS-13 | Rev. No. | Issued Date. | Page. |
| | | | A | August. 16, 17 | 5 / 29 |

FEATURES of
LIQUID CRYSTAL DISPLAY MODULE
MODEL NO.: NMTC-S0802XRYHS-13

Character Type Dot Matrix LCD Module

Easy interface of 4 – bit or 8 – bit

Display character pattern: 5 × 7 font with cursor (208 kinds)

The special character pattern can be programmable by Character Generator RAM directly.

A customer character pattern can be programmable by mask option.

Automatically power on reset.

Internal Memory:

- Character Generator ROM (CGROM): 10,080 bits (204 characters × 5 × 8 dot)
- Character Generator RAM (CGRAM): 64 × 8 bits (8 characters × 5 × 8 dot)

Low power operation:

- Power supply voltage range: 2.7 ~ 5.5 V (V_{DD})
- LCD drive voltage range: 3.0 ~ 13.0 V (V_{DD} – V_O)

Low power consumption

CMOS process

Duty – cycle: 1/16

| | | | | | |
|-------------------|--|--|--|---------------------------------------|---------------------------------------|
| View Direction | <input checked="" type="checkbox"/> 6 O'clock | | <input type="checkbox"/> 12 O'clock | | |
| LCD Type | <input type="checkbox"/> FSTN Positive | | <input type="checkbox"/> FSTN Negative | | |
| | <input type="checkbox"/> STN Gray | <input checked="" type="checkbox"/> STN Yellow Green | | <input type="checkbox"/> STN Blue | |
| Rear Polarizer | <input checked="" type="checkbox"/> Reflective | | <input type="checkbox"/> Transflective | | <input type="checkbox"/> Transmissive |
| Backlight Type | <input type="checkbox"/> LED | <input type="checkbox"/> EL | <input type="checkbox"/> Internal Power | | <input type="checkbox"/> 5V input |
| | | <input type="checkbox"/> CCFL | <input type="checkbox"/> External Power | | <input type="checkbox"/> 12V input |
| Backlight Color | <input type="checkbox"/> White | <input type="checkbox"/> Amber | <input type="checkbox"/> Blue Green | <input type="checkbox"/> Yellow Green | <input type="checkbox"/> Other |
| Temperature Range | <input type="checkbox"/> Normal | | <input checked="" type="checkbox"/> Wide | | <input type="checkbox"/> Super Wide |
| CCFL Inverter | <input type="checkbox"/> Build – in | | <input checked="" type="checkbox"/> Not Build – in | | |
| EL Driver IC | <input type="checkbox"/> Build – in | | <input checked="" type="checkbox"/> Not Build – in | | |
| Touch Screen | <input type="checkbox"/> With | | <input checked="" type="checkbox"/> Without | | |

TO BE VERY CAREFUL !

The LCD driver ICs are made of CMOS process, which is very easy to be damaged by static charge, make sure the user is grounded when handling the LCM.



| | | | | | |
|-----------------------|-------|--------------------|----------|----------------|--------|
| Messrs. | | | | | |
| Product Specification | Model | NMTC-S0802XRYHS-13 | Rev. No. | Issued Date. | Page. |
| | | | A | August. 16, 17 | 6 / 29 |

GENERAL SPECIFICATION

| Item | Content |
|--------------------------|------------------------------------|
| Display Resolution | 8 Characters × 2 lines |
| Dimensional Outline (mm) | 58.0 (W) × 32.0 (H) × 18.0 max (D) |
| Display mode | Reflective / Positive Type |
| Circuit | Controller IC, Segment – driver IC |
| Interface | Data (DB0~DB7), RS, R/W, E |

ABSOLUTE MAXIMUM RATING

(1) Electrical Absolute Ratings

| Item | Symbol | Min. | Max. | Unit | Note |
|------------------------------------|-------------------|------|----------------|------|------|
| Power Supply for Logic | $V_{DD} - V_{SS}$ | -0.3 | 7.0 | Volt | -- |
| Power Supply for LCD | $V_{DD} - V_O$ | 0 | 15.0 | Volt | -- |
| Input Voltage | V_{IN} | -0.3 | $V_{DD} + 0.3$ | Volt | -- |
| Supplier current for LED backlight | I_{LED} | -- | 140 | mA | -- |

Note: Operator should be grounded during handling LCM.

(2) Environmental Absolute Maximum Ratings

| Item | Normal Temperature | | | | Wide Temperature | | | |
|---------------------------------|--------------------|-------|-----------|-------|------------------|-------|-----------|-------|
| | Operating | | Storage | | Operating | | Storage | |
| | Max. | Min. | Max. | Min. | Max. | Min. | Max. | Min. |
| Ambient Temperature | 0°C | +50°C | -20°C | +70°C | -20°C | +70°C | -30°C | +80°C |
| Humidity (without condensation) | Note 2, 4 | | Note 3, 5 | | Note 4, 5 | | Note 4, 6 | |

Note 2: $T_a \leq 50^\circ\text{C}$: 80% RH max

$T_a > 50^\circ\text{C}$: Absolute humidity must be lower than the humidity of 85% RH at 50°C

Note 3: T_a at -20°C will be < 48hrs at 70°C will be < 120hrs

Note 4: Background color changes slightly depending on ambient temperature. This phenomenon is reversible.

Note 5: $T_a \leq 70^\circ\text{C}$: 75RH max

$T_a > 70^\circ\text{C}$: absolute humidity must be lower than the humidity of 75% RH at 70°C

Note 6: T_a at -30°C will be < 48hrs, at 80°C will be < 120hrs



| | | | | | |
|-----------------------|-------|--------------------|----------|----------------|--------|
| Messrs. | | | | | |
| Product Specification | Model | NMTC-S0802XRYHS-13 | Rev. No. | Issued Date. | Page. |
| | | | A | August. 16, 17 | 7 / 29 |

ELECTRICAL CHARACTERISTICS

| Item | Symbol | Condition | Min. | Typ. | Max. | Unit |
|--|-------------------------|--|--------------|--------------|------|------|
| Power Supply for Logic | $V_{DD} - V_{SS}$ | -- | 2.7 | 4.5 | 5.5 | Volt |
| Input Voltage | V_{IL} | L level | V_{SS} | $0.2 V_{DD}$ | -- | Volt |
| | V_{IH} | H level | $0.8 V_{DD}$ | V_{DD} | -- | Volt |
| LCM Recommend LCD Module Driving Voltage | $V_{DD} - V_o = 4.4$ | $T_a = 0^\circ C$ | 4.4 | 4.56 | 4.7 | Volt |
| | | $T_a = 25^\circ C$ | 4.2 | 4.40 | 4.6 | |
| | | $T_a = 50^\circ C$ | 3.9 | 4.02 | 4.2 | |
| Power Supply Current for LCM | I_{DD}^* (B/L OFF) | $V_{DD} = 4.5V$ $V_{DD} - V_o = 4.4V$ $V_{LED} = 4.2V$ $T_a = 25^\circ C$ | -- | 1.5 | 2.0 | mA |
| | I_{LED} | | -- | 70 | 105 | |

* I_{DD} including current for logic circuit and LCD panel

OPTICAL CHARACTERISTICS

| Item | Symbol | Condition | Min. | Typ | Max. | Unit | note |
|---------------------|-----------------------|---|------|-----|------|--------|-------|
| Viewing Angle Range | Φ_f (12 o'clock) | When $Cr \geq 2$ | -- | 40 | -- | Degree | 9, 10 |
| | Φ_b (6 o'clock) | | -- | 45 | -- | | |
| | Φ_l (9 o'clock) | | -- | 40 | -- | | |
| | Φ_r (3 o'clock) | | -- | 40 | -- | | |
| Rise Time | T_r | $V_{DD} - V_o = 4.4V$ $T_a = 25^\circ C$ | -- | 70 | 90 | mS | -- |
| Fall Time | T_f | | -- | 150 | 200 | | |
| Contrast | Cr | | -- | 7.3 | -- | | |



| | | | | | |
|-----------------------|-------|--------------------|----------|----------------|--------|
| Messrs. | | | | | |
| Product Specification | Model | NMTC-S0802XRYHS-13 | Rev. No. | Issued Date. | Page. |
| | | | A | August. 16, 17 | 8 / 29 |

MECHANICAL SPECIFICATION

| | | |
|----------------------|----------------|---|
| Product No. | | NMTC-S0802XRYHS-13 |
| Module Size | | 58.0 (W) mm × 32.0 (H) mm × 18.0 (D) mm Max |
| Display Format | | 8 characters × 2 lines |
| Character Size | | 2.96 mm × 5.56 mm |
| Character Pitch | | 3.55 mm × 5.94 mm |
| Dot Size | | 0.56 (W) mm × 0.66 (H) mm |
| Dot Pitch | | 0.60 (W) mm × 0.70 (H) mm |
| Duty Ratio | | 1/16 Duty |
| Character Font Table | | <input checked="" type="checkbox"/> English <input type="checkbox"/> European <input type="checkbox"/> Other_____ |
| LCD Display Mode | STN | <input type="checkbox"/> Gray Mode <input checked="" type="checkbox"/> Yellow Mode <input type="checkbox"/> Blue Mode |
| | FSTN | <input type="checkbox"/> Black & White (Normally White / Positive Image) |
| | | <input type="checkbox"/> Black & White (Normally White / Negative Image) |
| | Rear Polarizer | <input checked="" type="checkbox"/> Reflective <input type="checkbox"/> Transflective <input type="checkbox"/> Transmissive |
| Viewing Direction | | <input checked="" type="checkbox"/> 6 O'clock <input type="checkbox"/> 12 O'clock <input type="checkbox"/> 3 O'clock <input type="checkbox"/> 9 O'clock |
| Backlight | | <input checked="" type="checkbox"/> Without <input type="checkbox"/> CCFL <input type="checkbox"/> EL <input type="checkbox"/> LED |
| Controller | | ST 7066 |
| DC/DC Converter | | Without |
| CCFL Inverter | | Without |
| EL Driver | | Without |

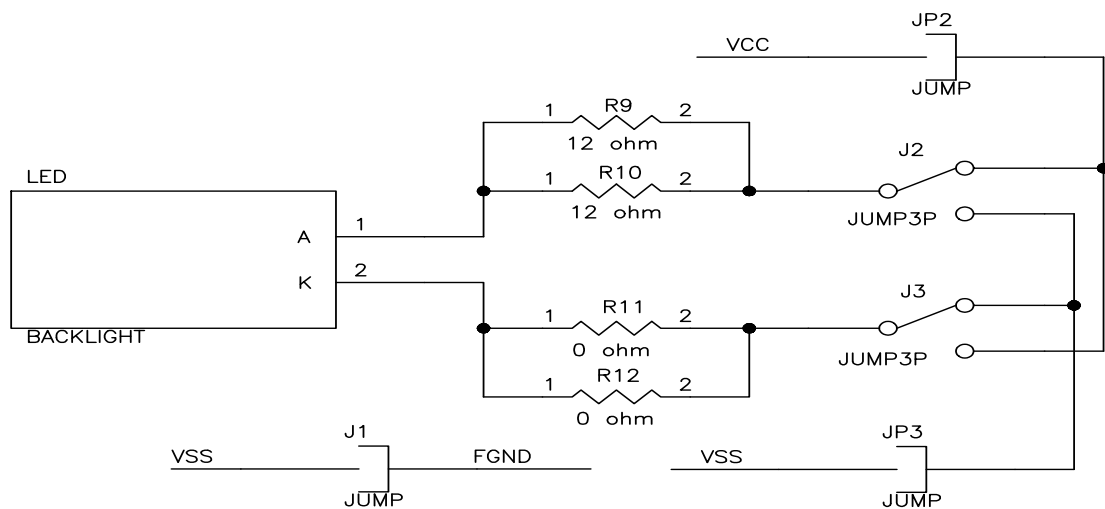


| | | | | | |
|-----------------------|-------|--------------------|----------|----------------|--------|
| Messrs. | | | | | |
| Product Specification | Model | NMTC-S0802XRYHS-13 | Rev. No. | Issued Date. | Page. |
| | | | A | August. 16, 17 | 9 / 29 |

INTERFACE PIN ASSIGNMENT

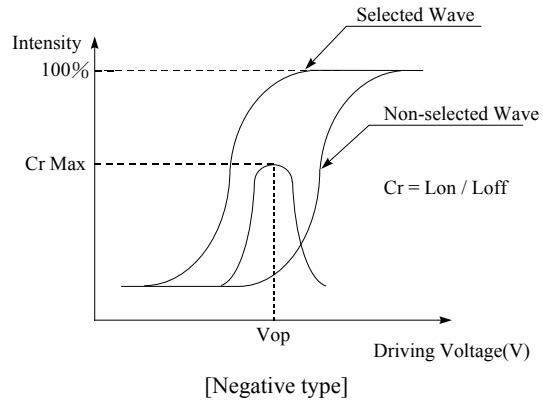
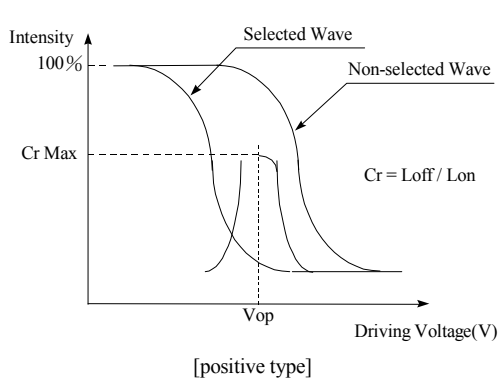
| PIN NO. | PIN OUT | DESCRIPTION |
|---------|-----------------|------------------------------------|
| 1. | V _{SS} | Ground |
| 2. | V _{DD} | Logic Circuit Power Supply |
| 3. | V _O | Power Supply For LCD Panel |
| 4. | RS | Data / Instruction Register Select |
| 5. | R/W | Read / Write Select |
| 6. | E | Enable Signal |
| 7. | DB0 | 3 – State I/O Data Bus |
| 8. | DB1 | |
| 9. | DB2 | |
| 10. | DB3 | |
| 11. | DB4 | |
| 12. | DB5 | |
| 13. | DB6 | |
| 14. | DB7 | |

Schematic and Jumper Explanation for LED backlight:

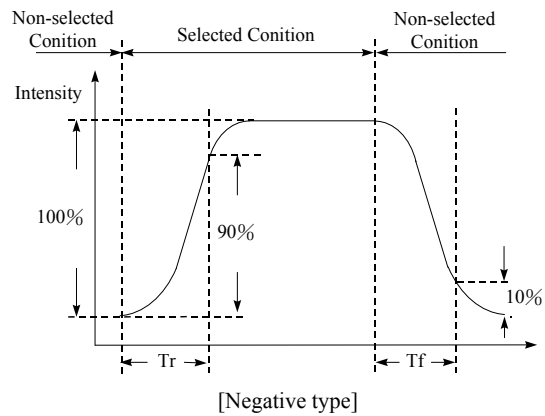
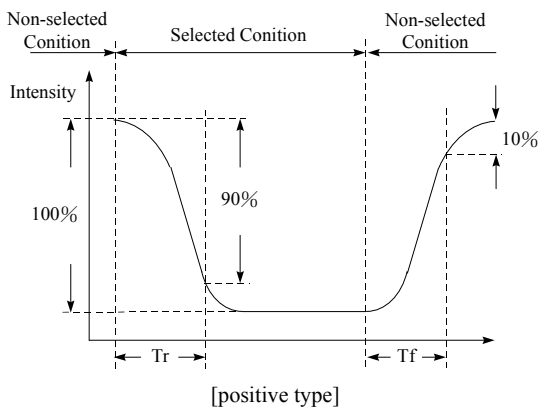


| | | | | |
|-----------------------|-------|--------------------|----------|----------------|
| Messrs. | | | | |
| Product Specification | Model | NMTC-S0802XRYHS-13 | Rev. No. | Issued Date. |
| | | | A | August. 16, 17 |
| | | | Page. | 10 / 29 |

[Note 7] Definition of Operation Voltage (Vop)



[Note 8] Definition of Response Time (Tr, Tf)

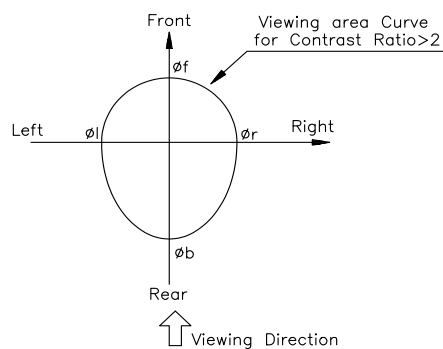


Conditions:

Operating Voltage: Vop
Frame Frequency: 64 Hz

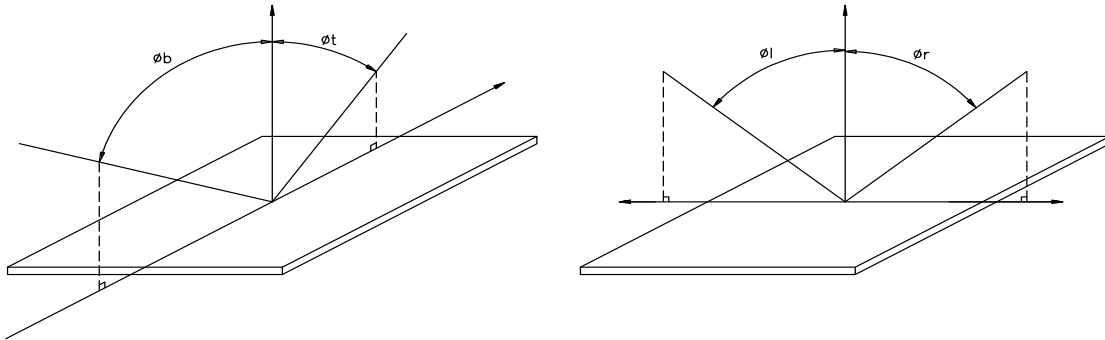
Viewing Angle (θ, φ): 0°, 0°
Driving Wave form: 1/N duty, 1/a bias

[Note 9] Definition of Viewing Direction

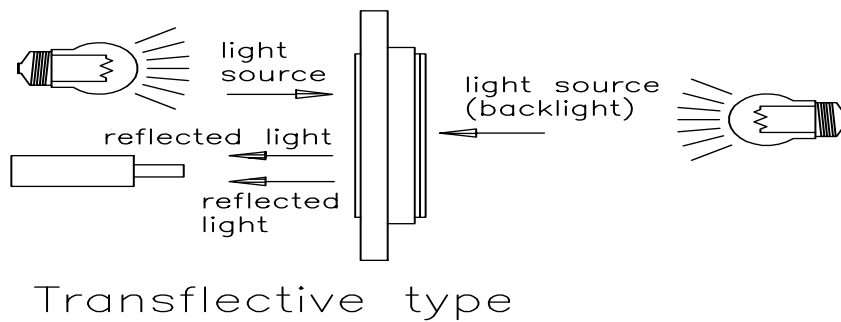
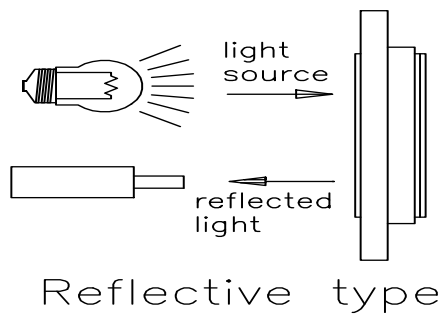


| | | | | | |
|-----------------------|-------|--------------------|----------|----------------|---------|
| Messrs. | | | | | |
| Product Specification | Model | NMTC-S0802XRYHS-13 | Rev. No. | Issued Date. | Page. |
| | | | A | August. 16, 17 | 11 / 29 |

[Note 10] Definition of viewing angle

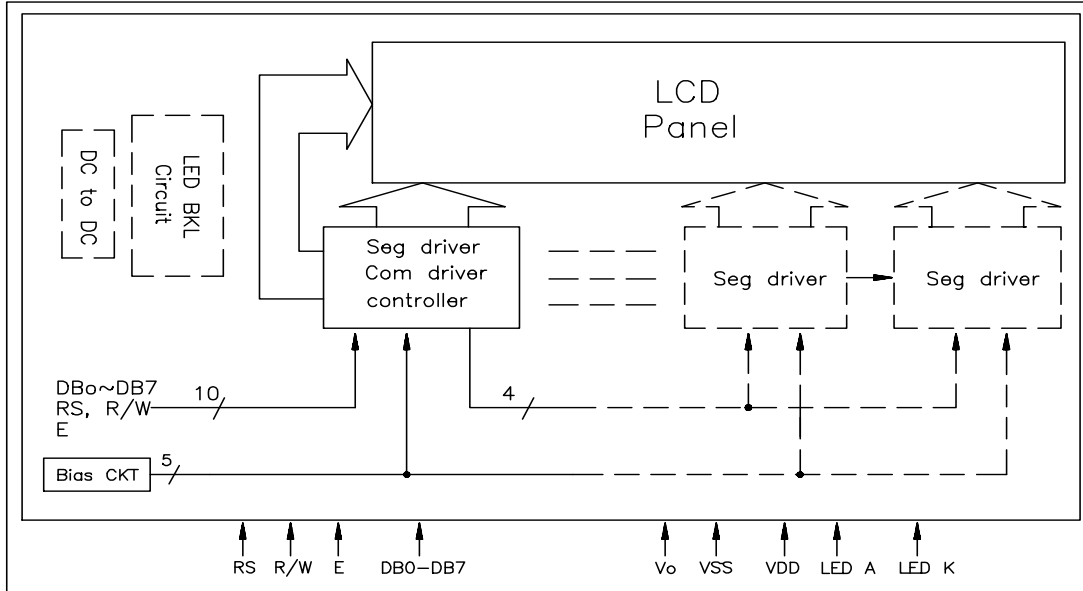


[Note 11] Description of Measuring Equipment

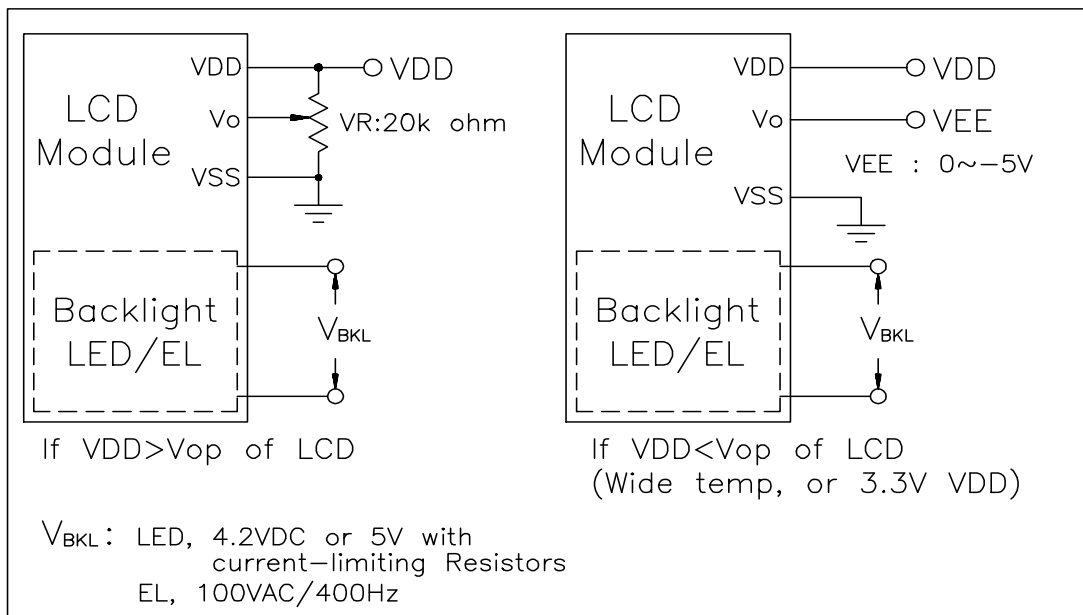


| | | | | | |
|-----------------------|-------|--------------------|----------|----------------|---------|
| Messrs. | | | | | |
| Product Specification | Model | NMTC-S0802XRYHS-13 | Rev. No. | Issued Date. | Page. |
| | | | A | August. 16, 17 | 12 / 29 |

BLOCK DIAGRAM



POWER SUPPLY



| | | | | | |
|-----------------------|-------|--------------------|----------|----------------|---------|
| Messrs. | | | | | |
| Product Specification | Model | NMTC-S0802XRYHS-13 | Rev. No. | Issued Date. | Page. |
| | | | A | August. 16, 17 | 13 / 29 |

TIMING CHARACTERISTICS

AC Characteristics ($V_{SS} = 0V$, $V_{DD} = 4.5V$ to $5.0V$, $T_a = 0$ to $50^{\circ}C$)

| Mode | Characteristic | Symbol | Min. | Typ. | Max. | Unit |
|------------|---------------------------|------------|------|------|------|------|
| Write Mode | E Cycle Time | t_C | 500 | -- | -- | ns |
| | E Rise / Fall Time | t_R, t_F | -- | -- | 20 | ns |
| | E Pulse Width (High, Low) | t_W | 230 | -- | -- | ns |
| | R/W And RS Setup Time | t_{SU1} | 40 | -- | -- | ns |
| | R/W And RS Hold Time | t_{H1} | 10 | -- | -- | ns |
| | Data Setup Time | t_{SU2} | 80 | -- | -- | ns |
| | Data Hold Time | t_{H2} | 10 | -- | -- | ns |
| Read Mode | E Cycle Time | t_C | 500 | -- | -- | ns |
| | E Rise / Fall Time | t_R, t_F | -- | -- | 20 | ns |
| | E Pulse Width (High, Low) | t_W | 230 | -- | -- | ns |
| | R/W And RS Setup Time | t_{SU} | 40 | -- | -- | ns |
| | R/W And RS Hold Time | t_H | 10 | -- | -- | ns |
| | Data Setup Time | t_D | -- | -- | 120 | ns |
| | Data Hold Time | t_{DH} | 5 | -- | -- | ns |

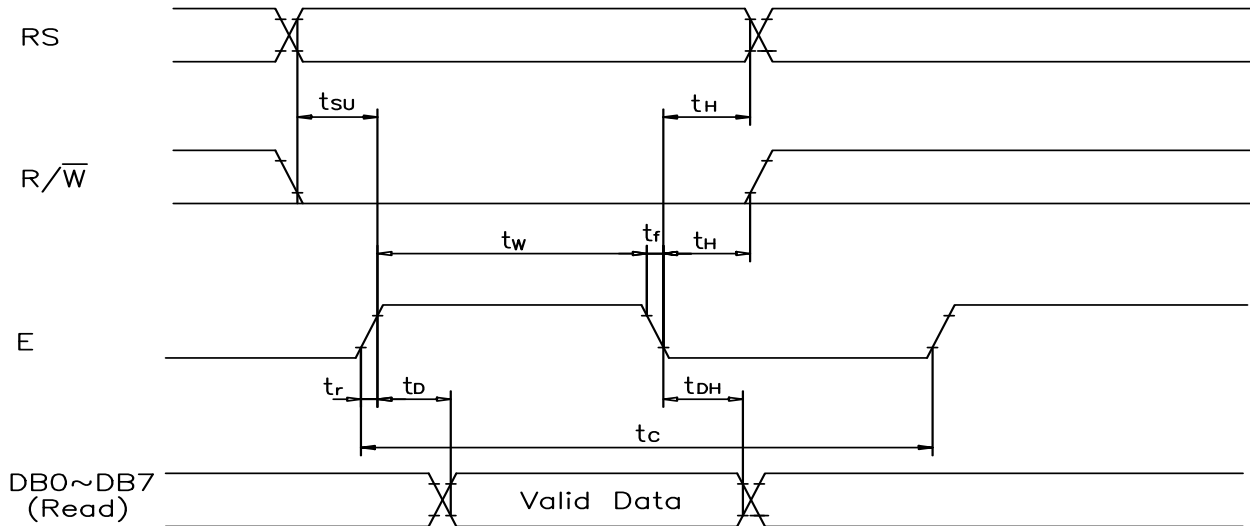
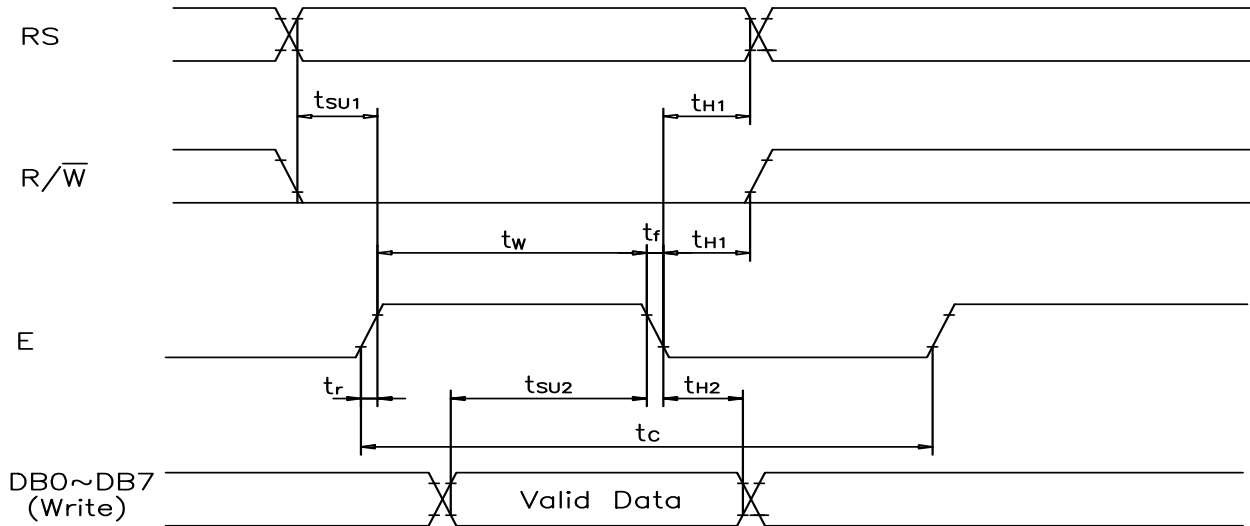
AC Characteristics ($V_{SS} = 0V$, $V_{DD} = 2.7V$ to $4.5V$, $T_a = 0$ to $50^{\circ}C$)

| Mode | Characteristic | Symbol | Min. | Typ. | Max. | Unit |
|------------|---------------------------|------------|------|------|------|------|
| Write Mode | E Cycle Time | t_C | 1000 | -- | -- | ns |
| | E Rise / Fall Time | t_R, t_F | -- | -- | 25 | ns |
| | E Pulse Width (High, Low) | t_W | 450 | -- | -- | ns |
| | R/W And RS Setup Time | t_{SU1} | 60 | -- | -- | ns |
| | R/W And RS Hold Time | t_{H1} | 20 | -- | -- | ns |
| | Data Setup Time | t_{SU2} | 195 | -- | -- | ns |
| | Data Hold Time | t_{H2} | 10 | -- | -- | ns |
| Read Mode | E Cycle Time | t_C | 1000 | -- | -- | ns |
| | E Rise / Fall Time | t_R, t_F | -- | -- | 25 | ns |
| | E Pulse Width (High, Low) | t_W | 450 | -- | -- | ns |
| | R/W And RS Setup Time | t_{SU} | 60 | -- | -- | ns |
| | R/W And RS Hold Time | t_H | 20 | -- | -- | ns |
| | Data Setup Time | t_D | -- | -- | 360 | ns |
| | Data Hold Time | t_{DH} | 5 | -- | -- | ns |



| | | | | | |
|-----------------------|-------|--------------------|----------|----------------|---------|
| Messrs. | | | | | |
| Product Specification | Model | NMTC-S0802XRYHS-13 | Rev. No. | Issued Date. | Page. |
| | | | A | August. 16, 17 | 14 / 29 |

READ / WRITE TIMING CHART



| | | | | | |
|-----------------------|-------|--------------------|----------|----------------|---------|
| Messrs. | | | | | |
| Product Specification | Model | NMTC-S0802XRYHS-13 | Rev. No. | Issued Date. | Page. |
| | | | A | August. 16, 17 | 15 / 29 |

COMMANDS

| Instruction | Instruction Code | | | | | | | | | | Description | Execution time(f_{osc} is 270kHz) | |
|----------------------------|------------------|-----|------|------|------|------|------|------|------|------|-------------|---|------------|
| | RS | R/W | DB 7 | DB 6 | DB 5 | DB 4 | DB 3 | DB 2 | DB 1 | DB 0 | | | |
| Clear Display | 0 | 0 | 0 | 0 | 0 | 0 | 0 | 0 | 0 | 0 | 1 | Write "20H" to DDRAM. and set DDRAM address to "00H" from AC | 1.53mS |
| Return Home | 0 | 0 | 0 | 0 | 0 | 0 | 0 | 0 | 0 | 1 | * | Set DDRAM address to "00H" from AC and return cursor to its original position if shifted. The contents of DDRAM are not changed. | 1.53mS |
| Entry Mode | 0 | 0 | 0 | 0 | 0 | 0 | 0 | 0 | 1 | I/D | SH | Assign cursor moving direction and make shift of entire display enable. | 39 μ S |
| Display ON/OFF | 0 | 0 | 0 | 0 | 0 | 0 | 1 | D | C | B | | Set display (D), cursor (C), and blinking of cursor (B) on/off control bit. | 39 μ S |
| Cursor or Display Shift | 0 | 0 | 0 | 0 | 0 | 1 | S/C | R/L | * | * | | Set cursor moving and display shift control bit, and the direction, without changing DDRAM data. | 39 μ S |
| Function Set | 0 | 0 | 0 | 0 | 1 | DL | N | F | * | * | | Set interface data length (DL: 4-bit / 8-bit), numbers of display line (N: 1-line / 2-line), display font type(F: 5 X 8 dots / 5 X 11 dots) | 39 μ S |
| Set CG RAM Address | 0 | 0 | 0 | 1 | AC 5 | AC 4 | AC 3 | AC 2 | AC 1 | AC 0 | | Set CGRAM address in address counter. | 39 μ S |
| Set DD RAM Address | 0 | 0 | 1 | AC 6 | AC 5 | AC 4 | AC 3 | AC 2 | AC 1 | AC 0 | | Set DDRAM address in address counter. | 39 μ S |
| Read Busy Flag and Address | 0 | 1 | BF | AC 6 | AC 5 | AC 4 | AC 3 | AC 2 | AC 1 | AC 0 | | Whether during internal operation or not can be known by reading BF. The contents of address counter can also be read. | 0 μ S |
| Write Data to RAM | 1 | 0 | D7 | D6 | D5 | D4 | D3 | D2 | D1 | D0 | | Write data into internal RAM (DDRAM / CGRAM). | 43 μ S |
| Read Data from RAM | 1 | 1 | D7 | D6 | D5 | D4 | D3 | D2 | D1 | D0 | | Read data from internal RAM (DDRAM / CGRAM). | 43 μ S |

* means don't care



| | | | | | |
|-----------------------|-------|--------------------|----------|----------------|---------|
| Messrs. | | | | | |
| Product Specification | Model | NMTC-S0802XRYHS-13 | Rev. No. | Issued Date. | Page. |
| | | | A | August. 16, 17 | 16 / 29 |

COMMANDS DESCRIPTION

Clear Display

| RS | R/W | DB7 | DB6 | DB5 | DB4 | DB3 | DB2 | DB1 | DB0 |
|----|-----|-----|-----|-----|-----|-----|-----|-----|-----|
| 0 | 0 | 0 | 0 | 0 | 0 | 0 | 0 | 0 | 1 |

Clear all the display data by writing "20H" (space code) to all DDRAM address, and set DDRAM address to "00H"

into AC (address counter). Return cursor to the original status. namely, bring the cursor to the left edge on first line

of the display. Make entry mode increment (I/D = "1").

Return Home

| RS | R/W | DB7 | DB6 | DB5 | DB4 | DB3 | DB2 | DB1 | DB0 |
|----|-----|-----|-----|-----|-----|-----|-----|-----|-----|
| 0 | 0 | 0 | 0 | 0 | 0 | 0 | 0 | 1 | * |

Return Home is cursor return home instruction. Set DDRAM address to "00H" into the address counter. Return

cursor to its original site and return display to its original status, if shifted. Content of DDRAM is not changed.

Entry Mode Set

| RS | R/W | DB7 | DB6 | DB5 | DB4 | DB3 | DB2 | DB1 | DB0 |
|----|-----|-----|-----|-----|-----|-----|-----|-----|-----|
| 0 | 0 | 0 | 0 | 0 | 0 | 0 | 1 | I/D | SH |

Set the moving direction of cursor and display.

I/D: Increment / decrement of DDRAM address (cursor or blink)

When I/D = "High", cursor/blink moves to right and DDRAM address is increased by 1.

When I/D = "Low", cursor/blink moves to left and DDRAM address is decreased by 1.

* CGRAM operates the same as DDRAM, when read from or write to CGRAM.

SH: Shift of entire display

When DDRAM read (CGRAM read/write) operation or SH = "Low", shift of entire display is not performed.

If SH = "High" and DDRAM write operation, shift of entire display is performed according to I/D value (I/D =

"1", shift left, I/D = "0": shift right).



| | | | | | |
|-----------------------|-------|--------------------|----------|----------------|---------|
| Messrs. | | | | | |
| Product Specification | Model | NMTC-S0802XRYHS-13 | Rev. No. | Issued Date. | Page. |
| | | | A | August. 16, 17 | 17 / 29 |

Display ON/OFF Control

| RS | R/W | DB7 | DB6 | DB5 | DB4 | DB3 | DB2 | DB1 | DB0 |
|----|-----|-----|-----|-----|-----|-----|-----|-----|-----|
| 0 | 0 | 0 | 0 | 0 | 0 | 1 | D | C | B |

Control display / cursor/blink ON/OFF 1 bit register.

D: Display ON/OFF control bit

When D = "High", entire display is turned on.

When D = "Low", display is turned off, but display data is remained in DDRAM.

C: Cursor ON/OFF control bit

When C = "High", cursor is turned on.

When C = "Low", cursor is disappeared in current display, but I/D register remains its data.

B: Cursor Blink ON/OFF control bit

When B = "High", cursor blink is on, that performs alternate between all the high data and display character at the cursor position.

When B = "Low", blink is off.

Cursor or Display Shift

| RS | R/W | DB7 | DB6 | DB5 | DB4 | DB3 | DB2 | DB1 | DB0 |
|----|-----|-----|-----|-----|-----|-----|-----|-----|-----|
| 0 | 0 | 0 | 0 | 0 | 1 | S/C | R/L | * | * |

Without writing or reading of display data, shift right / left cursor position or display.

This instruction is used to correct or search display data. (Refer to Table 4)

During 2 – line mode display, cursor moves to the 2nd line after 40th digit of 1st line.

Note that display shift is performed simultaneously in all the line.

When displayed data is shifted repeatedly, each line shifted individually.

When display shift is performed, the contents of address counter are not changed.

| S/C | R/L | Operation |
|-----|-----|---|
| 0 | 0 | Shift cursor to the left, AC is decreased by 1. |
| 0 | 1 | Shift cursor to the right, AC is increased by 1. |
| 1 | 0 | Shift all of the display to the left, cursor moves according to the display. |
| 1 | 1 | Shift all of the display to the right, cursor moves according to the display. |



| | | | | | |
|-----------------------|-------|--------------------|----------|----------------|---------|
| Messrs. | | | | | |
| Product Specification | Model | NMTC-S0802XRYHS-13 | Rev. No. | Issued Date. | Page. |
| | | | A | August. 16, 17 | 18 / 29 |

Function Set

| RS | R/W | DB7 | DB6 | DB5 | DB4 | DB3 | DB2 | DB1 | DB0 |
|----|-----|-----|-----|-----|-----|-----|-----|-----|-----|
| 00 | 0 | 0 | 0 | 1 | DL | N | F | * | * |

DL: Interface data length control bit

When DL = "High", it means 8 – bit bus mode with MPU.

When DL = "Low", it means 4 – bit bus mode with MPU. So to speak, DL is a signal to select 8 – bit or 4 – bit bus mode. When 4 – bit bus mode, it needs to transfer 4 – bit data by two times.

N: Display line number control bit

When N = "Low", it means 1 – line display mode.

When N = "High", 2 – line display mode is set.

F: Display font type control bit

When F = "Low", it means 5 X 8 dots format display mode

When F = "High", 5 x 11 dots format display mode.

Set CG RAM Address

| RS | R/W | DB7 | DB6 | DB5 | DB4 | DB3 | DB2 | DB1 | DB0 |
|----|-----|-----|-----|-----|-----|-----|-----|-----|-----|
| 0 | 0 | 0 | 1 | AC5 | AC4 | AC3 | AC2 | AC1 | AC0 |

Set CGRAM address to AC.

This instruction makes CGRAM data available from MPU.

Set DD RAM Address

| RS | R/W | DB7 | DB6 | DB5 | DB4 | DB3 | DB2 | DB1 | DB0 |
|----|-----|-----|-----|-----|-----|-----|-----|-----|-----|
| 0 | 0 | 1 | AC6 | AC5 | AC4 | AC3 | AC2 | AC1 | AC0 |

Set DDRAM address to AC.

This instruction makes DDRAM data available from MPU.

When 1 – line display mode (N = 0), DDRAM address is from "00H" to "4FH".

In 2 – line display mode (N = 1), DDRAM address in the 1st line is from "00H" to "27H", and DDRAM address in the 2nd line is from "40H" to "67H".



| | | | | | |
|-----------------------|-------|--------------------|----------|----------------|---------|
| Messrs. | | | | | |
| Product Specification | Model | NMTC-S0802XRYHS-13 | Rev. No. | Issued Date. | Page. |
| | | | A | August. 16, 17 | 19 / 29 |

Read Busy Flag and Address

| RS | R/W | DB7 | DB6 | DB5 | DB4 | DB3 | DB2 | DB1 | DB0 |
|----|-----|-----|-----|-----|-----|-----|-----|-----|-----|
| 0 | 1 | BF | AC6 | AC5 | AC4 | AC3 | AC2 | AC1 | AC0 |

This instruction shows whether ST7066 is in internal operation or not. If the resultant BF is High, it means the internal operation is in progress and you have to wait until BF to be Low, and then the next instruction can be performed. In this instruction you can read also the value of address counter.

Write Data to RAM

| RS | R/W | DB7 | DB6 | DB5 | DB4 | DB3 | DB2 | DB1 | DB0 |
|----|-----|-----|-----|-----|-----|-----|-----|-----|-----|
| 1 | 0 | D7 | D6 | D5 | D4 | D3 | D2 | D1 | D0 |

Write binary 8 – bit data to DDRAM / CGRAM.

The selection of RAM from DDRAM, CGRAM, is set by the previous address set instruction: DDRAM address set, CGRAM address set. RAM set instruction can also determine the AC direction to RAM. After write operation, the address is automatically increased / decreased by 1, according to the entry mode.

Read Data to RAM

| RS | R/W | DB7 | DB6 | DB5 | DB4 | DB3 | DB2 | DB1 | DB0 |
|----|-----|-----|-----|-----|-----|-----|-----|-----|-----|
| 1 | 0 | D7 | D6 | D5 | D4 | D3 | D2 | D1 | D0 |

Read binary 8 – bit data from DDRAM/CGRAM.

The selection of RAM is set by the previous address set instruction. If address set instruction of RAM is not performed before this instruction, the data that read first is invalid, because the direction of AC is not determined.

If you read RAM data several times without RAM address set instruction before read operation, you can get correct RAM data from the second, but the first data would be incorrect, because there is no time margin to transfer RAM data.

In case of DDRAM read operation, cursor shift instruction plays the same role as DDRAM address set instruction : it also transfers RAM data to output data register. After read operation address counter is automatically increased/decreased by 1 according to the entry mode. After CGRAM read operation, display shift may not be executed correctly.

NOTE: In case of RAM write operation, after this AC is increased / decreased by 1 like read operation. In this time,

AC indicates the next address position, but you can read only the previous data by read instruction.



| | | | | | |
|-----------------------|-------|--------------------|----------|----------------|---------|
| Messrs. | | | | | |
| Product Specification | Model | NMTC-S0802XRYHS-13 | Rev. No. | Issued Date. | Page. |
| | | | A | August. 16, 17 | 20 / 29 |

DD RAM ADDRESSING

For 16 × 1 or 8 × 1 Display

| | | | | | | | | | | | | | | | | |
|-----------------------|----|----|----|----|----|----|----|----|----|----|----|----|----|----|----|----|
| Character | 1 | 2 | 3 | 4 | 5 | 6 | 7 | 8 | 9 | 10 | 11 | 12 | 13 | 14 | 15 | 16 |
| DD RAM Address | 00 | 01 | 02 | 03 | 04 | 05 | 06 | 07 | 40 | 41 | 42 | 43 | 44 | 45 | 46 | 47 |

For 16 × 2 or 8 × 2 Display

| | | | | | | | | | | | | | | | | |
|-----------------------|----|----|----|----|----|----|----|----|----|----|----|----|----|----|----|----|
| Character | 1 | 2 | 3 | 4 | 5 | 6 | 7 | 8 | 9 | 10 | 11 | 12 | 13 | 14 | 15 | 16 |
| DD RAM Address | 00 | 01 | 02 | 03 | 04 | 05 | 06 | 07 | 08 | 09 | 0A | 0B | 0C | 0D | 0E | 0F |
| | 40 | 41 | 42 | 43 | 44 | 45 | 46 | 47 | 48 | 49 | 4A | 4B | 4C | 4D | 4E | 4F |

For 16 × 4 Display

| | | | | | | | | | | | | | | | | |
|-----------------------|----|----|----|----|----|----|----|----|----|----|----|----|----|----|----|----|
| Character | 1 | 2 | 3 | 4 | 5 | 6 | 7 | 8 | 9 | 10 | 11 | 12 | 13 | 14 | 15 | 16 |
| DD RAM Address | 00 | 01 | 02 | 03 | 04 | 05 | 06 | 07 | 08 | 09 | 0A | 0B | 0C | 0D | 0E | 0F |
| | 40 | 41 | 42 | 43 | 44 | 45 | 46 | 47 | 48 | 49 | 4A | 4B | 4C | 4D | 4E | 4F |
| | 10 | 11 | 12 | 13 | 14 | 15 | 16 | 17 | 18 | 19 | 1A | 1B | 1C | 1D | 1E | 1F |
| | 50 | 51 | 52 | 53 | 54 | 55 | 56 | 57 | 58 | 59 | 5A | 5B | 5C | 5D | 5E | 5F |

For 20 × 2 Display

| | | | | | | | | | | | | | | | | |
|-----------------------|----|----|----|----|----|----|----|----|----|----|-----|-----|----|----|----|----|
| Character | 1 | 2 | 3 | 4 | 5 | 6 | 7 | 8 | 9 | 10 | ... | ... | 17 | 18 | 19 | 20 |
| DD RAM Address | 00 | 01 | 02 | 03 | 04 | 05 | 06 | 07 | 08 | 09 | ... | ... | 10 | 11 | 12 | 13 |
| | 40 | 41 | 42 | 43 | 44 | 45 | 46 | 47 | 48 | 49 | ... | ... | 50 | 51 | 52 | 53 |



| | | | | | |
|-----------------------|-------|--------------------|----------|----------------|---------|
| Messrs. | | | | | |
| Product Specification | Model | NMTC-S0802XRYHS-13 | Rev. No. | Issued Date. | Page. |
| | | | A | August. 16, 17 | 21 / 29 |

For 20 × 4 Display

| | | | | | | | | | | | | | | | | |
|-----------------------|----|----|----|----|----|----|----|----|----|----|-----|-----|----|----|----|----|
| Character | 1 | 2 | 3 | 4 | 5 | 6 | 7 | 8 | 9 | 10 | ... | ... | 17 | 18 | 19 | 20 |
| | 00 | 01 | 02 | 03 | 04 | 05 | 06 | 07 | 08 | 09 | ... | ... | 10 | 11 | 12 | 13 |
| DD RAM Address | 40 | 41 | 42 | 43 | 44 | 45 | 46 | 47 | 48 | 49 | ... | ... | 50 | 51 | 52 | 53 |
| | 14 | 15 | 16 | 17 | 18 | 19 | 1A | 1B | 1C | 1D | ... | ... | 24 | 25 | 26 | 27 |
| | 54 | 55 | 56 | 57 | 58 | 59 | 5A | 5B | 5C | 5D | ... | ... | 64 | 65 | 66 | 67 |

For 40 × 2 Display

| | | | | | | | | | | | | | | | | |
|-----------------------|----|----|----|----|----|----|----|----|----|----|-----|-----|----|----|----|----|
| Character | 1 | 2 | 3 | 4 | 5 | 6 | 7 | 8 | 9 | 10 | ... | ... | 37 | 38 | 39 | 40 |
| DD RAM Address | 00 | 01 | 02 | 03 | 04 | 05 | 06 | 07 | 08 | 09 | ... | ... | 24 | 25 | 26 | 27 |
| Address | 40 | 41 | 42 | 43 | 44 | 45 | 46 | 47 | 48 | 49 | ... | ... | 64 | 65 | 66 | 67 |

For 40 × 4 Display

| | | | | | | | | | | | | | | | | | |
|-----------------------|----|----|----|----|----|----|----|----|----|----|----|-----|-----|----|----|----|----|
| Character | E | 1 | 2 | 3 | 4 | 5 | 6 | 7 | 8 | 9 | 10 | ... | ... | 37 | 38 | 39 | 40 |
| DD RAM Address | E1 | 00 | 01 | 02 | 03 | 04 | 05 | 06 | 07 | 08 | 09 | ... | ... | 24 | 25 | 26 | 27 |
| | | 40 | 41 | 42 | 43 | 44 | 45 | 46 | 47 | 48 | 49 | ... | ... | 64 | 65 | 66 | 67 |
| Address | E2 | 00 | 01 | 02 | 03 | 04 | 05 | 06 | 07 | 08 | 09 | ... | ... | 24 | 25 | 26 | 27 |
| | | 40 | 41 | 42 | 43 | 44 | 45 | 46 | 47 | 48 | 49 | ... | ... | 64 | 65 | 66 | 67 |



| | | | | | |
|-----------------------|-------|--------------------|----------|----------------|---------|
| Messrs. | | | | | |
| Product Specification | Model | NMTC-S0802XRYHS-13 | Rev. No. | Issued Date. | Page. |
| | | | A | August. 16, 17 | 22 / 29 |

CG RAM MAPPING

| Character Code (DD RAM data) | | | | | | | | CG RAM Address | | | | | | Character Patterns (CG RAM data) | | | | | | | | | | | | | | | | | | | | | | | | | | | | | | | | | | | | | | | | | | | | | | | | |
|------------------------------|---|---|---|-----|---|---|---|----------------|---|---|-----|---|---|---|---|---|---|-----|---|---|---|--------------------|---|---|---|---|---|---|---|---|---|---|---|---|---|---|---|---|---|---|---|---|---|---|---|---|---|---|---|---|---|---|---|---|---|---|---|---|---|---|---|---------|
| 7 | 6 | 5 | 4 | 3 | 2 | 1 | 0 | 5 | 4 | 3 | 2 | 1 | 0 | 7 | 6 | 5 | 4 | 3 | 2 | 1 | 0 | | | | | | | | | | | | | | | | | | | | | | | | | | | | | | | | | | | | | | | | | |
| High | | | | Low | | | | High | | | Low | | | High | | | | Low | | | | | | | | | | | | | | | | | | | | | | | | | | | | | | | | | | | | | | | | | | | | |
| 0 0 0 0 * 0 0 0 | | | | | | | | 0 0 0 | | | | | | * * * | | | | | | | | ←Character Pattern | | | | | | | | | | | | | | | | | | | | | | | | | | | | | | | | | | | | | | | | |
| | | | | | | | | | | | | | | <table border="1"> <tr><td>0</td><td>1</td><td>1</td><td>0</td><td>0</td></tr> <tr><td>1</td><td>0</td><td>0</td><td>1</td><td>0</td></tr> <tr><td>0</td><td>0</td><td>1</td><td>0</td><td>0</td></tr> <tr><td>0</td><td>1</td><td>0</td><td>0</td><td>0</td></tr> <tr><td>1</td><td>1</td><td>1</td><td>1</td><td>0</td></tr> <tr><td>0</td><td>0</td><td>0</td><td>0</td><td>0</td></tr> <tr><td>0</td><td>0</td><td>0</td><td>0</td><td>0</td></tr> <tr><td>0</td><td>0</td><td>0</td><td>0</td><td>0</td></tr> </table> | | | | | | | | 0 | 1 | 1 | 0 | 0 | 1 | 0 | 0 | 1 | 0 | 0 | 0 | 1 | 0 | 0 | 0 | 1 | 0 | 0 | 0 | 1 | 1 | 1 | 1 | 0 | 0 | 0 | 0 | 0 | 0 | 0 | 0 | 0 | 0 | 0 | 0 | 0 | 0 | 0 | 0 | ←Cursor |
| 0 | 1 | 1 | 0 | 0 | | | | | | | | | | | | | | | | | | | | | | | | | | | | | | | | | | | | | | | | | | | | | | | | | | | | | | | | | | |
| 1 | 0 | 0 | 1 | 0 | | | | | | | | | | | | | | | | | | | | | | | | | | | | | | | | | | | | | | | | | | | | | | | | | | | | | | | | | | |
| 0 | 0 | 1 | 0 | 0 | | | | | | | | | | | | | | | | | | | | | | | | | | | | | | | | | | | | | | | | | | | | | | | | | | | | | | | | | | |
| 0 | 1 | 0 | 0 | 0 | | | | | | | | | | | | | | | | | | | | | | | | | | | | | | | | | | | | | | | | | | | | | | | | | | | | | | | | | | |
| 1 | 1 | 1 | 1 | 0 | | | | | | | | | | | | | | | | | | | | | | | | | | | | | | | | | | | | | | | | | | | | | | | | | | | | | | | | | | |
| 0 | 0 | 0 | 0 | 0 | | | | | | | | | | | | | | | | | | | | | | | | | | | | | | | | | | | | | | | | | | | | | | | | | | | | | | | | | | |
| 0 | 0 | 0 | 0 | 0 | | | | | | | | | | | | | | | | | | | | | | | | | | | | | | | | | | | | | | | | | | | | | | | | | | | | | | | | | | |
| 0 | 0 | 0 | 0 | 0 | | | | | | | | | | | | | | | | | | | | | | | | | | | | | | | | | | | | | | | | | | | | | | | | | | | | | | | | | | |
| 0 0 0 0 * 0 0 1 | | | | | | | | 0 0 1 | | | | | | * * * | | | | | | | | ←Character Pattern | | | | | | | | | | | | | | | | | | | | | | | | | | | | | | | | | | | | | | | | |
| | | | | | | | | | | | | | | <table border="1"> <tr><td>1</td><td>1</td><td>1</td><td>1</td><td>1</td></tr> <tr><td>1</td><td>0</td><td>0</td><td>0</td><td>1</td></tr> <tr><td>1</td><td>0</td><td>1</td><td>0</td><td>1</td></tr> <tr><td>1</td><td>0</td><td>1</td><td>1</td><td>1</td></tr> <tr><td>1</td><td>0</td><td>1</td><td>0</td><td>1</td></tr> <tr><td>1</td><td>0</td><td>0</td><td>0</td><td>1</td></tr> <tr><td>1</td><td>1</td><td>1</td><td>1</td><td>1</td></tr> <tr><td>0</td><td>0</td><td>0</td><td>0</td><td>0</td></tr> </table> | | | | | | | | 1 | 1 | 1 | 1 | 1 | 1 | 0 | 0 | 0 | 1 | 1 | 0 | 1 | 0 | 1 | 1 | 0 | 1 | 1 | 1 | 1 | 0 | 1 | 0 | 1 | 1 | 0 | 0 | 0 | 1 | 1 | 1 | 1 | 1 | 1 | 0 | 0 | 0 | 0 | 0 | ←Cursor |
| 1 | 1 | 1 | 1 | 1 | | | | | | | | | | | | | | | | | | | | | | | | | | | | | | | | | | | | | | | | | | | | | | | | | | | | | | | | | | |
| 1 | 0 | 0 | 0 | 1 | | | | | | | | | | | | | | | | | | | | | | | | | | | | | | | | | | | | | | | | | | | | | | | | | | | | | | | | | | |
| 1 | 0 | 1 | 0 | 1 | | | | | | | | | | | | | | | | | | | | | | | | | | | | | | | | | | | | | | | | | | | | | | | | | | | | | | | | | | |
| 1 | 0 | 1 | 1 | 1 | | | | | | | | | | | | | | | | | | | | | | | | | | | | | | | | | | | | | | | | | | | | | | | | | | | | | | | | | | |
| 1 | 0 | 1 | 0 | 1 | | | | | | | | | | | | | | | | | | | | | | | | | | | | | | | | | | | | | | | | | | | | | | | | | | | | | | | | | | |
| 1 | 0 | 0 | 0 | 1 | | | | | | | | | | | | | | | | | | | | | | | | | | | | | | | | | | | | | | | | | | | | | | | | | | | | | | | | | | |
| 1 | 1 | 1 | 1 | 1 | | | | | | | | | | | | | | | | | | | | | | | | | | | | | | | | | | | | | | | | | | | | | | | | | | | | | | | | | | |
| 0 | 0 | 0 | 0 | 0 | | | | | | | | | | | | | | | | | | | | | | | | | | | | | | | | | | | | | | | | | | | | | | | | | | | | | | | | | | |
| ⋮ | | | | | | | | ⋮ | | | | | | ⋮ | | | | | | | | | | | | | | | | | | | | | | | | | | | | | | | | | | | | | | | | | | | | | | | | |
| 0 0 0 0 * 1 1 1 | | | | | | | | 1 1 1 | | | | | | * * * | | | | | | | | ←Character Pattern | | | | | | | | | | | | | | | | | | | | | | | | | | | | | | | | | | | | | | | | |
| | | | | | | | | | | | | | | <table border="1"> <tr><td>1</td><td>1</td><td>1</td><td>1</td><td>1</td></tr> <tr><td>1</td><td>0</td><td>0</td><td>0</td><td>1</td></tr> <tr><td>1</td><td>1</td><td>1</td><td>0</td><td>1</td></tr> <tr><td>1</td><td>0</td><td>0</td><td>0</td><td>1</td></tr> <tr><td>1</td><td>0</td><td>1</td><td>1</td><td>1</td></tr> <tr><td>1</td><td>0</td><td>0</td><td>0</td><td>1</td></tr> <tr><td>1</td><td>1</td><td>1</td><td>1</td><td>1</td></tr> <tr><td>0</td><td>0</td><td>0</td><td>0</td><td>0</td></tr> </table> | | | | | | | | 1 | 1 | 1 | 1 | 1 | 1 | 0 | 0 | 0 | 1 | 1 | 1 | 1 | 0 | 1 | 1 | 0 | 0 | 0 | 1 | 1 | 0 | 1 | 1 | 1 | 1 | 0 | 0 | 0 | 1 | 1 | 1 | 1 | 1 | 1 | 0 | 0 | 0 | 0 | 0 | ←Cursor |
| 1 | 1 | 1 | 1 | 1 | | | | | | | | | | | | | | | | | | | | | | | | | | | | | | | | | | | | | | | | | | | | | | | | | | | | | | | | | | |
| 1 | 0 | 0 | 0 | 1 | | | | | | | | | | | | | | | | | | | | | | | | | | | | | | | | | | | | | | | | | | | | | | | | | | | | | | | | | | |
| 1 | 1 | 1 | 0 | 1 | | | | | | | | | | | | | | | | | | | | | | | | | | | | | | | | | | | | | | | | | | | | | | | | | | | | | | | | | | |
| 1 | 0 | 0 | 0 | 1 | | | | | | | | | | | | | | | | | | | | | | | | | | | | | | | | | | | | | | | | | | | | | | | | | | | | | | | | | | |
| 1 | 0 | 1 | 1 | 1 | | | | | | | | | | | | | | | | | | | | | | | | | | | | | | | | | | | | | | | | | | | | | | | | | | | | | | | | | | |
| 1 | 0 | 0 | 0 | 1 | | | | | | | | | | | | | | | | | | | | | | | | | | | | | | | | | | | | | | | | | | | | | | | | | | | | | | | | | | |
| 1 | 1 | 1 | 1 | 1 | | | | | | | | | | | | | | | | | | | | | | | | | | | | | | | | | | | | | | | | | | | | | | | | | | | | | | | | | | |
| 0 | 0 | 0 | 0 | 0 | | | | | | | | | | | | | | | | | | | | | | | | | | | | | | | | | | | | | | | | | | | | | | | | | | | | | | | | | | |



| | | | | | |
|-----------------------|-------|--------------------|----------|----------------|---------|
| Messrs. | | | | | |
| Product Specification | Model | NMTC-S0802XRYHS-13 | Rev. No. | Issued Date. | Page. |
| | | | A | August. 16, 17 | 23 / 29 |

CHARACTER FONT TABLE

| Upper 4 bits Lower 4 bits | 0000 | 0001 | 0010 | 0011 | 0100 | 0101 | 0110 | 0111 | 1000 | 1001 | 1010 | 1011 | 1100 | 1101 | 1110 | 1111 |
|------------------------------------|------------------|------|------|------|------|------|------|------|------|------|------|------|------|------|------|------|
| 0000 | CG RAM (1) | | | 0 | a | P | ` | P | | | | — | 9 | E | e | p |
| 0001 | CG RAM (2) | | ! | 1 | A | Q | a | 4 | | | a | 7 | + | G | ä | q |
| 0010 | CG RAM (3) | | " | 2 | B | R | b | r | | | r | 4 | U | X | P | 0 |
| 0011 | CG RAM (4) | | # | 3 | C | S | c | s | | | J | U | T | E | e | 8 |
| 0100 | CG RAM (5) | | \$ | 4 | D | T | d | t | | | \ | I | T | H | W | 0 |
| 0101 | CG RAM (6) | | % | 5 | E | U | e | u | | | = | O | + | J | 0 | 0 |
| 0110 | CG RAM (7) | | & | 6 | F | V | f | v | | | 9 | h | — | 0 | P | E |
| 0111 | CG RAM (8) | | ' | 7 | G | W | g | w | | | 7 | + | 2 | 7 | 9 | π |
| 1000 | CG RAM (1) | | (| 8 | H | X | h | x | | | 4 | 0 | * | l | π | 2 |
| 1001 | CG RAM (2) | |) | 9 | I | Y | i | y | | | 0 | T | J | U | — | U |
| 1010 | CG RAM (3) | | * | 0 | J | Z | j | z | | | E | 0 | N | V | J | 7 |
| 1011 | CG RAM (4) | | + | 1 | K | 0 | k | 0 | | | 0 | 9 | 0 | 0 | 0 | π |
| 1100 | CG RAM (5) | | , | < | L | * | l | l | | | 0 | 0 | 0 | 0 | 0 | π |
| 1101 | CG RAM (6) | | — | = | M | J | m | j | | | 0 | 2 | 0 | 0 | 0 | π |
| 1110 | CG RAM (7) | | . | > | N | ^ | n | + | | | 0 | 0 | 0 | 0 | 0 | π |
| 1111 | CG RAM (8) | | / | ? | 0 | _ | o | + | | | 0 | 0 | 0 | 0 | 0 | π |



| | | | | | |
|-----------------------|-------|--------------------|----------|----------------|---------|
| Messrs. | | | | | |
| Product Specification | Model | NMTC-S0802XRYHS-13 | Rev. No. | Issued Date. | Page. |
| | | | A | August. 16, 17 | 24 / 29 |

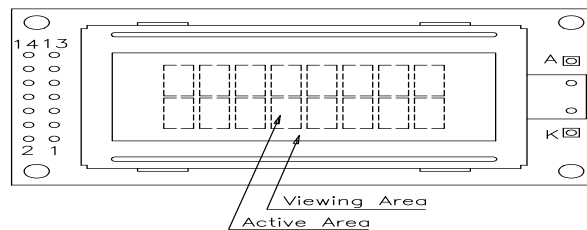
RELIABILITY TEST

| No | Item | Conditions | | Note |
|----|--|--|-----------|----------------------|
| 1. | High Temp. Operation | 70°C | 240 Hr | -- |
| 2. | High Temp. Storage | 80°C | 240 Hr | -- |
| 3. | Low Temp. Operation | -20°C | 240 Hr | -- |
| 4. | Low Temp. Storage | -30°C | 240 Hr | -- |
| 5. | High Temp. / Humid Storage | 40°C 90% RH | 240 Hr | -- |
| 6. | Thermal Shock | -20°C, 30min +70°C, 30min | 10 cycles | -- |
| 7. | Vibration Test (IEC – 68 – 2 – 6) | Frequency: 10 ~ 55 Hz Duration: 20 times, 6 min / time Amplitude: 0.75 mm | -- | -- |
| 8. | Shock (IEC 68 – 2 – 27) | Duration: 11 mS Acceleration: 100g | -- | X, Y, Z direction |

APPEARANCE CHECK

CONDIITON OF APPEARANCE CHECK:

- (1) Specimen shall be checked by eyes in distance of 30cm under 40w – fluorescence lamp.
- (2) Checking direction shall be in 45 degree from perpendicular line op specimen surface.



| | | | | | |
|-----------------------|-------|--------------------|----------|----------------|---------|
| Messrs. | | | | | |
| Product Specification | Model | NMTC-S0802XRYHS-13 | Rev. No. | Issued Date. | Page. |
| | | | A | August. 16, 17 | 25 / 29 |

HANDLING PRECAUTIONS

- (1) Treat polarizer very carefully since it is easy to be damaged.
- (2) When cleaning the display surface, use soft cloth (e.g. gauss) with a solvent (recommended below) and wipe lightly.
 - ◆ ethyl alcohol
 - ◆ iso – procolol

Do not wipe the display surface with dry or hard materials that will damage the polarizer surface.

Do not use the following solvents:

- ◆ water
- ◆ ketone
- ◆ aromatics

- (3) Direct current causes electro – chemical reaction with remarkable degradation of the display quality.
Give careful consideration to prevent direct current at ON/OFF timing and during Operation.
- (4) Avoid strong shock and drop from the height.
- (5) To prevent LCD panels from degradation, do not operate or store them exposed directly to sunshine or high temperature / humidity.
- (6) Give careful consideration to avoid electrical static discharge with causes uneven contrast.
- (7) Even a small condensation on the contact pads (terminals) causes electro-chemical reaction Which makes missing row and column. Give careful attention to avoid condensation.
When assembling with zebra connector, clean the surface of the pads with alcohol and keep the air very clean.



| | | | | | |
|-----------------------|-------|--------------------|----------|----------------|---------|
| Messrs. | | | | | |
| Product Specification | Model | NMTC-S0802XRYHS-13 | Rev. No. | Issued Date. | Page. |
| | | | A | August. 16, 17 | 26 / 29 |

LCD PRODUCT QUALITY STANDARD

DISPLAY APPEARANCE

| No | Item | Criteria |
|----|---|--|
| 1. | Inclusions (Black spot, white spot, dust) | <p>(1) Round type diameter mm (a*) no of defect* $a \leq 0.20$ neglect $0.20 < a \leq 0.35$ 5max $0.35 < a$ none</p> <p>(2) Linear type length mm (l) width mm (W) no. of defect na $W \leq 0.03$ neglect $1 \leq 3$ $0.03 < W \leq 0.08$ 6 $3 < l$ $0.08 < W$ none</p> |
| 2. | Scratch | <p>1. Scratch on protective film is permitted. 2. Scratch on polarizer shall be as follow: (1) Round type diameter mm (a*) no of defect $a \leq 0.15$ neglect $0.15 < a \leq 0.20$ 2 max $0.20 < a$ none</p> <p>(2) Linear type be judged by 1. – (2) linear type</p> |
| 3. | Dent | Diameter < 1.5mm |
| 4. | Bubble | Not exceeding 0.5mm average diameter is acceptable between glass and polarizing film |
| 5. | Pin hole | $(a + b) / 2 \leq 0.15\text{mm}$ maximum number: ignored $0.15 < (a + b) / 2 \leq 0.20\text{mm}$ maximum number: 10 |



| | | | | | |
|-----------------------|-------|--------------------|----------|----------------|---------|
| Messrs. | | | | | |
| Product Specification | Model | NMTC-S0802XRYHS-13 | Rev. No. | Issued Date. | Page. |
| | | | A | August. 16, 17 | 27 / 29 |

| No | Item | Criteria | | | | | | | | | | |
|------------------------|------------------------------|--|---------------|--------------|------------------------|---------|----------------------|---|----------------------|---|------------|------|
| 6. | Dot defect | $(a + b) / 2 \leq 0.20\text{mm}$ maximum number: ignored $0.20 < (a + b) / 2 \leq 0.30\text{mm}$ maximum number: 5 x = width | | | | | | | | | | |
| 7. | Contrast irregularity (spot) | <table> <tr> <td>Diameter spec</td> <td>no of defect</td> </tr> <tr> <td>$a \leq 0.50\text{mm}$</td> <td>neglect</td> </tr> <tr> <td>$0.50 < a \leq 0.75$</td> <td>5</td> </tr> <tr> <td>$0.75 < a \leq 1.00$</td> <td>3</td> </tr> <tr> <td>$1.00 < a$</td> <td>none</td> </tr> </table> | Diameter spec | no of defect | $a \leq 0.50\text{mm}$ | neglect | $0.50 < a \leq 0.75$ | 5 | $0.75 < a \leq 1.00$ | 3 | $1.00 < a$ | none |
| Diameter spec | no of defect | | | | | | | | | | | |
| $a \leq 0.50\text{mm}$ | neglect | | | | | | | | | | | |
| $0.50 < a \leq 0.75$ | 5 | | | | | | | | | | | |
| $0.75 < a \leq 1.00$ | 3 | | | | | | | | | | | |
| $1.00 < a$ | none | | | | | | | | | | | |
| 8. | Dot width | Design width $\pm 15\%$ | | | | | | | | | | |
| 9. | Color tone and uniformity | Obvious uneven color is not permitted | | | | | | | | | | |



| | | | | | |
|-----------------------|-------|--------------------|----------|-----------------------|----------------|
| Messrs. | | | | | |
| Product Specification | Model | NMTC-S0802XRYHS-13 | Rev. No. | Issued Date. | Page. |
| | | | <i>A</i> | <i>August. 16, 17</i> | <i>28 / 29</i> |

WARRANTY

This product has been manufactured to your company’s specifications as a part for use in your company’s general electronic products. It is guaranteed to perform according to delivery specifications. For any other use apart from general electronic equipment, we cannot take responsibility if the product is used in medical devices, nuclear power control equipment, aerospace equipment, fire and security systems, or any other applications in which there is a direct risk to human life and where extremely high levels of reliability are required. If the product is to be used in any of the above applications, we will need to enter into a separate product liability agreement.

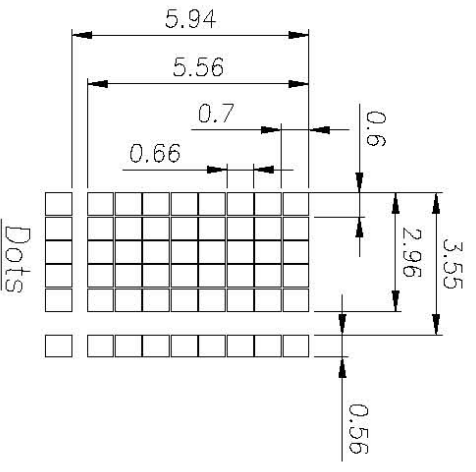
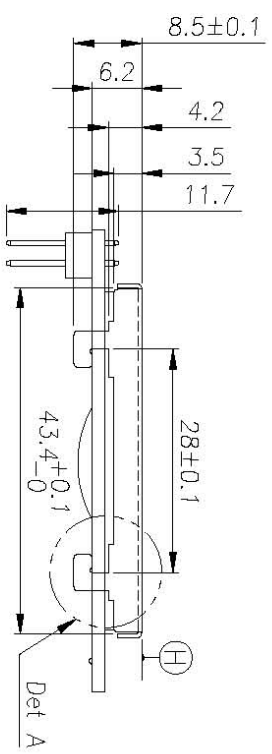
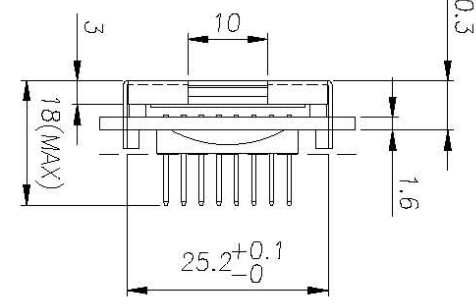
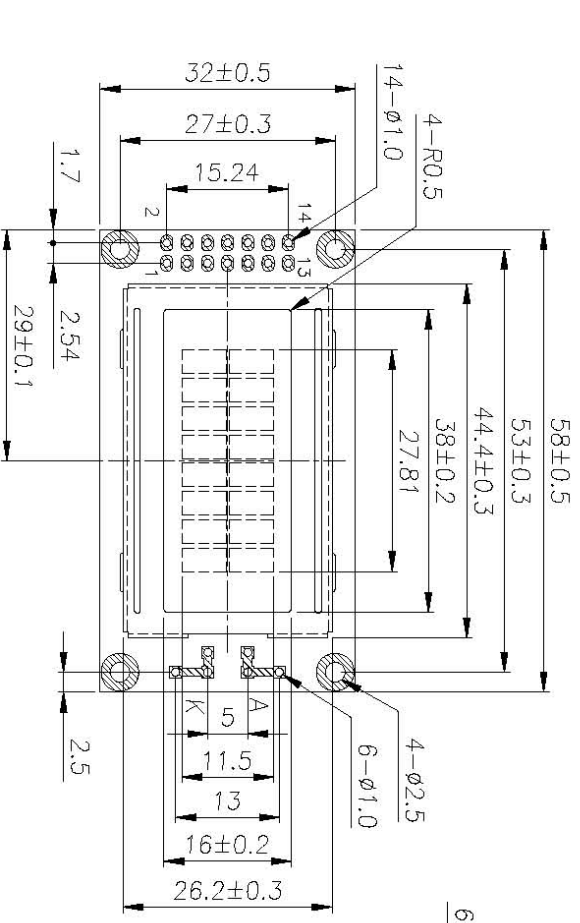
- 1 13 months guarantee starts from the date code.
- 2 We cannot accept responsibility for any defect, which may arise from additional manufacturing of the product (including disassembly and reassembly), after product delivery.
- 3 We cannot accept responsibility for any defect, which may arise after the application of strong external force to the product.
- 4 We cannot accept responsibility for any defect, which may arise due to the application of static electricity after the product has passed your company’s acceptance inspection procedures.
- 5 We cannot accept responsibility for industrial property, which may arise through the use of your product, with exception to those issues relating directly to the structure or method of manufacturing of our product. Microtips-origin longer than one year from Microtips production.

DIMENSIONAL OUTLINES

- Please see the next page.....



| REV. | DESCRIPTION | DRAWN | CHECK | APP'D | DATE |
|------|-------------|-------|-------|-------|------|
| | | | | | |





- Pin Assignment
1. :Vss
 2. :Vdd
 3. :Vo
 4. :RS
 5. :R/W
 6. :E
 7. :DB0
 - 14.:DB7

LCM Specification

| Mode | STN YELLOW GREEN | Module Type | COB |
|------|------------------|-------------|--------------|
| Type | REFLECTIVE | VoP | 4.5V |
| View | 6 o'clock | Driver IC | SPLC780A2-01 |
| Duty | 1/16 | O.Temp | -20°C~+70°C |
| Bias | 1/5 | S.Temp | -30°C~+80°C |

| | | | | | | | |
|-----------|----------|-------|---|---------|----------|------------|--------|
| NO. | M-0802XH | Q'TY | 1 | DATE: | 04-06-09 | MATERIAL | 電著黑 |
| PART NAME | | APP'D | | UNIT:MM | | SCALE: 1/1 | FINISH |

UNLESS OTHERWISE SPECIFIED
 TOLERANCE ON FRACTIONS DECIMALS ANGLES
 0.10 0.5°

PRODUCT: MTC-0802XH
 DWG NO.: C00802X6
 FILE: DWG\MTC\C00802X
 SHEET 1 / 1 Rev: X

X-ON Electronics

Largest Supplier of Electrical and Electronic Components

Click to view similar products for [LCD Character Display Modules & Accessories](#) category:

Click to view products by [Microtips](#) manufacturer:

Other Similar products are found below :

[HG9Z-AC501](#) [HG9Z-SCI25B](#) [LCM-S01602DTRA-3](#) [HG9Z-XC213](#) [EA FL-10P](#) [MDLS-81809-LV-GLED4G](#) [MDLS-20265-LV-GLED4G](#)
[NMTC-S16205DFYHSAY-22](#) [NHD-0420AZ-FSW-GBW-33V33-0](#) [CM1644-SGR1](#) [162A BC BW](#) [LCM-S02002DSM-Y](#) [162D BA BC](#)
[HDM24216H-2-P9XS](#) [DEM 16207 SYH-PY](#) [RC0802A1-LLG-JWVE](#) [RC0802A1-LLR-JWVE](#) [RC0802A-TIW-ESV](#) [RC1202A-BIY-CSX](#)
[RC1202A-BIY-ESX](#) [RC1602A-BIW-CSV](#) [RC1602A-YHW-CSV](#) [RC1602B-GHY-CSXD](#) [RC1602B-TIW-CSV](#) [RC1602B-YHY-CSVD](#)
[RC1602D-GHY-ESX](#) [RC2002A2-LLB-JSVE](#) [RC2002A-GHG-CSV](#) [RC2004A-BIW-ESX](#) [RC2004A-GHW-CSV](#) [RC2004A-LLB-JSVE](#)
[RC2004A-LLH-JSV](#) [RC2004A-LLR-JSVE](#) [DEM 08171 SYH-LY](#) [DEM 08172 SYH-PY](#) [DEM16101SYH-LY](#) [DEM 16209 SBH-PW-N](#)
[DEM 16210 SGH](#) [DEM 16214 FGH-PW](#) [DEM 16216 FDH-P\(RGB\)-N](#) [DEM16216SYH-LY](#) [DEM 16217 SYH-PY](#) [DEM 16221 SYH](#) [DEM](#)
[16221 SYH \(FFCF/TR\)/V](#) [DEM 16227 FGH-PW](#) [DEM 16227 SBH-PW-N](#) [DEM 16227 SYH-LY](#) [DEM 20231 SYH-PY-CYR22](#) [DEM 20232](#)
[SBH-PW-N](#) [DEM 20233 SYH-LY](#)