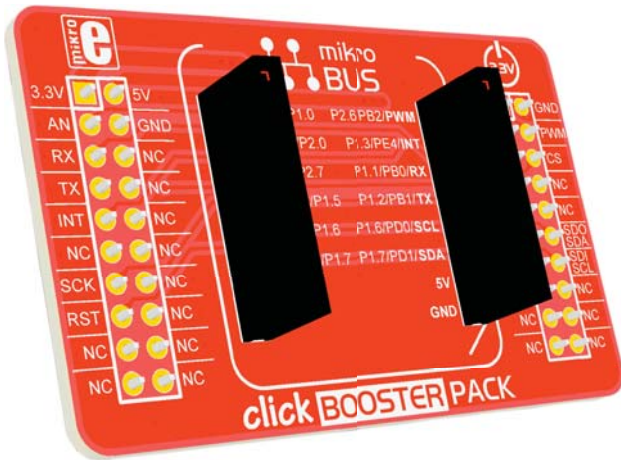


click™

BOOSTER PACK



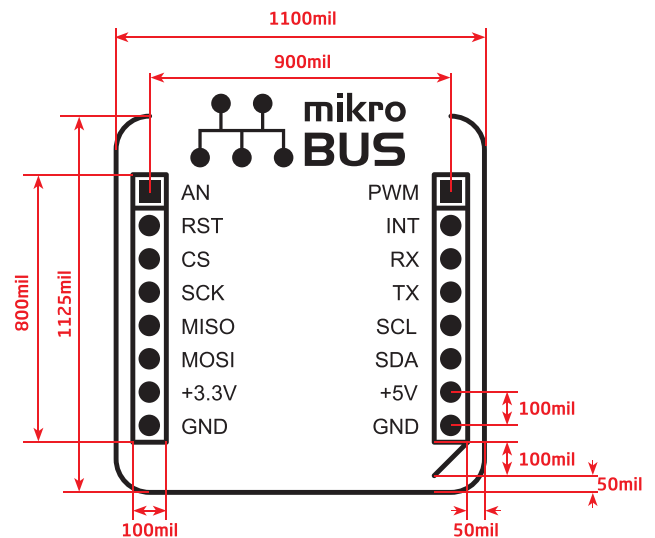
Click BOOSTER PACK is the add-on board for LaunchPad® from Texas Instruments®. It features mikroBUS™ host socket, allowing developers to use dozens of click™ add-on boards from mikroElektronika.

What are click™ boards?

Click™ boards are popular add-on boards in mikroBUS™ form factor. Each one carries a specific functionality, whether it is a communication layer, sensor, analog input, storage module, etc. Click™ boards are compact in size and are easily integrated into target devices, making them a great choice for fast prototyping. Each comes with user manual and a set of examples.

What is mikroBUS™?

mikroBUS™ host connector consists of two 1x8 female headers containing pins to be most likely used in the target add-on board. There are three groups of communication pins: SPI, UART and I2C. There are also single pins for PWM, Interrupt, Analog input, Reset and Chip Select. Pinout contains two power groups: +5V and GND on one header and +3.3V and GND on the other 1x8 header. mikroBUS™ host connector perfectly fits into standard breadboards.

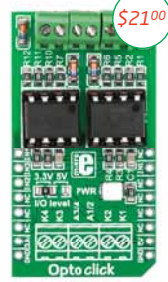


- | | | | |
|--------------|-------------------------|------------|-------------------------------|
| AN | - Analog pin | PWM | - PWM output line |
| RST | - Reset pin | INT | - Hardware Interrupt line |
| CS | - SPI Chip Select line | RX | - UART Receive line |
| SCK | - SPI Clock line | TX | - UART Transmit line |
| MISO | - SPI Slave Output line | SCL | - I ² C Clock line |
| MOSI | - SPI Slave Input line | SDA | - I ² C Data line |
| +3.3V | - VCC-3.3V Power line | +5V | - VCC-5V Power line |
| GND | - Reference Ground | GND | - Reference Ground |

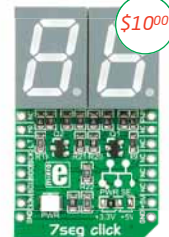
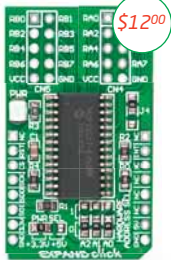


click™

BOOSTER PACK



one SOCKET for ALL click boards



Just place the **Click™** board you need into the innovative new **mikroBUS™** socket and it's ready to work right away. Adding **new functionality** to your **LaunchPad®** was never so easy.



X-ON Electronics

Largest Supplier of Electrical and Electronic Components

Click to view similar products for [Daughter Cards & OEM Boards](#) category:

Click to view products by [MikroElektronika](#) manufacturer:

Other Similar products are found below :

[ADZS-21262-1-EZEXT](#) [27911](#) [SPC56ELADPT144S](#) [TMDXRM46CNCD](#) [DM160216](#) [EV-ADUCM350GPIOHZ](#) [EV-ADUCM350-BIO3Z](#)
[ATSTK521](#) [1130](#) [MA160015](#) [MA180033](#) [MA240013](#) [MA240026](#) [MA320014](#) [MA330014](#) [MA330017](#) [TLK10034SMAEVM](#) [MIKROE-](#)
[2152](#) [MIKROE-2154](#) [MIKROE-2381](#) [TSSOP20EV](#) [DEV-11723](#) [MIKROE-1108](#) [MIKROE-1516](#) [SPS-READER-GEVK](#) [AC244049](#)
[AC244050](#) [AC320004-3](#) [2077](#) [ATSMARTCARD-XPRO](#) [EIC - Q600 -230](#) [ATZB-212B-XPRO](#) [SPC560PADPT100S](#) [SPC560BADPT64S](#)
[MA180018](#) [EIC - Q600 -220](#) [AC164134-1](#) [BOB-12035](#) [STM8/128-D/RAIS](#) [AC164127-6](#) [AC164127-4](#) [AC164134-3](#) [AC164156](#) [MA320021](#)
[MA320024](#) [DFR0285](#) [DFR0312](#) [DFR0356](#) [MA320023](#) [MIKROE-2564](#)