

TFT Proto 7"





Figure 1: TFT Proto 7" board

TFT Proto 7" enables you to easily add a touchscreen display to your design, whether it's a prototype or a final product. It carries a **800x480 px** FRD070IF40-A TFT screen driven by a **SSD1963** graphic controller that has an interface for 8/9/16/24-bit MCUs. An **STMPE811** controller drives the 4-wire resistive touch-panel. The board is lined with two rows of 26 pins with **16 data and 7 control lines** for the graphic controller (including GPIO0 that accesses the deep-sleep mode), plus **I²C lines and an interrupt line for the touchscreen controller**. The board uses a 3.3V power supply only (with pins on each side of the board added for convenience). Mounting holes in each corner simplify integration.

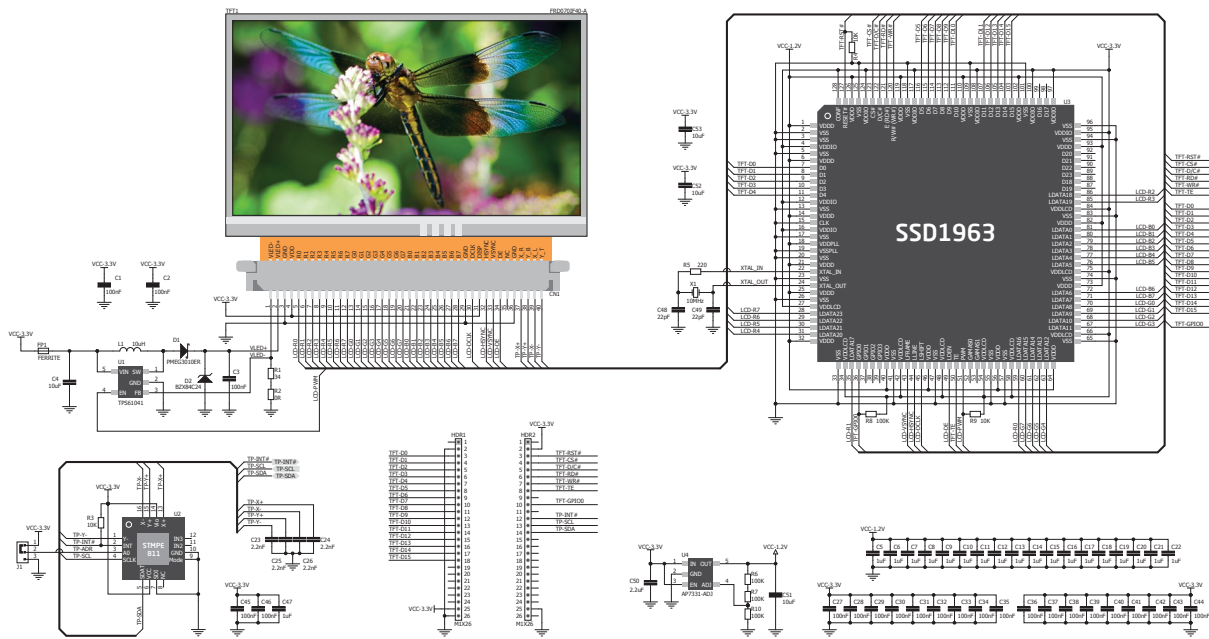


Figure 2: TFT Proto 7" schematic

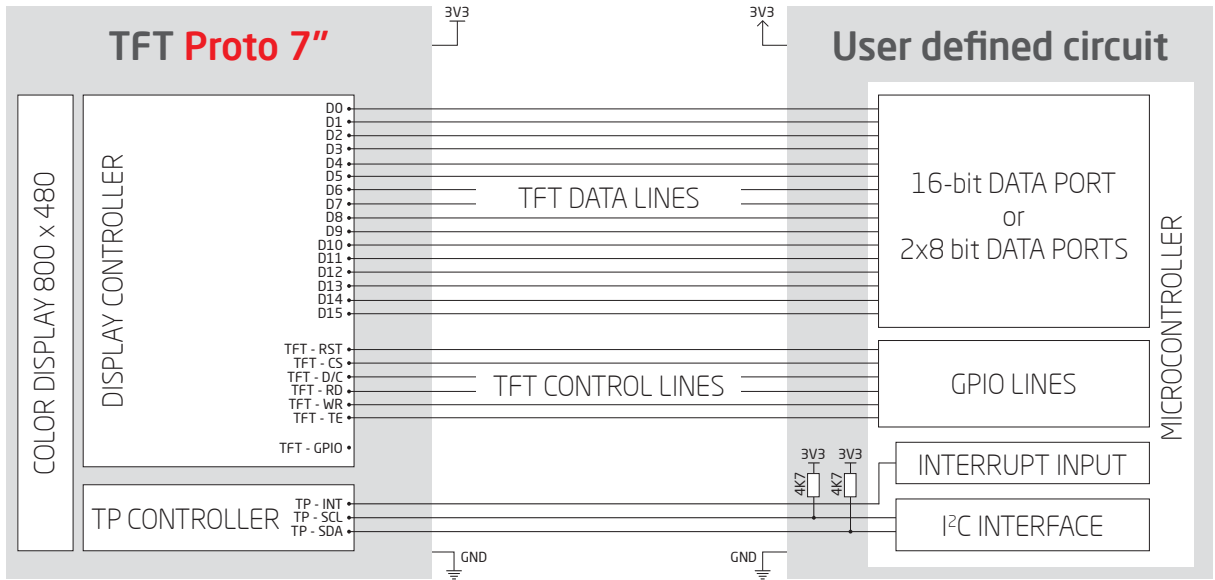


Figure 3: Typical application note

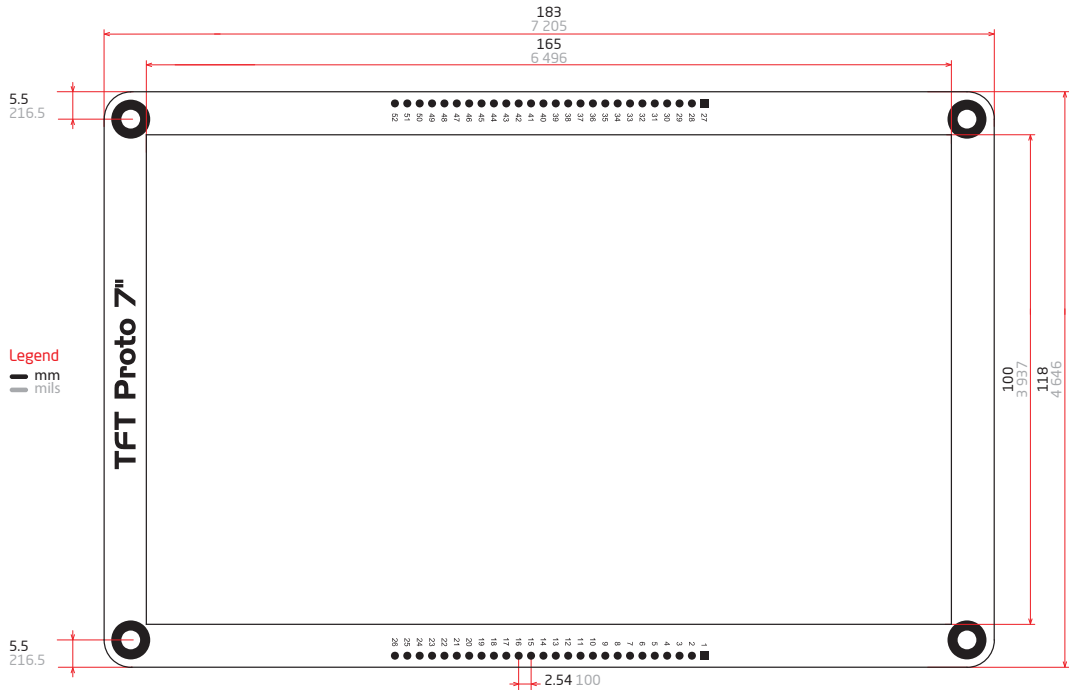


Figure 4: Board dimensions



If you want to learn more about our products, please visit our website at **www.mikroe.com**

If you are experiencing some problems with any of our products or just need additional information, please place your ticket at **www.mikroe.com/support**

If you have any questions, comments or business proposals,
do not hesitate to contact us at **office@mikroe.com**

X-ON Electronics

Largest Supplier of Electrical and Electronic Components

Click to view similar products for [Display Development Tools](#) category:

Click to view products by [MikroElektronika](#) manufacturer:

Other Similar products are found below :

[KIT 60121-3](#) [S5U13U11P00C100](#) [MAX14521EEVKIT](#) [KIT 60145-3](#) [S5U13748P00C100](#) [DFR0413](#) [3248](#) [DLPLCR90EVM](#)
[DLPLCR50XEVM](#) [MAX20069EVKIT#](#) [KIT95000-3](#) [LCD-16396](#) [1109](#) [MCIMX-LVDS1](#) [MIKROE-2449](#) [MIKROE-2453](#) [131](#) [DEV-13628](#)
[1590](#) [MIKROE-2269](#) [1601](#) [1770](#) [1947](#) [1983](#) [1987](#) [2050](#) [2218](#) [2219](#) [2260](#) [2345](#) [2418](#) [2423](#) [2454](#) [2455](#) [2478](#) [2674](#) [SK-220RD-PI](#) [FIT0477](#)
[333](#) [334](#) [TE-M321-SDK](#) [DFR0428](#) [cs-epapersk-03](#) [338](#) [DEV-14442](#) [FIT0478](#) [cs-paperino-01](#) [OM-E-OLE](#) [ALTHSMCMIPILCD](#)
[ASD2421-R](#)