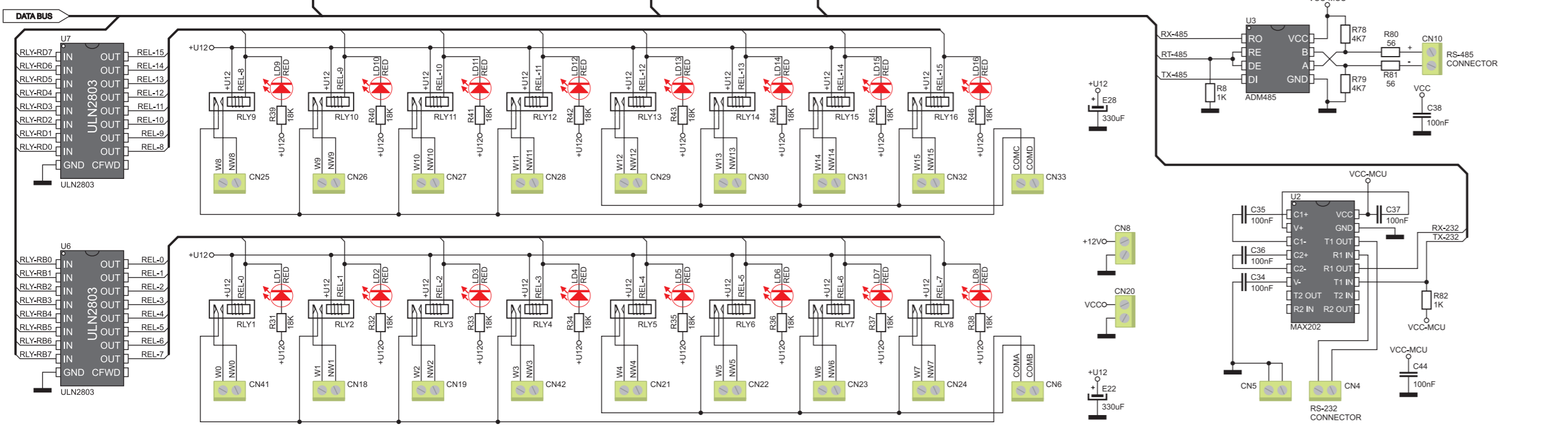


Continuation of schematic



# PICPLC16 v6™

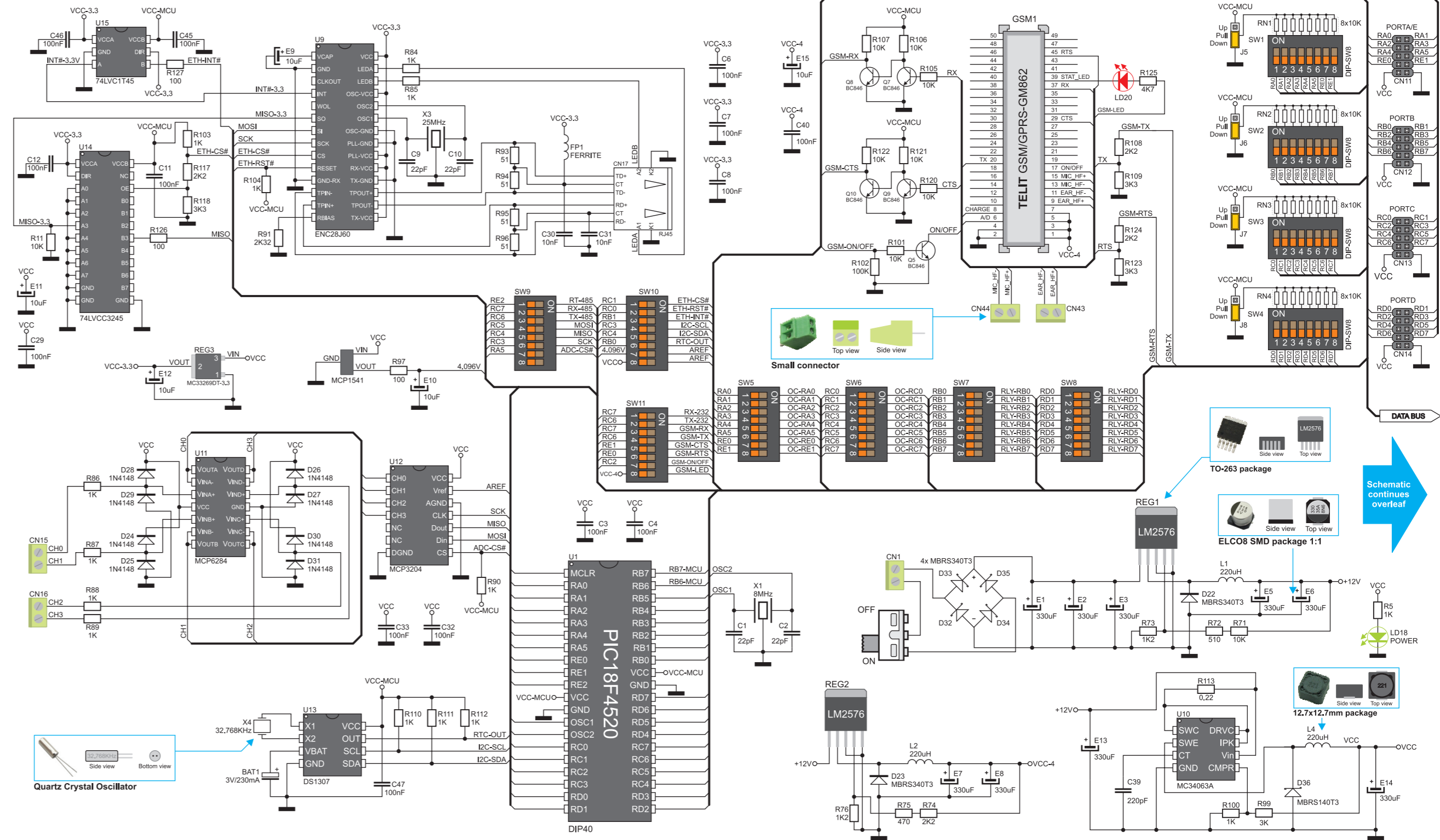
## Electrical schematic

This document provides a complete electrical schematic of the PICPLC16 v6 development system. Such device has been designed carefully and due attention has been paid to choosing components thereof. This is why the most important parts of the system are manufactured in SMD (Surface Mounting Device) technology. Besides, the components are mounted by machines of the last generation using lead-free alloy for soldering. What we have now as a result is a high quality and reliable product that meets the world's highest standards being applied in electronics industry and environmental protection.

# Development system

Built-in SMD component cases overview

 <b>0805</b>	 <b>0805</b>	 <b>ELCO10 SMD</b>	 <b>ELCO10 SMD</b>	 <b>Case B</b>
 <b>Ferrite 1206</b>	 <b>12.7x12.7mm</b>	 <b>IND 1812</b>	 <b>6x6 Push button</b>	 <b>TO-263</b>
 <b>SMD Quartz</b>	 <b>SMD Quartz</b>	 <b>SMA</b>	 <b>PLCC-2 SMD LED</b>	 <b>SMB</b>
 <b>1:1</b> 1.EMITTER 2.BASE 3.COLLECTOR <b>SOT23</b>	 <b>1:1</b> 1.EMITTER 2.BASE 3.COLLECTOR <b>SOT23</b>	 <b>SOIC8</b>	 <b>SOIC16</b>	 <b>TSSOP-24pin</b>
 <b>Relay</b>	 <b>Battery holder</b>	 <b>Small connector</b>	<p>Jumpers and selectors</p> 1 2 All pins are free Pins 1 and 2 are connected Pins 1 and 2 are connected Pins 2 and 3 are disconnected	<p>DIP switches</p> Switches 1, 2, 3 and 4 are ON Switches 5, 6, 7 and 8 are OFF



Schematic continues overleaf

## X-ON Electronics

Largest Supplier of Electrical and Electronic Components

*Click to view similar products for [Development Boards & Kits - PIC/DSPIC](#) category:*

*Click to view products by [MikroElektronika](#) manufacturer:*

Other Similar products are found below :

[S-191](#) [TDGL025](#) [LSD4NBT-B208000001](#) [DV330021](#) [DM160230](#) [DM164141](#) [DM164142](#) [DM164143](#) [DM320010](#) [DM320105](#) [DM320106](#)  
[DM330028](#) [DV161001](#) [DM320008](#) [DM320008-C](#) [DM320010-C](#) [DM330026](#) [MIKROE-2653](#) [MIKROE-2644](#) [MIKROE-2657](#) [MIKROE-](#)  
[2647](#) [MIKROE-2654](#) [MIKROE-2648](#) [MIKROE-2788](#) [MIKROE-1907](#) [410-336](#) [SC70EV](#) [ECC577448EU](#) [ESP32-Audio-Kit](#) [AC103011](#)  
[AC243026](#) [AC323027](#) [ADM00333](#) [ARD00906](#) [DM160228](#) [DM163025-1](#) [DM163030](#) [DM164127-2](#) [DM164130-3](#) [DM164136](#) [DM164137](#)  
[DM164140](#) [DM180021](#) [DM182026](#) [DM183021](#) [DM240001](#) [DM240001-2](#) [DM240001-3](#) [DM240004](#) [DM240011](#)