

## RS485 7 Click



PID: MIKROE-5659

**RS485 7 Click** is a compact add-on board that enables communication over an RS485 network. This board features the [THVD1424](#), a full duplex RS485 transceiver with a selectable data rate from [Texas Instruments](#). The THVD1424 offers several pin-controlled features, including an on-chip 120Ω termination resistor, slew rate control, and the ability to switch between half and full duplex mode. With its high immunity to IEC Contact Discharge ESD events, the bus pins require no additional system-level protection components. Additionally, the chip is known for its low power consumption and glitch-free power-up/power-down functionality, which enables hot plug-in capability. This Click board™ is suitable for industrial and multi-point applications over long cable runs.

RS485 7 Click is supported by a [mikroSDK](#) compliant library, which includes functions that simplify software development. This [Click board™](#) comes as a fully tested product, ready to be used on a system equipped with the [mikroBUS™](#) socket.

### How does it work?

RS485 7 Click is based on the THVD1424, a flexible RS-485 transceiver from Texas Instruments for asynchronous data transmissions. The THVD1424 has two termination resistors of nominal 120Ω, one across Y/Z and another across A/B. Both termination resistors are enabled or disabled using pins RET and TET pins of the mikroBUS™ socket, routed to the default positions of PWM and INT pins of the mikroBUS™ socket. Both termination resistors can be enabled or disabled, independent of the state of the driver or receiver. Termination is OFF if the device is unpowered or in thermal shutdown. Internal ESD protection circuits protect the transceiver against Electrostatic Discharges (ESD) according to IEC 61000-4-2 of up to ±8kV (Contact Discharge), ±15kV (Air Gap Discharge), and against electrical-fast-transients (EFT) according to

Mikroe produces entire development toolchains for all major microcontroller architectures.

Committed to excellency, we are dedicated to helping engineers bring the project development up to speed and achieve outstanding results.

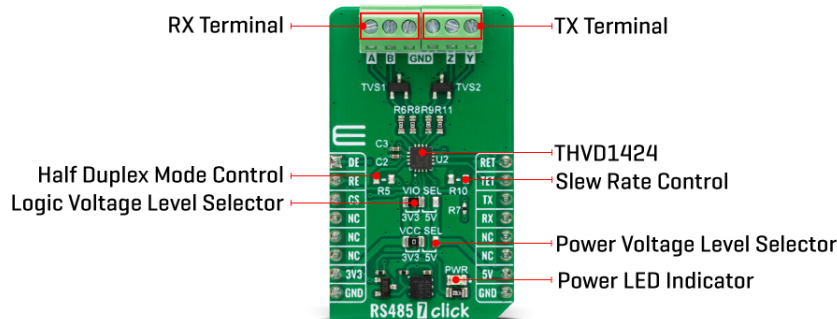


ISO 27001: 2013 certification of informational security management system.  
 ISO 14001: 2015 certification of environmental management system.  
 OHSAS 18001: 2008 certification of occupational health and safety management system.



ISO 9001: 2015 certification of quality management system (QMS).

IEC 61000-4-4 of up to  $\pm 4kV$ .



The THVD1424 RS-485 transceiver can be used in half-duplex or full-duplex RS-485 networks by populating an onboard R5 resistor. Full duplex mode is the default state of this board (with unpopulated R5 resistor), where Y and Z terminal pins are driver output pins, and A/B pins are receiver input pins. By populating the R5 resistor, Half duplex mode is activated where the driver and receiver share the same bus pins (Y/Z pins are both driver and receiver pins). The device state is then controlled via two mikroBUS™ pins labeled DE and RE (driver and receiver enable/disable), routed to the default positions of the AN and RST pins of the mikroBUS™ socket.

The THVD1424 can also be used in slow-speed or fast-speed RS485 networks by populating a slew rate control R10 resistor. By default, with the R10 resistor unpopulated, the maximum speed of operation for both driver and receiver is 20Mbps. By populating it, the maximum speed of operation for both driver and receiver is 500kbps, where the receiver path has an additional noise filtering feature enabled. The THVD1424 also has built-in protection features such as supply undervoltage, bus short-circuit, and thermal shutdown.

This Click board™ can operate with either 3.3V or 5V logic voltage levels selected via the VIO SEL jumper. This way, both 3.3V and 5V capable MCUs can use the communication lines properly. Also, the main power supply of the RS485 transceiver can be selected between 3.3V or 5V voltage levels selected via the VCC SEL jumper. The wide common-mode voltage range and low input leakage on bus pins make this Click board™ suitable for multi-point applications over long cable runs. However, the Click board™ comes equipped with a library containing easy-to-use functions and an example code that can be used, as a reference, for further development.

## Specifications

Type	RS485
Applications	Can be used for industrial and multi-point applications over long cable runs
On-board modules	THVD1424 - full duplex RS485 transceiver from Texas Instruments
Key Features	Highly flexible, selectable power and logic voltage levels, configurable half and full

Mikroe produces entire development toolchains for all major microcontroller architectures.

Committed to excellency, we are dedicated to helping engineers bring the project development up to speed and achieve outstanding results.



ISO 27001: 2013 certification of informational security management system.  
 ISO 14001: 2015 certification of environmental management system.  
 OHSAS 18001: 2008 certification of occupational health and safety management system.




ISO 9001: 2015 certification of quality management system (QMS).

	duplex mode, pin-configurable 120Ω termination resistor on bus pins, configurable data rate, bus I/O protection, low power consumption, glitch-free power-up/power-down for hot plug-in capability, protection features, and more
Interface	GPIO,UART
Feature	ClickID
Compatibility	mikroBUS™
Click board size	M (42.9 x 25.4 mm)
Input Voltage	3.3V or 5V

## Pinout diagram

This table shows how the pinout on RS485 7 Click corresponds to the pinout on the mikroBUS™ socket (the latter shown in the two middle columns).

Notes	Pin					Pin	Notes
Driver Enable	<b>DE</b>	1	AN	PWM	16	<b>RET</b>	RX Termination Control
Receiver Enable	<b>RE</b>	2	RST	INT	15	<b>TET</b>	TX Termination Control
	NC	3	CS	RX	14	<b>TX</b>	UART TX
	NC	4	SCK	TX	13	<b>RX</b>	UART RX
	NC	5	MISO	SCL	12	NC	
	NC	6	MOSI	SDA	11	NC	
Power Supply	<b>3.3V</b>	7	3.3V	5V	10	<b>5V</b>	Power Supply
Ground	<b>GND</b>	8	GND	GND	9	<b>GND</b>	Ground

## Onboard settings and indicators

Label	Name	Default	Description
LD1	PWR	-	Power LED Indicator
JP1	VCC SEL	Left	Power Voltage Level Selection 3V3/5V: Left position 3V3, Right position 5V
JP2	VIO SEL	Left	Logic Voltage Level Selection 3V3/5V: Left position 3V3, Right position 5V
R5	R5	Unpopulated	Half Duplex Mode Control Jumper
R10	R10	Unpopulated	Slew Rate Control Jumper

## RS485 7 Click electrical specifications

Description	Min	Typ	Max	Unit
Supply Voltage	3.3	-	5	V

Mikroe produces entire development toolchains for all major microcontroller architectures.

Committed to excellency, we are dedicated to helping engineers bring the project development up to speed and achieve outstanding results.



ISO 27001: 2013 certification of informational security management system.  
 ISO 14001: 2015 certification of environmental management system.  
 OHSAS 18001: 2008 certification of occupational health and safety management system.



ISO 9001: 2015 certification of quality management system (QMS).

Data Rate	0.5	-	20	Mbps
ESD Protection	-	±8	-	kV

## Software Support

We provide a library for the RS485 7 Click as well as a demo application (example), developed using MIKROE [compilers](#). The demo can run on all the main MIKROE [development boards](#).

Package can be downloaded/installed directly from NECTO Studio Package Manager(recommended way), downloaded from our [LibStock™](#) or found on [Mikroe github account](#).

## Library Description

This library contains API for RS485 7 Click driver.

Key functions

- rs4857\_receiver\_enable RS485 7 enables the receiver function.
- rs4857\_driver\_enable RS485 7 enables the driver function.

## Example Description

This example reads and processes data from RS485 7 clicks. The library also includes a function for enabling/disabling the receiver or driver and data writing or reading.

The full application code, and ready to use projects can be installed directly from NECTO Studio Package Manager(recommended way), downloaded from our [LibStock™](#) or found on [Mikroe github account](#).

Other Mikroe Libraries used in the example:

- MikroSDK.Board
- MikroSDK.Log
- Click.RS4857

## Additional notes and informations

Depending on the development board you are using, you may need [USB UART click](#), [USB UART 2 Click](#) or [RS232 Click](#) to connect to your PC, for development systems with no UART to USB interface available on the board. UART terminal is available in all MIKROE [compilers](#).

## mikroSDK

This Click board™ is supported with [mikroSDK](#) - Mikroe Software Development Kit, that needs to be downloaded from the [LibStock](#) and installed for the compiler you are using to ensure proper operation of mikroSDK compliant Click board™ demo applications.

For more information about mikroSDK, visit the [official page](#).

## Resources

Mikroe produces entire development toolchains for all major microcontroller architectures.

Committed to excellency, we are dedicated to helping engineers bring the project development up to speed and achieve outstanding results.



ISO 27001: 2013 certification of informational security management system.  
 ISO 14001: 2015 certification of environmental management system.  
 OHSAS 18001: 2008 certification of occupational health and safety management system.



ISO 9001: 2015 certification of quality management system (QMS).

[mikroBUS™](#)

[mikroSDK](#)

[Click board™ Catalog](#)

[Click boards™](#)

[ClickID](#)

## Downloads

[RS485 7 click example on Libstock](#)

[RS485 7 click 2D and 3D files](#)

[THVD1424 datasheet](#)

[RS485 7 click schematic](#)

Mikroe produces entire development toolchains for all major microcontroller architectures.

Committed to excellency, we are dedicated to helping engineers bring the project development up to speed and achieve outstanding results.



ISO 27001: 2013 certification of informational security management system.  
ISO 14001: 2015 certification of environmental management system.  
OHSAS 18001: 2008 certification of occupational health and safety management system.



ISO 9001: 2015 certification of quality management system (QMS).

## X-ON Electronics

Largest Supplier of Electrical and Electronic Components

*Click to view similar products for [Interface Development Tools](#) category:*

*Click to view products by [MikroElektronika](#) manufacturer:*

Other Similar products are found below :

[CY4607M](#) [XR17V358/SP339-E8-EB](#) [TW-DONGLE-USB](#) [XR21B1424IV64-0A-EVB](#) [P0551](#) [5346](#) [SI32185ACB10SL1KIT](#)  
[RAA2S4252EXT](#) [4901](#) [DFR0979](#) [LIME2-SHIELD](#) [EM01-D](#) [USB TO TTL](#) [USB TO RS485](#) [USB-CAN-A](#) [MIKROE-5492](#)  
[RTKH4Z2501S00000BE](#) [5956](#) [5964](#) [103030295](#) [MIKROE-2335](#) [KIT\\_MINIWIGGLER\\_3\\_USB](#) [KITXMC4XCOMETH001TOBO1](#)  
[SI871XSOIC8-KIT](#) [1764](#) [1833](#) [1862](#) [ZSC31010KITV2.1](#) [EVB-USB82514](#) [ATAB663231A-V1.2](#) [ATAB663254A-V1.2](#) [2264](#)  
[MCP23X17EV](#) [PS09-EVA-KIT](#) [MAX96708COAXEVKIT#](#) [MAXPOWERTOOL002#](#) [SMA2RJ45EVK/NOPB](#) [FR12-0002](#) [MAFR-000667-](#)  
[000001](#) [MAFR-000589-000001](#) [MAFR-000553-000001](#) [BOB-13263](#) [BP359C](#) [ORG4572-R01-UAR](#) [XR21B1422IL40-0A-EVB](#)  
[XR21B1420IL28-0A-EVB](#) [284](#) [SKYFR-000743](#) [SKYFR-000827](#) [SKYFR-000982](#)