

BIG8051™

User manual

All MikroElektronika's development systems represent irreplaceable tools for programming and developing microcontroller-based devices. Carefully chosen components and the use of machines of the last generation for mounting and testing thereof are the best guarantee of high reliability of our devices. Due to simple design, a large number of add-on modules and ready to use examples, all our users, regardless of their experience, have the possibility to develop their project in a fast and efficient way.

Development system

 **MikroElektronika**

SOFTWARE AND HARDWARE SOLUTIONS FOR EMBEDDED WORLD ...making it simple

TO OUR VALUED CUSTOMERS

I want to express my thanks to you for being interested in our products and for having confidence in Mikroelektronika.

The primary aim of our company is to design and produce high quality electronic products and to constantly improve the performance thereof in order to better suit your needs.



Nebojsa Matic
General Manager

TABLE OF CONTENTS

General information	4
Key features	5
1.0. Connecting the development system to a power supply source	6
2.0. C8051F040 microcontroller	7
3.0. Programming microcontroller	8
4.0. Ethernet module	9
5.0. Piezo buzzer	10
6.0. DS1820 temperature sensor	11
7.0. USB UART module	12
8.0. RS-232 modules	13
9.0. CAN module	14
10.0. ZigBee module	15
11.0. MMC/SD connector	16
12.0. Comparator	17
13.0. ADC module	18
14.0. DAC module	19
15.0. Memory modules	20
16.0. LEDs	22
17.0. Push buttons	23
18.0. 2x16 LCD display	24
19.0. 128x64 graphic LCD display	25
20.0. Touch panel	26
21.0. I/O ports	27

General information

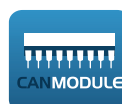
The *BIG8051* development system provides a development environment for programming and experimenting with 8051 microcontrollers from Silicon Laboratories®. Numerous modules, such as 128x64 graphic LCD display, 2x16 alphanumeric LCD display, piezo buzzer, CAN, ZigBee, etc, are provided on the board and allow you to easily simulate the operation of your target device.



Full-featured development system for 8051 microcontroller based devices



Analog to digital conversion of voltage signal



CAN communication module



Access to LAN network

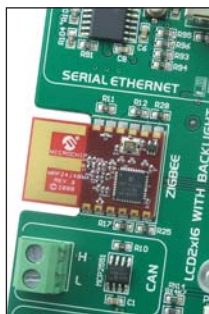


Graphic LCD display with backlight



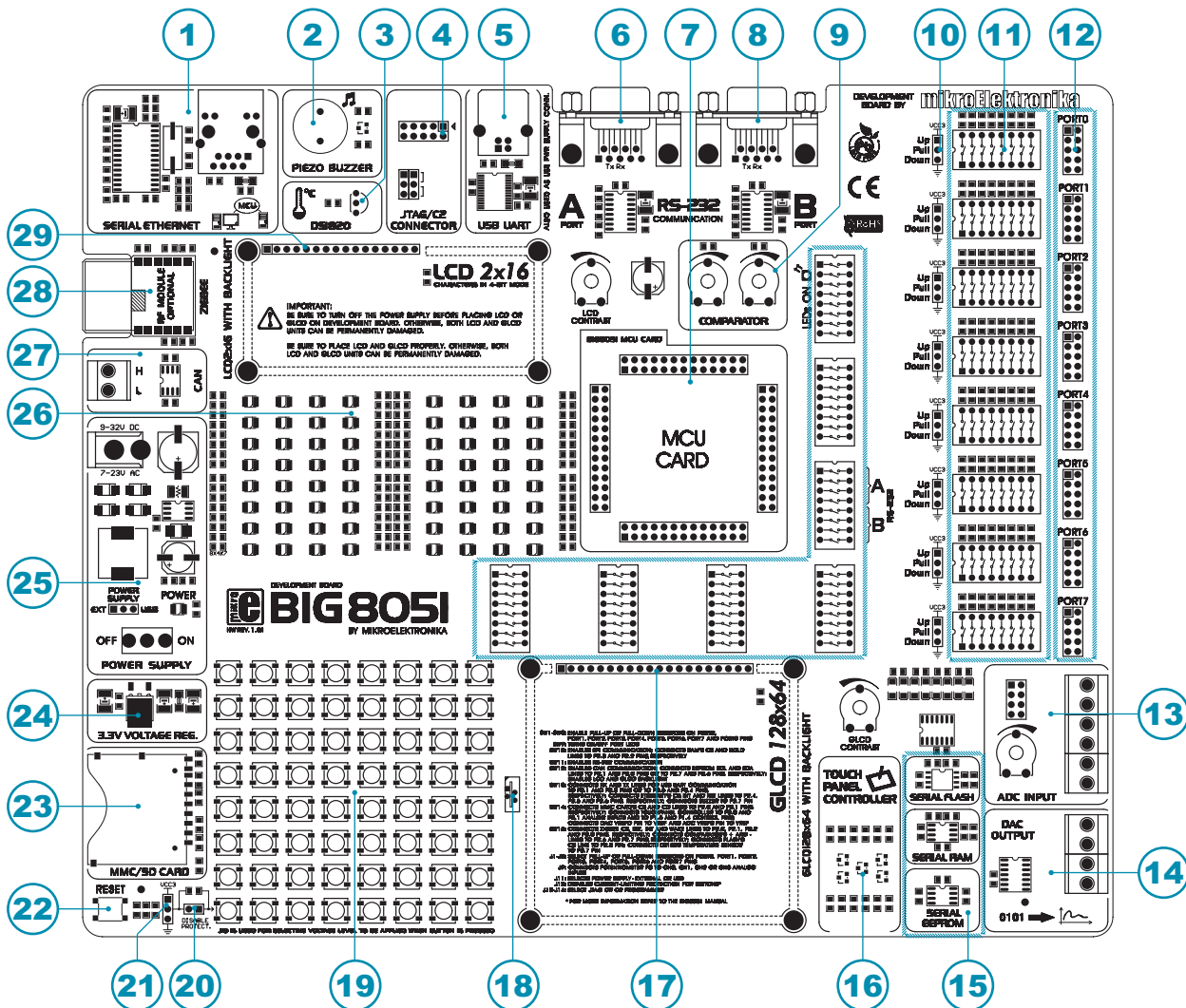
Package contains:

Development system: BIG8051
 CD: product CD with relevant software
 Cables: USB cable
 Documentation: Manual for BIG8051 and electrical schematic of the development system



System specification:

Power supply: over AC/DC connector (7-23V AC or 9-32V DC) or a USB cable (5V DC)
 Power consumption: 50mA when all on-board modules are off
 Dimensions: 26,5 x 22cm (10,4 x 8,6inch)
 Weight: ~420g (0.92lbs)



Key features

1. Ethernet module
2. Piezo buzzer
3. Connector for temperature sensor
4. Connector for programmer
5. USB UART module also used as a USB power supply connector
6. RS-232A module
7. Connector for MCU card
8. RS-232B module
9. Comparator
10. Jumpers used to select pull-up/pull-down resistors
11. DIP switches used to turn on pull-up/pull-down resistors
12. I/O ports
13. A/D converter inputs
14. D/A converter outputs
15. Memory modules
16. Touch panel controller
17. Connector for GLCD display
18. Connector for touch panel
19. Push buttons
20. Jumper used to shorten protective resistor
21. Jumper used to select push buttons' logic state
22. Reset button
23. Connector for MMC/SD cards
24. 3.3V voltage regulator
25. Power supply module
26. LEDs
27. CAN module
28. ZigBee module
29. Connector for LCD display

1.0. Connecting the development system to a power supply

In order to enable the development system to be turned on, it is necessary to provide the power supply voltage over an AC/DC connector CN19, Figure 1-1.

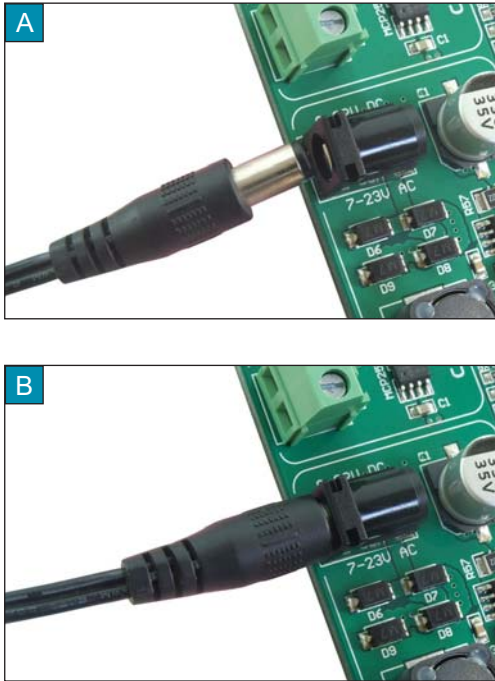


Figure 1-1: Providing power supply voltage

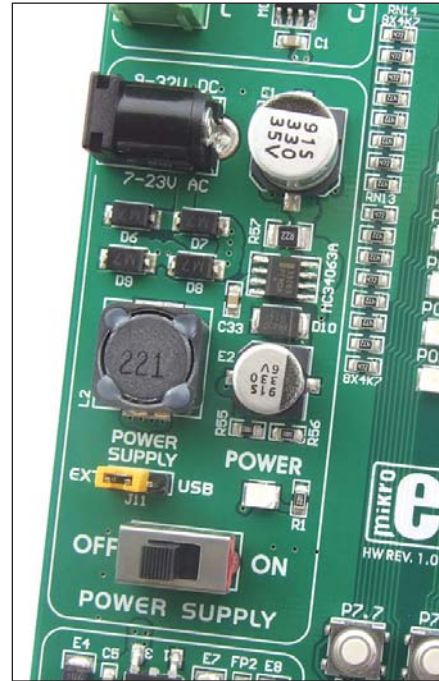


Figure 1-2: Power supply module

The power supply voltage provided via the CN19 AC/DC connector may be in a range between 9 and 32V DC or 7 and 23V AC. Before you turn the development system on, it is necessary to place jumper J11 in the EXT position.

When the development system is powered, it is necessary to set switch marked POWER SUPPLY to the ON position. As soon as the development system is turned on, a green LED marked POWER will automatically illuminate.

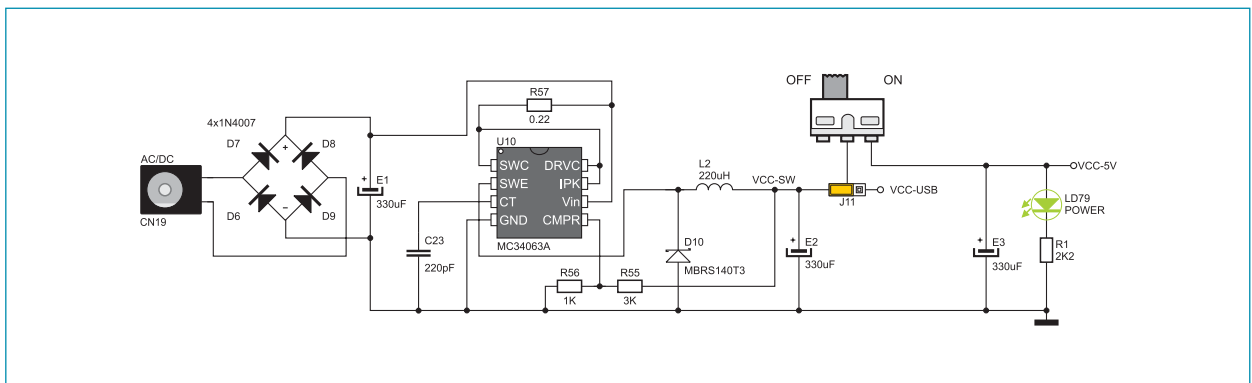


Figure 1-3: Power supply module connection schematic

2.0. C8051F040 microcontroller

The *BIG8051* development system comes with a 100-pin microcontroller C8051F040 in TQFP package. The microcontroller is soldered on the MCU card. It's key features are as follows:

- Pipelined instruction architecture executes 70% of instruction set in 1 or 2 system clocks;
- Up to 25 MIPS throughput with 25 MHz clock;
- 4352 bytes internal data RAM (4 k + 256);
- 64 kB Flash; in-system programmable in 512-byte sectors;
- Bosch Controller Area Network (CAN 2.0B), hardware SMBus™ (I2C™ Compatible), SPI™, and two UART serial ports available concurrently;
- Internal calibrated programmable oscillator: 3 to 24.5 MHz; etc.

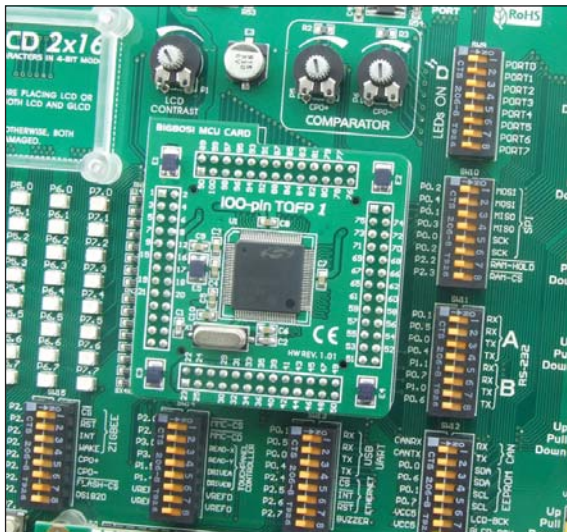


Figure 2-1: Microcontroller C8051F040

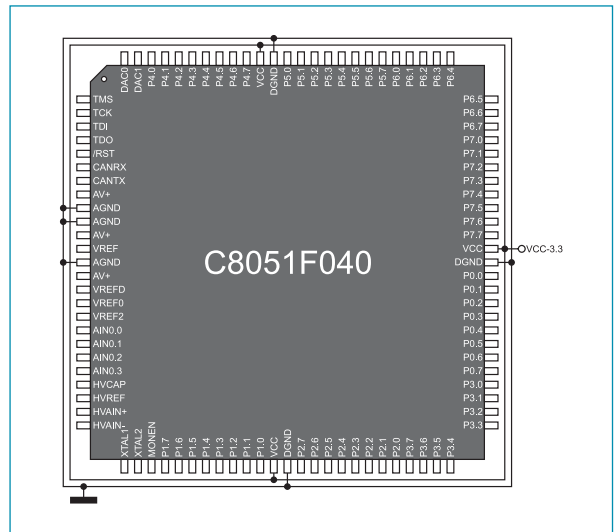


Figure 2-2: Microcontroller's pinout

The microcontroller provided on the development system can be easily replaced with another one. When choosing another microcontroller, it is very important to compare its and C8051F040's pinouts to make sure that they are compatible. If you use a microcontroller with different pinout, some on-board modules will probably not work. Anyway, if you decide to use another microcontroller, it is also necessary to provide an MCU card to solder the new microcontroller on.

page 3.0. Programming microcontroller

The C8051F040 microcontroller provided on the development system is programmed with a USB DEBUG ADAPTER that comes with the development system, Figure 3-1.



Figure 3-1: JTAG programmer

Before you start programming, it is necessary to turn the development system on. The external programmer is connected to the development system via a 2x5 connector CN23, Figure 3-4. In order to enable the JTAG programmer, jumpers J13 and J14 should be placed in the JTAG position, Figure 3-2A. In case the C2 programmer is used, jumpers 13 and J14 should be placed in the C2 position, Figure 3-2B.

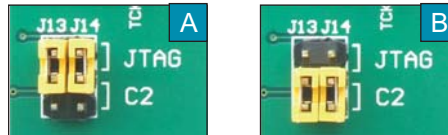


Figure 3-2: Position of jumpers 13 and 14



Figure 3-3: Connector for programmer

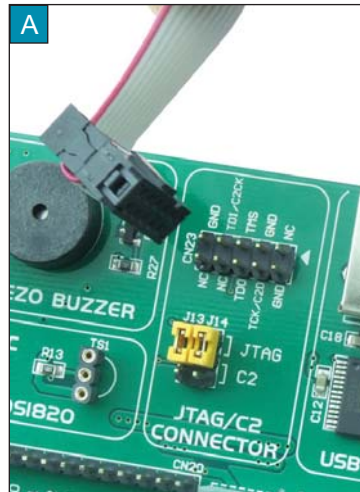
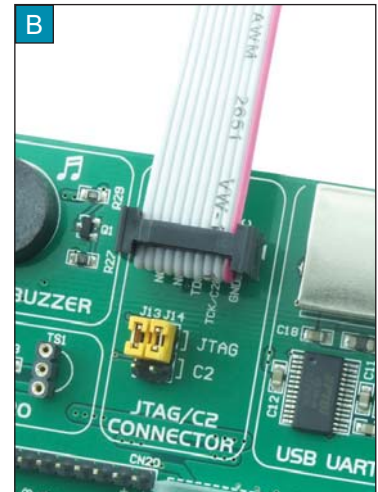


Figure 3-4: Connecting JTAG programmer with the development system



4.0. Ethernet module

The Ethernet module enables the development system to access the LAN network via the RJ45 connector. The operation of the Ethernet module is in compliance with the IEEE 802.3 standard. Communication between this module and the microcontroller is performed via the Serial Peripheral Interface (SPI). In order to enable the Ethernet module to be connected to the microcontroller, switches 1, 3 and 5 (optionally 2, 4 and 6) on the DIP switch SW10 as well as switches 5, 6 and 7 on the DIP switch SW13 should be set to the ON position, Figure 4-3.



Figure 4-1: Ethernet module

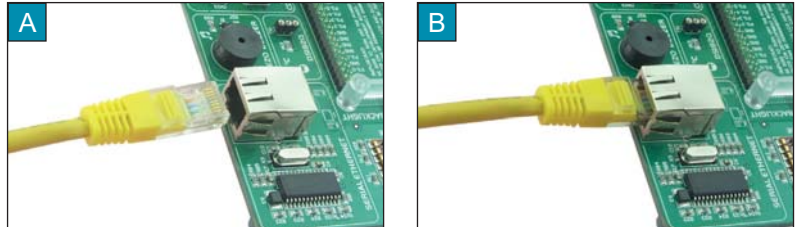


Figure 4-2: Connecting ethernet cable

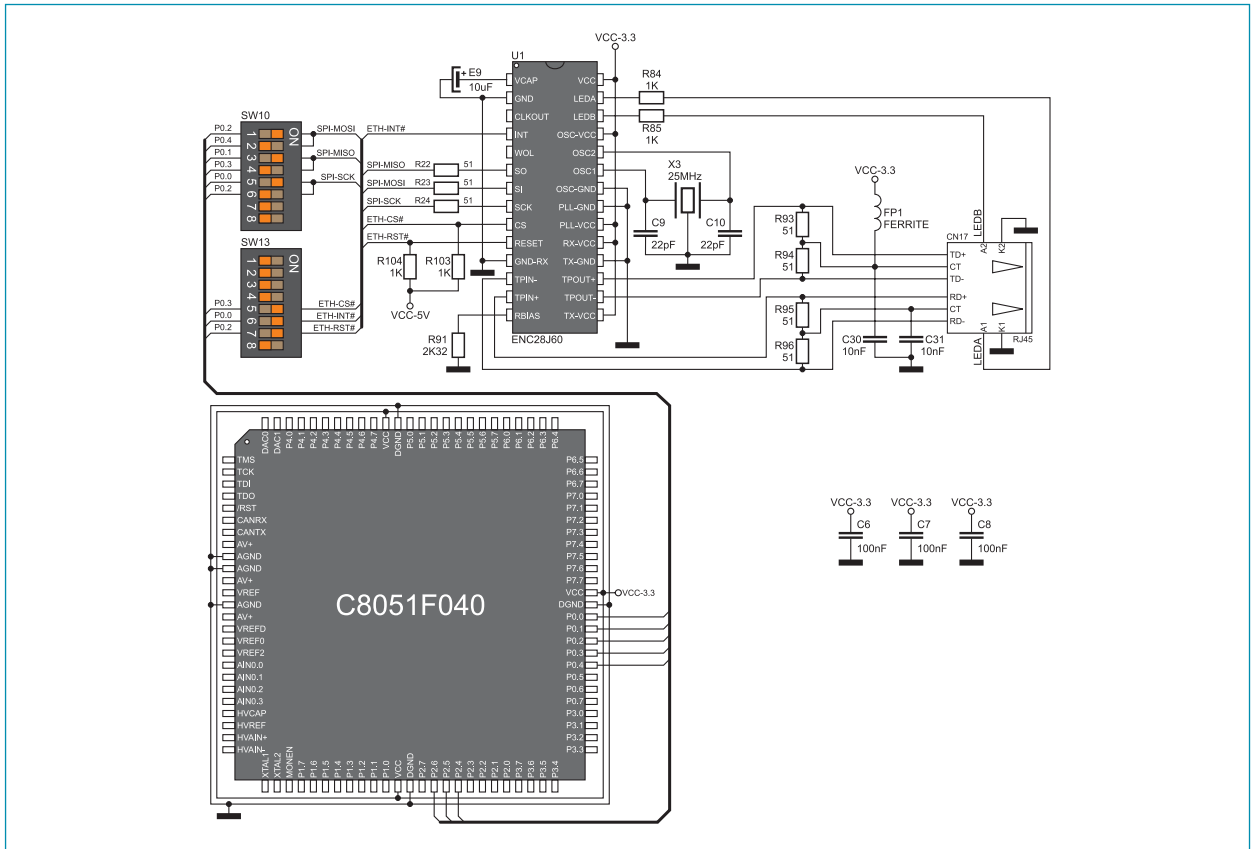


Figure 4-3: Ethernet module connection schematic

6.0. DS1820 temperature sensor

1-wire® serial communication enables data to be transferred over one single communication line, while the process itself is under control of the *master* microcontroller. The advantage of this communication is that only one microcontroller pin is used. All *slave* devices have a unique ID code, which enables the *master* device to easily identify all devices sharing the same communication bus.

DS1820 is a temperature sensor that uses 1-wire communication for its operation. It is used to measure temperature in a range between -55 and 125°C and provides ±0.5°C accuracy for temperatures in a range between -10 and 85°C. The power supply voltage of 3V to 5.5V is used for the operation of this sensor. It takes maximum 750ms for the DS1820 to convert temperature with 9-bit resolution. There is a socket for this temperature sensor provided on the *BIG8051* development system. Communication between this module and the microcontroller is enabled via the microcontroller pin P2.7. To establish communication between them, it is also necessary to set switch 8 on the DIP switch SW15 to the ON position.



Figure 6-1: DS1820 connector (DS1820 is not connected)



Figure 6-2: Temperature sensor DS1820 is connected

NOTE:
Make sure that the rounded side of the DS1820 matches half-circle on the board



Figure 6-3: Switch 8 on the DIP switch SW15 is in ON position, DS1820 is connected to the P2.7 pin

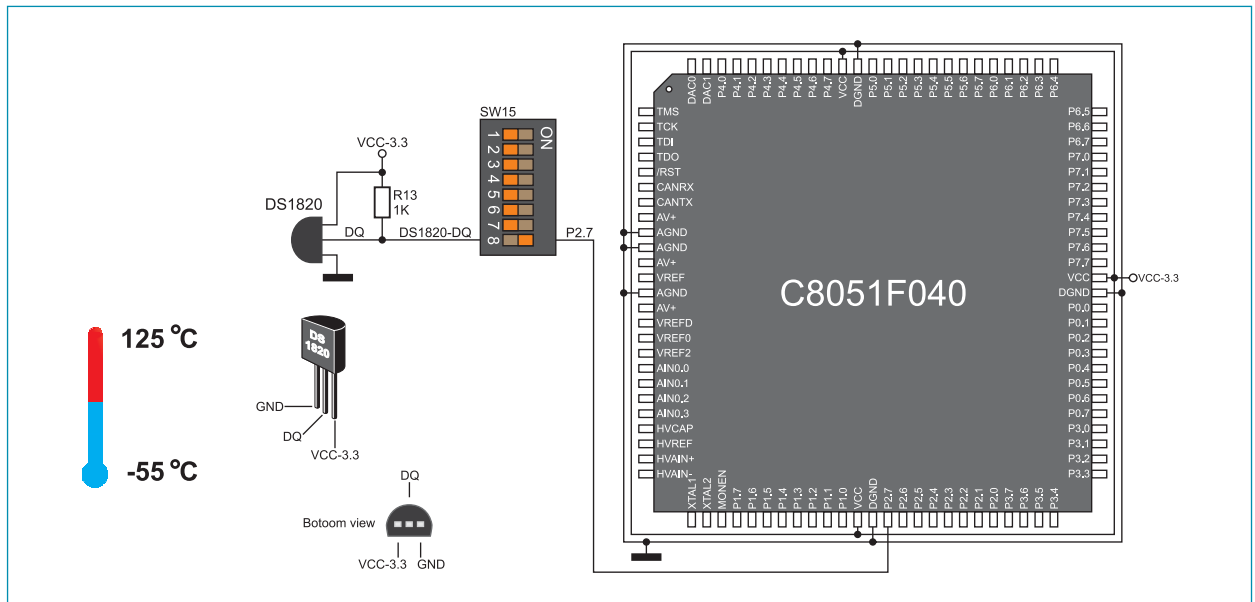


Figure 6-4: DS1820 and microcontroller connection schematic

7.0. USB UART module

The USB UART module is used to connect the microcontroller provided on the development system to external USB devices. In order to establish connection between the microcontroller and USB UART module, it is necessary to set switches 1 and 3 (optionally 2 and 4) on the DIP switch SW13 to the ON position. The *BIG8051* development system can also be powered via the USB connector for USB UART module. In this case, it is necessary to switch position of jumper J11 from EXT to USB.

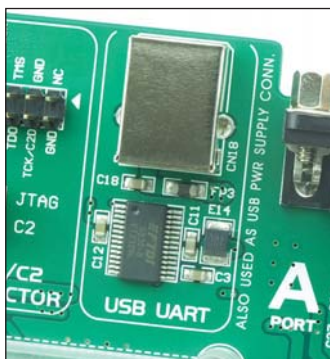


Figure 7-1: USB UART module

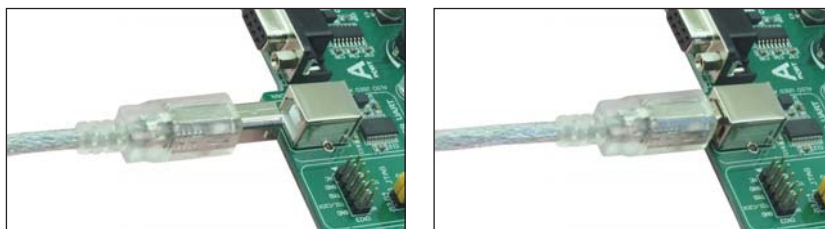


Figure 7-2: Connecting USB cable

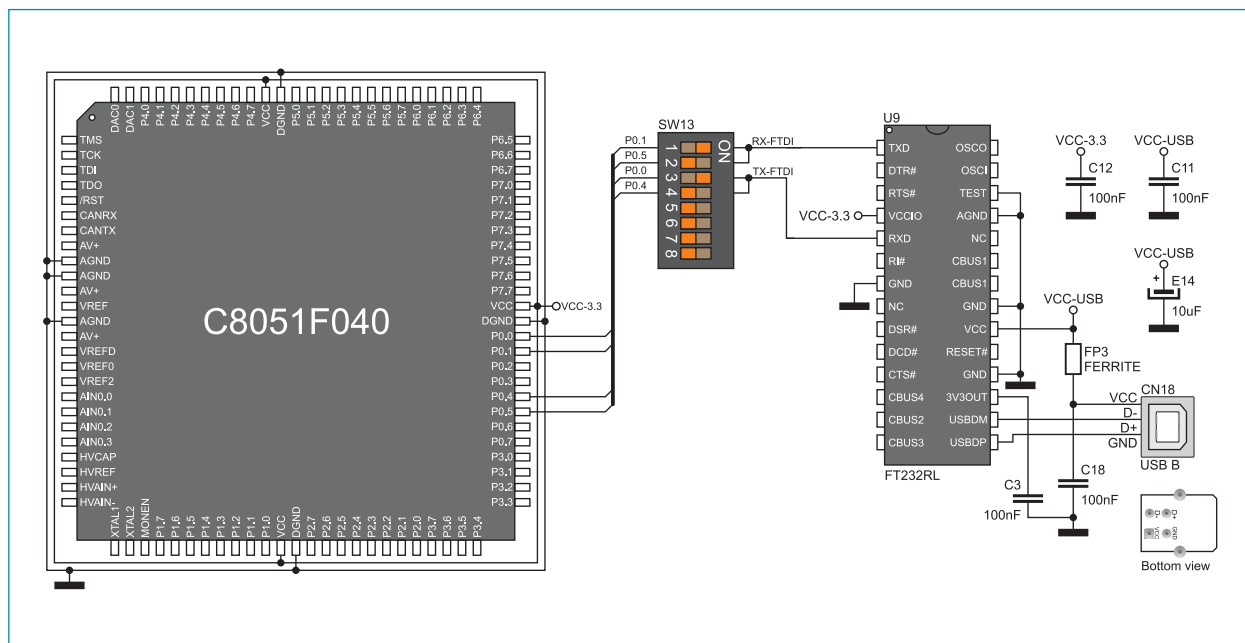


Figure 7-3: USB connector and microcontroller connection schematic

8.0. RS-232 modules

The RS-232 modules enable the development system to communicate to external devices whose operation is in compliance with the RS-232 standard. The *BIG8051* development system features two RS-232 modules that operate independently. To connect the RS-232A module and the microcontroller, switches 1 and 3 (optionally 2 and 4) on the DIP switch SW11 should be set to the ON position. Similarly, to connect the RS-232B module and the microcontroller, switches 5 and 7 (optionally 6 and 8) on the DIP switch SW11 should be set to the ON position.

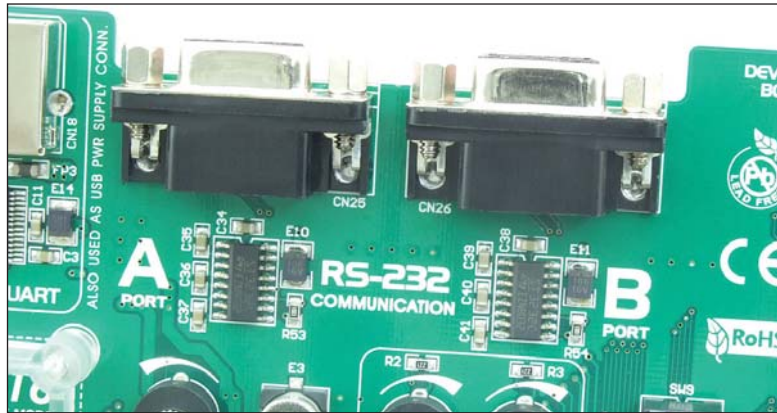


Figure 8-1: RS-232 module

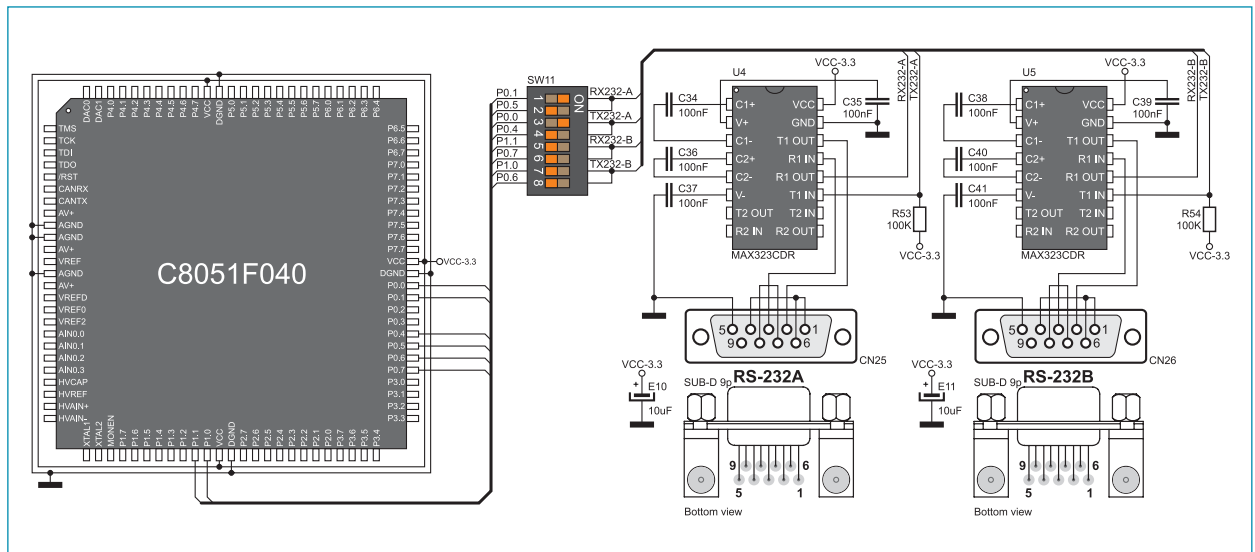


Figure 8-2: RS-232 module connection schematic

9.0. CAN module

CAN (Controller Area Network) is a communication standard primarily intended for use in automotive industry. It enables the microcontroller to communicate to a device installed in cars without using a host PC. In addition, this communication is widely used in industrial automation. The *BIG8051* development system features CAN module used for communication with CAN devices. To establish connection between this module and the microcontroller, it is necessary to set switches 1 and 2 on the DIP switch SW12 to the ON position.

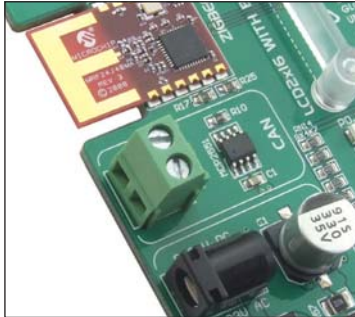


Figure 9-1: CAN module

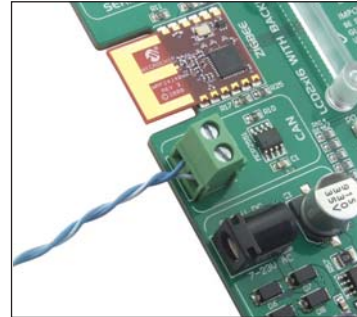


Figure 9-2: CAN module connector

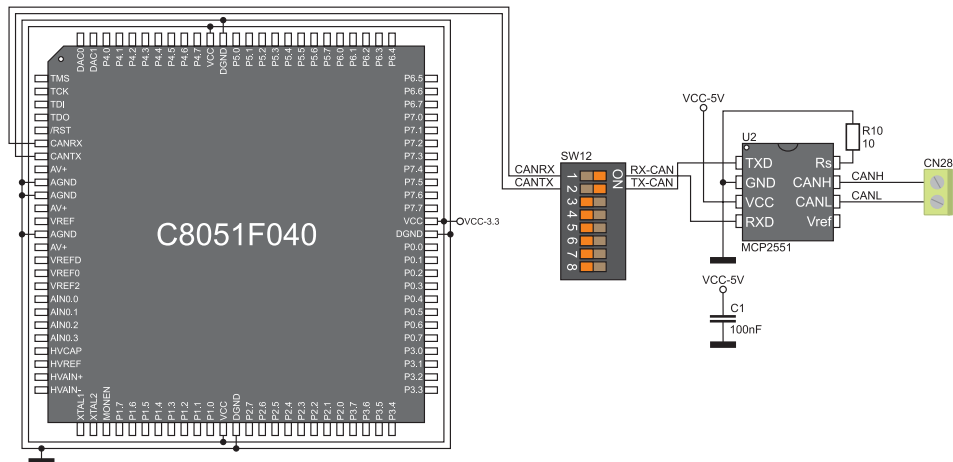


Figure 9-3: CAN module and microcontroller connection schematic

10.0. ZigBee module

The *BIG8051* development system enables you to connect the ZigBee module that is used for wireless communication. Communication between this module and the microcontroller is performed via the Serial Peripheral Interface (SPI). To enable communication between them, it is necessary to set switches 1, 3 and 5 (optionally 2, 4 and 6) on the DIP switch SW10, as well as switches 1, 2, 3 and 4 on the DIP switch SW15 to the ON position.

The operation of the ZigBee module is in compliance with the IEEE 802.15.4-2003 standard related to wireless data transfer on short distances with low-power consumption. The MRF24J40MA ZigBee modul is used on the *BIG8051* development system. Some of its key features are: up to 250kbps baud rate, 2.4GHz operating frequency, ~20mA power consumption, up to 400m coverage, etc.



Figure 10-1: MRF24J40MA ZigBee module



Figure 10-2: Connector for ZigBee module

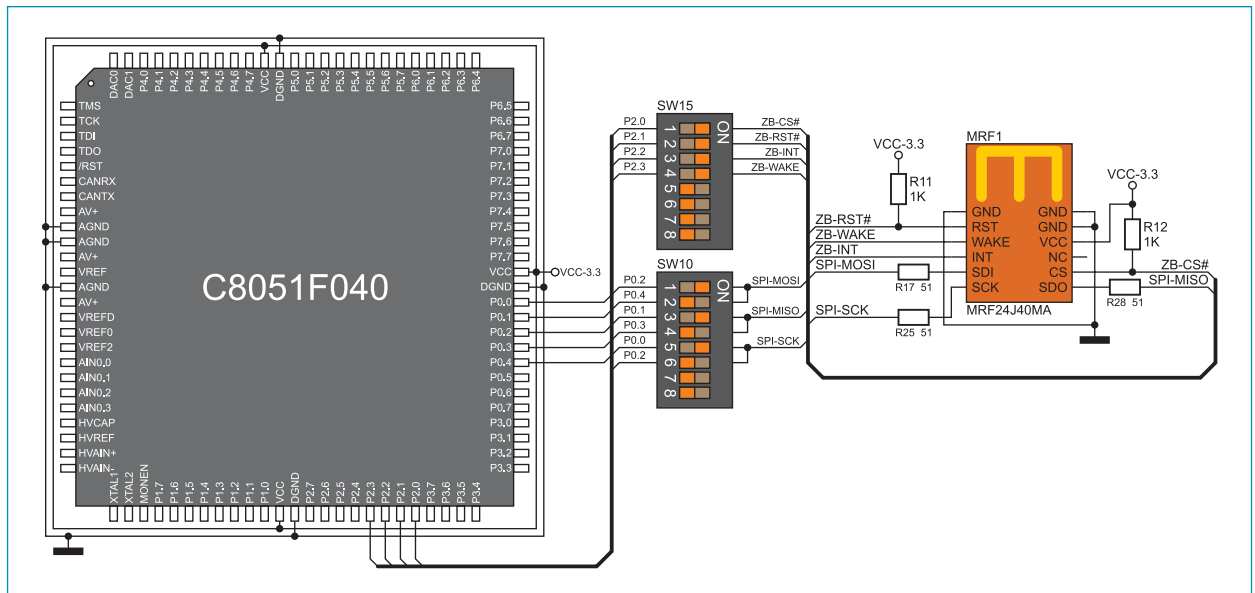


Figure 10-3: ZigBee module connection schematic

11.0. MMC/SD connector

The *BIG8051* development system is capable of reading memory cards due to the on-board MMC/SD connector. Memory card communicates with the microcontroller through the microcontroller pins used for serial communication. In order to establish connection between MMC/SD cards and the microcontroller, it is necessary to set switches 1, 3 and 5 (optionally 2, 4 and 6) on the DIP switch SW10, as well as switches 1 and 2 on the DIP switch SW14 to the ON position.

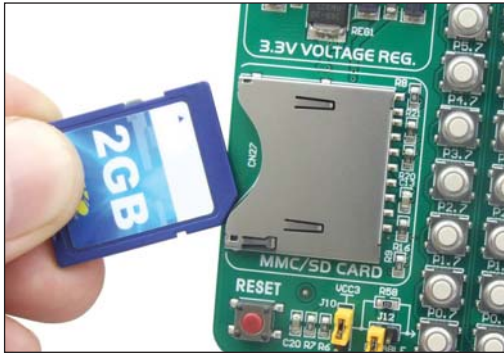


Figure 11-1: MMC/SD memory card

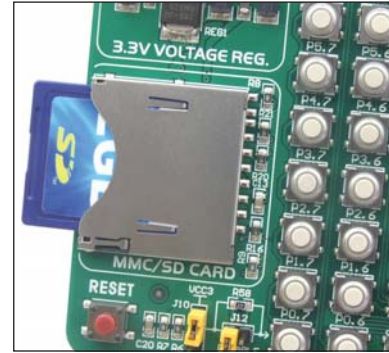


Figure 11-2: MMC/SD connector

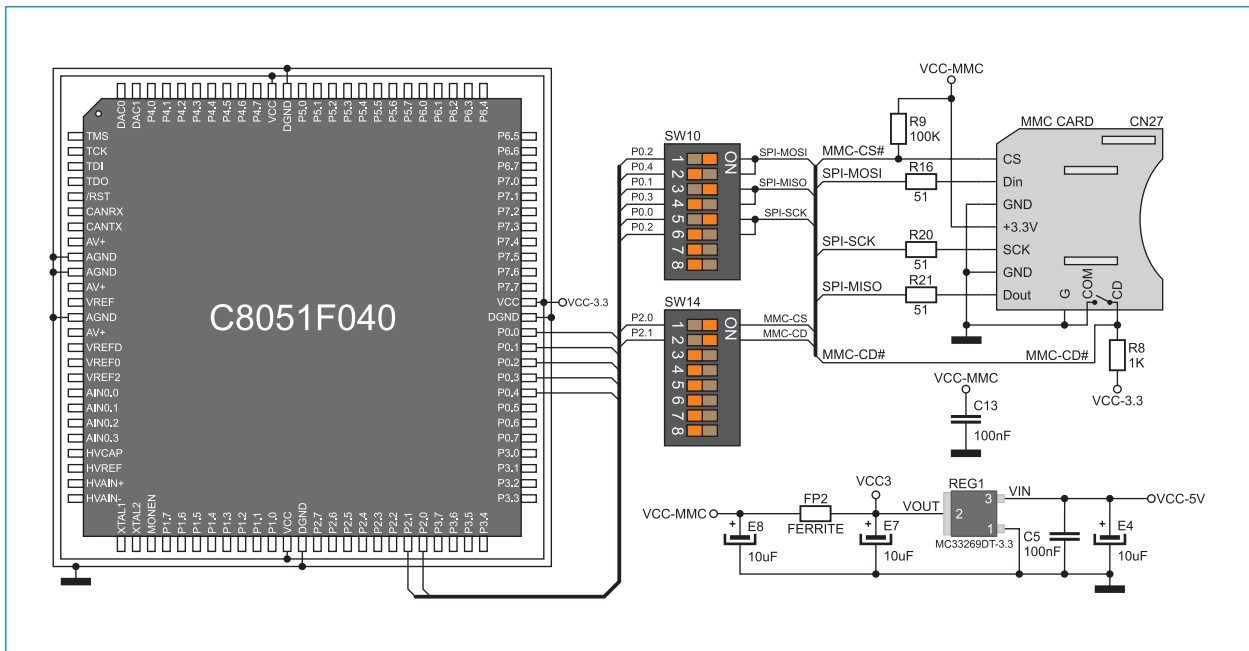


Figure 11-3: MMC/SD connector and microcontroller connection schematic

12.0. Comparator

The *BIG8051* development system is capable of comparing voltage levels due to a comparator built into the microcontroller. Voltage signals are supplied via potentiometers P5 and P6. In order to enable voltage signals, to be compared, to be supplied to the microcontroller, it is necessary to set switches 5 and 6 on DIP switch SW15 to the ON position.



Figure 12-1: Comparator

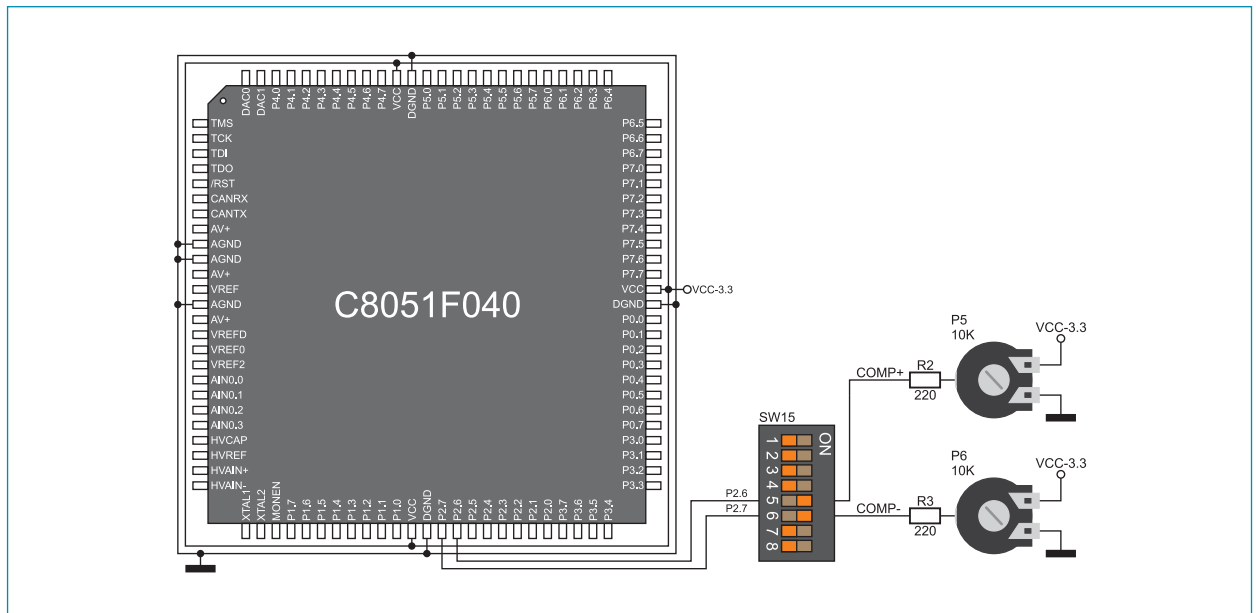


Figure 12-2: Comparator connection schematic

13.0. ADC module

The ADC module is used to convert an analog voltage level into the appropriate 12-bit digital value. The analog voltage signal is supplied via screw terminals CN15 and CN16. The ADC module is built-in into the microcontroller. The voltage supplied from the VREF pin is used as a voltage reference. In order to use this voltage, switch 8 on the DIP switch SW14 should be set to the ON position.

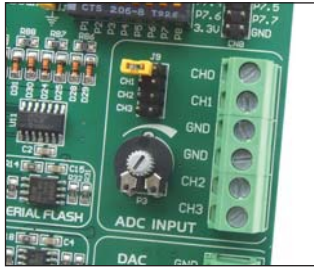


Figure 13-1: ADC module

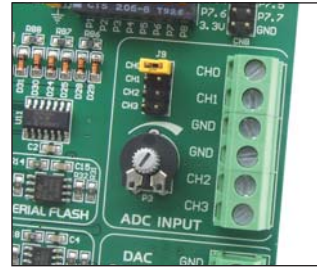


Figure 13-2: Jumper J9

If the voltage, necessary to perform A/D conversion, is not supplied from an external source, then the 3.3V power supply voltage is used. In this case, it is necessary to place jumper J9 on the appropriate pins, Figure 13-2.

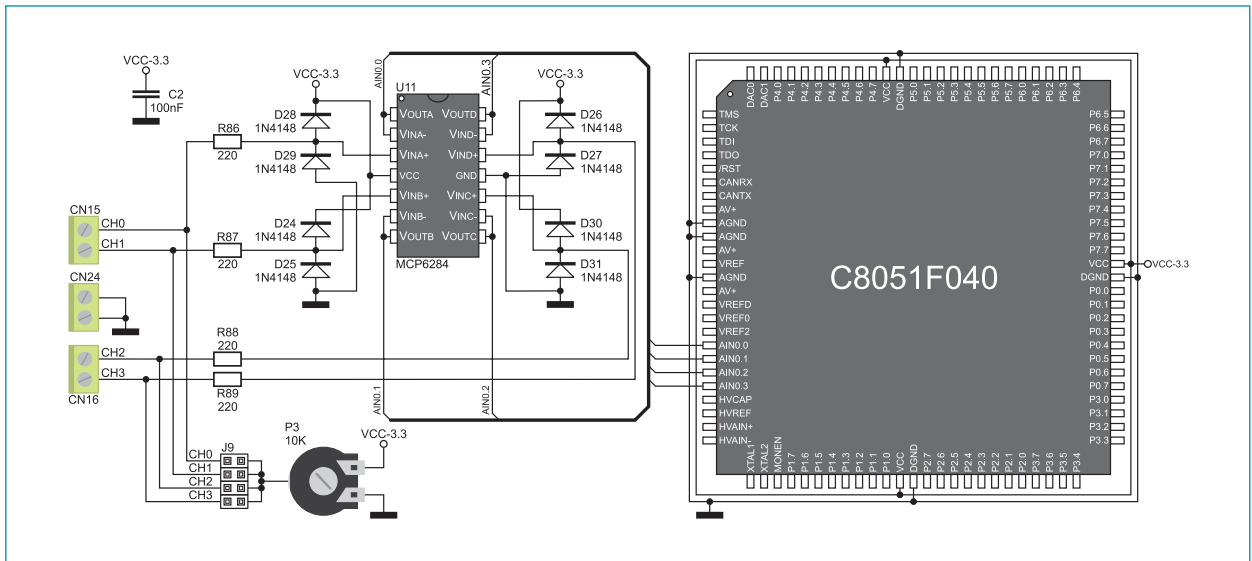


Figure 13-3: ADC module connection schematic

14.0. DAC module

A DAC module is used to convert 12-bit digital values into appropriate analog voltage values. The analog voltage signal is delivered via screw terminals CN13 and CN14. The DAC module is built into the microcontroller. The voltage supplied from the VREF pin on the microcontroller is used as a voltage reference. To enable the use of this voltage, switch 7 on the DIP switch SW14 should be set to the ON position.

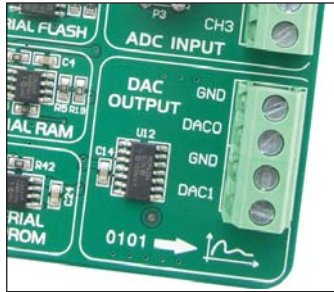


Figure 14-1: DAC module

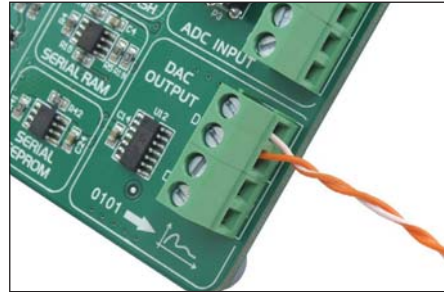


Figure 14-2: DAC module connector

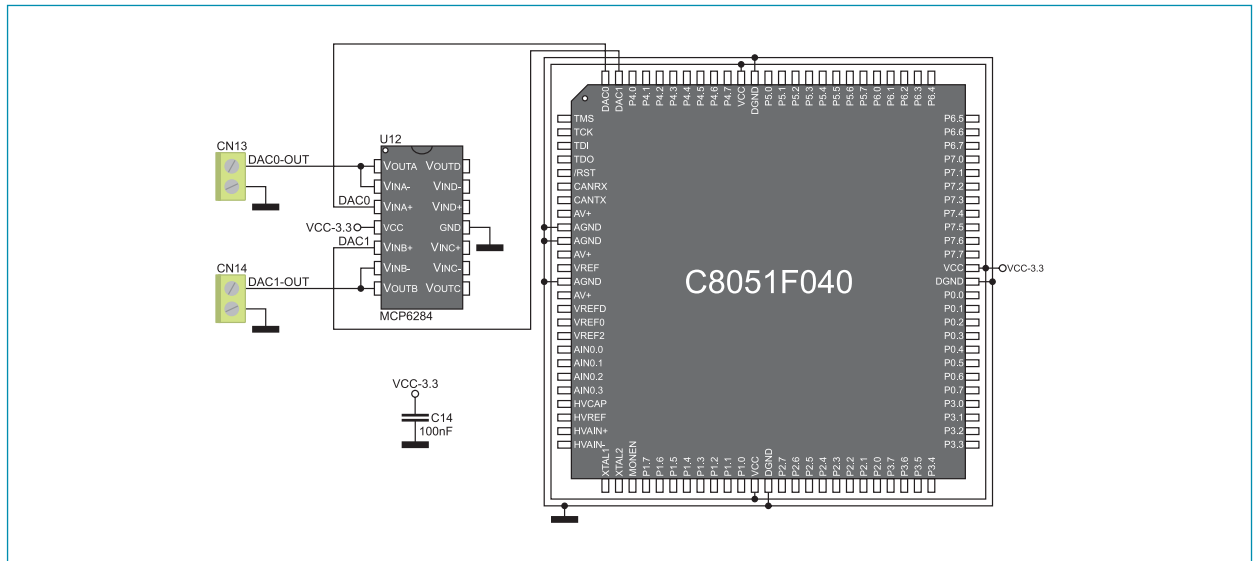


Figure 14-3: DAC module connection schematic

15.0. Memory modules

The *BIG8051* development system features Flash, RAM and EEPROM memory modules. These modules enable the microcontroller to expand its memory space.

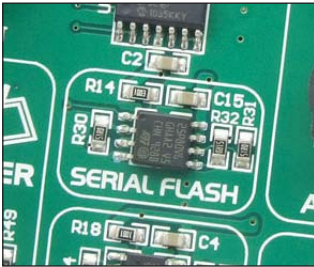


Figure 15-1: Flash module

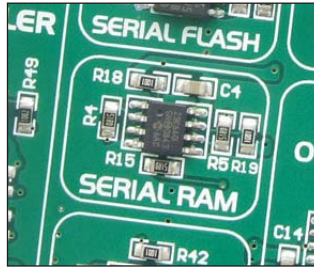


Figure 15-2: RAM module

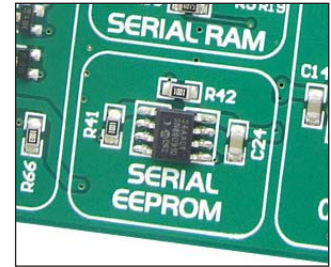


Figure 15-3: EEPROM module

Flash module enables the microcontroller to use additional 8Mbit flash memory via the Serial Peripheral Interface (SPI). To establish connection between this module and the microcontroller, it is necessary to set switches 1, 3 and 5 (optionally 2, 4 and 6) on the DIP switch SW10, as well as switch 7 on the DIP switch SW15 to the ON position.

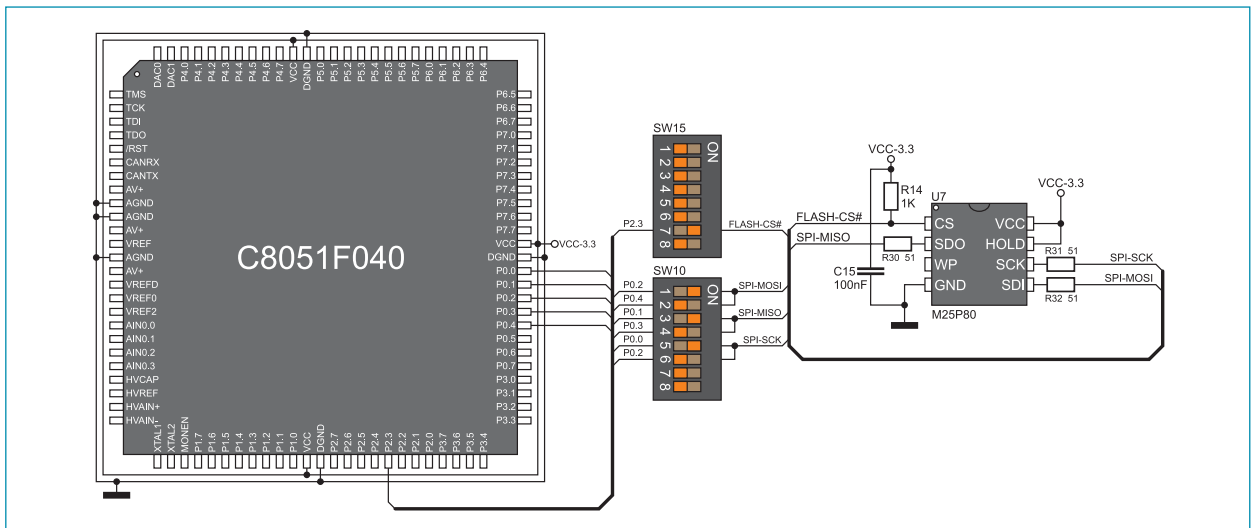


Figure 15-4: Flash module connection schematic

RAM module enables the microcontroller to use additional 64Kbit RAM memory via the Serial Peripheral Interface (SPI). To establish connection between this module and the microcontroller, it is necessary to set switches 1, 3, 5, 7 and 8 (optionally 2, 4 and 6) on the DIP switch SW10 to the ON position.

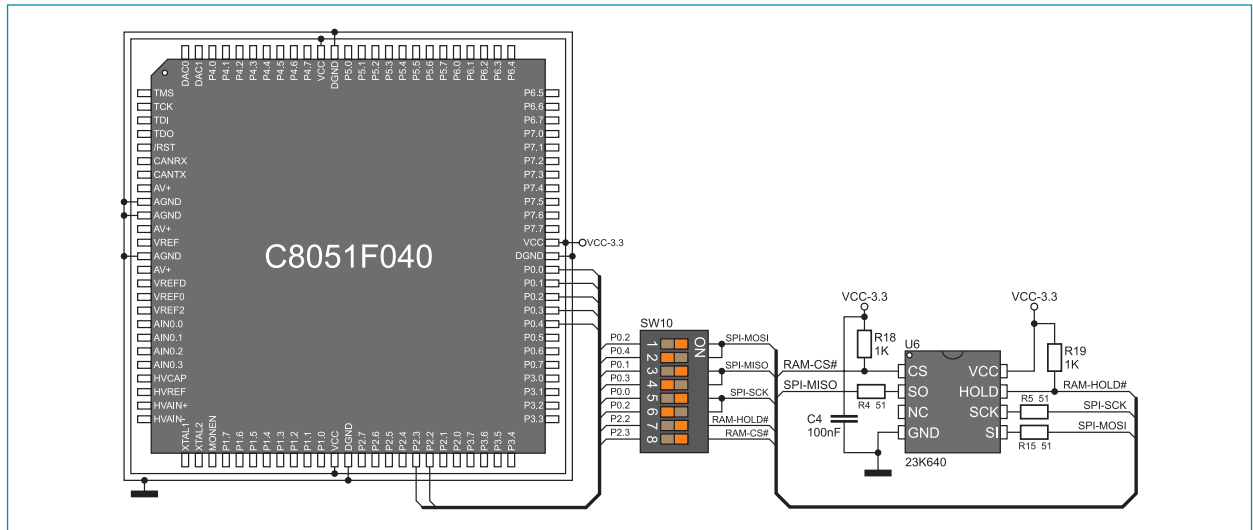


Figure 15-5: RAM module connection schematic

EEPROM module enables the microcontroller to use additional 1Kbit EEPROM memory via I2C serial connection. To establish connection between this module and the microcontroller, it is necessary to set switches 3 and 5 (optionally 4 and 6) on the DIP switch SW12 to the ON position.

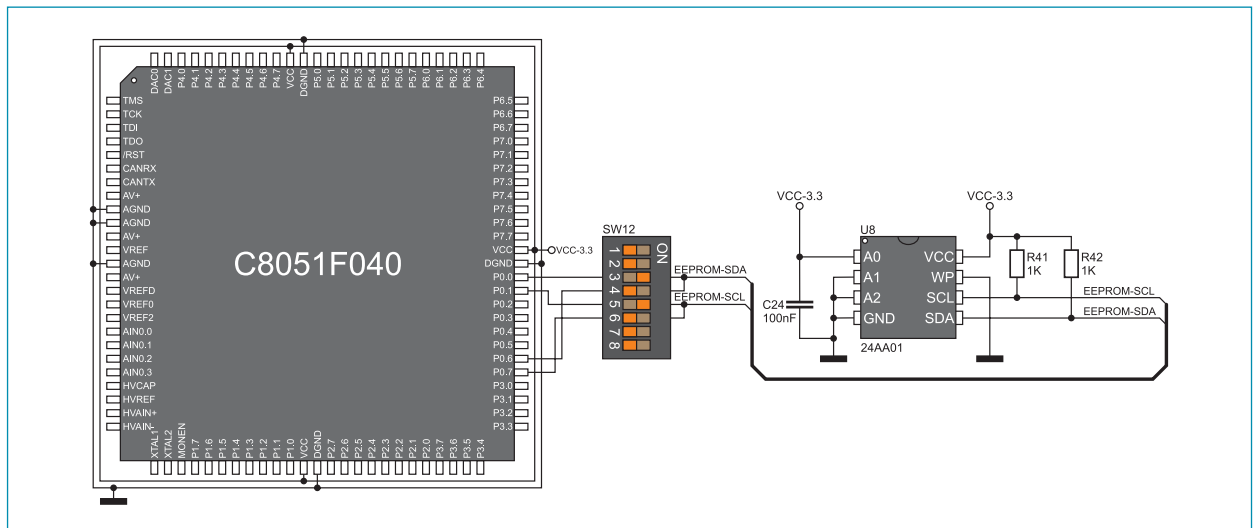


Figure 15-6: EEPROM module connection schematic

16.0. LEDs

There are 64 LEDs on the *BIG8051* development system used to visually indicate the state of each microcontroller I/O pin. An active LED indicates that a logic one (1) is present on the pin. In order to enable LEDs to illuminate, it is necessary to select the appropriate port ((PORT0, PORT1, PORT2, PORT3, PORT4, PORT5, PORT6 or PORT7) using DIP switch SW9.



Figure 16-1: LEDs

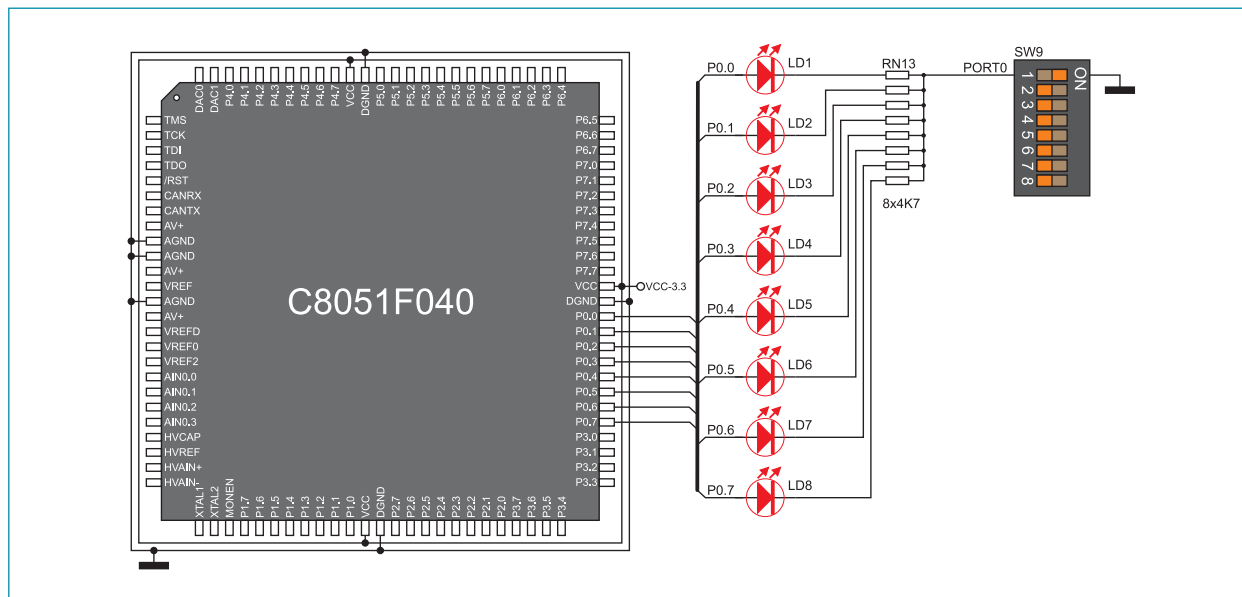
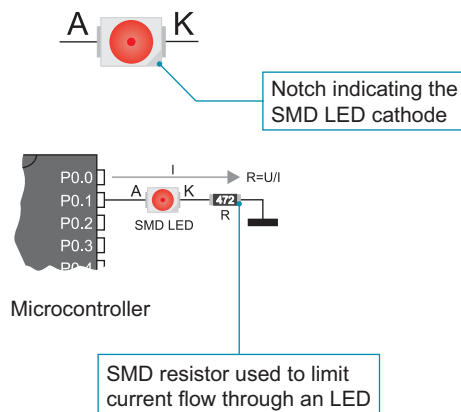


Figure 16-2: LED and port PORT0 connection schematic

17.0. Push buttons

The logic state of all microcontroller input pins may be changed by using push buttons. Jumper J10 is used to determine the logic state to be supplied on the appropriate microcontroller pin by pressing a push button. The function of the protective resistor is to limit the maximum current, thus preventing the development system and peripheral modules from being damaged in case a short circuit occurs. If needed, advanced users may shorten this resistor using jumper J12. Right next to the push buttons, there is a RESET button used to reset the microcontroller.



Figure 17-1: Push buttons

By pressing any push button when jumper J10 is in the VCC position, a logic one (3.3V) will be applied to the appropriate microcontroller pin, as shown in Figure 17-2.

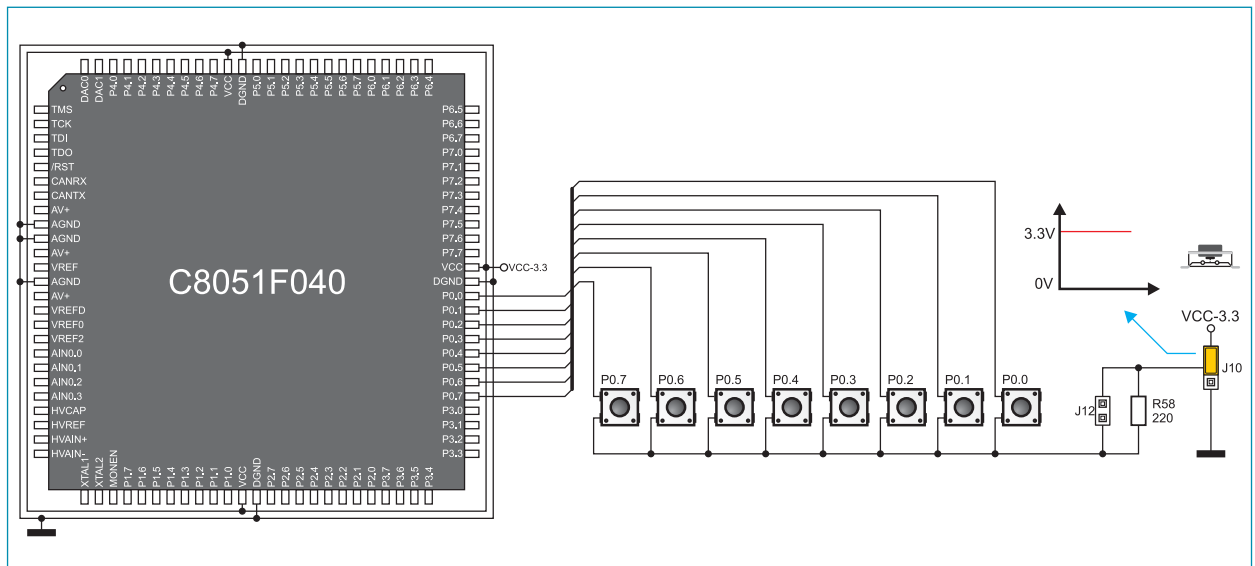


Figure 17-2: Push buttons and port PORT0 connection schematic

18.0. 2x16 LCD display

The *BIG8051* development system features an on-board connector for the alphanumeric 2x16 LCD display. This connector is linked to the microcontroller via port PORT3. Potentiometer P1 is used to adjust display contrast. The LCD-BCK switch on the DIP switch SW12 is used to turn the display backlight on/off.

Communication between this LCD and the microcontroller is performed in a 4-bit mode. Alphanumeric digits are displayed in two lines each containing up to 16 characters of 7x5 pixels.



Figure 18-1: Connector for alphanumeric LCD display



Figure 18-2: Alphanumeric 2x16 LCD display

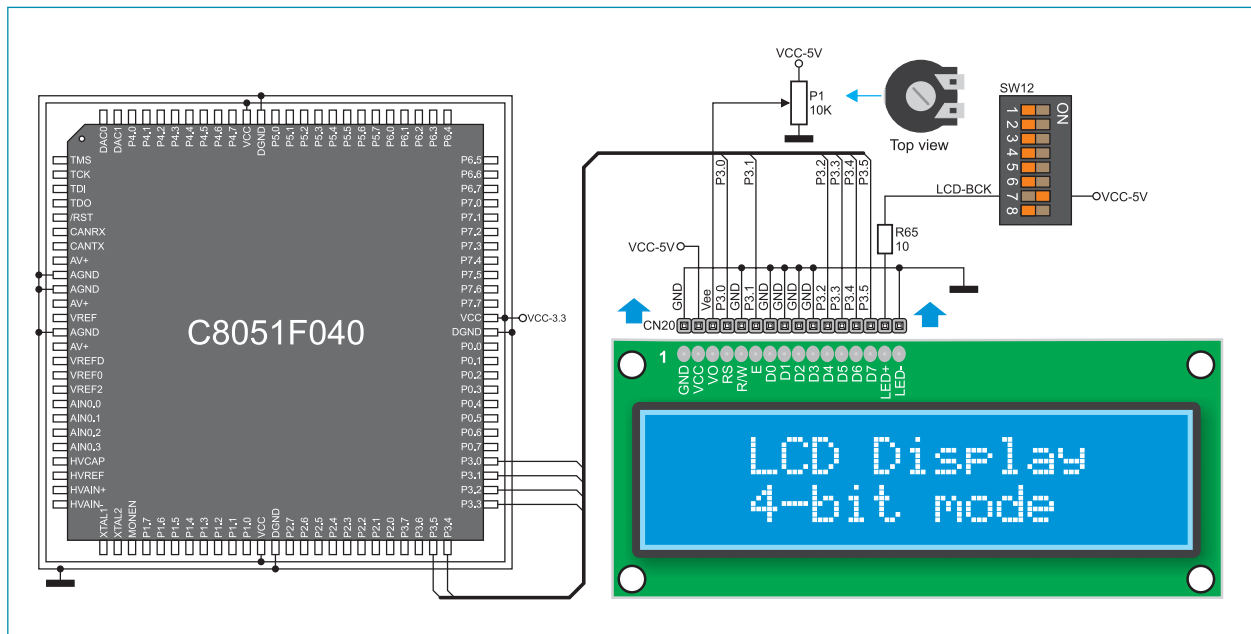


Figure 18-3: 2x16 LCD display connection schematic

19.0. 128x64 graphic LCD display

128x64 graphic LCD (GLCD) is connected to the microcontroller via PORT2 and PORT4 ports and enables graphic content to be displayed. It has a screen resolution of 128x64 pixels, which allows diagrams, tables and other graphic contents to be displayed. Potentiometer P1 is used for the GLCD display contrast adjustment. Switch 8 (GLCD-BCK) on the DIP switch SW12 is used to turn the display backlight on/off.

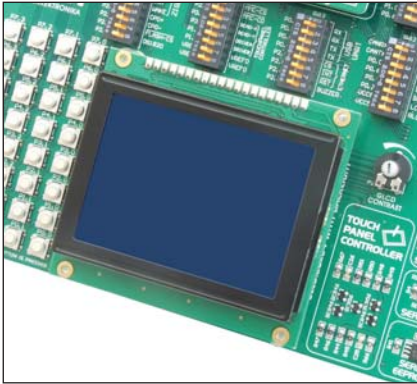


Figure 19-1: GLCD display

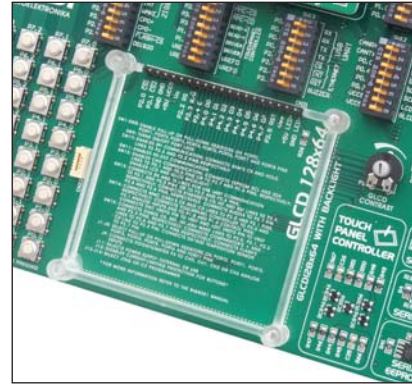


Figure 19-2: GLCD connector

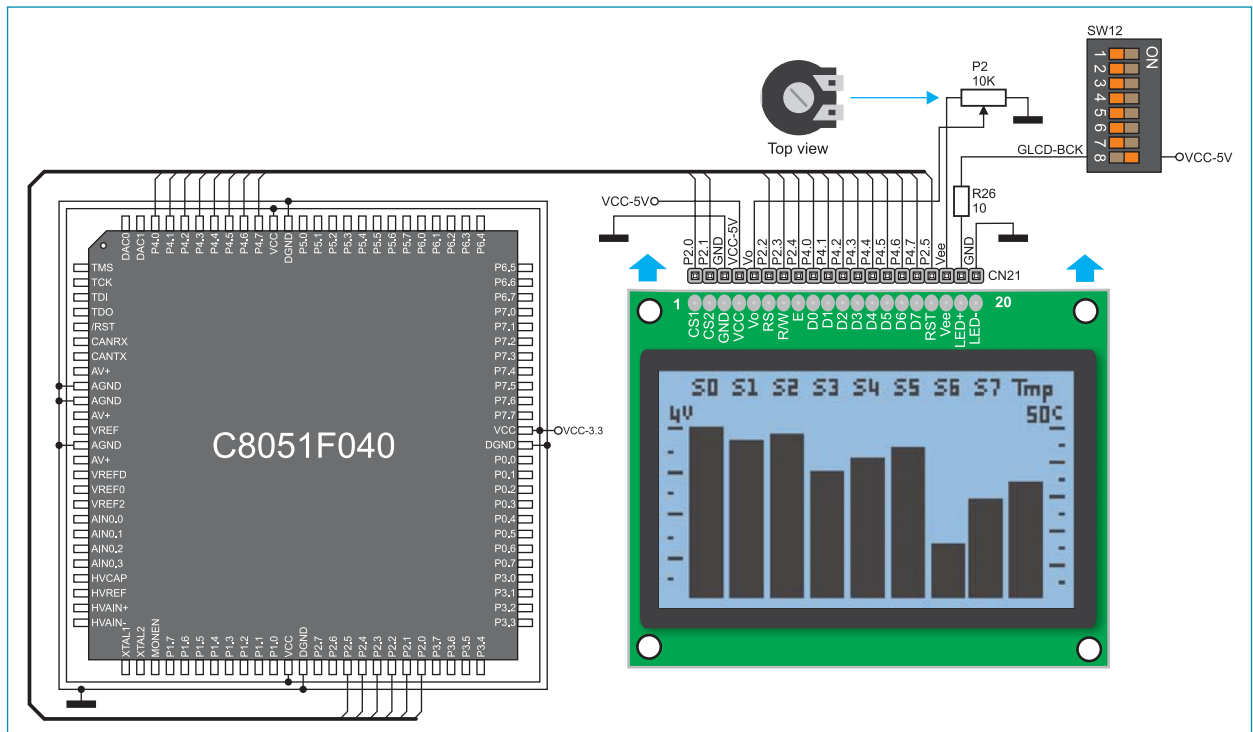


Figure 19-3: GLCD display connection schematic

20.0. Touch panel

A touch panel is a thin, self-adhesive, transparent, touch-sensitive panel. It is placed over a GLCD display. Its main function is to register pressure at some specific display point and to forward its coordinates in the form of analog voltage to the microcontroller. Switches 3, 4, 5 and 6 on the DIP switch SW14 are used to connect the microcontroller and touch panel.

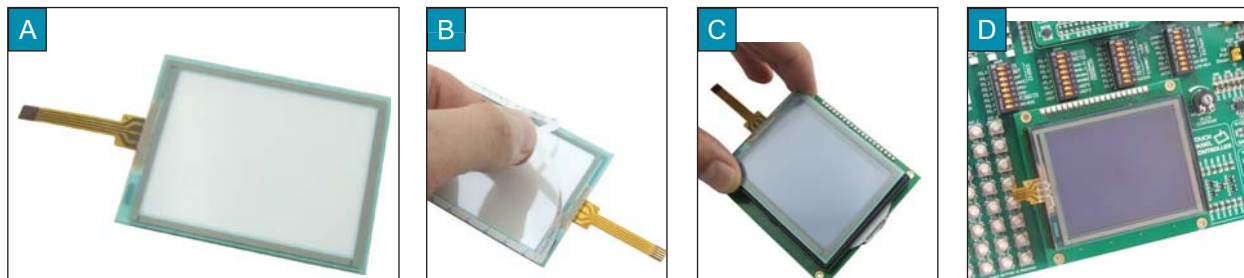


Figure 20-1: Placing touch panel over a GLCD

Figure 20-1 shows how to place a touch panel over a GLCD display. Make sure that the flat cable is to the left of the GLCD, as shown in Figure 20-1D.

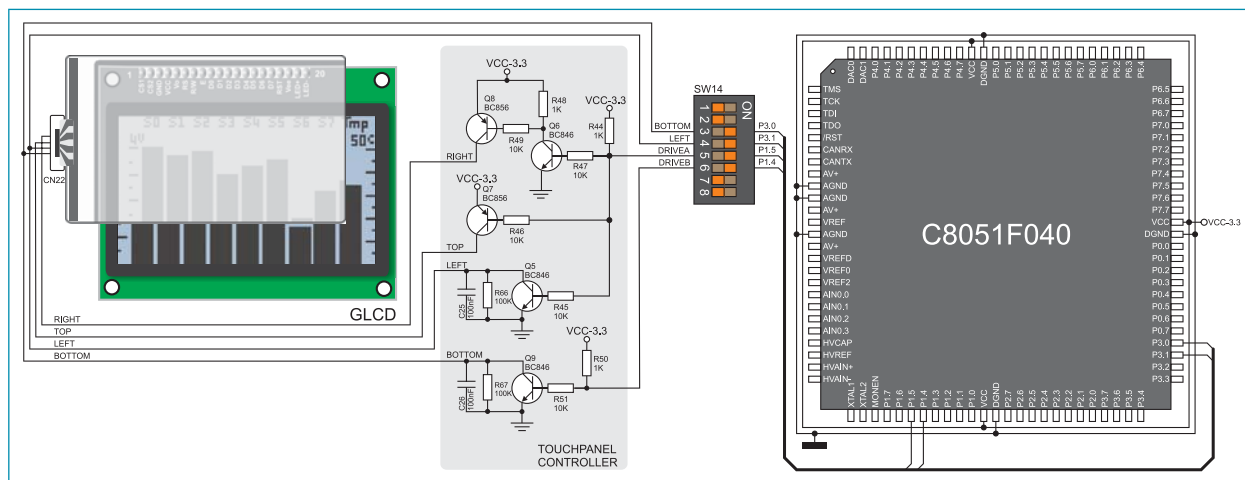


Figure 20-2: Touch panel connection schematic



Figure 20-3: Connecting touch panel

Figure 20-3 shows in detail how to connect a touch panel to the microcontroller. Bring the end of the flat cable close to the CN23 connector (Figure A). Plug the cable into the connector (Figure B) and press it easily so as to fully fit the connector (Figure C). Now, a GLCD can be plugged into the appropriate connector (Figure D).

NOTE: LEDs and pull-up/pull-down resistors on ports PORT1 and PORT3 should be off when the touch panel is in use.

21.0. Input/output ports

Along the right side of the development system, there are eight 10-pin connectors linked to the microcontroller I/O ports. Due to DIP switches SW1-SW8, every connector pin can be connected to one pull-up/pull-down resistor. It depends on the position of jumpers J1-J8 whether they will be connected to pull-up or pull-down resistor.

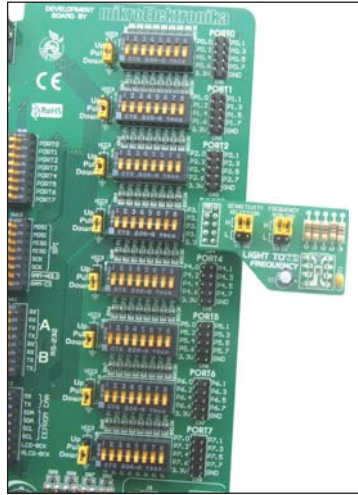


Figure 21-1: I/O ports

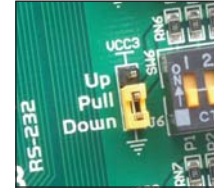


Figure 21-2: J9 in pull-down position

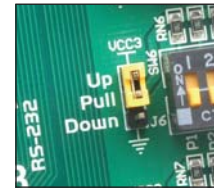


Figure 21-3: J9 in pull-up position

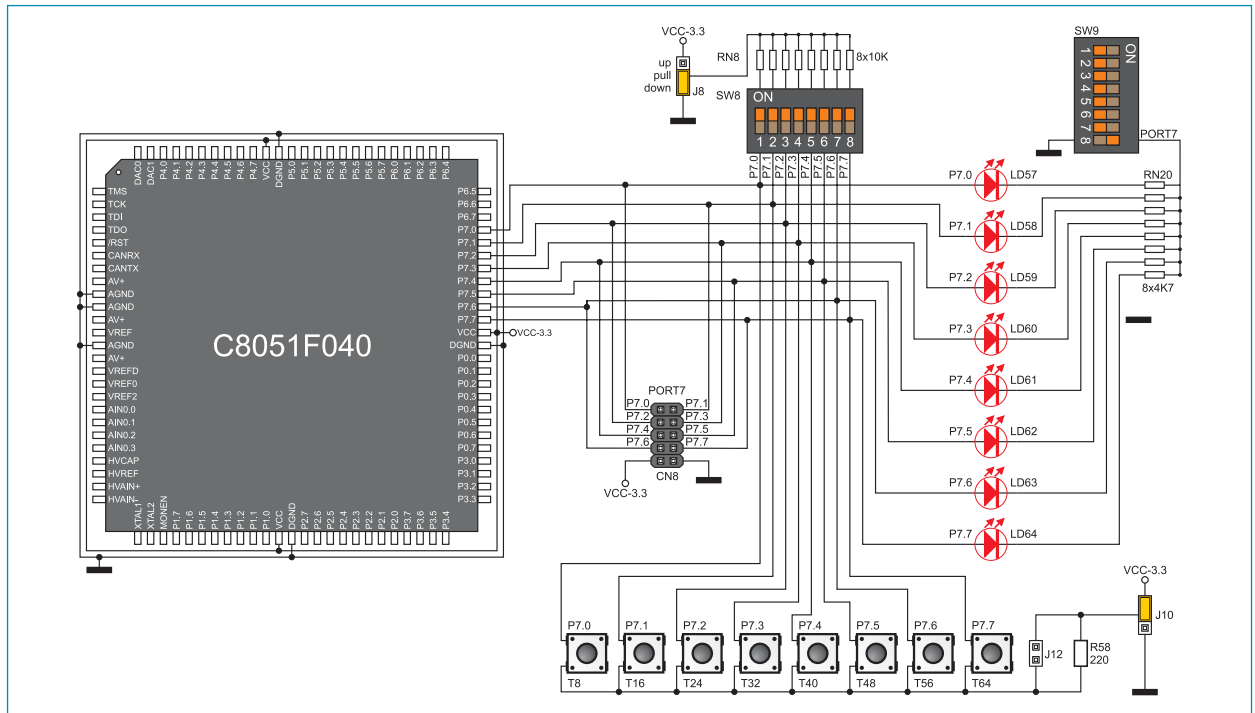


Figure 21-4: Port PORT7 connection schematic

Pull-up/pull-down resistors enable you to set the logic level on all microcontroller's input pins when they are in idle state. This level depends on the position of the pull-up/pull-down jumper. The RP7.0 pin with the relevant DIP switch SW8, jumper J8 and P7.0 push button with jumper J10 are used here for the purpose of explaining the performance of pull-up/pull-down resistors. The principle of their operation is the same for all other microcontroller pins.

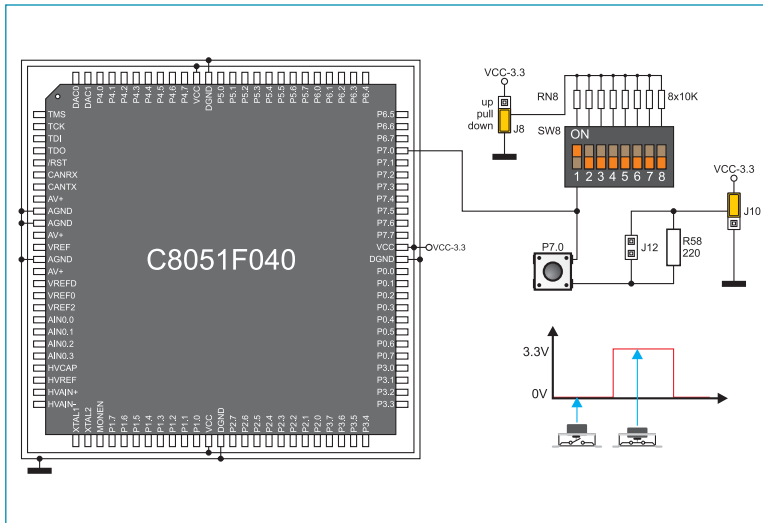


Figure 21-5: Jumper J8 in pull-down and jumper J10 in pull-up position

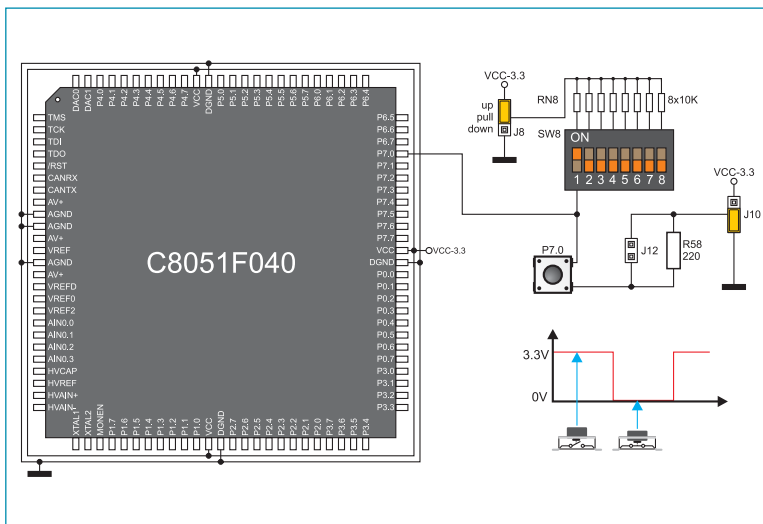


Figure 21-6: Jumper J8 in pull-up and jumper J10 in pull-down position

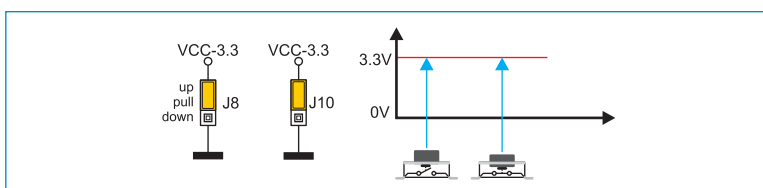


Figure 21-7: Jumpers J8 and J10 in the same positions

In order to enable the PORT7 port pins to be connected to pull-down resistors, it is necessary to place jumper J8 in the *Down* position first. This enables any PORT7 port pin to be supplied with a logic zero (0V) in idle state over jumper J8 and 8x10k resistor network. To provide the P7.0 pin with this signal, it is necessary to set switch P7.0 on the DIP switch SW8 to the ON position.

As a result, every time you press the P7.0 push button, the P7.0 pin will be fed with a logic one (VCC-3.3 voltage), provided that jumper J10 is placed in the VCC-3.3 position.

In order to enable port PORT7 pins to be connected to pull-up resistors and the port input pins to be supplied with a logic zero (0), it is necessary to place jumper J8 in the *Up* position and jumper J10 in the GND position. This enables any port PORT7 input pin, when it is in idle state, to be driven high (3.3V) over the 10k resistor.

As a result, every time you press the P7.0 push button, the P7.0 pin will be fed with a logic zero (0V), provided that switch P7.0 on the DIP switch SW8 is set to the ON position.

In case that jumpers J8 and J10 are in the same positions, pressure on any button will not cause input pins to change their logic state.

DISCLAIMER

All the products owned by MikroElektronika are protected by copyright law and international copyright treaty. Therefore, this manual is to be treated as any other copyright material. No part of this manual, including product and software described herein, may be reproduced, stored in a retrieval system, translated or transmitted in any form or by any means, without the prior written permission of MikroElektronika. The manual PDF edition can be printed for private or local use, but not for distribution. Any modification of this manual is prohibited.

MikroElektronika provides this manual 'as is' without warranty of any kind, either expressed or implied, including, but not limited to, the implied warranties or conditions of merchantability or fitness for a particular purpose.

MikroElektronika shall assume no responsibility or liability for any errors, omissions and inaccuracies that may appear in this manual. In no event shall MikroElektronika, its directors, officers, employees or distributors be liable for any indirect, specific, incidental or consequential damages (including damages for loss of business profits and business information, business interruption or any other pecuniary loss) arising out of the use of this manual or product, even if MikroElektronika has been advised of the possibility of such damages. MikroElektronika reserves the right to change information contained in this manual at any time without prior notice, if necessary.

HIGH RISK ACTIVITIES

The products of MikroElektronika are not fault – tolerant nor designed, manufactured or intended for use or resale as on – line control equipment in hazardous environments requiring fail – safe performance, such as in the operation of nuclear facilities, aircraft navigation or communication systems, air traffic control, direct life support machines or weapons systems in which the failure of Software could lead directly to death, personal injury or severe physical or environmental damage ('High Risk Activities'). MikroElektronika and its suppliers specifically disclaim any expressed or implied warranty of fitness for High Risk Activities.

TRADEMARKS

The Mikroelektronika name and logo, the Mikroelektronika logo, mikroC, mikroC PRO, mikroBasic, mikroBasic PRO, mikroPascal, mikroPascal PRO, AVRflash, PICflash, dsPICprog, 18FJprog, PSOCprog, AVRprog, 8051prog, ARMflash, EasyPIC5, EasyPIC6, BigPIC5, BigPIC6, dsPIC PRO4, Easy8051B, EasyARM, EasyAVR5, EasyAVR6, BigAVR2, EasydsPIC4A, EasyPSoC4, EasyVR Stamp LV18FJ, LV24-33A, LV32MX, PIC32MX4 MultiMedia Board, PICPLC16, PICPLC8 PICPLC4, SmartGSM/GPRS, UNI-DS are trademarks of Mikroelektronika. All other trademarks mentioned herein are property of their respective companies.

All other product and corporate names appearing in this manual may or may not be registered trademarks or copyrights of their respective companies, and are only used for identification or explanation and to the owners' benefit, with no intent to infringe.



MikroElektronika
SOFTWARE AND HARDWARE SOLUTIONS FOR EMBEDDED WORLD ...making it simple

If you want to learn more about our products, please visit our website at www.mikroe.com

If you are experiencing some problems with any of our products or just need additional information, please place your ticket at www.mikroe.com/en/support

If you have any questions, comments or business proposals, do not hesitate to contact us at office@mikroe.com

X-ON Electronics

Largest Supplier of Electrical and Electronic Components

Click to view similar products for [Development Boards & Kits - 8051 category](#):

Click to view products by [MikroElektronika manufacturer](#):

Other Similar products are found below :

[C8051F350-TB](#) [C8051F360-TB-K](#) [C8051F310DK](#) [C8051F390-A-DK](#) [C8051F540-TB](#) [C8051F930-TB-K](#) [FT51A-EVM](#) [MIKROE-2018](#)
[MIKROE-2019](#) [MIKROE-257](#) [MIKROE-598](#) [MIKROE-703](#) [PIM447](#) [SLTB005A](#) [C8051F060DK](#) [C8051F064EK](#) [C8051F330DK](#)
[C8051F340DK](#) [C8051F350DK](#) [C8051F380-TB-K](#) [C8051F410DK](#) [C8051F500DK](#) [C8051F540DK](#) [C8051F560DK](#) [C8051F580DK](#)
[C8051F912DK](#) [C8051F930DK](#) [C8051F960-A-DK](#) [C8051F970-A-DK](#) [C8051F996DK](#) [C8051F996-TB](#) [EFM8BB1LCK](#) [F990SLIDEREK](#)
[MCUNIVERSITYKIT](#) [SLBLDC-MTR-RD](#) [SLSTK2000A](#) [SLSTK2011A](#) [SLSTK2020A](#) [SLSTK2021A](#) [SLSTK2022A](#) [iMCU7100EVB](#)
[SLRDK1000A](#) [C8051F912-TB](#) [C8051F530ADK](#) [CY8CKIT-009A](#) [CY8CKIT-030A](#) [MIKROE-455](#) [C8051F350-TB-K](#) [C8051F560-TB-K](#)
[C8051F996-TB-K](#)