

mikroBoard for PIC 80-pin™

Manual

All MikroElektronika's development systems represent irreplaceable tools for programming and developing microcontroller-based devices. Carefully chosen components and the use of machines of the last generation for mounting and testing thereof are the best guarantee of high reliability of our devices. Due to simple design, a large number of add-on modules and ready to use examples, all our users, regardless of their experience, have the possibility to develop their projects in a fast and efficient way.

Development System

 **MikroElektronika**

SOFTWARE AND HARDWARE SOLUTIONS FOR EMBEDDED WORLD ...making it simple

mikroBoard for PIC 80-pin

The mikroBoard is miniature development tool which includes microcontroller, programmer, small proto board and two 2x40 female headers for connection with UNI-DS6 development system.

Key features:

- MCU card for UNI-DS6;
- Standalone device;
- ON-board programmer;
- 5V power supply.

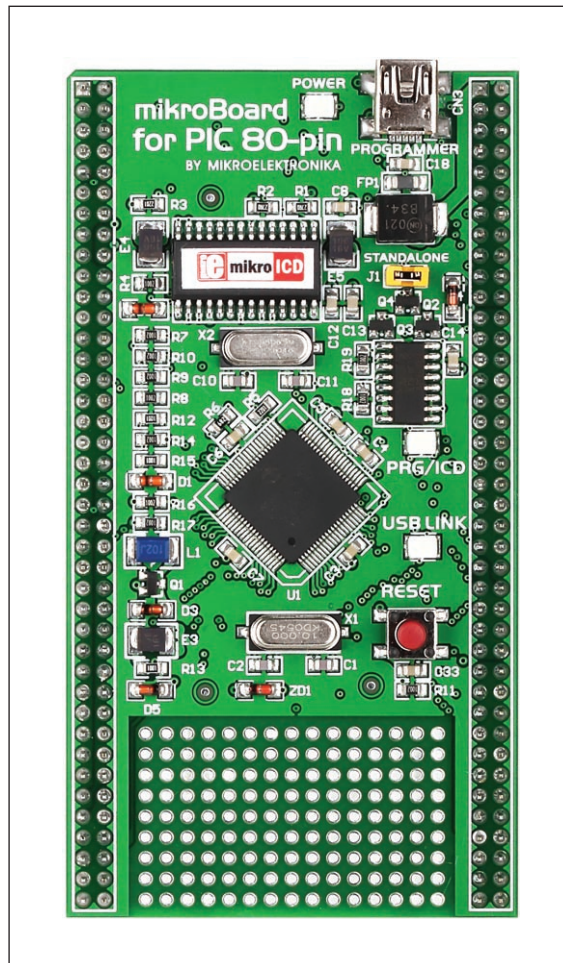


Figure 1: mikroBoard for PIC 80-pin

mikroBoard as MCU card:

Main purpose of the mikroBoard is usage as MCU card for UNI-DS6 development system. For connection with the UNI-DS6 mikroBoard use two 2x40 female headers. Integrated part of mikroBoard is programmer which is used for MCU programming. To connect on-board programmer with a PC mikroBoard use USB cable.

mikroBoard as standalone device:

To use mikroBoard as standalone device it is necessary to place jumper J1 (STANDALONE). For power supply in standalone mode mikroBoard can use USB power supply from PC via connector CN3 or via 2x40 female header. When power supply is connected via 2x40 female header it is necessary to provide regulated 5V power supply.

Programming MCU on mikroBoard:

For programming purposes it is necessary to install adequate software on your PC. mikroBoard for PIC 80-pin use mikroProg Suite for PIC programmer software which can be downloaded from:
<http://www.mikroe.com/eng/products/view/18/picflash-with-mikroicd-support/>
Procedure of software installation is explained in mikroProg Suit for PIC manual.

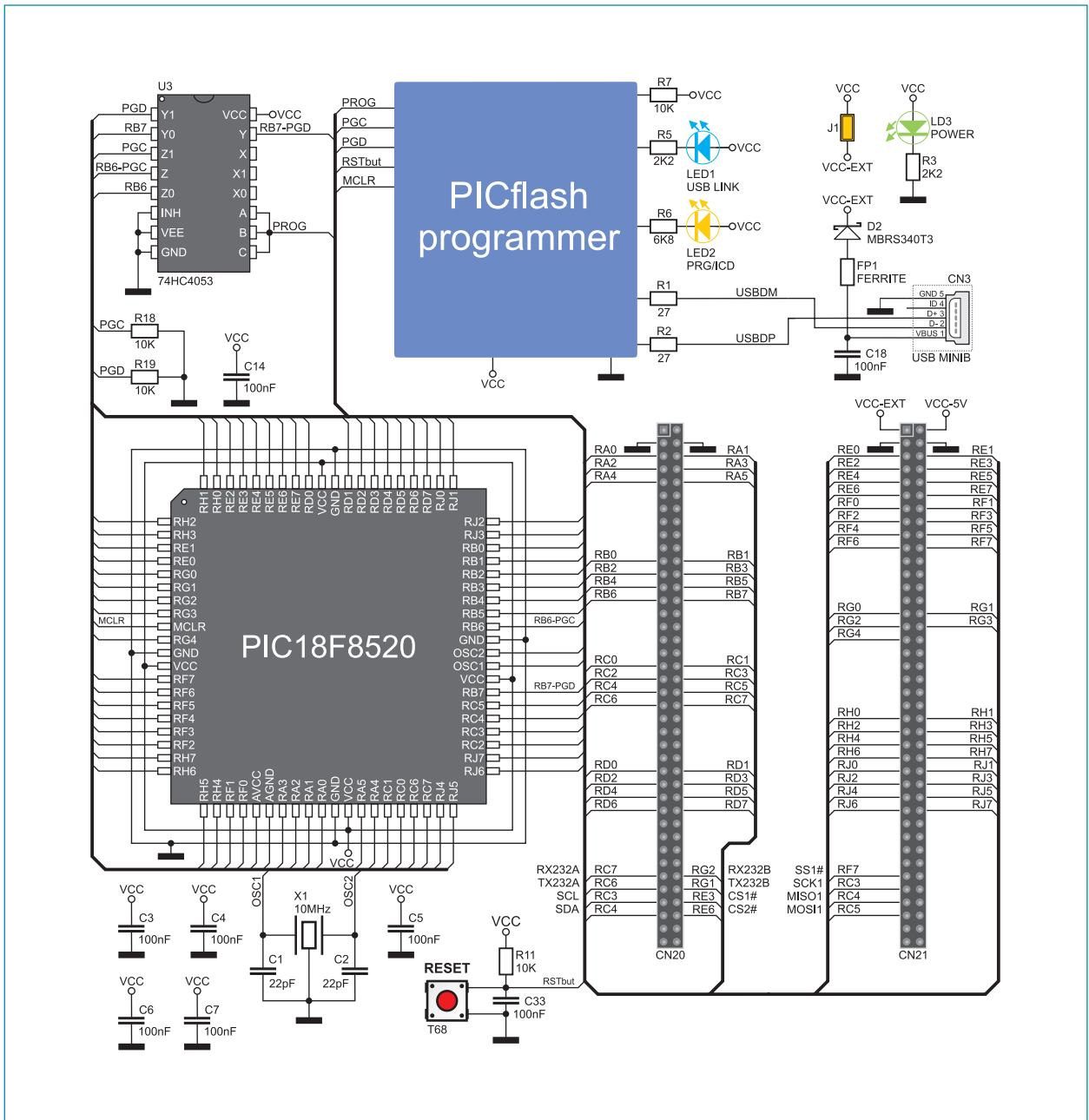


Figure 2: Connection schematic for mikroBoard

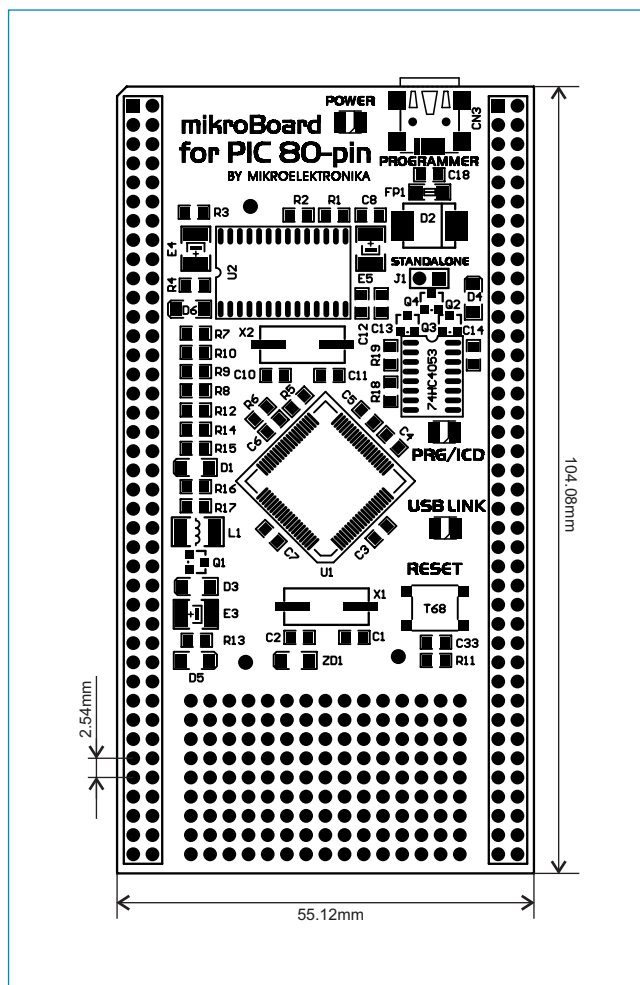


Figure 3: mikroBoard dimensions



MikroElektronika
SOFTWARE AND HARDWARE SOLUTIONS FOR EMBEDDED WORLD ...making it simple

If you want to learn more about our products, please visit our website at www.mikroe.com

If you are experiencing some problems with any of our products or just need additional information, please place your ticket at www.mikroe.com/en/support

If you have any questions, comments or business proposals, do not hesitate to contact us at office@mikroe.com

X-ON Electronics

Largest Supplier of Electrical and Electronic Components

Click to view similar products for [Development Boards & Kits - PIC/DSPIC category](#):

Click to view products by [MikroElektronika manufacturer](#):

Other Similar products are found below :

[S-191](#) [TDGL025](#) [DV330021](#) [DM160230](#) [DM164141](#) [DM164142](#) [DM164143](#) [DM240016](#) [DM320010](#) [DM320101](#) [DM320105](#) [DM320107](#)
[DM330028](#) [DV161001](#) [DM320008](#) [DM320008-C](#) [DM320010-C](#) [DM330026](#) [MIKROE-2639](#) [TCHIP005](#) [MIKROE-2651](#) [MIKROE-2645](#)
[MIKROE-2643](#) [MIKROE-2655](#) [MIKROE-2637](#) [MIKROE-2642](#) [MIKROE-2653](#) [MIKROE-2644](#) [MIKROE-2657](#) [MIKROE-2647](#) [MIKROE-](#)
[2654](#) [MIKROE-2648](#) [MIKROE-2788](#) [MIKROE-1907](#) [MIKROE-2567](#) [SC70EV](#) [510-000](#) [DLP-UCF2321](#) [DLP-UCF4420](#) [DLP-UCF917](#)
[EV53Z50A](#) [C383116](#) [AC103011](#) [AC243026](#) [AC323027](#) [ADM00333](#) [ARD00906](#) [DM160214](#) [DM160228](#) [DM163025-1](#)