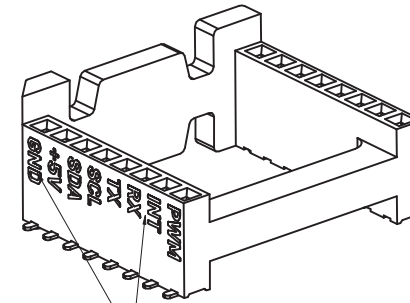
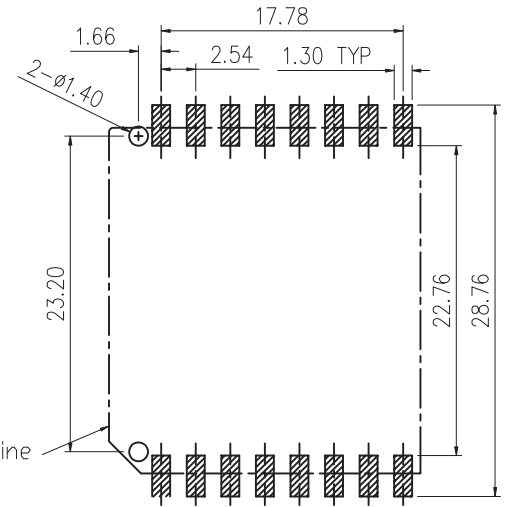


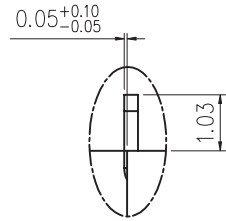
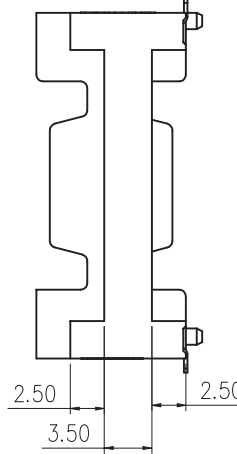
REV.	DESCRIPTION	DRAWN	CHECKED	APPROVED
C				
D				

NOTES:

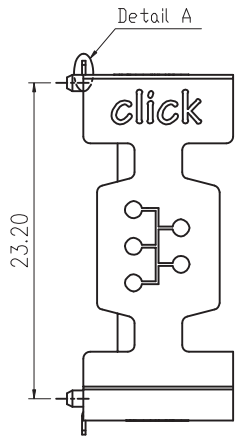
- Material:
Insulator: PA9T With glass fiber (UL94V-0 ONLY FOR BLACK/RED/GRAY).
Contact: Copper alloy.
- Electrical performance
Current rating: 3A.
Contact resistance: 20mΩ maximum.
Insulation resistance: 1000MΩ minimum.
Dielectric withstanding voltage: 500V AC(r.m.s).
- Environment performance:
Temperature range: -40°C~+105°C.
- Mechanical performance:
Mating force: 150g per pin maximum.
Withdrawal force: 30g per pin minimum.
- Recommend PCB thickness: 1.6mm



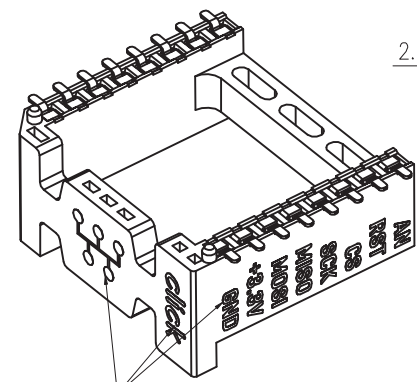
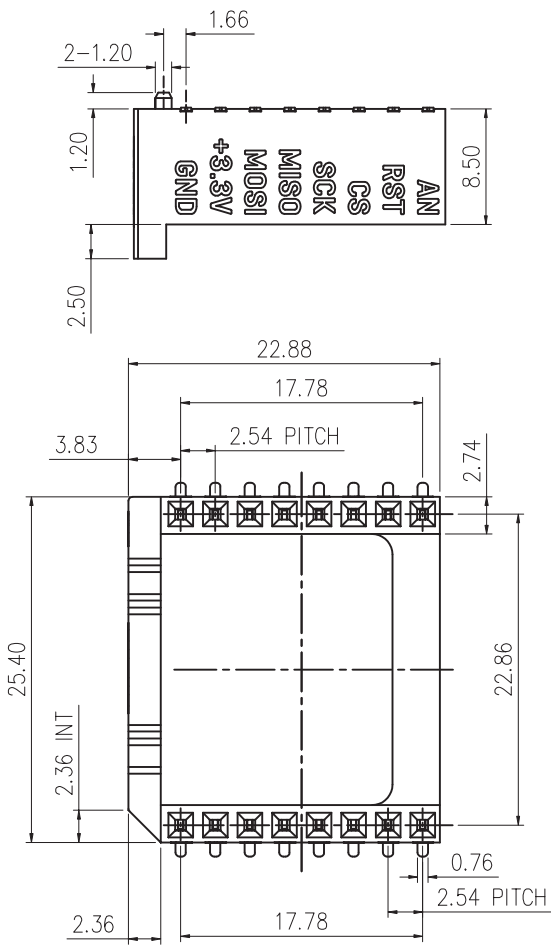
The logo is printed on the products



Detail A
Scale 4/1



Detail A



The logo is printed on the products

GENERAL TOLERANCE		ANGLE TOLERANCE		PROJECTION	TITLE	2.54*22.86mm PITCH 2*8PIN FEMALE HEADER(H=8.5)	
X.	±0.60	X.	±5°	UNITS			
.X	±0.38	.X	±3°	SHEET SIZE	A4	SERIES	
.XX	±0.25	.XX	±2°	MIKROE			
DRAWING TYPE		CUSTOMER					
SCALE	1:1	SHEET	1 OF 1				
DRAWING NO.							

X-ON Electronics

Largest Supplier of Electrical and Electronic Components

Click to view similar products for [Development Boards & Kits - Other Processors](#) *category:*

Click to view products by [MikroElektronika](#) *manufacturer:*

Other Similar products are found below :

[STM8S/32-D/RAIS](#) [QB-R5F110PJ-TB](#) [QB-R5F104PJ-TB](#) [SK-AD02-D62Q1747TB](#) [ST7MDT1-EMU2](#) [KITA2GTC3975VTRBSTOBO1](#)
[RTK5572TKCS00000BE](#) [ST623X-KIT/220](#) [STEVAL-ISV014V1](#) [KIT_XC836_EK_V1](#) [XIAO STARTER KIT](#) [SIBRAIN FOR](#)
[AVR128DA64](#) [CLICKER 4 FOR TMPM3H](#) [CLICK SHIELD FOR ARDUINO UNO](#) [ACRYLIC CASE FOR XIAO EXPANSION BOARD](#)
[RSSDEMO50F-AA-13#](#) [DEMO KIT](#) [VS 1000 DEMO BOARD](#) [SIBRAIN FOR AVR64DA64](#) [XIAO RP2040](#) [GSM CLICK](#) [2336796](#)
[CODEGRIP ADAPT V6](#) [DUAL SMART USB CHARGER](#) [CONNECTEVE](#) [R0K521380S000BE](#) [R0K578L1CD000BR](#) [LV-24-33 V6 44-PIN](#)
[TQFP MCU CARD EMPTY](#) [LV-24-33 V6 64-PIN TQFP MCU CARD EMPTY](#) [LV-24-33 V6 80-PIN TQFP 1 MCU CARD EMPTY](#) [32X32](#)
[RGB LED MATRIX PANEL - 6MM PITCH](#) [READY FOR XMEGA CASING \(WHITE\)](#) [RELAY4 BOARD](#) [ETHERNET CONNECTOR](#)
[RFID CARD 125KHZ - TAG](#) [RFID READER](#) [RFM12B-DEMO](#) [MAROON](#) [MAX232](#) [MAX3232 BOARD](#) [THREE-AXIS](#)
[ACCELEROMETER BOARD](#) [TINKERKIT HALL SENSOR](#) [TOUCHPANEL CONTROLLER](#) [MIKROBOARD FOR AVR WITH](#)
[ATMEGA128](#) [MIKROBUS CAPE](#) [MIKROETH 100 BOARD](#) [MIKROPROG TO ST-LINK V2 ADAPTER](#) [BANANA PI GPIO EXTEND](#)
[MODULE](#) [BATTERY BOOST SHIELD BOARD](#) [BIGDSPIC6 80-PIN TQFP 1 MCU CARD EMPTY](#) [MOD-28.Z](#)