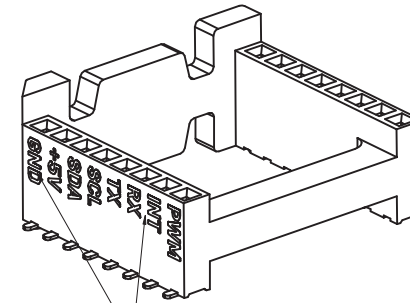
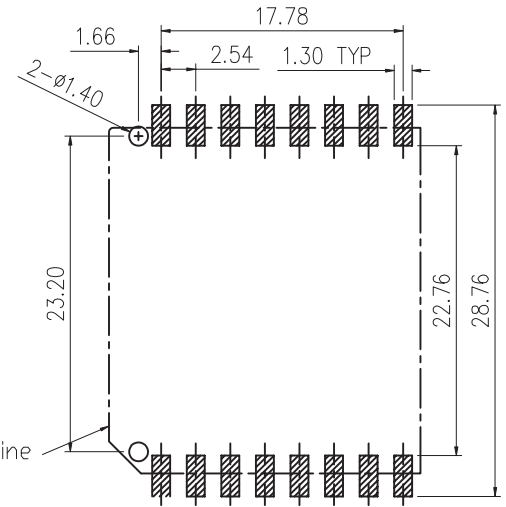


| REV. | DESCRIPTION | DRAWN | CHECKED | APPROVED |
|------|-------------|-------|---------|----------|
| C | | | | |
| D | | | | |

NOTES:

- Material:
Insulator: PA9T With glass fiber (UL94V-0 ONLY FOR BLACK/RED/GRAY).
Contact: Copper alloy.
- Electrical performance
Current rating: 3A.
Contact resistance: 20mΩ maximum.
Insulation resistance: 1000MΩ minimum.
Dielectric withstanding voltage: 500V AC(r.m.s).
- Environment performance:
Temperature range: -40°C~+105°C.
- Mechanical performance:
Mating force: 150g per pin maximum.
Withdrawal force: 30g per pin minimum.
- Recommend PCB thickness: 1.6mm



The logo is printed on the products

Product edge line

RECOMMEND PCB LAYOUT (TOLERANCE ±0.05)

$0.05^{+0.10}_{-0.05}$

Detail A
Scale 4/1

Detail A

click

23.20

25.40

2.36 INT

2.36

22.88

17.78

2.54 PITCH

3.83

2.74

22.86

0.76

2.54 PITCH

20.52

PWM
INT
RX
TX
SCL
SDA
+5V
GND

GENERAL TOLERANCE

X. ±0.60
.X ±0.38
.XX ±0.25

ANGLE TOLERANCE

X. ±5°
.X ±3°
.XX ±2°

PROJECTION



TITLE

2.54*22.86mm PITCH 2*8PIN

UNITS

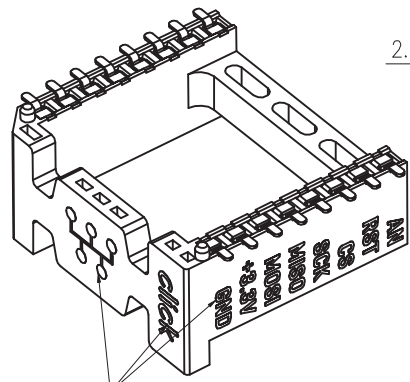
mm

FEMALE HEADER(H=8.5)

SHEET SIZE

A4

SERIES



The logo is printed on the products

DRAWING TYPE

CUSTOMER

SCALE

1:1

SHEET

1 OF 1

DRAWING NO.

MIKROE

X-ON Electronics

Largest Supplier of Electrical and Electronic Components

Click to view similar products for [Development Boards & Kits - Other Processors](#) category:

Click to view products by [MikroElektronika](#) manufacturer:

Other Similar products are found below :

[STM8S/32-D/RAIS](#) [QB-R5F110PJ-TB](#) [QB-R5F104PJ-TB](#) [SK-AD02-D62Q1747TB](#) [ST7MDT1-EMU2](#) [KITA2GTC3975VTRBSTOBO1](#)
[RTK5572TKCS00000BE](#) [ST623X-KIT/220](#) [STEVAL-ISV014V1](#) [KIT_XC836_EK_V1](#) [XIAO STARTER KIT](#) [SIBRAIN FOR](#)
[AVR128DA64](#) [CLICKER 4 FOR TMPM3H](#) [CLICK SHIELD FOR ARDUINO UNO](#) [ACRYLIC CASE FOR XIAO EXPANSION BOARD](#)
[RSSDEMO50F-AA-13#](#) [DEMO KIT](#) [VS 1000 DEMO BOARD](#) [SIBRAIN FOR AVR64DA64](#) [XIAO RP2040](#) [GSM CLICK](#) [2336796](#)
[CODEGRIP ADAPT V6](#) [DUAL SMART USB CHARGER](#) [CONNECTEVE](#) [R0K521380S000BE](#) [R0K578L1CD000BR](#) [LV-24-33 V6 44-PIN](#)
[TQFP MCU CARD EMPTY](#) [LV-24-33 V6 64-PIN TQFP MCU CARD EMPTY](#) [LV-24-33 V6 80-PIN TQFP 1 MCU CARD EMPTY](#) [32X32](#)
[RGB LED MATRIX PANEL - 6MM PITCH](#) [READY FOR XMEGA CASING \(WHITE\)](#) [RELAY4 BOARD](#) [ETHERNET CONNECTOR](#)
[RFID CARD 125KHZ - TAG](#) [RFID READER](#) [RFM12B-DEMO](#) [MAROON](#) [MAX232](#) [MAX3232 BOARD](#) [THREE-AXIS](#)
[ACCELEROMETER BOARD](#) [TINKERKIT HALL SENSOR](#) [TOUCHPANEL CONTROLLER](#) [MIKROBOARD FOR AVR WITH](#)
[ATMEGA128](#) [MIKROBUS CAPE](#) [MIKROETH 100 BOARD](#) [MIKROPROG TO ST-LINK V2 ADAPTER](#) [BANANA PI GPIO EXTEND](#)
[MODULE](#) [BATTERY BOOST SHIELD BOARD](#) [BIGDSPIC6 80-PIN TQFP 1 MCU CARD EMPTY](#) [MOD-28.Z](#)