



# HoAR 贴片陶瓷系列规格书

|      |            |
|------|------------|
| 系列号  | HoAR       |
| 修订日期 | 2019-04-16 |
| 版本号  | Ho-A0      |

## 规格书 Specification



制造商:深圳市毫欧电子有限公司

HoAR

适用: 本规格书适用于深圳市毫欧电子有限公司贴片陶瓷电阻 HoAR 系列产品选型。

包括: HoAR0210/ HoAR0402/ HoAR0603/ HoAR0805/ HoAR1206/ HoAR1210/ HoAR2010/ HoAR2512/

### 产品特点 Features:

先进的薄膜技术, 高精度低至±0.01%

低温漂 TCR 低至±1PPM /°C

电阻范围 1mR~3MR 微型尺寸 0201 可用 符合 ROHS 要求

### 产品名称 Product Name

贴片陶瓷电阻

### 产品型号 Product number

| Ho      | AR      | 2512 | 1/2W    | 10R        | 1%      | 50ppm          |
|---------|---------|------|---------|------------|---------|----------------|
| 供应商     | 产品系列    | 封装   | 额定功率(W) | 阻值(mR)     | 精度(%)   | 温度系数 TCR (ppm) |
| Ho 毫欧电子 | AR 陶瓷贴片 | 0201 | 1/32    | 49.9R~33KR | 0.1%~1% | 25~50          |
|         |         | 0402 | 1/16    | 4.7R~511KR | 0.1%~1% | 5~50           |
|         |         | 0603 | 1/16    | 1R~511KR   | 0.1%~1% | 10~50          |
|         |         | 0805 | 1/10    | 1R~200KR   | 0.1%~1% | 5~50           |
|         |         | 1206 | 1/8     | 1R~499KR   | 0.1%~1% | 5~50           |
|         |         | 1210 | 1/4     | 1R~499KR   | 0.1%~1% | 5~50           |
|         |         | 2010 | 1/4     | 1R~499KR   | 0.1%~1% | 5~50           |
|         |         | 2512 | 1/2     | 1R~499KR   | 0.1%~1% | 5~50           |



地址: 深圳市龙华新区观澜大布头路南通邦高新产业园 A 栋 8 楼

■ 产品尺寸 Product Size

| <ol style="list-style-type: none"> <li>1. Alumina Substrate</li> <li>2. Bottom Electrode</li> <li>3. Top Electrode</li> <li>4. Edge Electrode</li> <li>5. Barrier Layer</li> <li>6. External Electrode</li> <li>7. Resistor Layer</li> <li>8. Primary Overcoat</li> <li>9. Secondary Overcoat</li> </ol> |  |           |           |           |           |
|--|--|-----------|-----------|-----------|-----------|
| 产品尺寸:  |  |           |           |           |           |
| 型号   | L(mm)  | W(mm)     | T(mm)     | D1(mm)    | D2(mm)    |
| HoAR 0201  | 0.58±0.05  | 0.29±0.05 | 0.23±0.05 | 0.12±0.05 | 0.15±0.05 |
| HoAR0402   | 1±0.05   | 0.5±0.05  | 0.30±0.05 | 0.2±0.1   | 0.2±0.1   |
| HoAR0603   | 1.55±0.1   | 0.8±0.1   | 0.45±0.1  | 0.3±0.2   | 0.3±0.2   |
| HoAR0805   | 2±0.15   | 1.25±0.15 | 0.55±0.1  | 0.30±0.2  | 0.4±0.20  |
| HoAR 1206  | 3.05±0.15  | 1.55±0.15 | 0.55±0.1  | 0.42±0.2  | 0.35±0.25 |
| HoAR1210   | 3.1±0.15   | 2.4±0.15  | 0.55±0.1  | 0.4±0.2   | 0.55±0.25 |
| HoAR2010   | 4.9±0.15   | 2.4±0.15  | 0.55±0.1  | 0.6±0.3   | 0.5±0.25  |
| HoAR 2512  | 6.3±0.15   | 3.1±0.15  | 0.55±0.1  | 0.6±0.3   | 0.5±0.25  |

■ 电气参数 Electrical parameter

|                                    |              |
|------------------------------------|--------------|
| 额定功率 Rated power                   | 1/32~1W      |
| 阻值范围 Resistance range              | 1R~511KR     |
| 额定压降 Max. Operating Voltage        | 15V~400V     |
| 准确度等级 AccuracyClass                | 0.1%、1%      |
| 电阻温度系数 T.C.R ( ppm / °C )          | ±5~±50       |
| 工作温度范围 Operating Temperature Range | -55°C~+155°C |

地址：深圳市龙华新区观澜大布头路南通邦高新产业园 A 栋 8 楼

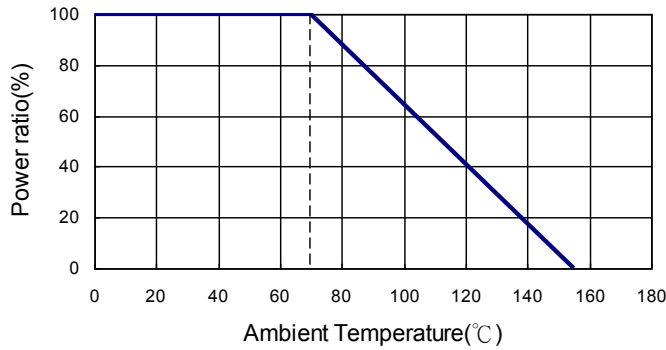


# HoAR 贴片陶瓷系列规格书

|      |            |
|------|------------|
| 系列号  | HoAR       |
| 修订日期 | 2019-04-16 |
| 版本号  | Ho-A0      |

## ■ 功率曲线 Power curve

操作温度范围 -55 ~ +155 °C 电阻温度达到 70°C 时降功率示意图



## ■ 额定电流计算公式 The rated current is calculated by the following Formu

I : Rated Current (A)

P: Rated Power (W)

R: Resistance Value (Ω)

$$I = \sqrt{P/R}$$

## ■ 标准电气规范 (低阻值) Standard Electrical Specifications (Lower Resistance)

| Item Type   | Power Rating at 70°C | Operating Temp. Range | Max. Operating Voltage | Max. Overload Voltage | Resistance Range |               |              |                |     | TCR (PPM/°C) |
|-------------|----------------------|-----------------------|------------------------|-----------------------|------------------|---------------|--------------|----------------|-----|--------------|
|             |                      |                       |                        |                       | ±0.05%           | ±0.1%         | ±0.25%       | ±0.5%          | ±1% |              |
| HoAR0201    | 1/32W                | -55 ~ +155°C          | 15V                    | 30V                   | —                |               |              |                |     | ±25          |
|             |                      |                       |                        |                       |                  |               |              | 49.9Ω - 4.99KΩ |     | ±50          |
| HoAR(0402)  | 1/16W                | -55 ~ +155°C          | 25V                    | 50V                   | 49.9Ω - 12KΩ     | 10Ω - 511KΩ   | 4.7Ω - 511KΩ |                |     | ±25,±50      |
| HoAR (0603) | 1/16W                | -55 ~ +155°C          | 50V                    | 100V                  | 4.7Ω - 332KΩ     | 4.7Ω - 1MΩ    | 1Ω - 1MΩ     |                |     | ±25,±50      |
| HoAR(0805)  | 1/10W                | -55 ~ +155°C          | 100V                   | 200V                  | 4.7Ω - 1MΩ       | 4.7Ω - 2MΩ    | 1Ω - 2MΩ     |                |     | ±25,±50      |
| HoAR (1206) | 1/8W                 | -55 ~ +155°C          | 150V                   | 300V                  | 4.7Ω - 1MΩ       | 4.7Ω - 2.49MΩ | 1Ω - 2.49MΩ  |                |     | ±25,±50      |
| HoAR(1210)  | 1/4W                 |                       |                        |                       |                  |               |              |                |     |              |
| HoAR(2010)  | 1/4W                 | -55 ~ +155°C          | 150V                   | 300V                  | 4.7Ω - 1MΩ       | 4.7Ω - 3MΩ    | 1Ω - 3MΩ     |                |     | ±25,±50      |
| HoAR (2512) | 1/2W                 |                       |                        |                       |                  |               |              |                |     |              |

地址：深圳市龙华新区观澜大布头路南通邦高新产业园 A 栋 8 楼



# HoAR 贴片陶瓷系列规格书

|      |            |
|------|------------|
| 系列号  | HoAR       |
| 修订日期 | 2019-04-16 |
| 版本号  | Ho-A0      |

## ■ 特殊电气规格 Special Electrical Specifications

| Item Type   | Power Rating at 70°C | Operating Temp. Range | Max. Operating Voltage | Max. Overload Voltage | Resistance Range |              |                |        |       |          | TCR (PPM/°C) |
|-------------|----------------------|-----------------------|------------------------|-----------------------|------------------|--------------|----------------|--------|-------|----------|--------------|
|             |                      |                       |                        |                       | ±0.01%           | ±0.05%       | ±0.1%          | ±0.25% | ±0.5% | ±1%      |              |
| HoAR(0402)  | 1/16W                | -55 ~ +155°C          | 25V                    | 50V                   | 49.9Ω - 4.99KΩ   |              | -              |        |       |          | ±1, ±2, ±3   |
|             |                      |                       |                        |                       | 49.9Ω - 20KΩ     |              |                |        |       |          | ±5           |
|             |                      |                       |                        |                       | 49.9Ω - 20KΩ     |              | 49.9Ω - 100KΩ  |        |       |          | ±10          |
|             |                      |                       |                        |                       |                  |              | 49.9Ω - 69.8KΩ |        |       |          | ±15          |
| HoAR (0603) | 1/16W                | -55 ~ +155°C          | 50V                    | 100V                  | 24.9Ω - 15KΩ     |              | -              |        |       |          | ±1, ±2, ±3   |
|             |                      |                       |                        |                       | 24.9Ω - 60KΩ     |              |                |        |       |          | ±5           |
|             |                      |                       |                        |                       | 24.9Ω - 100KΩ    | 4.7Ω - 332KΩ | 4.7Ω - 511KΩ   |        |       |          | ±10, ±15     |
|             |                      |                       |                        |                       |                  |              |                |        |       |          |              |
| HoAR(0805)  | 1/10W                | -55 ~ +155°C          | 100V                   | 200V                  | 24.9Ω - 30KΩ     |              | -              |        |       |          | ±1, ±2, ±3   |
|             |                      |                       |                        |                       | 24.9Ω - 150KΩ    |              |                |        |       |          | ±5           |
|             |                      |                       |                        |                       | 24.9Ω - 200KΩ    | 4.7Ω - 1MΩ   |                |        |       | ±10, ±15 |              |
|             |                      |                       |                        |                       |                  |              |                |        |       |          |              |
| HoAR (1206) | 1/8W                 | -55 ~ +155°C          | 150V                   | 300V                  | 24.9Ω - 49.9KΩ   |              | -              |        |       |          | ±1, ±2, ±3   |
|             |                      |                       |                        |                       | 24.9Ω - 300KΩ    |              |                |        |       |          | ±5           |
|             |                      |                       |                        |                       | 24.9Ω - 499KΩ    | 4.7Ω - 1.5MΩ |                |        |       | ±10, ±15 |              |
|             |                      |                       |                        |                       |                  |              |                |        |       |          |              |
| HoAR (1210) | 1/4W                 | -55 ~ +155°C          | 150V                   | 300V                  | 24.9Ω - 49.9KΩ   |              | -              |        |       |          | ±1, ±2, ±3   |
|             |                      |                       |                        |                       | 24.9Ω - 300KΩ    |              |                |        |       |          | ±5           |
|             |                      |                       |                        |                       | 24.9Ω - 499KΩ    | 4.7Ω - 1MΩ   |                |        |       | ±10, ±15 |              |
|             |                      |                       |                        |                       |                  |              |                |        |       |          |              |
| HoAR (2010) | 1/4W                 | -55 ~ +155°C          | 150V                   | 300V                  | 24.9Ω - 100KΩ    |              | -              |        |       |          | ±1, ±2, ±3   |
|             |                      |                       |                        |                       | 24.9Ω - 300KΩ    |              |                |        |       |          | ±5           |
|             |                      |                       |                        |                       | 24.9Ω - 499KΩ    | 4.7Ω - 1MΩ   |                |        |       | ±10, ±15 |              |
|             |                      |                       |                        |                       |                  |              |                |        |       |          |              |
| HoAR(2512)  | 1/2W                 | -55 ~ +155°C          | 150V                   | 300V                  | 24.9Ω - 100KΩ    |              | -              |        |       |          | ±1, ±2, ±3   |
|             |                      |                       |                        |                       | 24.9Ω - 300KΩ    |              |                |        |       |          | ±5           |
|             |                      |                       |                        |                       | 24.9Ω - 499KΩ    | 4.7Ω - 1MΩ   |                |        |       | ±10, ±15 |              |
|             |                      |                       |                        |                       |                  |              |                |        |       |          |              |

地址：深圳市龙华新区观澜大布头南通邦高新产业园 A 栋 8 楼



# HoAR 贴片陶瓷系列规格书

|      |            |
|------|------------|
| 系列号  | HoAR       |
| 修订日期 | 2019-04-16 |
| 版本号  | Ho-A0      |

## ■ 高功率等级电气规范 / High Power Rating Electrical Specification

| Item Type   | Power Rating at 70°C | Operating Temp. Range | Max. Operating Voltage | Max. Overload Voltage | Resistance Range |                    |              |                |          |                    | TCR (PPM/°C) |
|-------------|----------------------|-----------------------|------------------------|-----------------------|------------------|--------------------|--------------|----------------|----------|--------------------|--------------|
|             |                      |                       |                        |                       | ±0.01%           | ±0.05%             | ±0.1%        | ±0.25%         | ±0.5%    | ±1%                |              |
| HoAR (0402) | 1/10W                | -55 ~ +155°C          | 50V                    | 100V                  | 49.9Ω - 4.99KΩ   |                    |              | -              |          |                    | ±1, ±2, ±3   |
|             |                      |                       |                        |                       | 49.9Ω - 4.99KΩ   |                    |              |                |          |                    | ±5           |
|             |                      |                       |                        |                       | 49.9Ω - 12KΩ     |                    |              | 49.9Ω - 60KΩ   |          |                    | ±10          |
|             |                      |                       |                        |                       |                  |                    |              | 49.9Ω - 69.8KΩ |          |                    | ±15          |
| -           | 49.9Ω - 12KΩ         | 10Ω - 255KΩ           | 4.7Ω ~ 255KΩ           |                       |                  | ±25, ±50           |              |                |          |                    |              |
| HoAR (0603) | 1/10W                | -55 ~ +155°C          | 75V                    | 150V                  | 24.9Ω - 15KΩ     |                    |              | -              |          |                    | ±1, ±2, ±3   |
|             |                      |                       |                        |                       | 24.9Ω - 15KΩ     |                    |              |                |          |                    | ±5           |
|             |                      |                       |                        |                       | 24.9Ω - 100KΩ    | 4.7Ω - 332KΩ       | 4.7Ω - 332KΩ |                |          | ±10, ±15           |              |
|             | 4.7Ω - 1MΩ           |                       |                        | ±25, ±50              |                  |                    |              |                |          |                    |              |
| 1/6W        | -55 ~ +155°C         | 100V                  | 150V                   | -                     | 10Ω - 332KΩ      |                    |              |                | ±25, ±50 |                    |              |
| HoAR(0805)  | 1/8W                 | -55 ~ +155°C          | 150V                   | 300V                  | 24.9Ω - 30KΩ     |                    |              | -              |          |                    | ±1, ±2, ±3   |
|             |                      |                       |                        |                       | 24.9Ω - 30KΩ     |                    |              |                |          |                    | ±5           |
|             |                      |                       |                        |                       | 24.9Ω - 200KΩ    | 4.7Ω - 511KΩ       | 4.7Ω - 511KΩ |                |          | ±10                |              |
|             | 4.7Ω - 1MΩ           |                       |                        | ±15                   |                  |                    |              |                |          |                    |              |
| 1/4W        | -55 ~ +155°C         | 150V                  | 300V                   | -                     | 10Ω - 499KΩ      |                    |              |                | ±25, ±50 |                    |              |
| HoAR (1206) | 1/4W                 | -55 ~ +155°C          | 200V                   | 400V                  | 24.9Ω - 49.9KΩ   |                    |              | -              |          |                    | ±1, ±2, ±3   |
|             |                      |                       |                        |                       | 24.9Ω - 49.9KΩ   |                    |              |                |          |                    | ±5           |
|             | 24.9Ω - 499KΩ        | 4.7Ω - 1MΩ            |                        |                       |                  | ±10, ±15, ±25, ±50 |              |                |          |                    |              |
| 1/3W        | -55 ~ +155°C         | 200V                  | 400V                   | -                     | 10Ω ~ 1MΩ        |                    |              |                | ±25, ±50 |                    |              |
| HoAR(1210)  | 1/3W                 | -55 ~ +155°C          | 200V                   | 400V                  | 24.9Ω - 49.9KΩ   |                    |              | -              |          |                    | ±1, ±2, ±3   |
|             |                      |                       |                        |                       | 24.9Ω - 49.9KΩ   |                    |              |                |          |                    | ±5           |
|             |                      |                       |                        |                       | 24.9Ω - 499KΩ    | 4.7Ω - 1MΩ         |              |                |          | ±10, ±15, ±25, ±50 |              |
| HoAR(2010)  | 1/3W                 | -55 ~ +155°C          | 200V                   | 400V                  | 24.9Ω - 49.9KΩ   |                    |              | -              |          |                    | ±1, ±2, ±3   |
|             |                      |                       |                        |                       | 24.9Ω - 49.9KΩ   |                    |              |                |          |                    | ±5           |
|             |                      |                       |                        |                       | 24.9Ω - 499KΩ    | 4.7Ω - 1MΩ         |              |                |          | ±10, ±15, ±25, ±50 |              |
| HoAR(2512)  | 3/4W                 | -55 ~ +155°C          | 200V                   | 400V                  | 24.9Ω - 2KΩ      | 4.7Ω - 2KΩ         |              | 1Ω - 2KΩ       |          | ±10, ±15, ±25, ±50 |              |
|             | 1W                   | -55 ~ +155°C          | 200V                   | 400V                  | -                | 4.7Ω - 100Ω        | 1Ω - 100Ω    |                | ±25, ±50 |                    |              |

Operating Voltage =  $\sqrt{P \cdot R}$  or Max. operating voltage listed above, whichever is lower.  
 Overload Voltage =  $2.5 \cdot \sqrt{P \cdot R}$  or Max. overload voltage listed above, whichever is lower.

地址：深圳市龙华新区观澜大布头路南通邦高新产业园 A 栋 8 楼



# HoAR 贴片陶瓷系列规格书

|      |            |
|------|------------|
| 系列号  | HoAR       |
| 修订日期 | 2019-04-16 |
| 版本号  | Ho-A0      |

## ■ 环境特征 Environmental Characteristics

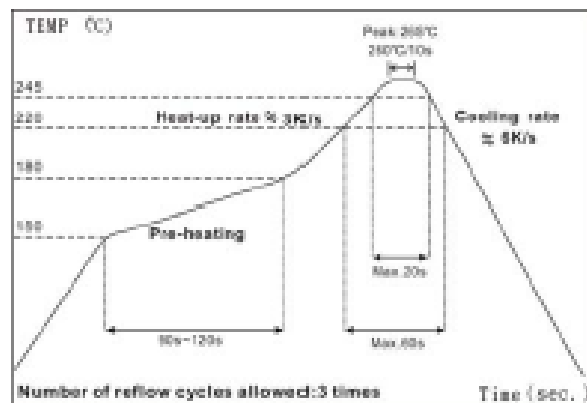
| Item   | Requirement                   |              | Test Method  |
|--|-------------------------------|--------------|--|
|  | Tol. ≤ 0.05%                  | Tol. > 0.05% |  |
| Temperature Coefficient of Resistance (T.C.R.) | As Spec.                      |              | MIL-STD-202 Method 304<br>+25/-55/+25/+125/+25°C   |
| Short Time Overload                            | ΔR±0.05%                      | ΔR±0.2%      | JIS-C-5201-1 4.13<br>RCWV*2.5 or Max. overload voltage whichever is lower for 5 seconds              |
|  | ΔR±0.2% for high power rating |              |  |
| Insulation Resistance                          | >9999 MΩ                      |              | MIL-STD-202 Method 302<br>Apply 100V <sub>DC</sub> for 1 minute                                      |
| Endurance                                      | ΔR±0.05%                      | ΔR±0.2%      | MIL-STD-202 Method 108A<br>70±2°C, RCWV for 1000 hrs with 1.5 hrs "ON" and 0.5 hrs "OFF"             |
|  | >7kΩ ΔR±0.5%                  |              |  |
|  | ΔR±0.5% for high power rating |              |  |
| Damp Heat with Load                            | ΔR±0.05%                      | ΔR±0.3%      | MIL-STD-202 Method 103B<br>40±2°C, 90~95% R.H. RCWV for 1000 hrs with 1.5 hrs "ON" and 0.5 hrs "OFF" |
|  | ΔR±0.5% for high power rating |              |  |
| Bending Strength                               | ΔR±0.05%                      | ΔR±0.1%      | JIS-C-5201-1 4.33<br>Bending amplitude 3 mm for 10 seconds   |
| Solderability                                  | 95% min. coverage             |              | MIL-STD-202 Method 208H<br>245±5°C for 3 seconds   |
| Resistance to Soldering Heat                   | ΔR±0.05%                      | ΔR±0.1%      | MIL-STD-202 Method 210E<br>260±5°C for 10 seconds  |
| Dielectric Withstand Voltage                   | By Type                       |              | MIL-STD-202 Method 301<br>Max. overload voltage for 1 minute   |
| Thermal Shock                                  | ΔR±0.05%                      | ΔR±0.2%      | MIL-STD-202 Method 107G<br>-55°C ~150°C, 100 cycles  |
| Low Temperature Operation                      | ΔR±0.05%                      | ΔR±0.2%      | JIS-C-5201-1 4.36<br>1 hour, -65°C, followed by 45 minutes of RCWV                                   |
|  | ΔR±0.5% for high power rating |              |  |
| High Temperature Exposure                      | ΔR±0.5%                       |              | MIL-STD-202 Method 108<br>at +155°C for 1000 hrs   |

(Rated continuous working voltage)=  $\sqrt{P \cdot R}$  or Max. Operating voltage whichever is lower ■

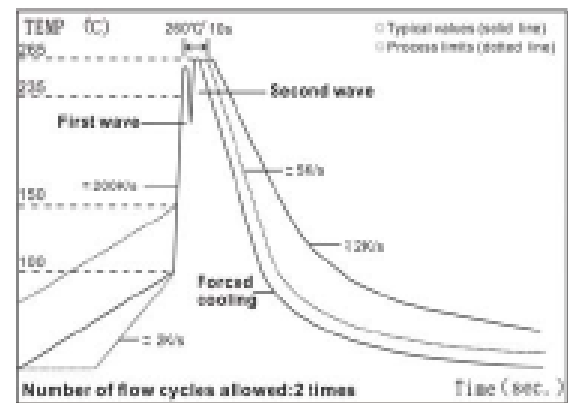
**Storage Temperature: 15-28°C; Humidity < 80%RH**

- 最高温度260° C下进行回流焊接的时间：10s
- 最高温度点260° C下波峰焊接的时间：10s
- 最高温度410°C下烙铁的时间：5s

回流焊曲线图



波峰焊曲线图



地址：深圳市龙华新区观澜大布头南通邦高新产业园 A 栋 8 楼

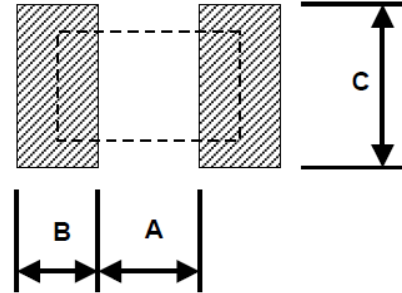


# HoAR 贴片陶瓷系列规格书

|      |            |
|------|------------|
| 系列号  | HoAR       |
| 修订日期 | 2019-04-16 |
| 版本号  | Ho-A0      |

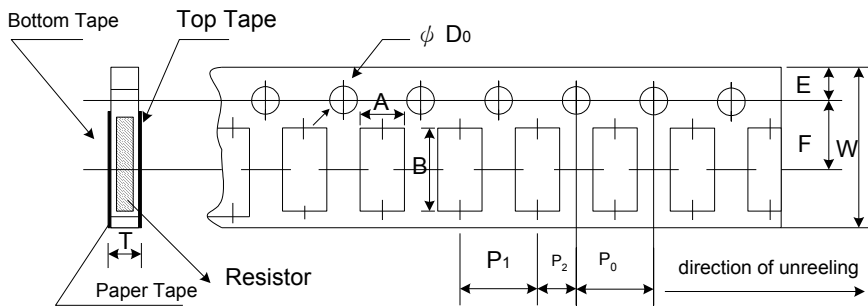
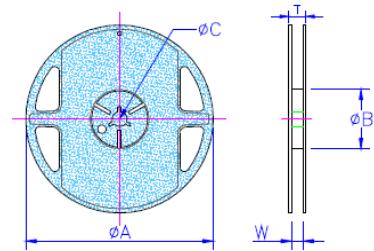
## 建议焊盘尺寸 Recommended Solder Pad Dimension

| 型号        | A(mm) | B(mm) | C(mm)    |
|-----------|-------|-------|----------|
| HoAR 0201 | 0.25  | 0.3   | 0.4±0.2  |
| HoAR0402  | 0.5   | 0.5   | 0.6±0.2  |
| HoAR0603  | 0.8   | 1     | 0.9±0.2  |
| HoAR0805  | 1.0   | 1     | 1.35±0.2 |
| HoAR 1206 | 2.0   | 1.15  | 1.7±0.2  |
| HoAR1210  | 2.0   | 1.15  | 2.5±0.2  |
| HoAR2010  | 3.6   | 1.4   | 2.5±0.2  |
| HoAR 2512 | 4.9   | 1.6   | 3.1±0.2  |



## 卷轴规格 / 包装方式 Reel Specification / Packing Unit : mm

| Type     | ØA        | ØB       | ØC       | W        | T        | Paper Tape (EA) | Emboss Plastic Tape (EA) |
|----------|-----------|----------|----------|----------|----------|-----------------|--------------------------|
| HoAR0201 | 178.0±1.0 | 60.0±1.0 | 13.5±0.7 | 9.5±1.0  | 11.5±1.0 | 10,000          | -                        |
| HoAR0402 | 178.0±1.0 | 60.0±1.0 | 13.5±0.7 | 9.5±1.0  | 11.5±1.0 | 10,000          | -                        |
| HoAR0603 | 178.0±1.0 | 60.0±1.0 | 13.5±0.7 | 9.5±1.0  | 11.5±1.0 | 5,000           | -                        |
| HoAR0805 | 178.0±1.0 | 60.0±1.0 | 13.5±0.7 | 9.5±1.0  | 11.5±1.0 | 5,000           | -                        |
| HoAR1206 | 178.0±1.0 | 60.0±1.0 | 13.5±0.7 | 9.5±1.0  | 11.5±1.0 | 5,000           | -                        |
| HoAR1210 | 178.0±1.0 | 60.0±1.0 | 13.5±0.7 | 9.5±1.0  | 11.5±1.0 | 5,000           | -                        |
| HoAR2010 | 178.0±1.0 | 60.0±1.0 | 13.5±0.7 | 13.5±1.0 | 15.5±1.0 | -               | 4,000                    |
| HoAR2512 | 178.0±1.0 | 60.0±1.0 | 13.5±0.7 | 13.5±1.0 | 15.5±1.0 | -               | 4,000                    |



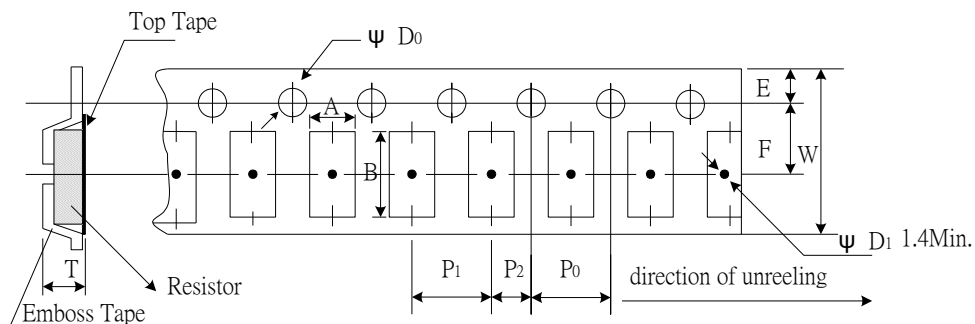
Unit: mm

| Type     | A         | B         | W         | E         | F        | P <sub>0</sub> | P <sub>1</sub> | P <sub>2</sub> | ΦD <sub>0</sub> | T         |
|----------|-----------|-----------|-----------|-----------|----------|----------------|----------------|----------------|-----------------|-----------|
| HoAR0201 | 0.40±0.05 | 0.70±0.05 | 8.00±0.10 | 1.75±0.05 | 3.5±0.05 | 4.00±0.10      | 2.00±0.05      | 2.00±0.05      | 1.55±0.03       | 0.42±0.02 |
| HoAR0402 | 0.70±0.05 | 1.16±0.05 | 8.00±0.10 | 1.75±0.05 | 3.5±0.05 | 4.00±0.10      | 2.00±0.05      | 2.00±0.05      | 1.55±0.05       | 0.40±0.03 |
| HoAR0603 | 1.10±0.05 | 1.90±0.05 | 8.00±0.10 | 1.75±0.05 | 3.5±0.05 | 4.00±0.10      | 4.00±0.10      | 2.00±0.05      | 1.55±0.05       | 0.60±0.03 |
| HoAR0805 | 1.60±0.05 | 2.37±0.05 | 8.00±0.10 | 1.75±0.05 | 3.5±0.05 | 4.00±0.10      | 4.00±0.10      | 2.00±0.05      | 1.55±0.05       | 0.75±0.05 |
| HoAR1206 | 2.00±0.05 | 3.55±0.05 | 8.00±0.10 | 1.75±0.05 | 3.5±0.05 | 4.00±0.10      | 4.00±0.10      | 2.00±0.05      | 1.55±0.05       | 0.75±0.05 |
| HoAR1210 | 2.75±0.05 | 3.40±0.05 | 8.00±0.10 | 1.75±0.05 | 3.5±0.05 | 4.00±0.05      | 4.00±0.10      | 2.00±0.05      | 1.60±0.10       | 0.75±0.05 |

顶盖胶带的剥离力应在8gf至60gf之间

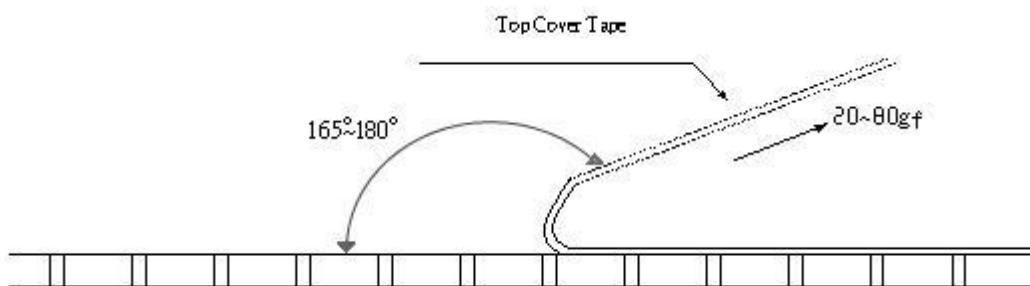
地址：深圳市龙华新区观澜大布头路南通邦高新产业园 A 栋 8 楼

|      |            |
|------|------------|
| 系列号  | HoAR       |
| 修订日期 | 2019-04-16 |
| 版本号  | Ho-A0      |



Unit: mm

| Type     | A         | B         | W         | E         | F        | P <sub>0</sub> | P <sub>1</sub> | P <sub>2</sub> | ØD <sub>0</sub> | T         |
|----------|-----------|-----------|-----------|-----------|----------|----------------|----------------|----------------|-----------------|-----------|
| HoAR2010 | 2.85±0.10 | 5.45±0.10 | 12.0±0.10 | 1.75±0.10 | 5.5±0.05 | 4.00±0.05      | 4.00±0.10      | 2.00±0.05      | 1.50±0.10       | 1.00±0.20 |
| HoAR2512 | 3.40±0.10 | 6.65±0.10 | 12.0±0.10 | 1.75±0.10 | 5.5±0.05 | 4.00±0.05      | 4.00±0.10      | 2.00±0.05      | 1.50±0.10       | 1.00±0.20 |



顶盖胶带的剥离力  
剥离速度约为300mm / min ± 5%  
顶盖胶带的剥离力应在20gf至80gf之间

地址：深圳市龙华新区观澜大布头路南通邦高新产业园 A 栋 8 楼



## X-ON Electronics

Largest Supplier of Electrical and Electronic Components

*Click to view similar products for [Thick Film Resistors - SMD category](#):*

*Click to view products by [Milliohm manufacturer](#):*

Other Similar products are found below :

[CR-05FL7--150R](#) [CR-05FL7--19K6](#) [CR-05FL7--243R](#) [CR-05FL7--40K2](#) [CR-05FL7--698K](#) [CR-12FP4--324R](#) [CR-12JP4--680R](#)

[M55342K06B1E78RS3](#) [M55342K06B6E19RWL](#) [M55342K06B6E81RS3](#) [M55342M05B200DRWB](#) [M55342M06B4K70MS3](#) [MC0603-511-](#)

[JTW](#) [742C083750JTR](#) [MCR01MZPF1202](#) [MCR01MZPF1601](#) [MCR01MZPF1800](#) [MCR01MZPF6201](#) [MCR01MZPF9102](#) [MCR01MZPJ113](#)

[MCR01MZPJ121](#) [MCR01MZPJ125](#) [MCR01MZPJ751](#) [MCR03EZHZ103](#) [MCR03EZPF2004](#) [MCR03EZPJ270](#) [MCR03EZPJ821](#)

[MCR10EZPF1102](#) [MCR18EZPJ330](#) [RC0603F1473CS](#) [RC0603F150CS](#) [RC1005F1152CS](#) [RC1005F1182CS](#) [RC1005F1372CS](#)

[RC1005F183CS](#) [RC1005F1911CS](#) [RC1005F1912CS](#) [RC1005F203CS](#) [RC1005F2052CS](#) [RC1005F241CS](#) [RC1005F2431CS](#)

[RC1005F3011CS](#) [RC1005F303CS](#) [RC1005F4321CS](#) [RC1005F4642CS](#) [RC1005F471CS](#) [RC1005F4751CS](#) [RC1005F5621CS](#)

[RC1005F6041CS](#) [RC1005J106CS](#)