

规格书 Specification

制造商:深圳市毫欧电子有限公司

HoYLR2512

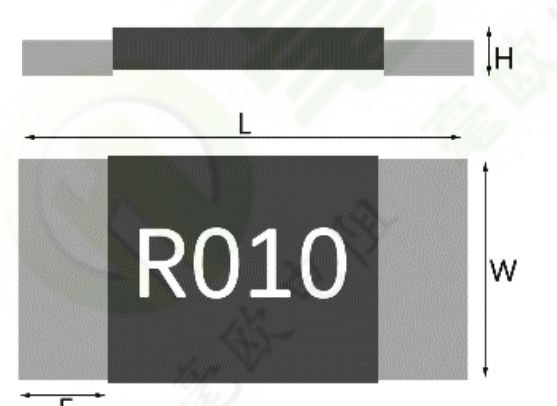
适用:本规格书适用于深圳市毫欧电子有限公司封体合金电阻 HoYLR2512系列产品选型。

■ 产品型号Product number

例: HoYLR2512-2W-2mR-1%

| Ho | YLR | 2512 | 2W | 2mR | 1% |
|------|------|------|----|-------------|-------------------------|
| ↓ | ↓ | ↓ | ↓ | ↓ | ↓ |
| 制造商 | 产品类别 | 封装 | 功率 | 阻值 | 精度 |
| 毫欧电子 | 封体合金 | 2512 | 2W | 0.5mR~500mR | F=±1% G=±2% J=±5% |

■ 产品结构及尺寸 Product structure and size (Unit:mm)




$R \leq 4mR, H = 0.8 \pm 0.2mm$, $R > 4mR, H = 0.65 \pm 0.2mm$

| 封装 | 阻值 | L | W | E | H |
|------|--------------|---------------|---------------|---------------|----------------|
| 2512 | $R \leq 4mR$ | 6.4 ± 0.2 | 3.2 ± 0.2 | 1.0 ± 0.2 | 0.8 ± 0.2 |
| | $R > 4mR$ | | | | 0.65 ± 0.2 |



地址: 深圳市龙华新区观澜大布头路南通邦高新产业园 A 栋 8 楼

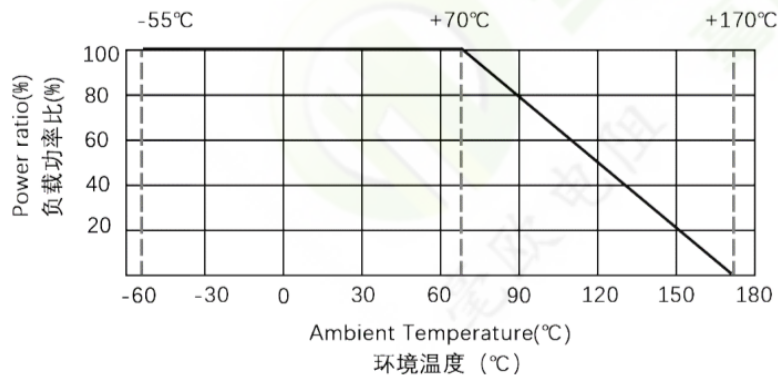
| | | | |
|-----------------------------------------------------------------------------------|--------------------|------|------------|
|  | HoYLR2512封体合金系列规格书 | 系列号 | HoYLR |
| | | 修订日期 | 2022-12-12 |
| | | 版本号 | Ho-A0 |

■ 电气规格 Electrical Specifications :

| 类型 type | 功率 power | 阻值范围 Resistance range | 温度系数 TCR | 工作温度范围 Operating temperature range | 阻值精度 Resistance tolerance | 绝缘阻抗 Insulation resistance | 最大工作电压 Maximum operating voltage (V) |
|------------|-------------|-------------------------------------------------|------------------------------------|---------------------------------------------|---------------------------------|----------------------------------|-----------------------------------------------|
| 2512 | 2W | $0.5\text{m}\Omega \leq R < 1\text{m}\Omega$ | $\pm 350\text{ppm}/^\circ\text{C}$ | $-55^\circ\text{C} \sim +170^\circ\text{C}$ | F: 1% G: 2% J: 5% | Over 100M Ω | $(P \cdot R)^{1/2}$ |
| | | $1\text{m}\Omega \leq R < 2\text{m}\Omega$ | $\pm 100\text{ppm}/^\circ\text{C}$ | | | | |
| | | $2\text{m}\Omega \leq R \leq 500\text{m}\Omega$ | $\pm 50\text{ppm}/^\circ\text{C}$ | | | | |

■ 功率曲线 Power curve

操作温度范围 - 50 ~ +170 °C 电阻温度达到 70°C 时降功率 示意图



地址：深圳市龙华新区观澜大布头路南通邦高新产业园 A 栋 8 楼



HoYLR2512封体合金系列规格书

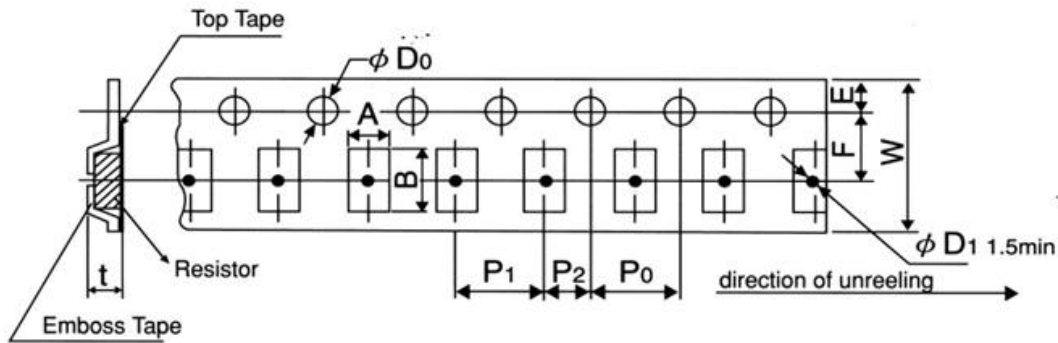
| | |
|------|------------|
| 系列号 | HoYLR |
| 修订日期 | 2022-12-12 |
| 版本号 | Ho-A0 |

■ 可靠性测试 Reliability Tests

| 项目 Project | 检测方法Test Method (依据标准Refer to IEC 60115,60068; JIS-C 5201-1) | 规格和要求 Specifications and Requirements |
|---------------------------------------|------------------------------------------------------------------------------------------------------------------------------------------------------------------------------------------------------------------------------------------|------------------------------------------------------------------------------------------|
| 温度系数 Temperature coefficient (TCR) | 25°C (T1、R1)、125°C(T2、R2)条件下分别测量阻值, 计算 $TCR=(R2-R1)/(R1(T2-T1)) * 10^6$ Resistance values were measured at 25°C(T1, R1) and 125°C(T2, R2), and TCR was calculated as $(R2-R1)/(R1(T2-T1)) * 10^6$ | 参考物理特性TCR规格 Refer to TCR specifications for physical features |
| 短时间过载 ShortTimeOverload | 5倍额定功率, 保持5s 5 times rated power, maintain 5s | $\Delta R \leq \pm (1\%+0.05m\Omega)$ |
| 绝缘电阻 Insulation resistance | 在电极与基片间施加100V±15V直流电压, 保持60s, 然后测绝缘电阻 Apply 100V±15V DC voltage between electrode and substrate, hold for 60 seconds, then measure insulation resistance | > 100 mΩ |
| 耐电压 Withstand voltage | 在电极与基片之间以大约100V/S的速率施加有效值为最大过负荷电压的交流电, 保持60±5s An alternating current with an effective value of the maximum overload voltage is applied between the electrode and the substrate at a rate of approximately 100V/S, maintaining 60±5s | 无击穿或飞弧 No breakdown or arc |
| 焊锡性 solderability | 245°C±5°C 锡槽, 保持2s±0.5s 245°C±5°C tin tank, hold 2s±0.5s | 电极上锡面积>95% At least 95% of surface area of electrode shall be covered with new solder |
| 耐热性 Resistance to Soldering Heat | 270°C±5°C 锡槽, 保持10s±1s 270°C±5°C tin tank, hold for 10s±1s | $\Delta R \leq \pm (0.5\%+0.05m\Omega)$, 无可见损伤 no visible damage |
| 弯曲测试 Bending test | 弯曲距离2mm, 保持时间60s±5s Bending distance 2mm, hold time 60s±5s | $\Delta R \leq \pm (0.5\%+0.05m\Omega)$ 无机械损伤 no mechanical damage |
| 耐溶测试 Solvent resistance | 异丙醇(IPA), 23°C±5°C, 浸10小时 Isopropanol (IPA) at 23°C±5°C for 10 hours | 外观无明显损伤 No obvious damage to appearance |
| 长期高温 High Temperature Exposure | 高温170°C放置1000H 170°C±2°C, 1000H, stand for 1H, test the resistance value | $\Delta R \leq \pm (1.0\%+0.05m\Omega)$ |
| 长期低温 Low Temperature Exposure | 低温-55°C放置1000H -55°C±2°C, 1000H, stand for 1H, test the resistance value | $\Delta R \leq \pm (0.5\%+0.05m\Omega)$ |
| 温度循环 Rapid change of Temperature | -55°C 30分钟~常温 5分钟~155°C 30分钟, 1000个循环 -55°C 30 minutes ~ normal temperature 5 minutes ~155°C 30 minutes, 1000 cycles | $\Delta R \leq \pm (0.5\%+0.05m\Omega)$ |
| 长期耐久 Load Life | 70°C±2°C, 1000小时, 额定功率, 通1.5小时/断0.5小时 70°C±2°C, 1000 hours, rated power, 1.5 hours on / 0.5 hours off | $\Delta R \leq \pm (1.0\%+0.05m\Omega)$ |
| 长期耐湿 Moisture with Load | 85°C±2°C, 85%±3%RH, 持续 1000 小时, 额定功率, 通1.5小时/断0.5小时 85°C±2°C, 85%±3%RH, 1000 hours, rated power, 1.5 hours on / 0.5 hours off | $\Delta R \leq \pm (1.0\%+0.05m\Omega)$ |

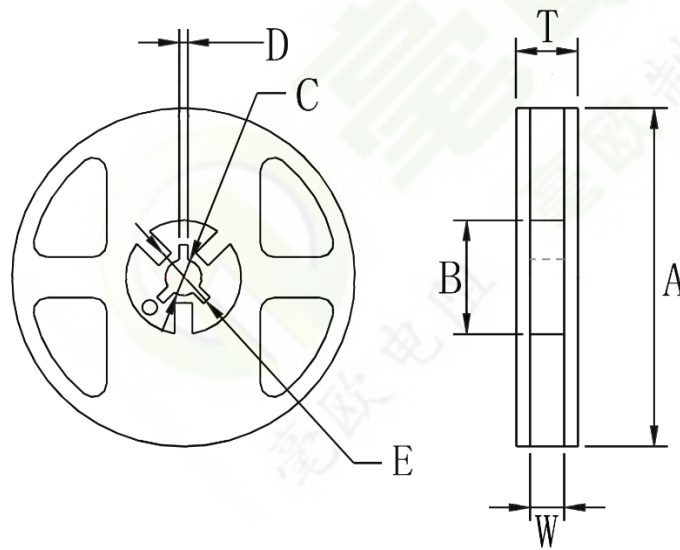
地址: 深圳市龙华新区观澜大布头路南通邦高新产业园 A 栋 8 楼

■ 载带尺寸TAPE PACKAGING DIMENSIONS:



| A | B | W | F | E | P ₁ | P ₂ | P ₀ | D ₀ | t |
|----------|---------|----------|----------|----------|----------------|----------------|----------------|----------------|---------|
| 3.5±0.15 | 6.8±0.1 | 12.0±0.2 | 5.5±0.05 | 1.75±0.1 | 4.0±0.1 | 2.0±0.05 | 4.0±0.05 | 1.5~1.6 | 1.0±0.1 |

■ 卷盘尺寸Reel Dimensions:




| 型号 Type | A | B | C | D | E | T | W |
|------------|---------|--------|--------|---------|-----|----------|----------|
| 2512 | 178±2.0 | 60±1.0 | 13±1.0 | 2.0±0.5 | >22 | 15.4±0.5 | 13.3±0.5 |

■ 包装方式 Packing

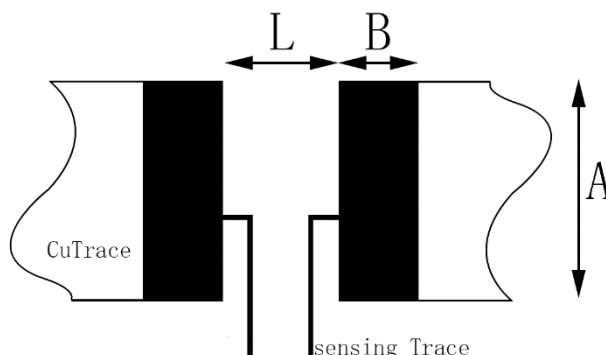
编带盘装：4000PCS/盘

地址：深圳市龙华新区观澜大布头路南通邦高新产业园 A 栋 8 楼

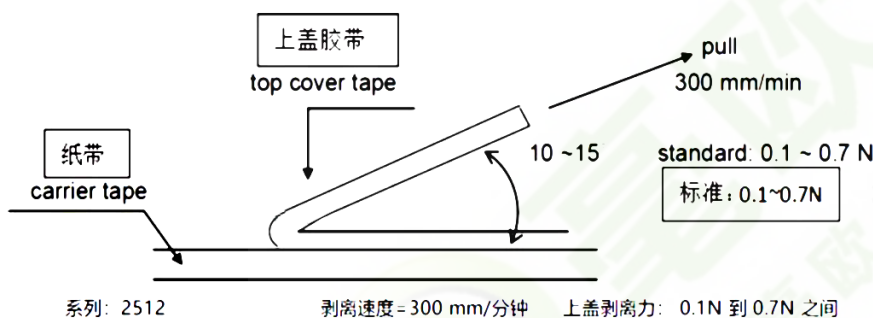
| | | | |
|------------------------------------------------------------------------------------------------|--------------------|------|------------|
|  毫欧电阻 毫欧制造 | HoYLR2512封体合金系列规格书 | 系列号 | HoYLR |
| | | 修订日期 | 2022-12-12 |
| | | 版本号 | Ho-A0 |

■ 焊盘尺寸 : Pad size

| 焊盘 Pattern | 尺寸Size |
|------------|--------|
| A | 4.0 |
| B | 2.1 |
| L | 4.1 |



■ 载带拉力 : Pad size



■ 注意事项 : matters needing attention

- 1, 储存时应注意温度和湿度 (温度 5 ~ 35°C, 相对湿度 45 ~ 75% RH). 湿度尽可能保持在范围内;
Chip resistor shall be stored in a room where temperature and humidity must be controlled.
(temperature 5 to 35°C, humidity 45 to 75% RH) However, a humidity keep it low, as it is possible.
- 2, 不能阳光长时间直接照射产品; Chip resistor shall be stored as direct sunshine doesn't hit on it.
- 3, 不能存储在潮湿, 灰尘及导致焊接性能变差的有害气体环境中(氯化氢气体、亚硫酸气体、硫化氢气体); Chip resistor shall be stored with no moisture, dust, a material that will make solder ability inferior, and a harmful gas (Hydrogen chloride, sulfurous acid gas, and Hydrogen sulfide)
- 4, 保存期限: 1 年; Storage life: 1 year;

地址: 深圳市龙华新区观澜大布头路南通邦高新产业园 A 栋 8 楼

X-ON Electronics

Largest Supplier of Electrical and Electronic Components

Click to view similar products for [Current Sense Resistors - SMD category](#):

Click to view products by [Milliohm manufacturer](#):

Other Similar products are found below :

[CRL0603-FW-R700ELF](#) [CD2015FC-0.10-1%](#) [PR2512FKF7W0R004L](#) [RC1005F124CS](#) [RL73K3AR56JTDF](#) [RL7520WT-R001-F](#)
[RL7520WT-R009-G](#) [RL7520WT-R020-F](#) [LRC-LR2010LF-01-R033J](#) [LRC-LR2512LF-01-R820J](#) [65709-330](#) [SP1R12J](#) [RL7520WT-R039-G](#)
[RL7520WT-R002-F](#) [RL7520WT-R005-F](#) [KRL1632E-C-R200-F-T5](#) [KRL1632E-C-R200-F-T1](#) [Y14880R02000B9R](#) [RLP73M2AR075FTDF](#)
[SR731ERTTP5R10F](#) [SR731ERTTP100J](#) [SR731ERTTP6R80F](#) [SR731ERTTP3R9J](#) [SR731ERTTP8R2J](#) [SR731ERTTP2R0J](#)
[SR731ERTTP4R7J](#) [SR731ERTTP9R1J](#) [SR731ERTTP1R0J](#) [SR731ERTTP2R2J](#) [SR731ERTTP5R1J](#) [SR731ERTTP6R8J](#) [SR731ERTTP9R10F](#)
[FCSL64R007JER](#) [73L4R10G](#) [73L4R75G](#) [73L4R33G](#) [73M1R051F](#) [73WL4R020J](#) [73L2R68J](#) [73L2R22J](#) [73L2R33J](#) [CC1512FC-0.015-5%](#)
[ULRG2-2512-R0075-F-LF-SLT](#) [ULR3N-R00075FT2](#) [ULR3N-R0009FT2](#) [SLN3TTED80L6F](#) [JW104X15X4](#) [JW105X19X5](#)
[HVR06FTEV2403](#) [JW104X5X4](#)