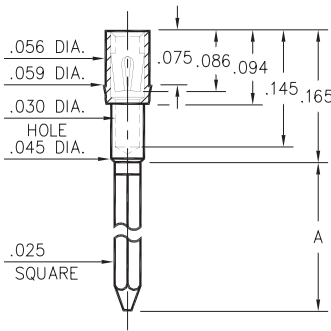


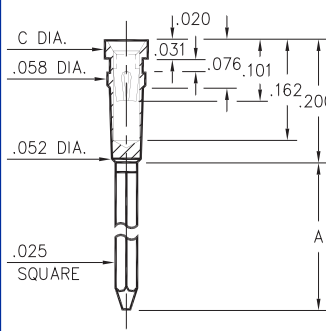
1702/1703



| Basic Part Number | # of Wraps | Length A |
|-------------------|------------|----------|
| 1702-2 | 2 | .370 |
| 1703-3 | 3 | .510 |

170X-X-17-XX-30-XX-02-0
Press-fit in .057 mounting hole

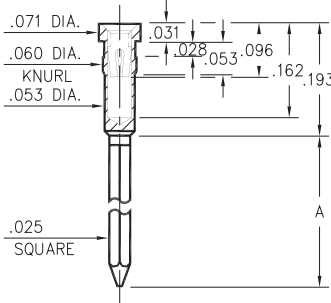
0038⇒0040/0066⇒0068



| Basic Part # | # of Wraps | Length A | Dia. C |
|--------------|------------|----------|--------|
| 0040-1 | 1 | .260 | |
| 0039-2 | 2 | .360 | .072 |
| 0038-3 | 3 | .500 | |
| 0068-1 | 1 | .260 | |
| 0067-2 | 2 | .360 | .062 |
| 0066-3 | 3 | .500 | |

00XX-X-17-XX-30-XX-02-0
Press-fit in .055 mounting hole

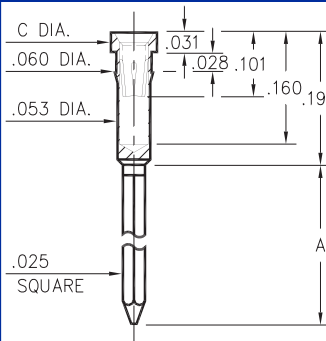
0086/0088/0089



| Basic Part Number | # of Wraps | Length A |
|-------------------|------------|----------|
| 0089-2 | 2 | .370 |
| 0088-3 | 3 | .510 |
| 0086-4 | 4 | .630 |

008X-X-17-XX-3X-XX-02-0
Press-fit in .057 mounting hole

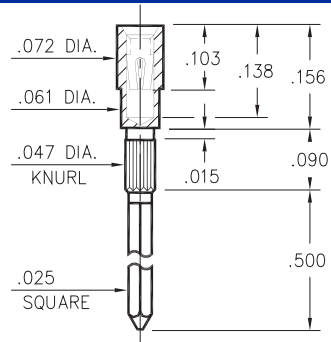
1030⇒1036



| Basic Part # | # of Wraps | Length A | Dia. C |
|--------------|------------|----------|--------|
| 1032-1 | 1 | .260 | |
| 1031-2 | 2 | .360 | .072 |
| 1030-3 | 3 | .510 | |
| 1036-1 | 1 | .260 | |
| 1035-2 | 2 | .360 | .062 |
| 1034-3 | 3 | .510 | |

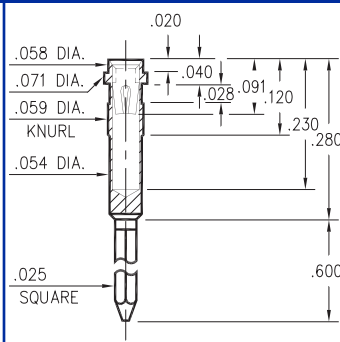
103X-X-17-XX-3X-XX-02-0
Press-fit in .057 mounting hole

1045



1045-3-17-XX-30-XX-02-0
Press-fit in .043 mounting hole

1040



1040-3-17-XX-30-XX-02-0
Press-fit in .056 mounting hole

SPECIFICATIONS

SHELL MATERIAL:
Brass Alloy 360, 1/2 Hard

CONTACT MATERIAL:
Beryllium Copper Alloy 172, HT

DIMENSION IN INCHES
TOLERANCES ON:
LENGTHS: ±.005
DIAMETERS: ±.002
ANGLES: ± 2°

ORDER CODE: XXXX - X - 17 - XX - 3X - XX - 02 - 0

BASIC PART # →

SPECIFY SHELL FINISH: →

01 200μ" TIN/LEAD OVER NICKEL
15 10μ" GOLD OVER NICKEL

SPECIFY CONTACT FINISH: →

02 200μ" TIN/LEAD OVER NICKEL
14 10μ" GOLD OVER NICKEL
27 30μ" GOLD OVER NICKEL

↑
SELECT CONTACT

#30 or #32 CONTACT (DATA ON PAGE 208)

X-ON Electronics

Largest Supplier of Electrical and Electronic Components

Click to view similar products for [IC & Component Sockets](#) category:

Click to view products by [Mill-Max](#) manufacturer:

Other Similar products are found below :

[0066-3-17-15-30-14-02-0](#) [670](#) [672](#) [673](#) [694-13-640-00-672-000](#) [712-93-120-41-001000](#) [714-93-104-31-018000](#) [8059-4G1-LF](#) [807-22-001-10-001101](#) [807-22-001-10-006101](#) [807-22-001-30-011101](#) [807-22-001-30-012101](#) [807-22-001-30-013101](#) [807-22-001-30-014101](#) [8-1437531-4](#) [8150-6P10](#) [833-93-034-10-001000](#) [851-41-006-10-001000](#) [851-43-008-20-001000](#) [851-43-014-20-001000](#) [851-93-006-20-001000](#) [851-93-010-20-001000](#) [853-43-020-10-001000](#) [86.010.0053.0](#) [116-43-308-41-007000](#) [PX-68LCC](#) [121-13-318-41-001000](#) [121-13-320-41-001000](#) [121-13-308-41-001000](#) [123-43-314-41-801000](#) [123-43-420-41-001000](#) [123-87-320-41-001101](#) [122-13-316-41-001000](#) [123-13-624-41-001000](#) [123-43-306-41-001000](#) [12-3513-11](#) [123-91-320-41-001000](#) [126-43-310-41-002000](#) [AKSUN 37V-T](#) [1437503-9](#) [1437504-1](#) [146-44-308-41-013000](#) [APO-320-G-T](#) [146-43-308-41-012000](#) [160-10-308-00-001000](#) [160-40-320-00-001000](#) [214-99-306-01-670800](#) [232-1270-02-0602](#) [2-382761-4](#) [2-5331677-4](#)