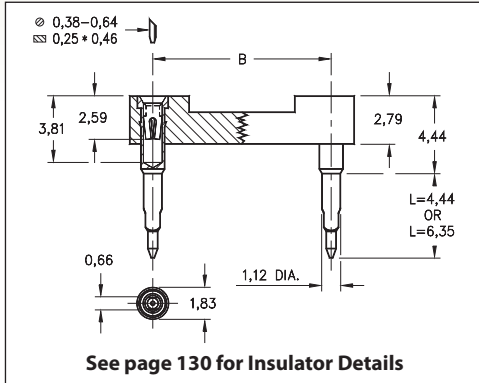
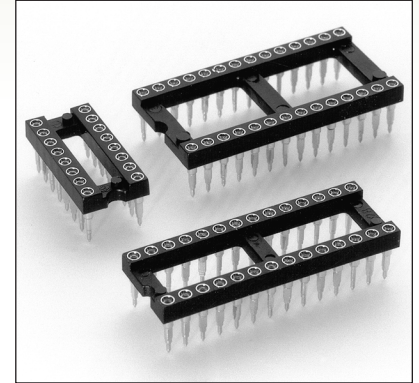





DUAL-IN-LINE SOCKETS

SERIES 104 • SOLDERLESS PRESS-FIT • OPEN FRAME



- Designed for solderless press-fit into plated through-holes
- Pin lengths are suitable for 1,57 and 2,36 - 3,18 thick panels
- Required plated through hole is 0,91 - 1,04. Use a 1.1mm drill prior to plating
- Series 104 uses MM #0477 or MM #0478 pins with a BeCu #30 contact, rated at 3 amps. See page 162 for details
- Insulators are high temperature thermoplastic
- For Electrical, Mechanical and Environmental Data, see page 264 for details



Total number of pins	Pin Configuration			Quantity per tube	ORDERING INFORMATION			
	A	B	C		L = 4,44 (for 1,57 thick panel)	L = 6,35 (for 3,18 thick panel)		
10	12,6	5,08	7,6	40	104-XX-210-41-770000	104-XX-210-41-780000		
4	5,0	7,62	10,1	102	104-XX-304-41-770000	104-XX-304-41-780000		
6	7,6	7,62	10,1	67	104-XX-306-41-770000	104-XX-306-41-780000		
8	10,1	7,62	10,1	50	104-XX-308-41-770000	104-XX-308-41-780000		
10	12,6	7,62	10,1	40	104-XX-310-41-770000	104-XX-310-41-780000		
14	17,7	7,62	10,1	28	104-XX-314-41-770000	104-XX-314-41-780000		
16	20,3	7,62	10,1	25	104-XX-316-41-770000	104-XX-316-41-780000		
18	22,8	7,62	10,1	22	104-XX-318-41-770000	104-XX-318-41-780000		
20	25,3	7,62	10,1	20	104-XX-320-41-770000	104-XX-320-41-780000		
22	27,8	7,62	10,1	18	104-XX-322-41-770000	104-XX-322-41-780000		
24	30,4	7,62	10,1	16	104-XX-324-41-770000	104-XX-324-41-780000		
28	35,5	7,62	10,1	14	104-XX-328-41-770000	104-XX-328-41-780000		
20	25,4	10,16	12,7	20	104-XX-420-41-770000	104-XX-420-41-780000		
22	27,8	10,16	12,7	18	104-XX-422-41-770000	104-XX-422-41-780000		
24	30,4	10,16	12,7	16	104-XX-424-41-770000	104-XX-424-41-780000		
28	35,5	10,16	12,7	14	104-XX-428-41-770000	104-XX-428-41-780000		
32	40,6	10,16	12,7	12	104-XX-432-41-770000	104-XX-432-41-780000		
24	30,4	15,24	17,7	16	104-XX-624-41-770000	104-XX-624-41-780000		
28	35,5	15,24	17,7	14	104-XX-628-41-770000	104-XX-628-41-780000		
32	40,6	15,24	17,7	12	104-XX-632-41-770000	104-XX-632-41-780000		
36	45,7	15,24	17,7	11	104-XX-636-41-770000	104-XX-636-41-780000		
40	50,8	15,24	17,7	10	104-XX-640-41-770000	104-XX-640-41-780000		
42	53,3	15,24	17,7	9	104-XX-642-41-770000	104-XX-642-41-780000		
48	60,9	15,24	17,7	8	104-XX-648-41-770000	104-XX-648-41-780000		
50	63,5	15,24	17,7	8	104-XX-650-41-770000	104-XX-650-41-780000		
52	66,0	15,24	17,7	7	104-XX-652-41-770000	104-XX-652-41-780000		
50	63,5	22,86	25,3	8	104-XX-950-41-770000	104-XX-950-41-780000		
52	66,0	22,86	25,3	7	104-XX-952-41-770000	104-XX-952-41-780000		
64	81,2	22,86	25,3	6	104-XX-964-41-770000	104-XX-964-41-780000		
SPECIFY PLATING CODE XX =					11	13		
Sleeve (Pin) 					0,25µm Au	0,25µm Au		
Contact (Clip) 					0,25µm Au	0,76µm Au		

XX=Plating Code
See Below



X-ON Electronics

Largest Supplier of Electrical and Electronic Components

Click to view similar products for [IC & Component Sockets](#) category:

Click to view products by [Mill-Max](#) manufacturer:

Other Similar products are found below :

[0066-3-17-15-30-14-02-0](#) [670](#) [672](#) [673](#) [694-13-640-00-672-000](#) [712-93-120-41-001000](#) [714-93-104-31-018000](#) [8059-4G1-LF](#) [807-22-001-10-001101](#) [807-22-001-10-006101](#) [807-22-001-30-011101](#) [807-22-001-30-012101](#) [807-22-001-30-013101](#) [807-22-001-30-014101](#) [8-1437531-4](#) [8150-6P10](#) [833-93-034-10-001000](#) [851-41-006-10-001000](#) [851-43-008-20-001000](#) [851-43-014-20-001000](#) [851-93-006-20-001000](#) [851-93-010-20-001000](#) [853-43-020-10-001000](#) [86.010.0053.0](#) [116-43-308-41-007000](#) [PX-68LCC](#) [121-13-318-41-001000](#) [121-13-320-41-001000](#) [121-13-308-41-001000](#) [123-43-314-41-801000](#) [123-43-420-41-001000](#) [123-87-320-41-001101](#) [122-13-316-41-001000](#) [123-13-624-41-001000](#) [123-43-306-41-001000](#) [12-3513-11](#) [123-91-320-41-001000](#) [126-43-310-41-002000](#) [AKSUN 37V-T](#) [1437503-9](#) [1437504-1](#) [146-44-308-41-013000](#) [APO-320-G-T](#) [146-43-308-41-012000](#) [160-10-308-00-001000](#) [160-40-320-00-001000](#) [214-99-306-01-670800](#) [232-1270-02-0602](#) [2-382761-4](#) [2-5331677-4](#)