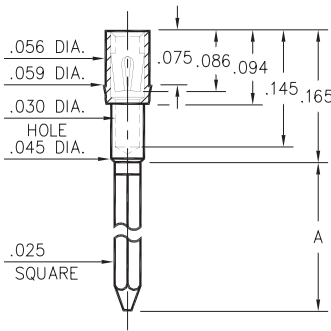


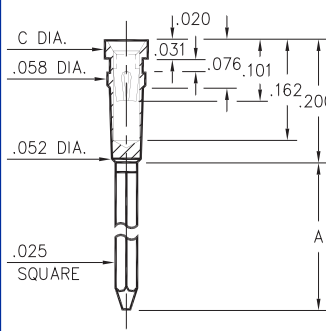
1702/1703



Basic Part Number	# of Wraps	Length A
1702-2	2	.370
1703-3	3	.510

170X-X-17-XX-30-XX-02-0
Press-fit in .057 mounting hole

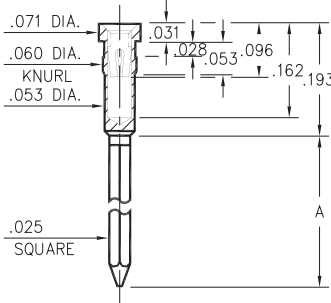
0038⇒0040/0066⇒0068



Basic Part #	# of Wraps	Length A	Dia. C
0040-1	1	.260	
0039-2	2	.360	.072
0038-3	3	.500	
0068-1	1	.260	
0067-2	2	.360	.062
0066-3	3	.500	

00XX-X-17-XX-30-XX-02-0
Press-fit in .055 mounting hole

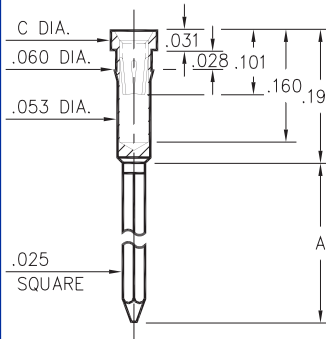
0086/0088/0089



Basic Part Number	# of Wraps	Length A
0089-2	2	.370
0088-3	3	.510
0086-4	4	.630

008X-X-17-XX-3X-XX-02-0
Press-fit in .057 mounting hole

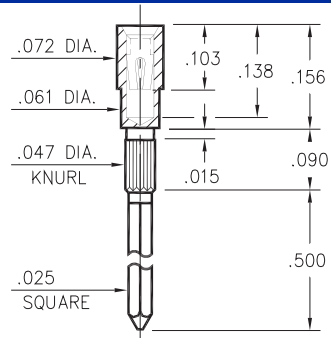
1030⇒1036



Basic Part #	# of Wraps	Length A	Dia. C
1032-1	1	.260	
1031-2	2	.360	.072
1030-3	3	.510	
1036-1	1	.260	
1035-2	2	.360	.062
1034-3	3	.510	

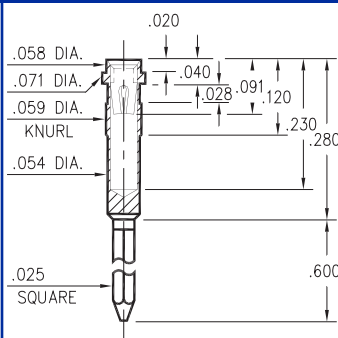
103X-X-17-XX-3X-XX-02-0
Press-fit in .057 mounting hole

1045



1045-3-17-XX-30-XX-02-0
Press-fit in .043 mounting hole

1040



1040-3-17-XX-30-XX-02-0
Press-fit in .056 mounting hole

SPECIFICATIONS

SHELL MATERIAL:
Brass Alloy 360, 1/2 Hard

CONTACT MATERIAL:
Beryllium Copper Alloy 172, HT

DIMENSION IN INCHES
TOLERANCES ON:
LENGTHS: ±.005
DIAMETERS: ±.002
ANGLES: ± 2°

ORDER CODE: XXXX - X - 17 - XX - 3X - XX - 02 - 0

BASIC PART # →

SPECIFY SHELL FINISH: →

01 200μ" TIN/LEAD OVER NICKEL
15 10μ" GOLD OVER NICKEL

SPECIFY CONTACT FINISH: →

02 200μ" TIN/LEAD OVER NICKEL
14 10μ" GOLD OVER NICKEL
27 30μ" GOLD OVER NICKEL

↑
SELECT CONTACT

#30 or #32 CONTACT (DATA ON PAGE 208)

X-ON Electronics

Largest Supplier of Electrical and Electronic Components

Click to view similar products for [IC & Component Sockets](#) category:

Click to view products by [Mill-Max](#) manufacturer:

Other Similar products are found below :

[614-DG5](#) [670](#) [672](#) [673](#) [712-93-120-41-001000](#) [714-93-104-31-018000](#) [8-1437531-4](#) [8150-6P10](#) [835-43-014-10-001000](#) [851-41-006-10-001000](#) [851-43-008-20-001000](#) [851-43-014-20-001000](#) [851-93-006-20-001000](#) [851-93-010-20-001000](#) [853-43-020-10-001000](#) [86.010.0053.0](#) [116-43-308-41-007000](#) [121-13-318-41-001000](#) [121-13-320-41-001000](#) [121-13-308-41-001000](#) [123-43-314-41-801000](#) [123-43-420-41-001000](#) [122-13-316-41-001000](#) [123-13-624-41-001000](#) [123-43-306-41-001000](#) [12-3513-11](#) [123-91-320-41-001000](#) [126-43-310-41-002000](#) [AKSUN](#) [37V-T](#) [1437503-9](#) [1437504-1](#) [APA-640-G-P](#) [146-44-308-41-013000](#) [146-43-308-41-012000](#) [160-10-308-00-001000](#) [160-40-320-00-001000](#) [214-99-306-01-670800](#) [2-382761-4](#) [2-5331677-4](#) [2-640360-3](#) [2801-3-00-44-00-00-07-0](#) [940-44-052-17-400004](#) [299-83-314-11-001101](#) [1986000-2](#) [2103331641101000](#) [210-43-320-41-001000](#) [210-99-628-41-001000](#) [2-1437504-6](#) [2-1437515-5](#) [2-1437531-2](#)