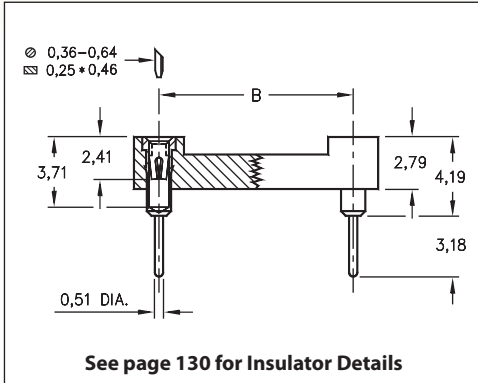
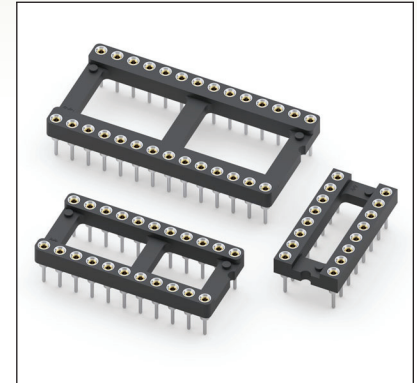


# DUAL-IN-LINE SOCKETS

## SERIES 110...001 • STANDARD SOLDER TAIL • OPEN FRAME



- All DIP sockets accept 0,38 - 0,64 diameter and standard IC leads
- Hi-Rel, 4-finger BeCu #30 contact is rated at 3 amps. See page 253 for details
- Series 110 uses MM #1001 pins. See page 165 for details
- Insulators are high temperature thermoplastic, suitable for all soldering operations
- For Electrical, Mechanical and Environmental Data, see page 264 for details



Total number of pins				Quantity per tube	<h3>ORDERING INFORMATION</h3>									
	A	B	C											
10	12,6	5,08	7,6	40	110-XX-210-41-001000									
4	5,0	7,62	10,1	102	110-XX-304-41-001000									
6	7,6	7,62	10,1	67	110-XX-306-41-001000									
8	10,1	7,62	10,1	50	110-XX-308-41-001000									
10	12,6	7,62	10,1	40	110-XX-310-41-001000									
14	17,7	7,62	10,1	28	110-XX-314-41-001000									
16	20,3	7,62	10,1	25	110-XX-316-41-001000									
18	22,8	7,62	10,1	22	110-XX-318-41-001000									
20	25,3	7,62	10,1	20	110-XX-320-41-001000									
22	27,8	7,62	10,1	18	110-XX-322-41-001000									
24	30,4	7,62	10,1	16	110-XX-324-41-001000									
28	35,5	7,62	10,1	14	110-XX-328-41-001000									
20	25,4	10,16	12,7	20	110-XX-420-41-001000									
22	27,8	10,16	12,7	18	110-XX-422-41-001000									
24	30,4	10,16	12,7	16	110-XX-424-41-001000									
28	35,5	10,16	12,7	14	110-XX-428-41-001000									
32	40,6	10,16	12,7	12	110-XX-432-41-001000									
24	30,4	15,24	17,7	16	110-XX-624-41-001000									
28	35,5	15,24	17,7	14	110-XX-628-41-001000									
32	40,6	15,24	17,7	12	110-XX-632-41-001000									
36	45,7	15,24	17,7	11	110-XX-636-41-001000									
40	50,8	15,24	17,7	10	110-XX-640-41-001000									
42	53,3	15,24	17,7	9	110-XX-642-41-001000									
48	60,9	15,24	17,7	8	110-XX-648-41-001000									
50	63,5	15,24	17,7	8	110-XX-650-41-001000									
52	66,0	15,24	17,7	7	110-XX-652-41-001000									
50	63,5	22,86	25,3	8	110-XX-950-41-001000									
52	66,0	22,86	25,3	7	110-XX-952-41-001000									
64	81,2	22,86	25,3	6	110-XX-964-41-001000									
<b>XX=Plating Code See Below</b>														
<b>SPECIFY PLATING CODE XX =</b>					11	13	91	93	99	41	43	44	47	
Sleeve (Pin)					0,25µm Au	0,25µm Au	5,08µm Sn/Pb	5,08µm Sn/Pb	5,08µm Sn/Pb	5,08µm Sn	5,08µm Sn	5,08µm Sn	5,08µm Sn	
Contact (Clip)					0,25µm Au	0,76µm Au	0,25µm Au	0,76µm Au	2,54µm Sn/Pb	0,25µm Au	0,76µm Au	2,54µm Sn	Au Flash	

## X-ON Electronics

Largest Supplier of Electrical and Electronic Components

*Click to view similar products for [IC & Component Sockets](#) category:*

*Click to view products by [Mill-Max](#) manufacturer:*

Other Similar products are found below :

[614-DG5](#) [670](#) [672](#) [673](#) [712-93-120-41-001000](#) [714-93-104-31-018000](#) [8-1437531-4](#) [8150-6P10](#) [835-43-014-10-001000](#) [851-41-006-10-001000](#) [851-43-008-20-001000](#) [851-43-014-20-001000](#) [851-93-006-20-001000](#) [851-93-010-20-001000](#) [853-43-020-10-001000](#) [86.010.0053.0](#) [116-43-308-41-007000](#) [121-13-318-41-001000](#) [121-13-320-41-001000](#) [121-13-308-41-001000](#) [123-43-314-41-801000](#) [123-43-420-41-001000](#) [122-13-316-41-001000](#) [123-13-624-41-001000](#) [123-43-306-41-001000](#) [12-3513-11](#) [123-91-320-41-001000](#) [126-43-310-41-002000](#) [AKSUN](#) [37V-T](#) [1437503-9](#) [1437504-1](#) [APA-640-G-P](#) [146-44-308-41-013000](#) [146-43-308-41-012000](#) [160-10-308-00-001000](#) [160-40-320-00-001000](#) [214-99-306-01-670800](#) [2-382761-4](#) [2-5331677-4](#) [2-640360-3](#) [2801-3-00-44-00-00-07-0](#) [940-44-052-17-400004](#) [299-83-314-11-001101](#) [1986000-2](#) [2103331641101000](#) [210-43-320-41-001000](#) [210-99-628-41-001000](#) [2-1437504-6](#) [2-1437515-5](#) [2-1437531-2](#)