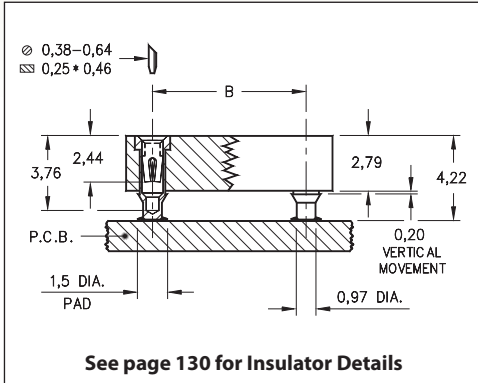
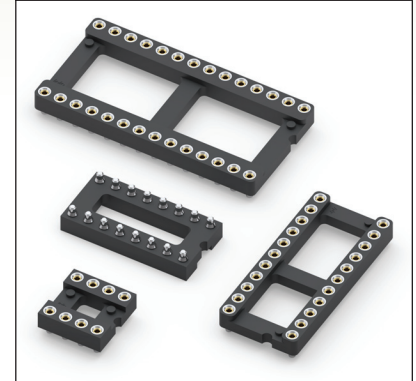


DUAL-IN-LINE SOCKETS

SERIES 114 • SURFACE MOUNT, STUB TAIL • OPEN FRAME



- Unique floating contacts compensate for the effects of unevenly dispensed solder paste
- Socket pins feature closed end construction eliminating any solder/flux wicking problems
- Hi-Rel, 4-finger BeCu #30 contact is rated at 3 amps. See page 253 for details
- Series 114 uses MM #1434 pins. See page 162 for details
- Insulators are high temperature thermoplastic, suitable for all soldering operations
- For Electrical, Mechanical and Environmental Data see page 264 for details



Total number of pins	Pin Spacing			Quantity per tube	ORDERING INFORMATION						
	A	B	C								
10	12,6	5,08	7,6	41	114-XX-210-41-117000						
4	5,0	7,62	10,1	100	114-XX-304-41-117000						
6	7,6	7,62	10,1	67	114-XX-306-41-117000						
8	10,1	7,62	10,1	50	114-XX-308-41-117000						
10	12,6	7,62	10,1	40	114-XX-310-41-117000						
14	17,7	7,62	10,1	28	114-XX-314-41-117000						
16	20,3	7,62	10,1	25	114-XX-316-41-117000						
18	22,8	7,62	10,1	22	114-XX-318-41-117000						
20	25,3	7,62	10,1	20	114-XX-320-41-117000						
22	27,8	7,62	10,1	18	114-XX-322-41-117000						
24	30,4	7,62	10,1	16	114-XX-324-41-117000						
28	35,5	7,62	10,1	14	114-XX-328-41-117000						
20	25,4	10,16	12,7	20	114-XX-420-41-117000						
22	27,8	10,16	12,7	18	114-XX-422-41-117000						
24	30,4	10,16	12,7	16	114-XX-424-41-117000						
28	35,5	10,16	12,7	14	114-XX-428-41-117000						
32	40,6	10,16	12,7	12	114-XX-432-41-117000						
24	30,4	15,24	17,7	16	114-XX-624-41-117000						
28	35,5	15,24	17,7	14	114-XX-628-41-117000						
32	40,6	15,24	17,7	12	114-XX-632-41-117000						
36	45,7	15,24	17,7	11	114-XX-636-41-117000						
40	50,8	15,24	17,7	10	114-XX-640-41-117000						
42	53,3	15,24	17,7	9	114-XX-642-41-117000						
48	60,9	15,24	17,7	8	114-XX-648-41-117000						
50	63,5	15,24	17,7	8	114-XX-650-41-117000						
52	66,0	15,24	17,7	7	114-XX-652-41-117000						
50	63,5	22,86	25,3	8	114-XX-950-41-117000						
52	66,0	22,86	25,3	7	114-XX-952-41-117000						
64	81,2	22,86	25,3	6	114-XX-964-41-117000						

XX=Plating Code
See Below



SPECIFY PLATING CODE XX =		91	93	41	43	47
Sleeve (Pin)		5,08µm Sn/Pb	5,08µm Sn/Pb	5,08µm Sn	5,08µm Sn	5,08µm Sn
Contact (Clip)		0,25µm Au	0,76µm Au	0,25µm Au	0,76µm Au	Au Flash



X-ON Electronics

Largest Supplier of Electrical and Electronic Components

Click to view similar products for [IC & Component Sockets](#) category:

Click to view products by [Mill-Max](#) manufacturer:

Other Similar products are found below :

[0066-3-17-15-30-14-02-0](#) [670](#) [672](#) [673](#) [694-13-640-00-672-000](#) [712-93-120-41-001000](#) [714-93-104-31-018000](#) [8059-4G1-LF](#) [807-22-001-10-001101](#) [807-22-001-10-006101](#) [807-22-001-30-011101](#) [807-22-001-30-012101](#) [807-22-001-30-013101](#) [807-22-001-30-014101](#) [8-1437531-4](#) [8150-6P10](#) [833-93-034-10-001000](#) [851-41-006-10-001000](#) [851-43-008-20-001000](#) [851-43-014-20-001000](#) [851-93-006-20-001000](#) [851-93-010-20-001000](#) [853-43-020-10-001000](#) [86.010.0053.0](#) [116-43-308-41-007000](#) [PX-68LCC](#) [121-13-318-41-001000](#) [121-13-320-41-001000](#) [121-13-308-41-001000](#) [123-43-314-41-801000](#) [123-43-420-41-001000](#) [123-87-320-41-001101](#) [122-13-316-41-001000](#) [123-13-624-41-001000](#) [123-43-306-41-001000](#) [12-3513-11](#) [123-91-320-41-001000](#) [126-43-310-41-002000](#) [AKSUN 37V-T](#) [1437503-9](#) [1437504-1](#) [146-44-308-41-013000](#) [APO-320-G-T](#) [146-43-308-41-012000](#) [160-10-308-00-001000](#) [160-40-320-00-001000](#) [214-99-306-01-670800](#) [232-1270-02-0602](#) [2-382761-4](#) [2-5331677-4](#)