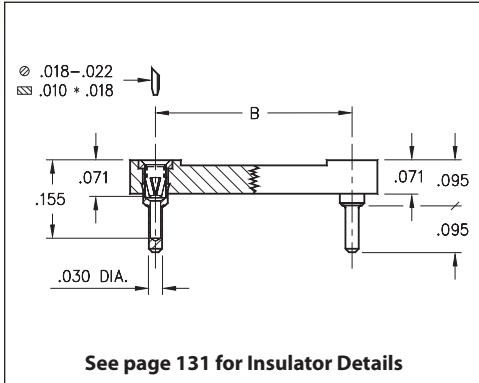
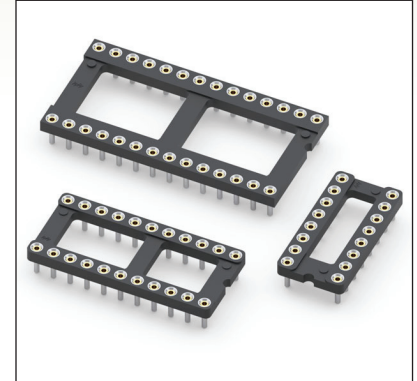


DUAL-IN-LINE SOCKETS

SERIES 115...003 • ULTRA LOW PROFILE • OPEN FRAME



- Our lowest profile DIP socket with an above PCB height of only .095"
- Special short Hi-Rel, 4-finger BeCu #12 contact is rated at 3 amps. See page 252 for details
- Series 115 uses MM #1534 pins. See page 161 for details
- Insulators are high temperature thermoplastic, suitable for all soldering operations
- For Electrical, Mechanical and Environmental Data, see page 264 for details



Total number of pins	Pin Spacing			Quantity per tube	ORDERING INFORMATION							
	A	B	C									
6	0.3	0.3	0.4	68	<p>115-XX-306-41-003000</p> <p>115-XX-308-41-003000</p> <p>115-XX-314-41-003000</p> <p>115-XX-316-41-003000</p> <p>115-XX-318-41-003000</p> <p>115-XX-320-41-003000</p> <p>115-XX-322-41-003000</p> <p>115-XX-324-41-003000</p> <p>115-XX-328-41-003000</p> <p>115-XX-420-41-003000</p> <p>115-XX-422-41-003000</p> <p>115-XX-424-41-003000</p> <p>115-XX-428-41-003000</p> <p>115-XX-624-41-003000</p> <p>115-XX-628-41-003000</p> <p>115-XX-632-41-003000</p> <p>115-XX-636-41-003000</p> <p>115-XX-640-41-003000</p> <p>115-XX-648-41-003000</p> <p>115-XX-650-41-003000</p>							
8	0.4	0.3	0.4	50								
14	0.7	0.3	0.4	28								
16	0.8	0.3	0.4	25								
18	0.9	0.3	0.4	22								
20	1.0	0.3	0.4	20								
22	1.1	0.3	0.4	18								
24	1.2	0.3	0.4	16								
28	1.4	0.3	0.4	14								
20	1.0	0.4	0.5	20								
22	1.1	0.4	0.5	18								
24	1.2	0.4	0.5	16								
28	1.4	0.4	0.5	14								
24	1.2	0.6	0.7	16								
28	1.4	0.6	0.7	14								
32	1.6	0.6	0.7	12								
36	1.8	0.6	0.7	11								
40	2.0	0.6	0.7	10								
48	2.4	0.6	0.7	8								
50	2.5	0.6	0.7	8								

XX=Plating Code
See Below



SPECIFY PLATING CODE XX =	91	93	41	43	44	47
Sleeve (Pin)	200 μ" Sn/Pb	200 μ" Sn/Pb	200 μ" Sn	200 μ" Sn	200 μ" Sn	200 μ" Sn
Contact (Clip)	10 μ" Au	30 μ" Au	10 μ" Au	30 μ" Au	100 μ" Sn	Au Flash



X-ON Electronics

Largest Supplier of Electrical and Electronic Components

Click to view similar products for [IC & Component Sockets](#) category:

Click to view products by [Mill-Max](#) manufacturer:

Other Similar products are found below :

[714-43-102-31-012000](#) [0066-3-17-15-30-14-02-0](#) [0134-0-15-15-32-27-04-0](#) [614-DG5](#) [6527-0-00-15-00-00-03-0](#) [670](#) [672](#) [673](#) [712-93-120-41-001000](#) [714-93-104-31-018000](#) [8059-4G1-LF](#) [807-22-001-10-001101](#) [807-22-001-10-003101](#) [807-22-001-10-004101](#) [807-22-001-10-006101](#) [807-22-001-30-011101](#) [807-22-001-30-012101](#) [807-22-001-30-013101](#) [807-22-001-30-014101](#) [8-1437531-4](#) [8150-6P10](#) [833-93-034-10-001000](#) [835-43-014-10-001000](#) [851-41-006-10-001000](#) [851-43-008-20-001000](#) [851-43-014-20-001000](#) [851-93-006-20-001000](#) [851-93-010-20-001000](#) [853-43-020-10-001000](#) [86.010.0053.0](#) [116-43-306-41-003000](#) [116-43-308-41-007000](#) [116-87-308-41-007101](#) [PX-68LCC](#) [PX-84LCC](#) [121-13-318-41-001000](#) [121-13-320-41-001000](#) [121-13-308-41-001000](#) [123-43-314-41-801000](#) [123-43-420-41-001000](#) [123-43-636-41-001000](#) [123-87-320-41-001101](#) [122-13-316-41-001000](#) [123-13-624-41-001000](#) [123-43-306-41-001000](#) [123-43-322-41-801000](#) [123-43-428-41-001000](#) [123-43-624-41-001000](#) [12-3513-11](#) [123-91-320-41-001000](#)