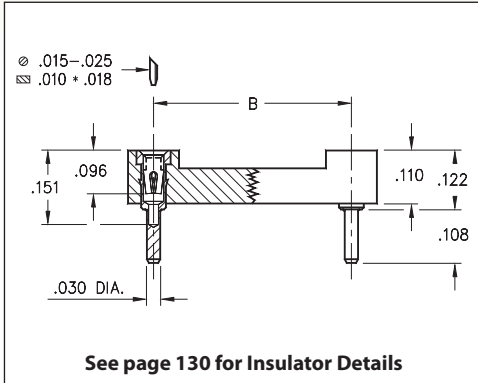
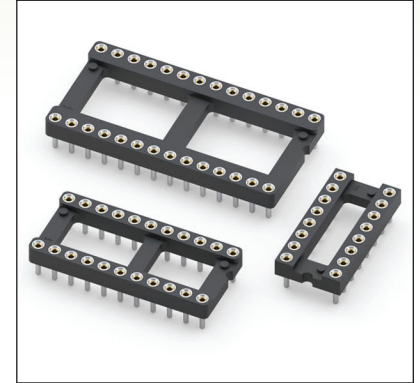


DUAL-IN-LINE SOCKETS

SERIES 115...001 • VERY LOW PROFILE • OPEN FRAME



- Low profile DIP socket, sits only .122" above the PCB
- Hi-Rel, 4-finger BeCu #30 contact is rated at 3 amps. See page 253 for details
- Series 115 uses MM #0501 pins. See page 162 for details
- Insulators are high temperature thermoplastic, suitable for all soldering operations
- For Electrical, Mechanical and Environmental Data, see page 264 for details



| Total number of pins | | | | Quantity per tube | ORDERING INFORMATION | | | | | | | | |
|----------------------------------|-----|-----|-----|-------------------|----------------------|--------------|--------------|-----------|-----------|-----------|--|--|--|
| | A | B | C | | | | | | | | | | |
| 10 | 0.5 | 0.2 | 0.3 | 41 | 115-XX-210-41-001000 | | | | | | | | |
| 4 | 0.2 | 0.3 | 0.4 | 102 | 115-XX-304-41-001000 | | | | | | | | |
| 6 | 0.3 | 0.3 | 0.4 | 67 | 115-XX-306-41-001000 | | | | | | | | |
| 8 | 0.4 | 0.3 | 0.4 | 50 | 115-XX-308-41-001000 | | | | | | | | |
| 10 | 0.5 | 0.3 | 0.4 | 40 | 115-XX-310-41-001000 | | | | | | | | |
| 14 | 0.7 | 0.3 | 0.4 | 28 | 115-XX-314-41-001000 | | | | | | | | |
| 16 | 0.8 | 0.3 | 0.4 | 25 | 115-XX-316-41-001000 | | | | | | | | |
| 18 | 0.9 | 0.3 | 0.4 | 22 | 115-XX-318-41-001000 | | | | | | | | |
| 20 | 1.0 | 0.3 | 0.4 | 20 | 115-XX-320-41-001000 | | | | | | | | |
| 22 | 1.1 | 0.3 | 0.4 | 18 | 115-XX-322-41-001000 | | | | | | | | |
| 24 | 1.2 | 0.3 | 0.4 | 16 | 115-XX-324-41-001000 | | | | | | | | |
| 28 | 1.4 | 0.3 | 0.4 | 14 | 115-XX-328-41-001000 | | | | | | | | |
| 20 | 1.0 | 0.4 | 0.5 | 20 | 115-XX-420-41-001000 | | | | | | | | |
| 22 | 1.1 | 0.4 | 0.5 | 18 | 115-XX-422-41-001000 | | | | | | | | |
| 24 | 1.2 | 0.4 | 0.5 | 16 | 115-XX-424-41-001000 | | | | | | | | |
| 28 | 1.4 | 0.4 | 0.5 | 14 | 115-XX-428-41-001000 | | | | | | | | |
| 32 | 1.6 | 0.4 | 0.5 | 12 | 115-XX-432-41-001000 | | | | | | | | |
| 24 | 1.2 | 0.6 | 0.7 | 16 | 115-XX-624-41-001000 | | | | | | | | |
| 28 | 1.4 | 0.6 | 0.7 | 14 | 115-XX-628-41-001000 | | | | | | | | |
| 32 | 1.6 | 0.6 | 0.7 | 12 | 115-XX-632-41-001000 | | | | | | | | |
| 36 | 1.8 | 0.6 | 0.7 | 11 | 115-XX-636-41-001000 | | | | | | | | |
| 40 | 2.0 | 0.6 | 0.7 | 10 | 115-XX-640-41-001000 | | | | | | | | |
| 42 | 2.1 | 0.6 | 0.7 | 9 | 115-XX-642-41-001000 | | | | | | | | |
| 48 | 2.4 | 0.6 | 0.7 | 8 | 115-XX-648-41-001000 | | | | | | | | |
| 50 | 2.5 | 0.6 | 0.7 | 8 | 115-XX-650-41-001000 | | | | | | | | |
| 52 | 2.6 | 0.6 | 0.7 | 7 | 115-XX-652-41-001000 | | | | | | | | |
| 50 | 2.5 | 0.9 | 1.0 | 8 | 115-XX-950-41-001000 | | | | | | | | |
| 52 | 2.6 | 0.9 | 1.0 | 7 | 115-XX-952-41-001000 | | | | | | | | |
| 64 | 3.2 | 0.9 | 1.0 | 6 | 115-XX-964-41-001000 | | | | | | | | |
| SPECIFY PLATING CODE XX = | | | | | 91 | 93 | 41 | 43 | 47 | | | | |
| | | | | | Sleeve (Pin) | 200 μ" Sn/Pb | 200 μ" Sn/Pb | 200 μ" Sn | 200 μ" Sn | 200 μ" Sn | | | |
| CONTACT PLATING | | | | | 10 μ" Au | 30 μ" Au | 10 μ" Au | 30 μ" Au | Au Flash | | | | |
| | | | | | Contact (Clip) | | | | | | | | |

XX=Plating Code
See Below



X-ON Electronics

Largest Supplier of Electrical and Electronic Components

Click to view similar products for [IC & Component Sockets](#) category:

Click to view products by [Mill-Max](#) manufacturer:

Other Similar products are found below :

[0066-3-17-15-30-14-02-0](#) [670](#) [672](#) [673](#) [694-13-640-00-672-000](#) [712-93-120-41-001000](#) [714-93-104-31-018000](#) [8059-4G1-LF](#) [807-22-001-10-001101](#) [807-22-001-10-006101](#) [807-22-001-30-011101](#) [807-22-001-30-012101](#) [807-22-001-30-013101](#) [807-22-001-30-014101](#) [8-1437531-4](#) [8150-6P10](#) [833-93-034-10-001000](#) [851-41-006-10-001000](#) [851-43-008-20-001000](#) [851-43-014-20-001000](#) [851-93-006-20-001000](#) [851-93-010-20-001000](#) [853-43-020-10-001000](#) [86.010.0053.0](#) [116-43-308-41-007000](#) [PX-68LCC](#) [121-13-318-41-001000](#) [121-13-320-41-001000](#) [121-13-308-41-001000](#) [123-43-314-41-801000](#) [123-43-420-41-001000](#) [123-87-320-41-001101](#) [122-13-316-41-001000](#) [123-13-624-41-001000](#) [123-43-306-41-001000](#) [12-3513-11](#) [123-91-320-41-001000](#) [126-43-310-41-002000](#) [AKSUN 37V-T](#) [1437503-9](#) [1437504-1](#) [146-44-308-41-013000](#) [APO-320-G-T](#) [146-43-308-41-012000](#) [160-10-308-00-001000](#) [160-40-320-00-001000](#) [214-99-306-01-670800](#) [232-1270-02-0602](#) [2-382761-4](#) [2-5331677-4](#)