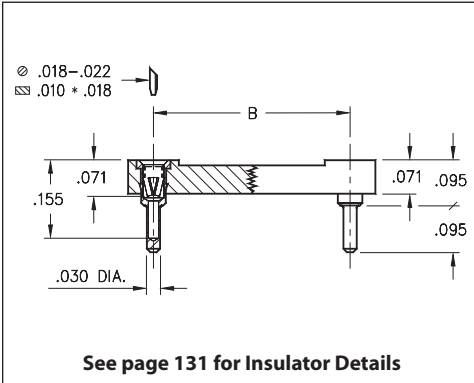
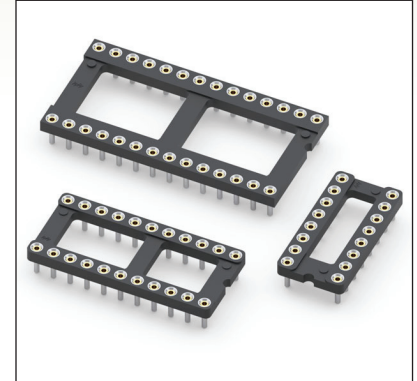


DUAL-IN-LINE SOCKETS

SERIES 115...003 • ULTRA LOW PROFILE • OPEN FRAME



- Our lowest profile DIP socket with an above PCB height of only .095"
- Special short Hi-Rel, 4-finger BeCu #12 contact is rated at 3 amps. See page 252 for details
- Series 115 uses MM #1534 pins. See page 161 for details
- Insulators are high temperature thermoplastic, suitable for all soldering operations
- For Electrical, Mechanical and Environmental Data, see page 264 for details



Total number of pins	Pin Spacing			Quantity per tube	ORDERING INFORMATION								
	A	B	C										
6	0.3	0.3	0.4	68	115-XX-306-41-003000								
8	0.4	0.3	0.4	50	115-XX-308-41-003000								
14	0.7	0.3	0.4	28	115-XX-314-41-003000								
16	0.8	0.3	0.4	25	115-XX-316-41-003000								
18	0.9	0.3	0.4	22	115-XX-318-41-003000								
20	1.0	0.3	0.4	20	115-XX-320-41-003000								
22	1.1	0.3	0.4	18	115-XX-322-41-003000								
24	1.2	0.3	0.4	16	115-XX-324-41-003000								
28	1.4	0.3	0.4	14	115-XX-328-41-003000								
20	1.0	0.4	0.5	20	115-XX-420-41-003000								
22	1.1	0.4	0.5	18	115-XX-422-41-003000								
24	1.2	0.4	0.5	16	115-XX-424-41-003000								
28	1.4	0.4	0.5	14	115-XX-428-41-003000								
24	1.2	0.6	0.7	16	115-XX-624-41-003000								
28	1.4	0.6	0.7	14	115-XX-628-41-003000								
32	1.6	0.6	0.7	12	115-XX-632-41-003000								
36	1.8	0.6	0.7	11	115-XX-636-41-003000								
40	2.0	0.6	0.7	10	115-XX-640-41-003000								
48	2.4	0.6	0.7	8	115-XX-648-41-003000								
50	2.5	0.6	0.7	8	115-XX-650-41-003000								
XX=Plating Code See Below					RoHS-2 2011/65/EU								
SPECIFY PLATING CODE XX =					91	93	41 ◆	43 ◆	44 ◆	47 ◆			
Sleeve (Pin)					200 μ" Sn/Pb	200 μ" Sn/Pb	200 μ" Sn	200 μ" Sn	200 μ" Sn	200 μ" Sn			
Contact (Clip)					10 μ" Au	30 μ" Au	10 μ" Au	30 μ" Au	100 μ" Sn	Au Flash			



X-ON Electronics

Largest Supplier of Electrical and Electronic Components

Click to view similar products for [IC & Component Sockets](#) category:

Click to view products by [Mill-Max](#) manufacturer:

Other Similar products are found below :

[714-43-102-31-012000](#) [0066-3-17-15-30-14-02-0](#) [0134-0-15-15-32-27-04-0](#) [614-DG5](#) [6527-0-00-15-00-00-03-0](#) [670](#) [672](#) [673](#) [712-93-120-41-001000](#) [714-93-104-31-018000](#) [8059-4G1-LF](#) [807-22-001-10-001101](#) [807-22-001-10-003101](#) [807-22-001-10-004101](#) [807-22-001-10-006101](#) [807-22-001-30-011101](#) [807-22-001-30-012101](#) [807-22-001-30-013101](#) [807-22-001-30-014101](#) [8-1437531-4](#) [8150-6P10](#) [833-93-034-10-001000](#) [835-43-014-10-001000](#) [851-41-006-10-001000](#) [851-43-008-20-001000](#) [851-43-014-20-001000](#) [851-93-006-20-001000](#) [851-93-010-20-001000](#) [852-10-026-10-001000](#) [853-43-020-10-001000](#) [86.010.0053.0](#) [116-43-306-41-003000](#) [116-43-308-41-007000](#) [116-87-308-41-007101](#) [PX-68LCC](#) [PX-84LCC](#) [121-13-318-41-001000](#) [121-13-320-41-001000](#) [121-13-308-41-001000](#) [123-43-314-41-801000](#) [123-43-420-41-001000](#) [123-43-636-41-001000](#) [123-87-320-41-001101](#) [122-13-316-41-001000](#) [123-13-624-41-001000](#) [123-43-306-41-001000](#) [123-43-322-41-801000](#) [123-43-428-41-001000](#) [123-43-624-41-001000](#) [12-3513-11](#)