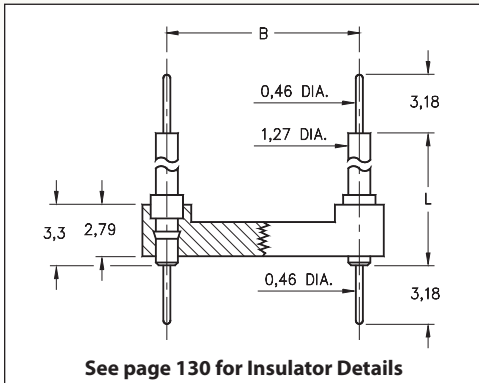
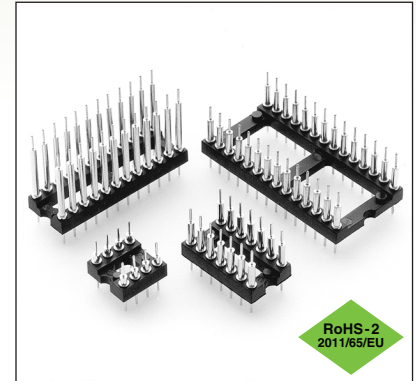


DUAL-IN-LINE HEADERS

SERIES 142 • INTERCONNECT • OPEN FRAME



- Series 142 DIL Headers have double-ended 0,46 diameter pluggable solder tails
- Used to interconnect PC Boards with spacings of 5,33, 8,51, 14,86 or 21,21. Series 142 uses MM #4259-1, -2, -3 or -4 pins. See page 212 for details
- Insulators are high temperature thermoplastic, suitable for all soldering operations
- For Electrical, Mechanical and Environmental Data, see page 264 for details



Total number of pins				Quantity per tube	ORDERING INFORMATION			
	A	B	C		L = 5,33	L = 8,51	L = 14,86	L = 21,21
6	7,6	7,62	10,1	67	142-XX-306-00-591000	142-XX-306-00-592000	142-XX-306-00-593000	142-XX-306-00-594000
8	10,1	7,62	10,1	50	142-XX-308-00-591000	142-XX-308-00-592000	142-XX-308-00-593000	142-XX-308-00-594000
14	17,7	7,62	10,1	29	142-XX-314-00-591000	142-XX-314-00-592000	142-XX-314-00-593000	142-XX-314-00-594000
16	20,3	7,62	10,1	25	142-XX-316-00-591000	142-XX-316-00-592000	142-XX-316-00-593000	142-XX-316-00-594000
18	22,8	7,62	10,1	22	142-XX-318-00-591000	142-XX-318-00-592000	142-XX-318-00-593000	142-XX-318-00-594000
20	25,3	7,62	10,1	40	142-XX-320-00-591000	142-XX-320-00-592000	142-XX-320-00-593000	142-XX-320-00-594000
24	30,4	7,62	10,1	17	142-XX-324-00-591000	142-XX-324-00-592000	142-XX-324-00-593000	142-XX-324-00-594000
22	27,8	10,16	12,7	14	142-XX-422-00-591000	142-XX-422-00-592000	142-XX-422-00-593000	142-XX-422-00-594000
24	30,4	15,24	17,7	16	142-XX-624-00-591000	142-XX-624-00-592000	142-XX-624-00-593000	142-XX-624-00-594000
28	35,5	15,24	17,7	14	142-XX-628-00-591000	142-XX-628-00-592000	142-XX-628-00-593000	142-XX-628-00-594000
32	40,6	15,24	17,7	12	142-XX-632-00-591000	142-XX-632-00-592000	142-XX-632-00-593000	142-XX-632-00-594000
40	50,8	15,24	17,7	10	142-XX-640-00-591000	142-XX-640-00-592000	142-XX-640-00-593000	142-XX-640-00-594000
<div style="border: 1px solid black; border-radius: 50%; padding: 5px; display: inline-block;"> XX=Plating Code See to Right </div>					SPECIFY PLATING CODE XX =			
					Pin Plating		10 ◆ 0,25µm Au	90 5,08µm Sn/Pb



X-ON Electronics

Largest Supplier of Electrical and Electronic Components

Click to view similar products for [Headers & Wire Housings](#) category:

Click to view products by [Mill-Max](#) manufacturer:

Other Similar products are found below :

[892-18-020-10-001101](#) [58102-G61-06LF](#) [582553-1](#) [0009485154](#) [009176003701906](#) [0050291907](#) [LY20-4P-DT1-P1E-BR](#) [02.125.8002.8](#)
[609-3404](#) [61062-3](#) [622-0430](#) [622-3653LF](#) [63453-116](#) [636-1030](#) [636-1427](#) [636-3427](#) [636-4007](#) [641938-9](#) [641991-4](#) [644827-2](#) [65817-010LF](#)
[65817-015LF](#) [65863-015LF](#) [66207-023LF](#) [67095-007LF](#) [67601157](#) [68648-049](#) [70.362.1628.0](#) [70-4210](#) [70-4226B](#) [70-4853B](#) [707-5020](#) [707-5028](#) [71.350.2428.0](#) [71918-208LF](#) [71961-016LF](#) [733-134](#) [733-162](#) [754199-000](#) [760-3052](#) [787-8014-00](#) [79531-3000](#) [FCN-360C032-B](#) [FCN-367T-T012/H](#) [FCN-723D010/2](#) [80.063.4001.1](#) [800-90-001-10-001000](#) [800-90-010-10-002000](#) [801-43-002-10-013000](#) [801-43-006-10-002000](#)