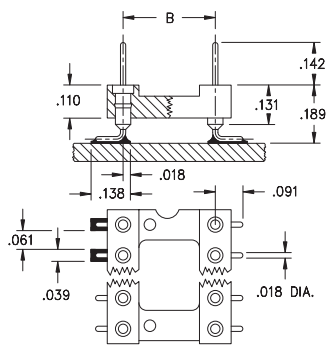


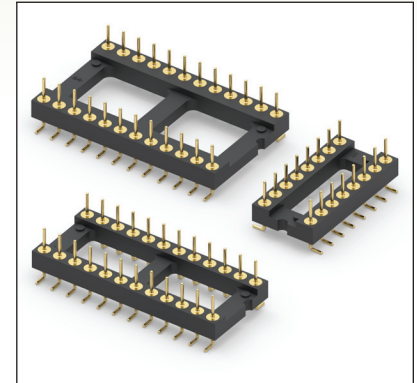
DUAL-IN-LINE HEADERS

SERIES 150 • SURFACE MOUNT, GULL WING • OPEN FRAME



See page 130 for Insulator Details

- Surface mount Gull Wing DIP headers for adapters and board stacking on .100" lead spacing
- Gull wing terminals provide maximum strength and permit easy visual inspection of solder joints
- Series 150 uses MM #3404 pins. See page 212 for details
- Insulators are high temperature thermoplastic, suitable for all soldering operations
- For Electrical, Mechanical and Environmental Data, see page 264 for details



Total number of pins				Quantity per tube	ORDERING INFORMATION					
	A	B	C							
10	0.5	0.2	0.3	40	150-10-210-00-106000					
4	0.2	0.3	0.4	102	150-10-304-00-106000					
6	0.3	0.3	0.4	67	150-10-306-00-106000					
8	0.4	0.3	0.4	50	150-10-308-00-106000					
10	0.5	0.3	0.4	40	150-10-310-00-106000					
14	0.7	0.3	0.4	29	150-10-314-00-106000					
16	0.8	0.3	0.4	25	150-10-316-00-106000					
18	0.9	0.3	0.4	22	150-10-318-00-106000					
20	1.0	0.3	0.4	20	150-10-320-00-106000					
22	1.1	0.3	0.4	18	150-10-322-00-106000					
24	1.2	0.3	0.4	16	150-10-324-00-106000					
28	1.4	0.3	0.4	14	150-10-328-00-106000					
20	1.0	0.4	0.5	20	150-10-420-00-106000					
22	1.1	0.4	0.5	18	150-10-422-00-106000					
24	1.2	0.4	0.5	16	150-10-424-00-106000					
28	1.4	0.4	0.5	14	150-10-428-00-106000					
32	1.6	0.4	0.5	12	150-10-432-00-106000					
24	1.2	0.6	0.7	16	150-10-624-00-106000					
28	1.4	0.6	0.7	14	150-10-628-00-106000					
32	1.6	0.6	0.7	12	150-10-632-00-106000					
36	1.8	0.6	0.7	11	150-10-636-00-106000					
40	2.0	0.6	0.7	10	150-10-640-00-106000					
42	2.1	0.6	0.7	9	150-10-642-00-106000					
48	2.4	0.6	0.7	8	150-10-648-00-106000					
50	2.5	0.6	0.7	8	150-10-650-00-106000					
52	2.6	0.6	0.7	7	150-10-652-00-106000					
50	2.5	0.9	1.0	8	XX=Plating Code See Below	150-10-950-00-106000				
52	2.6	0.9	1.0	7		150-10-952-00-106000				
64	3.2	0.9	1.0	6		150-10-964-00-106000				
See page 264 for coplanarity information					SPECIFY PLATING CODE XX =		10	◆		
					Pin Plating		10 μ" Au			



X-ON Electronics

Largest Supplier of Electrical and Electronic Components

Click to view similar products for [Headers & Wire Housings](#) category:

Click to view products by [Mill-Max](#) manufacturer:

Other Similar products are found below :

[95000-104TRLF](#) [10135584-644402LF](#) [DF62W-EP2022PCA](#) [95000-106TRLF](#) [DF62W-2022SCA](#) [48050-002LF](#) [DF62W-EP2022PC](#) [2203348](#)
[DF62W-2022SC](#) [1084018](#) [1029039](#) [1084017](#) [802-10-012-10-002000](#) [1112640](#) [1112639](#) [891-007-9SS-BST1T](#) [000-34000](#) [0008550134](#)
[0009482033](#) [0009507031](#) [0009524054](#) [57102-F02-18ULF](#) [57102-S06-03LF](#) [57202-S52-04LF](#) [PCN6-15S-2.5E](#) [0039019024](#) [58102-G61-](#)
[06LF](#) [582553-1](#) [0009485154](#) [0009508121](#) [0022285053](#) [0050291907](#) [018731A](#) [LY20-4P-DT1-P1E-BR](#) [02.125.8002.8](#) [60101931](#) [60598-1](#)
[\(Cut Strip\)](#) [M1625-3R/100](#) [61062-3](#) [61082-181009](#) [632209-000](#) [636-1427](#) [638009-1](#) [641938-9](#) [641991-4](#) [644168-1](#) [644827-2](#) [647662-1](#)
[65039-019ELF](#) [65692-001LF](#)