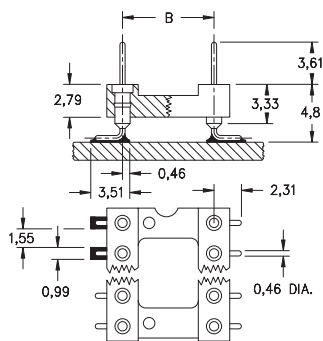


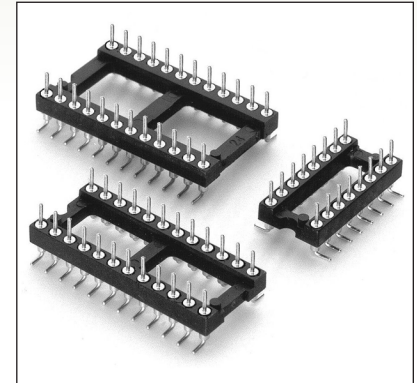
DUAL-IN-LINE HEADERS

SERIES 150 • SURFACE MOUNT, GULL WING • OPEN FRAME



See page 130 for Insulator Details

- Surface mount Gull Wing DIP headers for adapters and board stacking on 2,54 lead spacing
- Gull wing terminals provide maximum strength and permit easy visual inspection of solder joints
- Series 150 uses MM #3404 pins. See page 212 for details
- Insulators are high temperature thermoplastic, suitable for all soldering operations
- For Electrical, Mechanical and Environmental Data, see page 264 for details



Total number of pins				Quantity per tube	ORDERING INFORMATION			
	A	B	C					
10	12,6	5,08	7,6	40	150-10-210-00-106000			
4	5,0	7,62	10,1	102	150-10-304-00-106000			
6	7,6	7,62	10,1	67	150-10-306-00-106000			
8	10,1	7,62	10,1	50	150-10-308-00-106000			
10	12,6	7,62	10,1	40	150-10-310-00-106000			
14	17,7	7,62	10,1	29	150-10-314-00-106000			
16	20,3	7,62	10,1	25	150-10-316-00-106000			
18	22,8	7,62	10,1	22	150-10-318-00-106000			
20	25,3	7,62	10,1	20	150-10-320-00-106000			
22	27,8	7,62	10,1	18	150-10-322-00-106000			
24	30,4	7,62	10,1	16	150-10-324-00-106000			
28	35,5	7,62	10,1	14	150-10-328-00-106000			
20	25,4	10,16	12,7	20	150-10-420-00-106000			
22	27,8	10,16	12,7	18	150-10-422-00-106000			
24	30,4	10,16	12,7	16	150-10-424-00-106000			
28	35,5	10,16	12,7	14	150-10-428-00-106000			
32	40,6	10,16	12,7	12	150-10-432-00-106000			
24	30,4	15,24	17,7	16	150-10-624-00-106000			
28	35,5	15,24	17,7	14	150-10-628-00-106000			
32	40,6	15,24	17,7	12	150-10-632-00-106000			
36	45,7	15,24	17,7	11	150-10-636-00-106000			
40	50,8	15,24	17,7	10	150-10-640-00-106000			
42	53,3	15,24	17,7	9	150-10-642-00-106000			
48	60,9	15,24	17,7	8	150-10-648-00-106000			
50	63,5	15,24	17,7	8	150-10-650-00-106000			
52	66,0	15,24	17,7	7	150-10-652-00-106000			
50	63,5	22,86	25,3	8	150-10-950-00-106000	 XX=Plating Code See Below		
52	66,0	22,86	25,3	7	150-10-952-00-106000			
64	81,2	22,86	25,3	6	150-10-964-00-106000			
See page 264 for coplanarity information					SPECIFY PLATING CODE XX =			10
					Pin Plating	0,25µm Au		

X-ON Electronics

Largest Supplier of Electrical and Electronic Components

Click to view similar products for [Headers & Wire Housings](#) category:

Click to view products by [Mill-Max](#) manufacturer:

Other Similar products are found below :

[892-18-020-10-001101](#) [58102-G61-06LF](#) [582553-1](#) [0009485154](#) [009176003701906](#) [0050291907](#) [LY20-4P-DT1-P1E-BR](#) [02.125.8002.8](#)
[609-3404](#) [61062-3](#) [622-0430](#) [622-3653LF](#) [63453-116](#) [636-1030](#) [636-1427](#) [636-3427](#) [636-4007](#) [641938-9](#) [641991-4](#) [644827-2](#) [65817-010LF](#)
[65817-015LF](#) [65863-015LF](#) [66207-023LF](#) [67095-007LF](#) [67601157](#) [68648-049](#) [70.362.1628.0](#) [70-4210](#) [70-4226B](#) [70-4853B](#) [707-5020](#) [707-](#)
[5028](#) [71.350.2428.0](#) [71918-208LF](#) [71961-016LF](#) [733-134](#) [733-162](#) [754199-000](#) [760-3052](#) [787-8014-00](#) [79531-3000](#) [FCN-360C032-B](#) [FCN-](#)
[367T-T012/H](#) [FCN-723D010/2](#) [80.063.4001.1](#) [800-90-001-10-001000](#) [800-90-010-10-002000](#) [801-43-002-10-013000](#) [801-43-006-10-002000](#)