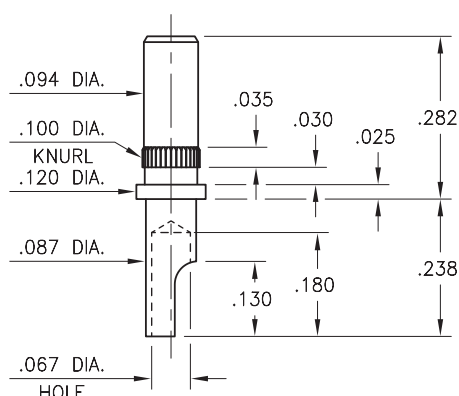
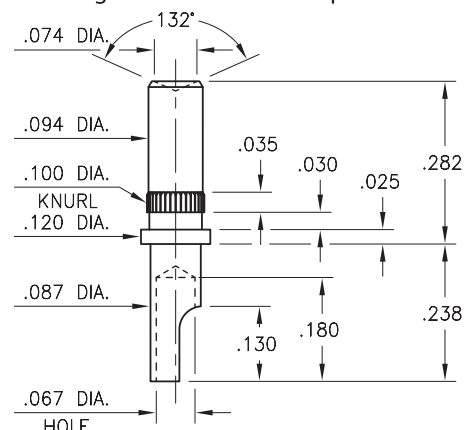


**PRODUCT NUMBER: 1968-0-01-15-00-00-03-0**

**1968-0-01-15-00-00-03-0**  
 Flat face Target contact, Press-fit in .097 mounting hole. For wire sizes up to 16AWG



**1968-1-01-15-00-00-03-0**  
 Concave face Target contact, Press-fit in .097 mounting hole. For wire sizes up to 16AWG



**DESCRIPTION**

Spring-Loaded Target Contact with Concave Face

**Current Rating:**

Application Specific

**Operating Temperature Range:**

-55/+125° C (discontinuous)

**Mounting Feature:**

Press-Fit into a Non-Plated Through Hole (NPTH) or Insulator

**Wire Termination:**

Soldercup up to 16 AWG

**Mounting Hole:** .097" (2,464mm)

**Packaging:** 01 - Packaged in Bulk

<b>Shell Plating</b>	<b>Contact Plating</b>	<b>ROHS</b>
----------------------	------------------------	-------------

10 μ" Gold over Nickel



**ADDITIONAL NOTES & SPECIFICATIONS**

In the interest of improved design, quality and performance, Mill-Max reserves the right to make changes in its specifications without prior notice. Specifications and tolerances are provided wherever possible. Due to the wide variety of interconnects Mill-Max offers, the specific tolerances vary from product to product. If you need information regarding the tolerance of a particular part, please contact Technical Services.

© 2019 Mill-Max Mfg. Corp.  
 190 Pine Hollow Rd , Oyster Bay, NY 11771, USA  
 Phone: 516.922.6000



## X-ON Electronics

Largest Supplier of Electrical and Electronic Components

*Click to view similar products for [Contact Probes](#) category:*

*Click to view products by [Mill-Max](#) manufacturer:*

Other Similar products are found below :

[CT5253](#) [CT5082](#) [100039-033-958](#) [100077-003-0-0](#) [300122-031-1102](#) [R-2-RP-375](#) [S-4-C-5-G S/C](#) [300122-056-0203](#) [SS-75-B-2.4-G](#) [ICT-100-J-17-G](#) [SS-75-C-4.9-D D/C .620 OAL](#) [100165-033-952](#) [100024-002-942](#) [SS-75-E-4.9-D D/C .620 OAL](#) [SX-0-U-2.2-G D/C](#) [101740-028-948](#) [ICT-100-V8-8-G S/C](#) [ICT-075-B-10-G-S S/C](#) [S-2-D-8.3-G D/C](#) [S-2-D-10-G D/C](#) [GSS-19-7-G S/C OAL](#) [ICT-100-T-8-G S/C](#) [GSS-4-7-G S-0-B9-2.5-G S/C](#) [SS-40-J-2.4-G D/C](#) [S-0-A-2.2-D 660 S/C](#) [SS-50-J-3.3-D S/C](#) [S-0-V-3.7-G S/C](#) [SX-2-B-7-G D/C](#) [SX-1-U-6.6-G D/C](#) [SX-1-C-6.6-G D/C](#) [SS-75-D-4.9-D D/C .620 OAL](#) [SS-50-E-2.9-G S/C](#) [SS-40-J-1.8-G-N/L D/C](#) [SS-3-7-G S/C W/HOLE .373 OAL](#) [SS-18-7-G S/C W/HOLE .405 OAL](#) [SS-10-7-G S/C W/HOLE .373 OAL](#) [SS-1-7-G S/C W/HOLE .385 OAL](#) [SHE-5-H-18.7-G](#) [SHE-5-B-18.7-G](#) [SHE-5-A-18.7-G](#) [SHE-3-A-7-G](#) [SH-4-A-10-G S/C](#) [101057-001-952](#) [S-50C-HS-4.3-DG-S](#) [S-5-F-8-G S/C SS SPGS](#) [S-5-F-16.4-G S/C](#) [S-4-E-5-D S/C](#) [S-2-J-8.3-G D/C](#) [S-2-E-10-G D/C](#)