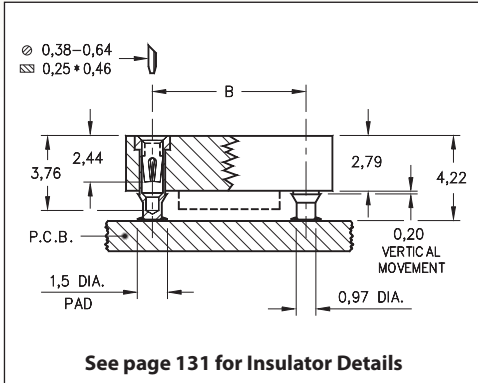
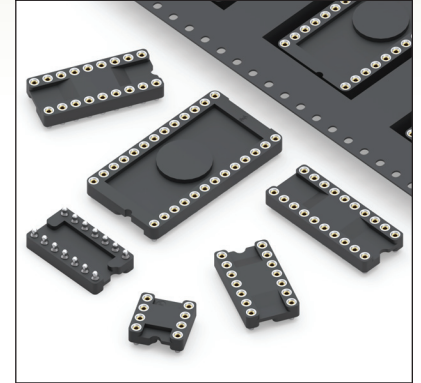


DUAL-IN-LINE SOCKETS

SERIES 214 • SURFACE MOUNT, AUTO PLACEMENT, STUB TAIL • CLOSED FRAME



- Unique floating contacts compensate for the effects of unevenly screened solder paste
- Available packaged in tubes or on tape & reel per EIA-481
- Hi-Rel, 4-finger BeCu #30 contact is rated at 3 amps. See page 253 for details
- Series 214 uses MM #1434 pins. See page 162 for details
- High temp. Nylon 46 insulator is suitable for all surface mount soldering processes. Closed frame insulator is vision system compatible
- For Electrical, Mechanical and Environmental Data, see page 264 for details



Total number of pins				Quantity per tube	ORDERING INFORMATION						
	A	B	C		Tube Packaging	Tape & Reel Packaging	Tape Width (mm)	QTY per Reel			
VACUUM PAD TOP SURFACE ONLY											
6	7,6	7,62	10,1	67	214-XX-306-01-670800	214-XX-306-01-670799	16	750			
8	10,1	7,62	10,1	50	214-XX-308-01-670800	214-XX-308-01-670799	16	1000			
14	17,7	7,62	10,1	28	214-XX-314-01-670800	214-XX-314-01-670799	32	750			
16	20,3	7,62	10,1	25	214-XX-316-01-670800	214-XX-316-01-670799	32	750			
18	22,8	7,62	10,1	22	214-XX-318-01-670800	214-XX-318-01-670799	44	750			
20	25,3	7,62	10,1	20	214-XX-320-01-670800	214-XX-320-01-670799	44	750			
VACUUM PAD TOP AND BOTTOM											
24	30,4	15,24	17,7	16	214-XX-624-01-670800	214-XX-624-01-670799	44	400			
28	35,5	15,24	17,7	14	214-XX-628-01-670800	214-XX-628-01-670799	56	400			
32	40,6	15,24	17,7	12	214-XX-632-01-670800	214-XX-632-01-670799	56	400			
40	50,8	15,24	17,7	10	214-XX-640-01-670800	NOT AVAILABLE					
SPECIFY PLATING CODE XX =								99			44
Sleeve (Pin)								5,08µm Sn/Pb			5,08µm Sn
Contact (Clip)								2,54µm Sn/Pb			2,54µm Sn

X-ON Electronics

Largest Supplier of Electrical and Electronic Components

Click to view similar products for [IC & Component Sockets](#) category:

Click to view products by [Mill-Max](#) manufacturer:

Other Similar products are found below :

[0066-3-17-15-30-14-02-0](#) [670](#) [672](#) [673](#) [694-13-640-00-672-000](#) [712-93-120-41-001000](#) [714-93-104-31-018000](#) [8059-4G1-LF](#) [807-22-001-10-001101](#) [807-22-001-10-006101](#) [807-22-001-30-011101](#) [807-22-001-30-012101](#) [807-22-001-30-013101](#) [807-22-001-30-014101](#) [8-1437531-4](#) [8150-6P10](#) [833-93-034-10-001000](#) [851-41-006-10-001000](#) [851-43-008-20-001000](#) [851-43-014-20-001000](#) [851-93-006-20-001000](#) [851-93-010-20-001000](#) [853-43-020-10-001000](#) [86.010.0053.0](#) [116-43-308-41-007000](#) [PX-68LCC](#) [121-13-318-41-001000](#) [121-13-320-41-001000](#) [121-13-308-41-001000](#) [123-43-314-41-801000](#) [123-43-420-41-001000](#) [123-87-320-41-001101](#) [122-13-316-41-001000](#) [123-13-624-41-001000](#) [123-43-306-41-001000](#) [12-3513-11](#) [123-91-320-41-001000](#) [126-43-310-41-002000](#) [AKSUN 37V-T](#) [1437503-9](#) [1437504-1](#) [146-44-308-41-013000](#) [APO-320-G-T](#) [146-43-308-41-012000](#) [160-10-308-00-001000](#) [160-40-320-00-001000](#) [214-99-306-01-670800](#) [232-1270-02-0602](#) [2-382761-4](#) [2-5331677-4](#)