

# MALE PCB PINS

## SOLDER TERMINAL TURRETS

### 2304

2304-X-00-XX-00-00-07-0

Swage mount in .076 hole



### 2305

2305-X-00-XX-00-00-07-0

Swage mount in .076 hole

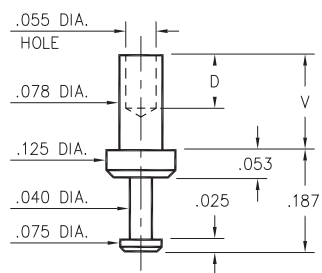


Basic Part Number	Board Thickness	Length V
230X-1	.031	.051
230X-2	.062	.082
230X-3	.094	.113
230X-4	.125	.145

### 2503

2503-X-00-XX-00-00-07-0

Swage mount in .082 hole

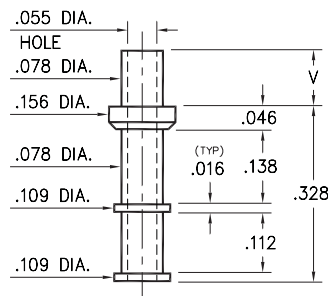


Basic Part Number	Board Thickness	Length V	Depth D
2503-1	.031	.078	.068
2503-2	.062	.109	.098
2503-3	.094	.141	.098
2503-4	.125	.172	.098

### 2704

2704-X-00-XX-00-00-07-0

Swage mount in .082 hole



Basic Part Number	Board Thickness	Length V
2704-1	.031	.075
2704-2	.062	.105
2704-3	.094	.135
2704-4	.125	.165

### 2306

2306-X-00-XX-00-00-07-0

Swage mount in .076 hole



### 2307

2307-X-00-XX-00-00-07-0

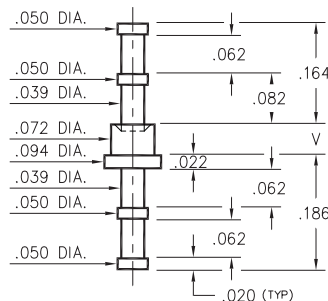
Swage mount in .076 hole



### 2311

2311-X-00-XX-00-00-07-0

Swage mount in .076 hole



Basic Part Number	Board Thickness	Length V
23XX-1	.031	.051
23XX-2	.062	.082
23XX-3	.094	.113
23XX-4	.125	.145

#### SPECIFICATIONS:

**Pin Material:** Brass Alloy 360, 1/2 Hard  
(Swage pins are annealed)

**Dimensions:** Inches

**Tolerances On:** Lengths: ±.005  
Diameters: ±.002  
Angles: ±2°



ORDER CODE: XXXX - X - 00 - XX - 00 - 00 - 07 - 0

BASIC PART #

SPECIFY PIN FINISH:

- 01 200 μ" TIN/LEAD OVER NICKEL
- ◆ 80 200 μ" TIN OVER NICKEL (RoHS)
- ◆ 44 300 μ" SILVER OVER COPPER (RoHS)
- 50 300 μ" ELECTRO-SOLDER (60/40 SnPb)



## X-ON Electronics

Largest Supplier of Electrical and Electronic Components

*Click to view similar products for [IC & Component Sockets](#) category:*

*Click to view products by [Mill-Max](#) manufacturer:*

Other Similar products are found below :

[0066-3-17-15-30-14-02-0](#) [670](#) [672](#) [673](#) [694-13-640-00-672-000](#) [712-93-120-41-001000](#) [714-93-104-31-018000](#) [8059-4G1-LF](#) [807-22-001-10-001101](#) [807-22-001-10-006101](#) [807-22-001-30-011101](#) [807-22-001-30-012101](#) [807-22-001-30-013101](#) [807-22-001-30-014101](#) [8-1437531-4](#) [8150-6P10](#) [833-93-034-10-001000](#) [851-41-006-10-001000](#) [851-43-008-20-001000](#) [851-43-014-20-001000](#) [851-93-006-20-001000](#) [851-93-010-20-001000](#) [853-43-020-10-001000](#) [86.010.0053.0](#) [116-43-308-41-007000](#) [PX-68LCC](#) [121-13-318-41-001000](#) [121-13-320-41-001000](#) [121-13-308-41-001000](#) [123-43-314-41-801000](#) [123-43-420-41-001000](#) [123-87-320-41-001101](#) [122-13-316-41-001000](#) [123-13-624-41-001000](#) [123-43-306-41-001000](#) [12-3513-11](#) [123-91-320-41-001000](#) [126-43-310-41-002000](#) [AKSUN 37V-T](#) [1437503-9](#) [1437504-1](#) [146-44-308-41-013000](#) [APO-320-G-T](#) [146-43-308-41-012000](#) [160-10-308-00-001000](#) [160-40-320-00-001000](#) [214-99-306-01-670800](#) [232-1270-02-0602](#) [2-382761-4](#) [2-5331677-4](#)