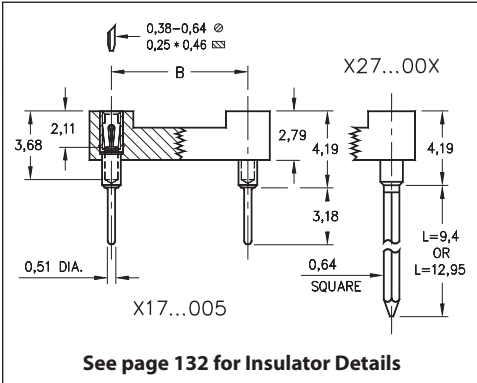


# DUAL-IN-LINE SOCKETS

**SERIES 117, 127, 217, 227, 317, 327 • SHRINK DIP, SOLDER TAIL & WRAPOST**



- High density DIP sockets and strips for devices featuring 1,78 lead spacing
- Solder tails use MM #1802 receptacles, See page 169 for details. Wraposts use MM #1702-2 or 1703-3 receptacles, See page 198 for details
- Hi-Rel, 4-finger BeCu #30 contact is rated at 3 amps. See page 253 for details
- Insulators are high temperature thermoplastic, suitable for all soldering operations
- For Electrical, Mechanical and Environmental Data, see page 264 for details



Total number of pins	Pin Spacing			Quantity per tube	ORDERING INFORMATION					
	A	B	C		Solder Tail	L = 9,4 (2 Level Wrapost)	L = 12,95 (3 Level Wrapost)			
					<b>OPEN FRAME DIP SOCKET</b>					
16	14,53	7,62	9,91	35	117-XX-316-41-005000	127-XX-316-41-002000	127-XX-316-41-003000			
28	25,2	10,16	12,45	20	117-XX-428-41-005000	127-XX-428-41-002000	127-XX-428-41-003000			
30	26,97	10,16	12,45	18	117-XX-430-41-005000	127-XX-430-41-002000	127-XX-430-41-003000			
48	42,98	10,16	12,45	12	117-XX-448-41-005000	127-XX-448-41-002000	127-XX-448-41-003000			
20	18,08	15,24	17,53	28	117-XX-620-41-005000	127-XX-620-41-002000	127-XX-620-41-003000			
28	25,2	15,24	17,53	20	117-XX-628-41-005000	127-XX-628-41-002000	127-XX-628-41-003000			
40	35,86	15,24	17,53	14	117-XX-640-41-005000	127-XX-640-41-002000	127-XX-640-41-003000			
42	37,64	15,24	17,53	13	117-XX-642-41-005000	127-XX-642-41-002000	127-XX-642-41-003000			
48	42,98	15,24	17,53	11	117-XX-648-41-005000	127-XX-648-41-002000	127-XX-648-41-003000			
52	46,53	15,24	17,53	11	117-XX-652-41-005000	127-XX-652-41-002000	127-XX-652-41-003000			
56	50,1	15,24	17,53	10	117-XX-656-41-005000	127-XX-656-41-002000	127-XX-656-41-003000			
64	57,2	15,24	17,53	8	117-XX-664-41-005000	127-XX-664-41-002000	127-XX-664-41-003000			
68	60,76	15,24	17,53	8	117-XX-668-41-005000	127-XX-668-41-002000	127-XX-668-41-003000			
64	57,2	19,05	21,34	8	117-XX-764-41-005000	127-XX-764-41-002000	127-XX-764-41-003000			
					<b>CLOSED FRAME DIP SOCKET</b>					
64	57,2	19,05	21,34	8	217-XX-764-41-005000	227-XX-764-41-002000	227-XX-764-41-003000			
					<b>SINGLE ROW STRIP SOCKET</b>					
					If desired, we will supply any length up to 21 pins.					
21	37,64	---	2,64	-	317-XX-121-41-005000	327-XX-121-41-002000	327-XX-121-41-003000			
<div style="border: 1px solid black; border-radius: 50%; padding: 5px; display: inline-block;"> <b>XX=Plating Code See to Right</b> </div>					<b>SPECIFY PLATING CODE XX=</b>		91	93	41	43
					Sleeve (Pin)		5,08µm Sn/Pb	5,08µm Sn/Pb	5,08µm Sn	5,08µm Sn
					Contact (Clip)		0,25µm Au	0,76µm Au	0,25µm Au	0,76µm Au



## X-ON Electronics

Largest Supplier of Electrical and Electronic Components

*Click to view similar products for [IC & Component Sockets](#) category:*

*Click to view products by [Mill-Max](#) manufacturer:*

Other Similar products are found below :

[0066-3-17-15-30-14-02-0](#) [670](#) [672](#) [673](#) [694-13-640-00-672-000](#) [712-93-120-41-001000](#) [714-93-104-31-018000](#) [8059-4G1-LF](#) [807-22-001-10-001101](#) [807-22-001-10-006101](#) [807-22-001-30-011101](#) [807-22-001-30-012101](#) [807-22-001-30-013101](#) [807-22-001-30-014101](#) [8-1437531-4](#) [8150-6P10](#) [833-93-034-10-001000](#) [851-41-006-10-001000](#) [851-43-008-20-001000](#) [851-43-014-20-001000](#) [851-93-006-20-001000](#) [851-93-010-20-001000](#) [853-43-020-10-001000](#) [86.010.0053.0](#) [116-43-308-41-007000](#) [PX-68LCC](#) [121-13-318-41-001000](#) [121-13-320-41-001000](#) [121-13-308-41-001000](#) [123-43-314-41-801000](#) [123-43-420-41-001000](#) [123-87-320-41-001101](#) [122-13-316-41-001000](#) [123-13-624-41-001000](#) [123-43-306-41-001000](#) [12-3513-11](#) [123-91-320-41-001000](#) [126-43-310-41-002000](#) [AKSUN 37V-T](#) [1437503-9](#) [1437504-1](#) [146-44-308-41-013000](#) [APO-320-G-T](#) [146-43-308-41-012000](#) [160-10-308-00-001000](#) [160-40-320-00-001000](#) [214-99-306-01-670800](#) [232-1270-02-0602](#) [2-382761-4](#) [2-5331677-4](#)