

Fig. 1

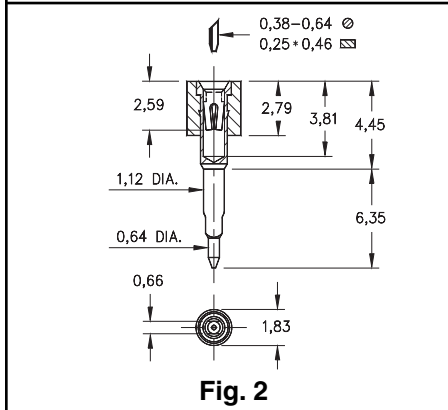


Fig. 2

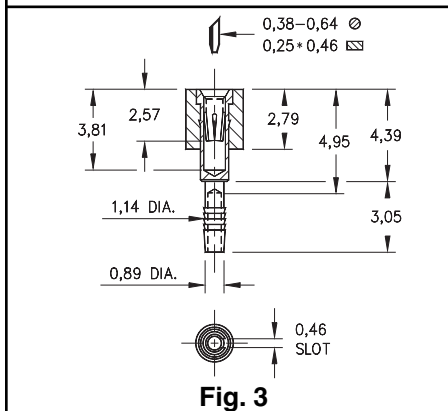


Fig. 3

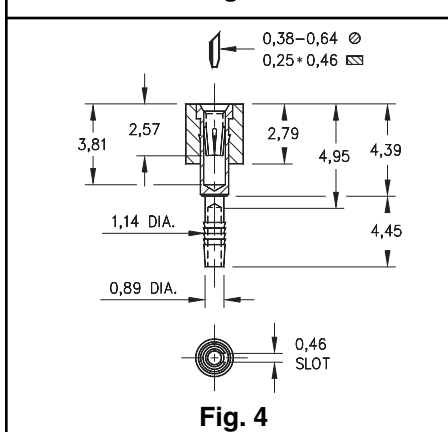


Fig. 4

- Unique compliant tail pins conform to the plated through-hole without stressing the inner layers of a multilayer board.
- Recommended plated through-hole for 304 series: 0,91 - 1,04 use a 1.1mm drill prior to plating. Using MM #0477 & #0478 pins, see page 133 for details.
- For 346 series: 1,02 ± 0,07 finished plated through-hole. Using MM #4612 & #4613 pins, see page 133 for details. Patent No. 4,799,904.
- Hi-Rel, 4 finger BeCu #30 contact is rated at 3 amps. See page 218 for details.
- Insulators are high temp. thermoplastic.



Ordering Information

Series 304...770 SOLDERLESS PRESS-FIT

Fig. 1	(For 1,57 Thick Boards)
	304-13-1__-41-770000 Specify # of pins → 01-64

Series 304...780 SOLDERLESS PRESS-FIT

Fig. 2	(For 3,18 Thick Boards)
	304-13-1__-41-780000 Specify # of pins → 01-64

Mill-Max recommends plating Code 13 for Series 304...770 and 304...780

Series 346...012 COMPLIANT SOLDERLESS PRESS-FIT

Fig. 3	(For 1,52 - 2,54 Thick Boards)
	346-XX-1__-41-012000 Specify # of pins → 01-64

Series 346...013 COMPLIANT SOLDERLESS PRESS-FIT

Fig. 4	(For 2,29 - 3,3 Thick Boards)
	346-XX-1__-41-013000 Specify # of pins → 01-64

For Electrical, Mechanical & Environmental Data, See pg. 4
XX=Plating Code See Below
For RoHS compliance select \diamond plating code.

SPECIFY PLATING CODE XX=	13 \diamond	93	99	43 \diamond	44 \diamond
Sleeve (Pin)	0,25µm Au	5,08µm Sn/Pb	5,08µm Sn/Pb	5,08µm Sn	5,08µm Sn
Contact (Clip)	0,76µm Au	0,76µm Au	5,08µm Sn/Pb	0,76µm Au	0,76µm Au

X-ON Electronics

Largest Supplier of Electrical and Electronic Components

Click to view similar products for [IC & Component Sockets](#) category:

Click to view products by [Mill-Max](#) manufacturer:

Other Similar products are found below :

[0066-3-17-15-30-14-02-0](#) [670](#) [672](#) [673](#) [694-13-640-00-672-000](#) [712-93-120-41-001000](#) [714-93-104-31-018000](#) [8059-4G1-LF](#) [807-22-001-10-001101](#) [807-22-001-10-006101](#) [807-22-001-30-011101](#) [807-22-001-30-012101](#) [807-22-001-30-013101](#) [807-22-001-30-014101](#) [8-1437531-4](#) [8150-6P10](#) [833-93-034-10-001000](#) [851-41-006-10-001000](#) [851-43-008-20-001000](#) [851-43-014-20-001000](#) [851-93-006-20-001000](#) [851-93-010-20-001000](#) [853-43-020-10-001000](#) [86.010.0053.0](#) [116-43-308-41-007000](#) [PX-68LCC](#) [121-13-318-41-001000](#) [121-13-320-41-001000](#) [121-13-308-41-001000](#) [123-43-314-41-801000](#) [123-43-420-41-001000](#) [123-87-320-41-001101](#) [122-13-316-41-001000](#) [123-13-624-41-001000](#) [123-43-306-41-001000](#) [12-3513-11](#) [123-91-320-41-001000](#) [126-43-310-41-002000](#) [AKSUN 37V-T](#) [1437503-9](#) [1437504-1](#) [146-44-308-41-013000](#) [APO-320-G-T](#) [146-43-308-41-012000](#) [160-10-308-00-001000](#) [160-40-320-00-001000](#) [214-99-306-01-670800](#) [232-1270-02-0602](#) [2-382761-4](#) [2-5331677-4](#)