

INTERCONNECTS

SERIES 304, 346 • .100" GRID SOLDERLESS PRESS-FIT • SINGLE ROW STRIPS

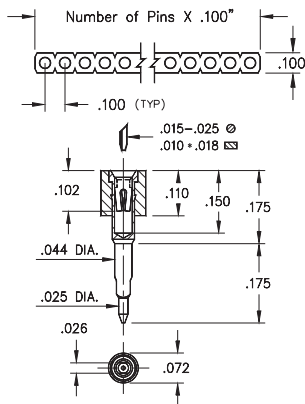


FIG. 1

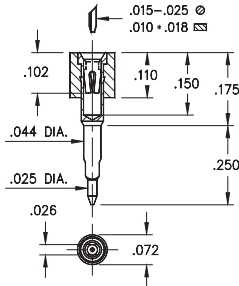


FIG. 2

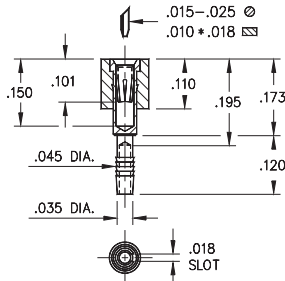


FIG. 3

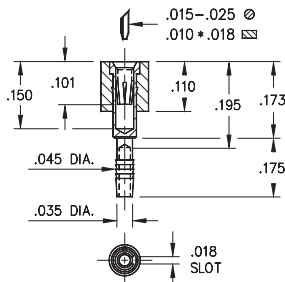


FIG. 4

- Unique compliant tail pins conform to the plated through-hole without stressing the inner layers of a multilayer board
- Recommended plated through-hole for 304 series: .036"-.041" use a 1,1mm drill prior to plating. Using MM #0477 & #0478 pins. See page 162 for details
- For 346 series: .040"±.003" finished plated through-hole. Using MM #4612 & #4613 pins. See page 162 for details. Patent No. 4,799,904
- Hi-Rel, 4-finger BeCu #30 contact is rated at 3 amps. See page 253 for details
- Insulators are high temperature thermoplastic



ORDERING INFORMATION

| FIG. 1 | Series 304...770 Solderless Press-Fit | | | | | | | | | | | | | | | | | | | | | | | | | | | |
|--|--|--------------------------|--------------|--------------|--------------|-----------|-----------|-----------|----|----|--------------|----------|----------|--------------|--------------|--------------|-----------|-----------|-----------|----------------|----------|----------|----------|----------|--------------|----------|----------|-----------|
| | For .062" Thick Boards 304-XX-1__-41-770000 Specify number of pins ↑ 01-64 | | | | | | | | | | | | | | | | | | | | | | | | | | | |
| FIG. 2 | Series 304...780 Solderless Press-Fit | | | | | | | | | | | | | | | | | | | | | | | | | | | |
| | For .125" Thick Boards 304-XX-1__-41-780000 Specify number of pins ↑ 01-64 | | | | | | | | | | | | | | | | | | | | | | | | | | | |
| Mill-Max recommends plating Code 13 for Series 304...770 and 304...780 | | | | | | | | | | | | | | | | | | | | | | | | | | | | |
| FIG. 3 | Series 346...012 Compliant Solderless Press-Fit | | | | | | | | | | | | | | | | | | | | | | | | | | | |
| | For .060"-.100" Thick Boards 346-XX-1__-41-012000 Specify number of pins ↑ 01-64 | | | | | | | | | | | | | | | | | | | | | | | | | | | |
| FIG. 4 | Series 346...013 Compliant Solderless Press-Fit | | | | | | | | | | | | | | | | | | | | | | | | | | | |
| | For .090"-.130" Thick Boards 346-XX-1__-41-013000 Specify number of pins ↑ 01-64 | | | | | | | | | | | | | | | | | | | | | | | | | | | |
| <div style="display: flex; justify-content: space-around; align-items: center;"> <div style="border: 1px solid black; padding: 5px; background-color: #90EE90;">RoHS-2 2011/65/EU</div> <div style="border: 1px solid black; border-radius: 50%; padding: 5px;">XX=Plating Code See Below</div> <div style="border: 1px solid black; border-radius: 50%; padding: 5px;">For Electrical, Mechanical & Environmental Data, See page 264</div> </div> | | | | | | | | | | | | | | | | | | | | | | | | | | | | |
| <table border="1" style="width: 100%; border-collapse: collapse;"> <thead> <tr> <th style="text-align: left;">SPECIFY PLATING CODE XX=</th> <th>11</th> <th>13</th> <th>91</th> <th>93</th> <th>99</th> <th>41</th> <th>43</th> <th>44</th> </tr> </thead> <tbody> <tr> <td>Sleeve (Pin) </td> <td>10 μ" Au</td> <td>10 μ" Au</td> <td>200 μ" Sn/Pb</td> <td>200 μ" Sn/Pb</td> <td>200 μ" Sn/Pb</td> <td>200 μ" Sn</td> <td>200 μ" Sn</td> <td>200 μ" Sn</td> </tr> <tr> <td>Contact (Clip) </td> <td>10 μ" Au</td> <td>30 μ" Au</td> <td>10 μ" Au</td> <td>30 μ" Au</td> <td>100 μ" Sn/Pb</td> <td>10 μ" Au</td> <td>30 μ" Au</td> <td>100 μ" Sn</td> </tr> </tbody> </table> | | SPECIFY PLATING CODE XX= | 11 | 13 | 91 | 93 | 99 | 41 | 43 | 44 | Sleeve (Pin) | 10 μ" Au | 10 μ" Au | 200 μ" Sn/Pb | 200 μ" Sn/Pb | 200 μ" Sn/Pb | 200 μ" Sn | 200 μ" Sn | 200 μ" Sn | Contact (Clip) | 10 μ" Au | 30 μ" Au | 10 μ" Au | 30 μ" Au | 100 μ" Sn/Pb | 10 μ" Au | 30 μ" Au | 100 μ" Sn |
| SPECIFY PLATING CODE XX= | 11 | 13 | 91 | 93 | 99 | 41 | 43 | 44 | | | | | | | | | | | | | | | | | | | | |
| Sleeve (Pin) | 10 μ" Au | 10 μ" Au | 200 μ" Sn/Pb | 200 μ" Sn/Pb | 200 μ" Sn/Pb | 200 μ" Sn | 200 μ" Sn | 200 μ" Sn | | | | | | | | | | | | | | | | | | | | |
| Contact (Clip) | 10 μ" Au | 30 μ" Au | 10 μ" Au | 30 μ" Au | 100 μ" Sn/Pb | 10 μ" Au | 30 μ" Au | 100 μ" Sn | | | | | | | | | | | | | | | | | | | | |

X-ON Electronics

Largest Supplier of Electrical and Electronic Components

Click to view similar products for [IC & Component Sockets](#) category:

Click to view products by [Mill-Max](#) manufacturer:

Other Similar products are found below :

[714-43-102-31-012000](#) [0066-3-17-15-30-14-02-0](#) [0134-0-15-15-32-27-04-0](#) [614-DG5](#) [6527-0-00-15-00-00-03-0](#) [670](#) [672](#) [673](#) [712-93-120-41-001000](#) [714-93-104-31-018000](#) [8059-4G1-LF](#) [807-22-001-10-001101](#) [807-22-001-10-003101](#) [807-22-001-10-004101](#) [807-22-001-10-006101](#) [807-22-001-30-011101](#) [807-22-001-30-012101](#) [807-22-001-30-013101](#) [807-22-001-30-014101](#) [8-1437531-4](#) [8150-6P10](#) [833-93-034-10-001000](#) [835-43-014-10-001000](#) [851-41-006-10-001000](#) [851-43-008-20-001000](#) [851-43-014-20-001000](#) [851-93-006-20-001000](#) [851-93-010-20-001000](#) [852-10-026-10-001000](#) [853-43-020-10-001000](#) [86.010.0053.0](#) [116-43-306-41-003000](#) [116-43-308-41-007000](#) [116-87-308-41-007101](#) [PX-68LCC](#) [PX-84LCC](#) [121-13-318-41-001000](#) [121-13-320-41-001000](#) [121-13-308-41-001000](#) [123-43-314-41-801000](#) [123-43-420-41-001000](#) [123-43-636-41-001000](#) [123-87-320-41-001101](#) [122-13-316-41-001000](#) [123-13-624-41-001000](#) [123-43-306-41-001000](#) [123-43-322-41-801000](#) [123-43-428-41-001000](#) [123-43-624-41-001000](#) [12-3513-11](#)