

INTERCONNECTS

SERIES 310, 350, 410, 450 • 2,54 GRID (0,46 DIA. PINS), SMT GULL WING HEADERS & SOCKETS • SINGLE AND DOUBLE ROW STRIPS

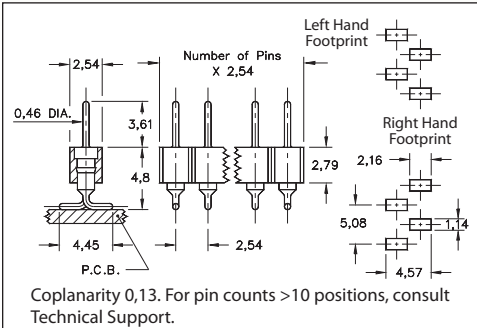


FIG. 1

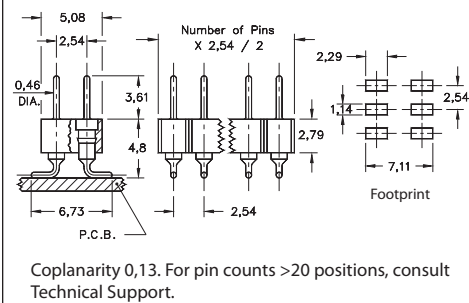


FIG. 2

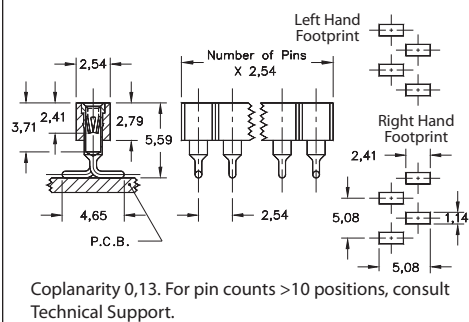


FIG. 3

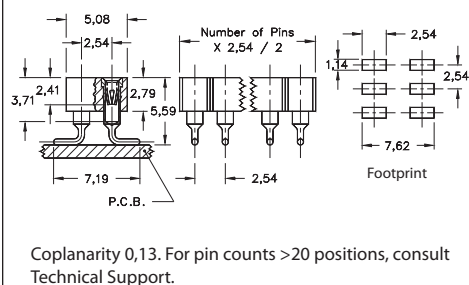
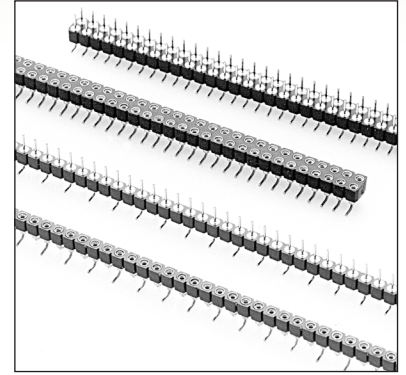


FIG. 4

- Headers (350 & 450) use MM #3404 pins. See page 212 for details
- Sockets (310 & 410) use MM #1005 receptacles and accept pin diameters from 0,38 - 0,64. See page 166 for details
- Contact is rated at 3 amps
- Coplanarity 0,13 (single row max. 10 pins; double row max. 20 pins). For higher pin counts, contact Technical Support
- Insulators are high temperature thermoplastic, suitable for all soldering operations



ORDERING INFORMATION

FIG. 1L	Single Row Header, Left Hand Footprint, Odd or Even # of pins				
	350-XX-1__-00-106000 Specify number of pins ↑ 02-64				
FIG. 1R	Single Row Header, Right Hand Footprint, Even # of pins				
	350-XX-1__-00-107000 Specify number of pins ↑ 02-64				
FIG. 2	Double Row Header, Even # of pins				
	450-XX-2__-00-106000 Specify number of pins ↑ 04-72				
SPECIFY PLATING CODE XX=		10 ◆	90	40 ◆	
Pin Plating		0,25µm Au	5,08µm Sn/Pb	5,08µm Sn	
FIG. 3L	Single Row Socket, Left Hand Footprint, Odd or Even # of pins				
	310-XX-1__-41-105000 Specify number of pins ↑ 02-64				
FIG. 3R	Single Row Socket, Right Hand Footprint, Even # of pins				
	310-XX-1__-41-107000 Specify number of pins ↑ 02-64				
FIG. 4	Double Row Socket, Even # of pins				
	410-XX-2__-41-105000 Specify number of pins ↑ 04-72				
SPECIFY PLATING CODE XX=		91	93	41 ◆	43 ◆
Sleeve (Pin)		5,08µm Sn/Pb	5,08µm Sn/Pb	5,08µm Sn	5,08µm Sn
Contact (Clip)		0,25µm Au	0,76µm Au	0,25µm Au	0,76µm Au

X-ON Electronics

Largest Supplier of Electrical and Electronic Components

Click to view similar products for [Headers & Wire Housings](#) category:

Click to view products by [Mill-Max](#) manufacturer:

Other Similar products are found below :

[892-18-020-10-001101](#) [58102-G61-06LF](#) [582553-1](#) [0009485154](#) [009176003701906](#) [0050291907](#) [LY20-4P-DT1-P1E-BR](#) [02.125.8002.8](#)
[609-3404](#) [61062-3](#) [622-0430](#) [622-3653LF](#) [63453-116](#) [636-1030](#) [636-1427](#) [636-3427](#) [636-4007](#) [641938-9](#) [641991-4](#) [644827-2](#) [65817-010LF](#)
[65817-015LF](#) [65863-015LF](#) [66207-023LF](#) [67095-007LF](#) [67601157](#) [68648-049](#) [70.362.1628.0](#) [70-4210](#) [70-4226B](#) [70-4853B](#) [707-5020](#) [707-](#)
[5028](#) [71.350.2428.0](#) [71918-208LF](#) [71961-016LF](#) [733-134](#) [733-162](#) [754199-000](#) [760-3052](#) [787-8014-00](#) [79531-3000](#) [FCN-360C032-B](#) [FCN-](#)
[367T-T012/H](#) [FCN-723D010/2](#) [80.063.4001.1](#) [800-90-001-10-001000](#) [800-90-010-10-002000](#) [801-43-002-10-013000](#) [801-43-006-10-002000](#)