

INTERCONNECTS

SERIES 340 & 399 • 1,27 AND 2,54 GRID SURFACE MOUNT HEADERS & SOCKETS • SINGLE ROW STRIPS

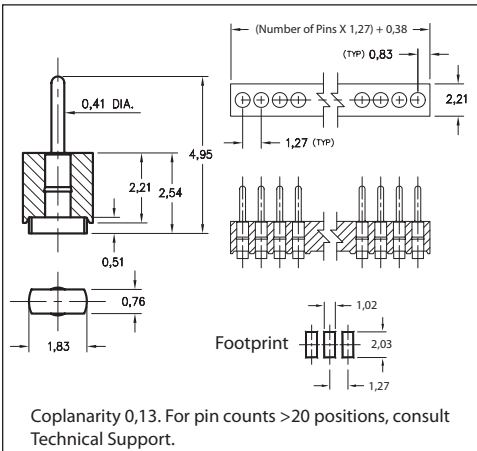


FIG. 1

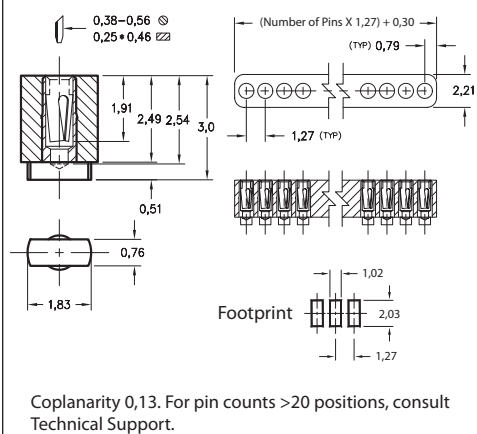


FIG. 2

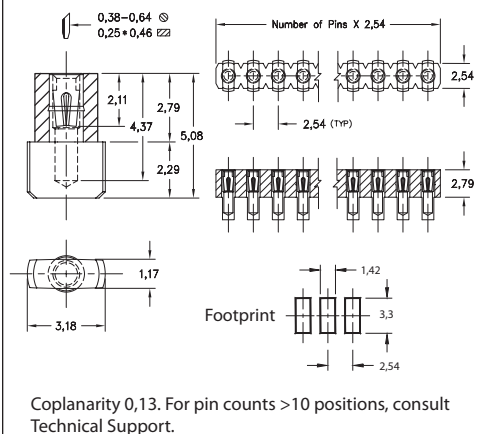


FIG. 3

- Series 340 and 399 interconnects are single row headers & sockets having unique surface mount "block" terminals
- "Block" termination makes the interconnects "self standing". This also minimizes profile and reduces the footprint compared with traditional "gullwing" designs
- Series 399 is a matched pair of 1,27 pitch sockets and headers with a mated height of only 5,54
- Series 340 is a 2,54 pitch SIP socket using a Hi-Rel, 4-finger BeCu #30 contact rated at 3 amps. See page 253 for details
- Insulators are high temperature thermoplastic, suitable for all soldering processes



ORDERING INFORMATION

FIG. 1	Series 399...310	Single Row 1,27 Grid Header			
		399-10-0-00-310000			
	Specify number of pins	↑		02-50	
	RoHS-2 2011/65/EU	XX=Plating Code See Below		For Electrical, Mechanical & Environmental Data, See page 264	
	SPECIFY PLATING CODE XX=	10	◆		
	Pin Plating		0,25µm Au		
FIG. 2	Series 399...300	Single Row 1,27 Grid Socket			
		399-XX-0-21-300000			
	Specify number of pins	↑		02-50	
	RoHS-2 2011/65/EU	XX=Plating Code See Below		For Electrical, Mechanical & Environmental Data, See page 264	
	SPECIFY PLATING CODE XX=		91	41	◆
	Sleeve (Pin)		5,08µm Sn/Pb	5,08µm Sn	
	Contact (Clip)		0,25µm Au	0,25µm Au	
FIG. 3	Series 340...780	Single Row 2,54 Grid Socket			
		340-XX-1-30-780100			
	Specify number of pins	↑		02-64	
	RoHS-2 2011/65/EU	XX=Plating Code See Below		For Electrical, Mechanical & Environmental Data, See page 264	
	SPECIFY PLATING CODE XX=			99	44
	Sleeve (Pin)		5,08µm Sn/Pb	5,08µm Sn	
	Contact (Clip)		2,54µm Sn/Pb	2,54µm Sn	



X-ON Electronics

Largest Supplier of Electrical and Electronic Components

Click to view similar products for [Headers & Wire Housings](#) category:

Click to view products by [Mill-Max](#) manufacturer:

Other Similar products are found below :

[892-18-020-10-001101](#) [58102-G61-06LF](#) [582553-1](#) [0009485154](#) [009176003701906](#) [0050291907](#) [LY20-4P-DT1-P1E-BR](#) [02.125.8002.8](#)
[609-3404](#) [61062-3](#) [622-0430](#) [622-3653LF](#) [63453-116](#) [636-1030](#) [636-1427](#) [636-3427](#) [636-4007](#) [641938-9](#) [641991-4](#) [644827-2](#) [65817-010LF](#)
[65817-015LF](#) [65863-015LF](#) [66207-023LF](#) [67095-007LF](#) [67601157](#) [68648-049](#) [70.362.1628.0](#) [70-4210](#) [70-4226B](#) [70-4853B](#) [707-5020](#) [707-](#)
[5028](#) [71.350.2428.0](#) [71918-208LF](#) [71961-016LF](#) [733-134](#) [733-162](#) [754199-000](#) [760-3052](#) [787-8014-00](#) [79531-3000](#) [FCN-360C032-B](#) [FCN-](#)
[367T-T012/H](#) [FCN-723D010/2](#) [80.063.4001.1](#) [800-90-001-10-001000](#) [800-90-010-10-002000](#) [801-43-002-10-013000](#) [801-43-006-10-002000](#)