

INTERCONNECTS

SERIES 442 • 2,54 GRID BOARD STACKING HEADERS • DOUBLE ROW STRIPS

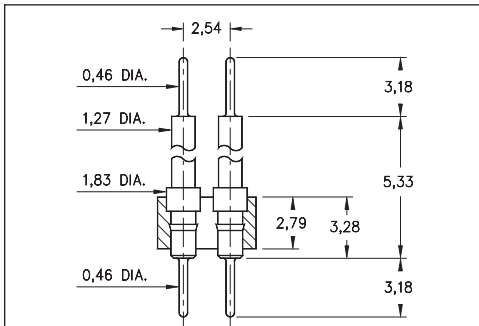


FIG. 1

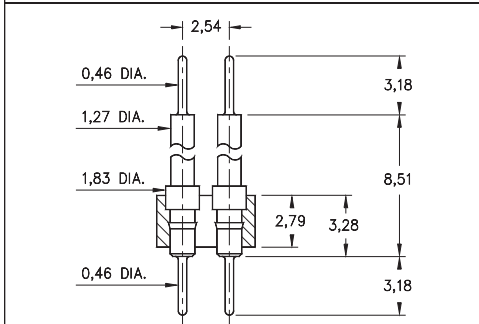


FIG. 2

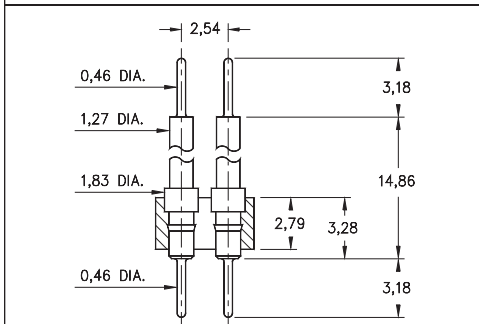


FIG. 3

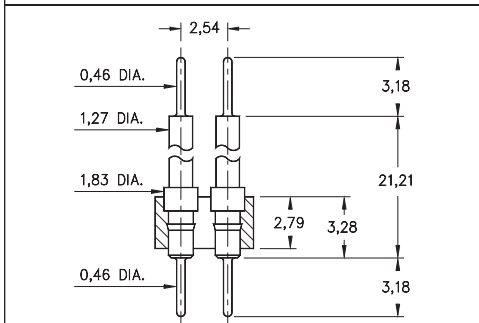


FIG. 4

- Series 442 interconnect header strips come in four heights with 0,46 dia. pluggable solder tails at both ends

442...591 uses pin #4259-1 (L = 5,33)
 442...592 uses pin #4259-2 (L = 8,51)
 442...593 uses pin #4259-3 (L = 14,86)
 442...594 uses pin #4259-4 (L = 21,21)
 See page 212 for details

- Insulators are high temperature thermoplastic, suitable for all soldering operations



ORDERING INFORMATION

FIG. 1	Series 442...591	0,46 / 0,46 Dia. Solder Tails
	442-XX-2--00-591000	Specify number of pins → 04-64
FIG. 2	Series 442...592	0,46 / 0,46 Dia. Solder Tails
	442-XX-2--00-592000	Specify number of pins → 04-64
FIG. 3	Series 442...593	0,46 / 0,46 Dia. Solder Tails
	442-XX-2--00-593000	Specify number of pins → 04-64
FIG. 4	Series 442...594	0,46 / 0,46 Dia. Solder Tails
	442-XX-2--00-594000	Specify number of pins → 04-64



XX=Plating Code
See Below

For
Electrical, Mechanical
& Environmental Data,
See page 264

SPECIFY PLATING CODE XX=	10 ◆	90	40 ◆	
Pin Plating 	0,25µm Au	5,08µm Sn/Pb	5,08µm Sn	



X-ON Electronics

Largest Supplier of Electrical and Electronic Components

Click to view similar products for [Headers & Wire Housings](#) category:

Click to view products by [Mill-Max](#) manufacturer:

Other Similar products are found below :

[95000-104TRLF](#) [10135584-644402LF](#) [DF62W-EP2022PCA](#) [95000-106TRLF](#) [DF62W-2022SCA](#) [DF62W-EP2022PC](#) [2203348](#) [DF62W-2022SC](#) [1084018](#) [1029039](#) [1084017](#) [802-10-012-10-002000](#) [1112640](#) [1112639](#) [891-007-9SS-BST1T](#) [000-34000](#) [0008550134](#) [0009482033](#) [0009507031](#) [57102-F02-18ULF](#) [57102-S06-03LF](#) [57202-S52-04LF](#) [PCN6-15S-2.5E](#) [0039019024](#) [58102-G61-06LF](#) [582553-1](#) [0009485154](#) [0009508121](#) [009176003701906](#) [0022285053](#) [0050291907](#) [018731A](#) [LY20-4P-DT1-P1E-BR](#) [02.125.8002.8](#) [60101931](#) [60598-1 \(Cut Strip\)](#) [M1625-3R/100](#) [61062-3](#) [61082-181009](#) [CSU011177004](#) [636-1427](#) [638009-1](#) [641938-9](#) [641991-4](#) [644168-1](#) [644827-2](#) [647662-1](#) [65039-019ELF](#) [65692-001LF](#) [65781-018](#)