

INTERCONNECTS

SERIES 451 • 2,54 GRID INTERCONNECT HEADERS • DOUBLE ROW STRIPS

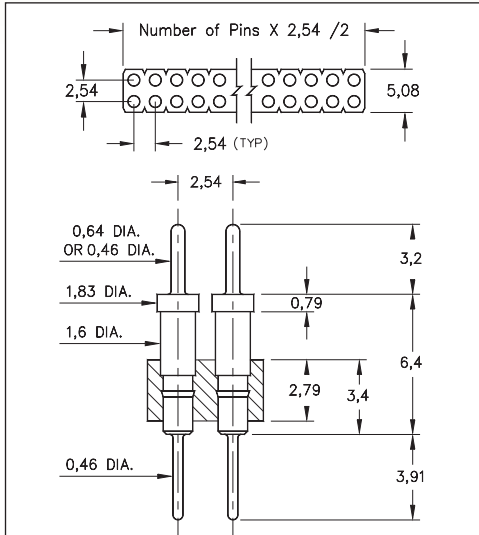


FIG. 1

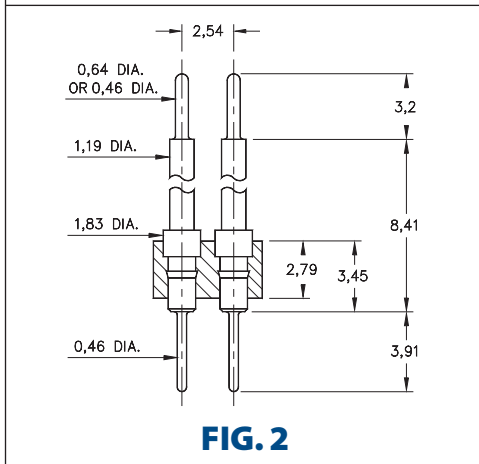


FIG. 2

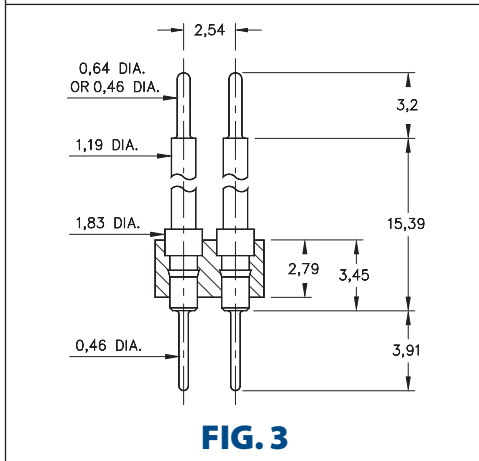







FIG. 3

- Series 451 interconnect header strips come in three lengths with 0,46 dia. pluggable solder tails at one end and 0,64 dia. pins at the other. Please see series:
451...003 uses pin #5503
451...004 uses pin #5504
451...005 uses pin #5505
- 0,46 pluggable solder tails are available at both ends. Please see series:
451...009 uses pin #5509
451...010 uses pin #5510
451...011 uses pin #5511
See pages 212 and 214 for details
- Insulators are high temperature thermoplastic, suitable for all soldering operations



ORDERING INFORMATION

FIG. 1	Series 451...003	0,46 / 0,64 Dia. Solder Tails
	451-10-2-__-00-003000	Specify number of pins → 04-64
FIG. 2	Series 451...009	0,46 / 0,46 Dia. Solder Tails
	451-10-2-__-00-009000	Specify number of pins → 04-64
FIG. 3	Series 451...004	0,46 / 0,64 Dia. Solder Tails
	451-10-2-__-00-004000	Specify number of pins → 04-64
FIG. 3	Series 451...010	0,46 / 0,46 Dia. Solder Tails
	451-10-2-__-00-010000	Specify number of pins → 04-64
FIG. 3	Series 451...005	0,46 / 0,64 Dia. Solder Tails
	451-10-2-__-00-005000	Specify number of pins → 04-64
FIG. 3	Series 451...011	0,46 / 0,46 Dia. Solder Tails
	451-10-2-__-00-011000	Specify number of pins → 04-64
  		
SPECIFY PLATING CODE XX= 10 		
Pin Plating  0,25µm Au		

X-ON Electronics

Largest Supplier of Electrical and Electronic Components

Click to view similar products for [Headers & Wire Housings](#) category:

Click to view products by [Mill-Max](#) manufacturer:

Other Similar products are found below :

[892-18-020-10-001101](#) [58102-G61-06LF](#) [582553-1](#) [0009485154](#) [009176003701906](#) [0050291907](#) [LY20-4P-DT1-P1E-BR](#) [02.125.8002.8](#)
[609-3404](#) [61062-3](#) [622-0430](#) [622-3653LF](#) [63453-116](#) [636-1030](#) [636-1427](#) [636-3427](#) [636-4007](#) [641938-9](#) [641991-4](#) [644827-2](#) [65817-010LF](#)
[65817-015LF](#) [65863-015LF](#) [66207-023LF](#) [67095-007LF](#) [67601157](#) [68648-049](#) [70.362.1628.0](#) [70-4210](#) [70-4226B](#) [70-4853B](#) [707-5020](#) [707-](#)
[5028](#) [71.350.2428.0](#) [71918-208LF](#) [71961-016LF](#) [733-134](#) [733-162](#) [754199-000](#) [760-3052](#) [787-8014-00](#) [79531-3000](#) [FCN-360C032-B](#) [FCN-](#)
[367T-T012/H](#) [FCN-723D010/2](#) [80.063.4001.1](#) [800-90-001-10-001000](#) [800-90-010-10-002000](#) [801-43-002-10-013000](#) [801-43-006-10-002000](#)