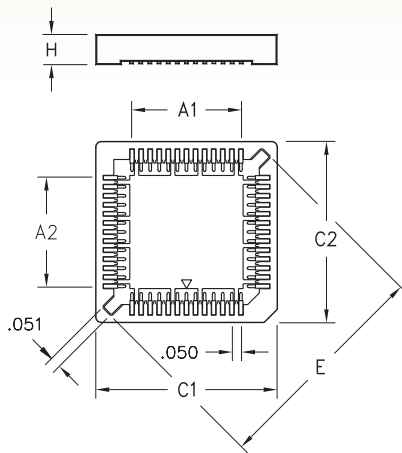
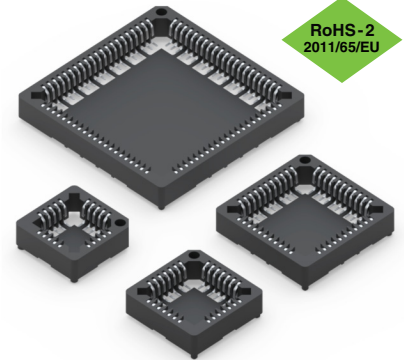


# COMPACT PLC SOCKETS

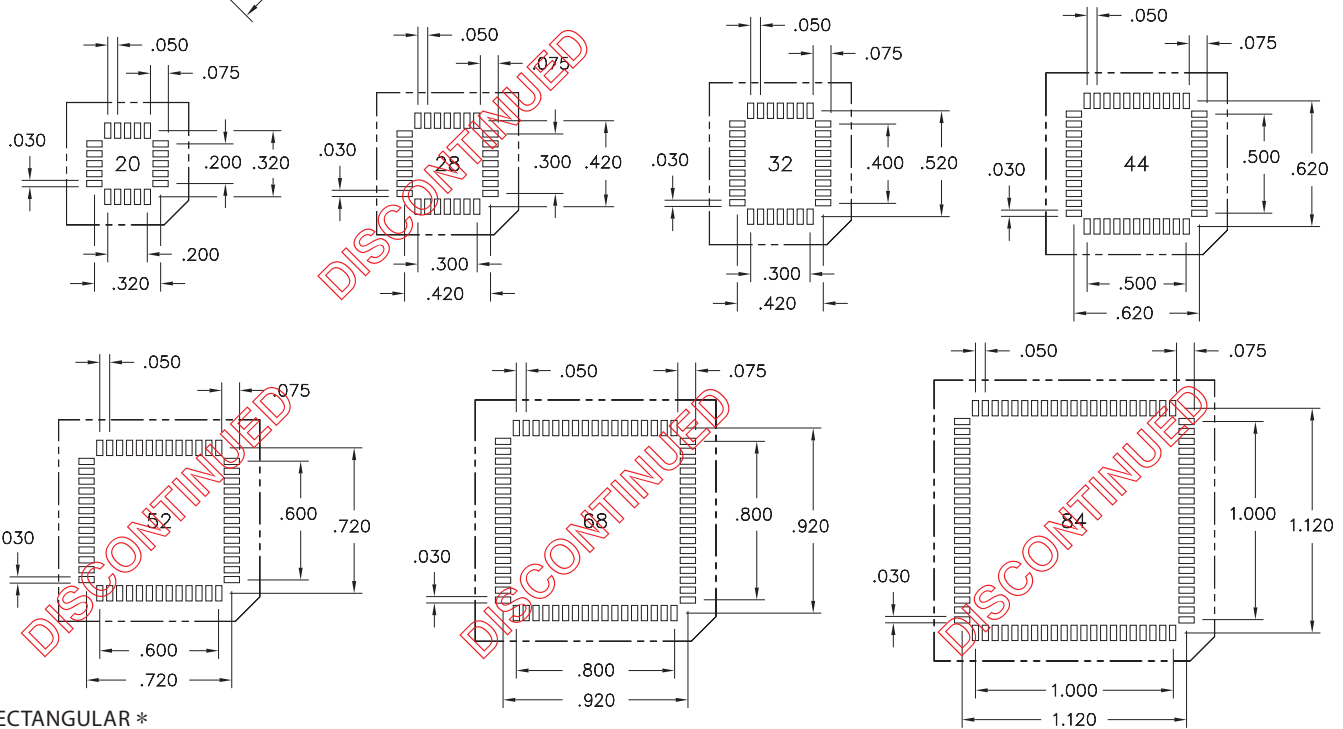
## SERIES 540 • SURFACE MOUNT



- Note: Not end stackable
- Designed for JEDEC type devices
- Open frame design in solder area improves results of IR soldering and facilitates visual inspection of solder pads
- Contacts are plated with 150 μ" tin
- The insulator is molded PPS (Ryton R-4)
- For Electrical, Mechanical and Environmental Data, see page 141 for details



### PCB LAYOUT FOR SURFACE MOUNT



RECTANGULAR \*

Number of Contacts	Ordering Information	- A1 -	- A2 -	- C1 -	- C2 -	- E -	- H -	Qty. per Tube	Tape Width mm	Qty. per Reel
20	540-44-020-17-40000X	0.200	0.200	0.585	0.585	0.657	0.180	34	24	490
28	540-44-028-17-40000X	0.300	0.300	0.685	0.685	0.799	0.180	29	32	400
32 *	540-44-032-17-40000X *	0.300	0.400	0.670	0.770	0.885	0.148	26	32	400
44	540-44-044-17-40000X	0.500	0.500	0.885	0.885	1.082	0.180	22	44	250
52	540-44-052-17-40000X	0.600	0.600	1.000	1.000	1.224	0.180	20	44	250
68	540-44-068-17-40000X	0.800	0.800	1.202	1.202	1.507	0.180	16	44	220
84	540-44-084-17-40000X	1.000	1.000	1.400	1.400	1.791	0.180	14	56	200
Packaging Codes: X = 0 (Tubes) X = 4 (Tape & Reel)										



## X-ON Electronics

Largest Supplier of Electrical and Electronic Components

*Click to view similar products for [Mill-Max](#) manufacturer:*

Other Similar products are found below :

[852-10-012-30-001000](#) [310-47-164-41-001000](#) [833-93-034-10-001000](#) [855-22-006-30-001101](#) [399-10-114-10-008000](#) [410-13-204-41-001000](#)  
[499-10-220-10-008000](#) [315-43-109-41-001000](#) [399-10-120-10-007000](#) [0295-0-15-01-06-27-10-0](#) [813-22-016-30-002101](#) [311-43-164-41-001000](#) [310-43-106-40-023000](#) [714-43-164-31-018000](#) [123-93-950-41-001000](#) [123-93-318-41-801000](#) [39503](#) [114-43-210-41-117000](#)  
[801-43-014-10-012000](#) [116-41-422-41-008000](#) [801-93-033-10-001000](#) [399-10-102-10-007000](#) [510-13-084-13-081001](#) [S892-10-010-00-890200](#) [S890-10-004-00-050200](#) [860-10-002-10-002000](#) [3450-0-15-15-18-27-04-0](#) [398-90-104-00-601200](#) [410-13-264-41-001100](#)  
[316-43-107-41-007000](#) [518-91-320-69-129008](#) [110-91-422-41-001](#) [110-93-424-41-105000](#) [5275-1-05-21-00-00-01-0](#) [800-10-032-10-001000](#)  
[214-99-316-01-670800](#) [827-22-072-10-001101](#) [299-43-612-10-002000](#) [804-10-096-10-002000](#) [824-22-064-00-001000](#) [110-93-628-41-801000](#)  
[851-43-010-20-001000](#) [853-43-034-10-001000](#) [115-93-318-41-001000](#) [350-50-117-00-006000](#) [803-93-100-10-001000](#) [8975-0-15-01-21-14-10-0](#) [858-22-006-10-011101](#) [818-22-008-10-004101](#) [115-47-324-41-003000](#)